

PP 440 HF

Reservdelar

Spare parts

Ersatzteile

Pieces de rechange

Piezas de repuesto

Ricambi

Peças sobresselente



PARTS FINDER

**Search Website
by Part Number**



**Search Manual
Library For Parts
Manual & Lookup Part
Numbers – Purchase
or Request Quote**

Search Manuals

Enter your information to help us find the right parts manual for your machine.

* Brand:

* Model:

* Serial:

* Part Number:

SEARCH

**Can't Find Part or
Manual? Request Help
by Manufacturer,
Model & Description**

Parts Order Form

Please fill in the following information to help us find the right part for your machine.

Manufacturer:	<input type="text"/>
Model:	<input type="text"/>
Description:	<input type="text"/>
Part Number:	<input type="text"/>
Quantity:	<input type="text"/>
Notes:	<input type="text"/>

Submit

Discount-Equipment.com is your online resource for quality parts & equipment.

Florida: **561-964-4949** Outside Florida TOLL FREE: **877-690-3101**

Need parts?

Click on this link: <http://www.discount-equipment.com/category/5443-parts/> and choose one of the options to help get the right parts and equipment you are looking for. Please have the machine model and serial number available in order to help us get you the correct parts. If you don't find the part on the website or on one of the online manuals, please fill out the request form and one of our experienced staff members will get back to you with a quote for the right part that your machine needs.

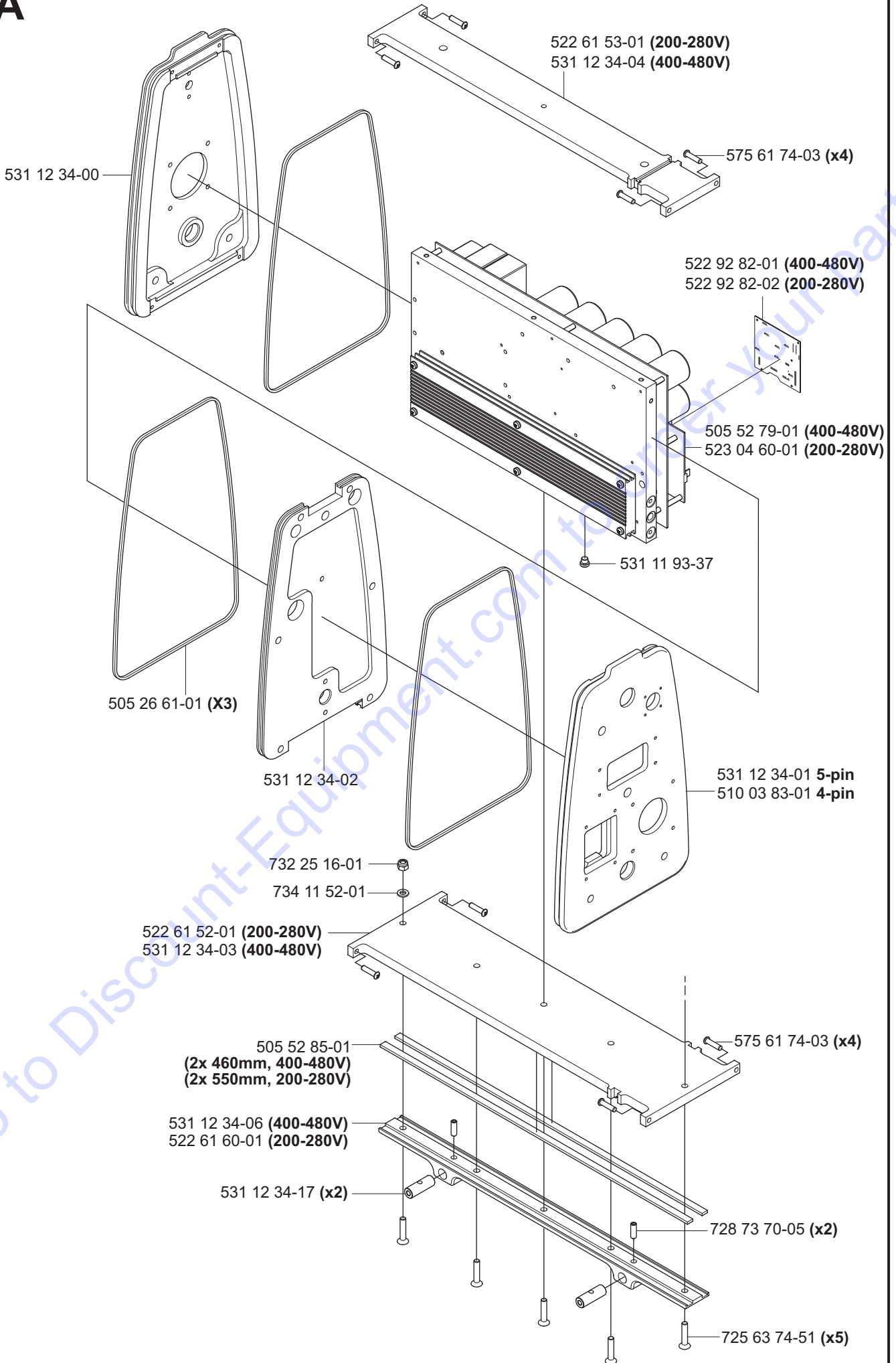
We sell worldwide for the brands: Genie, Terex, JLG, MultiQuip, Mikasa, Essick, Whiteman, Mayco, Toro Stone, Diamond Products, Generac Magnum, Airman, Haulotte, Barreto, Power Blanket, Nifty Lift, Atlas Copco, Chicago Pneumatic, Allmand, Miller Curber, Skyjack, Lull, Skytrak, Tsurumi, Husquvarna Target, Stow, Wacker, Sakai, Mi-T-M, Sullair, Basic, Dynapac, MBW, Weber, Bartell, Bennar Newman, Haulotte, Ditch Runner, Menegotti, Morrison, Contec, Buddy, Crown, Edco, Wyco, Bomag, Laymor, EZ Trench, Bil-Jax, F.S. Curtis, Gehl Pavers, Heli, Honda, ICS/PowerGrit, IHI, Partner, Imer, Clipper, MMD, Koshin, Rice, CH&E, General Equipment, Amida, Coleman, NAC, Gradall, Square Shooter, Kent, Stanley, Tamco, Toku, Hatz, Kohler, Robin, Wisconsin, Northrock, Oztec, Toker TK, Rol-Air, APT, Wylie, Ingersoll Rand / Doosan, Innovatech, Con X, Ammann, Mecalac, Makinex, Smith Surface Prep, Small Line, Wanco, Yanmar

No.	Pos.	Description	No.	Pos.	Description
504 00 40-01	GG1	Type plate	531 11 71-59	GG1	Gasket
504 05 50-01	GG1	Display label	531 11 72-08	B	Personal Safety Guard
505 24 70-01	BF	Shackle	531 11 72-35	B	Contactora 400-480V
505 25 71-01	E	Cable	531 11 72-40	GG1	Gasket
505 26 61-01	A	O-ring	531 11 72-51	GG1	Emergency stop
505 32 70-01	F	Cover	531 11 72-52	GG1	Circuite breaker
505 40 74-01	C	Nipple 3/8"	531 11 73-20	F	Contact pin 2,5mm ²
505 46 11-01	B	Emergency stop	531 11 73-62	F	Contact pin
505 46 12-01	B	Adapter	531 11 80-03	C	Quick coupling, female 1800 uv
505 46 13-01	B	Contact	531 11 80-05	C	Nipple 1812
505 52 62-01	B	Gasket kit	531 11 80-18	C	Ball valve 3/8
505 52 64-01	B	Switch	531 11 82-19	C	Quick coupling, female 1300 UV
505 52 67-01	B	Protctive shutter	531 11 83-54	C	Nipple 18110 with net
505 52 68-01	B	Socket	531 11 90-14	C	Hose clamp 13-20
505 52 69-01	B	Cable grommet M16	531 11 90-18	B	Distance
505 52 69-02	B	Cable grommet M20	531 11 91-26	GG1	Strap
505 52 69-03	B	Cable grommet M25	531 11 92-08	B	Screw
505 52 72-01	D	Handle	531 11 92-60	B	Washer
505 52 73-01	C	Water valve	531 11 92-85	G1	Distance
505 52 74-01	B	Transformer 400-480V	531 11 93-37	A	Plug
505 52 76-01	E	Cable kit	531 11 93-89	B	Screw MLC6S 5x10
505 52 77-01	E	Cable kit	531 11 95-86	B	Screw MRX M3x5
505 52 78-01	E	Cable kit	531 12 32-48	F	Cable
505 52 79-01	A	Printed circuit assembly	531 12 32-48	F	Cable
505 52 82-01	B	Distance	531 12 33-61	D	Bumper
505 52 83-01	B	Screw MC6S 4x5	531 12 33-62	B	Attachment plate
505 52 84-01	B	Ventilating valve	531 12 34-00	A	End cover inlet side
505 52 85-01	A	Sealing strip	531 12 34-01	A	End cover outlet side 5-pin
505 52 87-01	BF	Consol 6-pole	531 12 34-02	A	Partition
505 52 88-01	BF	Consol 3-pole	531 12 34-03	A	Base plate
505 52 89-01	B	Frame	531 12 34-04	A	Upper support
505 52 92-01	B	Contact housing	531 12 34-05	D	Cover strip upper
505 56 87-01	C	Water connection	531 12 34-06	A	Cover strip lower
506 60 03-01	B	Attachment plate	531 12 34-09	B	Conduit entry
506 74 83-01	C	Valve Assembled	531 12 34-10	C	Water inlet connection
510 03 83-01	A	End cover outlet side 5-pin 4-pin	531 12 34-11	C	Distance coupling
522 52 50-01	B	Plate	531 12 34-12	C	Clamping washer
522 61 52-01	A	Base plate	531 12 34-13	C	Water connection
522 61 53-01	A	Upper support	531 12 34-15	D	Box side
522 61 59-01	D	Gable top	531 12 34-16	D	Foot
522 61 60-01	A	Cover strip lower	531 12 34-17	A	Locking sleeve
522 61 61-01	D	Box side	531 14 20-11	GG1	Control plate
522 92 82-01	A	Printed circuit assy 400-480V	531 14 20-13	GG1	Potentiometer nut
522 92 82-02	A	Printed circuit assy 200-280V	531 14 20-62	GG1	Remote box
522 93 07-01	F	Module 6-pin	531 14 20-92	G1	Charger cable
522 93 08-01	F	Contact pin 0,75mm ²	574 02 85-01	BG1	Radio card
522 93 14-01	F	Housing	574 18 48-01	C	Bracket
522 93 15-01	F	Frame	574 24 65-01	B	Angle bracket
522 93 17-01	F	Contact pin	575 33 54-01	B	Cover
522 93 18-01	F	Contact pin	575 61 74-01	B	Screw
522 93 20-01	F	Housing	575 61 74-02	B	Screw
522 93 21-01	F	Module 3-pin	575 61 74-03	ABD	Screw
522 93 22-01	F	Contact pin	575 64 71-01	B	Lamp
522 93 41-01	F	Pliar	575 95 08-01	F	Cable grommet
522 93 43-01	F	Removal tool	577 62 68-01	B	Main board PP440/480HF v2.5
522 93 44-01	F	Removal tool	577 62 69-01	GG1	Control board PP440/480HF v2.4
523 04 59-01	B	Adapter	577 62 70-01	G1	Control b. PP440/480HF v2.31
523 04 60-01	A	Printed circuit assy 200-280V	577 62 70-02	G1	Control b. PP440/480HF v2.32
523 04 61-01	B	Transformer 200-280V	577 63 29-01	B	Main board PP440HF v2.3
525 58 22-01	D	Distance	577 63 36-01	B	Main board PP440/480HF v2.4
531 11 50-12	GG1	Can bus cable 6m	577 63 37-01	B	Main board PP440/480HF v2.41
531 11 51-83	GG1	Potentiometer knob compl.	577 63 38-01	G	Control board PP440HF v2.2
531 11 52-38	G1	Battery charger	577 63 60-01	G	Remote control PP440HF v2.2
531 11 70-34	GG1	Cannon connector	577 63 61-01	G1	Remote c. PP440/480HF v2.31
531 11 70-67	GG1	Connection block NO	577 63 61-02	G1	Remote c. PP440/480HF v2.32
531 11 70-68	B	Contactora 200-280V	577 63 62-01	G	Remote c. PP440HF v2.4
531 11 70-96	GG1	Potentiometer remote control	577 65 21-01	G1	Remote c. PP440/480HF v2.4
531 11 71-44	GG1	Push-button	723 12 20-01	B	Screw MCS 3x6
531 11 71-52	B	Electric inlet 32A 400V	723 12 24-01	GG1	Screw MCS 3x10
531 11 71-53	B	Electric inlet 63A 200-280V	723 12 91-01	B	Screw MCS 4x12

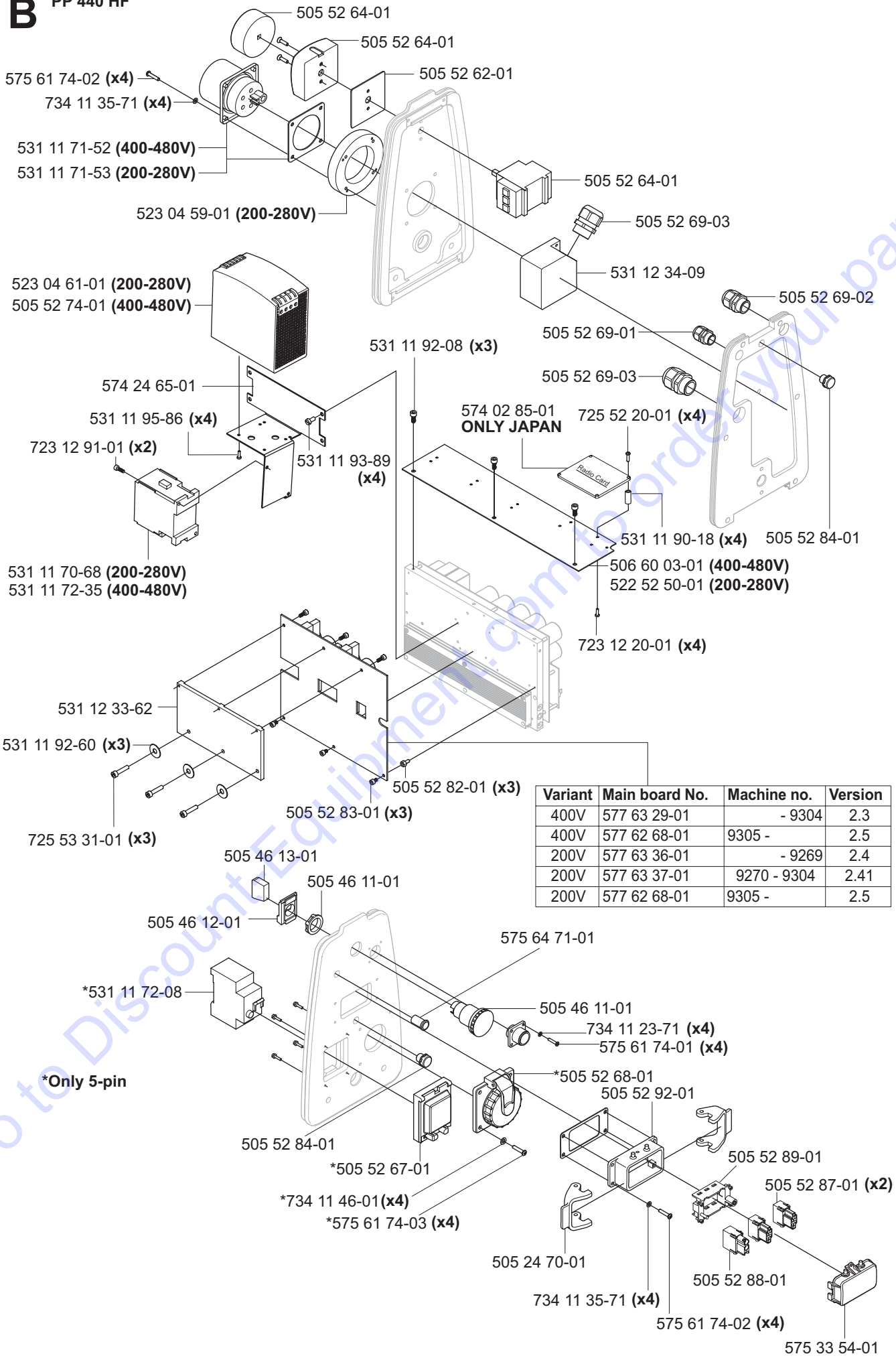
No.	Pos.	Description	No.	Pos.	Description
723 52 28-01	GG1	Screw MFS 3x16			
725 52 20-01	B	Screw MC6S 3x6			
725 52 85-01	C	Screw MC6S 4x6			
725 53 29-01	C	Screw MC6S M5x16			
725 53 31-01	B	Screw MC6S 5x20			
725 53 33-01	C	Screw MC6S 5x25			
725 53 78-01	D	Screw MC6S 6x40			
725 54 63-01	D	Screw MC6S 8x60			
725 54 69-51	D	Screw MC6S 8x90			
725 63 74-51	A	Screw MF6S 6x30 10.9			
725 64 91-01	D	Screw MF6S 10x20			
728 73 70-05	A	Stop screw S6SS 6x20			
731 23 10-01	GG1	Nut M3			
732 25 16-01	A	Nut M6 Nylock			
732 25 18-01	D	Nut M8 Nylock			
734 11 23-71	B	Washer 3.2x6			
734 11 35-71	BC	Washer 4.3x8			
734 11 46-01	BC	Washer 5,3x10x1			
734 11 52-01	AD	Washer 6.4x12			
734 11 63-01	D	Washer 8.4x16			
740 38 27-01	C	Sealing ring 1/4			
740 42 08-00	C	O-ring 10,1x1,6			
740 42 17-00	GG1	O-ring 19,1x1,6			
740 43 09-00	B	O-ring 11,3x2,4			
740 43 13-00	C	O-ring 15,3x2,4			

Go to Discount-Equipment.com to order your parts

A PP 440 HF



B PP 440 HF



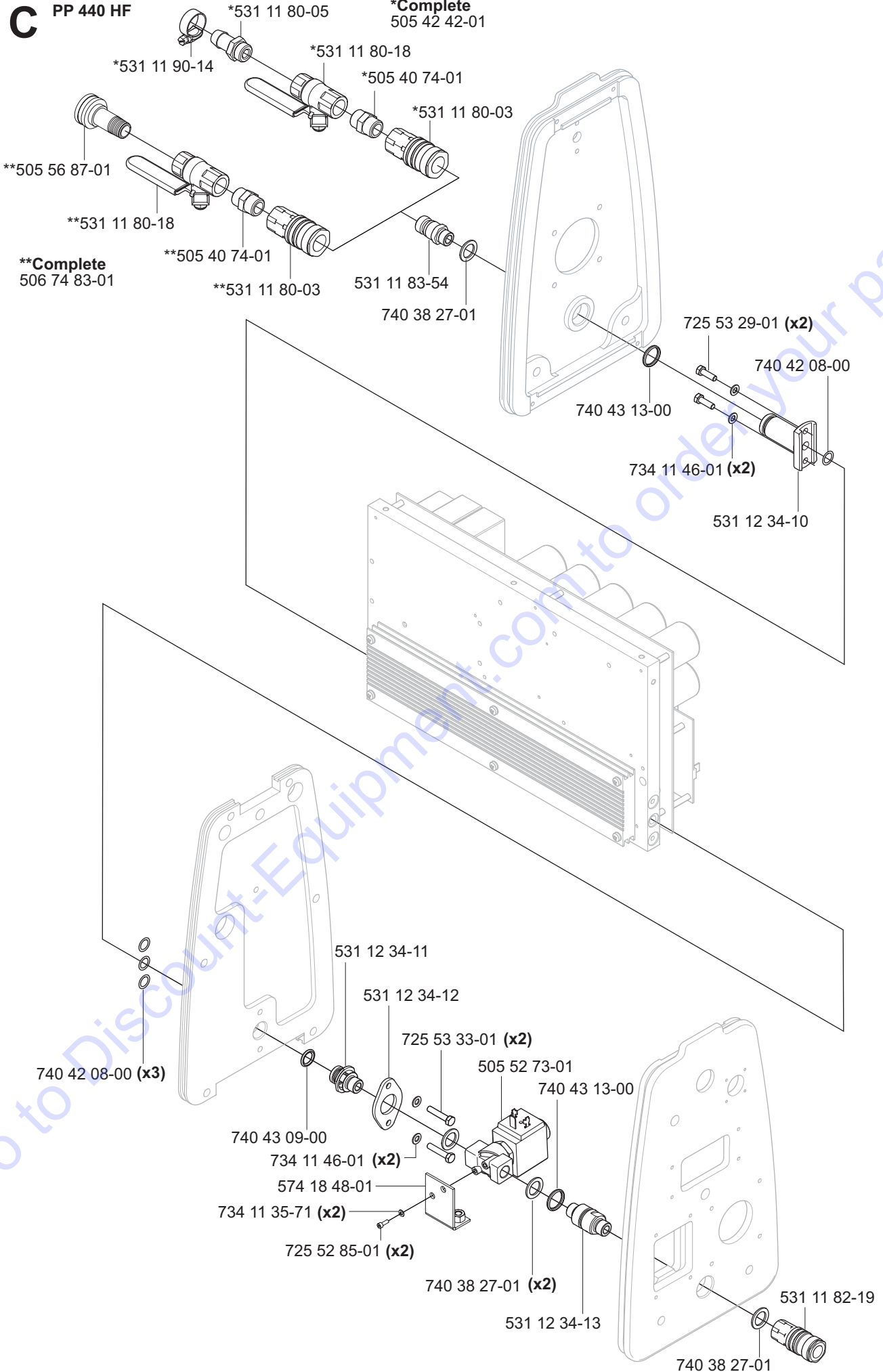
Variant	Main board No.	Machine no.	Version
400V	577 63 29-01	- 9304	2.3
400V	577 62 68-01	9305 -	2.5
200V	577 63 36-01	- 9269	2.4
200V	577 63 37-01	9270 - 9304	2.41
200V	577 62 68-01	9305 -	2.5

*Only 5-pin

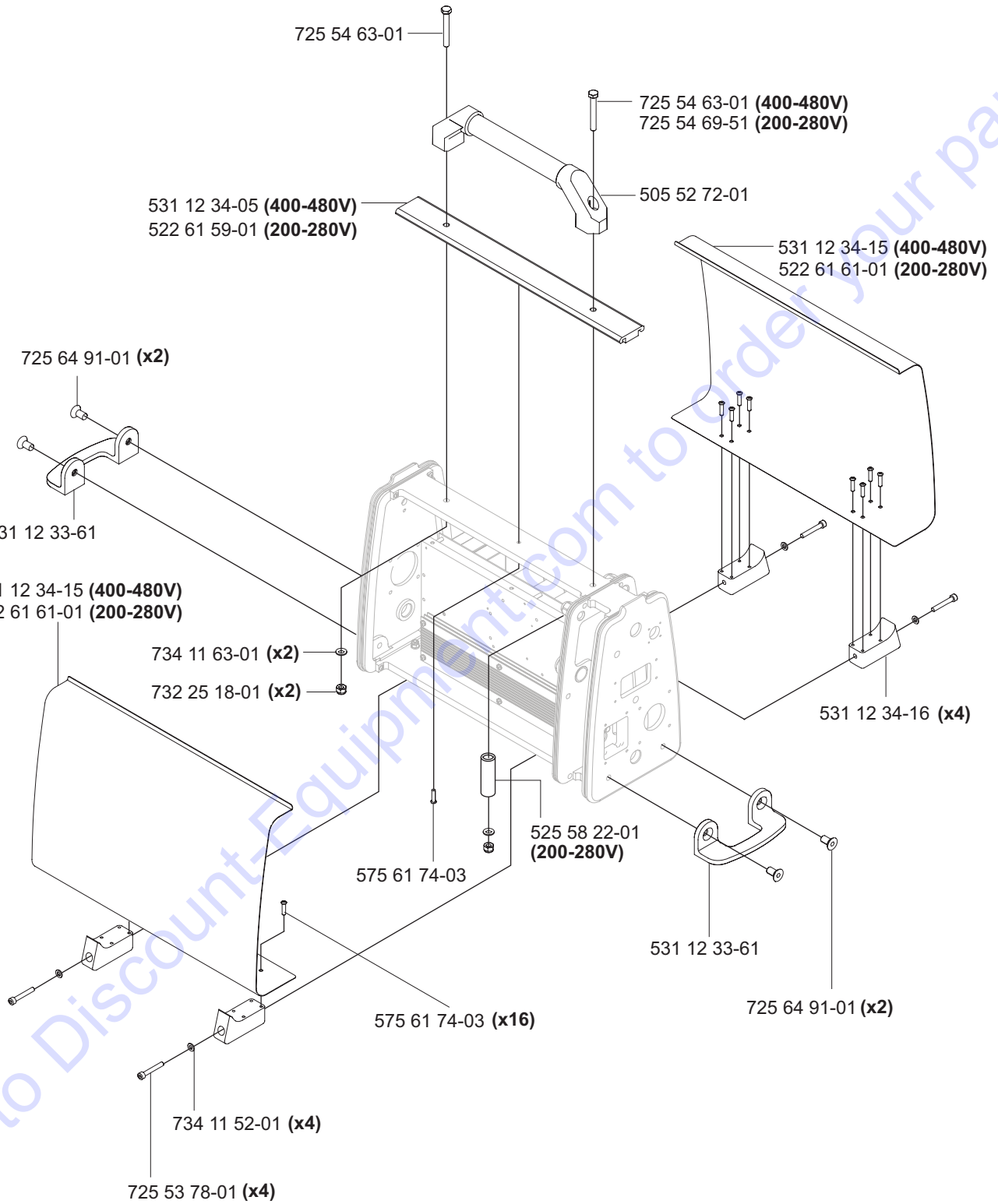
C

PP 440 HF

***Complete**
505 42 42-01



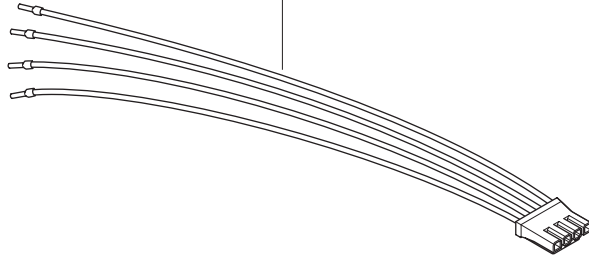
D PP 440 HF



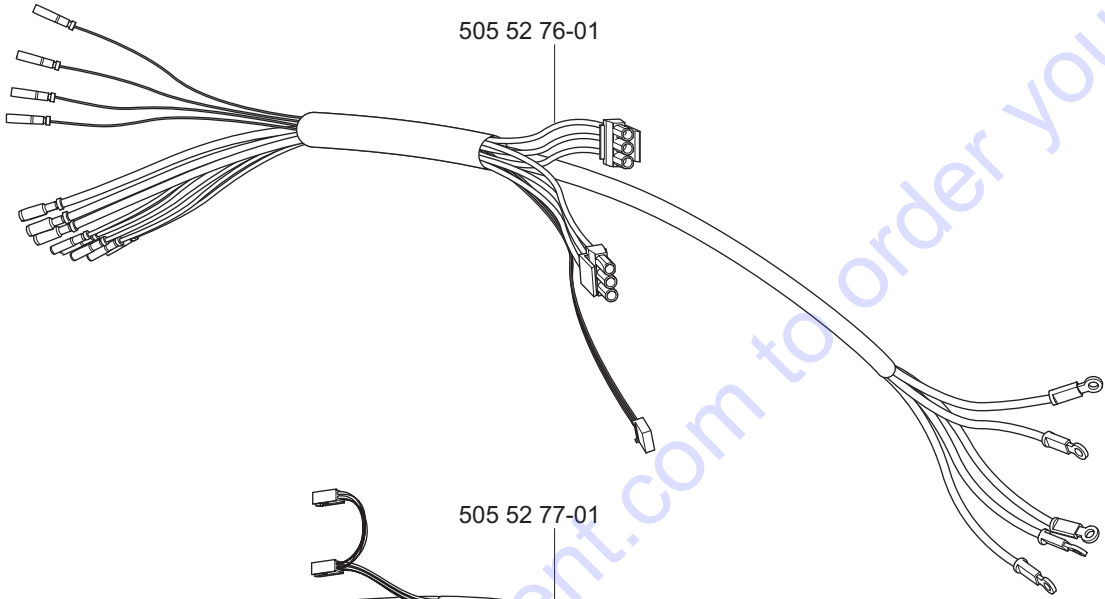
E

PP 440 HF

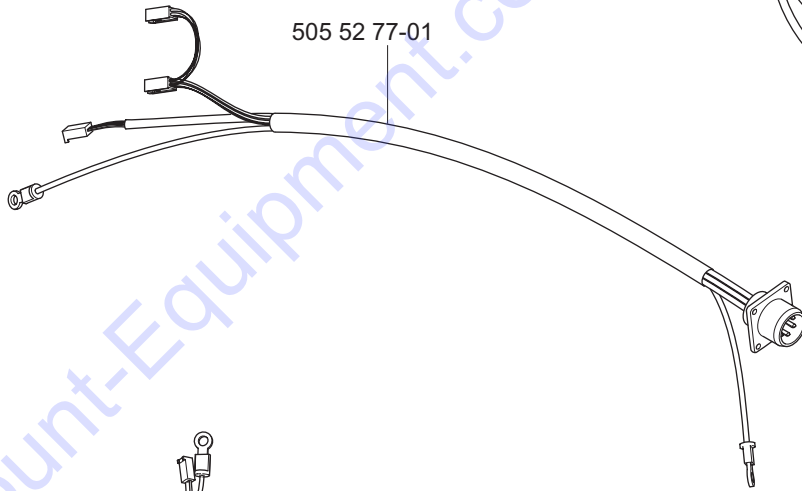
505 25 71-01



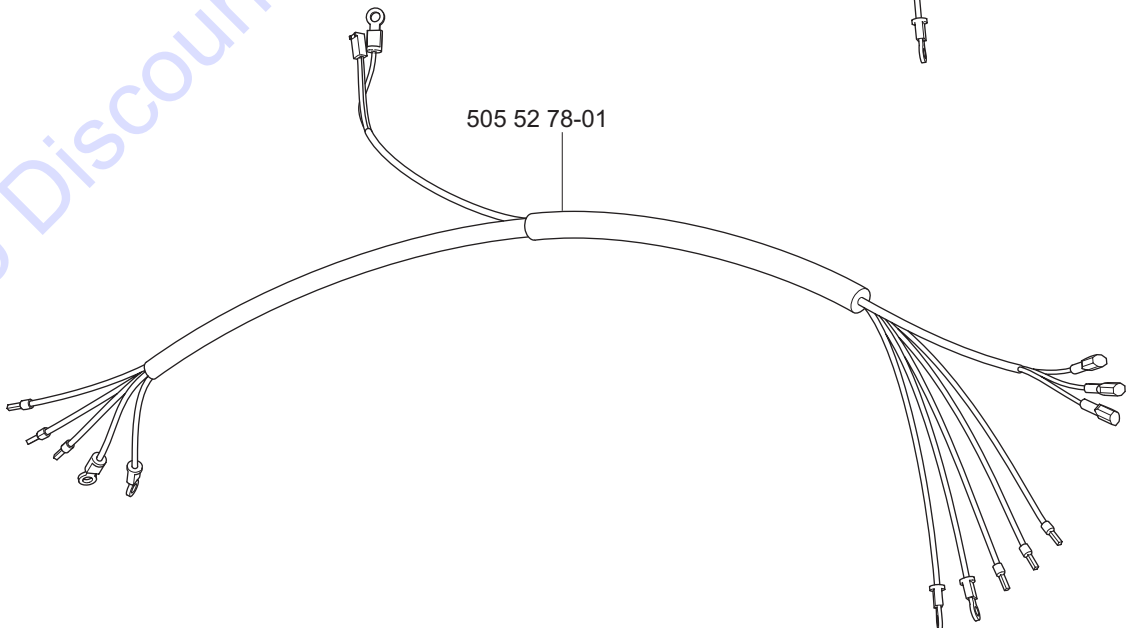
505 52 76-01



505 52 77-01



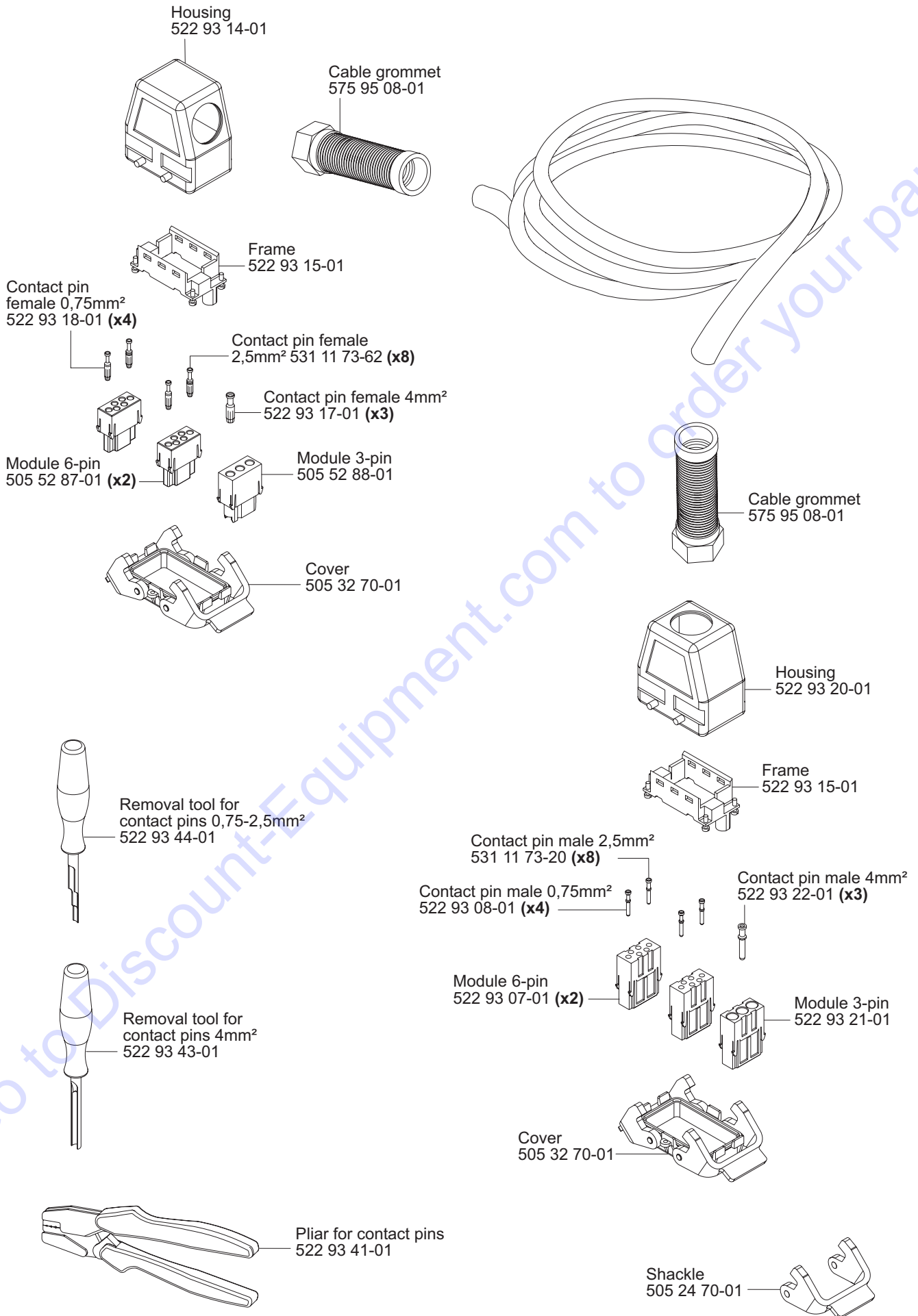
505 52 78-01



Go to Discount-Equipment.com to order your parts

F PP 440 HF

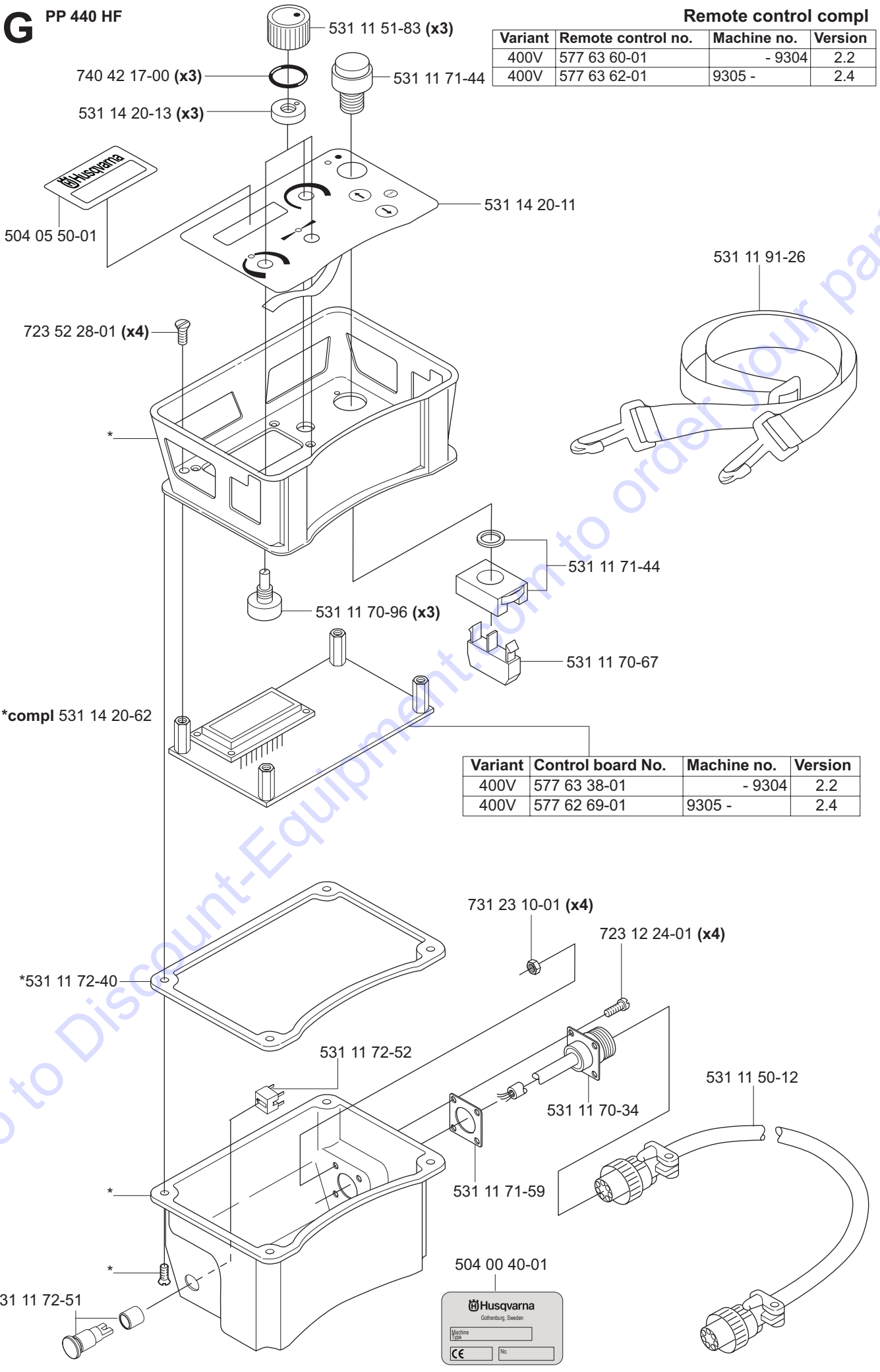
Cable complete 531 12 32-48



G PP 440 HF

Remote control compl

Variant	Remote control no.	Machine no.	Version
400V	577 63 60-01	- 9304	2.2
400V	577 63 62-01	9305 -	2.4



504 05 50-01

740 42 17-00 (x3)

531 14 20-13 (x3)

531 11 51-83 (x3)

531 11 71-44

531 14 20-11

531 11 91-26

723 52 28-01 (x4)

*

531 11 71-44

531 11 70-96 (x3)

531 11 70-67

*compl 531 14 20-62

Variant	Control board No.	Machine no.	Version
400V	577 63 38-01	- 9304	2.2
400V	577 62 69-01	9305 -	2.4

*531 11 72-40

731 23 10-01 (x4)

723 12 24-01 (x4)

531 11 72-52

531 11 70-34

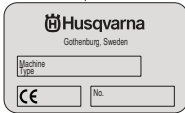
531 11 50-12

*

531 11 71-59

531 11 72-51

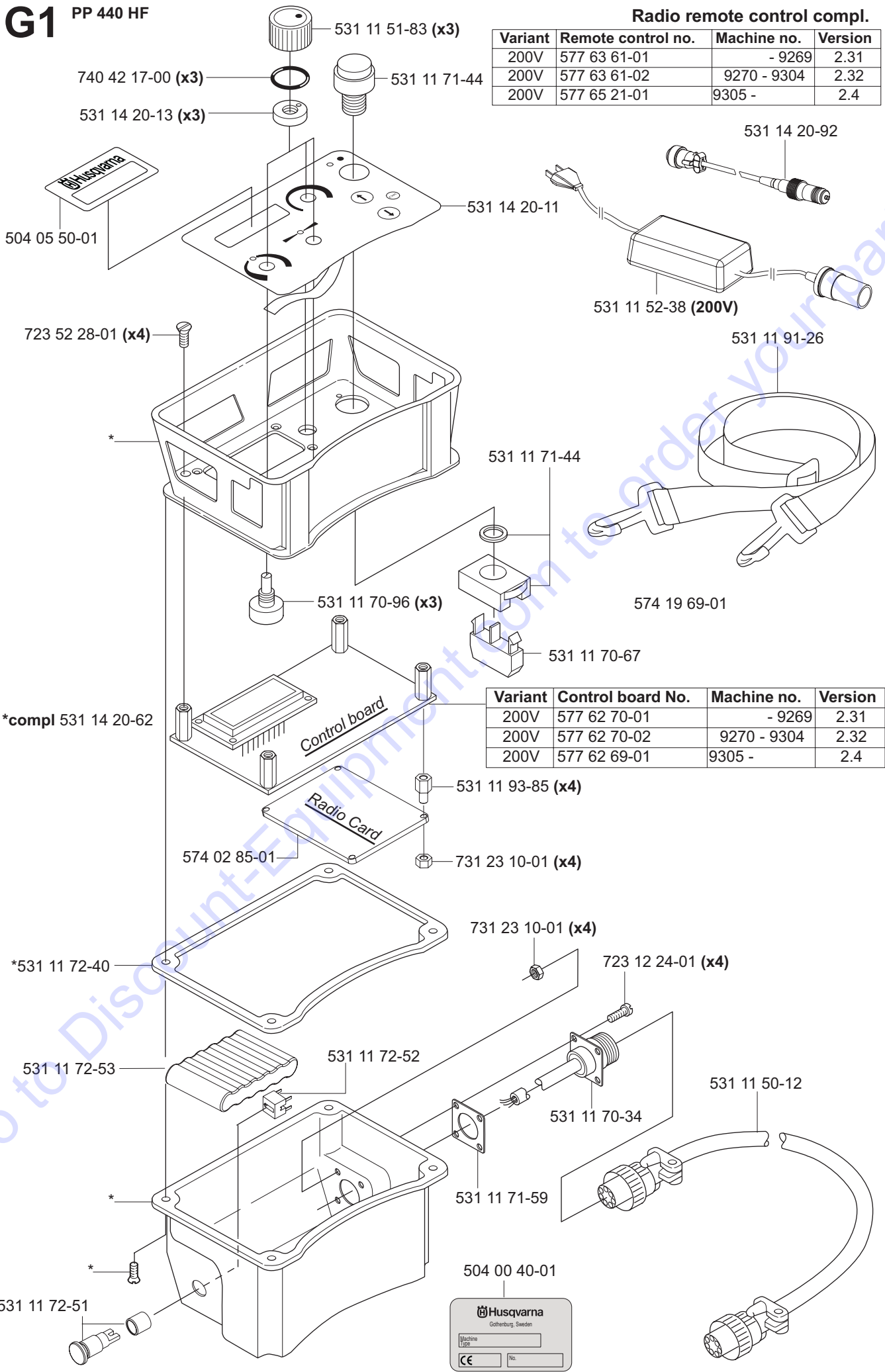
504 00 40-01



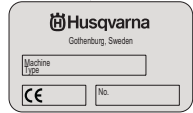
G1 PP 440 HF

Radio remote control compl.

Variant	Remote control no.	Machine no.	Version
200V	577 63 61-01	- 9269	2.31
200V	577 63 61-02	9270 - 9304	2.32
200V	577 65 21-01	9305 -	2.4



Variant	Control board No.	Machine no.	Version
200V	577 62 70-01	- 9269	2.31
200V	577 62 70-02	9270 - 9304	2.32
200V	577 62 69-01	9305 -	2.4



PARTS FINDER

**Search Website
by Part Number**



**Search Manual
Library For Parts
Manual & Lookup Part
Numbers – Purchase
or Request Quote**

Search Manuals

Enter your information to help us find the right parts manual for your machine.

* Brand:

* Model:

* Serial:

* Part Number:

SEARCH

**Can't Find Part or
Manual? Request Help
by Manufacturer,
Model & Description**

Parts Order Form

Please fill in the following information to help us find the right part for your machine.

Manufacturer:	<input type="text"/>
Model:	<input type="text"/>
Description:	<input type="text"/>
Part Number:	<input type="text"/>
Quantity:	<input type="text"/>
Notes:	<input type="text"/>

Discount-Equipment.com is your online resource for quality parts & equipment.

Florida: **561-964-4949** Outside Florida TOLL FREE: **877-690-3101**

Need parts?

Click on this link: <http://www.discount-equipment.com/category/5443-parts/> and choose one of the options to help get the right parts and equipment you are looking for. Please have the machine model and serial number available in order to help us get you the correct parts. If you don't find the part on the website or on one of the online manuals, please fill out the request form and one of our experienced staff members will get back to you with a quote for the right part that your machine needs.

We sell worldwide for the brands: Genie, Terex, JLG, MultiQuip, Mikasa, Essick, Whiteman, Mayco, Toro Stone, Diamond Products, Generac Magnum, Airman, Haulotte, Barreto, Power Blanket, Nifty Lift, Atlas Copco, Chicago Pneumatic, Allmand, Miller Curber, Skyjack, Lull, Skytrak, Tsurumi, Husquvarna Target, Stow, Wacker, Sakai, Mi-T-M, Sullair, Basic, Dynapac, MBW, Weber, Bartell, Bennar Newman, Haulotte, Ditch Runner, Menegotti, Morrison, Contec, Buddy, Crown, Edco, Wyco, Bomag, Laymor, EZ Trench, Bil-Jax, F.S. Curtis, Gehl Pavers, Heli, Honda, ICS/PowerGrit, IHI, Partner, Imer, Clipper, MMD, Koshin, Rice, CH&E, General Equipment, Amida, Coleman, NAC, Gradall, Square Shooter, Kent, Stanley, Tamco, Toku, Hatz, Kohler, Robin, Wisconsin, Northrock, Oztec, Toker TK, Rol-Air, APT, Wylie, Ingersoll Rand / Doosan, Innovatech, Con X, Ammann, Mecalac, Makinex, Smith Surface Prep, Small Line, Wanco, Yanmar