

PP 440 HF

Reservdelar

Spare parts

Ersatzteile

Pieces de rechange

Piezas de repuesto

Ricambi

Peças sobresselente



PARTS FINDER

**Search Website
by Part Number**



**Search Manual
Library For Parts
Manual & Lookup Part
Numbers – Purchase
or Request Quote**

Search Manuals

Enter your information to help us find the right parts manual for your machine.

* Brand:

* Model:

* Serial:

* Part Number:

SEARCH

**Can't Find Part or
Manual? Request Help
by Manufacturer,
Model & Description**

Parts Order Form

Please fill in the following information to help us find the right part for your machine.

Manufacturer:	<input type="text"/>
Model:	<input type="text"/>
Description:	<input type="text"/>
Part Number:	<input type="text"/>
Quantity:	<input type="text"/>
Notes:	<input type="text"/>
Submit	<input type="button" value="Submit"/>

Discount-Equipment.com is your online resource for quality parts & equipment.

Florida: **561-964-4949** Outside Florida TOLL FREE: **877-690-3101**

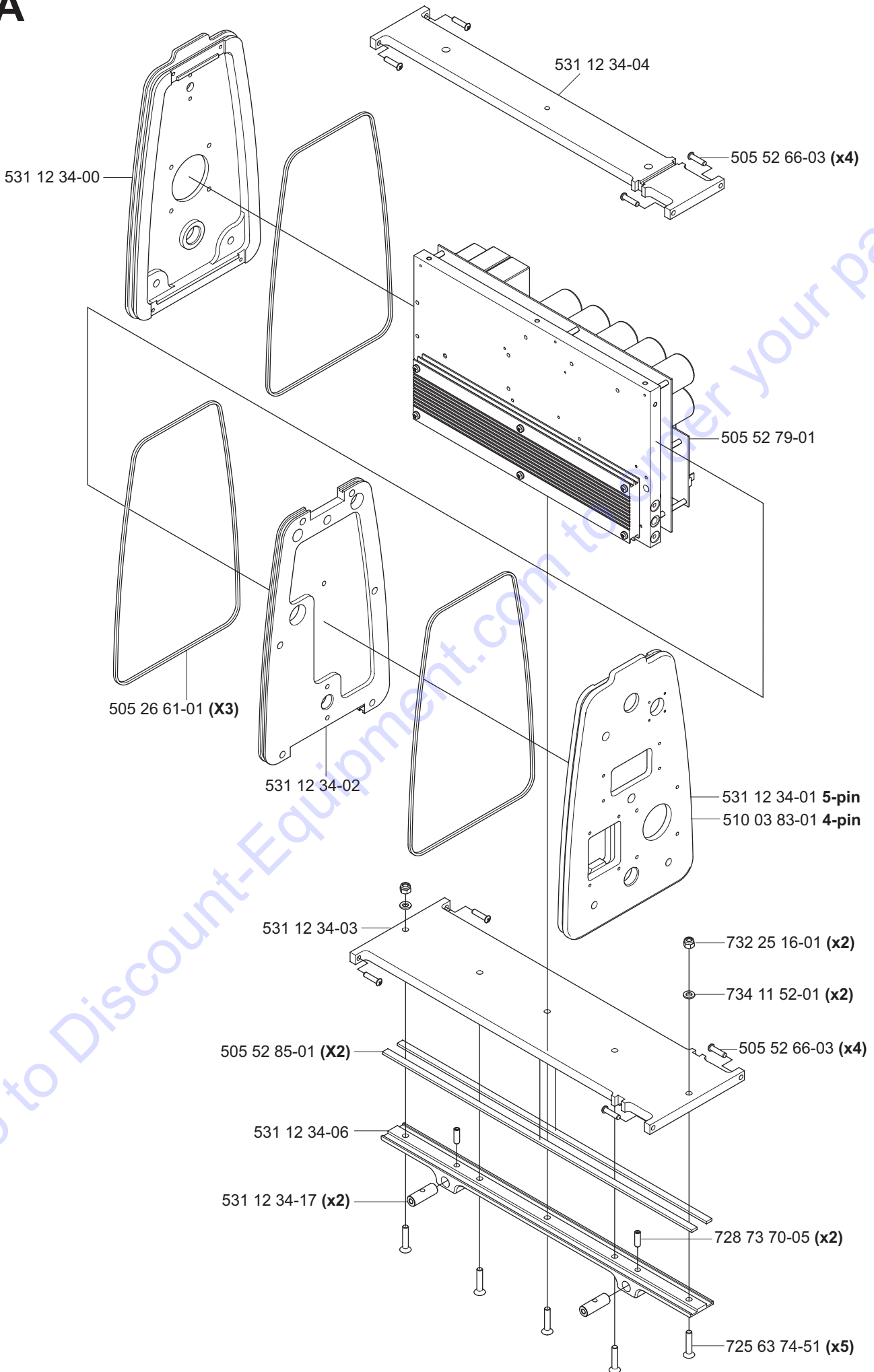
Need parts?

Click on this link: <http://www.discount-equipment.com/category/5443-parts/> and choose one of the options to help get the right parts and equipment you are looking for. Please have the machine model and serial number available in order to help us get you the correct parts. If you don't find the part on the website or on one of the online manuals, please fill out the request form and one of our experienced staff members will get back to you with a quote for the right part that your machine needs.

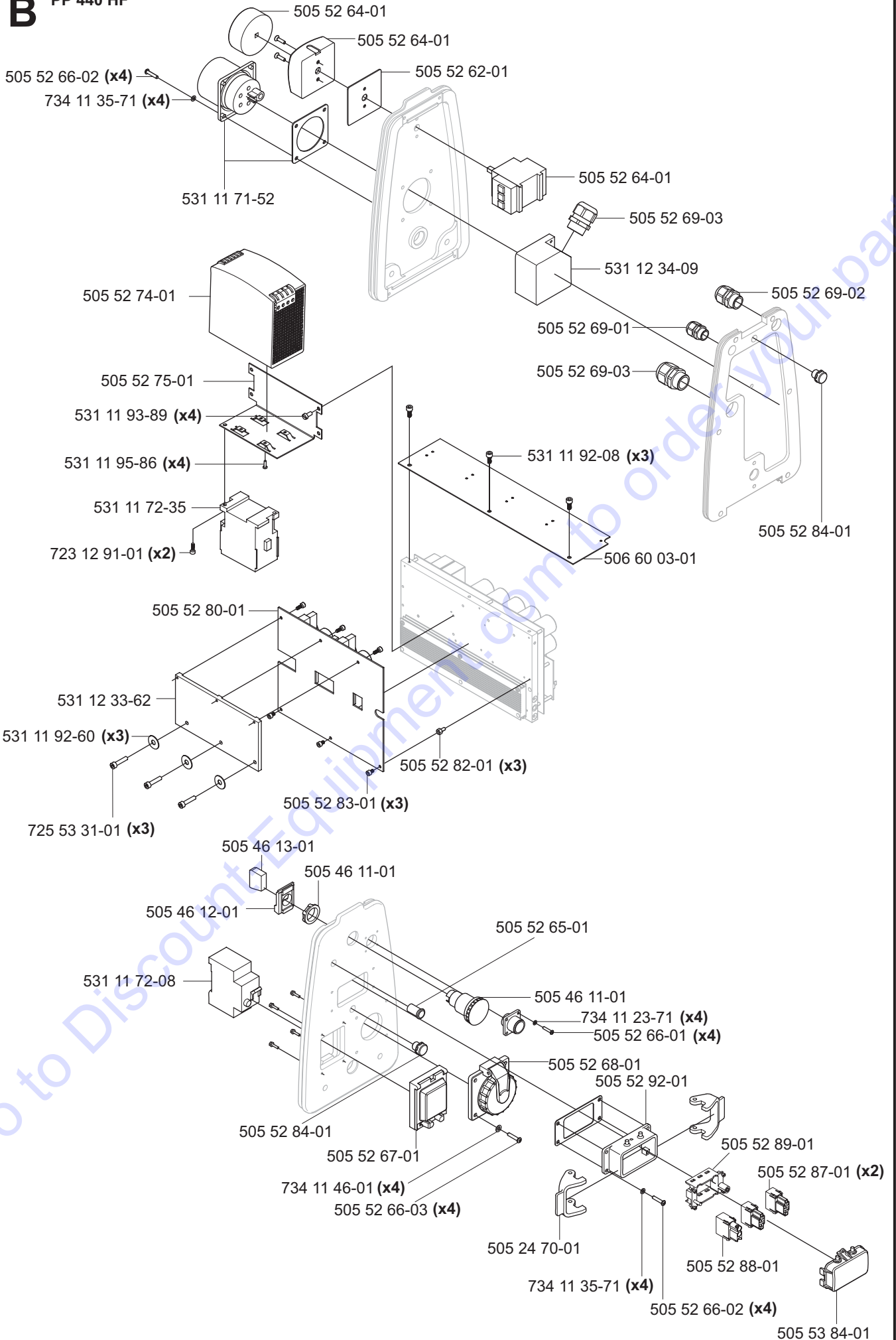
We sell worldwide for the brands: Genie, Terex, JLG, MultiQuip, Mikasa, Essick, Whiteman, Mayco, Toro Stone, Diamond Products, Generac Magnum, Airman, Haulotte, Barreto, Power Blanket, Nifty Lift, Atlas Copco, Chicago Pneumatic, Allmand, Miller Curber, Skyjack, Lull, Skytrak, Tsurumi, Husquvarna Target, Stow, Wacker, Sakai, Mi-T-M, Sullair, Basic, Dynapac, MBW, Weber, Bartell, Bennar Newman, Haulotte, Ditch Runner, Menegotti, Morrison, Contec, Buddy, Crown, Edco, Wyco, Bomag, Laymor, EZ Trench, Bil-Jax, F.S. Curtis, Gehl Pavers, Heli, Honda, ICS/PowerGrit, IHI, Partner, Imer, Clipper, MMD, Koshin, Rice, CH&E, General Equipment, Amida, Coleman, NAC, Gradall, Square Shooter, Kent, Stanley, Tamco, Toku, Hatz, Kohler, Robin, Wisconsin, Northrock, Oztec, Toker TK, Rol-Air, APT, Wylie, Ingersoll Rand / Doosan, Innovatech, Con X, Ammann, Mecalac, Makinex, Smith Surface Prep, Small Line, Wanco, Yanmar

No.	Pos.	Description	No.	Pos.	Description
504 00 40-01	F	Type plate	531 12 33-61	D	Bumper
504 05 50-01	F	Display label	531 12 33-62	B	Attachment plate
505 24 70-01	B	Shackle	531 12 34-00	A	End cover inlet side
505 25 71-01	E	Cable	531 12 34-01	A	End cover outlet side 5-pin
505 26 61-01	A	O-ring	531 12 34-02	A	Partition
505 32 70-01	E	Cover	531 12 34-03	A	Base plate
505 40 74-01	C	Nipple 3/8"	531 12 34-04	A	Upper support
505 46 11-01	B	Emergency stop	531 12 34-05	D	Cover strip upper
505 46 12-01	B	Adapter	531 12 34-06	A	Cover strip lower
505 46 13-01	B	Contact	531 12 34-09	B	Conduit entry
505 52 62-01	B	Gasket kit	531 12 34-10	C	Water inlet connection
505 52 64-01	B	Switch	531 12 34-11	C	Distance coupling
505 52 65-01	B	Lamp	531 12 34-12	C	Clamping washer
505 52 66-01	B	Screw	531 12 34-13	C	Water connection
505 52 66-02	B	Screw	531 12 34-15	D	Box side
505 52 66-03	ABD	Screw	531 12 34-16	D	Foot
505 52 67-01	B	Protctive shutter	531 12 34-17	A	Locking sleeve
505 52 68-01	B	Socket	531 14 20-11	F	Control plate
505 52 69-01	B	Cable grommet M16	531 14 20-13	F	Potentiometer nut
505 52 69-02	B	Cable grommet M20	531 14 20-62	F	Remote box
505 52 69-03	B	Cable grommet M25	723 12 24-01	F	Screw MCS 3x10
505 52 72-01	D	Handle	723 12 91-01	B	Screw MCS 4x12
505 52 73-01	C	Water valve	723 52 28-01	F	Screw MFS 3x16
505 52 74-01	B	Transformer	725 53 29-01	C	Screw MC6S M5x16
505 52 75-01	B	Angle bracket	725 53 31-01	B	Screw MC6S 5x20
505 52 76-01	E	Cable kit	725 53 33-01	C	Screw MC6S 5x25
505 52 77-01	E	Cable kit	725 53 78-01	D	Screw MC6S 6x40
505 52 78-01	E	Cable kit	725 54 63-01	D	Screw MC6S 8x60
505 52 79-01	A	Printed circuit assembly	725 63 74-51	A	Screw MF6S 6x30 10.9
505 52 80-01	B	Printed circuit assembly	725 64 91-01	D	Screw MF6S 10x20
505 52 82-01	B	Distance	728 73 70-05	A	Stop screw S6SS 6x20
505 52 83-01	B	Screw MC6S 4x5	731 23 10-01	F	Nut M3
505 52 84-01	B	Ventilating valve	732 25 16-01	A	Nut M6 Nylock
505 52 85-01	A	Sealing strip	732 25 18-01	D	Nut M8 Nylock
505 52 87-01	B	Consol 6-pole	734 11 23-71	B	Washer 3.2x6
505 52 88-01	B	Consol 3-pole	734 11 35-71	B	Washer 4.3x8
505 52 89-01	B	Frame	734 11 46-01	BC	Washer 5,3x10x1
505 52 92-01	B	Contact housing	734 11 52-01	AD	Washer 6.4x12
505 53 84-01	B	Cover	734 11 63-01	D	Washer 8.4x16
505 56 87-01	C	Water connection	740 38 27-01	C	Sealing ring 1/4
506 00 36-01	F	Remote control complete	740 42 08-00	C	O-ring 10,1x1,6
506 60 03-01	B	Attachment plate	740 42 17-00	F	O-ring 19,1x1,6
506 74 83-01	C	Valve Assembled	740 43 09-00	B	O-ring 11,3x2,4
510 03 83-01	A	End cover outlet side 5-pin 4-pin	740 43 13-00	C	O-ring 15,3x2,4
531 11 50-12	F	Can bus cable 6m			
531 11 51-83	F	Potentiometer knob compl.			
531 11 52-17	F	Control board			
531 11 70-34	F	Cannon connector			
531 11 70-67	F	Connection block NO			
531 11 70-96	F	Potentiometer remote control			
531 11 71-44	F	Push-button			
531 11 71-52	B	Electric inlet 32A 400V			
531 11 71-59	F	Gasket			
531 11 72-08	B	Personal Safety Guard			
531 11 72-35	B	Contactur			
531 11 72-40	F	Gasket			
531 11 72-51	F	Emergency stop			
531 11 72-52	F	Circuite breaker			
531 11 80-03	C	Quick coupling, female 1800 uv			
531 11 80-05	C	Nipple 1812			
531 11 80-18	C	Ball valve 3/8			
531 11 82-19	C	Quick coupling, female 1300 UV			
531 11 83-54	C	Nipple 18110 with net			
531 11 90-14	C	Hose clamp 13-20			
531 11 91-26	F	Strap			
531 11 92-08	B	Screw			
531 11 92-60	B	Washer			
531 11 93-89	B	Screw MLC6S 5x10			
531 11 95-86	B	Screw MRX M3x5			
531 12 32-48	E	Cable			

A PP 440 HF



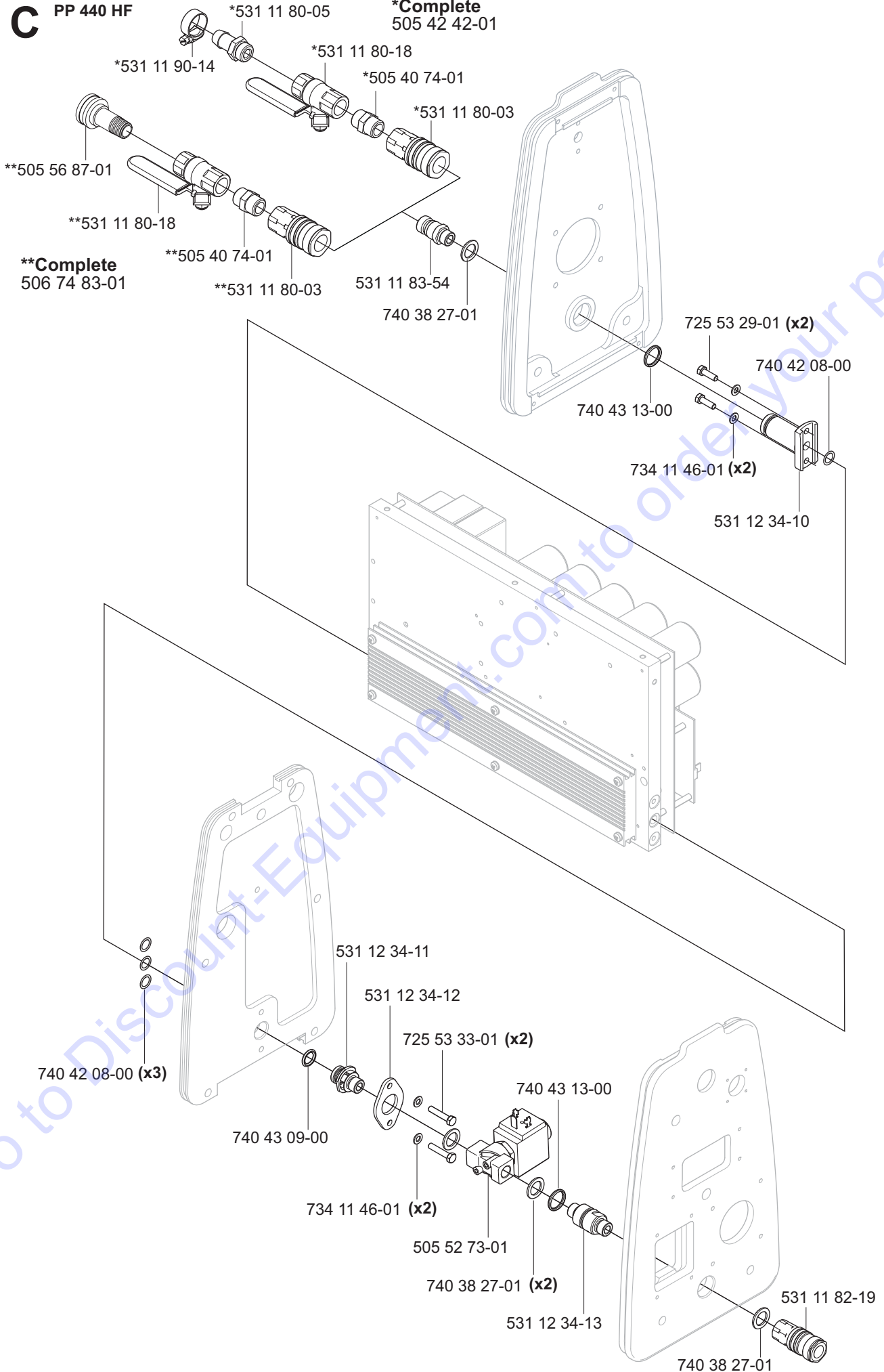
B PP 440 HF



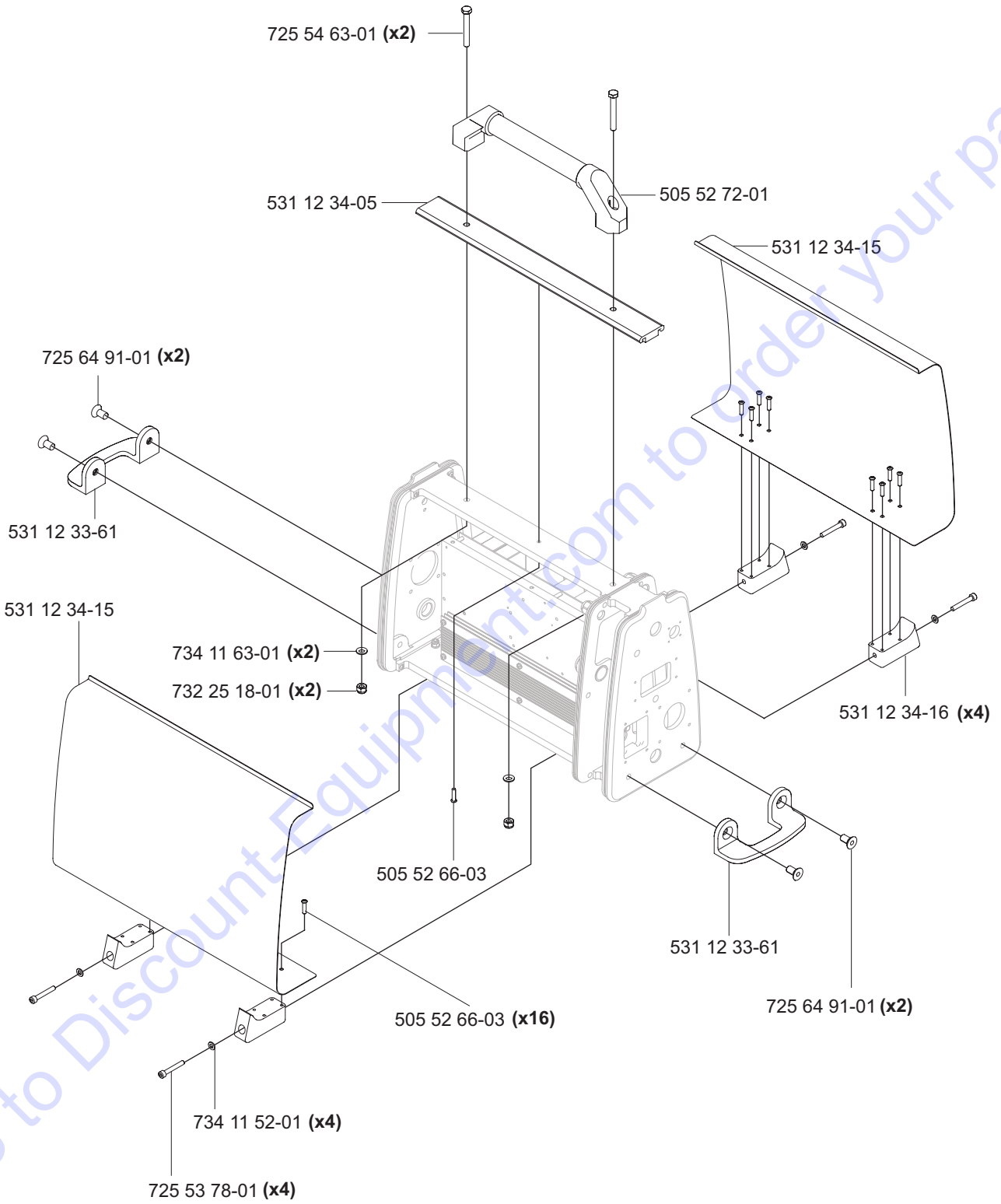
C

PP 440 HF

***Complete**
505 42 42-01

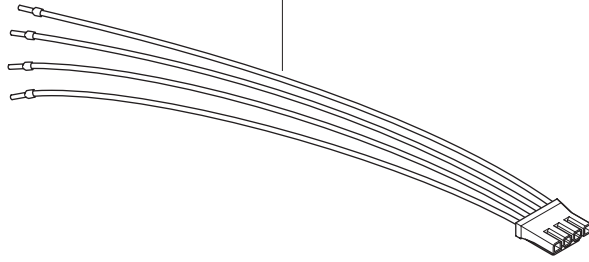


D PP 440 HF

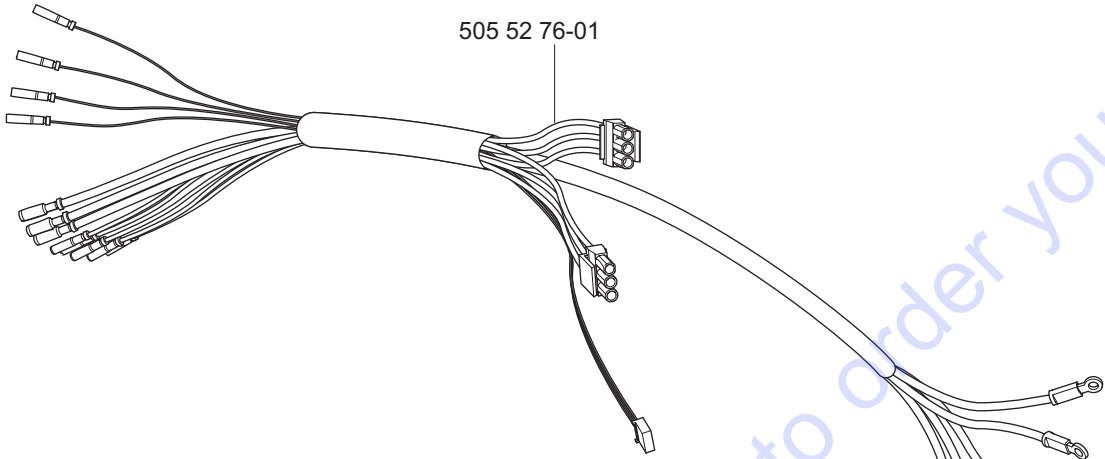


E PP 440 HF

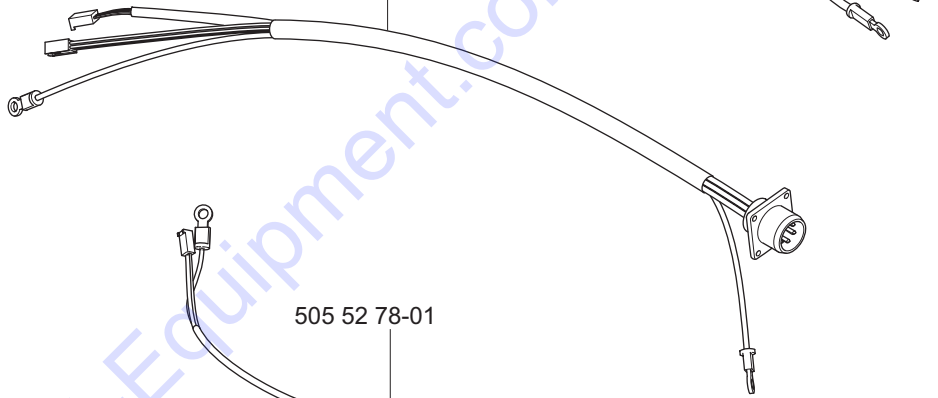
505 25 71-01



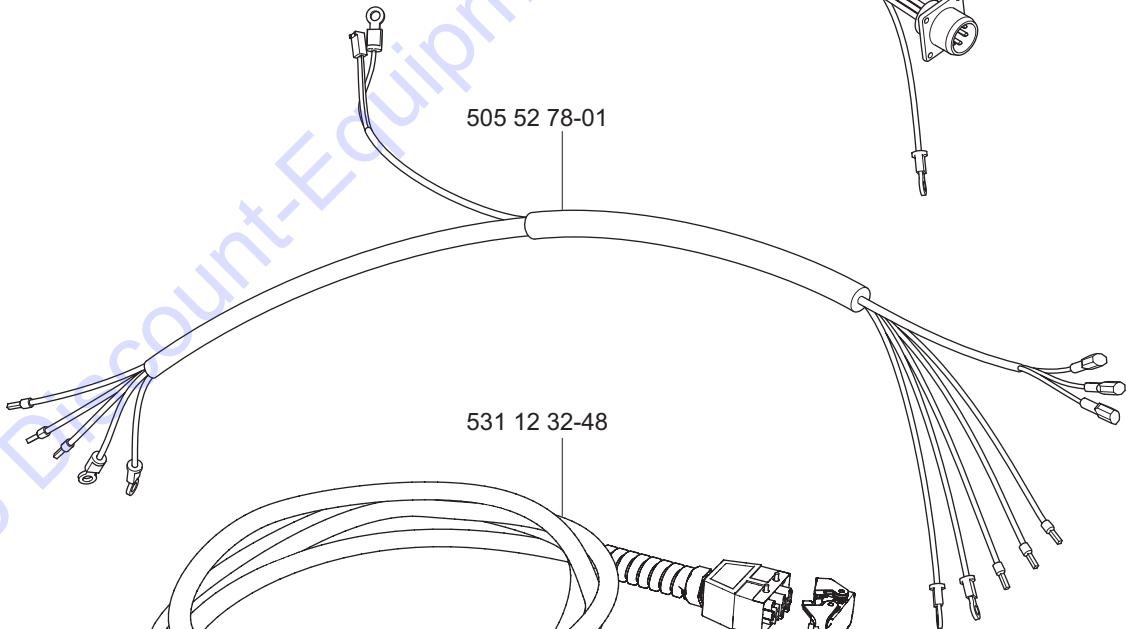
505 52 76-01



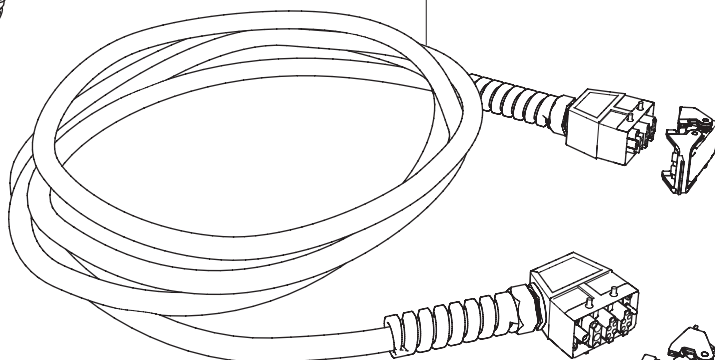
505 52 77-01



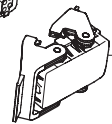
505 52 78-01



531 12 32-48



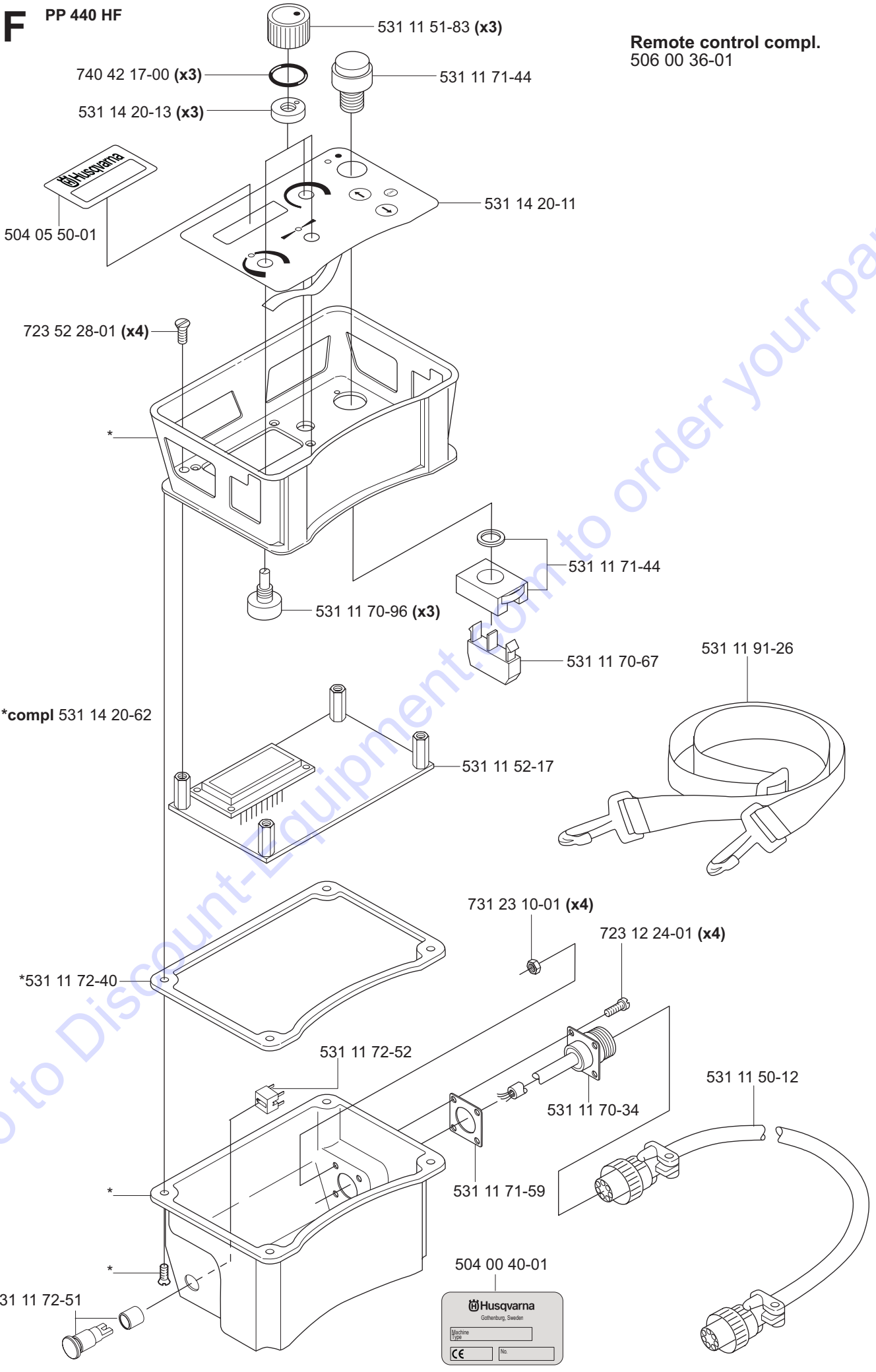
505 32 70-01 (x2)



Go to Discount-Equipment.com to order your parts

F PP 440 HF

Remote control compl.
506 00 36-01



PARTS FINDER

**Search Website
by Part Number**



**Search Manual
Library For Parts
Manual & Lookup Part
Numbers – Purchase
or Request Quote**

Search Manuals

Enter your information to help us find the right manual for your machine.

* Brand:

* Model:

* Serial:

* Part Number:

SEARCH

**Can't Find Part or
Manual? Request Help
by Manufacturer,
Model & Description**

Parts Order Form

Please fill in the following information to help us find the right part for your machine.

Manufacturer:	<input type="text"/>
Model:	<input type="text"/>
Description:	<input type="text"/>
Part Number:	<input type="text"/>
Quantity:	<input type="text"/>
Notes:	<input type="text"/>

Submit

Discount-Equipment.com is your online resource for quality parts & equipment.

Florida: **561-964-4949** Outside Florida TOLL FREE: **877-690-3101**

Need parts?

Click on this link: <http://www.discount-equipment.com/category/5443-parts/> and choose one of the options to help get the right parts and equipment you are looking for. Please have the machine model and serial number available in order to help us get you the correct parts. If you don't find the part on the website or on one of the online manuals, please fill out the request form and one of our experienced staff members will get back to you with a quote for the right part that your machine needs.

We sell worldwide for the brands: Genie, Terex, JLG, MultiQuip, Mikasa, Essick, Whiteman, Mayco, Toro Stone, Diamond Products, Generac Magnum, Airman, Haulotte, Barreto, Power Blanket, Nifty Lift, Atlas Copco, Chicago Pneumatic, Allmand, Miller Curber, Skyjack, Lull, Skytrak, Tsurumi, Husquvarna Target, Stow, Wacker, Sakai, Mi-T-M, Sullair, Basic, Dynapac, MBW, Weber, Bartell, Bennar Newman, Haulotte, Ditch Runner, Menegotti, Morrison, Contec, Buddy, Crown, Edco, Wyco, Bomag, Laymor, EZ Trench, Bil-Jax, F.S. Curtis, Gehl Pavers, Heli, Honda, ICS/PowerGrit, IHI, Partner, Imer, Clipper, MMD, Koshin, Rice, CH&E, General Equipment, Amida, Coleman, NAC, Gradall, Square Shooter, Kent, Stanley, Tamco, Toku, Hatz, Kohler, Robin, Wisconsin, Northrock, Oztec, Toker TK, Rol-Air, APT, Wylie, Ingersoll Rand / Doosan, Innovatech, Con X, Ammann, Mecalac, Makinex, Smith Surface Prep, Small Line, Wanco, Yanmar