



# SPARE PARTS LIST

POWER CUTTERS

K970 III CHAIN 2-BOLT, 2018-06

Go to [Discount-Equipment.com](http://Discount-Equipment.com) to order your parts



# PARTS FINDER

**Search Website  
by Part Number**



**Search Manual  
Library For Parts  
Manual & Lookup Part  
Numbers – Purchase  
or Request Quote**

**Search Manuals**

Enter your information to help us find the right parts manual for your machine.

\* Brand:

\* Model:

\* Serial:

\* Part Number:

SEARCH

**Can't Find Part or  
Manual? Request Help  
by Manufacturer,  
Model & Description**

**Parts Order Form**

Please fill in the following information to help us find the right part for your machine.

Manufacturer:	<input type="text"/>
Model:	<input type="text"/>
Description:	<input type="text"/>
Part Number:	<input type="text"/>
Quantity:	<input type="text"/>
Notes:	<input type="text"/>

Submit

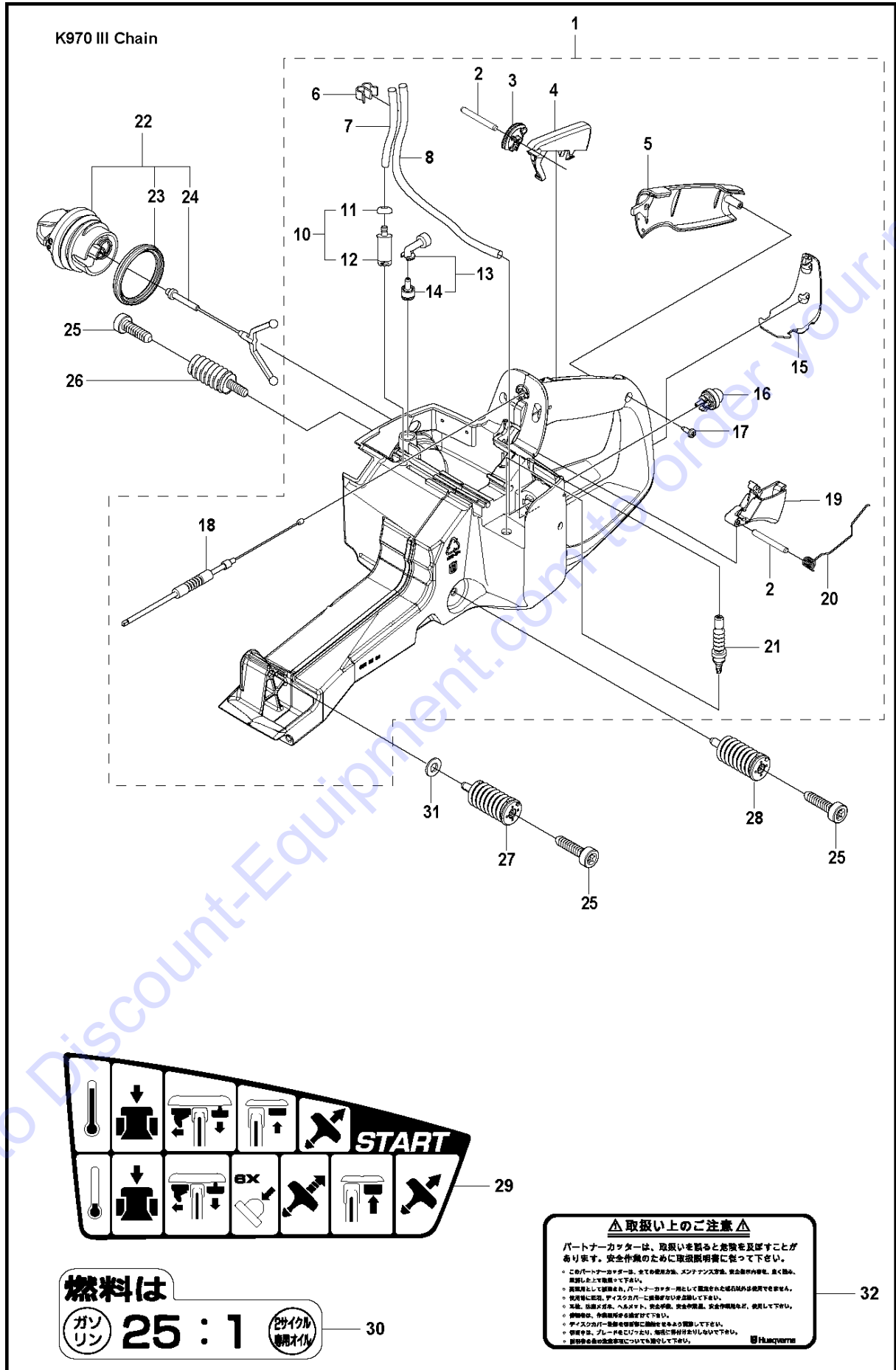
Discount-Equipment.com is your online resource for quality parts & equipment.

Florida: **561-964-4949** Outside Florida TOLL FREE: **877-690-3101**

**Need parts?**

Click on this link: <http://www.discount-equipment.com/category/5443-parts/> and choose one of the options to help get the right parts and equipment you are looking for. Please have the machine model and serial number available in order to help us get you the correct parts. If you don't find the part on the website or on one of the online manuals, please fill out the request form and one of our experienced staff members will get back to you with a quote for the right part that your machine needs.

We sell worldwide for the brands: Genie, Terex, JLG, MultiQuip, Mikasa, Essick, Whiteman, Mayco, Toro Stone, Diamond Products, Generac Magnum, Airman, Haulotte, Barreto, Power Blanket, Nifty Lift, Atlas Copco, Chicago Pneumatic, Allmand, Miller Curber, Skyjack, Lull, Skytrak, Tsurumi, Husquvarna Target, Stow, Wacker, Sakai, Mi-T-M, Sullair, Basic, Dynapac, MBW, Weber, Bartell, Bennar Newman, Haulotte, Ditch Runner, Menegotti, Morrison, Contec, Buddy, Crown, Edco, Wyco, Bomag, Laymor, EZ Trench, Bil-Jax, F.S. Curtis, Gehl Pavers, Heli, Honda, ICS/PowerGrit, IHI, Partner, Imer, Clipper, MMD, Koshin, Rice, CH&E, General Equipment, Amida, Coleman, NAC, Gradall, Square Shooter, Kent, Stanley, Tamco, Toku, Hatz, Kohler, Robin, Wisconsin, Northrock, Oztec, Toker TK, Rol-Air, APT, Wylie, Ingersoll Rand / Doosan, Innovatech, Con X, Ammann, Mecalac, Makinex, Smith Surface Prep, Small Line, Wanco, Yanmar



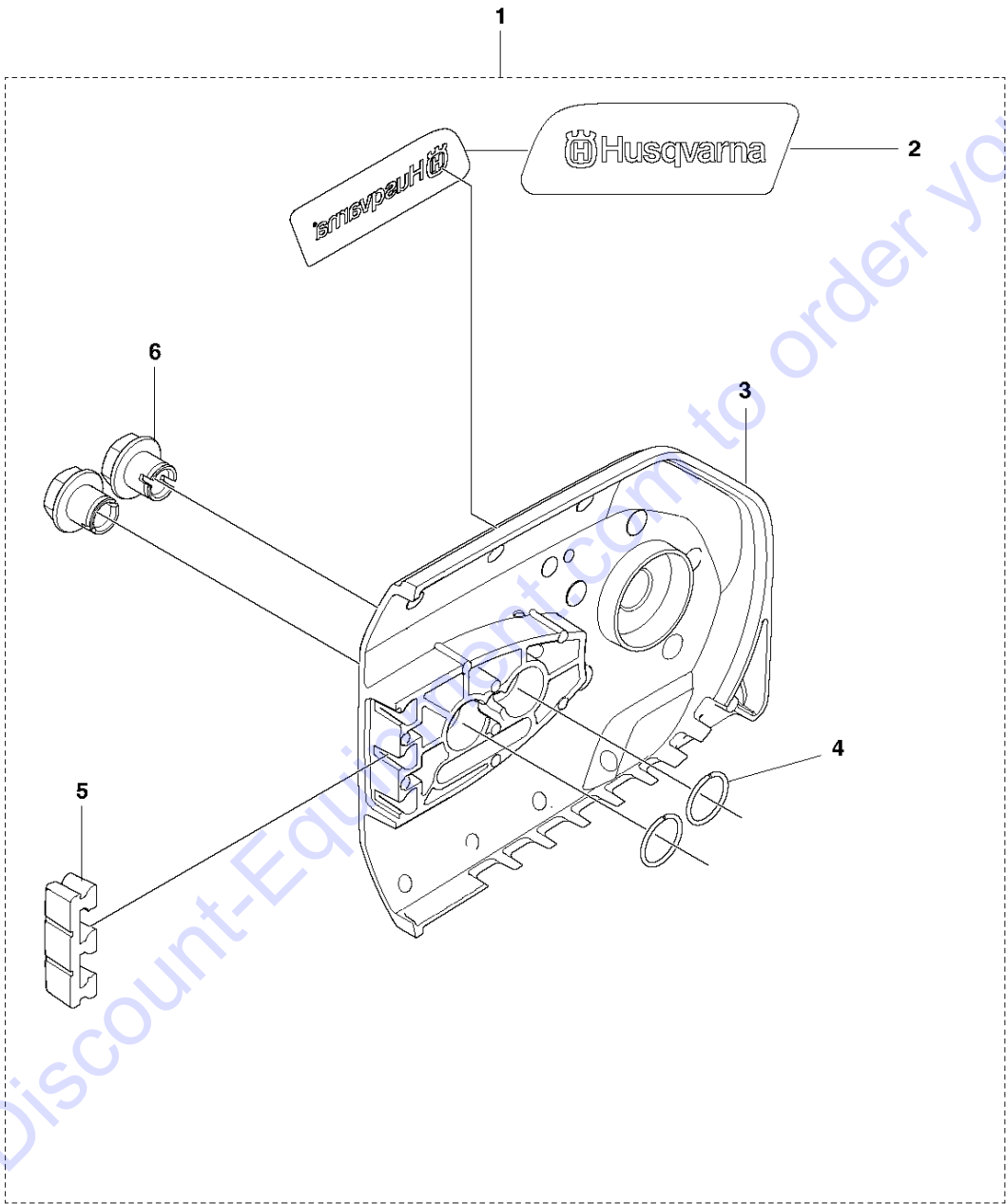
## FUEL TANK

K970 III CHAIN 2-BOLT, 2018-06

Ref	Part No	Description	Remark	QTY KIT
1	581 92 21-14	FUEL TANK ASSY	Incl. 2-20	1
2	720 12 40-20	PARALLEL PIN		2
3	537 20 85-01	LEVER		1
4	510 25 52-01	THROTTLE LOCKOUT		1
5	537 20 56-01	COVER		1
6	574 44 42-01	CLIP		1
7	581 75 62-02	FUEL HOSE		1
8	537 04 24-18	FUEL HOSE		1
10	506 26 41-11	FUEL FILTER		1
11	506 27 11-01	HOSE CLAMP		1
12	506 26 41-01	FUEL FILTER		1
13	598 70 05-01	TANK VENT ASSY		1
14	501 15 29-01	TANK VENT ASSY		1
15	502 47 16-01	GROUND SUPPORT		1
16	540 05 49-01	PURGE		1
17	525 88 74-02	SCREW CITXPANT		1
18	576 49 04-01	THROTTLE CABLE ASSY		1
19	502 47 18-01	THROTTLE CONTROL		1
20	537 20 98-01	SPRING		1
21	576 13 99-01	FUEL HOSE		1
22	522 62 00-03	TANK CAP ASSY		1
23	589 24 11-01	GASKET		1
24	503 57 89-01	HOLDER		1
25	544 06 12-01	SCREW ITXSCM		3
26	537 21 03-09	ANTIVIBRATION ELEMENT		1
27	537 21 03-10	ANTIVIBRATION ELEMENT		1
28	537 21 03-05	ANTIVIBRATION ELEMENT		1
29	525 57 20-02	DECAL		1
30	506 31 30-01	LABEL	Japan Only	1
31	503 23 00-80	WASHER		1
32	506 24 34-35	DECAL	Japan Only	1

Go to Discount-Equipment.com to order your parts

K970 III Chain

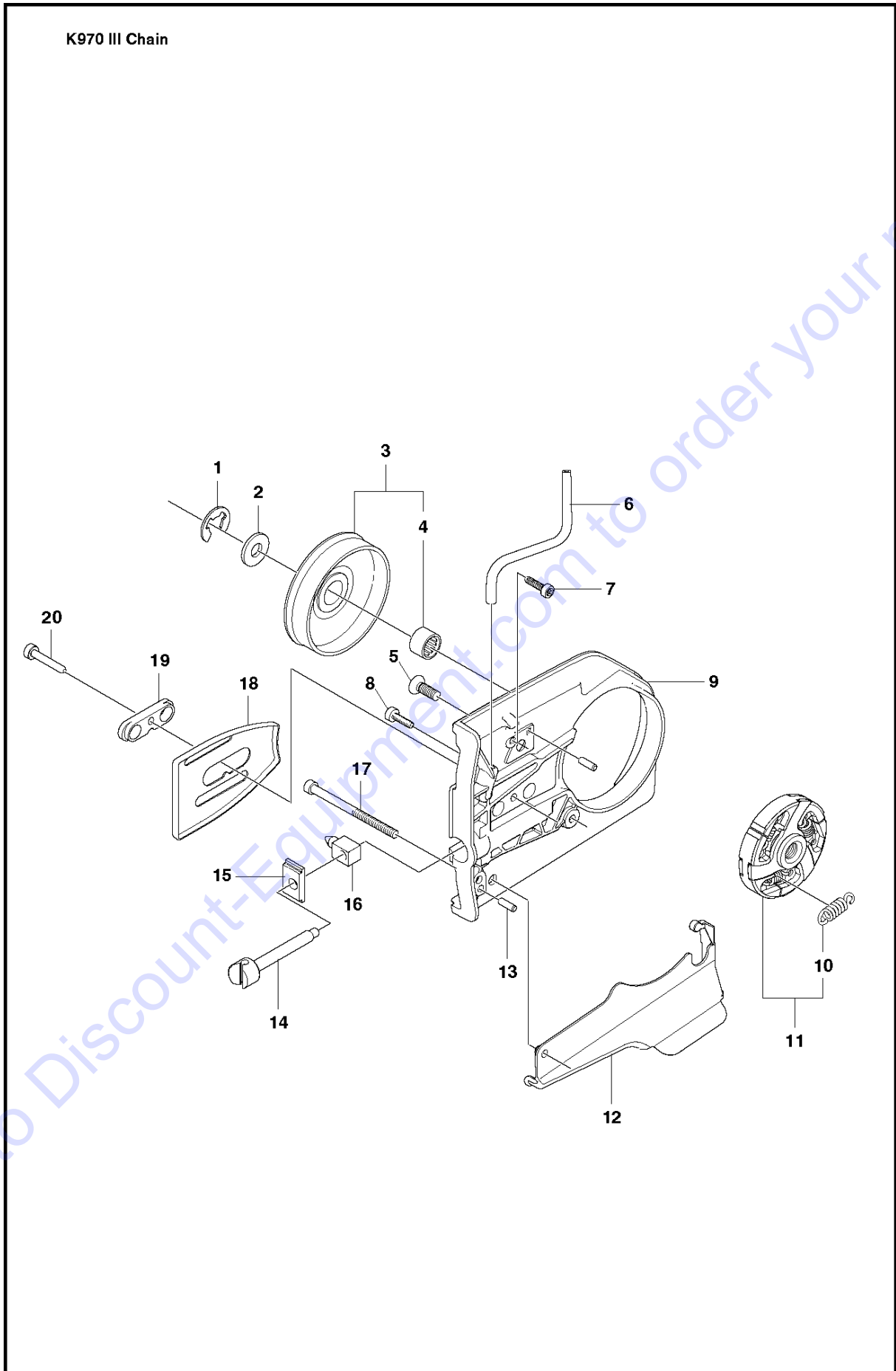


## CLUTCH COVER

K970 III CHAIN 2-BOLT, 2018-06

Ref	Part No	Description	Remark	QTY	KIT
1	595 02 30-01	CLUTCH COVER ASSY		1	1
2	587 32 86-01	DECAL		1	1
3	582 71 71-01	CLUTCH COVER		1	1
4	506 28 76-01	RETAINER RING		1	1
5	587 09 83-01	WEAR PROTECTION		1	1
6	586 21 71-01	NUT		2	1

Go to [Discount-Equipment.com](http://Discount-Equipment.com) to order your parts



## CLUTCH

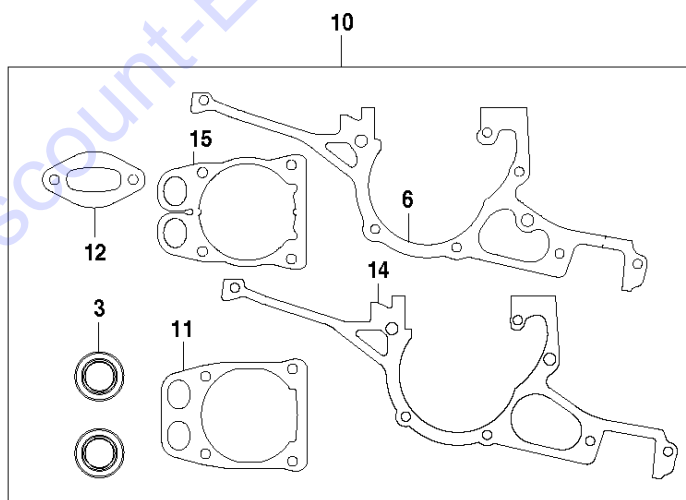
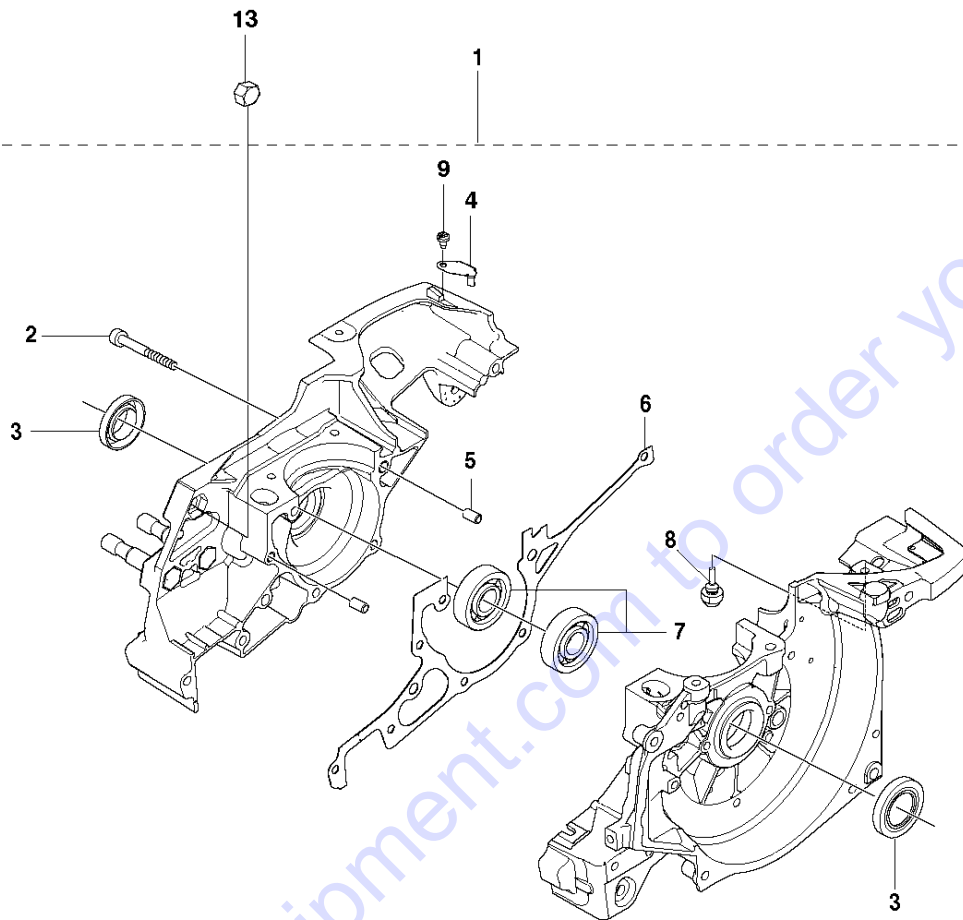
K970 III CHAIN 2-BOLT, 2018-06

Ref	Part No	Description	Remark	QTY	KIT
1	503 27 21-01	E-CLIP		1	
2	574 84 20-01	SPACER		1	
3	576 11 62-02	CLUTCH DRUM ASSY		1	
4	503 25 53-01	NEEDLE BEARING		1	3
5	725 64 53-01	SCREW IHCSFM		1	
6	577 30 84-01	PIPE		1	
7	503 21 53-10	SCREW ITXSCM		1	
8	503 21 53-16	SCREW ITXSCM		1	
9	582 74 20-02	BAR BRACKET	Incl. 8	1	
10	588 42 15-01	CLUTCH SPRING		3	11
11	506 33 38-03	CLUTCH ASSY	Incl. 11	1	
12	506 39 96-03	SHIELD		1	
13	720 13 07-10	PARALLEL PIN		2	
14	587 08 57-01	SCREW		1	
15	506 33 32-01	PLATE		1	
16	587 08 82-01	PAWL		1	
17	503 21 53-65	SCREW ITXSCM		1	
18	582 87 56-01	COVER PLATE		1	
19	590 27 32-01	BRACKET		1	
20	575 79 12-02	SCREW ITXSCM		1	

Go to Discount-Equipment.com to order your parts



K970 III Chain



Go to Discount-Equipment.com to order your parts

## CRANKCASE

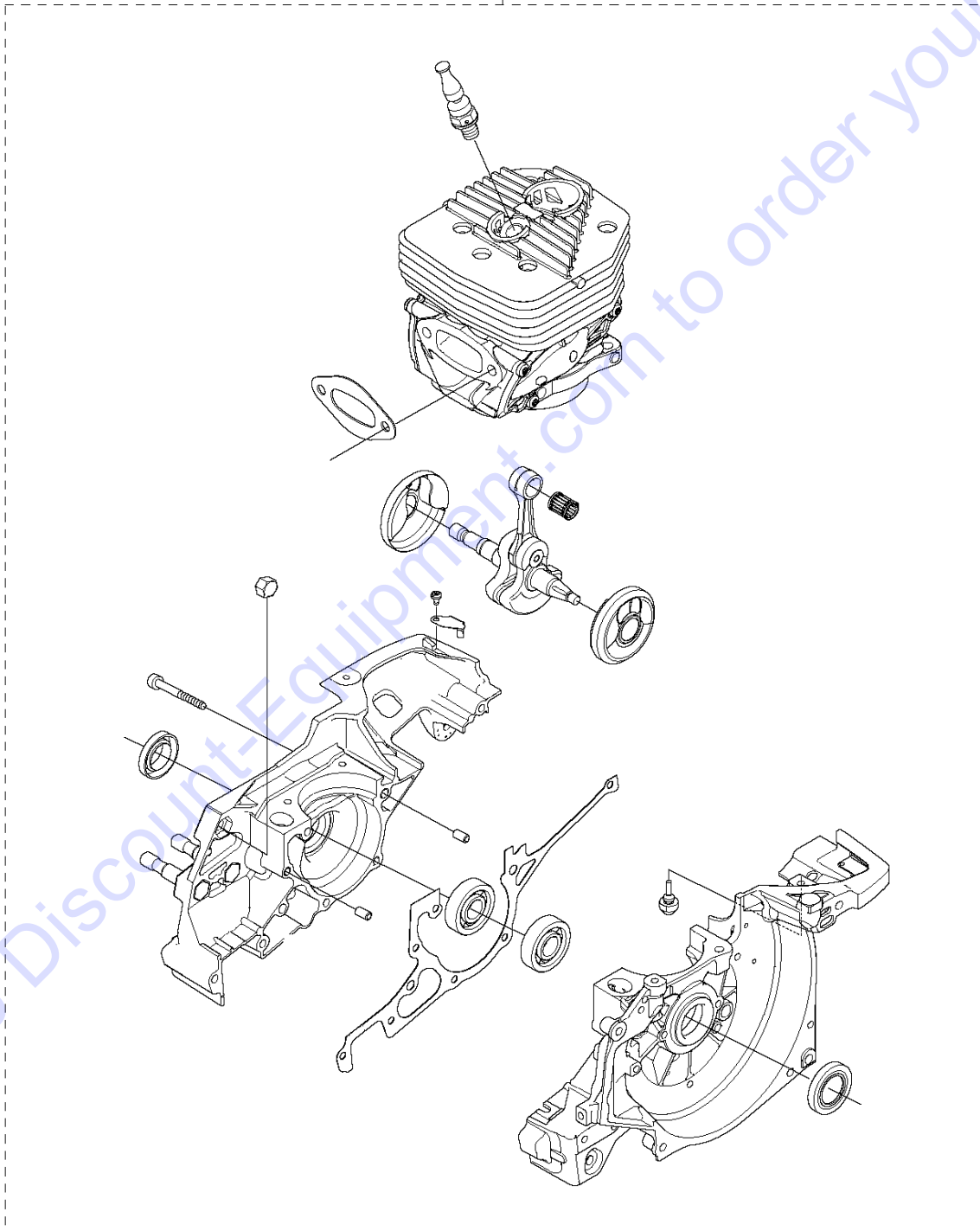
K970 III CHAIN 2-BOLT, 2018-06

Ref	Part No	Description	Remark	QTY	KIT
1	587 92 78-07	CRANKCASE ASSY	Incl. 2-10 & 16	1	
2	503 21 53-49	SCREW ITXSCM		7	1
3	503 26 02-04	SEALING RING		2	1,1
4	582 12 33-01	WEAR PROTECTION		1	1
5	501 27 08-01	GUIDE BUSHING		2	1
6	577 98 89-01	GASKET		1	1,1
7	503 25 00-02	BALL BEARING		2	1
8	522 85 61-01	RUBBER BUSHING		1	1
9	525 88 74-03	SCREW CITXPANT		1	1
10	544 22 98-09	GASKET KIT	Incl. 3 , 6 , 11-12 , 14-15	1	1
11	576 49 94-01	GASKET		1	1,1
12	585 28 09-01	GASKET		1	1,1
13	503 22 21-02	LOCK NUT		1	
14	506 41 39-04	GASKET		1	1,1
15	594 89 01-01	GASKET		1	1,1

Go to [Discount-Equipment.com](http://Discount-Equipment.com) to order your parts

K970 III Chain

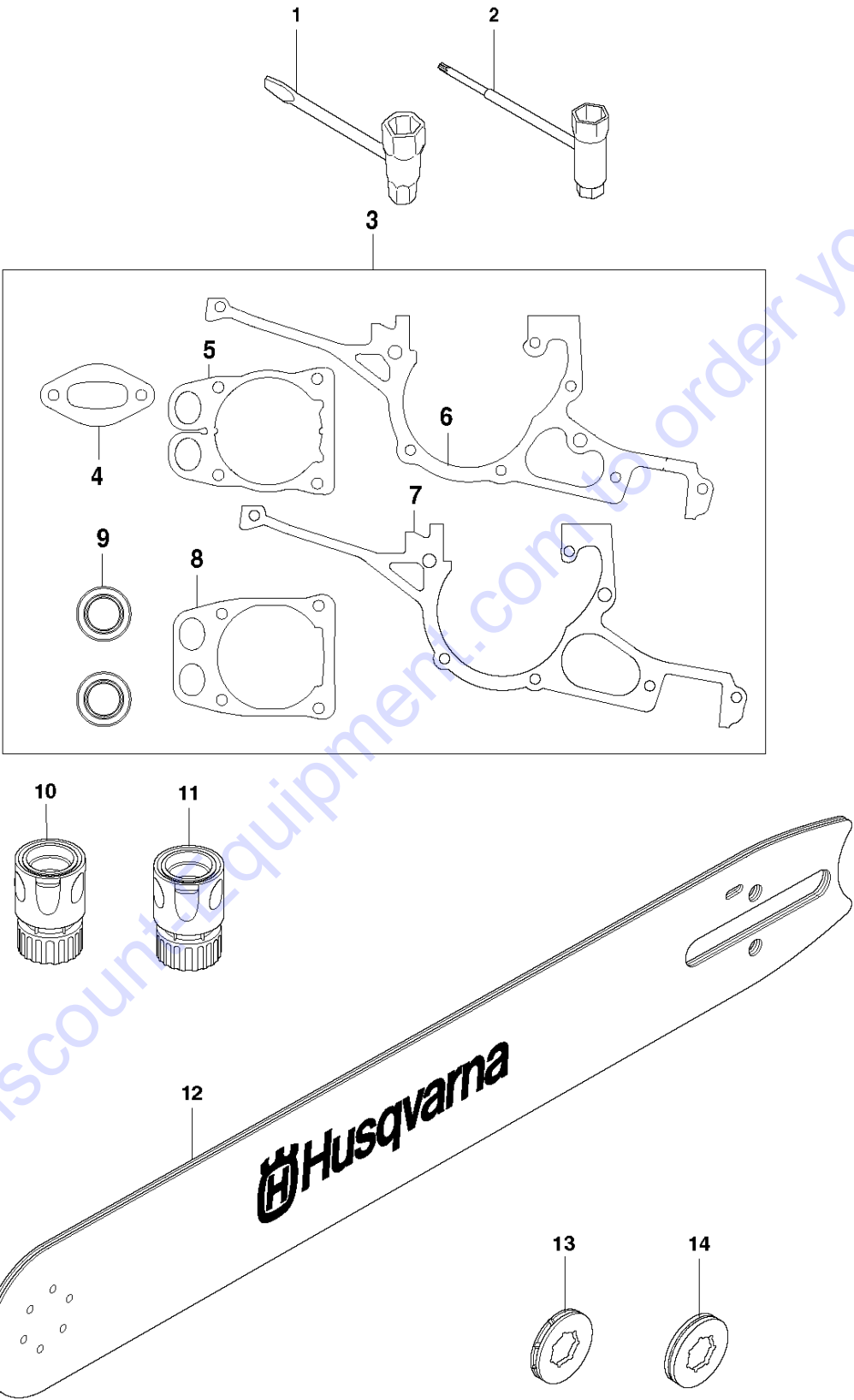
1



Ref	Part No	Description	Remark	QTY KIT
1	588 48 75-10	ENGINE		1

Go to [Discount-Equipment.com](http://Discount-Equipment.com) to order your parts

K970 III Chain



Go to [DiscountEquipment.com](http://DiscountEquipment.com) to order your parts

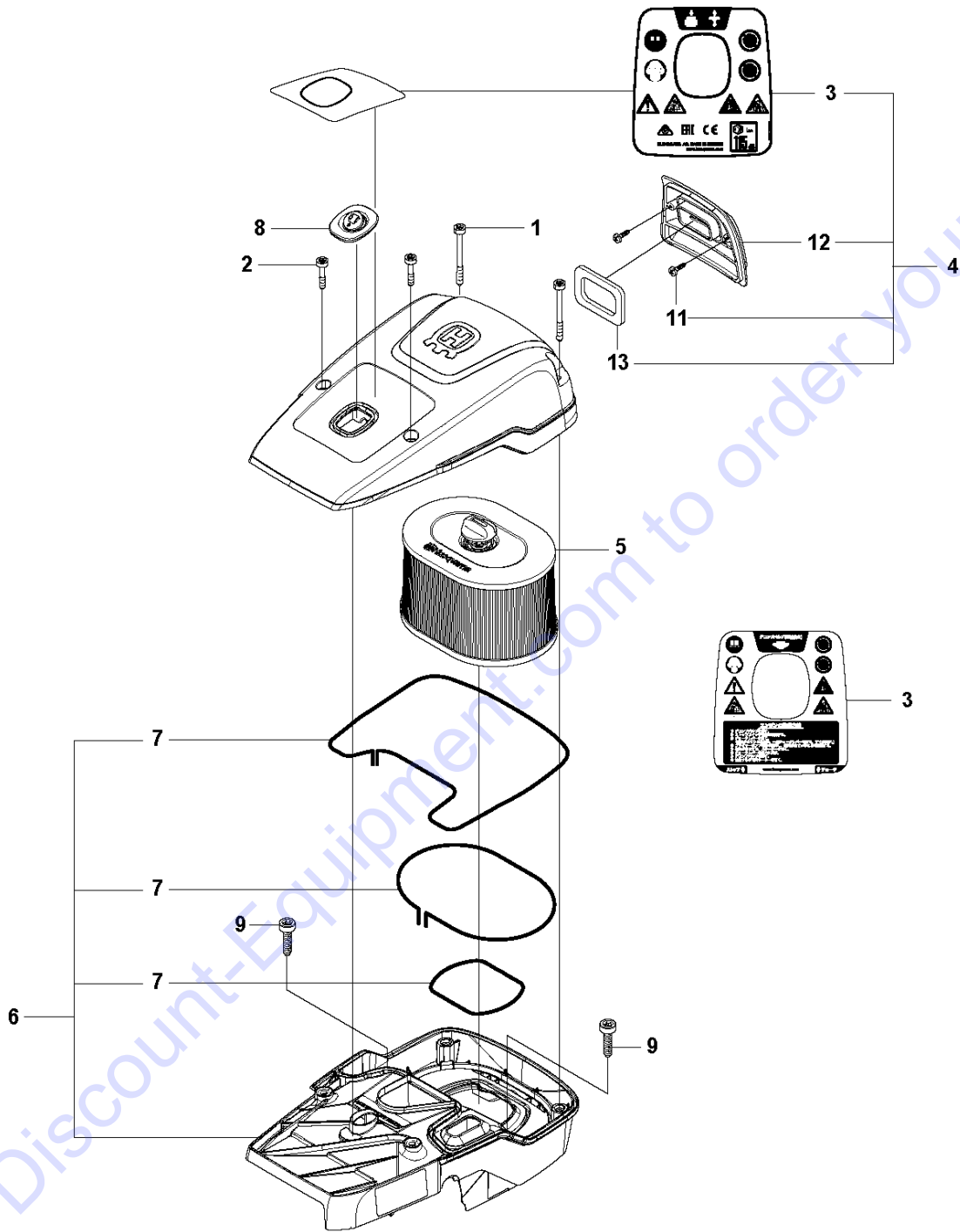
## TOOLS

K970 III CHAIN 2-BOLT, 2018-06

Ref	Part No	Description	Remark	QTY KIT
1	501 69 17-02	COMBINATION WRENCH		1
2	506 38 26-01	TOOL		1
3	544 22 98-08	GASKET KIT	Incl 3-6, 8-9	1
4	585 28 09-01	GASKET		1
5	594 89 01-01	GASKET		1
6	577 98 89-01	GASKET		1
7	506 41 39-04	GASKET		1
8	576 49 94-01	GASKET		1
9	503 26 02-04	SEALING RING		2
10	503 26 60-03	COUPLER		1
11	503 26 60-04	COUPLER		1
12	506 34 62-02	CHAIN	"For 14"" and 3/8"" only"	1
12	587 78 14-01	CHAIN	"For 12"" and 444"" only"	1
12	587 78 14-02	CHAIN	"For 16"" and 444"" only"	1
13	505 30 36-61	RIM		1
14	588 14 79-01	RIM		1

Go to Discount-Equipment.com to order your parts

K970 III Chain



10 **K970**  
**CHAIN**

Go to Discount-Equipment.com to order your parts

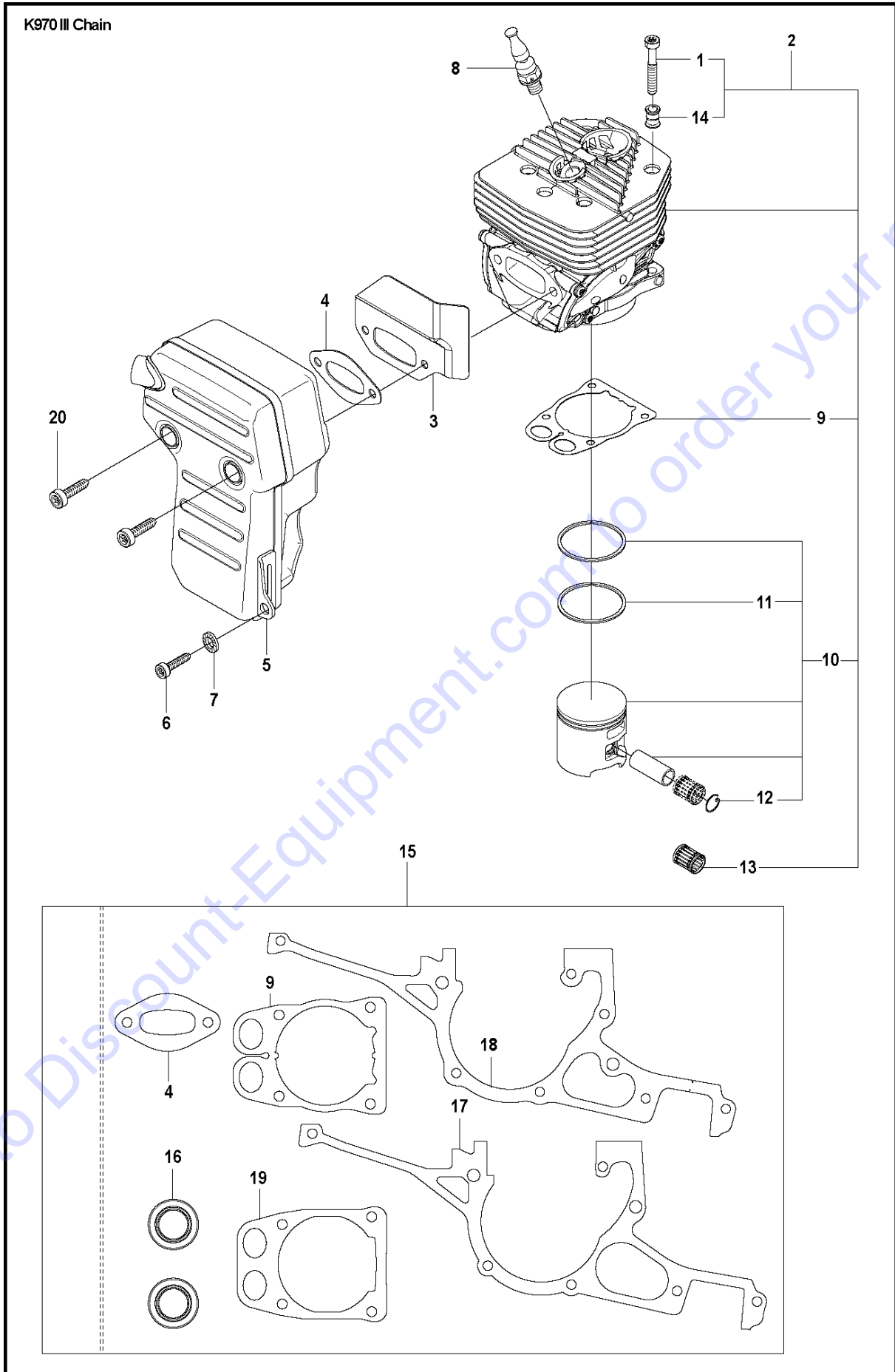
## AIR FILTER COVER

K970 III CHAIN 2-BOLT, 2018-06

Ref	Part No	Description	Remark	QTY KIT
1	588 48 75-10	ENGINE		2
2	503 21 53-26	SCREW ITXSCM		2
3	584 91 33-06	DECAL	CE	1
3	584 91 33-03	DECAL	Japan Only	1
4	587 00 51-05	FILTER COVER ASSY		1
5	510 24 41-06	AIR FILTER		1
6	586 56 40-02	CYLINDER COVER ASSY	Incl. 7	1
7	525 61 70-04	SEALING	L=1,2 M. Cut to fit	3
8	585 42 83-01	PLUG		1
9	503 21 53-30	SCREW ITXSCM		2
10	525 57 16-04	DECAL		1
11	594 07 12-01	SCREW		2
12	576 43 14-01	COVER		1
13	578 06 53-01	SEALING		1

Go to Discount-Equipment.com to order your parts



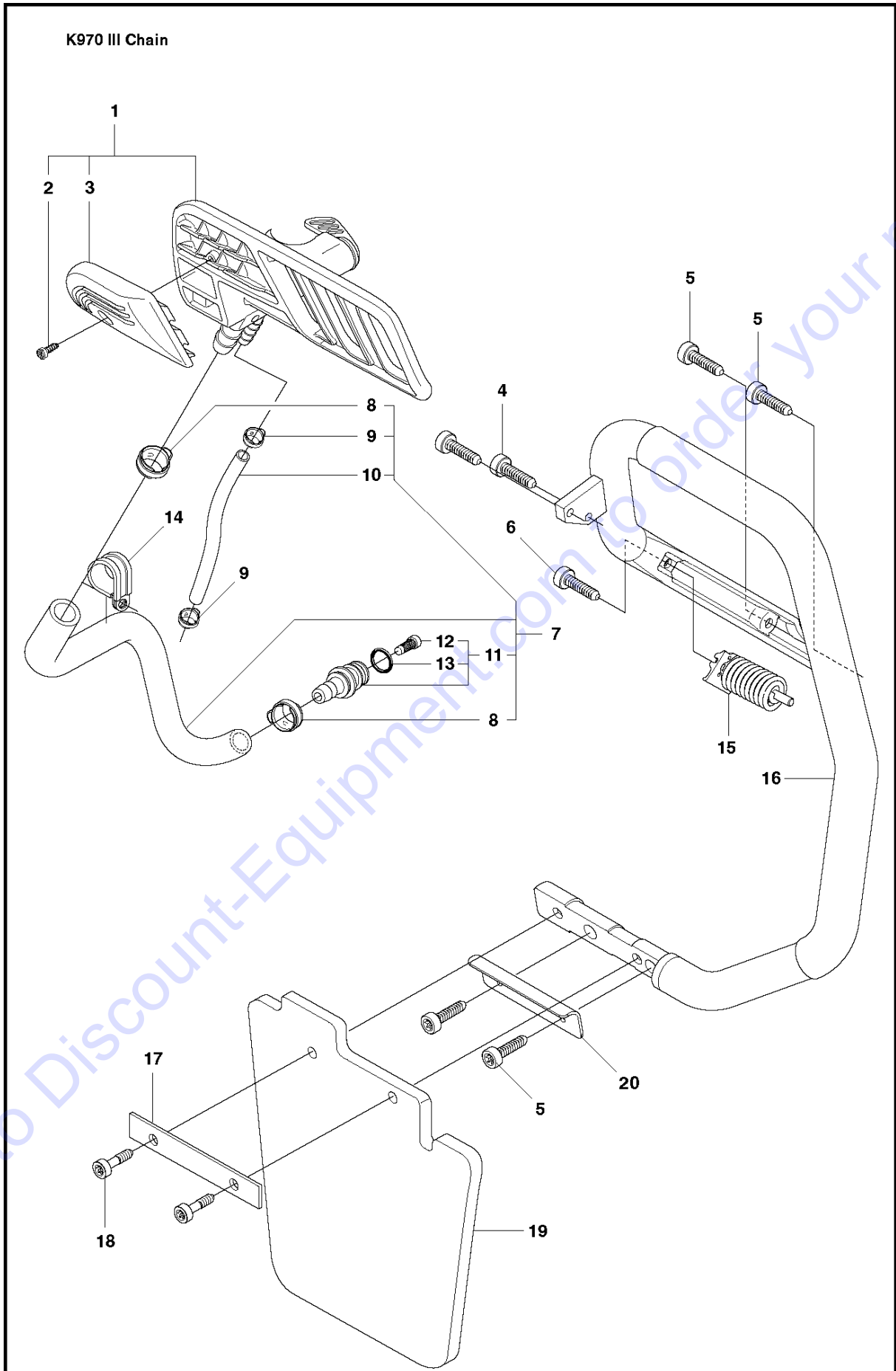


## CYLINDER, PISTON &amp; MUFFLER

K970 III CHAIN 2-BOLT, 2018-06

Ref	Part No	Description	Remark	QTY KIT
1	544 21 84-40	SCREW ITXSCM		6
2	586 35 10-04	CYLINDER ASSY	Incl. 1, 9, 10, 13, 14	1
3	577 99 76-02	HEAT DEFLECTOR		1
4	585 28 09-01	GASKET		1
5	587 63 11-01	MUFFLER ASSY		1
6	503 21 53-25	SCREW ITXSCM		1
7	503 23 04-02	WASHER		1
8	584 91 22-01	DECOMPRESSION VALVE		1
9	594 89 01-01	GASKET	Paper gasket	1
10	506 41 32-02	PISTON	Incl. 11, 12	1
11	503 28 90-35	PISTON RING		2
12	737 44 13-00	CIRCLIP		2
13	503 25 61-01	NEEDLE BEARING		1
14	578 11 91-01	SLEEVE		4
15	544 22 98-08	GASKET KIT	Incl. 4, 9, 16-19	1
16	503 26 02-04	SEALING RING		1
17	506 41 39-04	GASKET		1
18	577 98 89-01	GASKET		1
19	576 49 94-01	GASKET	Metal gasket	1
20	544 21 84-01	SCREW ITXSCM		2

Go to [Discount-Equipment.com](http://Discount-Equipment.com) to order your parts

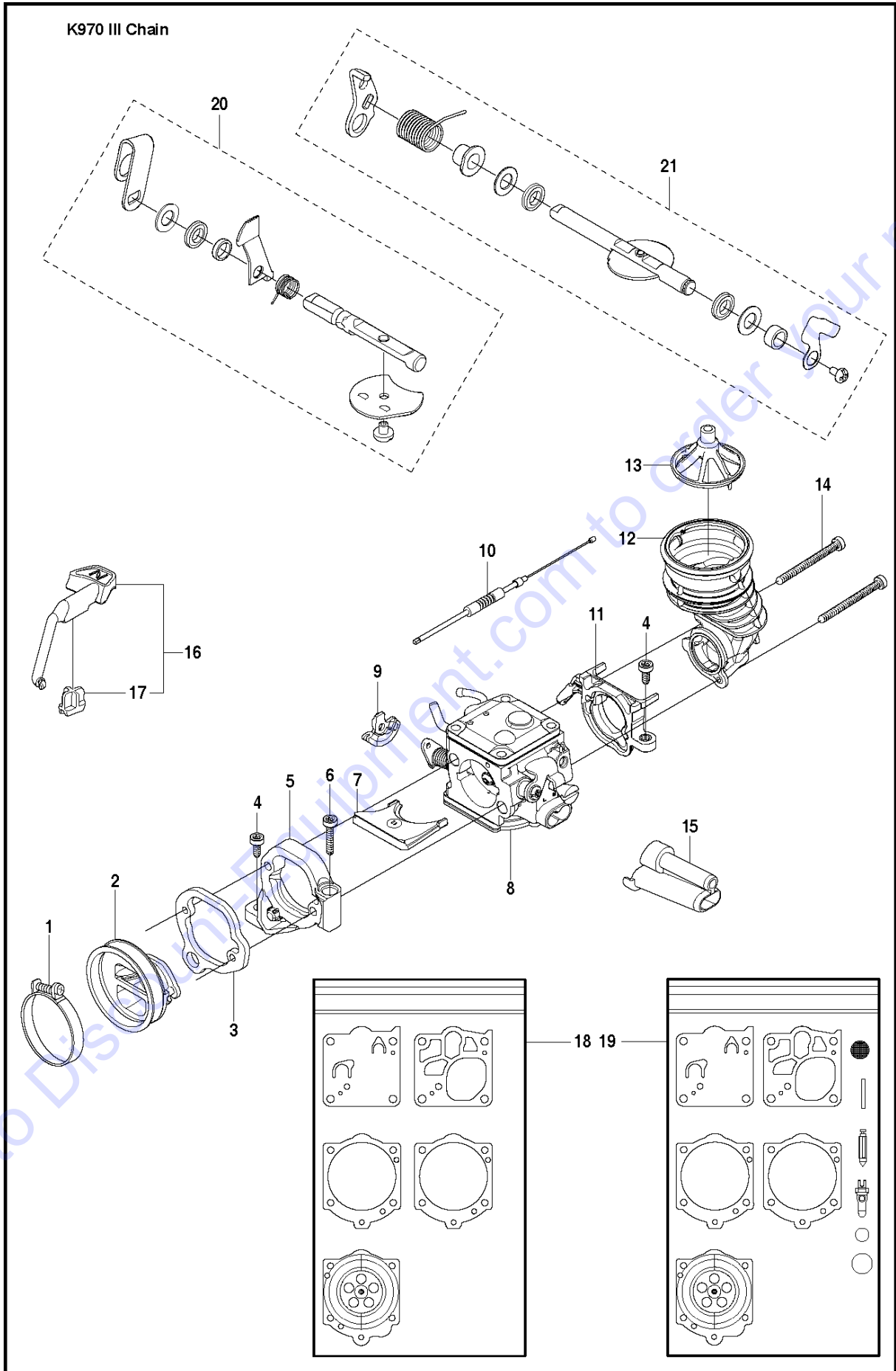


## HANDLE

K970 III CHAIN 2-BOLT, 2018-06

Ref	Part No	Description	Remark	QTY KIT
1	505 02 99-01	HAND GUARD	Incl. 2-3	1
2	503 21 27-10	SCREW CCRPANT		1
3	506 33 24-02	RUBBER BLOCK		1
4	504 90 94-25	SCREW ITXSCT		2
5	503 21 54-20	SCREW ITXSCT		4
6	544 06 12-01	SCREW ITXSCM		1
7	506 32 89-51	HOSE KIT	Incl. 8 - 11	1
8	576 12 97-01	HOSE CLAMP		2
9	506 09 56-05	HOSE CLAMP		2
10	506 35 25-01	HOSE		1
11	506 29 57-02	NIPPLE	Incl. 12, 13	1
12	506 29 88-01	FILTER		1
13	505 10 35-01	O-RING		1
14	597 33 63-01	CLAMP		1
15	585 90 56-01	ANTIVIBRATION ELEMENT		1
16	523 03 27-01	HANDLE		1
17	506 33 45-01	BACKING PLATE		1
18	501 98 10-20	SCREW ITXSCM		2
19	506 33 46-01	SPRAY GUARD		1
20	581 32 82-01	PLATE		1

Go to Discount-Equipment.com to order your parts



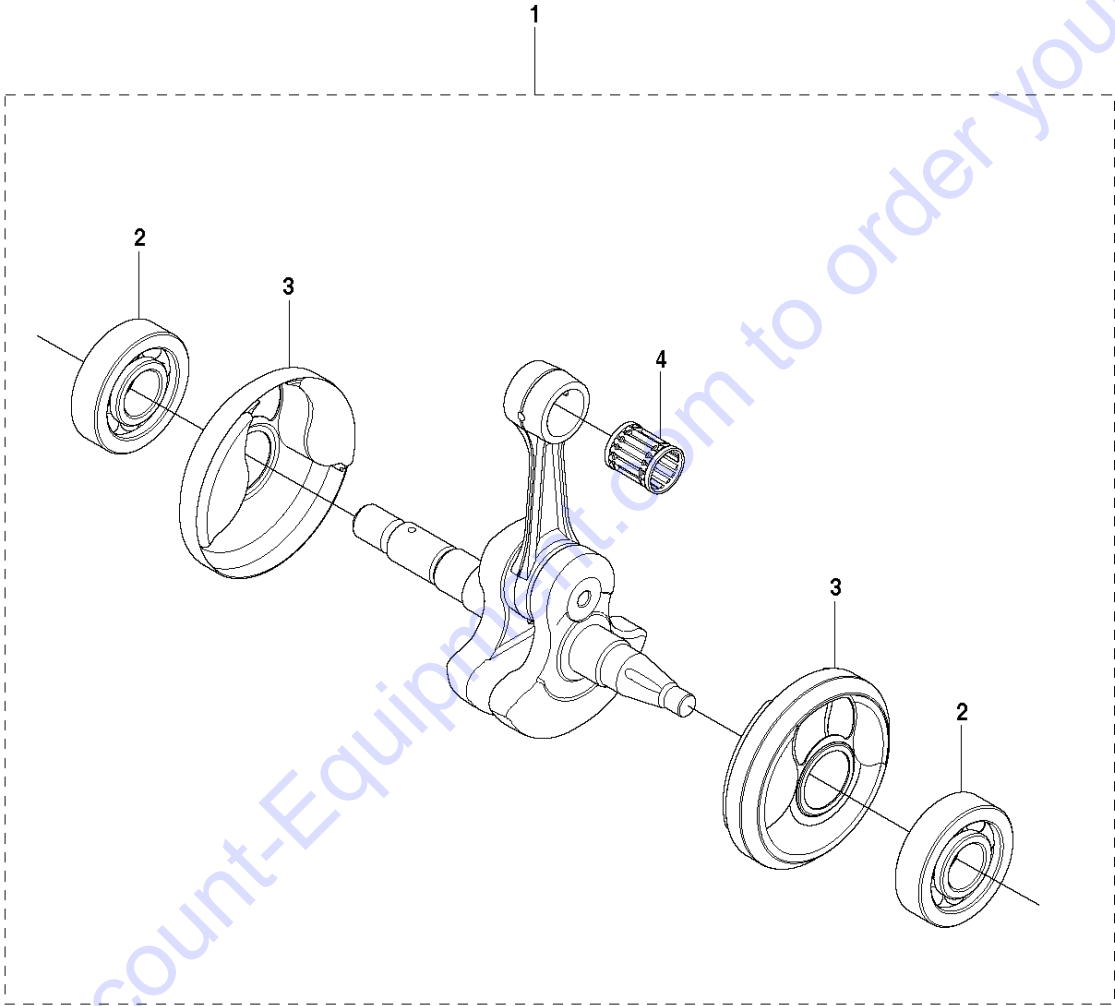
## CARBURETOR

K970 III CHAIN 2-BOLT, 2018-06

Ref	Part No	Description	Remark	QTY KIT
1	505 28 33-06	HOSE CLAMP		1
2	506 41 41-01	INLET PIPE		1
3	544 15 01-01	FLANGE		1
4	503 21 53-16	SCREW ITXSCM		2
5	544 11 39-01	CONSOLE		1
6	503 21 53-30	SCREW ITXSCM		1
7	506 41 42-01	PLATE		1
8	584 91 30-01	CARBURETTOR	RWJ-7	1
9	505 14 84-01	LEVER		1
10	576 49 04-01	THROTTLE CABLE ASSY		1
11	522 85 62-01	FLANGE		1
12	521 92 67-01	INLET PIPE		1
13	510 24 39-01	FILTER		1
14	501 97 18-02	SCREW ITXSCM		2
15	586 06 21-01	CHISEL GUIDE		1
16	506 23 20-11	CHOKE	Incl. 17	1
17	506 27 25-01	WEAR PROTECTION		1
18	502 44 58-01	GASKET KIT	Walbro RWJ-5	1
19	502 44 59-03	REPAIR KIT	Walbro RWJ-5	1
21	593 77 69-01	THROTTLE SHAFT		1
20	593 77 77-01	CHOKE SHAFT		1

Go to Discount-Equipment.com to order your parts

K970 III Chain



## CRANKSHAFT

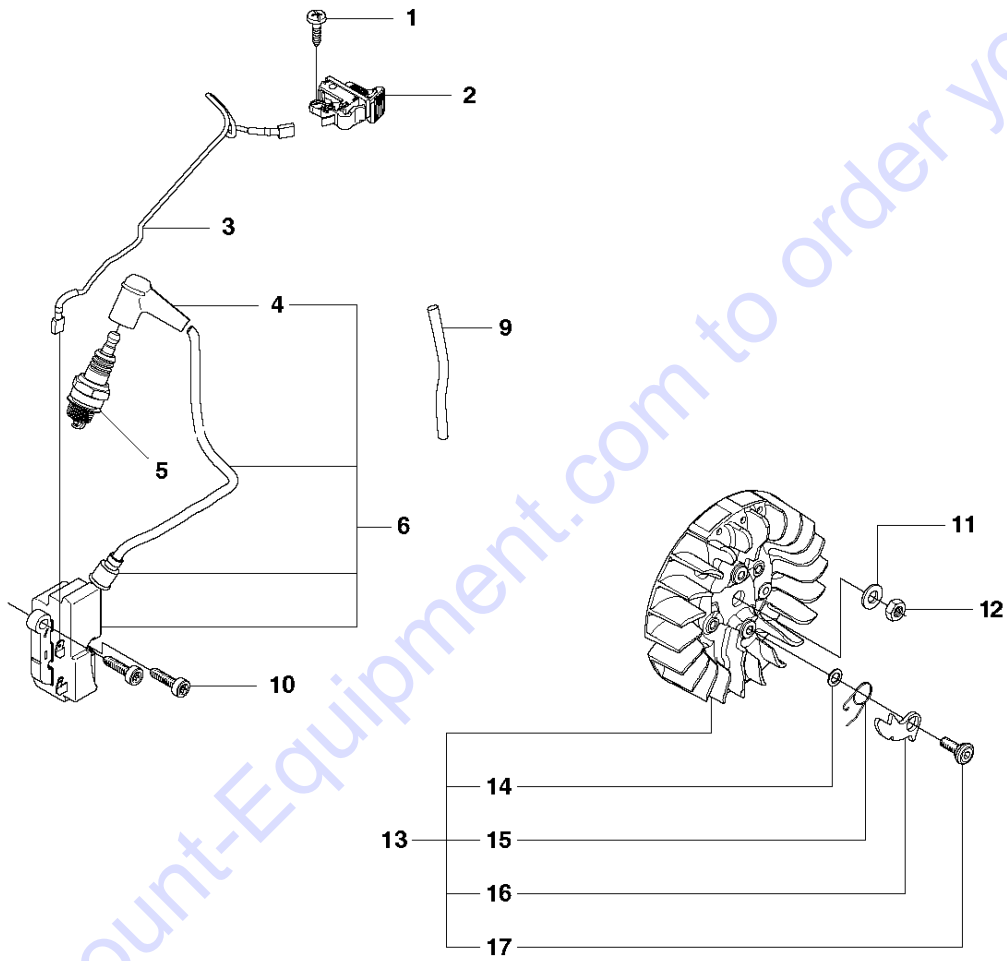
K970 III CHAIN 2-BOLT, 2018-06

Ref	Part No	Description	Remark	QTY KIT
1	544 98 39-02	CRANKSHAFT ASSY	Incl. 2 - 4	1
2	503 25 00-02	BALL BEARING		2
3	506 41 44-01	CUP		2
4	503 25 61-01	NEEDLE BEARING		1

Go to [Discount-Equipment.com](http://Discount-Equipment.com) to order your parts



**K970 III Chain  
IGNITION SYSTEM**

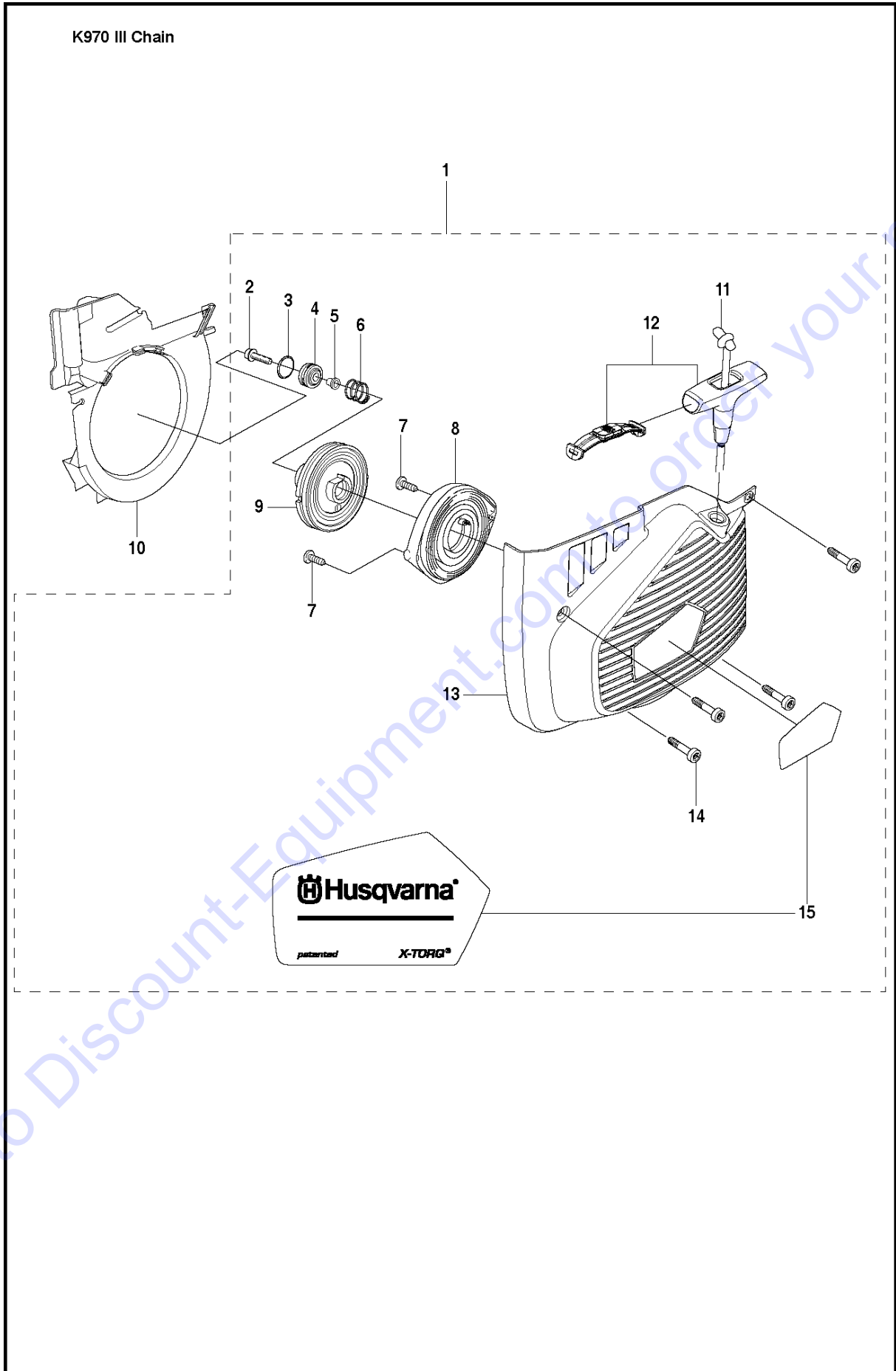


## IGNITION SYSTEM

K970 III CHAIN 2-BOLT, 2018-06

Ref	Part No	Description	Remark	QTY	KIT
1	525 88 74-03	SCREW CITXPANT		1	
2	506 31 86-04	STOP SWITCH		1	
3	501 83 98-01	CABLE		1	
4	590 50 45-01	SPARK PLUG CAP		1	6
5	503 23 51-11	SPARK PLUG	RCJ 6Y	1	
6	594 72 96-04	IGNITION MODULE ASSY		1	
9	576 85 16-02	PROTECTIVE HOSE		1	
10	505 57 41-20	SCREW ITXSCM		2	
11	503 23 01-01	WASHER		1	
12	503 22 10-11	HEXAGON NUT		1	
13	587 70 21-02	FLYWHEEL ASSY	Incl. 14 - 17	1	
14	503 23 00-42	WASHER		2	13
15	501 63 48-01	SPRING		2	13
16	501 67 32-03	PAWL		2	13
17	506 00 69-01	SCREW		2	13

Go to Discount-Equipment.com to order your parts



## STARTER

K970 III CHAIN 2-BOLT, 2018-06

Ref	Part No	Description	Remark	QTY KIT
1	574 50 73-15	STARTER ASSY	Incl. 2 - 9, 11 - 15	1
2	503 21 07-22	SCREW IH SCT		1
3	740 43 13-00	O-RING		1
4	510 00 08-01	SEALING		1
5	506 26 31-01	SPACING SLEEVE		1
6	506 25 30-01	COMPRESSION SPRING		1
7	525 88 74-02	SCREW CITXPANT		2
8	596 29 31-01	RECOIL SPRING		1
9	506 25 81-03	STARTER PULLEY		1
10	544 28 75-02	AIR CONDUCTOR		1
11	506 33 56-15	CORD		1
11	506 33 56-50	STARTER ROPE	50 m Coil	1
12	584 25 79-02	STARTER HANDLE ASSY		1
13	505 34 94-02	STARTER COVER		1
14	501 98 10-20	SCREW ITXSCM		4
15	525 57 11-01	DECAL		1

Go to [Discount-Equipment.com](http://Discount-Equipment.com) to order your parts

# PARTS FINDER

**Search Website  
by Part Number**



**Search Manual  
Library For Parts  
Manual & Lookup Part  
Numbers – Purchase  
or Request Quote**

**Search Manuals**

Enter your information to help us find the right parts manual for your machine.

\* Brand:

\* Model:

\* Serial:

\* Part Number:

SEARCH

**Can't Find Part or  
Manual? Request Help  
by Manufacturer,  
Model & Description**

**Parts Order Form**

Please fill in the following information to help us find the right part for your machine.

Manufacturer:	<input type="text"/>
Model:	<input type="text"/>
Description:	<input type="text"/>
Part Number:	<input type="text"/>
Quantity:	<input type="text"/>
Notes:	<input type="text"/>

Submit

Discount-Equipment.com is your online resource for quality parts & equipment.

Florida: **561-964-4949** Outside Florida TOLL FREE: **877-690-3101**

**Need parts?**

Click on this link: <http://www.discount-equipment.com/category/5443-parts/> and choose one of the options to help get the right parts and equipment you are looking for. Please have the machine model and serial number available in order to help us get you the correct parts. If you don't find the part on the website or on one of the online manuals, please fill out the request form and one of our experienced staff members will get back to you with a quote for the right part that your machine needs.

We sell worldwide for the brands: Genie, Terex, JLG, MultiQuip, Mikasa, Essick, Whiteman, Mayco, Toro Stone, Diamond Products, Generac Magnum, Airman, Haulotte, Barreto, Power Blanket, Nifty Lift, Atlas Copco, Chicago Pneumatic, Allmand, Miller Curber, Skyjack, Lull, Skytrak, Tsurumi, Husquvarna Target, Stow, Wacker, Sakai, Mi-T-M, Sullair, Basic, Dynapac, MBW, Weber, Bartell, Bennar Newman, Haulotte, Ditch Runner, Menegotti, Morrison, Contec, Buddy, Crown, Edco, Wyco, Bomag, Laymor, EZ Trench, Bil-Jax, F.S. Curtis, Gehl Pavers, Heli, Honda, ICS/PowerGrit, IHI, Partner, Imer, Clipper, MMD, Koshin, Rice, CH&E, General Equipment, Amida, Coleman, NAC, Gradall, Square Shooter, Kent, Stanley, Tamco, Toku, Hatz, Kohler, Robin, Wisconsin, Northrock, Oztec, Toker TK, Rol-Air, APT, Wylie, Ingersoll Rand / Doosan, Innovatech, Con X, Ammann, Mecalac, Makinex, Smith Surface Prep, Small Line, Wanco, Yanmar