



# SPARE PARTS LIST

POWER CUTTERS

K970 CHAIN, 2011-12

Go to [Discount-Equipment.com](http://Discount-Equipment.com) to order your parts



# PARTS FINDER

**Search Website  
by Part Number**



**Search Manual  
Library For Parts  
Manual & Lookup Part  
Numbers – Purchase  
or Request Quote**

**Search Manuals**

Enter your information to help us find the right parts manual for your machine.

\* Brand:

\* Model:

\* Serial:

\* Part Number:

SEARCH

**Can't Find Part or  
Manual? Request Help  
by Manufacturer,  
Model & Description**

**Parts Order Form**

Please fill in the following information to help us find the right part for your machine.

Manufacturer:	<input type="text"/>
Model:	<input type="text"/>
Description:	<input type="text"/>
Part Number:	<input type="text"/>
Quantity:	<input type="text"/>
Notes:	<input type="text"/>

SEARCH

Discount-Equipment.com is your online resource for quality parts & equipment.

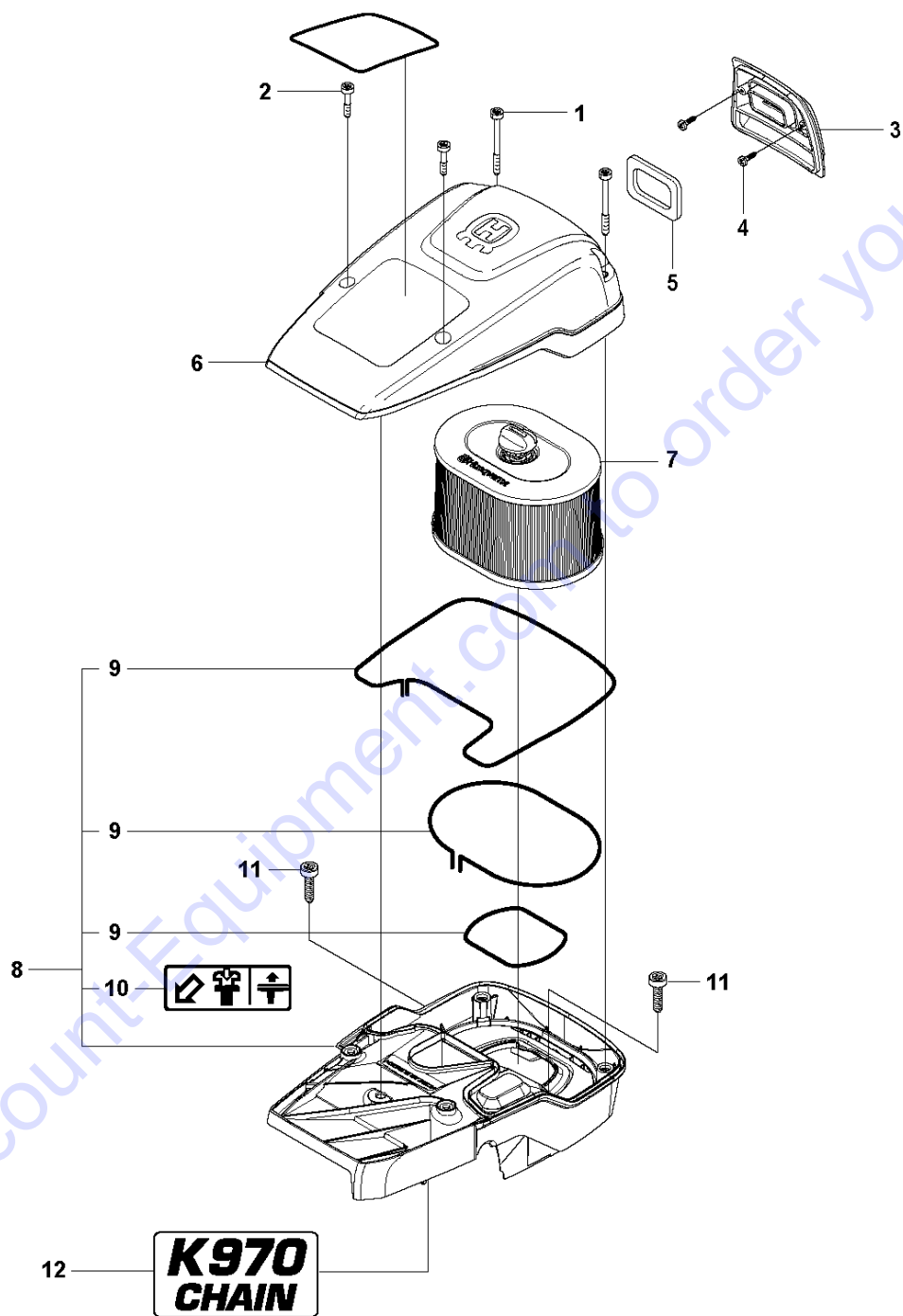
Florida: **561-964-4949** Outside Florida TOLL FREE: **877-690-3101**

**Need parts?**

Click on this link: <http://www.discount-equipment.com/category/5443-parts/> and choose one of the options to help get the right parts and equipment you are looking for. Please have the machine model and serial number available in order to help us get you the correct parts. If you don't find the part on the website or on one of the online manuals, please fill out the request form and one of our experienced staff members will get back to you with a quote for the right part that your machine needs.

We sell worldwide for the brands: Genie, Terex, JLG, MultiQuip, Mikasa, Essick, Whiteman, Mayco, Toro Stone, Diamond Products, Generac Magnum, Airman, Haulotte, Barreto, Power Blanket, Nifty Lift, Atlas Copco, Chicago Pneumatic, Allmand, Miller Curber, Skyjack, Lull, Skytrak, Tsurumi, Husquvarna Target, Stow, Wacker, Sakai, Mi-T-M, Sullair, Basic, Dynapac, MBW, Weber, Bartell, Bennar Newman, Haulotte, Ditch Runner, Menegotti, Morrison, Contec, Buddy, Crown, Edco, Wyco, Bomag, Laymor, EZ Trench, Bil-Jax, F.S. Curtis, Gehl Pavers, Heli, Honda, ICS/PowerGrit, IHI, Partner, Imer, Clipper, MMD, Koshin, Rice, CH&E, General Equipment, Amida, Coleman, NAC, Gradall, Square Shooter, Kent, Stanley, Tamco, Toku, Hatz, Kohler, Robin, Wisconsin, Northrock, Oztec, Toker TK, Rol-Air, APT, Wylie, Ingersoll Rand / Doosan, Innovatech, Con X, Ammann, Mecalac, Makinex, Smith Surface Prep, Small Line, Wanco, Yanmar

**K** K970 Chain

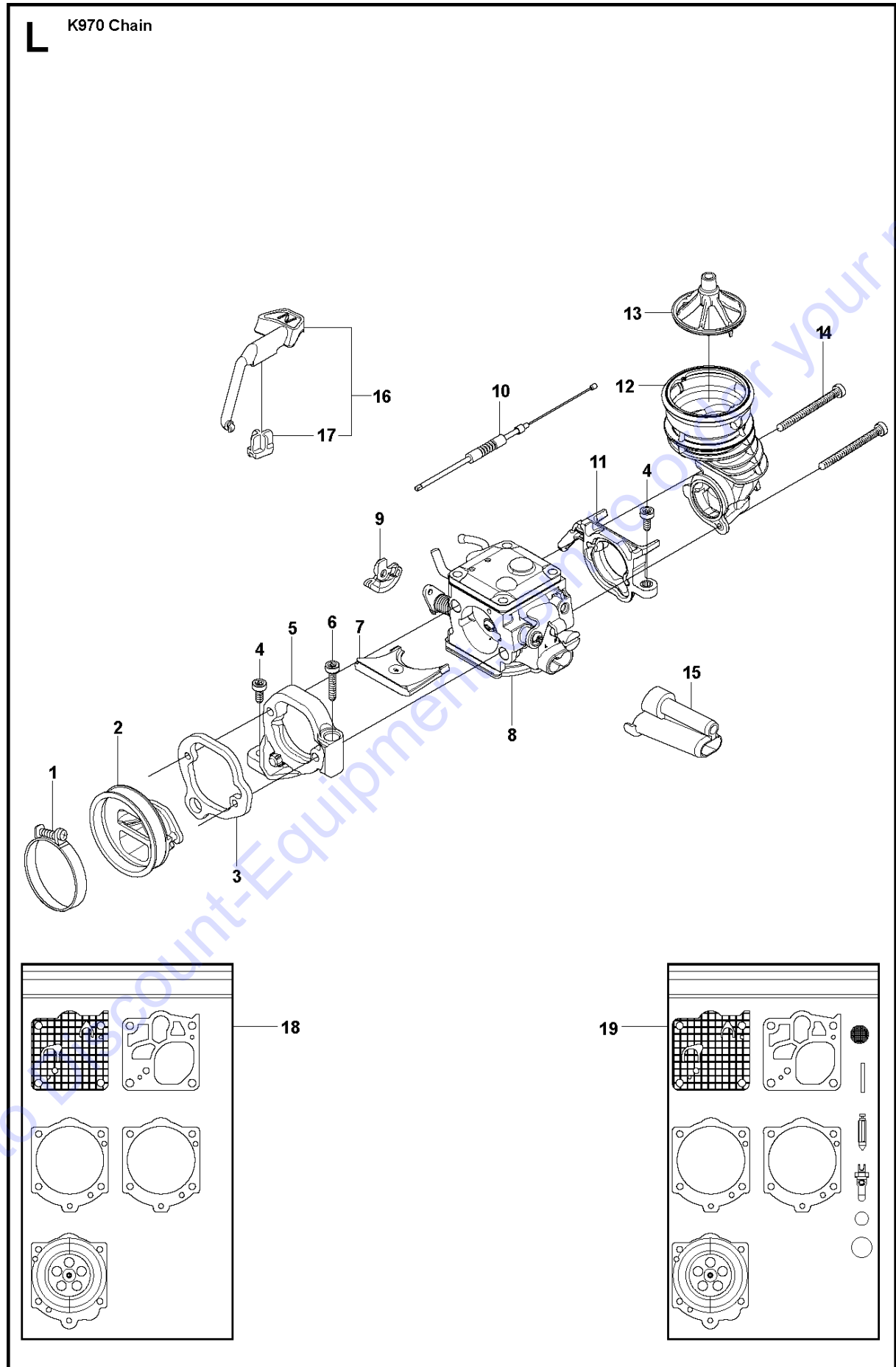


## AIR FILTER

K970 CHAIN, 2011-12

Ref	Part No	Description	Remark	QTY KIT
1	503 21 53-56	SCREW ITXSCM		2
2	503 21 53-26	SCREW ITXSCM		2
3	576 43 14-01	COVER		1
4	729 52 89-71	SCREW CRPANT		2
5	578 06 53-01	SEALING		1
6	576 73 80-01	FILTER COVER		1
7	510 24 41-04	AIR FILTER		1
8	576 42 69-03	CYLINDER COVER	Incl. 9 - 10	1
9	525 61 70-04	SEALING	L=1,2 M. Cut to fit	2
10	525 76 35-01	DECAL		1
11	503 21 53-30	SCREW ITXSCM		2
12	525 57 16-04	DECAL		1

Go to [Discount-Equipment.com](http://Discount-Equipment.com) to order your parts



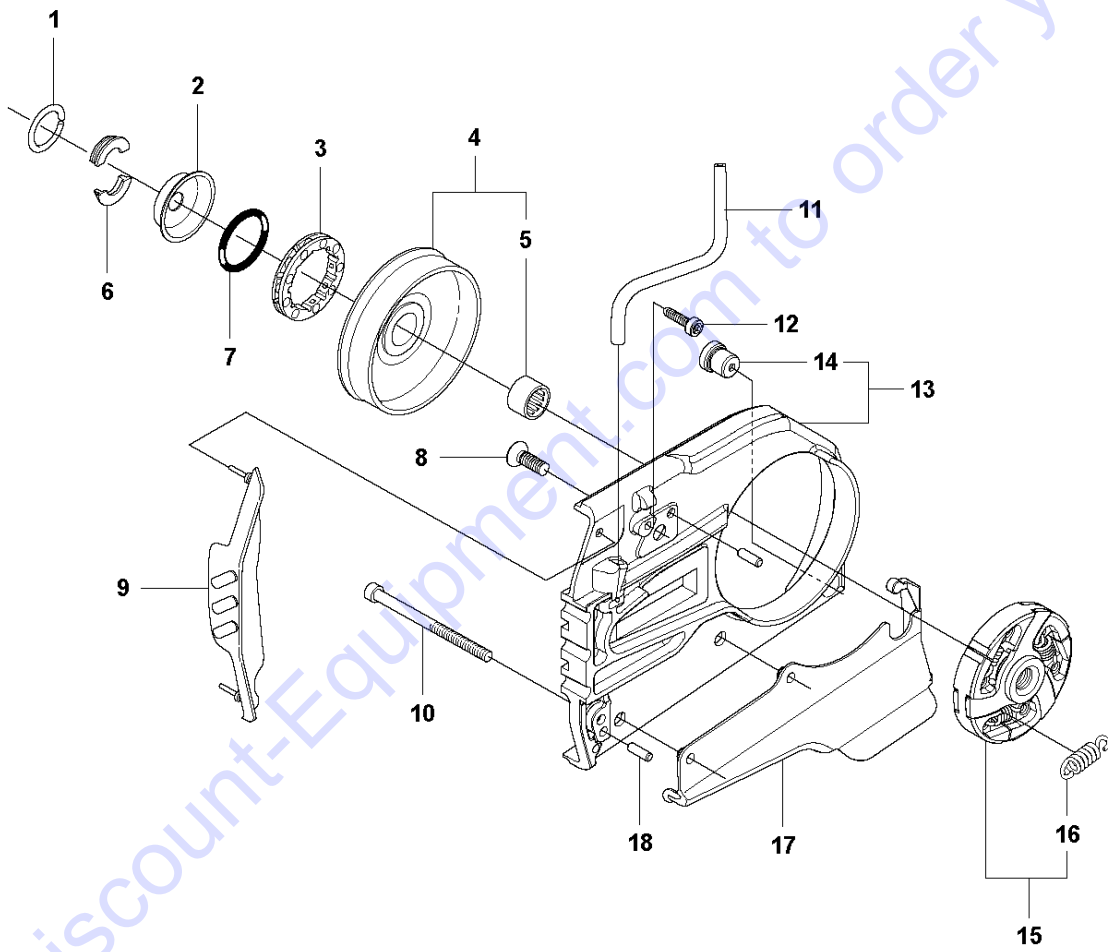
## CARBURETOR

K970 CHAIN, 2011-12

Ref	Part No	Description	Remark	QTY KIT
1	505 28 33-06	HOSE CLAMP		1
2	506 41 41-01	INLET PIPE		1
3	544 15 01-01	FLANGE		1
4	503 21 53-16	SCREW ITXSCM		2
5	544 11 39-01	CONSOLE		1
6	503 21 53-30	SCREW ITXSCM		1
7	506 41 42-01	PLATE		1
8	522 94 20-01	CARBURETTOR	Walbro RWJ-5	1
9	505 14 84-01	LEVER		1
10	576 49 04-01	THROTTLE CABLE ASSY		1
11	522 85 62-01	FLANGE INLET PIPE		1
12	521 92 67-01	INLET PIPE		1
13	510 24 39-01	FILTER		1
14	501 97 18-01	SCREW ITXSCM		2
15	544 23 26-01	CHISEL GUIDE		1
16	506 23 20-11	CHOKE	Incl. 17	1
17	506 27 25-01	WEAR PROTECTION		1
18	502 44 58-01	GASKET KIT	Walbro RWJ-5	1
19	502 44 59-01	REPAIR KIT	Walbro RWJ-5	1

Go to Discount-Equipment.com to order your parts

**B** K970 Chain



## CLUTCH

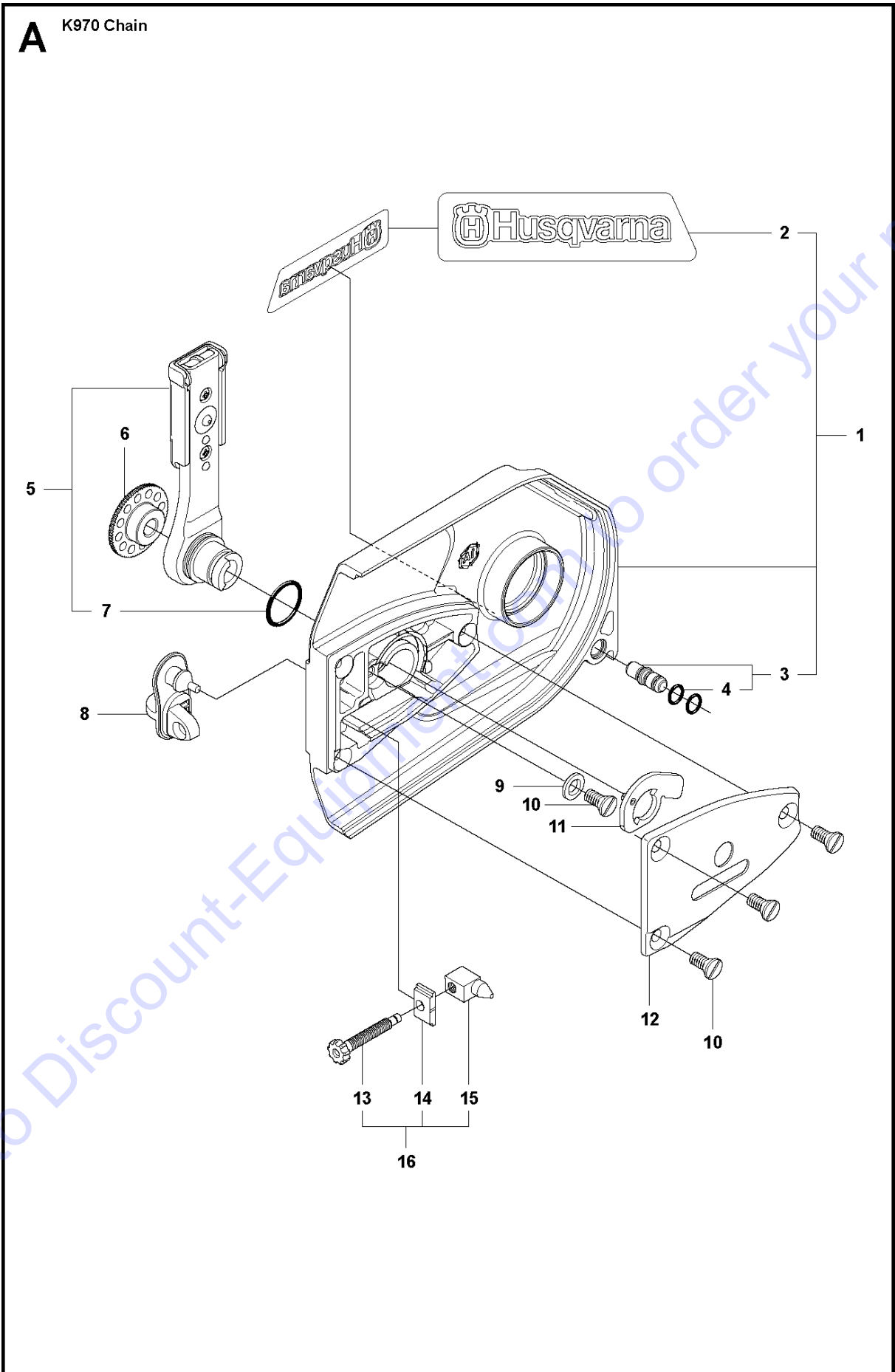
K970 CHAIN, 2011-12

Ref	Part No	Description	Remark	QTY KIT
1	506 28 76-01	FJÄDERRING		1
2	506 33 44-01	SUPPORT CUP		1
3	506 33 42-01	RIM SPROCKET		1
4	506 34 09-11	GEAR WHEEL	Incl. 5	1
5	503 25 53-01	NEEDLE BEARING		1
6	506 28 75-02	CIRCLIP		2
7	740 44 07-00	O-RING		1
8	725 64 53-01	SCREW IHCSFM		1
9	506 35 44-02	WEAR PROTECTION		1
10	503 21 53-65	SCREW ITXSCM		1
11	577 30 84-01	PIPE		1
12	503 21 53-10	SCREW ITXSCM		1
13	506 32 95-05	BAR BRACKET	Incl. 14	1
14	506 40 13-01	BUSHING		1
15	506 33 38-02	CLUTCH ASSY	Incl. 16	1
16	503 14 51-01	CLUTCH SPRING		3
17	506 39 96-02	SHIELD		1
18	720 13 07-10	PARALLEL PIN		2

Go to Discount-Equipment.com to order your parts



**A** K970 Chain



Go to Discount-Equipment.com to order your parts

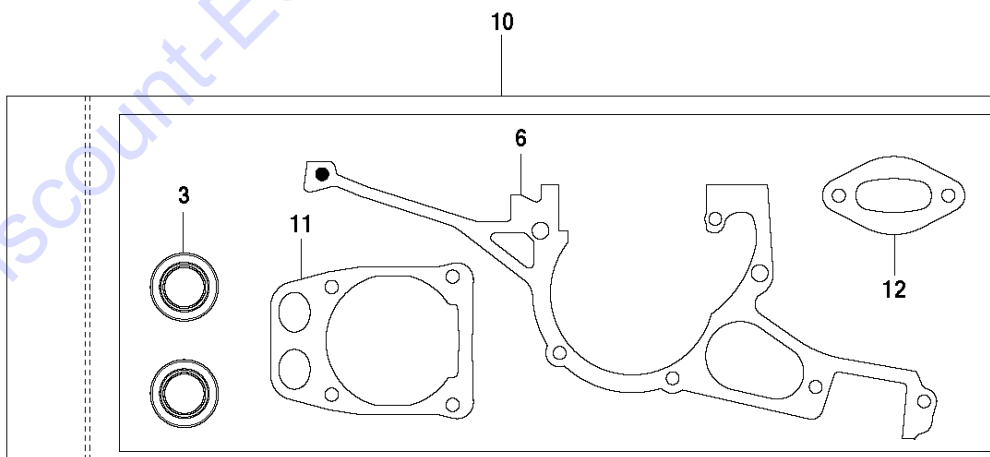
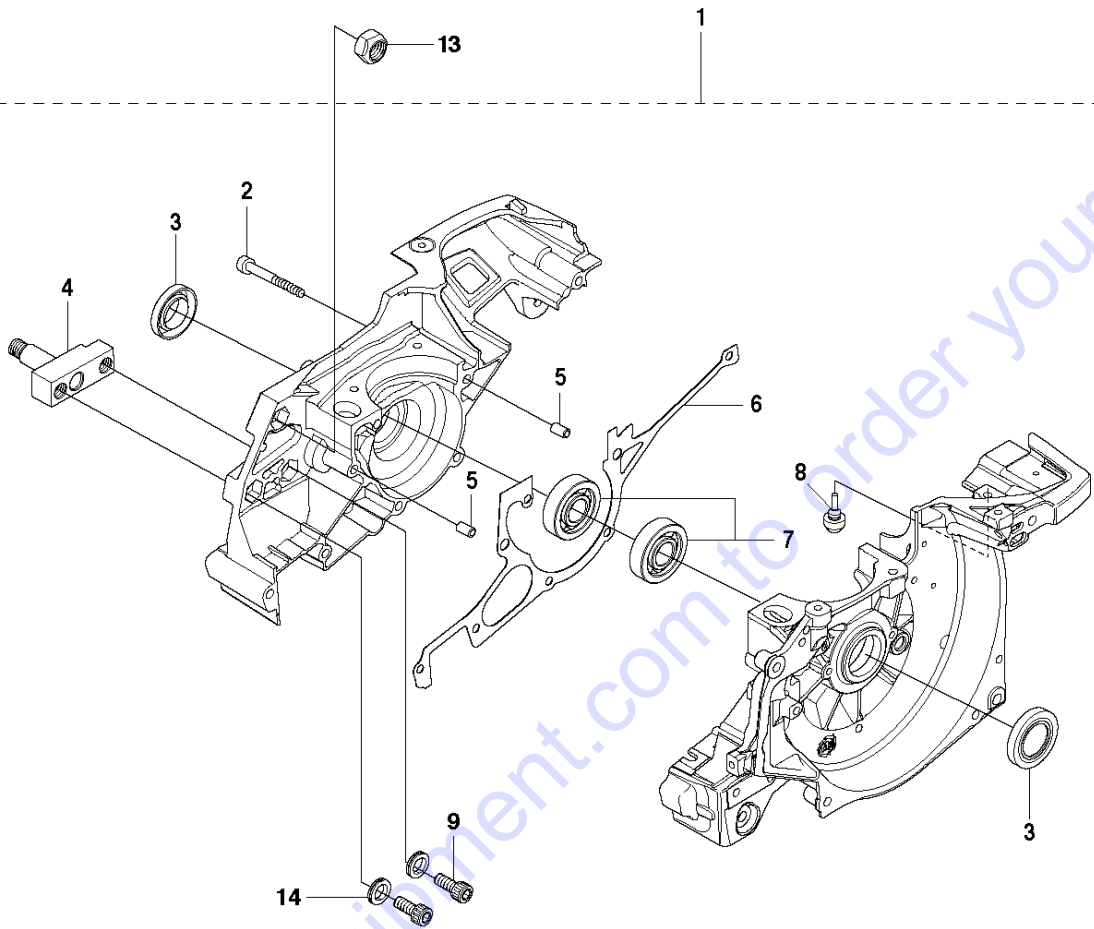
## CLUTCH COVER

K970 CHAIN, 2011-12

Ref	Part No	Description	Remark	QTY KIT
1	506 33 25-05	CLUTCH COVER	Incl. 2, 3	1
2	544 87 23-01	LABEL		1
3	544 05 77-01	GUIDE PIN	Incl. 4	1
4	740 42 04-00	O-RING		2
5	506 34 10-04	LEVER	Incl. 7	1
6	506 39 88-01	ADJUSTING NUT		1
7	740 48 18-02	O-RING		1
8	506 33 34-02	COVER		1
9	506 33 28-01	LOCKWASHER		1
10	723 53 27-51	SCREW SLCSFM		3
11	506 34 72-01	LEVER		1
12	506 33 35-01	HUB CAP		1
13	506 38 77-01	SCREW		1
14	506 33 32-01	PLATE		1
15	506 33 33-01	PAWL		1
16	506 35 94-03	SCREW	Incl. 13 - 15	1

Go to [Discount-Equipment.com](http://Discount-Equipment.com) to order your parts

**C** K970 Chain



Go to Discount-Equipment.com to order your parts

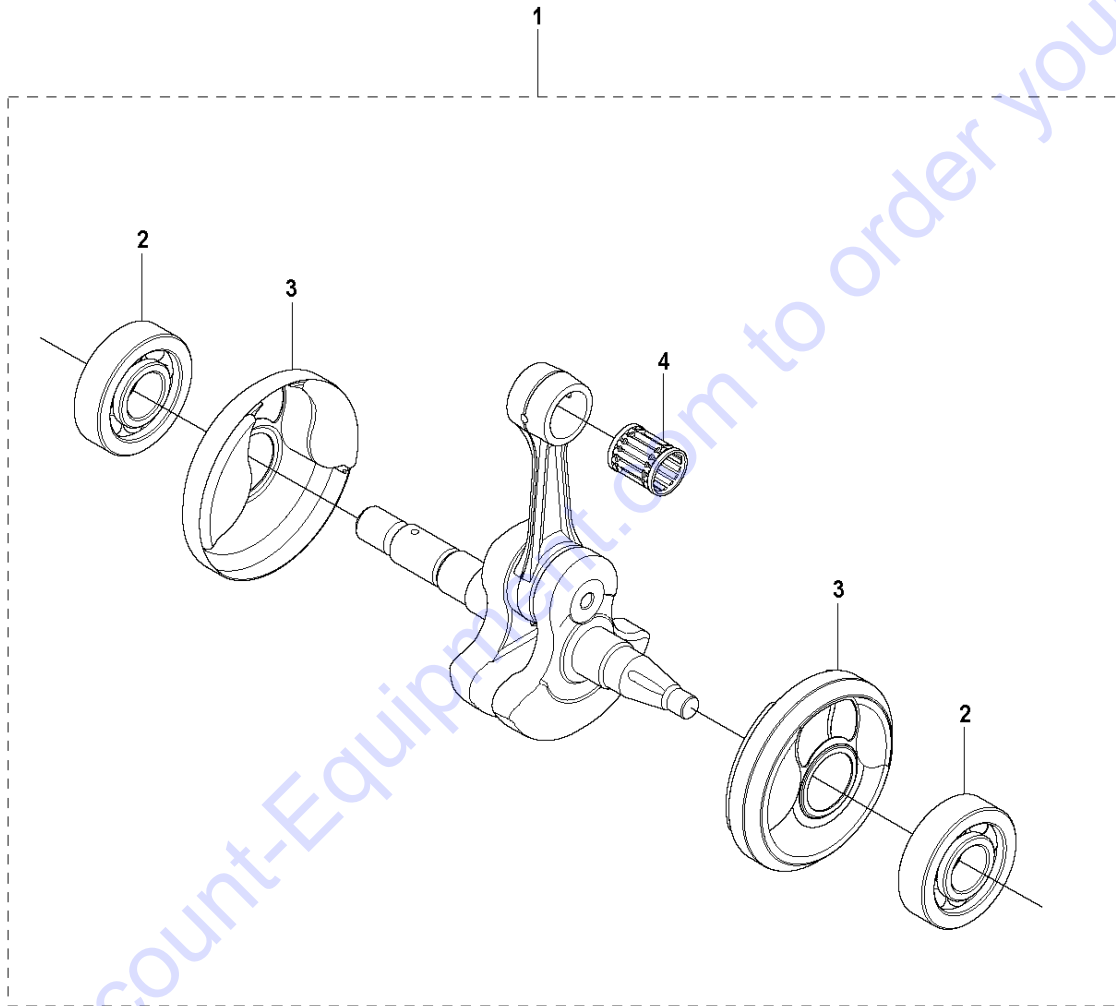
## CRANKCASE

K970 CHAIN, 2011-12

Ref	Part No	Description	Remark	QTY KIT
1	576 82 16-01	CRANKCASE ASSY	Incl. 2 - 12	1
2	503 21 53-49	SCREW ITXSCM		7
3	503 26 02-04	SEALING RING		2
4	506 32 76-02	BAR BOLT		1
5	501 27 08-01	GUIDE BUSHING		2
6	506 41 39-04	GASKET		1
7	503 25 00-02	BALL BEARING		2
8	522 85 61-01	RUBBER BUSHING		1
9	725 54 53-01	SCREW IHSCM		2
10	544 22 98-05	GASKET KIT	Incl. 3 , 7, 11 - 12	1
11	576 49 94-01	GASKET		1
12	506 37 81-01	GASKET		1
13	503 22 21-02	LOCK NUT		1
14	503 23 04-03	WASHER		2

Go to [Discount-Equipment.com](http://Discount-Equipment.com) to order your parts

**E** K970 Chain



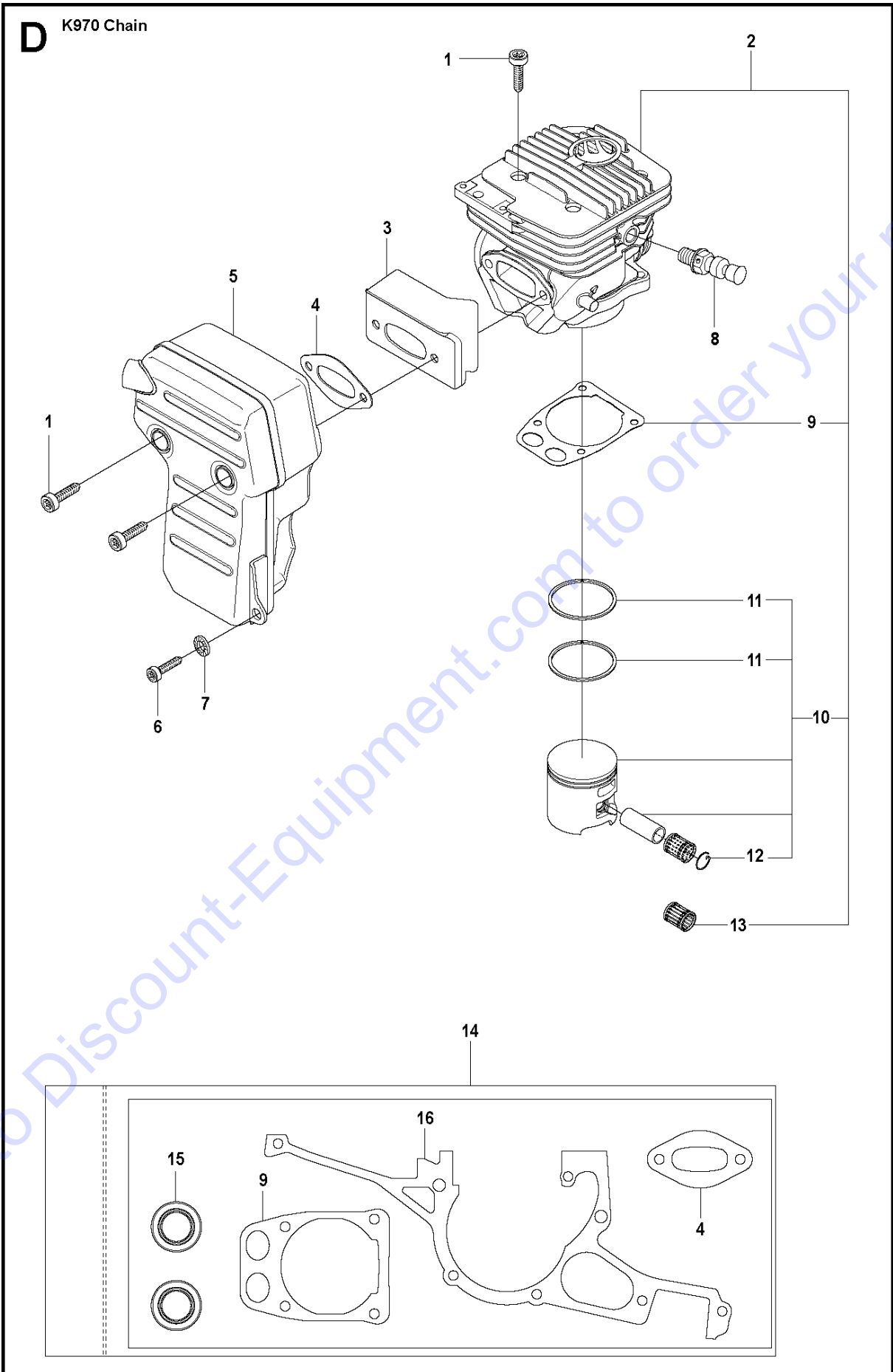
Go to Discount-Equipment.com to order your parts

## CRANKSHAFT

K970 CHAIN, 2011-12

Ref	Part No	Description	Remark	QTY KIT
1	544 98 39-02	CRANKSHAFT ASSY	Incl. 2 - 4	1
2	503 25 00-02	BALL BEARING		2
3	506 41 44-01	CUP		2
4	503 25 61-01	NEEDLE BEARING		1

Go to [Discount-Equipment.com](http://Discount-Equipment.com) to order your parts



## CYLINDER, PISTON &amp; MUFFLER

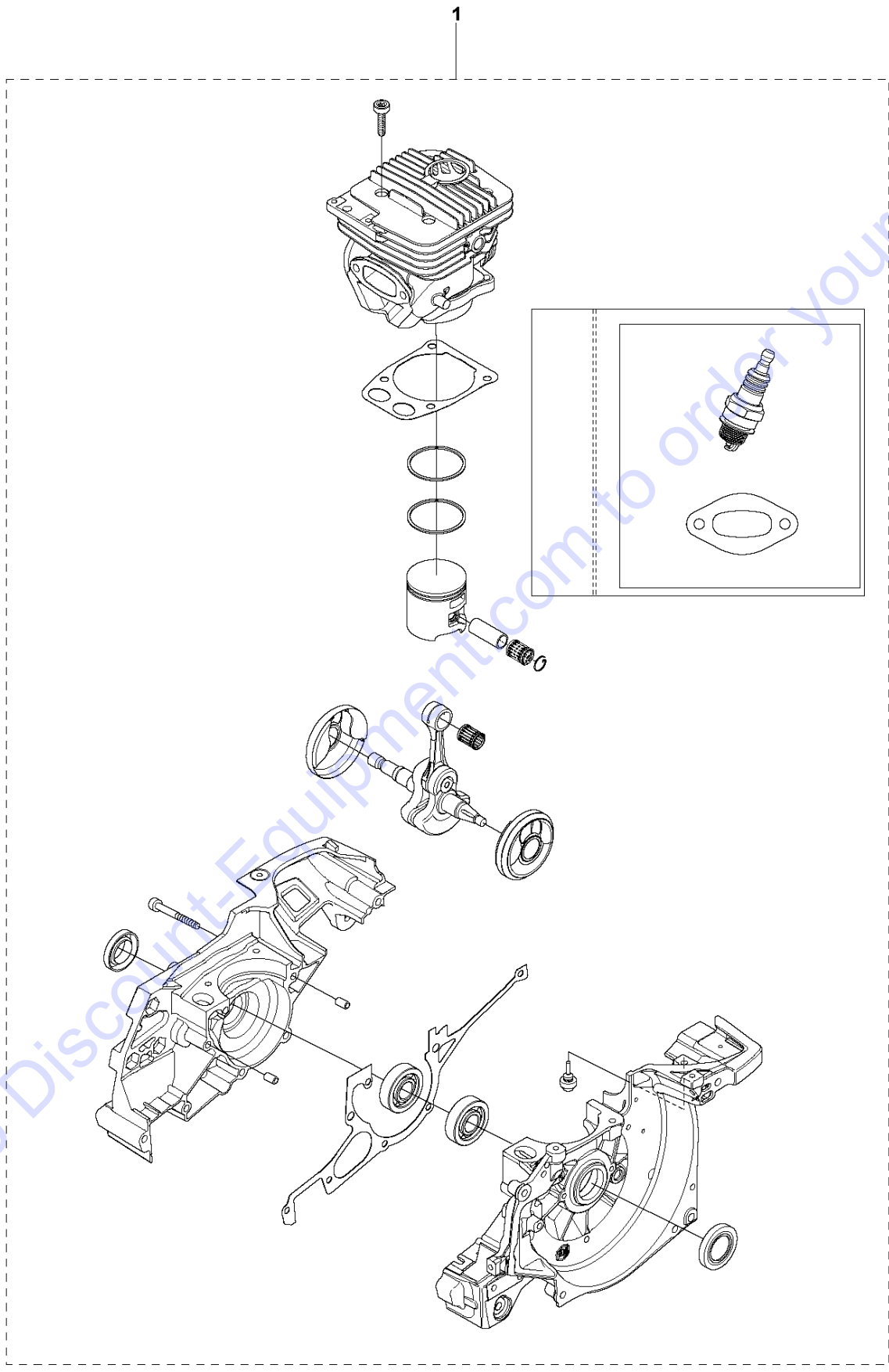
K970 CHAIN, 2011-12

Ref	Part No	Description	Remark	QTY KIT
1	544 21 84-01	SCREW ITXSCM		6
2	544 93 56-05	CYLINDER ASSY	Incl. 9, 10, 13	1
3	577 99 76-02	HEAT DEFLECTOR		1
4	506 37 81-01	GASKET		1
5	506 37 28-01	MUFFLER ASSY		1
6	503 21 53-25	SCREW ITXSCM		1
7	503 23 04-02	WASHER		1
8	503 66 56-01	DECOMPRESSION VALVE		1
9	576 49 94-01	GASKET		1
10	506 41 32-02	PISTON	Incl. 11, 12	1
11	503 28 90-35	PISTON RING		2
12	737 44 13-00	CIRCLIP		2
13	503 25 61-01	NEEDLE BEARING		1
14	544 22 98-03	GASKET KIT	Incl. 4, 9, 15 - 16	1
15	503 26 02-04	SEALING RING		2
16	506 41 39-04	GASKET		1

Go to [Discount-Equipment.com](http://Discount-Equipment.com) to order your parts



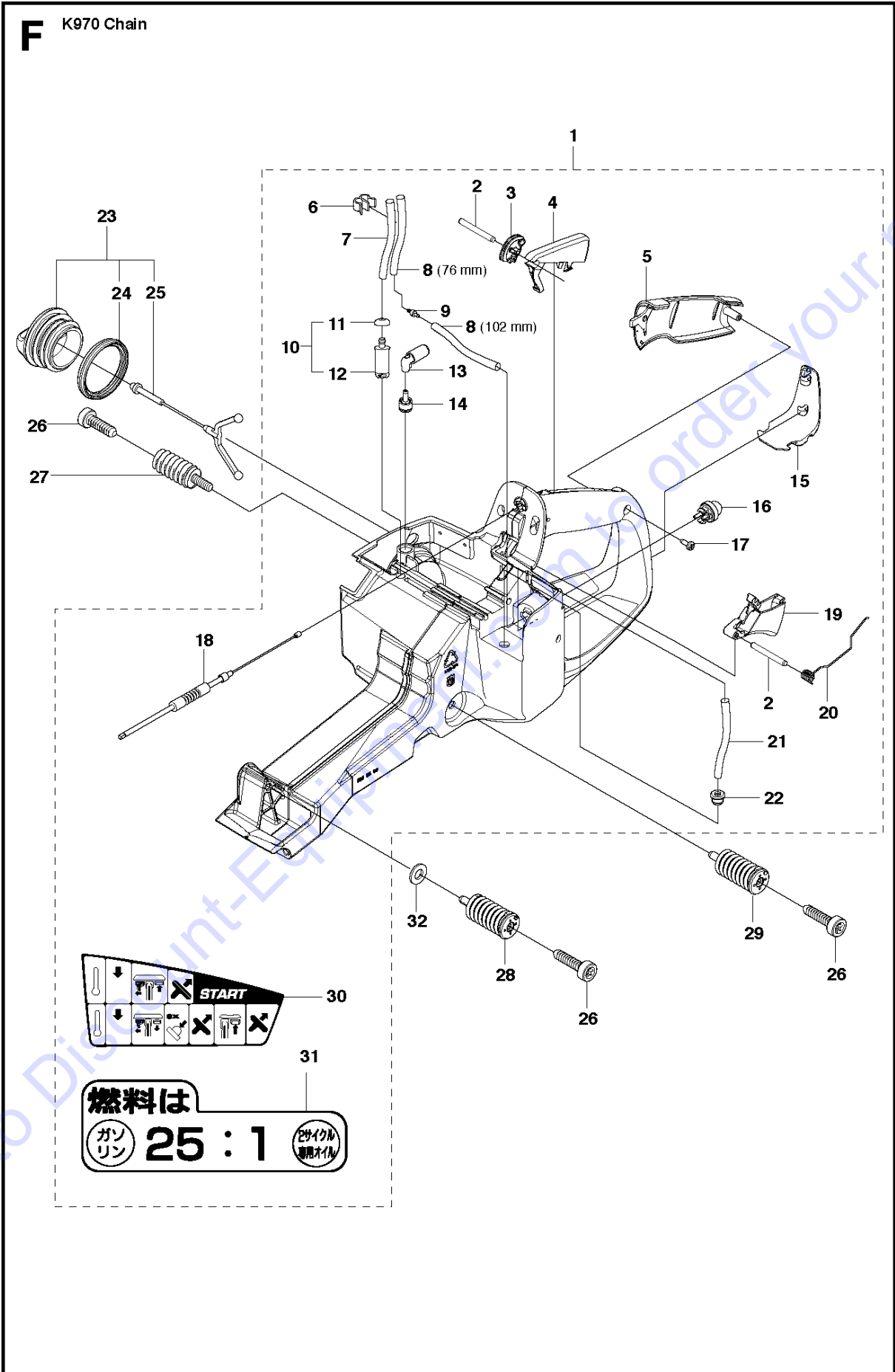
**N** K970 Chain



Go to Discount-Equipment.com to order your parts

Ref	Part No	Description	Remark	QTY KIT
1	576 82 16-03	CRANKCASE ASSY		1

Go to [Discount-Equipment.com](http://Discount-Equipment.com) to order your parts

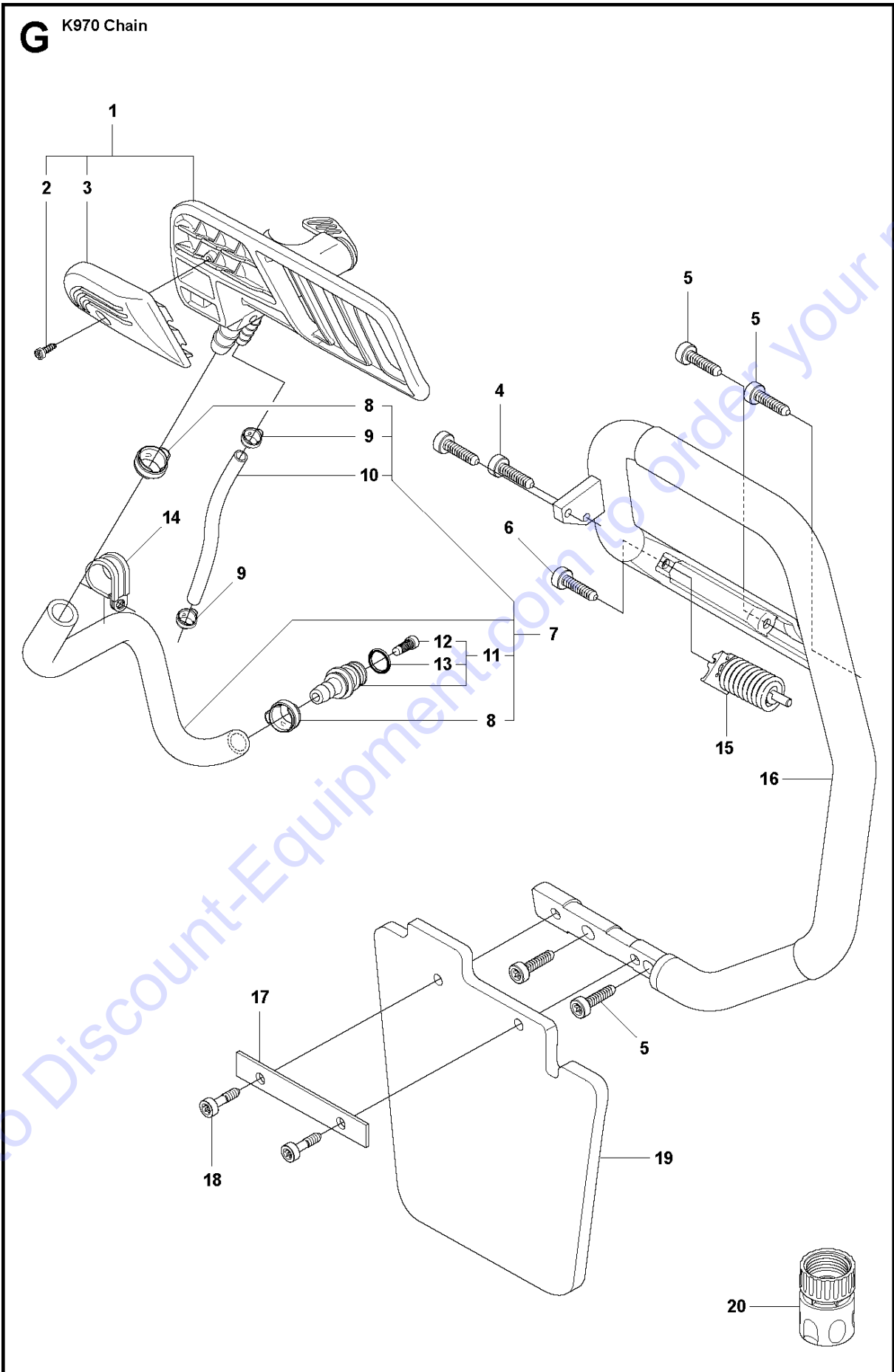


## FUEL TANK

K970 CHAIN, 2011-12

Ref	Part No	Description	Remark	QTY KIT
1	574 50 58-05	FUEL TANK ASSY	Incl. 2 - 21	1
2	720 12 40-20	PARALLEL PIN		2
3	537 20 85-01	CABLE LEVER		1
4	510 25 52-01	THROTTLE LOCKOUT		1
5	537 20 56-01	COVER		1
6	574 44 42-01	CLIP		1
7	544 32 50-02	FUEL HOSE	300 mm	1
8	537 04 24-04	FUEL HOSE	190 mm	1
9	575 52 65-01	CHECK VALVE		1
10	506 26 41-11	FUEL FILTER	Incl. 11 - 12	1
11	506 27 11-01	HOSE CLAMP		1
12	506 26 41-01	FUEL FILTER		1
13	522 79 96-01	HOLDER ASSY		1
14	537 35 95-01	TANK VENT ASSY		1
15	502 47 16-01	GROUND SUPPORT		1
16	540 05 49-02	AIR PURGE		1
17	503 21 28-10	SCREW CCRPANT		1
18	576 49 04-01	THROTTLE CABLE ASSY		1
19	502 47 18-01	THROTTLE CONTROL		1
20	537 20 98-01	SPRING		1
21	544 32 49-30	FUEL HOSE	70 mm	1
22	503 73 58-01	BUSHING		1
23	506 25 59-03	TANK CAP ASSY	Incl. 24 - 25	1
24	506 29 21-01	GASKET		1
25	503 57 89-01	HOLDER		1
26	544 06 12-01	SCREW ITXSCM		3
27	537 21 03-09	ANTIVIBRATION ELEMENT		1
28	537 21 03-10	ANTIVIBRATION ELEMENT		1
29	537 21 03-05	ANTIVIBRATION ELEMENT		1
30	525 57 20-01	DECAL		1
31	506 31 30-01	LABEL		1
32	503 23 00-80	WASHER		1

Go to Discount-Equipment.com to order your parts



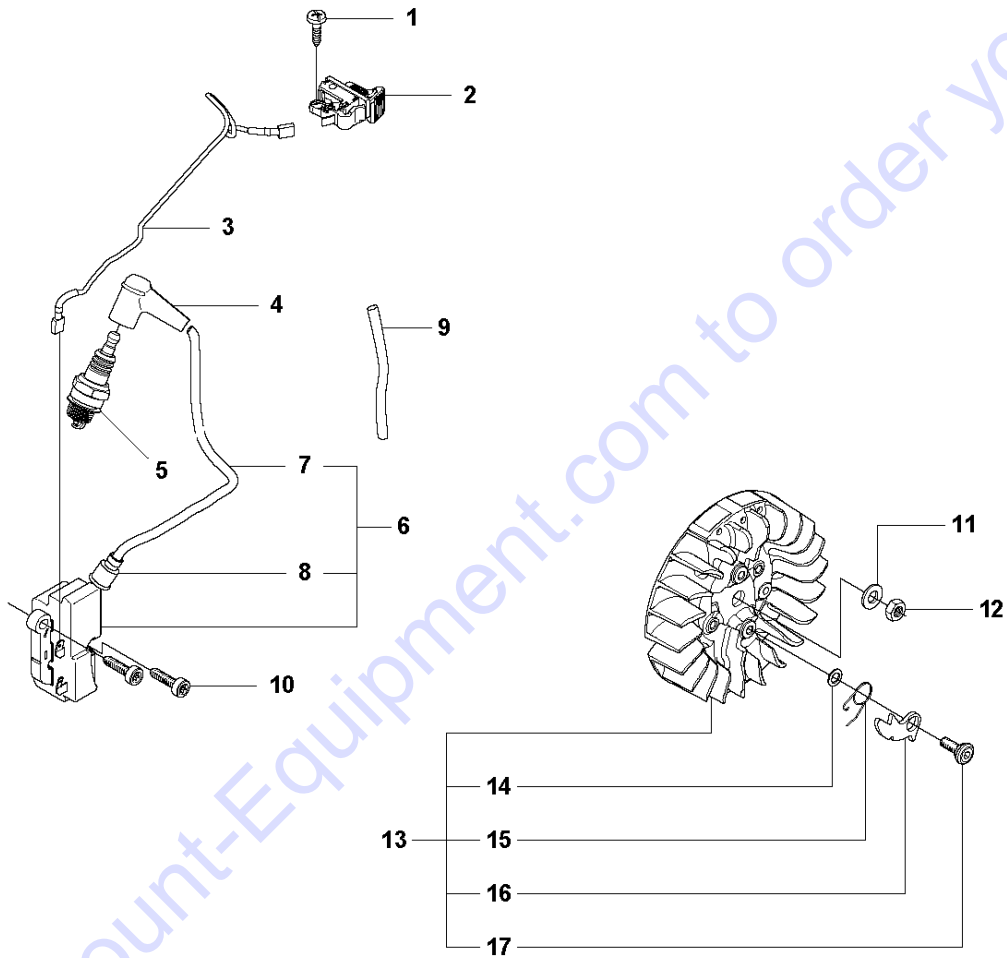
## HANDLE

K970 CHAIN, 2011-12

Ref	Part No	Description	Remark	QTY KIT
20	503 26 60-03	COUPLER	USA, Canada	1
19	506 33 46-01	SPRAY GUARD		1
1	505 02 99-01	HAND GUARD	Incl. 2-3	1
2	503 21 27-10	SCREW CCRPANT		1
3	506 33 24-02	RUBBER BLOCK		1
4	504 90 94-25	SCREW ITXSCT		2
5	503 21 54-20	SCREW ITXSCT		4
6	544 06 12-01	SCREW ITXSCT		1
7	506 32 89-51	HOSE KIT	Incl. 8 - 11	1
8	506 09 56-02	HOSE CLAMP		1
9	506 09 56-04	HOSE CLAMP		2
10	506 35 25-01	HOSE		1
11	506 29 57-01	NIPPLE	Incl. 12, 13	1
12	506 29 88-01	FILTER		1
13	503 26 30-21	O-RING		1
14	502 41 22-01	CLIP		1
15	505 42 45-03	ANTIVIBRATION ELEMENT		1
16	523 03 27-01	HANDLE		1
17	506 33 45-01	BACKING PLATE		1
18	501 98 10-20	SCREW ITXSCT		2
20	503 26 60-04	COUPLER		1

Go to Discount-Equipment.com to order your parts

**J** K970 Chain



Go to Discount-Equipment.com to order your parts

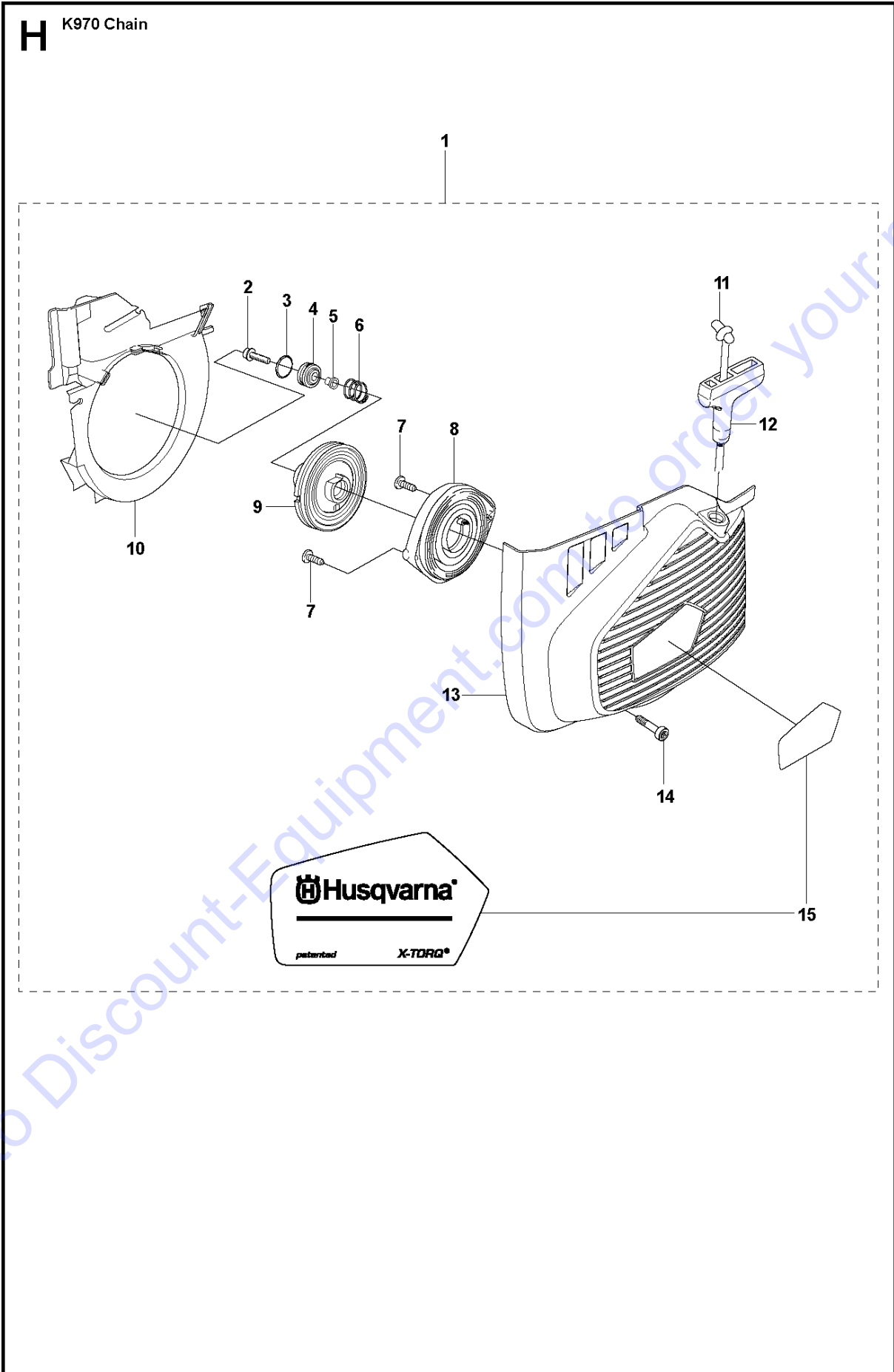
## IGNITION SYSTEM

K970 CHAIN, 2011-12

Ref	Part No	Description	Remark	QTY KIT
1	503 21 28-06	SCREW CCRPANT		1
2	506 31 86-02	STOP SWITCH		1
3	501 83 98-01	CABLE		1
4	501 48 54-02	SPARK PLUG CAP		1
5	503 23 51-09	SPARK PLUG	RCJ 6Y	1
6	510 11 56-01	IGNITION MODULE	Incl. 7 - 8	1
7	506 38 78-34	IGNITION CABLE		1
8	505 27 75-16	ISOLERHATT		1
9	576 85 16-02	PROTECTIVE HOSE		1
10	503 21 53-20	SCREW ITXSCM		2
11	503 23 01-01	WASHER		1
12	503 22 10-11	HEXAGON NUT		1
13	501 37 56-04	FLYWHEEL	Incl. 14 - 17	1
14	503 23 00-42	WASHER		2
15	501 63 48-01	SPRING		2
16	501 67 32-03	PAWL		2
17	506 00 69-01	SCREW		2

Go to Discount-Equipment.com to order your parts





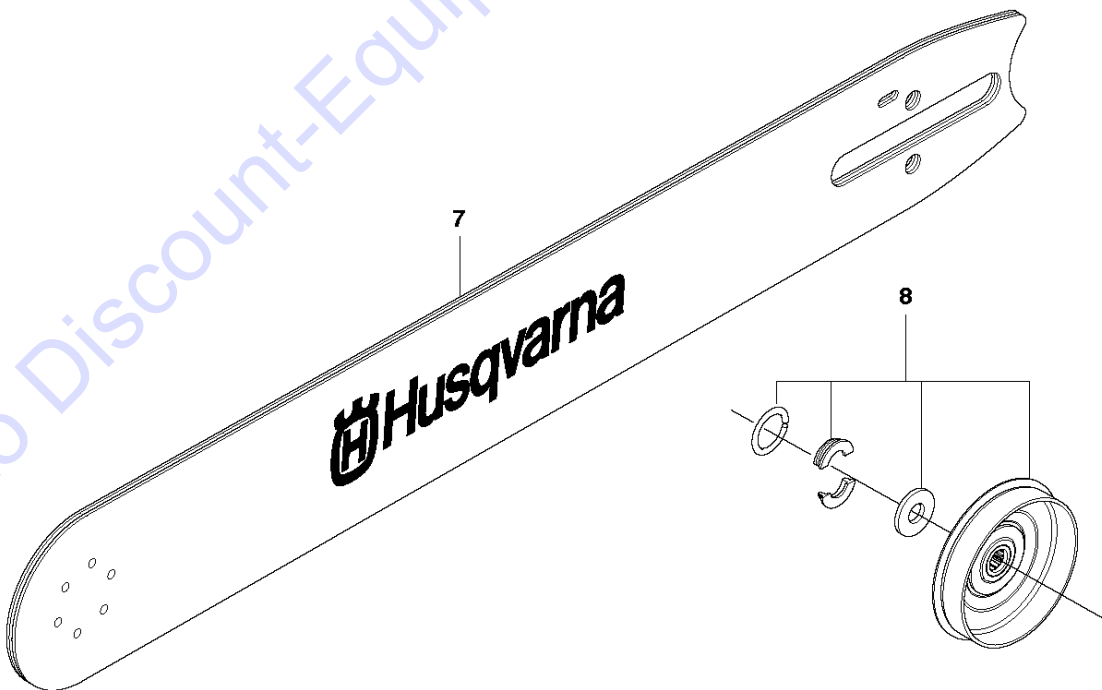
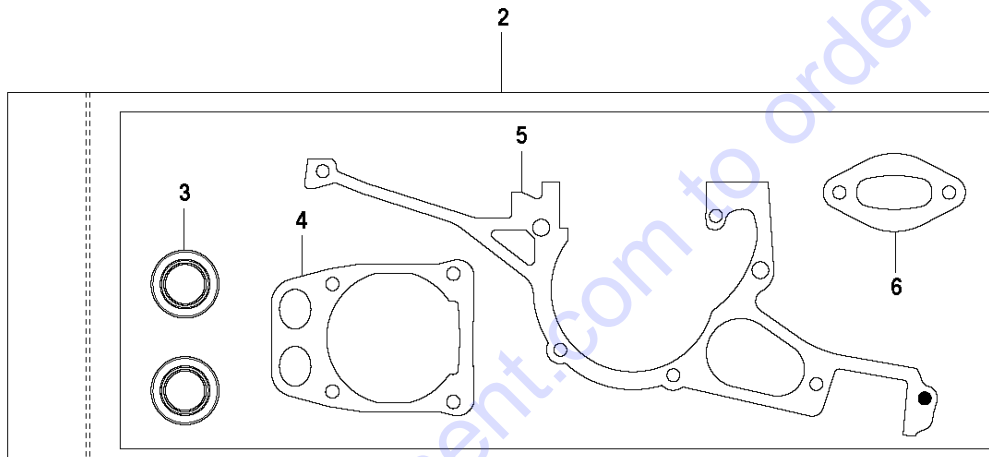
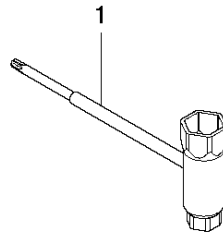
## STARTER

K970 CHAIN, 2011-12

Ref	Part No	Description	Remark	QTY KIT
1	574 50 73-03	STARTER ASSY	Incl. 2 - 15	1
2	503 21 07-22	SCREW IH SCT		1
3	740 43 13-00	O-RING		1
4	506 25 14-01	GROMMET		1
5	506 26 31-01	SPACING SLEEVE		1
6	506 25 30-01	COMPRESSION SPRING		1
7	503 21 28-10	SCREW CCRPANT		2
8	506 25 89-01	RECOIL SPRING		1
9	506 25 81-02	STARTER PULLEY		1
10	544 28 75-02	AIR CONDUCTOR		1
11	506 33 56-15	STARTER CORD		1
11	506 33 56-50	STARTER CORD	50 m Coil	1
12	503 12 79-01	STARTER HANDLE		1
13	505 34 94-01	STARTER COVER		1
14	501 98 10-20	SCREW ITXSCM		4
15	525 57 11-01	DECAL		1

Go to [Discount-Equipment.com](http://Discount-Equipment.com) to order your parts

**M** K970 Chain  
 Accessories  
 Zubehöre  
 Accessoires  
 Accesorios  
 Tillbehör



Go to Discount-Equipment.com to order your parts

## TOOLS

K970 CHAIN, 2011-12

Ref	Part No	Description	Remark	QTY KIT
1	506 38 26-01	TOOL		1
2	544 22 98-03	GASKET KIT	Incl. 3 - 6	1
3	503 26 02-04	SEALING RING		2
4	576 49 94-01	GASKET		1
5	506 41 39-04	GASKET		1
6	506 37 81-01	GASKET		1
7	506 34 62-02	BAR		1
8	588 67 97-01	GEAR WHEEL		1

Go to [Discount-Equipment.com](http://Discount-Equipment.com) to order your parts

# PARTS FINDER

**Search Website  
by Part Number**



**Search Manual  
Library For Parts  
Manual & Lookup Part  
Numbers – Purchase  
or Request Quote**

**Search Manuals**

Enter your information to help us find the right parts manual for your machine.

\* Brand:

\* Model:

\* Serial:

\* Part Number:

SEARCH

**Can't Find Part or  
Manual? Request Help  
by Manufacturer,  
Model & Description**

**Parts Order Form**

Please fill in the following information to help us find the right part for your machine.

MANUFACTURER:

MODEL:

DESCRIPTION:

DATE:

NAME:

PHONE:

EMAIL:

ADDRESS:

CITY:

STATE:

ZIP:

REQUEST QUOTE

Discount-Equipment.com is your online resource for quality parts & equipment.

Florida: **561-964-4949** Outside Florida TOLL FREE: **877-690-3101**

**Need parts?**

Click on this link: <http://www.discount-equipment.com/category/5443-parts/> and choose one of the options to help get the right parts and equipment you are looking for. Please have the machine model and serial number available in order to help us get you the correct parts. If you don't find the part on the website or on one of the online manuals, please fill out the request form and one of our experienced staff members will get back to you with a quote for the right part that your machine needs.

We sell worldwide for the brands: Genie, Terex, JLG, MultiQuip, Mikasa, Essick, Whiteman, Mayco, Toro Stone, Diamond Products, Generac Magnum, Airman, Haulotte, Barreto, Power Blanket, Nifty Lift, Atlas Copco, Chicago Pneumatic, Allmand, Miller Curber, Skyjack, Lull, Skytrak, Tsurumi, Husquvarna Target, Stow, Wacker, Sakai, Mi-T-M, Sullair, Basic, Dynapac, MBW, Weber, Bartell, Bennar Newman, Haulotte, Ditch Runner, Menegotti, Morrison, Contec, Buddy, Crown, Edco, Wyco, Bomag, Laymor, EZ Trench, Bil-Jax, F.S. Curtis, Gehl Pavers, Heli, Honda, ICS/PowerGrit, IHI, Partner, Imer, Clipper, MMD, Koshin, Rice, CH&E, General Equipment, Amida, Coleman, NAC, Gradall, Square Shooter, Kent, Stanley, Tamco, Toku, Hatz, Kohler, Robin, Wisconsin, Northrock, Oztec, Toker TK, Rol-Air, APT, Wylie, Ingersoll Rand / Doosan, Innovatech, Con X, Ammann, Mecalac, Makinex, Smith Surface Prep, Small Line, Wanco, Yanmar