



# SPARE PARTS LIST

## TROWELS

CRT36-26A, 970461401, 2020-02

Go to [Discount-Equipment.com](https://Discount-Equipment.com) to order your parts



# PARTS FINDER

**Search Website  
by Part Number**



**Search Manual  
Library For Parts  
Manual & Lookup Part  
Numbers – Purchase  
or Request Quote**

**Search Manuals**

Enter your information to help us find the right parts manual for your machine.

\* Brand:

\* Model:

\* Serial:

\* Part Number:

SEARCH

**Can't Find Part or  
Manual? Request Help  
by Manufacturer,  
Model & Description**

**Parts Order Form**

Please fill in the following information to help us find the right part for your machine.

Manufacturer:	<input type="text"/>
Model:	<input type="text"/>
Description:	<input type="text"/>
Part Number:	<input type="text"/>
Quantity:	<input type="text"/>
Notes:	<input type="text"/>

Submit

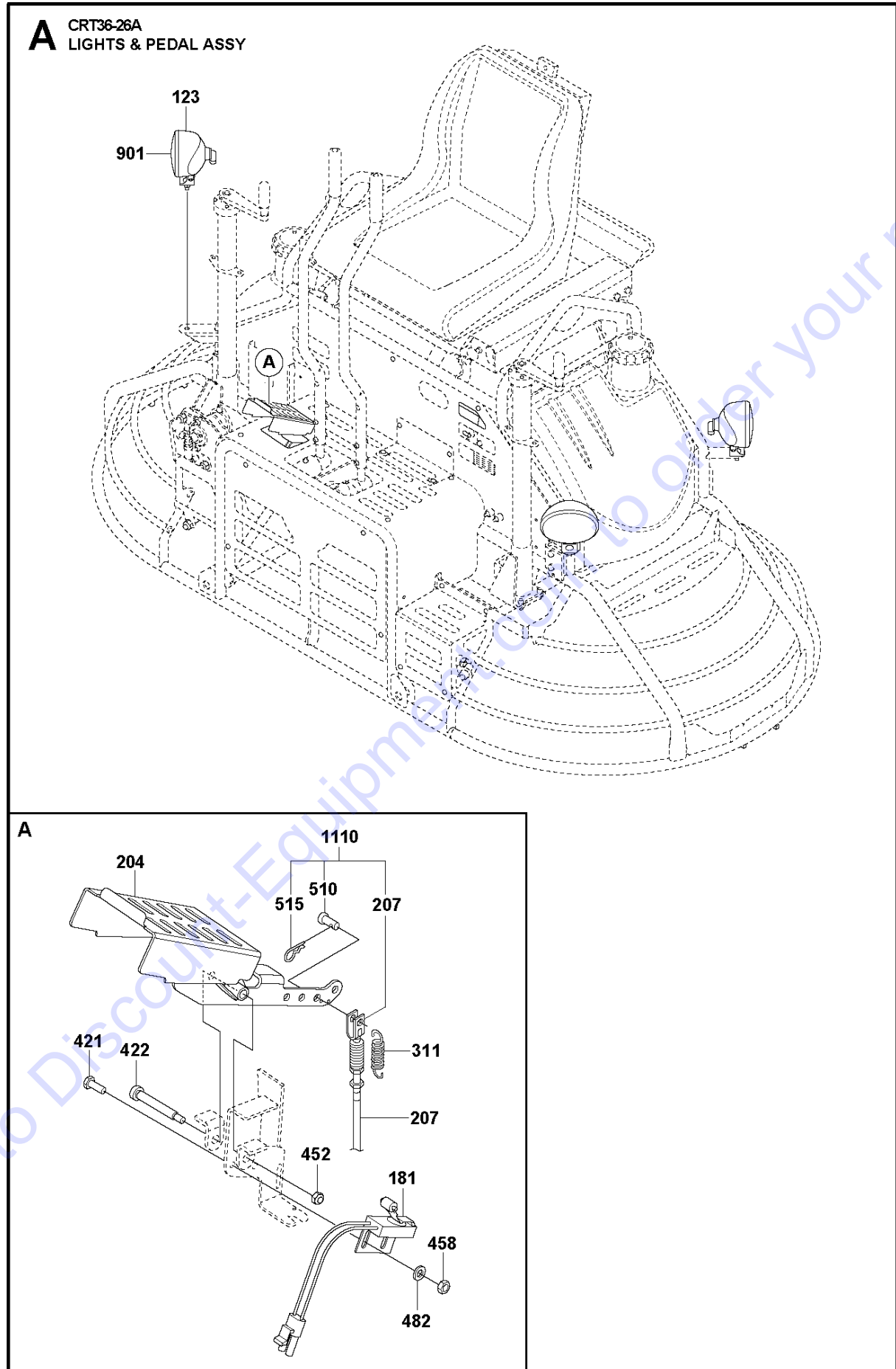
Discount-Equipment.com is your online resource for quality parts & equipment.

Florida: **561-964-4949** Outside Florida TOLL FREE: **877-690-3101**

**Need parts?**

Click on this link: <http://www.discount-equipment.com/category/5443-parts/> and choose one of the options to help get the right parts and equipment you are looking for. Please have the machine model and serial number available in order to help us get you the correct parts. If you don't find the part on the website or on one of the online manuals, please fill out the request form and one of our experienced staff members will get back to you with a quote for the right part that your machine needs.

We sell worldwide for the brands: Genie, Terex, JLG, MultiQuip, Mikasa, Essick, Whiteman, Mayco, Toro Stone, Diamond Products, Generac Magnum, Airman, Haulotte, Barreto, Power Blanket, Nifty Lift, Atlas Copco, Chicago Pneumatic, Allmand, Miller Curber, Skyjack, Lull, Skytrak, Tsurumi, Husquvarna Target, Stow, Wacker, Sakai, Mi-T-M, Sullair, Basic, Dynapac, MBW, Weber, Bartell, Bennar Newman, Haulotte, Ditch Runner, Menegotti, Morrison, Contec, Buddy, Crown, Edco, Wyco, Bomag, Laymor, EZ Trench, Bil-Jax, F.S. Curtis, Gehl Pavers, Heli, Honda, ICS/PowerGrit, IHI, Partner, Imer, Clipper, MMD, Koshin, Rice, CH&E, General Equipment, Amida, Coleman, NAC, Gradall, Square Shooter, Kent, Stanley, Tamco, Toku, Hatz, Kohler, Robin, Wisconsin, Northrock, Oztec, Toker TK, Rol-Air, APT, Wylie, Ingersoll Rand / Doosan, Innovatech, Con X, Ammann, Mecalac, Makinex, Smith Surface Prep, Small Line, Wanco, Yanmar



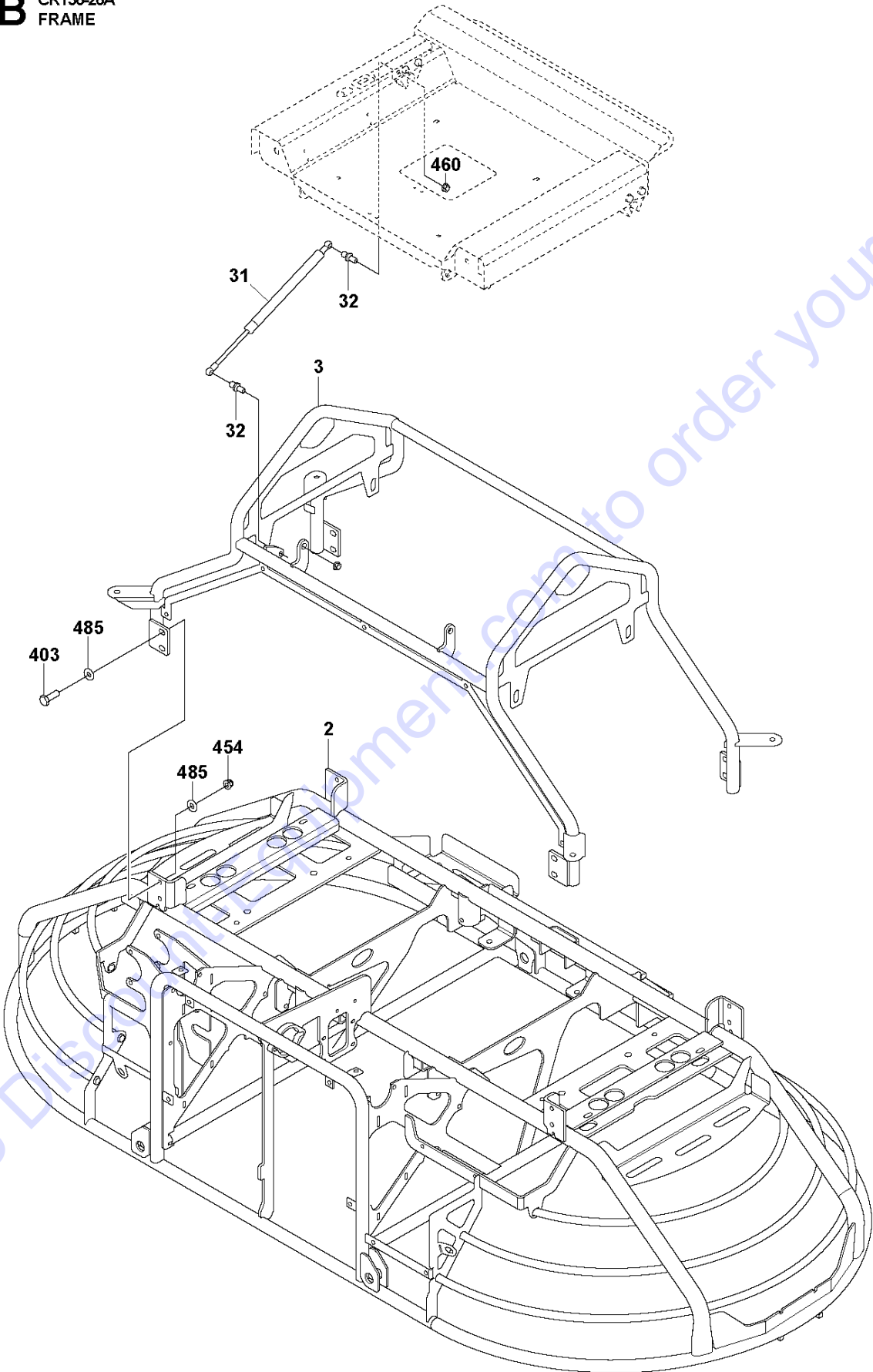
## LIGHTS &amp; PEDAL ASSY

CRT36-26A, 970461401, 2020-02

Ref	Part No	Description	Remark	QTY	KIT
123	599 04 10-01	LIGHT	Complete	4	
181	598 99 46-01	SWITCH		1	
204	599 03 56-01	LEVER		1	
207	599 04 06-01	CABLE		1	1110
311	599 17 19-01	SPRING		1	
421	725 23 29-71	SCREW EHHM	M5x16, 6Nm/4ft.lbs, DIN933	2	
422	599 17 18-01	SCREW	M6 x 50	1	
452	531 20 84-91	NUT	M6, DIN985	1	
458	732 21 14-01	LOCK NUT		2	
482	734 11 46-01	WASHER		2	
510	599 16 52-01	PIN	Clevis, 1/4 x 1/2"	1	1110
515	599 16 35-01	PIN	Cotter, 1-3/16 x 0,073	1	1110
901	599 46 35-01	BULB		4	
1110	599 55 85-01	THROTTLE CABLE		1	

Go to Discount-Equipment.com to order your parts

**B** CRT36-26A  
FRAME

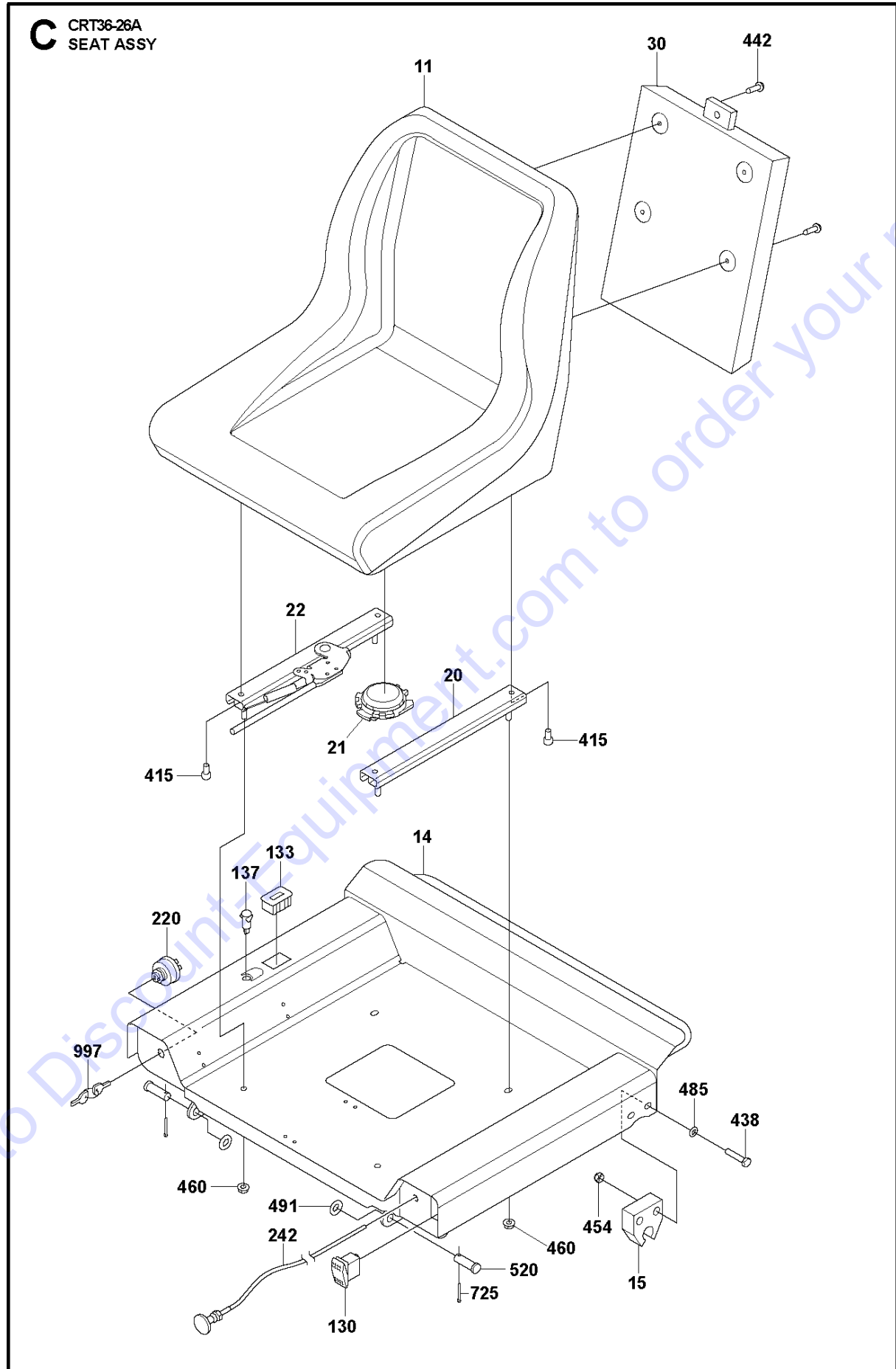


## FRAME

CRT36-26A, 970461401, 2020-02

Ref	Part No	Description	Remark	QTY KIT
2	599 03 11-01	FRAME		1
3	599 03 12-01	FRAME	Upper	1
31	599 03 31-01	CYLINDER		1
32	599 16 87-01	STUD	M8x10	1
403	725 24 53-71	SCREW EHHM		8
485	734 11 63-01	WASHER		16
454	522 91 94-01	LOCK NUT		8
460	576 64 57-04	NUT FLANGE		2

Go to [Discount-Equipment.com](https://Discount-Equipment.com) to order your parts



## SEAT ASSY

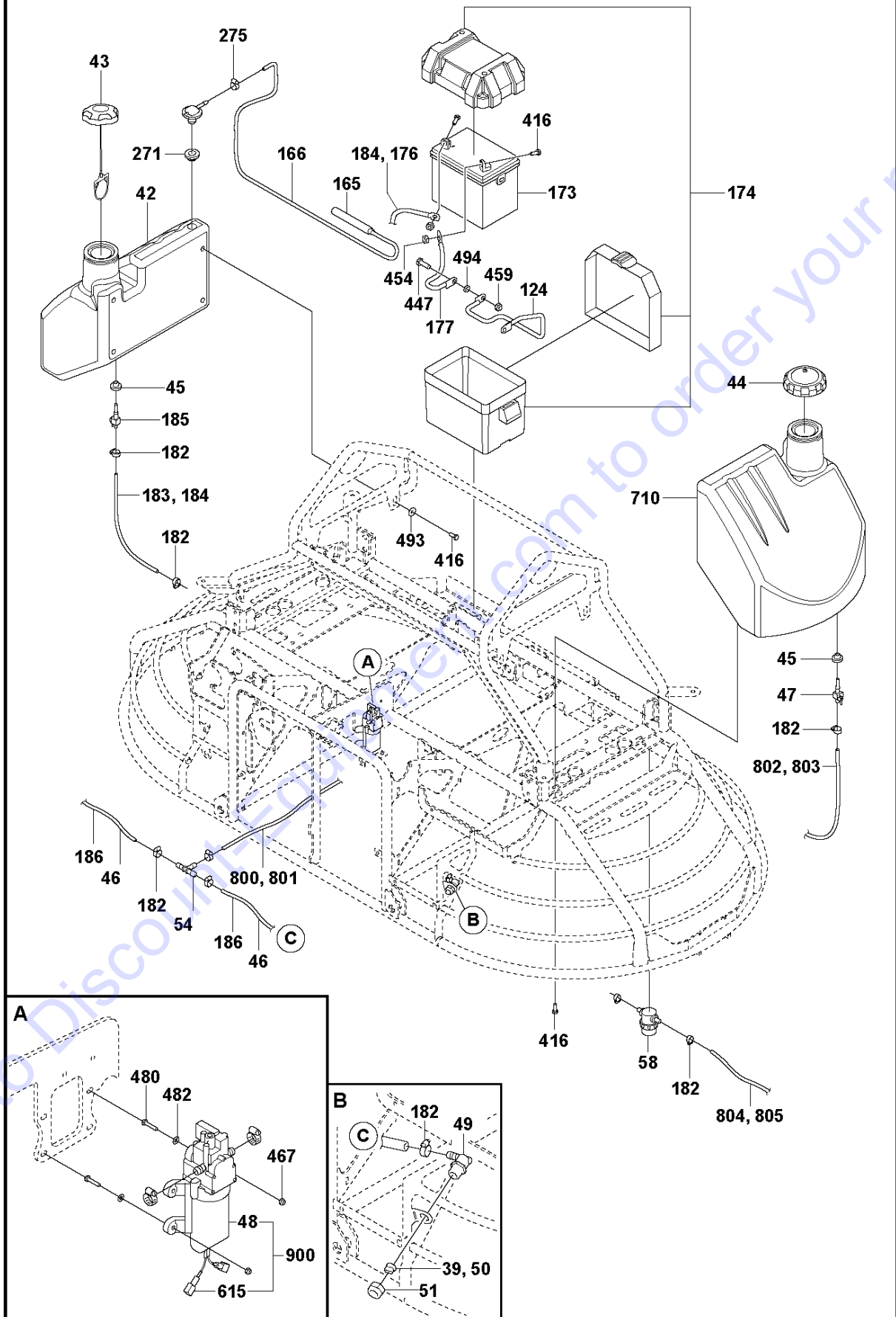
CRT36-26A, 970461401, 2020-02

Ref	Part No	Description	Remark	QTY KIT
11	599 10 41-01	SEAT		1
14	599 04 18-01	PLATE		1
15	598 99 08-01	BRACKET		2
20	599 04 09-01	BRACKET		1
21	599 02 69-01	SWITCH		1
22	599 02 64-01	BRACKET		1
30	598 98 85-01	HOLDER		1
130	599 07 08-01	SWITCH		1
133	598 99 43-01	HOUR METER		1
137	599 04 44-01	LIGHT	Indicator light (red)	1
220	598 99 73-01	SWITCH		1
242	599 04 46-01	CABLE	Choke	1
415	725 54 49-01	SCREW IHSCM	Cheese head, M8 x 1622Nm/16ft.lbs,ISO4762	4
438	725 24 59-51	SCREW EHHM	M8 x 4025Nm/18ft.lbs, DIN931	4
442	599 16 91-01	SCREW		4
454	522 91 94-01	LOCK NUT	M8, DIN985	4
460	576 64 57-04	NUT FLANGE	M822Nm/16ft.lbs	5
485	734 11 46-01	WASHER		4
491	734 11 78-01	WASHER	12, ISO7090	2
520	599 17 33-01	PIN	1/2 x 1"	2
725	599 16 01-01	PIN	3,2 x 25, ISO1234	2
997	599 16 42-01	KEY	Key ring	1

Go to Discount-Equipment.com to order your parts



**D** CRT36-26A  
TANK ASSY & BATTERY

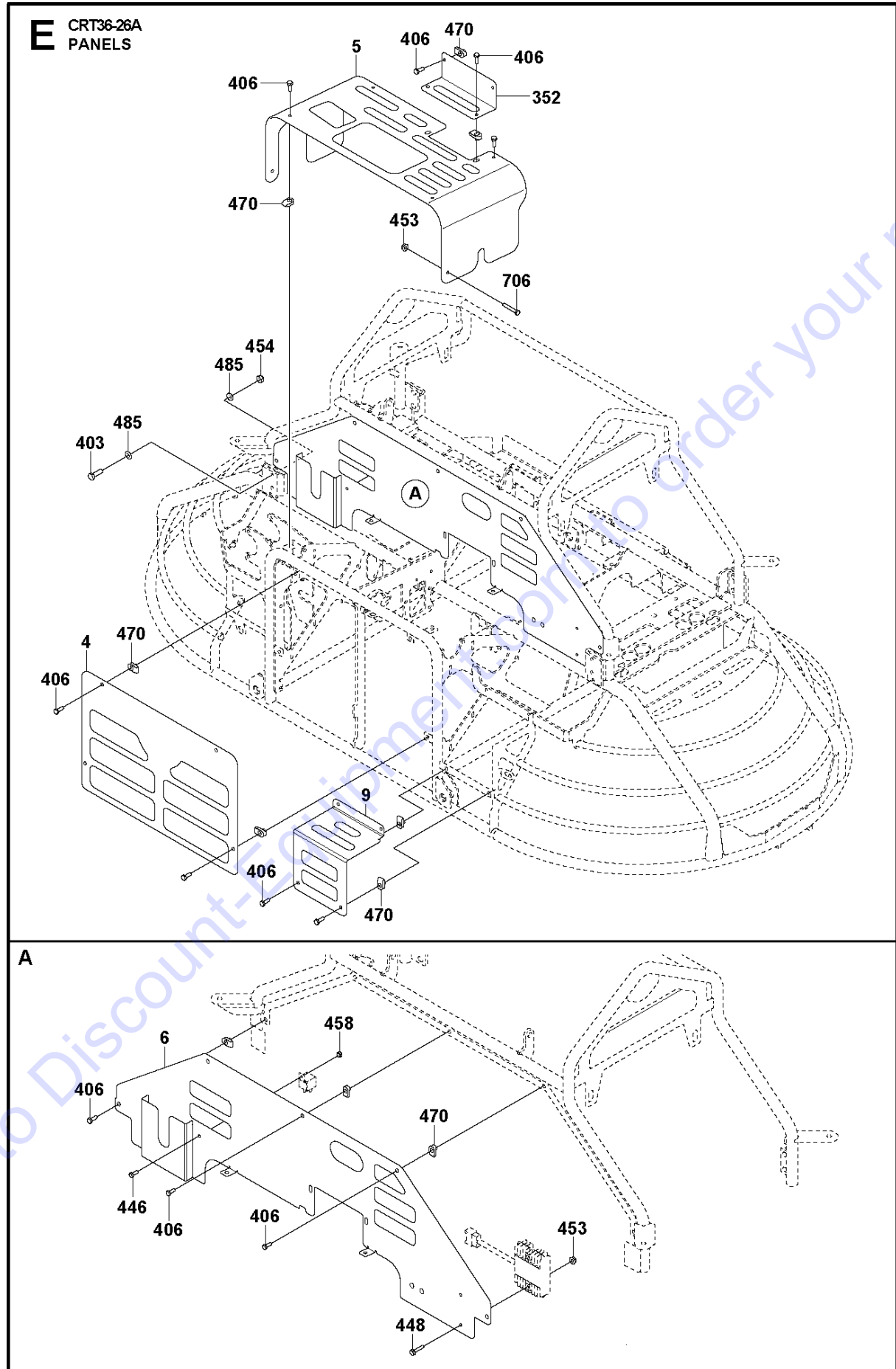


## TANK ASSY &amp; BATTERY

CRT36-26A, 970461401, 2020-02

Ref	Part No	Description	Remark	QTY	KIT
39	598 99 88-01	VALVE		2	
42	599 13 13-02	TANK		1	
43	599 07 09-01	CAP		1	
44	599 03 02-01	CAP		1	
45	598 99 04-01	BUSHING		2	
46	599 55 28-04	WIRE	17.75"	2	
47	599 06 17-01	VALVE		1	
48	599 06 16-01	PUMP		1	900
49	598 99 39-01	ELBOW		2	
50	598 99 40-01	JET		2	
51	598 99 41-01	FITTING		2	
54	599 16 90-01	FITTING	Hydraulic T-fitting	1	
58	599 06 18-01	SCREEN		1	
124	599 03 63-01	CABLE	Ground, 16"	1	
165	599 07 11-01	HOSE	3/8x1/4"	1	
166	599 55 08-01	FUEL HOSE	59"	1	
173	599 10 11-01	BATTERY		1	
174	598 99 53-01	BOX		1	
176	599 03 64-01	CABLE	36"	1	
177	598 99 54-01	CABLE	13"	1	
182	599 16 17-01	CLAMP	0,21-0,63	9	
183	599 55 28-07	WIRE	57"	1	
184	599 55 17-01	FUEL HOSE	Wire loom, 55"	1	
185	599 00 05-01	VALVE		1	
186	599 55 28-03	WIRE	Wire loom, 15.75"	2	
271	599 06 88-01	GROMMET		1	
275	599 06 87-01	VENT		1	
416	725 24 51-01	SCREW	M8x20, 25Nm/18ft.lbs	12	
447	725 24 95-71	SCREW EHHM	M10x30, 49Nm/36ft.lbs	1	
454	522 91 94-01	LOCK NUT	M8, DIN985	4	
459	732 21 20-51	NUT	M10, DIN980	1	
467	599 15 98-01	LOCK NUT		4	
480	725 22 95-71	SCREW EHHM	M4x20, 3Nm/2ft.lbs	4	
482	734 11 46-01	WASHER		4	
493	734 11 65-41	WASHER		8	
494	599 16 75-01	LOCKWASHER	M10	1	
615	599 06 16-01	PUMP		1	900
710	599 13 12-02	TANK		1	
800	599 55 23-01	HOSE	11"	1	
801	599 55 28-02	WIRE	Wire loom, 9"	1	
802	599 46 55-02	HOSE	3/8 ID x 5"	1	
803	599 55 28-01	WIRE	Wire loom, 3.50"	1	
804	599 55 28-06	WIRE	3/8 ID x 33.00"	1	
805	599 55 28-05	WIRE	Wire loom, 31"	1	
900	599 46 31-01	WATER PUMP KIT	Water pump kit	1	

Go to DiscountEquipment.com to order your parts



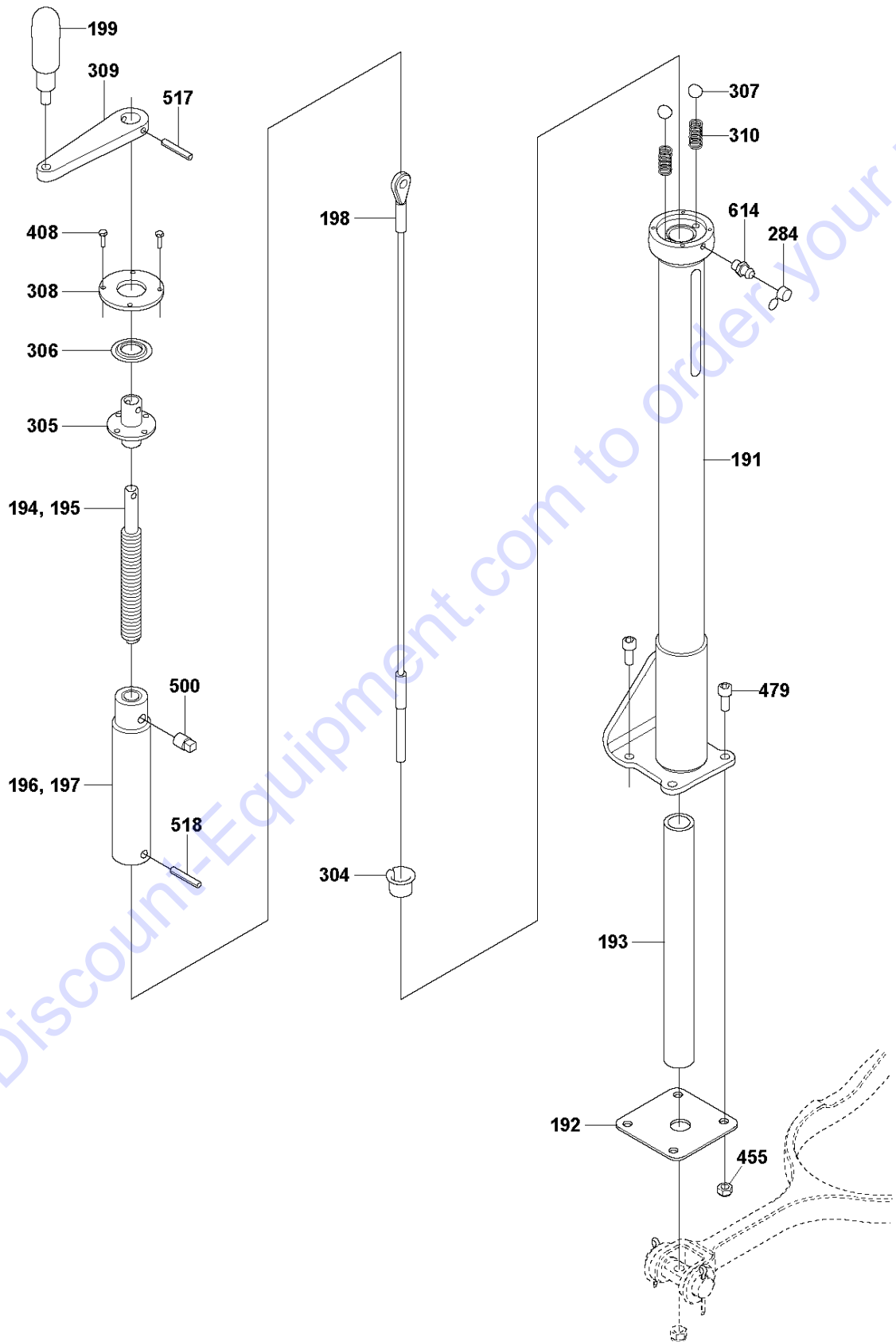
## PANELS

CRT36-26A, 970461401, 2020-02

Ref	Part No	Description	Remark	QTY KIT
4	599 13 02-02	PLATE	Front	1
5	599 03 21-01	PLATE	Foot, complete, 36"	1
6	599 13 03-02	PANEL ASSY	Complete	1
9	599 03 20-01	PANEL	Deck	1
352	599 04 60-01	PLATE		1
403	725 24 53-71	SCREW EHHM	M8 x 2522Nm/16ft.lbs	8
406	725 23 68-51	SCREW	M6 x 1610Nm/7ft.lbs	21
446	725 23 27-71	SCREW EHHM	M5 x 126Nm/4ft.lbs, DIN933	1
448	725 23 74-51	SCREW EHHM	M6 x 3010Nm/7ft.lbs	2
453	593 35 64-01	NUT	M6	4
454	522 91 94-01	LOCK NUT	M8, DIN985	8
458	732 21 14-01	LOCK NUT		1
470	599 16 68-01	LOCK NUT	M6	19
485	734 11 63-01	WASHER		16
706	725 23 80-51	SCREW EHHM	M6 x 509Nm/7ft.lbs, DIN931	2

Go to Discount-Equipment.com to order your parts

**F** CRT36-26A  
PITCH CONTROL

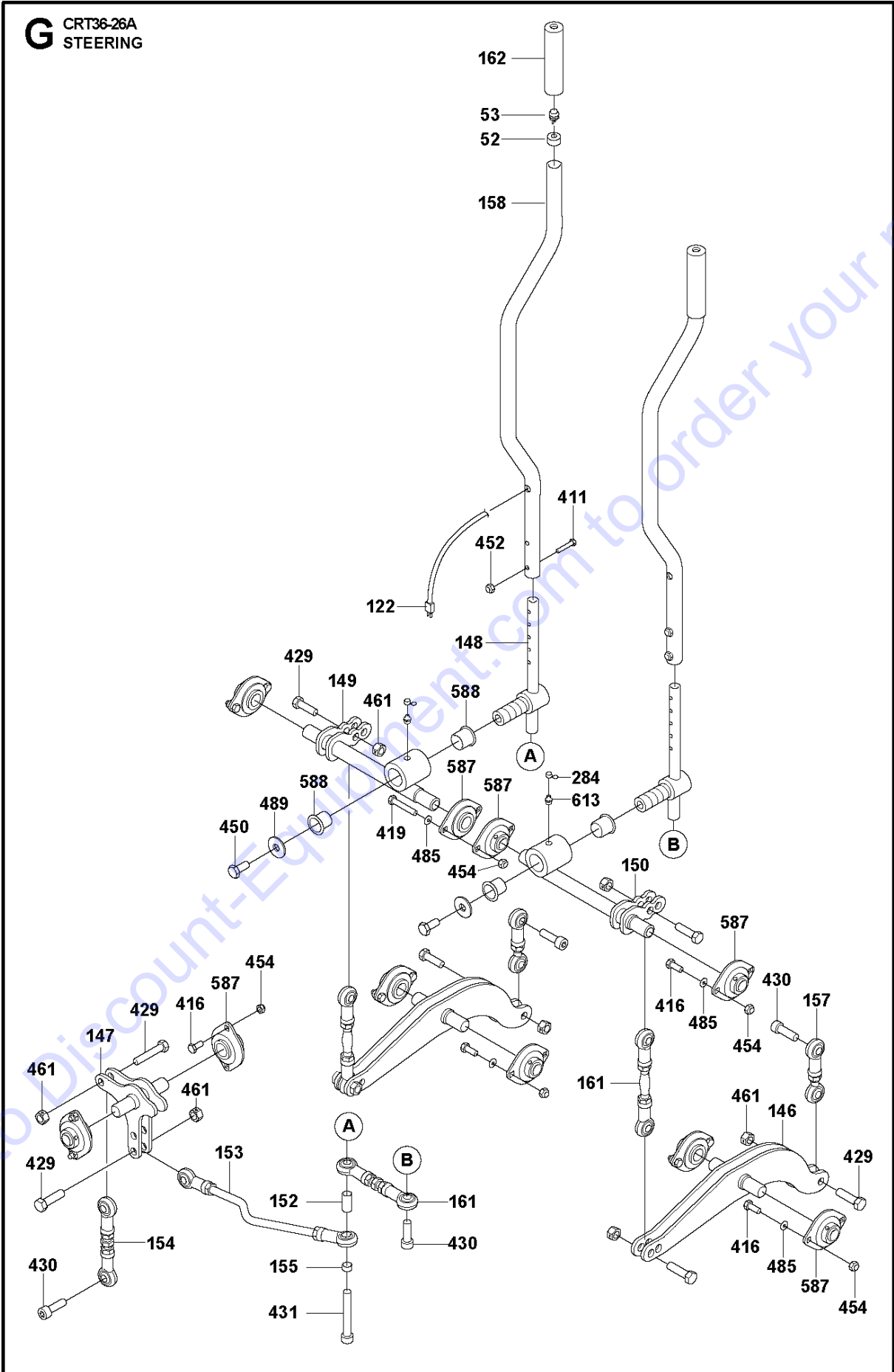


## PITCH CONTROL

CRT36-26A, 970461401, 2020-02

Ref	Part No	Description	Remark	QTY KIT
191	599 00 42-01	TUBE		1
192	599 06 24-01	PLATE		1
193	599 06 25-01	TUBE		1
194	599 16 94-01	ROD	Right-hand thread	1
195	599 16 95-01	ROD	Left-hand thread	1
196	599 00 46-01	TUBE	Right-hand thread	1
197	599 00 47-01	TUBE	Left-hand thread	1
198	599 00 48-01	CABLE	Pitch cable	1
199	599 00 51-01	HANDLE	Handle, 24Nm/18ft.lbs	1
284	599 16 92-01	CAP	Cap	1
304	599 00 43-01	BUSHING		1
305	599 00 44-01	HUB		1
306	599 16 93-01	RING	Nilos ring	1
307	599 16 96-01	BALL		2
308	599 00 49-01	PLATE		1
309	599 00 50-01	CRANK		1
310	599 00 41-01	SPRING		2
408	599 16 82-01	SCREW	M4 x 14, ISO4017 8.8 ZPB, 3Nm/2ft.lbs	4
455	596 04 03-01	LOCK NUT	5/16"-24	1
479	725 54 51-01	SCREW IHSCM	M8x20, ISO4762 8.8 ZPB, 22Nm/16ft.lbs	4
500	599 17 31-01	PIPE	Pipe plug 1/8" sq.hd. Plated	1
517	599 16 33-01	PIN	1/4" x 1-1/2"	1
518	599 16 00-01	PIN	Roll pin 8x36, ISO8752	1
614	599 17 66-01	FITTING	Grease fitting AM6, DIN71412	1

Go to Discount-Equipment.com to order your parts



## STEERING

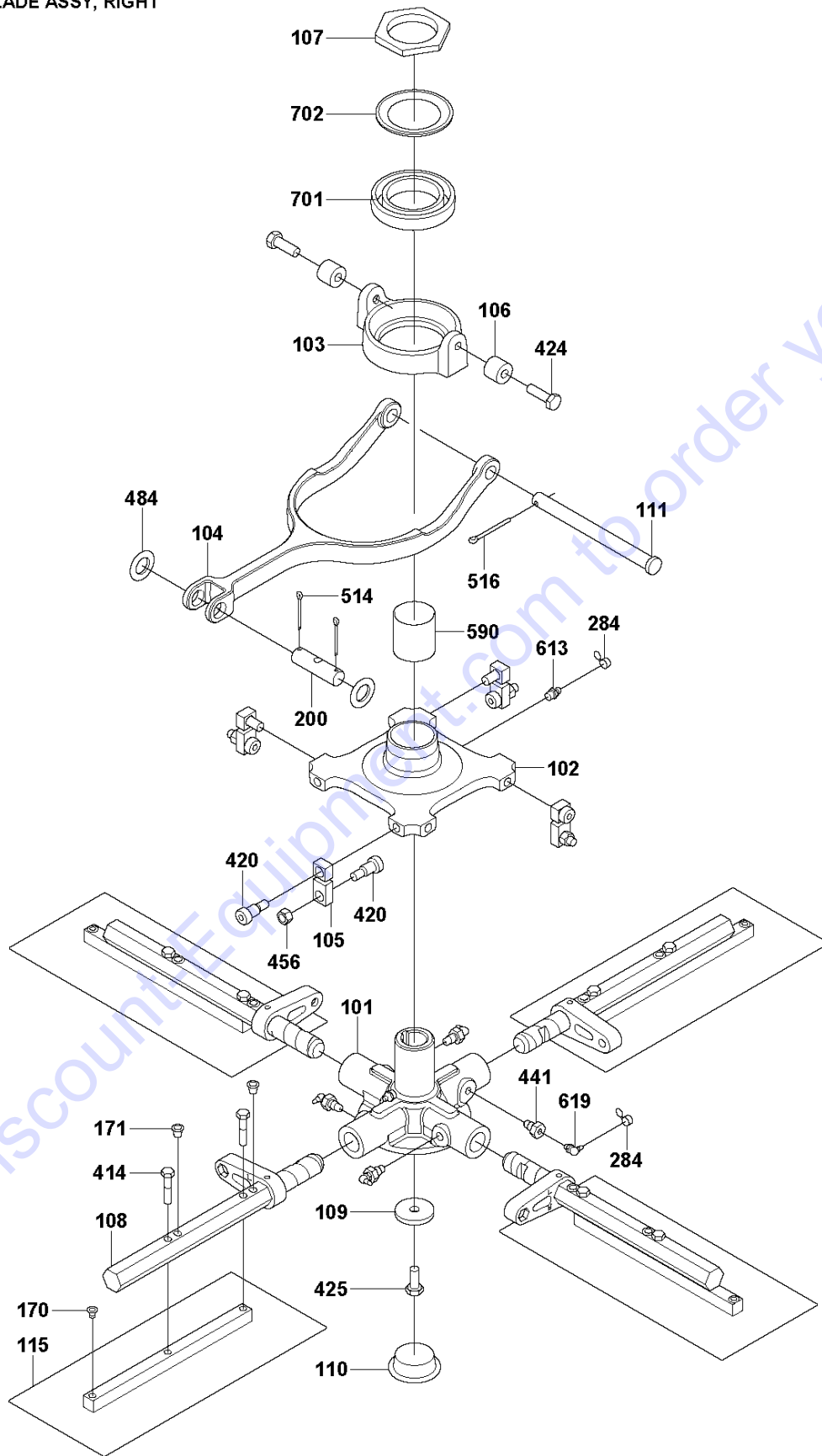
CRT36-26A, 970461401, 2020-02

Ref	Part No	Description	Remark	QTY KIT
52	599 00 13-01	CAP		1
53	599 00 12-01	SWITCH		1
122	598 99 97-01	WIRING		1
146	599 03 24-01	BRACKET		2
147	599 00 20-01	BRACKET		1
148	599 00 17-01	PIVOT		2
149	599 03 10-01	HUB		1
150	599 03 09-01	HUB		1
152	598 99 36-01	TUBE		1
153	599 01 63-01	LINK		1
154	599 01 60-01	LINK		2
155	599 04 71-01	SPACER		1
157	599 03 84-01	LINK		2
158	599 03 35-01	HANDLE		2
161	599 01 61-01	LINK		2
162	598 99 96-01	HANDLE	Handle grip	2
284	599 16 92-01	CAP	Cap	2
411	725 23 76-51	SCREW EHHM	M6x35 ISO4014 8.8 ZPB, 10Nm/7ft.lbs	4
416	725 24 51-01	SCREW	8x20 hx.hd. 24Nm/18ft.lbs	16
419	725 24 62-51	SCREW EHHM	M8x55 ISO4014 8.8 ZPB, 24Nm/18ft.lbs	2
429	599 17 25-01	SCREW	1/2-20 x 1- 3/4in85Nm/63ft.lbs	8
430	587 42 88-01	BOLT	1/2"-20x1-1/2" SOC. HD., 85Nm/63ft.lbs	4
431	599 17 04-01	SCREW	1/2"-20x2-1/2" SOC. HD., 85Nm/63ft.lbs	1
450	585 23 59-01	SCREW EHHFM	M12x25 DIN 933 S3, 86Nm/63ft.lbs	2
452	531 20 84-91	NUT	M6, ISO10511	4
454	522 91 94-01	LOCK NUT	M8, ISO10511	18
461	587 65 39-03	NUT	1/2"-20"	8
485	734 11 63-01	WASHER	M8, ISO7089, 200HV, ZPB	18
489	734 11 80-41	WASHER	M12, ISO7093, ZPB	2
587	598 99 69-01	BEARING	0,875", 10Nm/7ft.lbs	10
588	598 99 31-01	BEARING	1" ID	4
613	599 16 21-01	FITTING	Grease fitting AM10, DIN71412	2

Go to Discount-Equipment.com to get your parts



**H** CRT36-26A  
BLADE ASSY, RIGHT



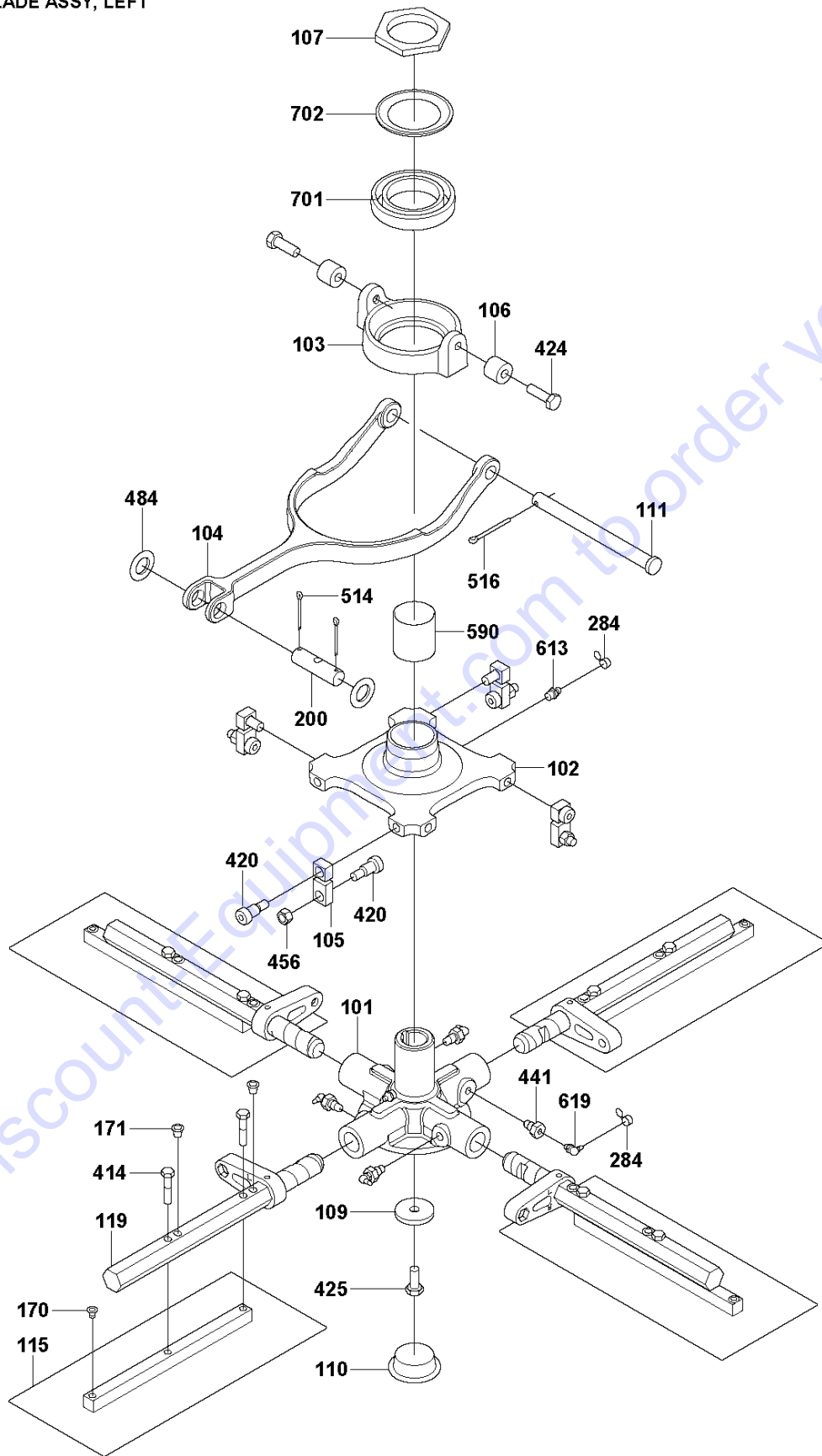
## BLADE ASSY, RIGHT

CRT36-26A, 970461401, 2020-02

Ref	Part No	Description	Remark	QTY KIT
101	598 99 12-01	HUB		1
102	598 99 61-01	RING		1
103	598 99 63-01	HOLDER		1
104	598 99 65-01	YOKE		1
105	598 99 11-01	LINK		4
106	598 99 34-01	TUBE		2
107	598 99 66-01	CAP	49Nm/36ft.lbs	1
108	599 00 39-01	SHAFT		4
109	599 16 60-01	WASHER		1
110	598 98 73-01	PLUG		1
111	599 16 66-01	SHAFT		1
115	598 92 95-01	BLADE SET	Set of 4 pcs, finish, 36"	1
170	599 16 34-01	PLUG	Threaded	4
171	599 06 36-01	PLUG		8
200	598 99 35-01	MOUNT		1
284	599 16 92-01	CAP		5
414	539 97 69-35	CAPSCREW	5/16-18 x 1-1/2" 24Nm/18ft.lbs	8
420	599 16 30-01	SCREW	3/8-16 x 1-3/8" 24Nm/18ft.lbs	8
424	725 24 97-51	SCREW	M10 x 35 49Nm/36ft.lbs, DIN933	2
425	725 24 93-71	SCREW EHHM	M10 x 25 49Nm/36ft.lbs, DIN933	1
441	598 98 69-01	SCREW	24Nm/18ft.lbs	4
456	596 04 02-01	HEXAGON NUT		4
484	542 17 30-35	WASHER		2
514	599 16 49-01	PIN	1/8 x 1-1/2"	2
516	599 16 51-01	PIN	3/16 x 2"	1
590	598 98 72-01	BEARING	46 ID	1
613	599 16 21-01	FITTING	AM10, DIN71412	1
619	599 17 03-01	GREASE	AM6	4
701	598 99 67-01	BEARING	Ball	1
702	599 16 61-01	RING	6012ZAV	1

Go to Discount-Equipment.com to order your parts

**J** CRT36-26A  
BLADE ASSY, LEFT



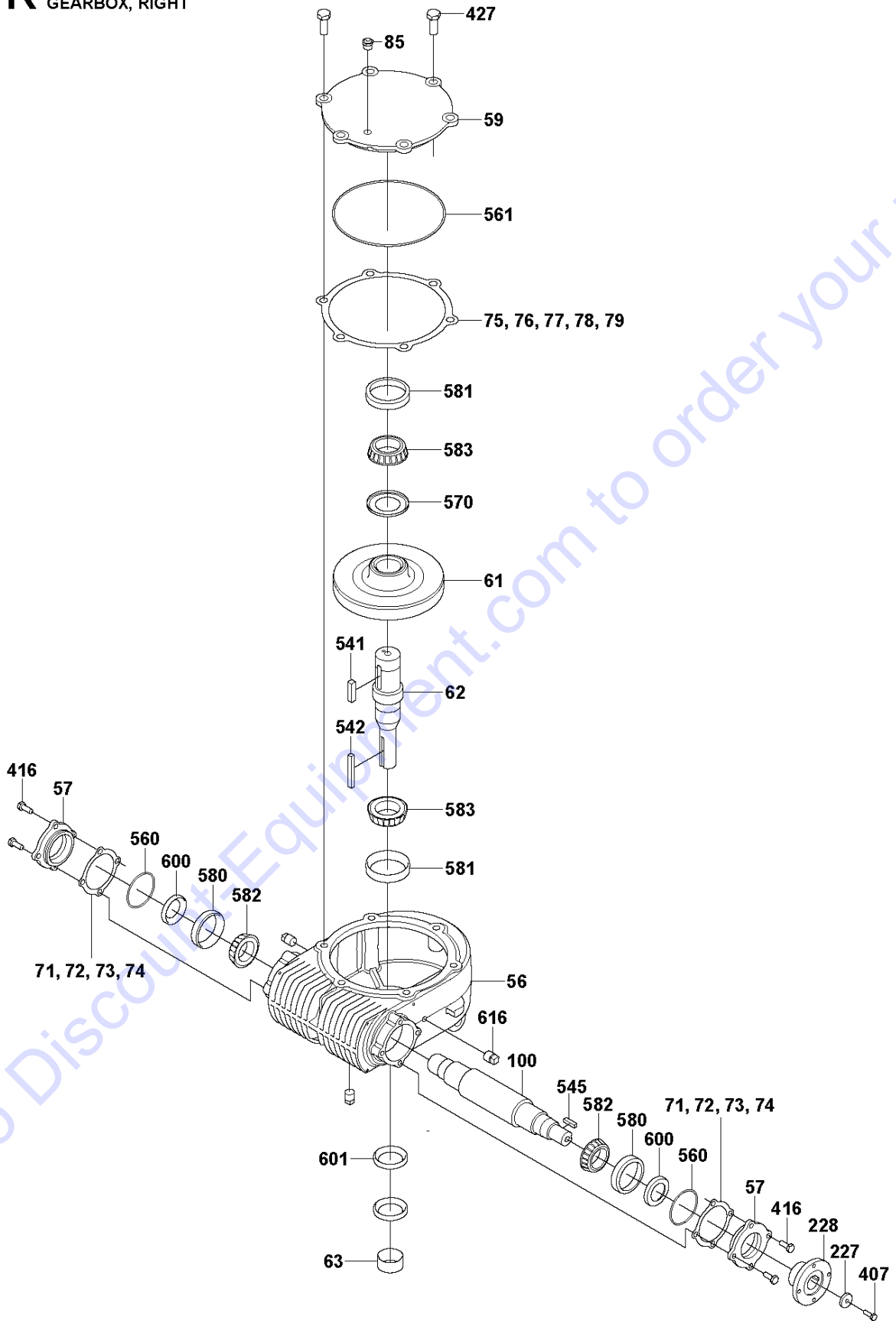
## BLADE ASSY, LEFT

CRT36-26A, 970461401, 2020-02

Ref	Part No	Description	Remark	QTY KIT
101	598 99 12-01	HUB		1
102	598 99 61-01	RING		1
103	598 99 63-01	HOLDER		1
104	598 99 65-01	YOKE		1
105	598 99 11-01	LINK		4
106	598 99 34-01	TUBE		2
107	598 99 66-01	CAP	49Nm/36ft.lbs	1
109	599 16 60-01	WASHER		4
110	598 98 73-01	PLUG		1
111	599 16 66-01	SHAFT		1
115	598 92 95-01	BLADE SET	Set of 4 pcs, finish, 36"	1
119	599 00 40-01	SHAFT	Complete	4
170	599 16 34-01	PLUG	Threaded	4
171	599 06 36-01	PLUG		8
200	598 99 35-01	MOUNT		1
284	599 16 92-01	CAP		5
414	539 97 69-35	CAPSCREW	5/16-18 x 1-1/2" 24Nm/18ft.lbs	8
420	599 16 30-01	SCREW	3/8-16 x 1-3/8" 24Nm/18ft.lbs	8
424	725 24 97-51	SCREW	M10 x 35 49Nm/36ft.lbs, DIN933	2
425	725 24 93-71	SCREW EHHM	M10 x 25 49Nm/36ft.lbs, DIN933	1
441	598 98 69-01	SCREW	24Nm/18ft.lbs	4
456	596 04 02-01	HEXAGON NUT		4
484	542 17 30-35	WASHER		2
514	599 16 49-01	PIN	Cotter, 1/8 x 1-1/2"	2
516	599 16 51-01	PIN	Cotter, 3/16 x 2"	1
590	598 98 72-01	BEARING	46 ID	1
613	599 16 21-01	FITTING	AM10, DIN71412	1
619	599 17 03-01	GREASE	AM6	4
701	598 99 67-01	BEARING		1
702	599 16 61-01	RING	6012ZAV	1

Go to Discount-Equipment.com to order your parts

**K** CRT36-26A  
GEARBOX, RIGHT



## GEARBOX, RIGHT

CRT36-26A, 970461401, 2020-02

Ref	Part No	Description	Remark	QTY KIT
56	598 99 21-01	GEARBOX		1
57	598 99 22-01	COVER		2
59	598 99 15-01	COVER		1
61	598 99 16-01	GEAR		1
62	598 99 82-01	SHAFT		1
63	598 99 77-01	WASHER		1
71	599 01 71-01	SHIM	0,007"	1
72	599 01 72-01	SHIM	0,009"	1
73	599 01 73-01	SHIM	0,012"	2
74	599 01 74-01	SHIM	0,022"	1
75	599 01 65-01	SHIM	0,007"	1
76	599 01 66-01	SHIM	0,009"	1
77	599 01 67-01	SHIM	0,012"	1
78	599 01 68-01	SHIM	0,022"	2
79	599 01 69-01	SHIM	0,032"	2
85	599 17 05-01	VALVE		1
100	598 99 51-01	WORM GEAR	4,25"	1
227	599 16 58-01	WASHER	1-1/8 x 0,28 x 0,187	1
228	599 12 54-01	FITTING		1
407	725 23 70-71	SCREW EHHM	M6x20, 10Nm/7ft.lbs, DIN933	1
416	725 24 51-01	SCREW	24Nm/18ft.lbs	8
427	598 74 98-01	SCREW	M12x35, 85Nm/63ft.lbs, DIN933	2
541	599 16 48-01	KEY	3/8 x 1-1/2"	1
542	599 16 70-01	KEY	A8 x 7 x 65	1
545	599 16 15-01	KEY	1/4 x 1.0"	1
560	598 99 23-01	O-RING	2-3/8 x 3/32"	2
561	598 99 24-01	O-RING	7-1/4 x 1/8"	1
570	599 16 45-01	SEAL	2,78 x 1,625	1
580	599 16 47-01	BEARING		2
581	599 16 47-01	BEARING		2
582	598 99 47-01	BEARING		2
583	599 16 56-01	BEARING		2
600	599 04 75-01	SEAL	1,313 x 2,066 x 0,31	2
601	599 04 76-01	SEAL	1,625 x 2,252 x 0,31	2
616	599 17 10-01	PLUG	3/8in NPTF	3

Go to Discount-Equipment.com to order your parts



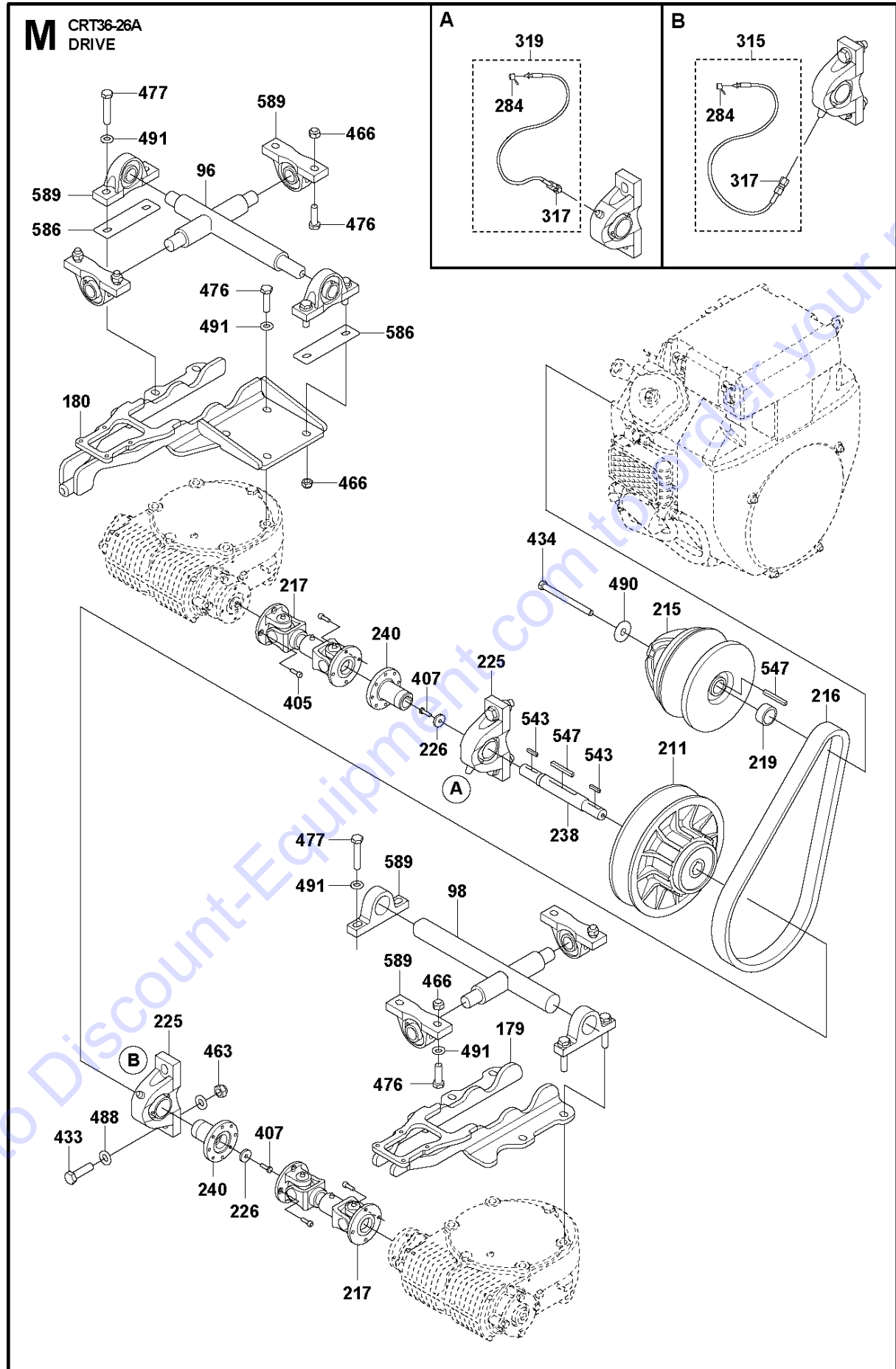
## GEARBOX, LEFT

CRT36-26A, 970461401, 2020-02

Ref	Part No	Description	Remark	QTY KIT
56	598 99 21-01	GEARBOX		1
57	598 99 22-01	COVER		2
59	598 99 15-01	COVER		1
60	598 99 16-01	GEAR		1
62	598 99 82-01	SHAFT		1
63	598 99 77-01	WASHER		1
71	599 01 71-01	SHIM	0,007"	1
72	599 01 72-01	SHIM	0,009"	1
73	599 01 73-01	SHIM	0,012"	2
74	599 01 74-01	SHIM	0,022"	1
75	599 01 65-01	SHIM	0,007"	1
76	599 01 66-01	SHIM	0,009"	1
77	599 01 67-01	SHIM	0,012"	1
78	599 01 68-01	SHIM	0,022"	2
79	599 01 69-01	SHIM	0,032"	2
85	599 17 05-01	VALVE		1
99	598 99 51-01	WORM GEAR	4,25"	1
227	599 16 58-01	WASHER	1-1/8 x 0,28 x 0,187	1
228	599 12 54-01	FITTING		1
407	725 23 70-71	SCREW EHHM	M6x20, 10Nm/7ft.lbs, DIN933	1
416	725 24 51-01	SCREW	24Nm/18ft.lbs	8
427	598 74 98-01	SCREW	M12x35, 85Nm/63ft.lbs, DIN933	2
541	599 16 48-01	KEY	3/8 x 1-1/2"	1
542	599 16 70-01	KEY	A8 x 7 x 65	1
545	599 16 15-01	KEY	1/4 x 1.0"	1
560	598 99 23-01	O-RING	2-3/8 x 3/32"	2
561	598 99 24-01	O-RING	7-1/4 x 1/8"	1
570	599 16 45-01	SEAL	2,78 x 1,625	1
580	599 16 47-01	BEARING		2
581	599 16 47-01	BEARING		2
582	598 99 47-01	BEARING		2
583	599 16 56-01	BEARING		2
600	599 04 75-01	SEAL	1,313 x 2,066 x 0,31	2
601	599 04 76-01	SEAL	1,625 x 2,252 x 0,31	2
616	599 17 10-01	PLUG	3/8in NPTF	3

Go to Discount-Equipment.com to order your parts





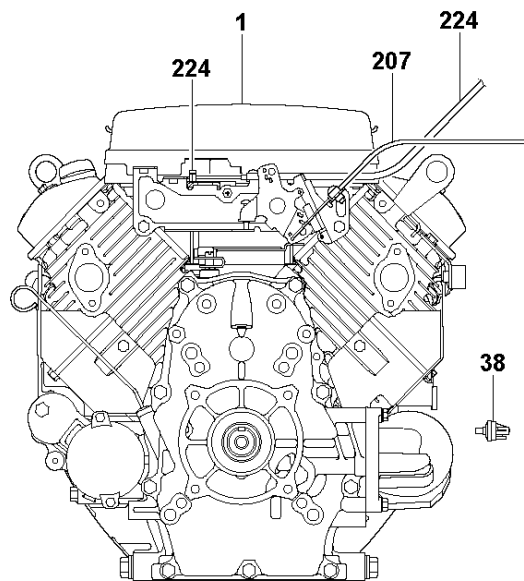
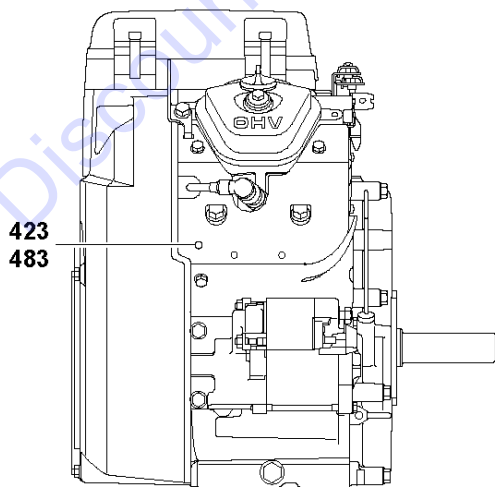
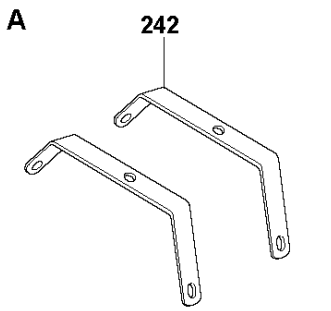
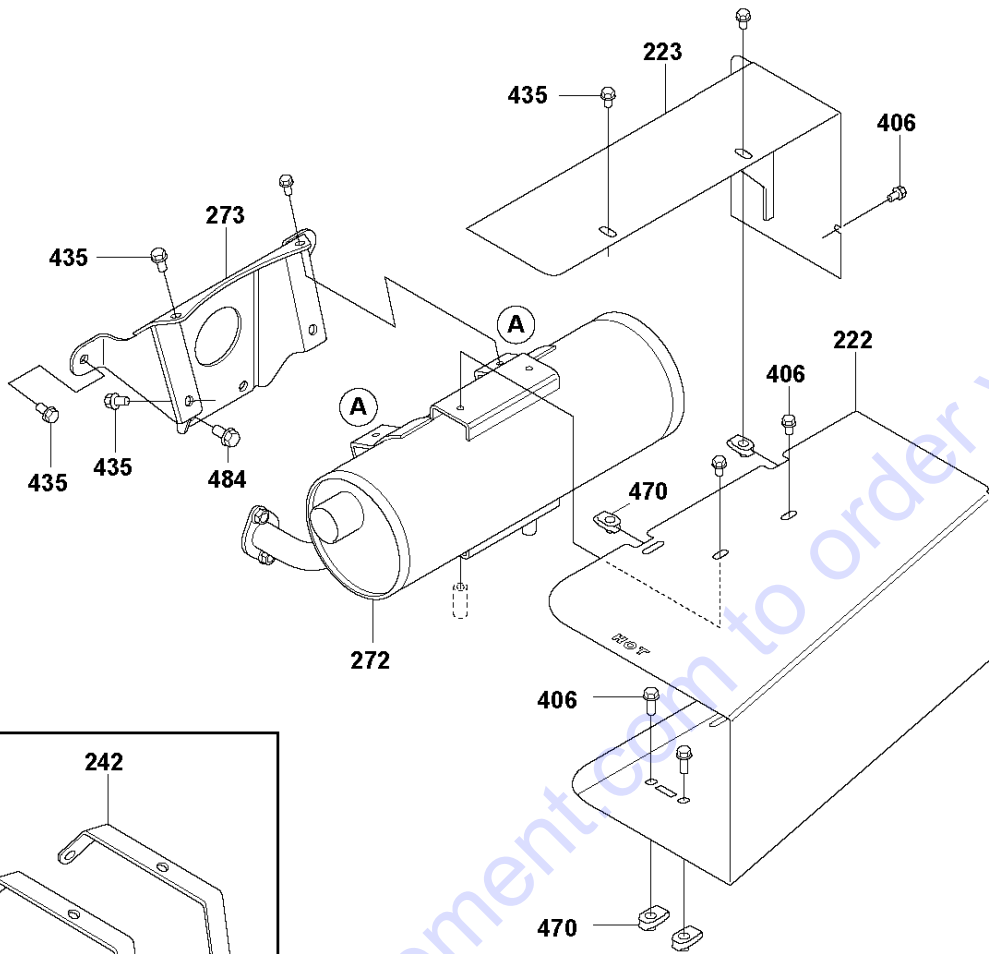
## DRIVE

CRT36-26A, 970461401, 2020-02

Ref	Part No	Description	Remark	QTY	KIT
96	599 03 53-01	LEVER	Right cross	1	
98	599 03 83-01	LEVER	Left cross	1	
179	599 03 52-01	BRACKET	Gearbox bracket, left	1	
180	599 03 47-01	BRACKET	Gearbox bracket, right	1	
211	599 03 27-01	CLUTCH		1	
215	599 03 28-01	CLUTCH		1	
216	599 03 26-01	BELT	13-1/4"	1	
217	598 99 52-01	JOINT		2	
219	599 02 21-01	SPACER		1	
225	598 99 45-01	BEARING		2	
226	599 16 54-01	WASHER	1" x 0,265" x 0,1795"	2	
238	599 03 98-01	SHAFT		1	
240	598 99 48-01	FITTING		2	
284	599 16 92-01	CAP		6	315, 319
315	599 08 33-01	HOSE	Complete, 24"	1	
317	599 17 29-01	FITTING		2	315, 319
319	599 08 34-01	HOSE	Complete, 41"	1	
405	725 53 70-01	SCREW IHSCM	M6x20, ISO4762, 8.8 ZPB, 9Nm/7ft.lbs	16	
407	725 23 70-71	SCREW EHHM	M6x20, ISO4017, 8.8 ZPB, 10Nm/7ft.lbs	2	
433	597 97 91-01	SCREW	M14x50, ISO4017, 8.8, ZPB, 135Nm/100ft.lbs	4	
434	599 16 77-01	SCREW	7/16"-20 x 5,5" SAE GR5	1	
463	598 55 65-01	NUT	M14, ISO10511	4	
466	502 04 55-01	NUT	M12, ISO10511	10	
476	725 25 41-71	SCREW EHHM	M12x45, ISO4017, 8.8, ZPB, 10Nm/7ft.lbs	10	
477	725 25 44-51	SCREW EHHM	M12x60, ISO4014, 8.8 ,ZPB, 10Nm/7ft.lbs	6	
488	599 16 57-01	WASHER	M14, ISO7089, 200HV, ZPB	8	
490	599 16 44-01	WASHER	0,531 x 1,625 x 0,12	1	
491	734 11 78-01	WASHER	M12, ISO7089 200HV ZPB	18	
543	599 16 32-01	KEY	Square key 3/16" x 1"	2	
547	599 17 24-01	KEY	Square key 1/4" x 2-1/2"	2	
586	599 03 99-01	SHIM		2	
589	598 99 32-01	BEARING		6	

Go to Discount-Equipment.com to find your parts

**N** CRT36-26A  
ENGINE, MUFFLER & HEATSHIELD



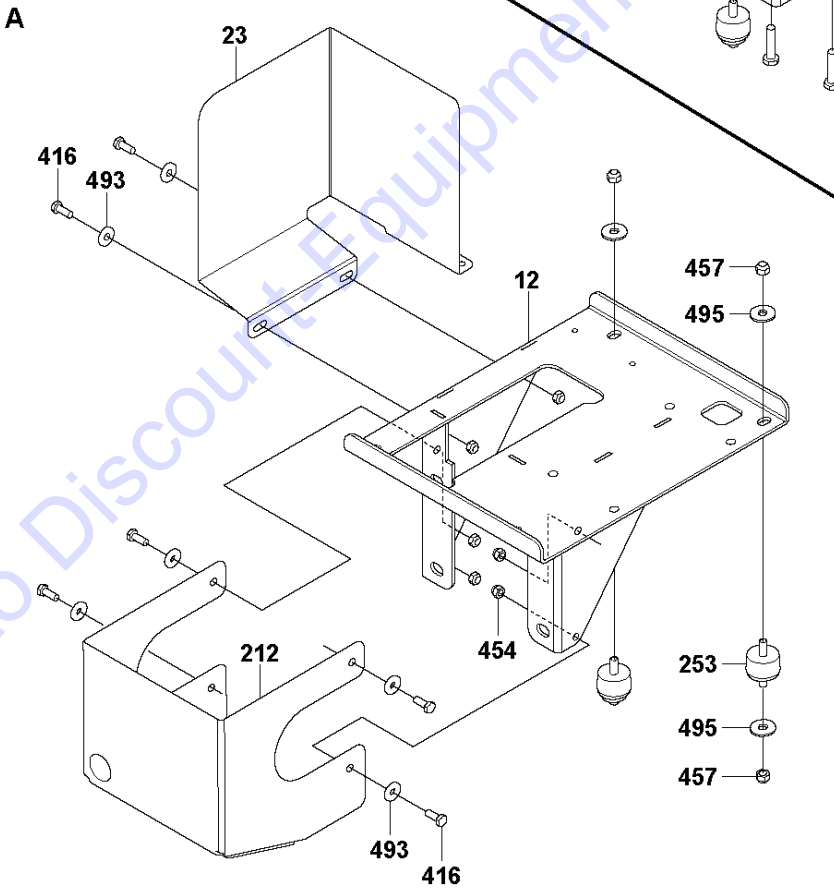
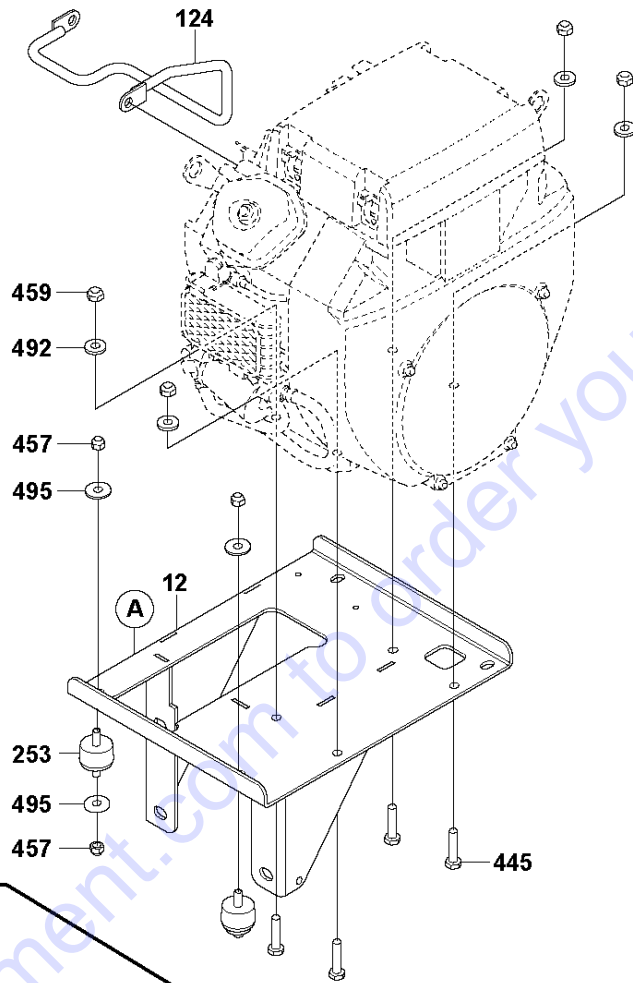
## ENGINE, MUFFLER &amp; HEATSHIELD

CRT36-26A, 970461401, 2020-02

Ref	Part No	Description	Remark	QTY KIT
1	599 06 96-01	ENGINE	Complete, Honda	1
38	599 04 37-01	SWITCH		1
207	599 04 06-01	CABLE		1
222	599 04 42-01	HEAT SHIELD		1
223	599 05 53-01	HEAT SHIELD		1
224	599 05 52-01	BRACKET		2
242	599 05 52-01	BRACKET		2
272	599 06 97-01	MUFFLER		1
273	599 55 07-01	BRACKET		1
406	585 98 06-01	SCREW EHHFM	M6x16, 9Nm/7ft.lbs	7
423	596 32 01-01	BOLT	M6x12, 5Nm/4ft.lbs, DIN933	3
435	506 57 01-03	SCREW EHHFM	M8x16, 22Nm/16ft.lbs	6
470	599 16 68-01	LOCK NUT	M6	3
483	599 16 02-01	WASHER		1
484	542 17 30-35	WASHER	B21, Washer	4

Go to Discount-Equipment.com to order your parts

**P** CRT36-26A  
ENGINE PLATE



## ENGINE PLATE

CRT36-26A, 970461401, 2020-02

Ref	Part No	Description	Remark	QTY KIT
12	599 03 15-01	PLATE		1
23	599 03 82-01	BELT GUARD		1
124	599 03 63-01	CABLE	16"	1
212	599 04 00-01	GUARD		1
253	598 99 98-01	BUMPER	22Nm/16ft.lbs	4
416	725 24 51-01	SCREW	22Nm/16ft.lbs	8
445	725 25 00-51	SCREW EHHM	M10 x 4549Nm/36ft.lbs, DIN931	4
454	522 91 94-01	LOCK NUT	M8, DIN985	4
457	539 20 02-82	NUT	3/8-16"	8
459	732 21 20-51	NUT	M10, DIN980	4
492	599 16 10-01	WASHER	10,5, DIN7349	4
493	734 11 65-41	WASHER		8
495	599 15 99-01	WASHER	B10,5, DIN9021	8

Go to [Discount-Equipment.com](http://Discount-Equipment.com) to order your parts



## DECALS

CRT36-26A, 970461401, 2020-02

Ref	Part No	Description	Remark	QTY KIT
230	599 04 73-01	LABEL		1
235	599 04 31-01	LABEL		1
252	599 10 15-01	LABEL		1
800	599 23 47-01	DECAL		1
801	599 23 46-01	DECAL		1
810	599 23 48-01	DECAL		2

Go to [Discount-Equipment.com](https://Discount-Equipment.com) to order your parts



# PARTS FINDER

**Search Website  
by Part Number**



**Search Manual  
Library For Parts  
Manual & Lookup Part  
Numbers – Purchase  
or Request Quote**

**Search Manuals**

Enter your information to help us find the right parts manual for your machine.

\* Brand:

\* Model:

\* Serial:

\* Part Number:

SEARCH

**Can't Find Part or  
Manual? Request Help  
by Manufacturer,  
Model & Description**

**Parts Order Form**

Please fill in the following information to help us find the right part for your machine.

Manufacturer:	<input type="text"/>
Model:	<input type="text"/>
Description:	<input type="text"/>
Part Number:	<input type="text"/>
Quantity:	<input type="text"/>
Notes:	<input type="text"/>

Submit

Discount-Equipment.com is your online resource for quality parts & equipment.

Florida: **561-964-4949** Outside Florida TOLL FREE: **877-690-3101**

**Need parts?**

Click on this link: <http://www.discount-equipment.com/category/5443-parts/> and choose one of the options to help get the right parts and equipment you are looking for. Please have the machine model and serial number available in order to help us get you the correct parts. If you don't find the part on the website or on one of the online manuals, please fill out the request form and one of our experienced staff members will get back to you with a quote for the right part that your machine needs.

We sell worldwide for the brands: Genie, Terex, JLG, MultiQuip, Mikasa, Essick, Whiteman, Mayco, Toro Stone, Diamond Products, Generac Magnum, Airman, Haulotte, Barreto, Power Blanket, Nifty Lift, Atlas Copco, Chicago Pneumatic, Allmand, Miller Curber, Skyjack, Lull, Skytrak, Tsurumi, Husquvarna Target, Stow, Wacker, Sakai, Mi-T-M, Sullair, Basic, Dynapac, MBW, Weber, Bartell, Bennar Newman, Haulotte, Ditch Runner, Menegotti, Morrison, Contec, Buddy, Crown, Edco, Wyco, Bomag, Laymor, EZ Trench, Bil-Jax, F.S. Curtis, Gehl Pavers, Heli, Honda, ICS/PowerGrit, IHI, Partner, Imer, Clipper, MMD, Koshin, Rice, CH&E, General Equipment, Amida, Coleman, NAC, Gradall, Square Shooter, Kent, Stanley, Tamco, Toku, Hatz, Kohler, Robin, Wisconsin, Northrock, Oztec, Toker TK, Rol-Air, APT, Wylie, Ingersoll Rand / Doosan, Innovatech, Con X, Ammann, Mecalac, Makinex, Smith Surface Prep, Small Line, Wanco, Yanmar