



SPARE PARTS LIST

TROWELS

CRT 36

Go to Discount-Equipment.com to order your parts



PARTS FINDER

**Search Website
by Part Number**



**Search Manual
Library For Parts
Manual & Lookup Part
Numbers – Purchase
or Request Quote**

Search Manuals

Enter your information to help us find the right parts manual for your machine.

* Brand:

* Model:

* Serial:

* Part Number:

SEARCH

**Can't Find Part or
Manual? Request Help
by Manufacturer,
Model & Description**

Parts Order Form

Please fill in the following information to help us find the right part for your machine.

Manufacturer:	<input type="text"/>
Model:	<input type="text"/>
Description:	<input type="text"/>
Part Number:	<input type="text"/>
Quantity:	<input type="text"/>
Notes:	<input type="text"/>

Discount-Equipment.com is your online resource for quality parts & equipment.

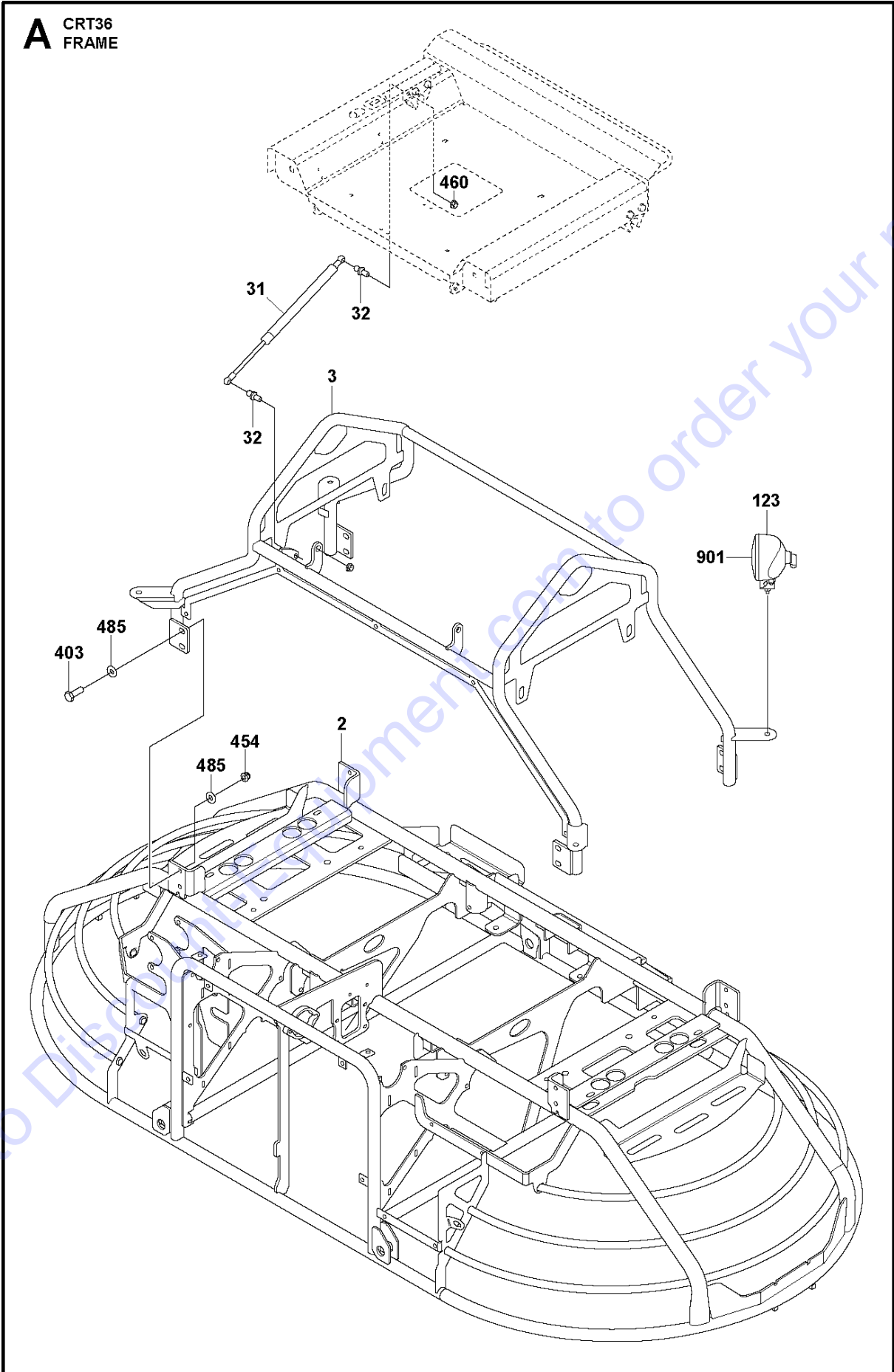
Florida: **561-964-4949** Outside Florida TOLL FREE: **877-690-3101**

Need parts?

Click on this link: <http://www.discount-equipment.com/category/5443-parts/> and choose one of the options to help get the right parts and equipment you are looking for. Please have the machine model and serial number available in order to help us get you the correct parts. If you don't find the part on the website or on one of the online manuals, please fill out the request form and one of our experienced staff members will get back to you with a quote for the right part that your machine needs.

We sell worldwide for the brands: Genie, Terex, JLG, MultiQuip, Mikasa, Essick, Whiteman, Mayco, Toro Stone, Diamond Products, Generac Magnum, Airman, Haulotte, Barreto, Power Blanket, Nifty Lift, Atlas Copco, Chicago Pneumatic, Allmand, Miller Curber, Skyjack, Lull, Skytrak, Tsurumi, Husquvarna Target, Stow, Wacker, Sakai, Mi-T-M, Sullair, Basic, Dynapac, MBW, Weber, Bartell, Bennar Newman, Haulotte, Ditch Runner, Menegotti, Morrison, Contec, Buddy, Crown, Edco, Wyco, Bomag, Laymor, EZ Trench, Bil-Jax, F.S. Curtis, Gehl Pavers, Heli, Honda, ICS/PowerGrit, IHI, Partner, Imer, Clipper, MMD, Koshin, Rice, CH&E, General Equipment, Amida, Coleman, NAC, Gradall, Square Shooter, Kent, Stanley, Tamco, Toku, Hatz, Kohler, Robin, Wisconsin, Northrock, Oztec, Toker TK, Rol-Air, APT, Wylie, Ingersoll Rand / Doosan, Innovatech, Con X, Ammann, Mecalac, Makinex, Smith Surface Prep, Small Line, Wanco, Yanmar

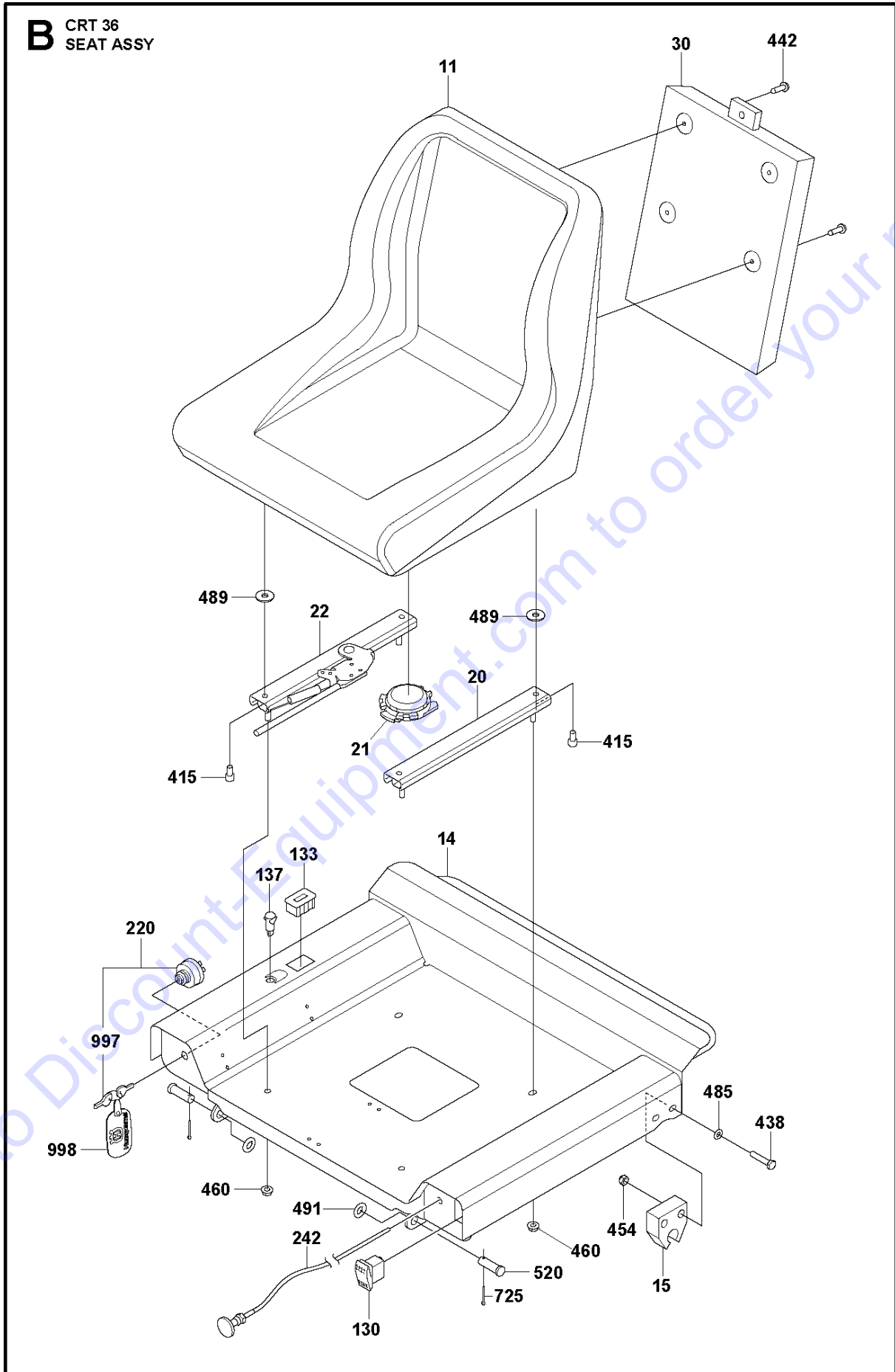
A CRT36
FRAME



Ref	Part No	Description	Remark	QTY KIT
2	599 03 11-01	FRAME		1
3	599 03 12-01	FRAME		1
31	599 03 31-01	CYLINDER		1
32	599 16 87-01	STUD		2
123	599 07 69-01	LIGHT	Light, LED	4
403	506 57 01-05	SCREW EHHFM	M8x25 ISO 4162 8.8 ZPB	8
454	732 25 18-01	HEXAGON LOCKING NUT	M8 ISO 7040 8 ZPB	8
485	734 11 63-01	WASHER	M8 ISO 7089 200HV ZPB	16
460	576 64 57-04	NUT FLANGE	M8 ISO 7043 8 FZB	2
901	529 92 71-01	CABLE	Adapter cable	4

Go to Discount-Equipment.com to order your parts

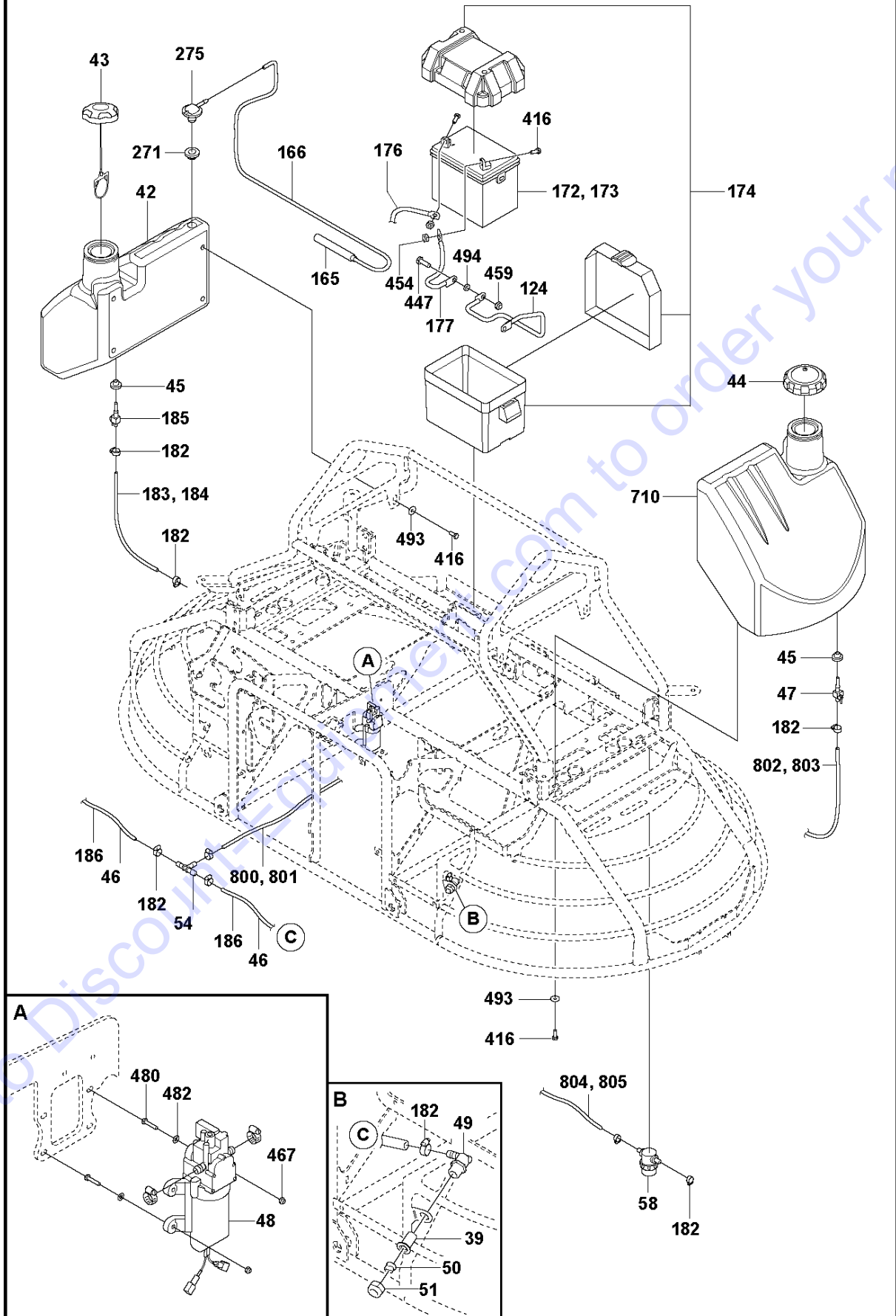
B CRT 36
SEAT ASSY



Ref	Part No	Description	Remark	QTY KIT
11	599 10 41-01	SEAT		1
14	599 04 18-01	PLATE		1
15	598 99 08-01	BRACKET		2
20	599 04 09-01	BRACKET		1
21	599 02 69-01	SWITCH		1
22	599 02 64-01	BRACKET		1
30	598 98 85-01	HOLDER		1
130	599 07 08-01	SWITCH	Switch, lights	1
133	598 99 43-01	HOUR METER	Hour meter	1
137	599 04 44-01	LIGHT	Indicator light (red)	1
220	598 99 73-01	SWITCH		1
242	599 10 81-01	CABLE	Choke	1
415	725 54 51-01	SCREW IHSCM	M8x20 ISO 4762 8.8 ZPB	4
438	725 24 59-51	SCREW EHHM	M8x40 ISO 4014 8.8 ZPB	4
442	599 16 91-01	SCREW	#10x3/4"	4
454	732 25 18-01	HEXAGON LOCKING NUT	M8 ISO 7040 8 ZPB	1
460	576 64 57-04	NUT FLANGE	M8 ISO 7043 8 FZB	4
485	734 11 63-01	WASHER	M8 ISO 7089 200HV ZPB	4
489	599 16 07-01	WASHER		2
491	734 11 78-01	WASHER	M12 ISO 7089 200HV ZPB	2
520	599 17 33-01	PIN	Clevis pin 1/2"x1"	2
725	599 16 01-01	PIN	Cotter pin 3.2x25	2
997	536 58 47-01	KEY	Key	1
998	599 47 90-01	KEY	Key fob, Husqvarna	1

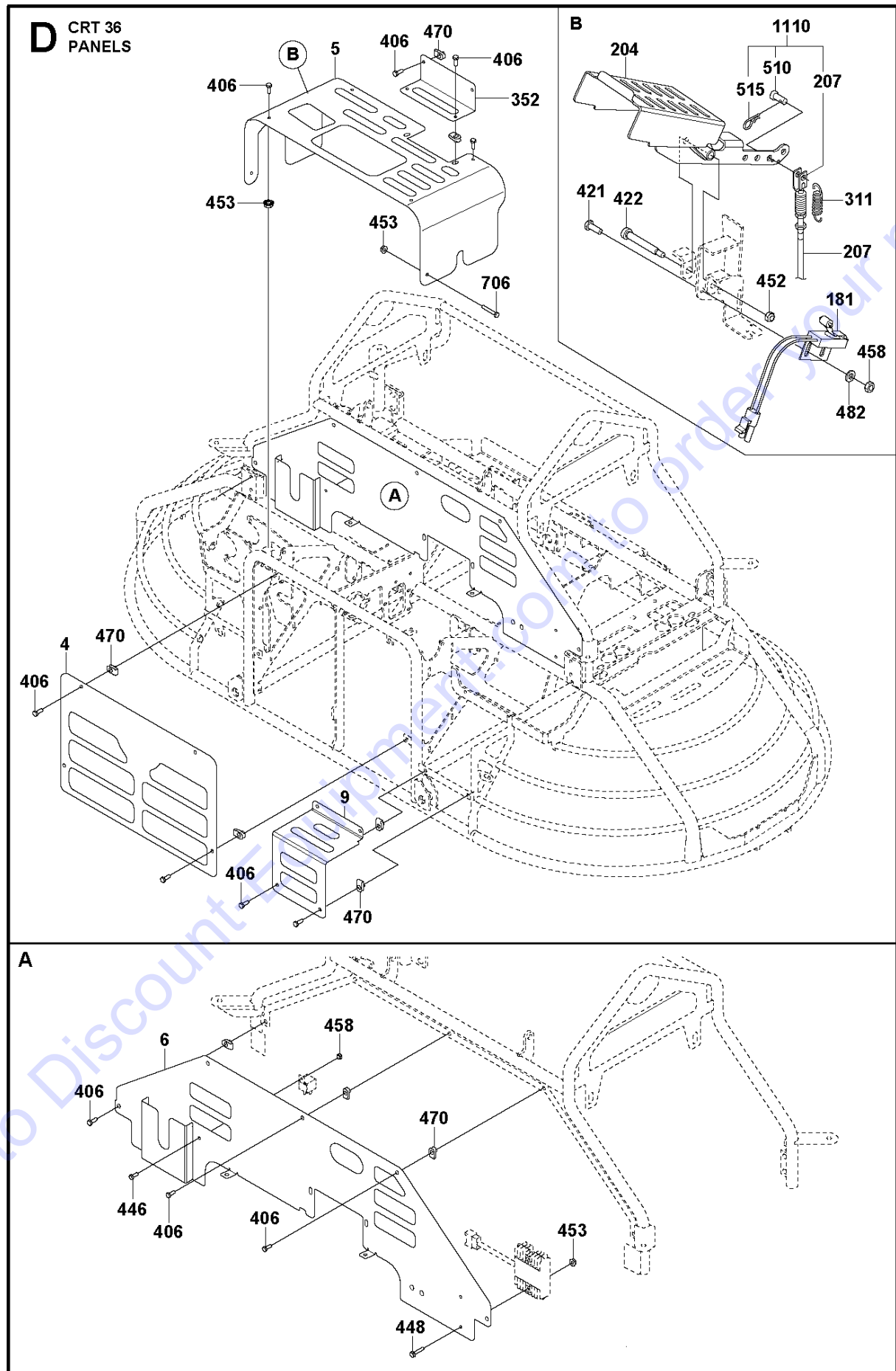
Go to Discount-Equipment.com to get your parts

C CRT 36
TANK ASSY & BATTERY



Ref	Part No	Description	Remark	QTY KIT
39	598 99 88-01	VALVE		2
42	599 13 13-02	TANK	Fuel tank	1
43	599 07 09-01	CAP		1
44	599 03 02-01	CAP		1
45	598 99 04-01	BUSHING		2
46	599 55 28-04	WIRE	17.75in	2
47	599 06 17-01	VALVE		1
48	599 46 31-01	WATER PUMP KIT		1
49	598 99 39-01	ELBOW		2
50	598 99 40-01	JET		2
51	598 99 41-01	FITTING		2
54	599 16 90-01	FITTING	Hydraulic t-fitting	1
58	599 06 18-01	SCREEN		1
124	541 20 10-14	CABLE	Ground, 16in	1
165	599 07 11-01	HOSE	3/8x1/4in	1
166	599 55 08-01	FUEL HOSE	Hose 59in	1
172	505 78 62-01	BATTERY	EU	1
173	522 95 02-01	BATTERY	US	1
174	505 83 60-01	COVER		1
176	599 03 64-01	CABLE	36in	1
177	598 99 54-01	CABLE	13in	1
182	542 02 00-49	HOSE CLAMP	0,21-0,63	11
183	599 55 28-07	WIRE	57in	1
184	599 55 17-01	FUEL HOSE	Hose 55in	1
185	599 00 05-01	VALVE		1
186	599 55 28-03	WIRE	Wire loom, 15.75in	2
271	599 06 88-01	GROMMET		1
275	599 06 87-01	VENT		1
416	725 24 51-71	SCREW EHHM	M8x20,25Nm/18ft.lbs	8
447	725 24 95-71	SCREW EHHM	M10x30,49Nm/36ft.lbs	1
454	522 91 94-01	LOCK NUT	M8,DIN985	1
459	732 25 20-01	HEXAGON LOCKING NUT	M10,DIN980	1
467	542 16 74-85	LOCK NUT		4
480	725 22 95-71	SCREW EHHM	M4x20, 3Nm/2ft.lbs	4
482	734 11 46-01	WASHER		4
493	734 11 65-41	WASHER		8
494	599 16 75-01	LOCKWASHER	M10	1
710	599 13 12-02	TANK	Water tank	1
800	599 55 23-01	HOSE	11in	1
801	599 55 28-02	WIRE	Wire loom, 9in	1
802	599 46 55-02	HOSE	3/8 ID x 5in	1
803	599 55 28-01	WIRE	Wire loom, 3.50in	1
804	599 55 28-06	WIRE	3/8 ID x 33.00in	1
805	599 55 28-05	WIRE	Wire loom, 31in	1

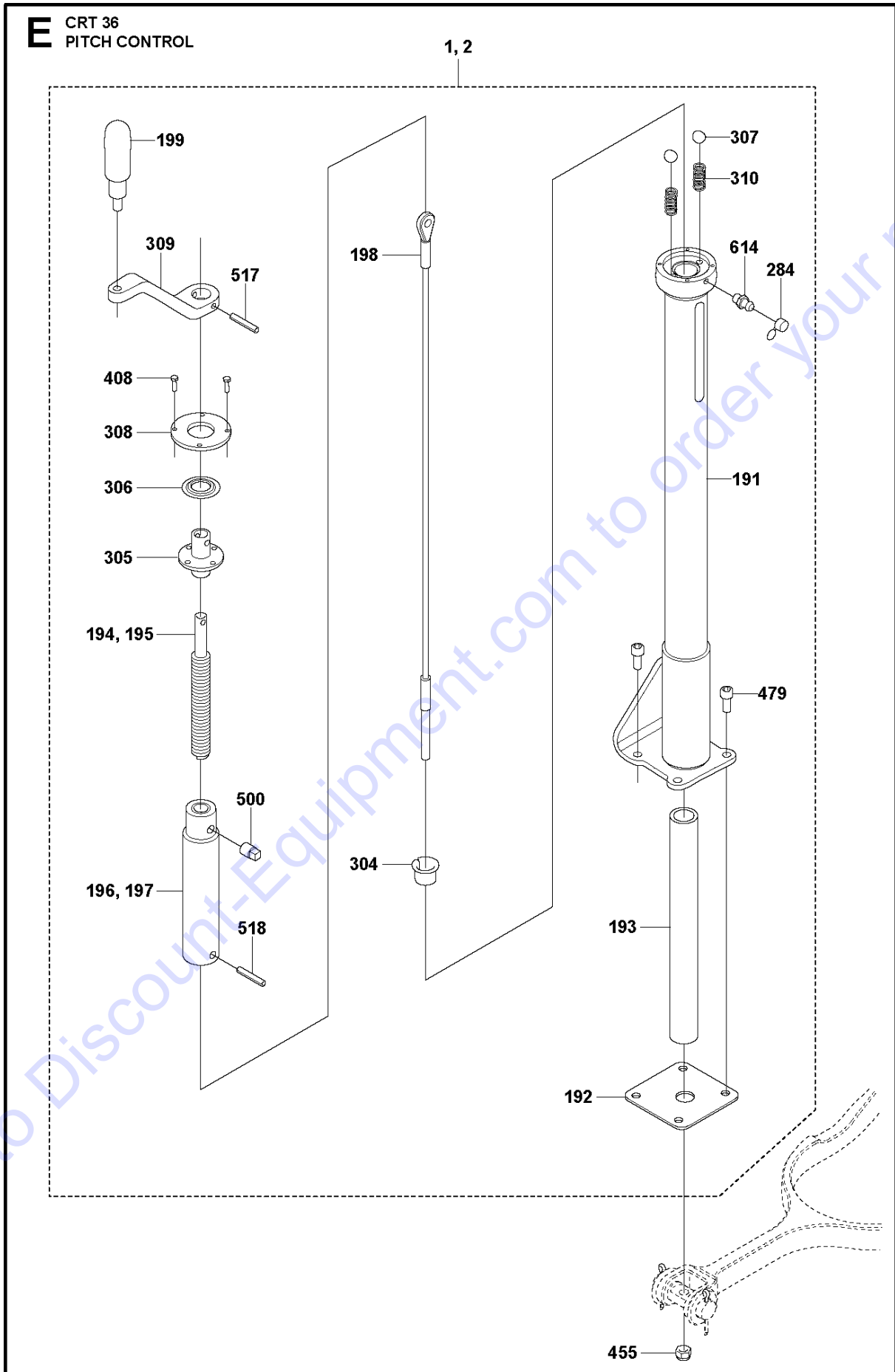
Go to Discount Equipment.com to order your parts



Ref	Part No	Description	Remark	QTY	KIT
4	599 13 02-02	PLATE		1	
5	599 03 21-01	PLATE		1	
6	599 13 03-02	PANEL ASSY		1	
9	599 03 20-01	PANEL		1	
181	598 99 46-01	SWITCH		1	
204	599 03 56-01	LEVER		1	
207	599 04 06-01	CABLE	Throttle cable	1	1110
311	599 17 19-01	SPRING		1	
352	599 04 60-01	PLATE		1	
406	585 98 06-01	SCREW EHHFM	M6 x 16 10Nm/7ft.lbs	21	
421	725 23 29-71	SCREW EHHM	M5x16 ISO 4017 8.8 ZPB	2	
422	599 17 18-01	SCREW	M6x50	1	
446	725 23 27-71	SCREW EHHM	M5x12 ISO 4017 8.8 ZPB	1	
448	599 60 85-01	SCREW	M6x30 ISO 4162 8.8 ZPB	2	
452	732 25 16-01	HEXAGON LOCKING NUT	M6 ISO 7040 8 ZPB	3	
453	593 35 64-01	NUT		6	
458	732 21 14-01	LOCK NUT	M5 ISO 10511 8	3	
470	599 16 68-01	LOCK NUT	Lugs 060023	15	
482	734 11 46-01	WASHER	M5 ISO 7089 200HV ZPB	2	
510	599 16 52-01	PIN	Clevis pin 1/4"x1/2"	1	1110
515	599 16 35-01	PIN	Cotter pin 0.073"x1-3/16" Zn	1	1110
706	505 82 18-01	HEX BOLT 6MM X 50 MM	M6x50	2	
1110	599 55 85-01	THROTTLE CABLE	Throttle cable kit	1	

Go to Discount-Equipment.com to order your parts

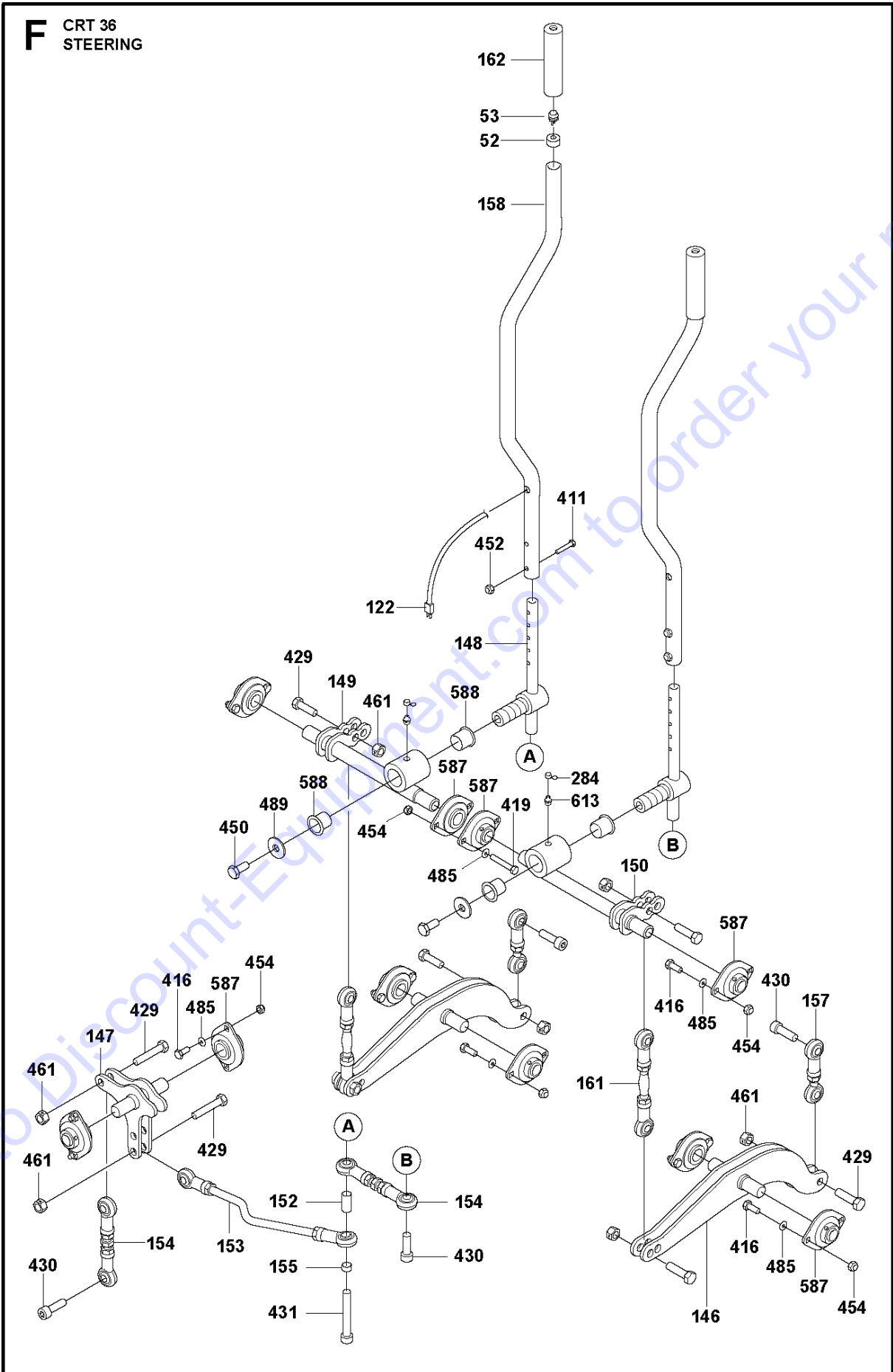
E CRT 36
PITCH CONTROL



Ref	Part No	Description	Remark	QTY	KIT
1	536 67 34-01	LEVER ASSY	Right hand, complete	1	
2	536 67 34-02	LEVER ASSY	Left hand, complete	1	
191	599 00 42-01	TUBE		1	1, 2
192	599 06 24-01	PLATE		1	1, 2
193	599 06 25-01	TUBE		1	1, 2
194	599 16 94-01	ROD	Right hand thread	1	1
195	599 16 95-01	ROD	Left hand thread	1	2
196	599 00 46-01	TUBE	Right hand thread	1	1
197	599 00 47-01	TUBE	Left hand thread	1	2
198	599 00 48-01	CABLE	Pitch cable	1	1, 2
199	599 00 51-01	HANDLE	Handle, 24Nm/18ft.lbs	1	1, 2
284	599 16 92-01	CAP	Cap	1	1, 2
304	599 00 43-01	BUSHING		1	1, 2
305	599 00 44-01	HUB		1	1, 2
306	599 16 93-01	RING	Nilos ring	1	1, 2
307	599 16 96-01	BALL		2	1, 2
308	599 00 49-01	PLATE		1	1, 2
309	599 04 74-01	CRANK		1	1, 2
310	599 00 41-01	SPRING		2	1, 2
408	599 16 82-01	SCREW	M4x14	4	1, 2
455	542 16 62-56	LOCK NUT	5/16"-24 Locknut, fiber	1	1, 2
479	725 54 51-01	SCREW IHSCM	M8x20 ISO 4762 8.8 ZPB	4	1, 2
500	599 17 31-01	PIPE		1	1, 2
517	599 16 33-01	PIN	Roll pin 1/4"x1-1/2"	1	1, 2
518	599 16 00-01	PIN	Roll pin 8x36	1	1, 2
614	599 17 66-01	FITTING	AM6 DIN 71412	1	1, 2

Go to Discount-Equipment.com to Order your parts

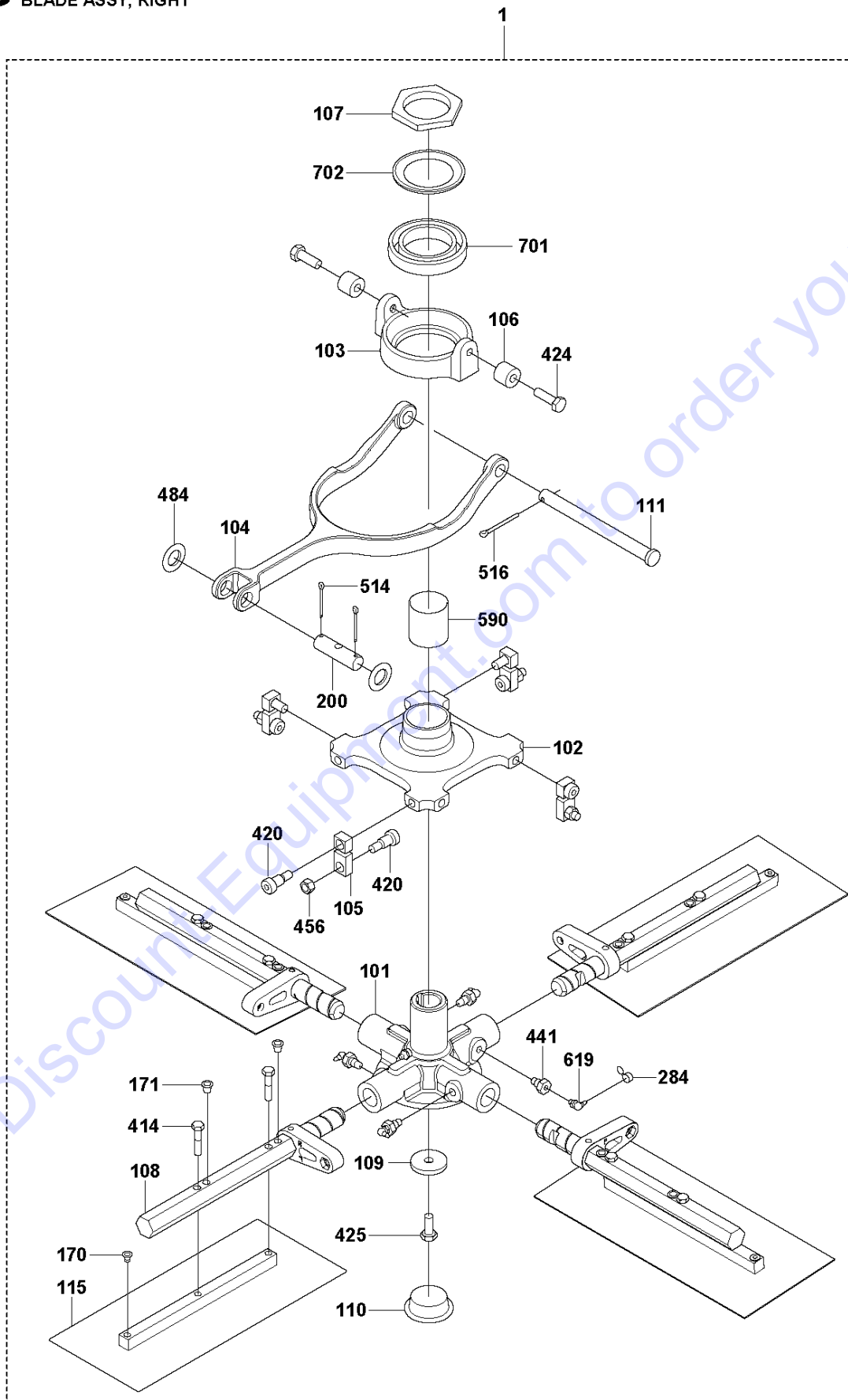
F CRT 36
STEERING



Ref	Part No	Description	Remark	QTY KIT
52	599 00 13-01	CAP		1
53	599 00 12-01	SWITCH		1
122	598 99 97-01	WIRING		1
146	599 03 24-01	BRACKET		2
147	599 00 20-01	BRACKET		1
148	599 00 17-01	PIVOT		2
149	599 03 09-01	HUB		1
150	599 03 10-01	HUB		1
152	598 99 36-01	TUBE		1
153	599 01 63-01	LINK		1
154	599 01 60-01	LINK		2
155	599 04 71-01	SPACER		1
157	599 03 84-01	LINK		2
158	599 03 35-01	HANDLE		2
161	599 01 61-01	LINK		2
162	598 99 96-01	HANDLE	Handle grip	2
284	599 16 92-01	CAP	Cap	2
411	725 23 76-71	SCREW EHHM	M6x35 ISO 4017 8.8 ZPB	4
416	725 24 51-71	SCREW EHHM	M8x20 ISO 4017 8.8 ZPB	16
419	725 24 64-51	SCREW EHHM	M8x65 ISO 4014 8.8 ZPB	2
429	599 17 25-01	SCREW	HHCS 1/2"-20x1-3/4"	8
430	587 42 88-01	BOLT	HSCS 1/2"-20x1"	4
431	599 17 04-01	SCREW	HSCS 1/2"-20x3-1/2"	1
450	585 23 59-01	SCREW EHHFM	M12x25 EN 1665 8.8 ZPB	2
452	732 25 16-01	HEXAGON LOCKING NUT	M6 ISO 7040 8 ZPB	4
454	732 25 18-01	HEXAGON LOCKING NUT	M8 ISO 7040 8 ZPB	18
461	587 65 39-03	NUT	1/2-20 UNF-2B x3/4" GR8 Clear Zinc	8
485	734 11 63-01	WASHER	M8 ISO 7089 200HV ZPB	18
489	734 11 80-01	WASHER		2
587	598 99 69-01	BEARING		10
588	598 99 31-01	BEARING		4
613	599 16 21-01	FITTING	AM10 DIN 71412	2

Go to Discount-Equipment.com to find your parts

G CRT 36
BLADE ASSY, RIGHT



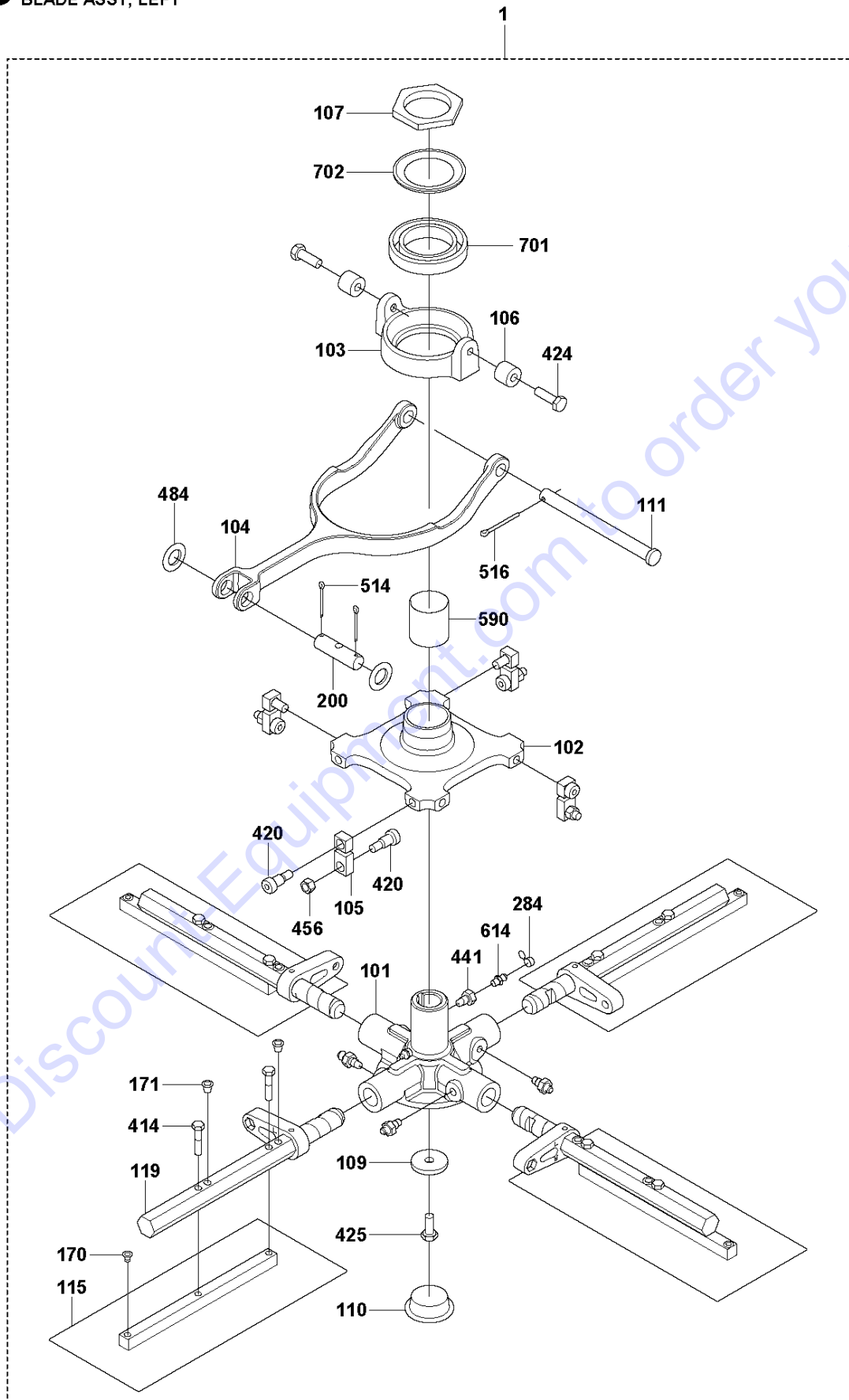
BLADE ASSY, RIGHT

CRT 36

Ref	Part No	Description	Remark	QTY	KIT
1	536 10 78-02	UNIT	Blade assy 36", right	1	
101	598 99 12-01	HUB		1	1
102	598 99 61-01	RING		1	1
103	598 99 63-01	HOLDER		1	1
104	598 99 65-01	YOKE		1	1
105	598 99 11-01	LINK		4	1
106	598 99 34-01	TUBE		2	1
107	598 99 66-01	CAP		1	1
108	599 00 39-01	SHAFT		4	1
109	599 16 60-01	WASHER		1	1
110	598 98 73-01	PLUG		1	1
111	599 16 66-01	SHAFT		1	1
115	598 92 95-01	BLADE SET	Set of 4 pcs, finish, 36"	1	1
170	599 16 34-01	PLUG		4	1
171	599 06 36-01	PLUG		8	1
200	598 99 35-01	MOUNT		1	1
284	599 16 92-01	CAP		4	1
414	505 72 82-01	BOLT	HHCS 5/16"-18 UNC x1-1/2" GR5 Zn	8	1
420	599 16 30-01	SCREW	SHSB 1/2"x1/2" GR	8	1
424	725 24 97-51	SCREW	M10x35 ISO 4017 8.8 ZPB	2	1
425	725 24 93-71	SCREW EHHM	M10x25 ISO 4017 8.8 ZPB	1	1
441	598 98 69-01	SCREW		4	1
456	539 99 01-30	NUT	3/8-16" ZPB"	4	1
484	542 17 30-35	WASHER	M20 ISO 7089 200HV ZPB	2	1
514	542 02 06-16	PIN	Cotter pin 1/4"x1-1/2" Zn	2	1
516	541 20 49-24	PIN		1	
590	598 98 72-01	BEARING		1	1
619	599 17 03-01	GREASE	AM6 DIN 71412 90DEG	4	1
701	598 99 67-01	BEARING	6012 2NSE/C3	1	1
702	599 16 61-01	RING	RING, NILOS 6012ZAV	1	1

Go to Discount-Equipment.com to get your parts

G CRT 36
BLADE ASSY, LEFT

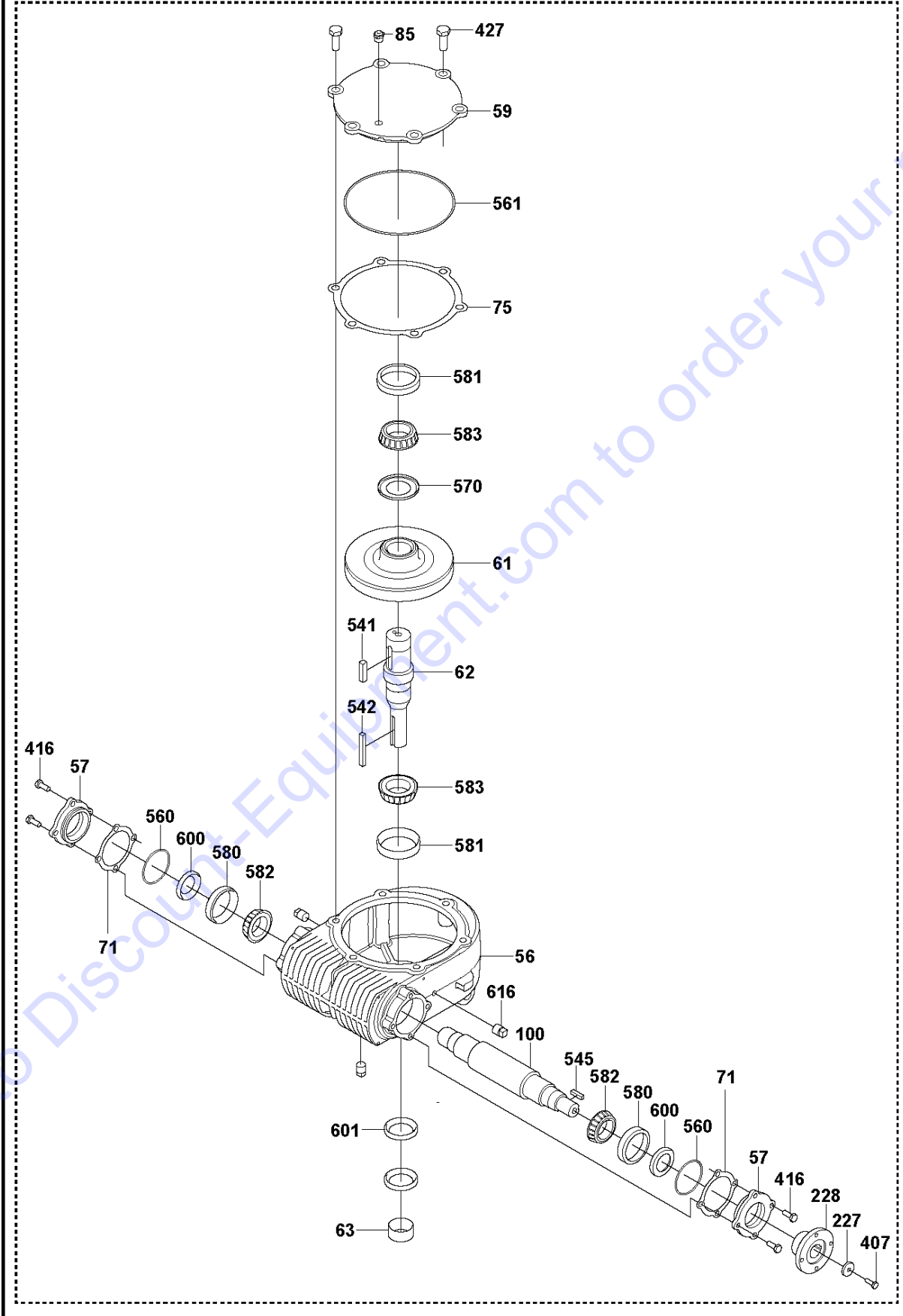


Ref	Part No	Description	Remark	QTY	KIT
1	536 10 78-01	UNIT	Blade assy 36", left	1	1
101	598 99 12-01	HUB		1	1
102	598 99 61-01	RING		1	1
103	598 99 63-01	HOLDER		1	1
104	598 99 65-01	YOKE		1	1
105	598 99 11-01	LINK		4	1
106	598 99 34-01	TUBE		2	1
107	598 99 66-01	CAP		1	1
109	599 16 60-01	WASHER		4	1
110	598 98 73-01	PLUG		1	1
111	599 16 66-01	SHAFT		1	1
115	598 92 95-01	BLADE SET	Set of 4 pcs, finish, 36"	1	1
119	599 00 40-01	SHAFT		1	1
170	599 16 34-01	PLUG		4	1
171	599 06 36-01	PLUG		8	1
200	598 99 35-01	MOUNT		1	1
284	599 16 92-01	CAP		4	1
414	505 72 82-01	BOLT	HHCS 5/16"-18 UNC x1-1/2" GR5 Zn	8	1
420	599 16 30-01	SCREW	SHSB 1/2"x1/2" GR	8	1
424	725 24 97-51	SCREW	M10x35 ISO 4017 8.8 ZPB	2	1
425	725 24 93-71	SCREW EHHM	M10x25 ISO 4017 8.8 ZPB	1	1
441	598 98 69-01	SCREW		4	1
456	539 99 01-30	NUT	3/8-16" ZPB	4	1
484	542 17 30-35	WASHER	M20 ISO 7089 200HV ZPB	2	1
514	542 02 06-16	PIN	Cotter pin 1/4"x1-1/2" Zn	2	1
516	541204924	TBD	Cotter pin 3/16"x2" Zn	1	
590	598 98 72-01	BEARING		1	1
614	599 17 66-01	FITTING	AM6 DIN 71412	4	1
701	598 99 67-01	BEARING	6012 2NSE/C3	1	1
702	599 16 61-01	RING	RING, NILOS 6012ZAV	1	1

Go to Discount-Equipment.com to get your parts

J CRT 36
GEARBOX, RIGHT

1

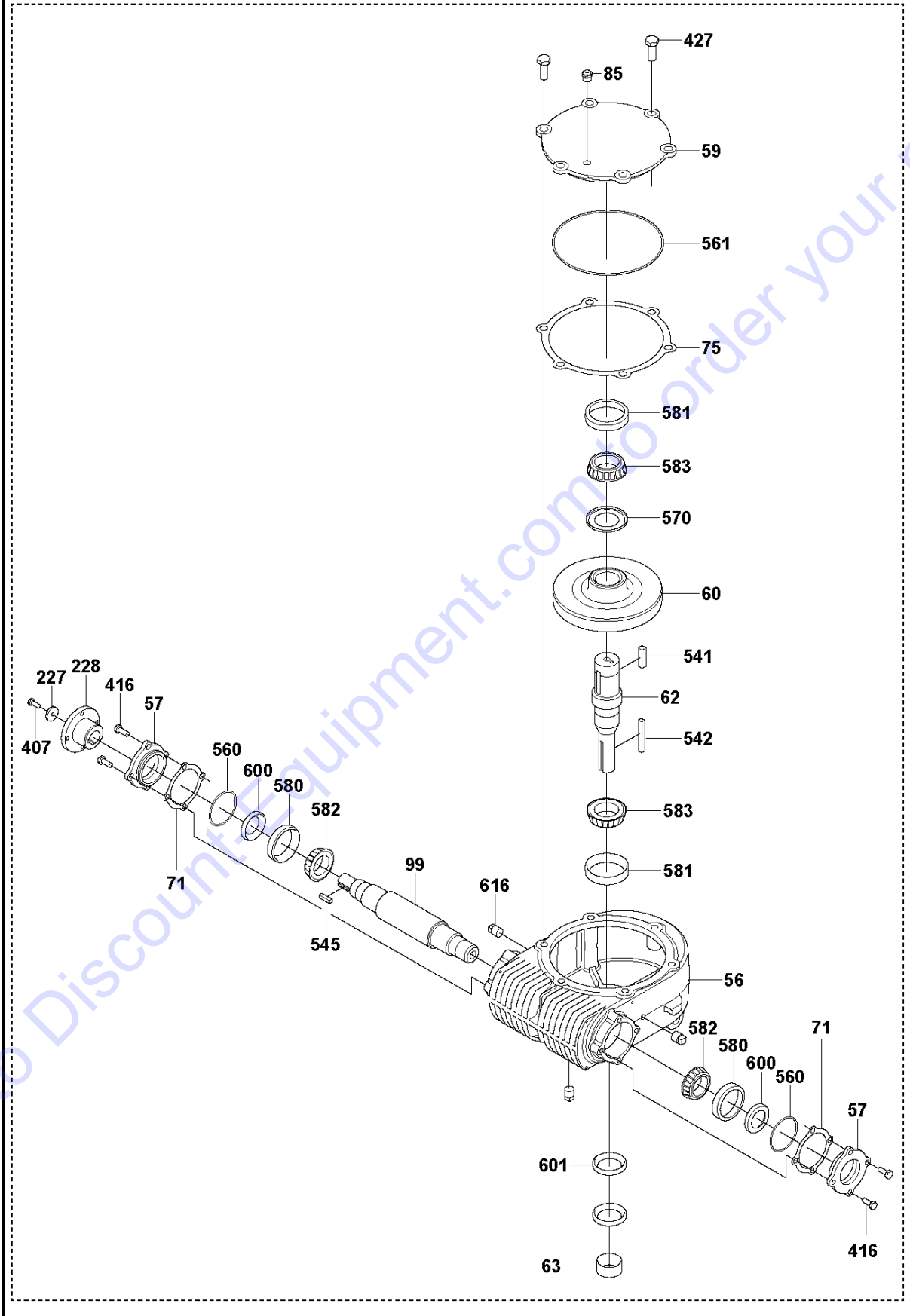


Ref	Part No	Description	Remark	QTY	KIT
1	599 34 00-02	GEARBOX ASSY	Gearbox assy RH, CRT 36	1	
56	598 99 21-01	GEARBOX		1	1
57	598 99 22-01	COVER		2	1
59	598 99 15-01	COVER		1	1
61	598 99 16-01	GEAR	Gear, worm RH	1	1
62	598 99 82-01	SHAFT		1	1
63	598 99 77-01	WASHER		1	1
71	536 85 28-02	SHIM	Shim kit, side cover, 4pcs	1	1
75	536 85 28-01	SHIM	Shim kit, upper cover, 5pcs	1	1
85	599 17 05-01	VALVE		1	1
100	598 99 51-01	WORM GEAR	Worm, RH	1	1
227	599 16 58-01	WASHER		1	1
228	599 12 54-01	FITTING		1	1
407	725 23 70-71	SCREW EHHM	M6x20 ISO 4017 8.8 ZPB	1	1
416	725 24 51-71	SCREW EHHM	M8x20 ISO 4017 8.8 ZPB	8	1
427	725 25 38-71	SCREW EHHM	M12x35 ISO 4017 8.8 ZPB	2	1
541	599 16 48-01	KEY	3/8"x3/8"x1-1/2"	1	1
542	599 16 70-01	KEY	7x8x65	1	1
545	541 20 34-04	KEY	1/4"x1/4"x1"	1	1
560	598 99 23-01	O-RING	2-3/8"x3/32" NBR 70 Shore	2	1
561	598 99 24-01	O-RING	7-1/4"x1/8" NBR 70 Shore	1	1
570	599 16 45-01	SEAL	RING, NILOS LM501349/LM501310 AV	1	1
580	599 16 46-01	BEARING	LM48510	2	1
581	599 16 47-01	BEARING	LM501310	2	1
582	598 99 47-01	BEARING	LM48548	2	1
583	599 16 56-01	BEARING	LM501349	2	1
600	599 04 75-01	SEAL	13054	2	1
601	599 04 76-01	SEAL	16078	2	1
616	599 17 10-01	PLUG		3	1

Go to Discount-Equipment.com to buy your parts

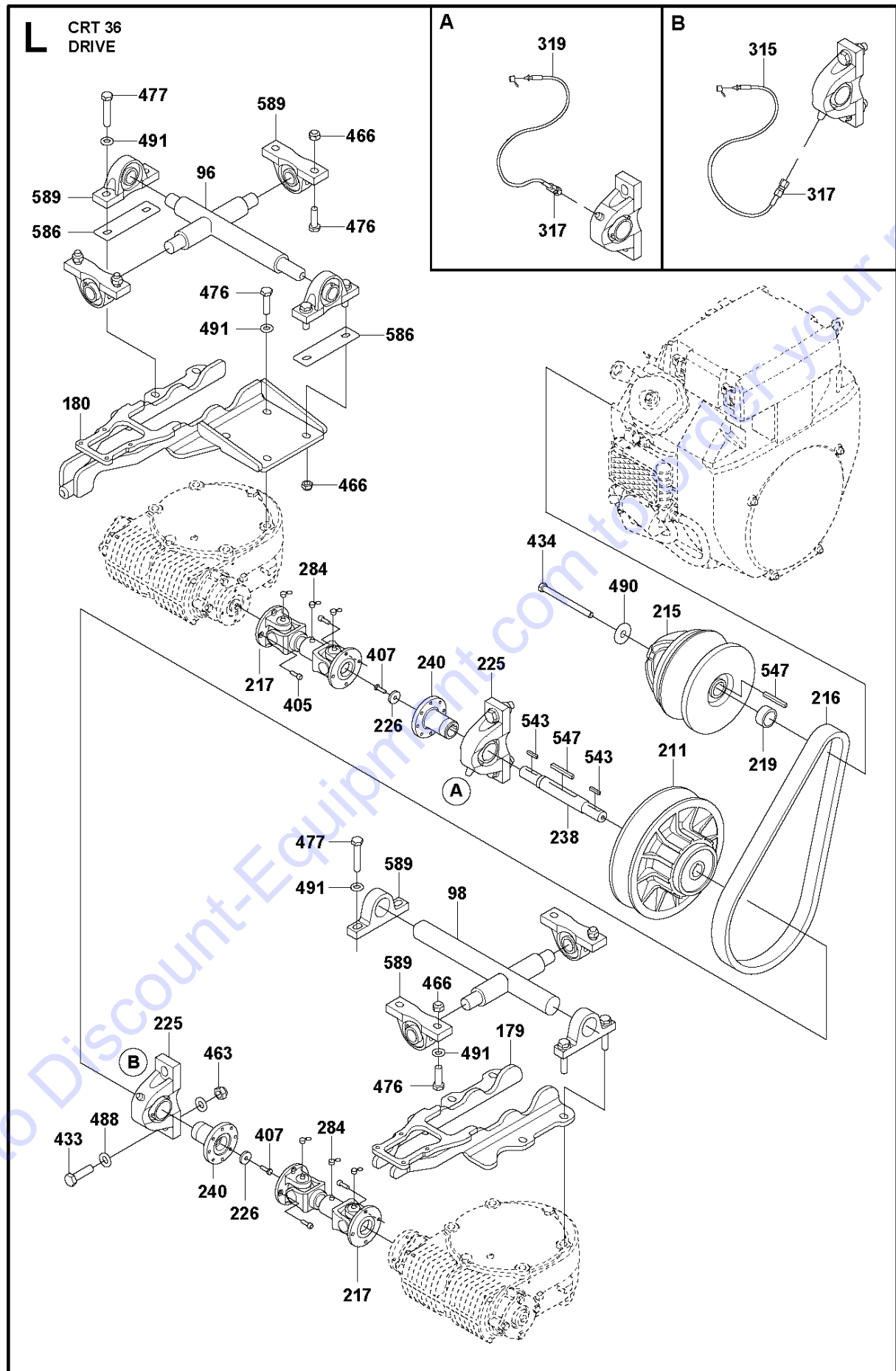
K CRT 36
GEARBOX, LEFT

1



Ref	Part No	Description	Remark	QTY	KIT
1	599 34 00-01	GEARBOX ASSY	Gearbox assy LH, CRT 36	1	1
56	598 99 21-01	GEARBOX		1	1
57	598 99 22-01	COVER		2	1
59	598 99 15-01	COVER		1	1
60	598 99 18-01	GEAR	Gear, worm LH	1	1
62	598 99 82-01	SHAFT		1	1
63	598 99 77-01	WASHER		1	1
71	536 85 28-02	SHIM	Shim kit, side cover, 4pcs	1	1
75	536 85 28-01	SHIM	Shim kit, upper cover, 5pcs	1	1
85	599 17 05-01	VALVE		1	1
99	598 99 50-01	WORM GEAR	Worm, LH	1	1
227	599 16 58-01	WASHER		1	1
228	599 12 54-01	FITTING		1	1
407	725 23 70-71	SCREW EHHM	M6x20 ISO 4017 8.8 ZPB	1	1
416	725 24 51-71	SCREW EHHM	M8x20 ISO 4017 8.8 ZPB	8	1
427	725 25 38-71	SCREW EHHM	M12x35 ISO 4017 8.8 ZPB	2	1
541	599 16 48-01	KEY	3/8"x3/8"x1-1/2"	1	1
542	599 16 70-01	KEY	7x8x65	1	1
545	541 20 34-04	KEY	1/4"x1/4"x1"	1	1
560	598 99 23-01	O-RING	2-3/8"x3/32" NBR 70 Shore	2	1
561	598 99 24-01	O-RING	7-1/4"x1/8" NBR 70 Shore	1	1
570	599 16 45-01	SEAL	RING, NILOS LM501349/LM501310 AV	1	1
580	599 16 46-01	BEARING	LM48510	2	1
581	599 16 47-01	BEARING	LM501310	2	1
582	598 99 47-01	BEARING	LM48548	2	1
583	599 16 56-01	BEARING	LM501349	2	1
600	599 04 75-01	SEAL	13054	2	1
601	599 04 76-01	SEAL	16078	2	1
616	599 17 10-01	PLUG		3	1

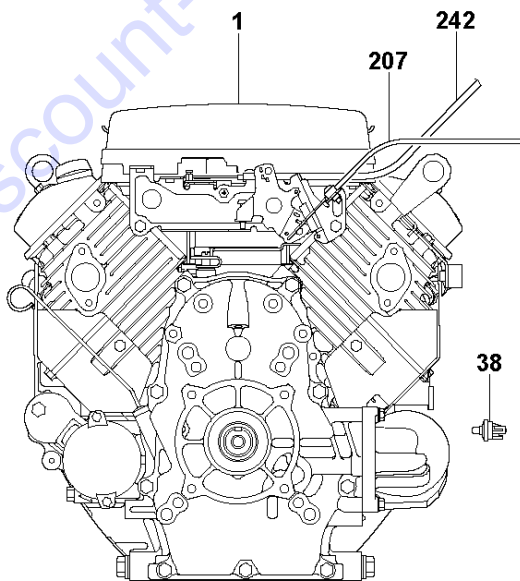
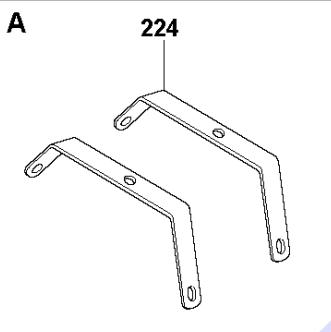
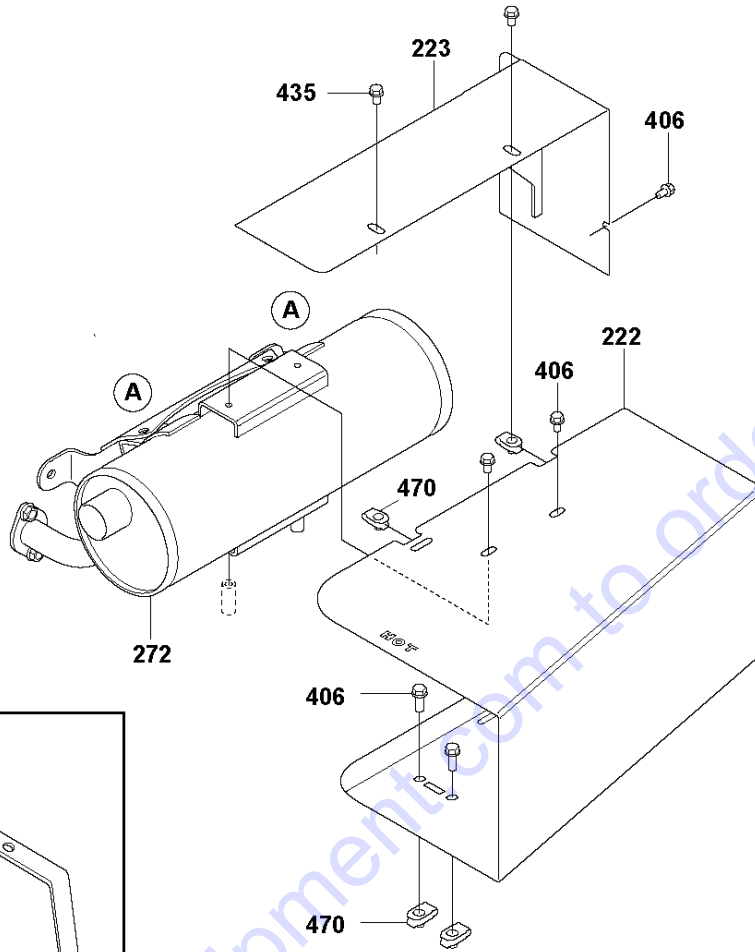
Go to Discount-Equipment.com to buy your parts



Ref	Part No	Description	Remark	QTY KIT
96	599 03 53-01	LEVER	Right cross	1
98	599 03 83-01	LEVER	Left cross	1
179	599 03 52-01	BRACKET	Gearbox bracket, left	1
180	599 03 47-01	BRACKET	Gearbox bracket, right	1
211	599 03 27-01	CLUTCH		1
215	599 03 28-01	CLUTCH		1
216	599 03 26-01	BELT		1
217	598 99 52-01	JOINT		2
219	599 02 21-01	SPACER		1
225	598 99 45-01	BEARING	UCP 207-23	2
226	599 16 54-01	WASHER		2
238	599 03 98-01	SHAFT		1
240	598 99 48-01	FITTING		2
284	599 16 92-01	CAP		8
315	599 08 33-01	HOSE		1
317	599 17 29-01	FITTING		2
319	599 08 34-01	HOSE		1
405	725 53 70-01	SCREW IHSCM	M6x20 ISO 4762 8.8 ZPB	16
407	725 23 70-71	SCREW EHHM	M6x20 ISO 4017 8.8 ZPB	2
433	597 97 91-01	SCREW	M14x50 ISO 4017 8.8 ZPB	4
434	599 16 77-01	SCREW	HHCS 7/16"-20x4-1/2" GR5 Zn	1
463	598 55 65-01	NUT	M14 DIN 985 8 ZPB	4
466	732 25 22-01	HEXAGON LOCKING NUT	M12 ISO 7040 8 ZPB	10
476	725 25 41-71	SCREW EHHM	M12x45 ISO 4017 8.8 ZPB	12
477	725 25 44-51	SCREW EHHM	M12x60 ISO 4014 8.8 ZPB	6
488	599 16 57-01	WASHER		8
490	599 16 44-01	WASHER		1
491	734 11 78-01	WASHER	M12 ISO 7089 200HV ZPB	18
543	541 40 04-48	KEY	3/16"x3/16"x1"	2
547	599 17 24-01	KEY	1/4"x1/4"x2-1/4"	2
586	599 03 99-01	SHIM		2
589	542 16 26-33	BEARING	UCP 205-16	6

Go to Discount-Equipment.com to find your parts

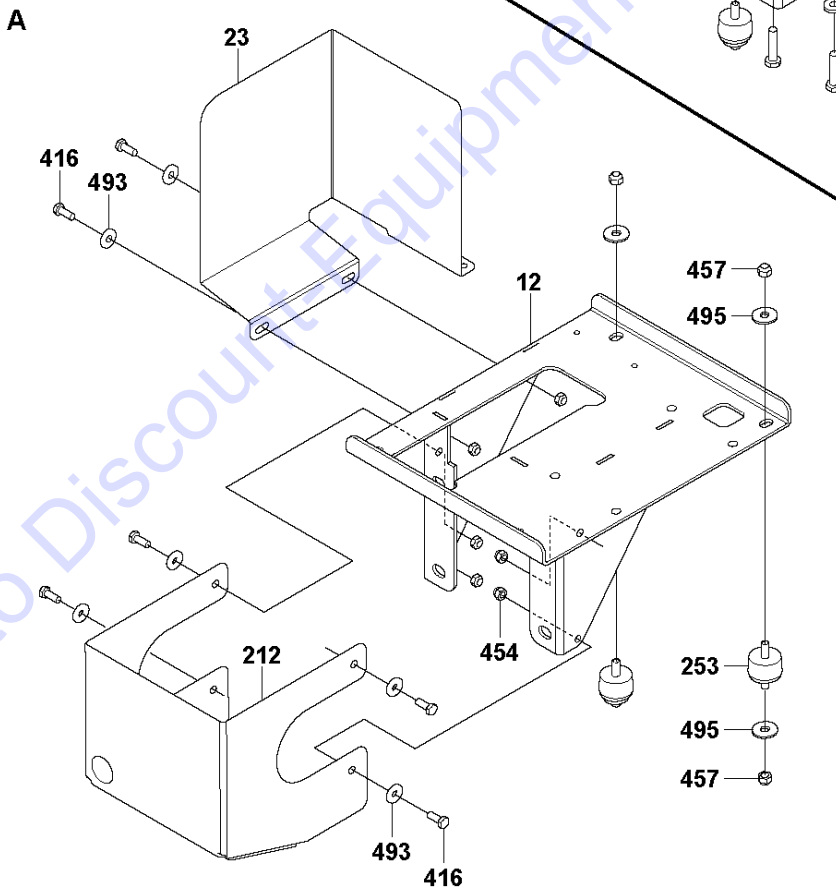
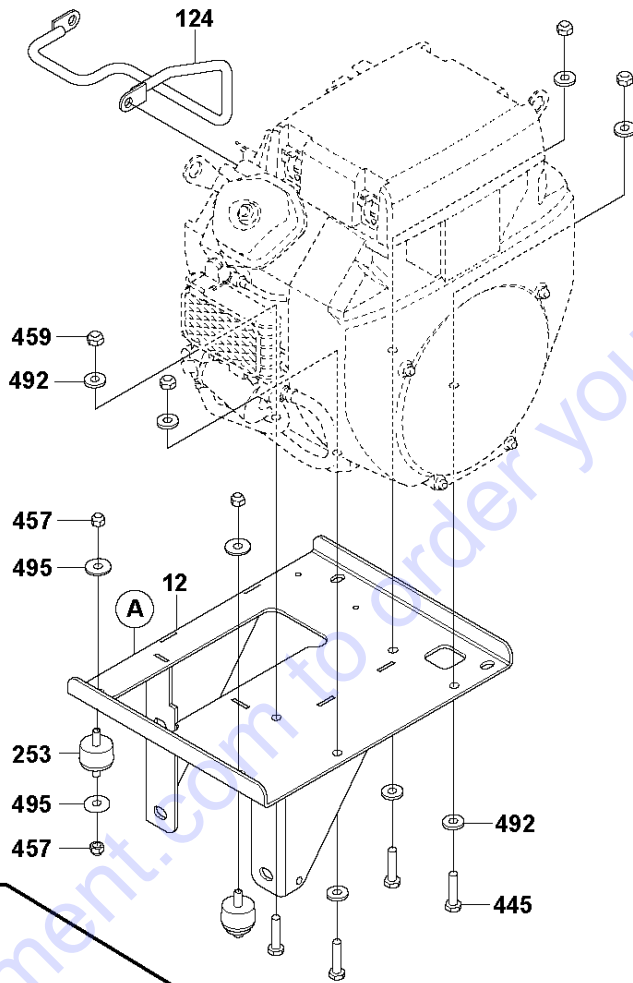
M CRT 36
ENGINE, MUFFLER & HEATSHIELD



Ref	Part No	Description	Remark	QTY KIT
1	531 01 42-01	ENGINE KIT	Complete, Honda	1
38	599 04 37-01	SWITCH		1
207	599 04 06-01	CABLE		1
222	599 04 42-01	HEAT SHIELD		1
223	599 05 53-01	HEAT SHIELD		1
224	599 05 52-01	BRACKET		2
242	599 10 81-01	CABLE		2
272	599 06 97-01	MUFFLER		1
406	585 98 06-01	SCREW EHHFM	M6x16 EN 1665 8.8 ZPB	9
435	725 23 66-61	SCREW EHHFT	M6x12 EN 1665 8.8 ZPB	4
470	599 16 68-01	LOCK NUT	Lugs 060023	9

Go to Discount-Equipment.com to order your parts

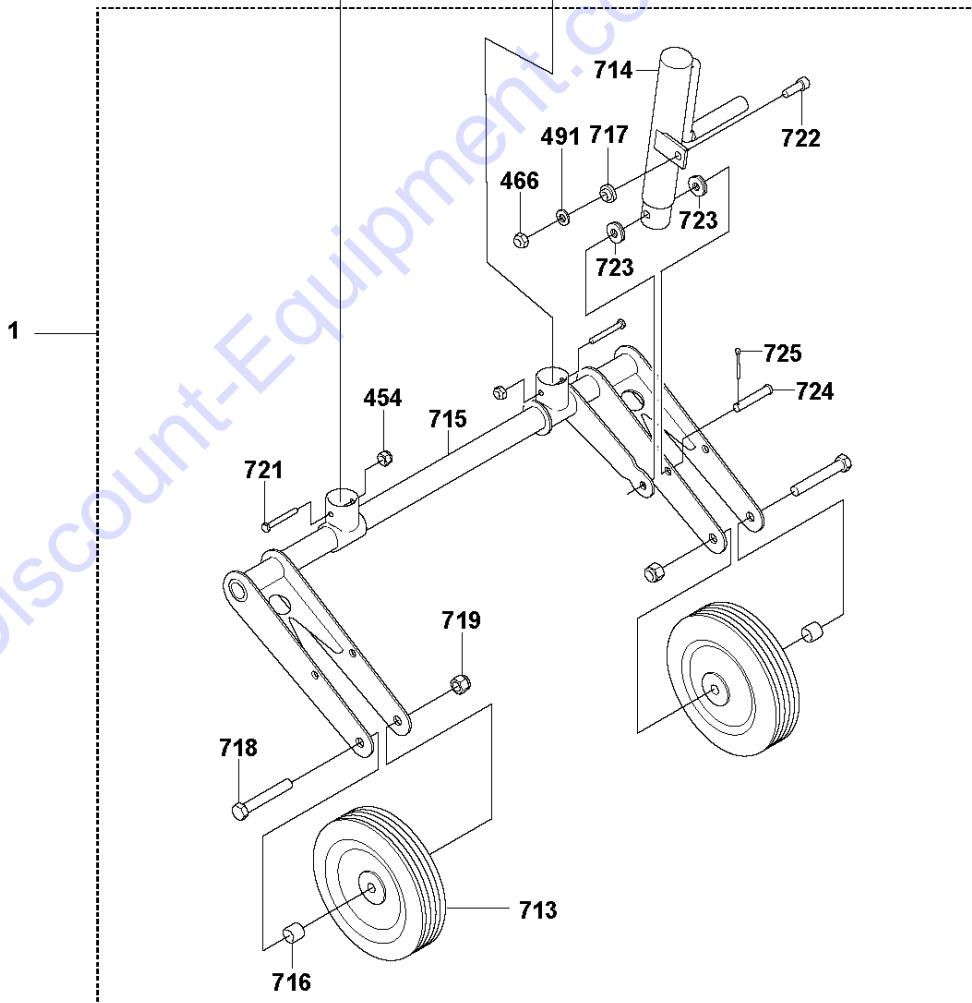
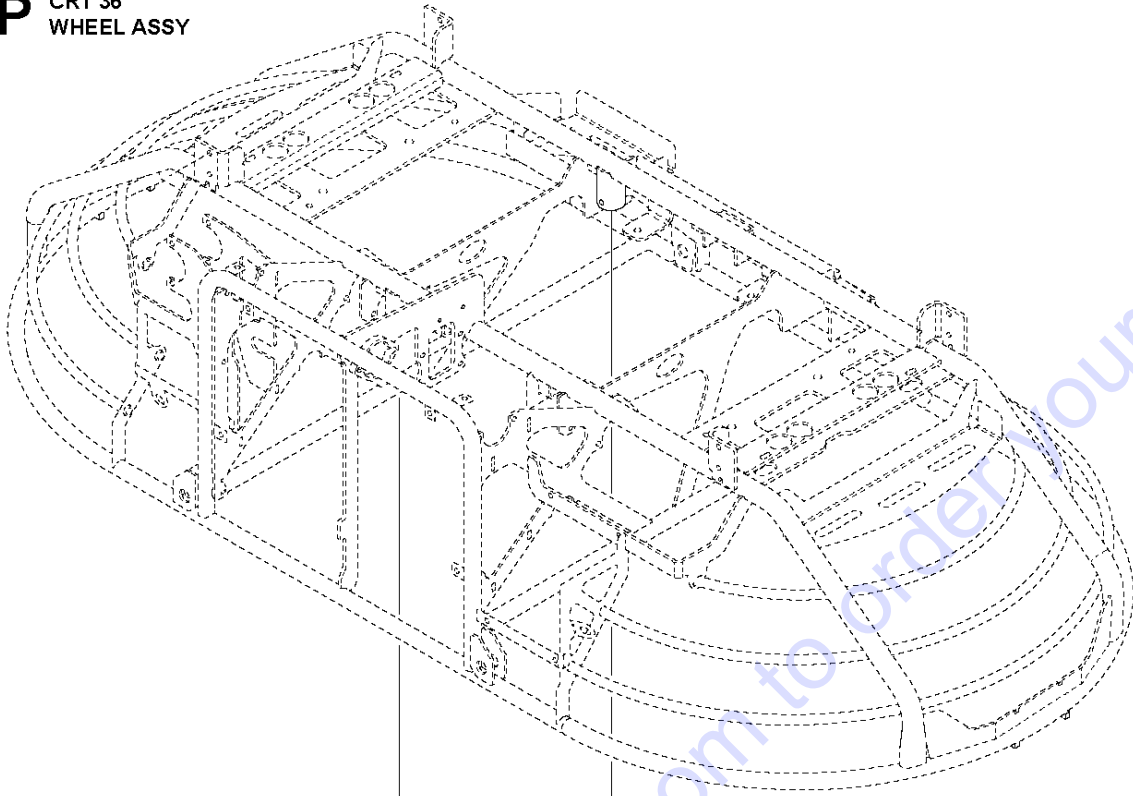
N CRT 36
ENGINE PLATE



Ref	Part No	Description	Remark	QTY KIT
12	599 03 15-01	PLATE		1
23	599 03 82-01	BELT GUARD		1
124	541 20 10-14	CABLE	16" black	1
212	599 04 00-01	GUARD		1
253	598 99 98-01	BUMPER		4
416	725 24 51-71	SCREW EHHM	M8x20 ISO 4017 8.8 ZPB	8
445	725 25 00-51	SCREW EHHM	M10x45 ISO 4014 8.8 ZPB	4
454	732 25 18-01	HEXAGON LOCKING NUT	M8 ISO 7040 8 ZPB	4
457	539 97 69-79	NUT	3/8"-16 hex, Nyloc	8
459	732 25 20-01	HEXAGON LOCKING NUT	M10 ISO 7040 8 ZPB	4
492	599 16 10-01	WASHER		8
493	734 11 65-41	WASHER	M8 ISO 7093 ZPB	8
495	734 11 74-41	WASHER	M10 ISO 7093 ZPB	8

Go to Discount-Equipment.com to order your parts

P CRT 36
WHEEL ASSY



Go to Discount-Equipment.com to order your parts

WHEEL KIT

CRT 36

Ref	Part No	Description	Remark	QTY KIT
1	599 77 52-01	WHEEL SYSTEM		1
454	732 25 18-01	HEXAGON LOCKING NUT	M8 ISO 7040 8 ZPB	2
466	732 25 22-01	HEXAGON LOCKING NUT	M12 ISO 7040 8 ZPB	1
491	734 11 78-01	WASHER	M12 ISO 7089 200HV ZPB	1
713	599 00 77-01	WHEEL		2
714	599 03 39-01	WHEEL KIT		1
715	599 02 50-01	BRACKET		1
716	599 03 40-01	SPACER		2
717	599 03 41-01	SPACER		1
718	539 10 04-64	BOLT	HHCS 5/8"-11 UNC x4" GR5 Zn	2
719	594 97 70-01	NUT	5/8"-11 UNC GR5 Clear Zinc, Nyloc	2
721	725 24 64-51	SCREW EHHM	M8x65 ISO 4014 8.8 ZPB	2
722	599 16 09-01	SCREW		1
723	539 99 02-50	WASHER		2
724	599 17 27-01	PIN	Clevis pin 1/2"x2-3/4"	1
725	599 16 01-01	PIN	Cotter pin 3.2x25	1

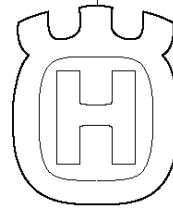
Go to Discount-Equipment.com to order your parts

Q CRT36, US
DECALS



1

2



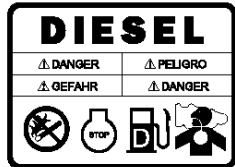
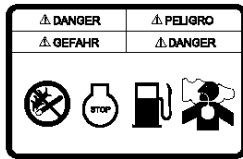
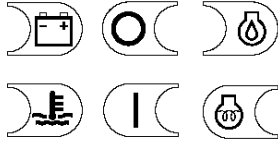
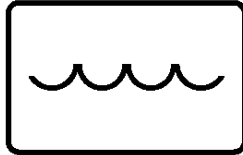
CRT 36

3

5



6



20.26"

18"

5.8"

4"

LEFT

RIGHT

MANUAL CRT

HONDA 3.5, 4HP

LIQUID COOLED

CRT PS

CRT36 ONLY

CRT48 ONLY

WARNING

AVVERTISSEMENT

CAUTION

ATTENCION

PELIGRO

DANGER

STOP

L **R**

WARNING

AVVERTISSEMENT

CAUTION

ATTENCION

PELIGRO

DANGER

STOP

ENTER ZONE BEFORE DISCHARGING A PIKE

WARNING

AVVERTISSEMENT

EMISSION CONTROL INFORMATION

HUSQVARNA

THIS EQUIPMENT MEETS U.S. EPA EVAP STANDARDS

FAMILY: MHQCPNHEQB1

580401612

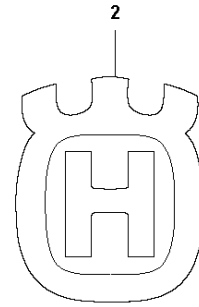
7

Ref	Part No	Description	Remark	QTY KIT
1	599 23 53-01	DECAL		2
2	599 23 47-01	DECAL		1
3	599 23 46-01	DECAL		1
4	599 04 31-01	LABEL		1
5	599 96 36-01	LABEL		2
6	599 04 73-01	LABEL		1
7	580 40 16-12	DECAL		1

Go to Discount-Equipment.com to order your parts

R CRT36, EU
DECALS

1
Husqvarna®



3
CRT 36

4



6



8
UK Importer: Husqvarna UK Limited
Address: Preston road, Aycliffe
Business Park Newton
Aycliffe, County Durham
UK DL5 6UP

Ref	Part No	Description	Remark	QTY KIT
1	599 23 53-01	DECAL		2
2	599 23 47-01	DECAL		1
3	599 23 46-01	DECAL		1
4	599 04 31-01	LABEL		1
5	599 96 36-01	LABEL		2
6	599 05 15-01	LABEL		1
7	588 06 16-01	DECAL		1
8	529 75 28-01	LABEL		1

Go to Discount-Equipment.com to order your parts

PARTS FINDER

**Search Website
by Part Number**



**Search Manual
Library For Parts
Manual & Lookup Part
Numbers – Purchase
or Request Quote**

Search Manuals

Enter your information to help us find the right parts manual for your machine.

* Brand:

* Model:

* Serial:

* Part Number:

SEARCH

**Can't Find Part or
Manual? Request Help
by Manufacturer,
Model & Description**

Parts Order Form

Please fill in the following information to help us find the right part for your machine.

Manufacturer:	<input type="text"/>
Model:	<input type="text"/>
Description:	<input type="text"/>
Part Number:	<input type="text"/>
Quantity:	<input type="text"/>
Notes:	<input type="text"/>

Submit

Discount-Equipment.com is your online resource for quality parts & equipment.

Florida: **561-964-4949** Outside Florida TOLL FREE: **877-690-3101**

Need parts?

Click on this link: <http://www.discount-equipment.com/category/5443-parts/> and choose one of the options to help get the right parts and equipment you are looking for. Please have the machine model and serial number available in order to help us get you the correct parts. If you don't find the part on the website or on one of the online manuals, please fill out the request form and one of our experienced staff members will get back to you with a quote for the right part that your machine needs.

We sell worldwide for the brands: Genie, Terex, JLG, MultiQuip, Mikasa, Essick, Whiteman, Mayco, Toro Stone, Diamond Products, Generac Magnum, Airman, Haulotte, Barreto, Power Blanket, Nifty Lift, Atlas Copco, Chicago Pneumatic, Allmand, Miller Curber, Skyjack, Lull, Skytrak, Tsurumi, Husquvarna Target, Stow, Wacker, Sakai, Mi-T-M, Sullair, Basic, Dynapac, MBW, Weber, Bartell, Bennar Newman, Haulotte, Ditch Runner, Menegotti, Morrison, Contec, Buddy, Crown, Edco, Wyco, Bomag, Laymor, EZ Trench, Bil-Jax, F.S. Curtis, Gehl Pavers, Heli, Honda, ICS/PowerGrit, IHI, Partner, Imer, Clipper, MMD, Koshin, Rice, CH&E, General Equipment, Amida, Coleman, NAC, Gradall, Square Shooter, Kent, Stanley, Tamco, Toku, Hatz, Kohler, Robin, Wisconsin, Northrock, Oztec, Toker TK, Rol-Air, APT, Wylie, Ingersoll Rand / Doosan, Innovatech, Con X, Ammann, Mecalac, Makinex, Smith Surface Prep, Small Line, Wanco, Yanmar