



SPARE PARTS LIST

DRILLING EQUIPMENT

DS250 Single speed, 2013-01

Go to Discount-Equipment.com to order your parts



PARTS FINDER

**Search Website
by Part Number**



**Search Manual
Library For Parts
Manual & Lookup Part
Numbers – Purchase
or Request Quote**

Search Manuals

Enter your information to help us find the right parts manual for your machine.

* Brand:

* Model:

* Serial:

* Part Number:

SEARCH

**Can't Find Part or
Manual? Request Help
by Manufacturer,
Model & Description**

Parts Order Form

Please fill in the following information to help us find the right part for your machine.

Manufacturer:	<input type="text"/>
Model:	<input type="text"/>
Description:	<input type="text"/>
Part Number:	<input type="text"/>
Quantity:	<input type="text"/>
Notes:	<input type="text"/>

Submit

Discount-Equipment.com is your online resource for quality parts & equipment.

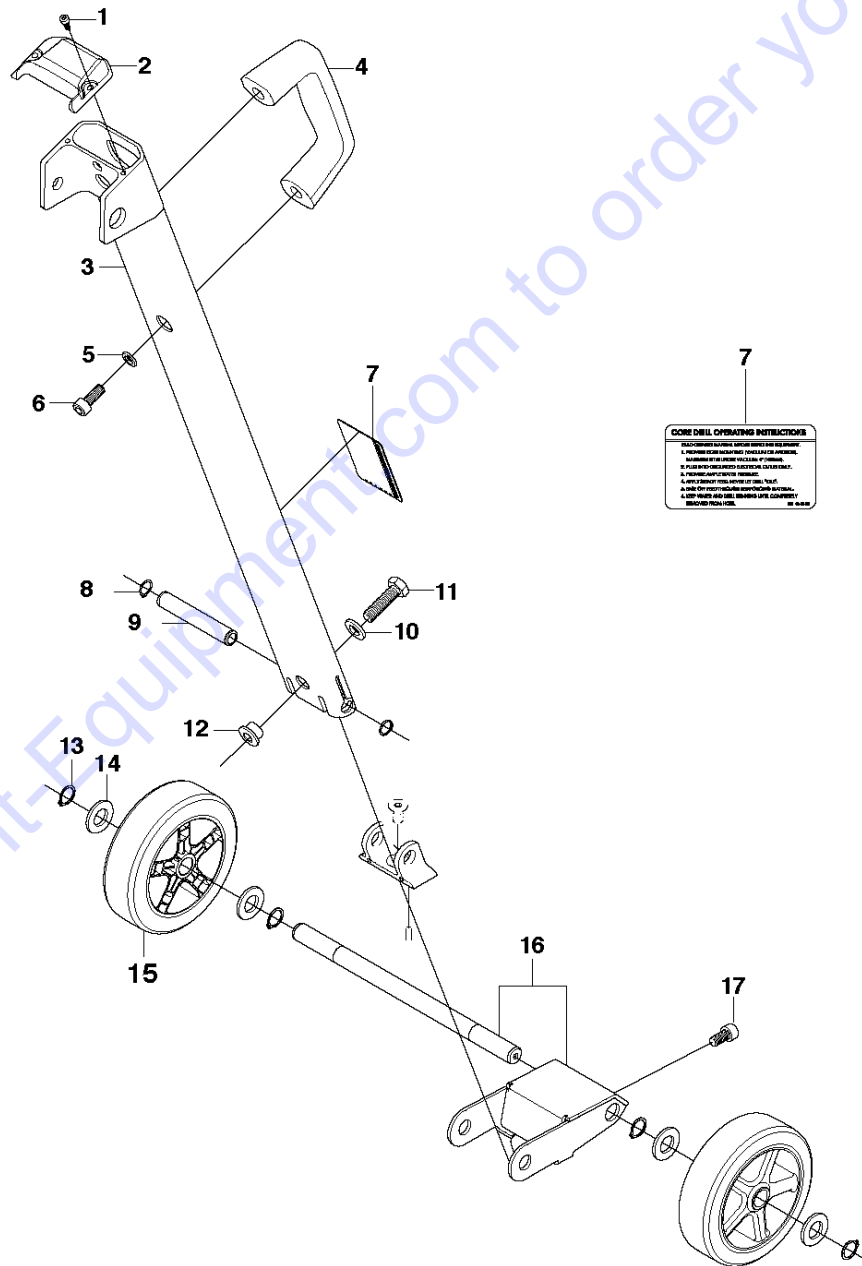
Florida: **561-964-4949** Outside Florida TOLL FREE: **877-690-3101**

Need parts?

Click on this link: <http://www.discount-equipment.com/category/5443-parts/> and choose one of the options to help get the right parts and equipment you are looking for. Please have the machine model and serial number available in order to help us get you the correct parts. If you don't find the part on the website or on one of the online manuals, please fill out the request form and one of our experienced staff members will get back to you with a quote for the right part that your machine needs.

We sell worldwide for the brands: Genie, Terex, JLG, MultiQuip, Mikasa, Essick, Whiteman, Mayco, Toro Stone, Diamond Products, Generac Magnum, Airman, Haulotte, Barreto, Power Blanket, Nifty Lift, Atlas Copco, Chicago Pneumatic, Allmand, Miller Curber, Skyjack, Lull, Skytrak, Tsurumi, Husquvarna Target, Stow, Wacker, Sakai, Mi-T-M, Sullair, Basic, Dynapac, MBW, Weber, Bartell, Bennar Newman, Haulotte, Ditch Runner, Menegotti, Morrison, Contec, Buddy, Crown, Edco, Wyco, Bomag, Laymor, EZ Trench, Bil-Jax, F.S. Curtis, Gehl Pavers, Heli, Honda, ICS/PowerGrit, IHI, Partner, Imer, Clipper, MMD, Koshin, Rice, CH&E, General Equipment, Amida, Coleman, NAC, Gradall, Square Shooter, Kent, Stanley, Tamco, Toku, Hatz, Kohler, Robin, Wisconsin, Northrock, Oztec, Toker TK, Rol-Air, APT, Wylie, Ingersoll Rand / Doosan, Innovatech, Con X, Ammann, Mecalac, Makinex, Smith Surface Prep, Small Line, Wanco, Yanmar

B



Go to Discount-Equipment.com to order your parts

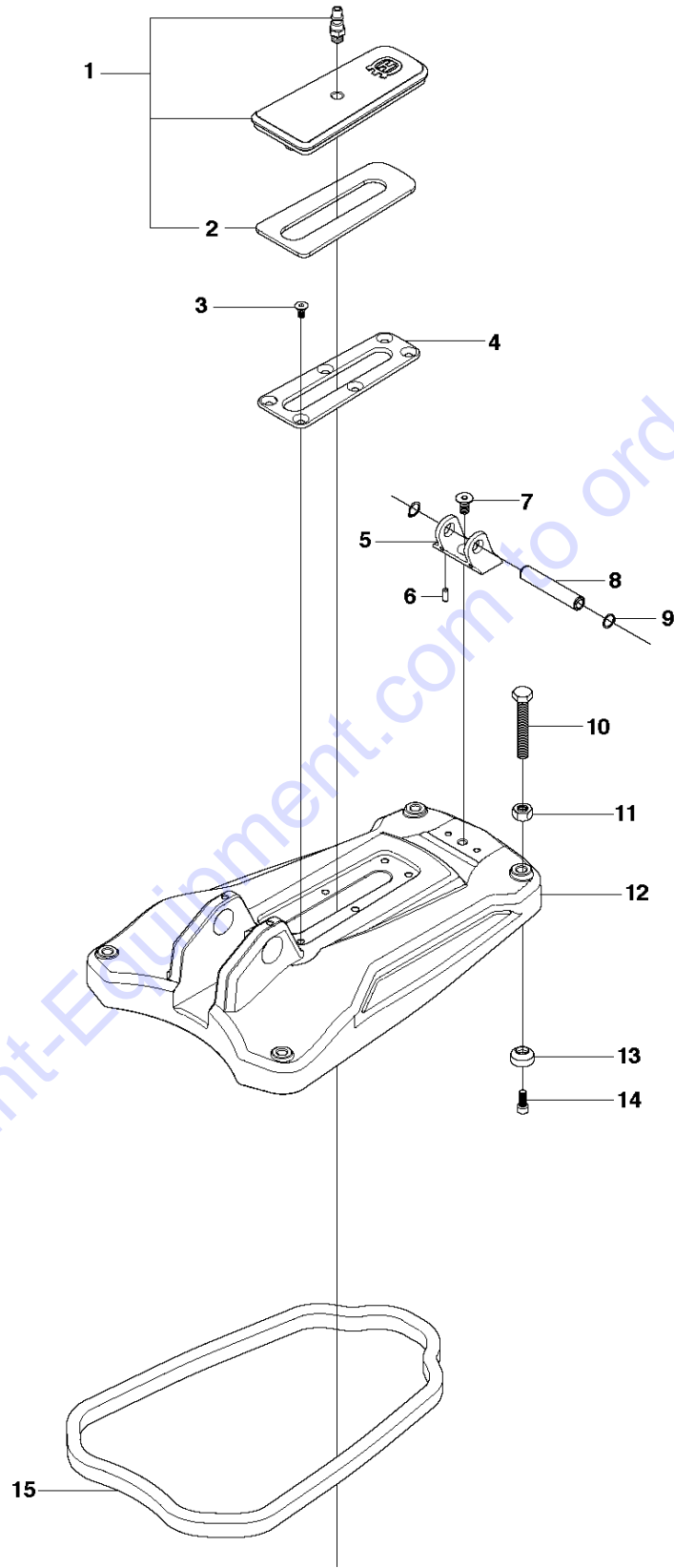
BACK SUPPORT

DS250 Single speed, 2013-01

Ref	Part No	Description	Remark	QTY KIT
1	725 52 89-01	SCREW IHSCM		2
2	541 40 48-99	BACK SUPPORT PLASTIC GUARD		1
3	541 40 49-09	HANDLE		1
4	541 40 48-83	DS 250 BACK SUPPORT WELDMENT		1
5	734 11 63-01	WASHER		2
6	725 54 51-01	SCREW IHSCM		2
7	541 40 40-98	DRILL OPERATING/INSTRUCTION DEC		1
8	735 31 15-00	CIRCLIP		2
9	541 40 50-88	DS 250 BACK SUPPORT PIVOT AXLE		1
10	734 11 72-01	WASHER		1
11	725 24 97-71	SCREW EHHM		1
12	541 40 50-67	COLUMN CLAMP BUSHING		1
13	735 31 17-01	CIRCLIP	Not for Single Speed	4
14	734 11 82-01	WASHER	Not for Single Speed	4
15	541 40 50-84	WHEEL	Not for Single Speed	2
16	541 40 50-87	WHEEL KIT FRAME WELDMENT	Not for Single Speed	1
17	725 54 49-01	SCREW IHSCM	Not for Single Speed	1

Go to Discount-Equipment.com to order your parts

A

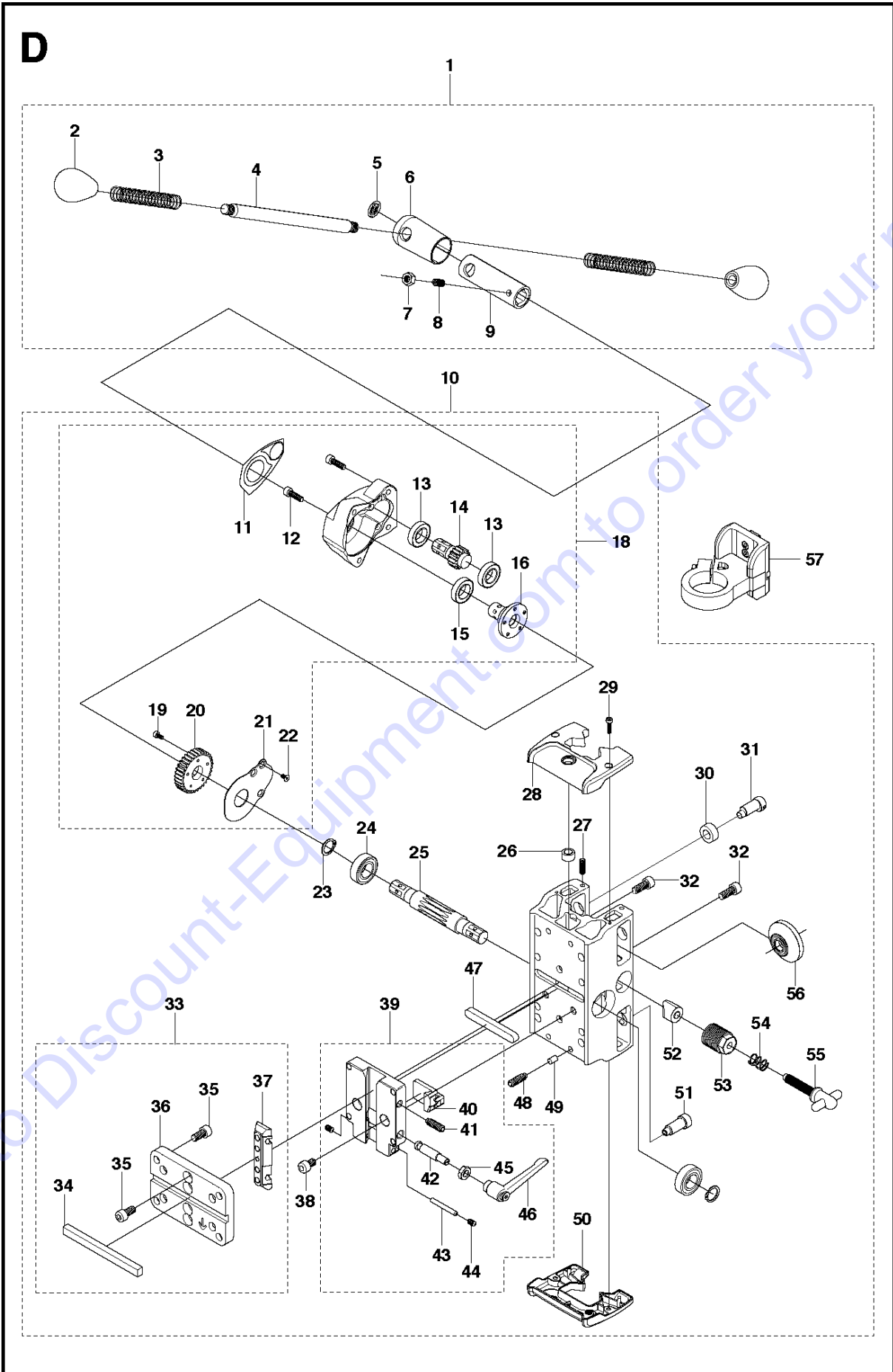


BASE PLATE

DS250 Single speed, 2013-01

Ref	Part No	Description	Remark	QTY	KIT
1	579 24 27-01	COVER KIT	Complete	1	
2	541 40 49-03	VACUUM GASKET / VACUUM CAP		1	1
3	725 63 66-01	SCREW IHCSFM		6	
4	541 40 48-92	SLOT GUARD		1	
5	541 40 48-87	BACK SUPPORT BASE MOUNT		1	
6	720 13 06-50	PARALLEL PIN		2	
7	725 64 49-01	SCREW IHCSFM		1	
8	541 40 50-88	DS 250 BACK SUPPORT PIVOT AXLE		1	
9	735 31 15-00	CIRCLIP		2	
10	541 40 40-80	LEVELING SCREW/		4	
11	731 23 20-01	HEXAGON NUT		4	
12	541 40 48-61	MACHINED COMBO BASE		1	
13	541 40 40-84	LEVELING SCREW CAP/		4	
14	725 53 68-01	SCREW IHSCM		4	
15	541 40 48-91	VACUUM GASKET / COMBO BASE		1	

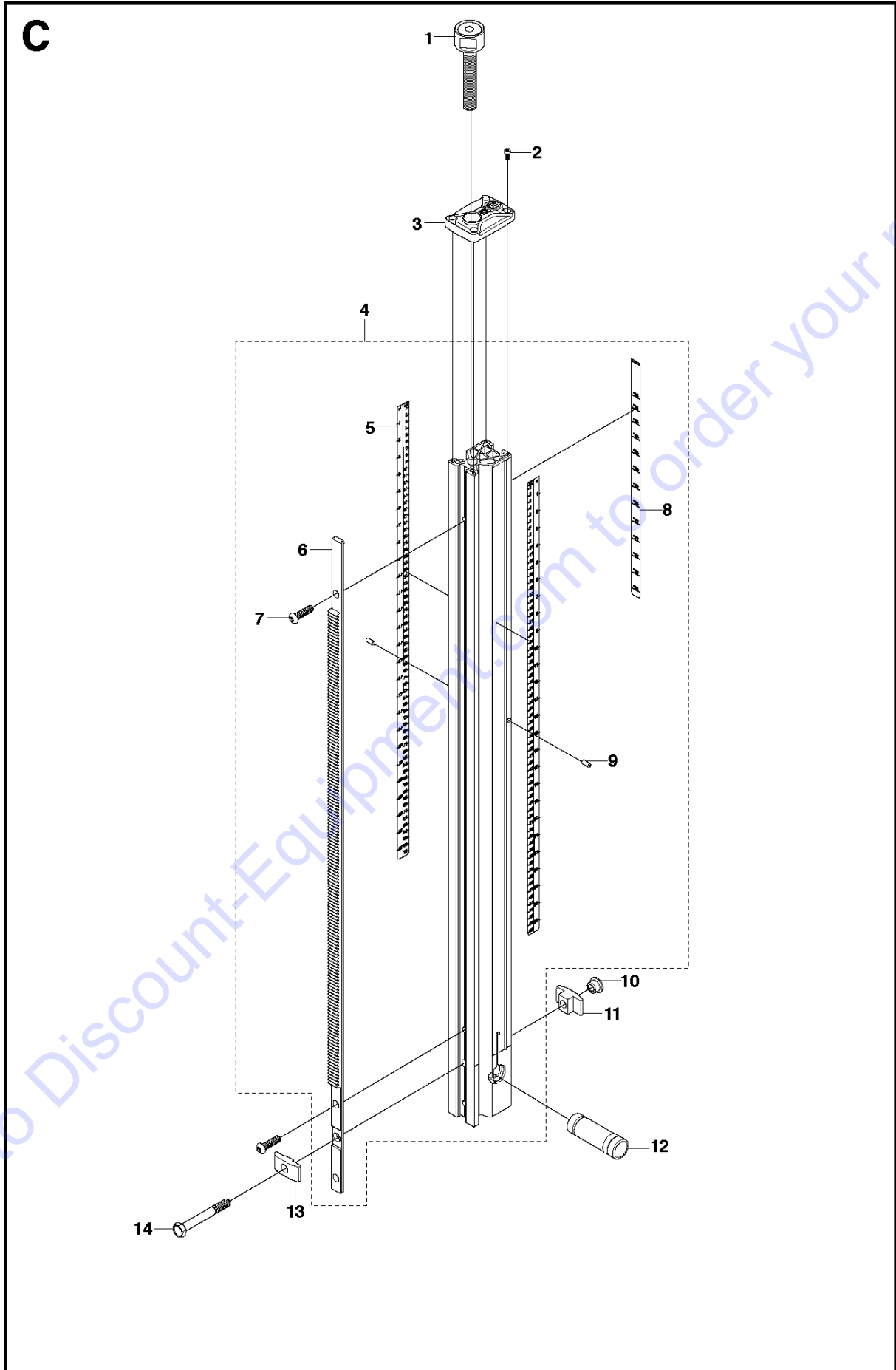
Go to Discount-Equipment.com to order your parts



CARRIAGE

DS250 Single speed, 2013-01

Ref	Part No	Description	Remark	QTY	KIT
1	541 40 41-01	TRAVEL LEVER ASSEMBLY/	Complete	1	
2	531 14 06-72	GRIP		2	1
3	541 40 51-63	FEEDING CRANC SPRING		2	1
4	541 40 49-05	FEEDING CRANK SHAFT		1	1
5	541 40 50-47	CAP DECAL		1	1
6	541 40 51-37	FEEDING HANDLE PLASTIC COVER		1	1
7	732 21 18-01	LOCK NUT		1	1
8	541 40 41-33	M8X1.25 BALL PLUNGER DS160C		1	1
9	541 40 40-44	TRAVEL LEVER DRIVE SHAFT/		1	1
10	579 24 30-01	KIT	Not for Single Speed	1	1
11	541 40 49-35	GEAR HOUSING DECAL		1	10,18
12	725 53 72-01	SCREW IHSCM		5	10,18
13	541 40 49-10	17MM I.D.X 30MMO.D.X 7MM WIDTH BEARING (6903-2NSE)		2	10,18
14	541 40 49-11	1.5 MODULE 22.5 P.D. 15 TOOTH 20 DEGREE INVOLUTE G		1	10,18
15	522 80 56-01	BALL BEARING		1	10,18
16	541 40 49-13	INPUT SHAFT EXTENSION PLATE		1	10,18
18	579 24 29-01	GEAR WHEEL KIT	Not for Single Speed	1	10
19	725 52 87-01	SCREW IHSCM		5	10,18
20	541 40 49-12	1.5 MODULE 49.5 P.D. 33 TOOTH 20 DEGREE INVOLUTE G		1	10,18
21	541 40 49-28	GEAR HOUSING COVER PLATE		1	10,18
22	725 62 87-01	SCREW IHCSFM		3	10,18
23	735 31 19-00	CIRCLIP		2	10
24	738 21 03-04	BALL BEARING		2	10
25	541 40 48-06	CARRIAGE DRIVE SHAFT		1	10
26	541 40 50-36	LEVEL BUBBLE		1	10
27	728 73 70-01	SCREW IHSETM		4	10
28	541 40 48-00	CARRIAGE PLASTIC GUARD - TOP		1	10
29	725 52 93-01	SCREW IHSCM		4	10
30	541 40 48-03	ECCENTRIC BUSHING		4	10
31	541 40 48-05	ECCENTRIC SHAFT		2	10
32	725 54 51-01	SCREW IHSCM		2	10
33	575 84 83-01	MOTOR BRACKET		1	10
34	541 40 51-43	10MM X 9MM RECTANGULAR KEY		1	10,33
35	725 54 49-01	SCREW IHSCM		16	10,33
36	575 84 82-01	PLATE		1	10,33
37	525 54 07-01	WEDGE		1	10,33
38	725 54 47-01	SCREW IHSCM		2	10
39	577 95 06-01	FIXATION ASSEMBLY		1	10
40	577 83 62-01	LOCK		1	10,39
41	728 74 55-06	SCREW IHSETM		1	10,39
42	577 83 61-01	BOLT		1	10,39
43	510 20 27-01	DOWEL PIN		1	10,39
44	728 83 64-01	SCREW IHSETM		2	10,39
45	731 43 18-01	HEXAGON THIN NUT		1	10,39
46	543 85 02-16	INDEXABLE HANDLE, NUT M8		1	10,39
47	541 40 40-31	KEY/ DS160C		1	10
48	728 64 53-01	SCREW IHSETM		4	10
49	541 40 40-32	GUIDE CYLINDER/		4	10
50	541 40 48-62	CARRIAGE PLASTIC GUARD - BOTTOM		1	10
51	541 40 48-04	STRAIGHT SHAFT		2	10
52	579 27 01-01	KIT		1	10
53	541 40 48-64	FRICTION BRAKE CUP		1	10
54	541 40 50-43	SPRING		1	10
55	541 40 48-16	BRAKE KNOB		1	10
56	541 40 48-96	ROLLER ASSEMBLY		4	10
57	581 25 71-01	ADAPTER	Only for Single Speed	1	



COLLUMN ASSY

DS250 Single speed, 2013-01

Ref	Part No	Description	Remark	QTY	KIT
1	541 40 48-09	JACKING SCREW ASSEMBLY		1	
2	725 52 89-01	SCREW IHSCM		4	
3	541 40 48-68	COULMN PLASTIC GUARD		1	
4	579 24 28-01	STAND KIT		1	
5	541 40 40-54	DEPTH MEASUREMENT DECAL/		2	4
6	541 40 48-78	DS 250 RACK		1	4
7	541 40 48-15	SCREW IHPANM		3	4
8	541 40 48-82	ANGLE MEASUREMENT DECAL		1	4
9	720 13 06-50	PARALLEL PIN		2	4
10	541 40 50-67	COLUMN CLAMP BUSHING		1	
11	541 40 48-70	COLUMN CLAMP - BACK		1	
12	541 40 48-81	COLUMN PIVOT AXLE		1	
13	541 40 48-69	COLUMN CLAMP - FRONT		1	
14	725 25 07-51	SCREW EHHM		1	

Go to Discount-Equipment.com to order your parts

PARTS FINDER

**Search Website
by Part Number**



**Search Manual
Library For Parts
Manual & Lookup Part
Numbers – Purchase
or Request Quote**

Search Manuals

Enter your information to help us find the right parts manual for your machine.

* Brand:

* Model:

* Serial:

* Part Number:

SEARCH

**Can't Find Part or
Manual? Request Help
by Manufacturer,
Model & Description**

Parts Order Form

Please fill in the following information to help us find the right part for your machine.

Manufacturer:	<input type="text"/>
Model:	<input type="text"/>
Description:	<input type="text"/>
Part Number:	<input type="text"/>
Quantity:	<input type="text"/>
Notes:	<input type="text"/>

Discount-Equipment.com is your online resource for quality parts & equipment.

Florida: **561-964-4949** Outside Florida TOLL FREE: **877-690-3101**

Need parts?

Click on this link: <http://www.discount-equipment.com/category/5443-parts/> and choose one of the options to help get the right parts and equipment you are looking for. Please have the machine model and serial number available in order to help us get you the correct parts. If you don't find the part on the website or on one of the online manuals, please fill out the request form and one of our experienced staff members will get back to you with a quote for the right part that your machine needs.

We sell worldwide for the brands: Genie, Terex, JLG, MultiQuip, Mikasa, Essick, Whiteman, Mayco, Toro Stone, Diamond Products, Generac Magnum, Airman, Haulotte, Barreto, Power Blanket, Nifty Lift, Atlas Copco, Chicago Pneumatic, Allmand, Miller Curber, Skyjack, Lull, Skytrak, Tsurumi, Husquvarna Target, Stow, Wacker, Sakai, Mi-T-M, Sullair, Basic, Dynapac, MBW, Weber, Bartell, Bennar Newman, Haulotte, Ditch Runner, Menegotti, Morrison, Contec, Buddy, Crown, Edco, Wyco, Bomag, Laymor, EZ Trench, Bil-Jax, F.S. Curtis, Gehl Pavers, Heli, Honda, ICS/PowerGrit, IHI, Partner, Imer, Clipper, MMD, Koshin, Rice, CH&E, General Equipment, Amida, Coleman, NAC, Gradall, Square Shooter, Kent, Stanley, Tamco, Toku, Hatz, Kohler, Robin, Wisconsin, Northrock, Oztec, Toker TK, Rol-Air, APT, Wylie, Ingersoll Rand / Doosan, Innovatech, Con X, Ammann, Mecalac, Makinex, Smith Surface Prep, Small Line, Wanco, Yanmar