



SPARE PARTS LIST

SURFACE PREPARATION EQUIPMENT

PG 690 Propane, 2020-06

Go to Discount-Equipment.com to order your parts



PARTS FINDER

**Search Website
by Part Number**



**Search Manual
Library For Parts
Manual & Lookup Part
Numbers – Purchase
or Request Quote**

Search Manuals

Enter your manual number or description to find the manual you need.

* Brand:

* Model:

* Serial:

Serial:

Part Number:

Clutch:

**Can't Find Part or
Manual? Request Help
by Manufacturer,
Model & Description**

Parts Order Form

Please fill in the following information:

Manufacturer:	
Model:	
Serial:	
Part Number:	
Quantity:	
Description:	
Manufacturer's Part Number:	
Part Name:	
Part Description:	
Part Location:	
Part Condition:	
Part Material:	
Part Color:	
Part Size:	
Part Weight:	
Part Dimensions:	
Part Notes:	

Discount-Equipment.com is your online resource for quality parts & equipment.

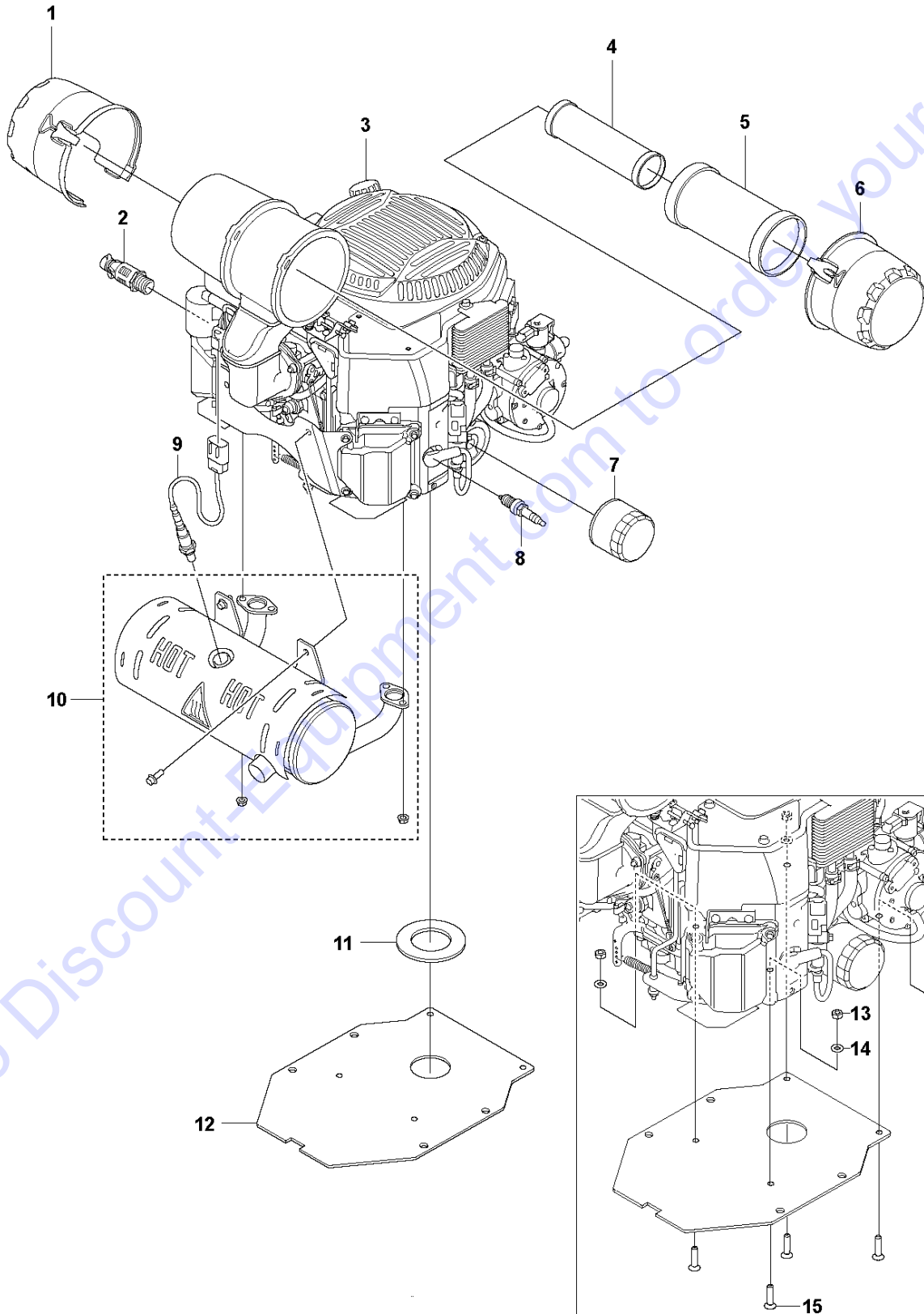
Florida: **561-964-4949** Outside Florida TOLL FREE: **877-690-3101**

Need parts?

Click on this link: <http://www.discount-equipment.com/category/5443-parts/> and choose one of the options to help get the right parts and equipment you are looking for. Please have the machine model and serial number available in order to help us get you the correct parts. If you don't find the part on the website or on one of the online manuals, please fill out the request form and one of our experienced staff members will get back to you with a quote for the right part that your machine needs.

We sell worldwide for the brands: Genie, Terex, JLG, MultiQuip, Mikasa, Essick, Whiteman, Mayco, Toro Stone, Diamond Products, Generac Magnum, Airman, Haulotte, Barreto, Power Blanket, Nifty Lift, Atlas Copco, Chicago Pneumatic, Allmand, Miller Curber, Skyjack, Lull, Skytrak, Tsurumi, Husquvarna Target, Stow, Wacker, Sakai, Mi-T-M, Sullair, Basic, Dynapac, MBW, Weber, Bartell, Bennar Newman, Haulotte, Ditch Runner, Menegotti, Morrison, Contec, Buddy, Crown, Edco, Wyco, Bomag, Laymor, EZ Trench, Bil-Jax, F.S. Curtis, Gehl Pavers, Heli, Honda, ICS/PowerGrit, IHI, Partner, Imer, Clipper, MMD, Koshin, Rice, CH&E, General Equipment, Amida, Coleman, NAC, Gradall, Square Shooter, Kent, Stanley, Tamco, Toku, Hatz, Kohler, Robin, Wisconsin, Northrock, Oztec, Toker TK, Rol-Air, APT, Wylie, Ingersoll Rand / Doosan, Innovatech, Con X, Ammann, Mecalac, Makinex, Smith Surface Prep, Small Line, Wanco, Yanmar

A PG 690 PROPANE
ENGINE & GAS TANK



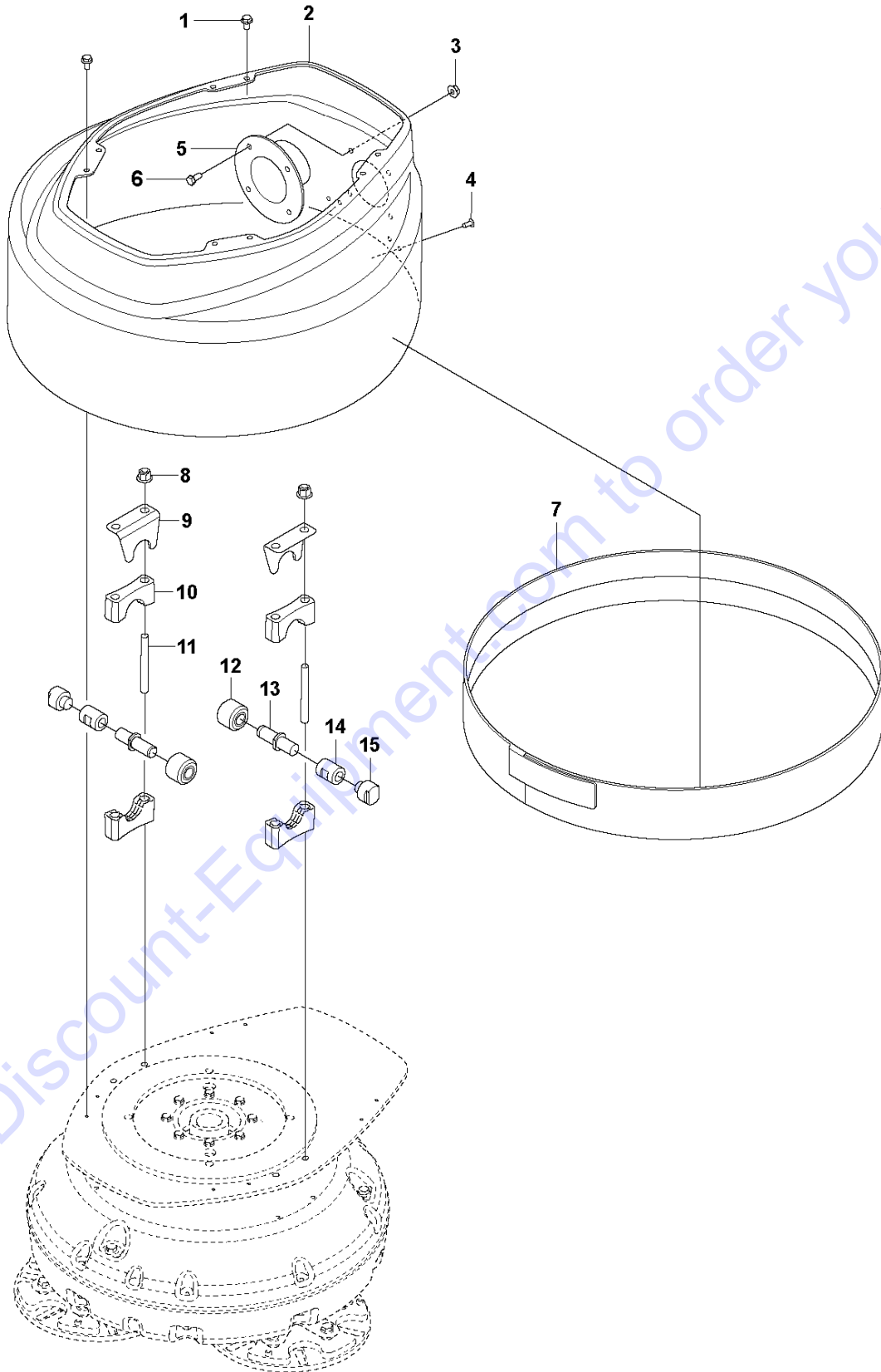
ENGINE

PG 690 Propane, 2020-06

Ref	Part No	Description	Remark	QTY KIT
1	599 76 72-01	COVER		1
2	599 76 73-01	OIL PLUG		1
3	599 76 78-01	OIL PLUG		1
4	599 76 79-01	AIR FILTER	Air filter inner	1
5	599 76 80-01	AIR FILTER	Air filter outer	1
6	599 76 81-01	COVER		1
7	599 76 82-01	OIL FILTER		1
8	599 76 83-01	SPARK PLUG		2
9	599 76 84-01	SENSOR		1
10	599 76 85-01	MUFFLER		1
11	596 81 88-01	SEALING	Gearbox	1
12	597 74 55-01	GUIDE PLATE	Plate	1
13	522 91 94-01	LOCK NUT	M8	4
14	734 11 63-01	WASHER	M8	4
15	725 64 59-01	SCREW IHCSFM	M8x40	4

Go to Discount-Equipment.com to order your parts

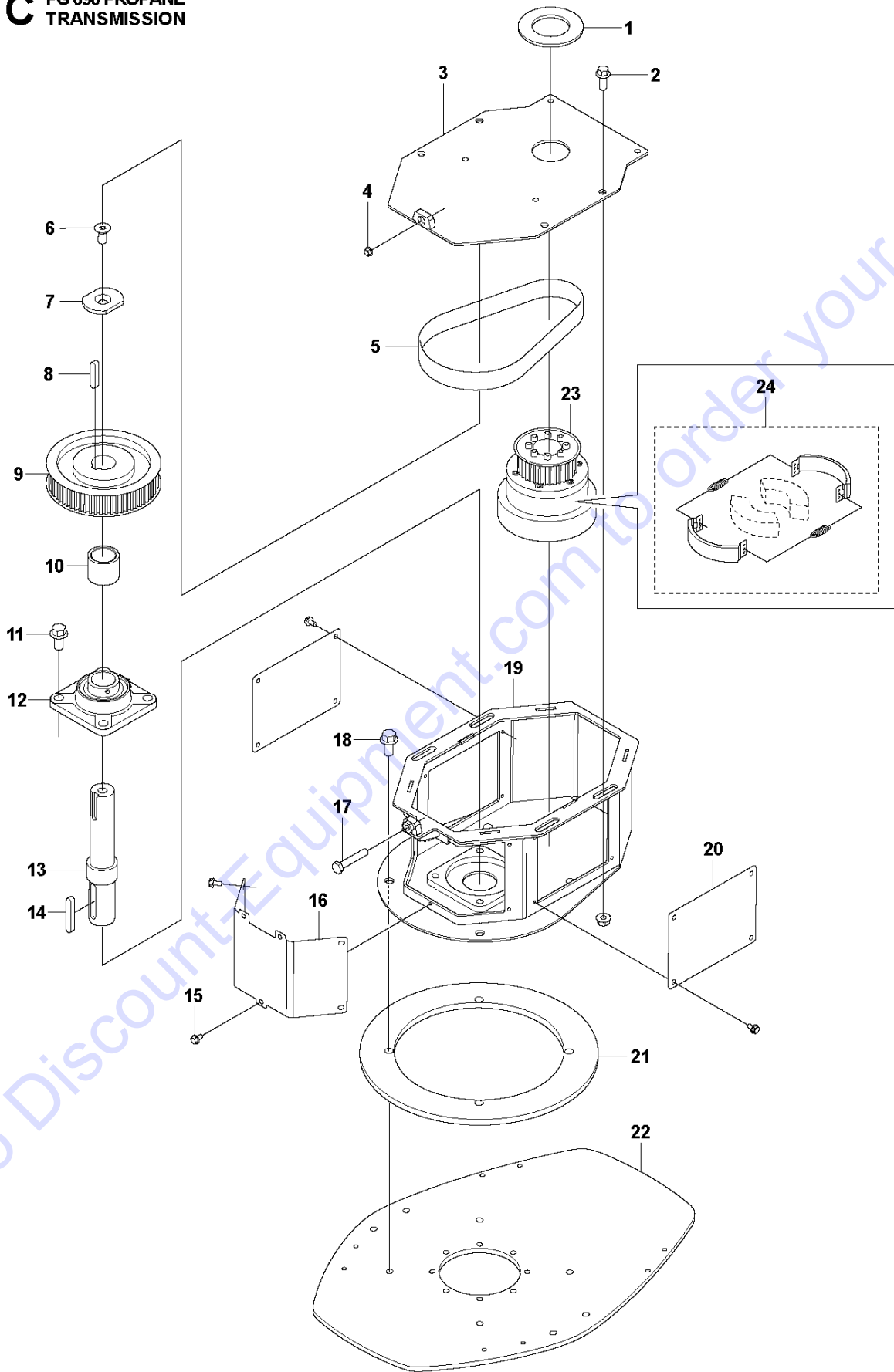
B PG 690 PROPANE
GRINDING HEAD, OUTER



Ref	Part No	Description	Remark	QTY KIT
1	506 57 01-03	SCREW EHHFM	M8x16	8
2	597 47 38-01	DUST COVER	Shroud 690	1
3	576 64 57-03	NUT FLANGE	M6	4
4	593 50 08-01	RIVET		4
5	599 31 60-01	HOSE CONNECTOR		1
6	531 11 94-26	SCREW	M6x16	4
7	598 03 43-01	RUBBER SKIRT		1
8	576 64 57-06	NUT FLANGE	M12	4
9	598 77 80-01	STOP	Suspension Bushing	2
10	593 54 20-01	CLAMP	Suspension	4
11	597 80 33-01	STUD	M12x110	4
12	593 53 90-01	SUSPENSION	Suspension rubber	2
13	593 53 83-01	AXLE		2
14	593 53 84-01	NUT		2
15	598 39 97-01	SUPPORT	Weight	2

Go to Discount-Equipment.com to order your parts

C PG 690 PROPANE
TRANSMISSION



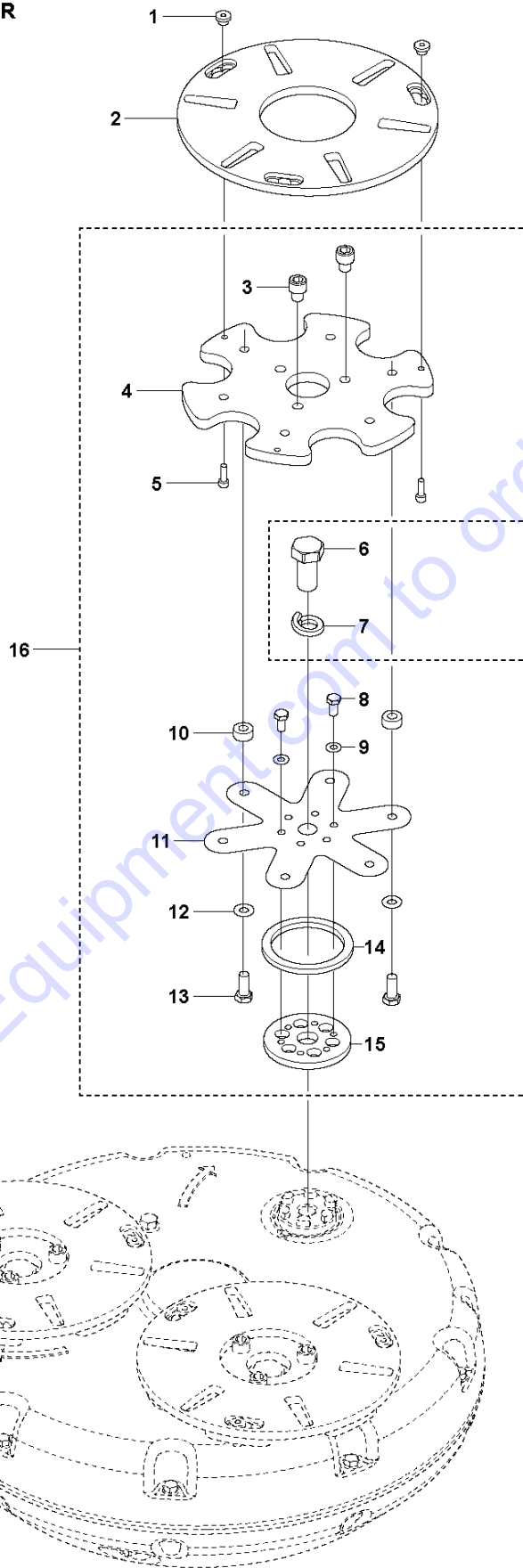
TRANSMISSION

PG 690 Propane, 2020-06

Ref	Part No	Description	Remark	QTY KIT
1	596 81 88-01	SEALING	Gearbox	1
2	725 24 93-61	SCREW EHHFT	M10x25	4
3	597 74 55-01	GUIDE PLATE	Motor guide	1
4	731 23 20-01	HEXAGON NUT	M10	1
5	597 68 88-01	BELT		1
6	522 62 81-01	CRATE	M12x25	1
7	597 74 59-01	PLATE	Locking washer	1
8	597 93 27-01	PARALLEL KEY	10x8x45	1
9	597 74 64-01	SPROCKET	Belt wheel	1
10	597 74 63-01	SPACER RING		1
11	585 23 59-01	SCREW EHHFM	M12x25	4
12	597 79 53-01	BEARING UNIT		1
13	597 74 56-01	DRIVE SHAFT	Drive shaft	1
14	597 93 25-01	PARALLEL KEY	10x8x60	1
15	535 47 52-12	SCREW EHHFM	M6x12	15
16	597 74 62-01	COVER		1
17	725 25 02-71	SCREW EHHM	M10x55	1
18	585 23 59-01	SCREW EHHFM	M12x25	2
19	597 74 54-01	GEARBOX	Weld	1
20	597 74 61-01	COVER	Side cover	2
21	597 74 52-01	SPACER		1
22	598 39 01-01	PLATE	Motor base 690P	1
23	599 50 11-01	CENTRIFUGAL CLUTCH	Centrifugal clutch	1
24	599 69 37-01	CLUTCH SHOE		1

Go to Discount-Equipment.com to order your parts

D PG 690 PROPANE
GRINDING HEAD, LOWER



Go to Discount-Equipment.com to order your parts

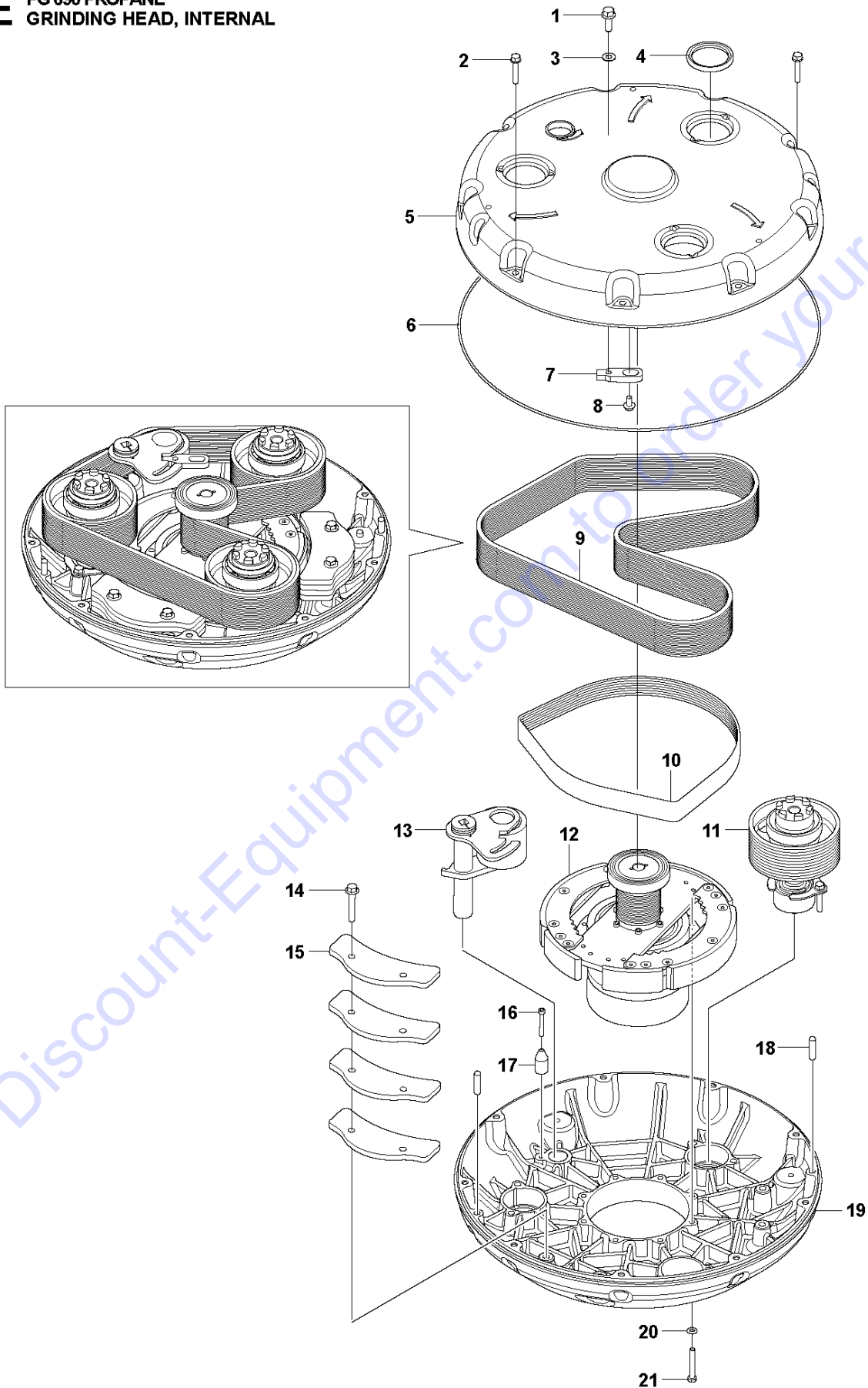
GRINDING HEAD, LOWER

PG 690 Propane, 2020-06

Ref	Part No	Description	Remark	QTY KIT	
1	587 45 14-01	LOCK	M6	3	
2	502 53 22-01	HOLDER		1	
3	597 16 23-01	SCREW	M12x12	3	16
4	502 53 40-02	PLATE	Head - Spring steel system	1	16
5	725 53 70-51	SCREW IHSCM	M6x20	3	16
6	504 74 89-01	SCREW EHHM	M20x40	1	
7	504 74 96-03	LOCKWASHER	M20	1	
8	725 24 49-71	SCREW EHHM	M8x16	6	16
9	734 11 63-01	WASHER	8,4x16x1,6	6	16
10	502 53 40-14	SPACER		6	16
11	502 53 42-01	SPRING	Spring steel system	1	16
12	734 11 72-01	WASHER	10,5x20x2	6	16
13	725 24 93-76	SCREW EHHM	M10x25	6	16
14	502 53 43-01	RING		1	16
15	502 53 40-06	HUB	Drive spring steel system	1	16
16	502 53 40-01	SPRING		1	

Go to Discount-Equipment.com to order your parts

E PG 690 PROPANE
GRINDING HEAD, INTERNAL



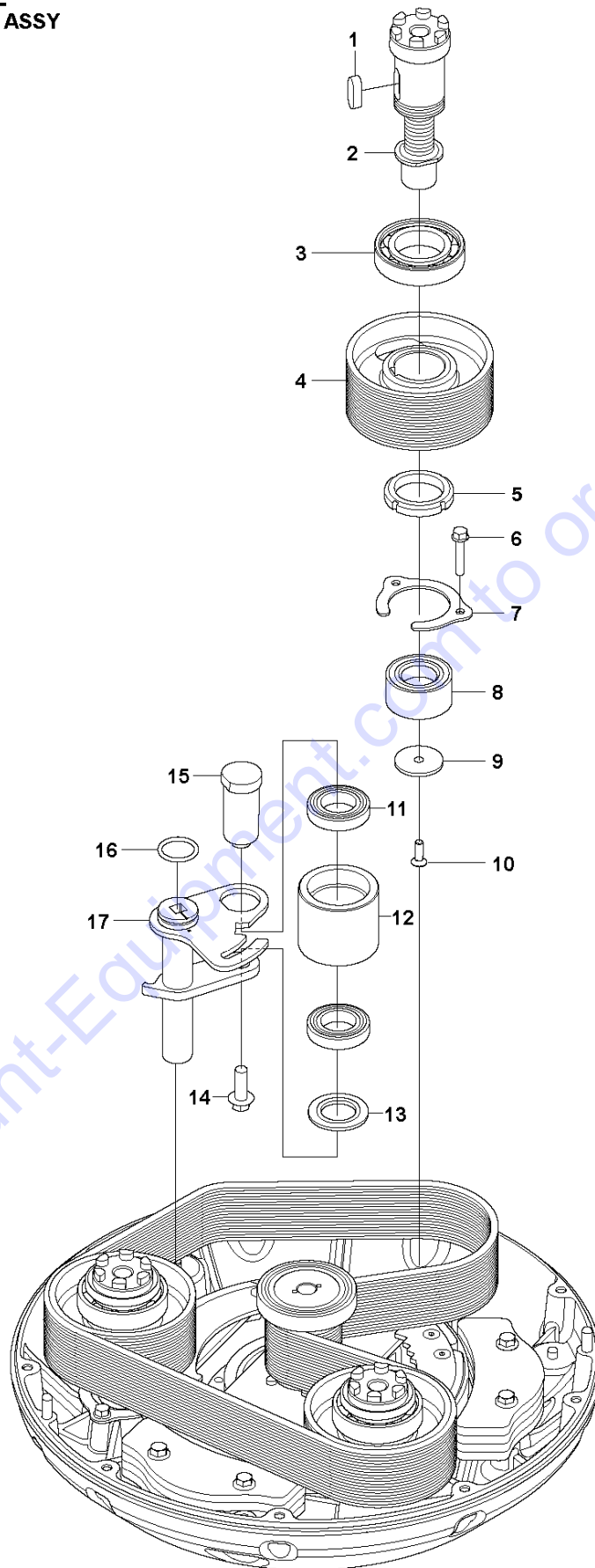
GRINDING HEAD, INTERNAL

PG 690 Propane, 2020-06

Ref	Part No	Description	Remark	QTY KIT
1	593 96 41-01	SCREW	M10x30	1
2	593 51 37-01	SCREW	M8x45	9
3	593 96 42-01	WASHER	10x20x1	1
4	593 48 72-01	RADIAL SEAL	Shaft	3
5	595 76 11-01	HOUSING	Bottom	1
6	593 48 71-01	O-RING	Housing	1
7	593 53 81-01	TENSIONER	Locking plate	1
8	593 96 40-01	SCREW	M8x16	1
9	593 49 05-01	BELT		1
10	593 48 78-01	O-RING		1
11	598 47 55-01	SHAFT ASSY		1
12	597 79 67-01	HUB ASSY	Center	1
13	593 54 37-01	BELT TENSIONER		1
14	595 68 15-01	SCREW	M10x60	2
15	595 71 40-01	COUNTERWEIGHT		4
16	593 51 04-01	SCREW	M6x45	1
17	595 71 39-01	TENSIONER		2
18	593 51 41-01	PIN	10x40 H8	3
19	734 11 63-01	WASHER	Top	1
20	593 50 04-01	WASHER	M8	8
21	598 74 96-01	SCREW	M8x110	8

Go to Discount-Equipment.com to order your parts

F PG 690 PROPANE
IDLER PULLEY ASSY



Go to Discount-Equipment.com to order your parts

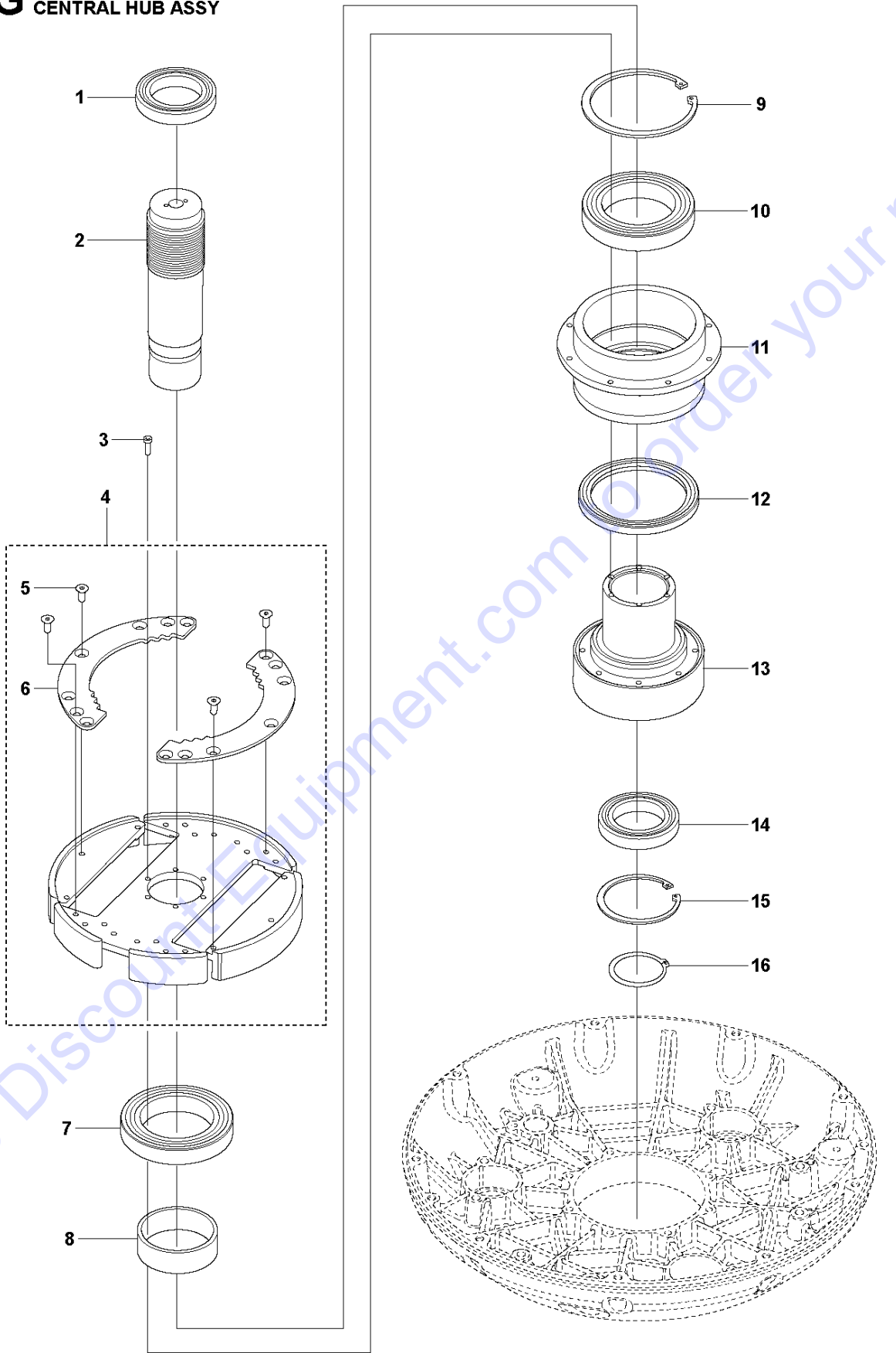
IDLER PULLEY ASSY

PG 690 Propane, 2020-06

Ref	Part No	Description	Remark	QTY KIT
1	593 48 76-01	KEY	14x9x36	1
2	598 02 74-01	SHAFT		1
3	593 49 27-01	BALL BEARING		1
4	595 75 75-01	PULLEY	Ø150	1
5	593 48 79-01	NUT		1
6	585 17 39-01	SCREW EHHFM	M8x45	2
7	595 71 00-01	WASHER	Grinding Shaft	1
8	593 48 77-01	BEARING		1
9	595 70 99-01	WASHER		1
10	725 64 53-01	SCREW IHCSFM	M8x25	1
11	593 49 28-01	BALL BEARING		2
12	595 70 98-01	PULLEY	Idler Ø80	1
13	595 75 73-01	SPACER	Belt tensioner	1
14	595 68 01-01	SCREW	M12x35	1
15	595 76 14-01	AXLE	Idler	1
16	593 48 78-01	O-RING		1
17	595 76 06-01	TENSIONER	Weldment	1

Go to Discount-Equipment.com to order your parts

G PG 690 PROPANE
CENTRAL HUB ASSY



CENTER HUB ASSY

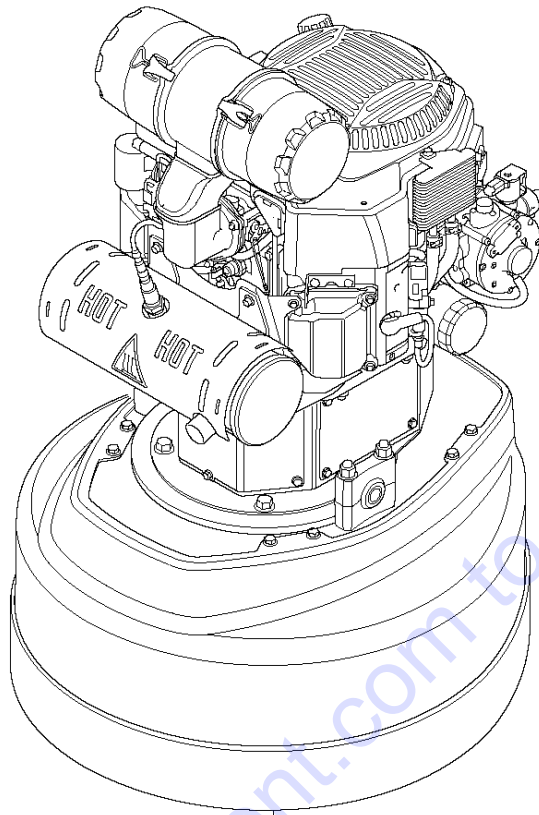
PG 690 Propane, 2020-06

Ref	Part No	Description	Remark	QTY	KIT
1	593 49 26-01	BALL BEARING		1	
2	595 76 01-01	PULLEY	Center Ø75	1	
3	593 51 42-01	SCREW	M6x20	6	
4	595 75 72-01	PULLEY		1	
5	593 50 49-01	SCREW	M8x20	14	4
6	593 51 42-01	SCREW	Pulley 6 lock plate	2	4
7	593 62 99-01	BALL BEARING		1	
8	595 71 31-01	SPACER	Ring	1	
9	593 62 99-01	BALL BEARING		1	
10	595 67 98-01	CIRCLIP	Internal 140x4	1	
11	595 71 30-01	HUB	Center hub outer	1	
12	593 54 29-01	HUB	Shaft	1	
13	593 54 29-01	HUB	Center	1	
14	593 49 26-01	BALL BEARING		1	
15	593 50 30-01	CIRCLIP	Internal	1	
16	593 50 29-01	CIRCLIP	External	1	

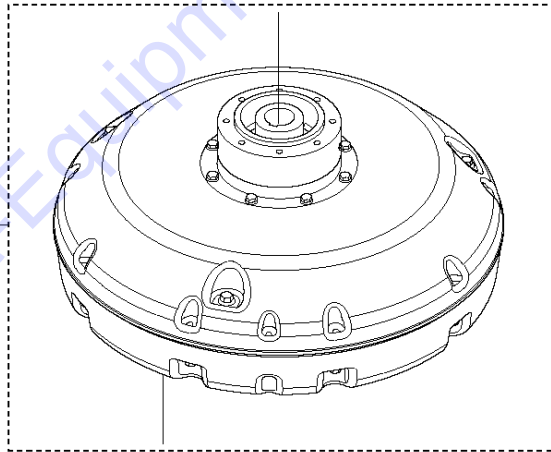
Go to Discount-Equipment.com to order your parts

H PG 690 PROPANE
GRINDING HEAD

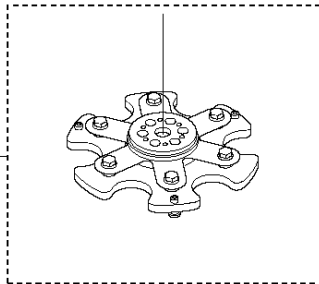
1



2



3

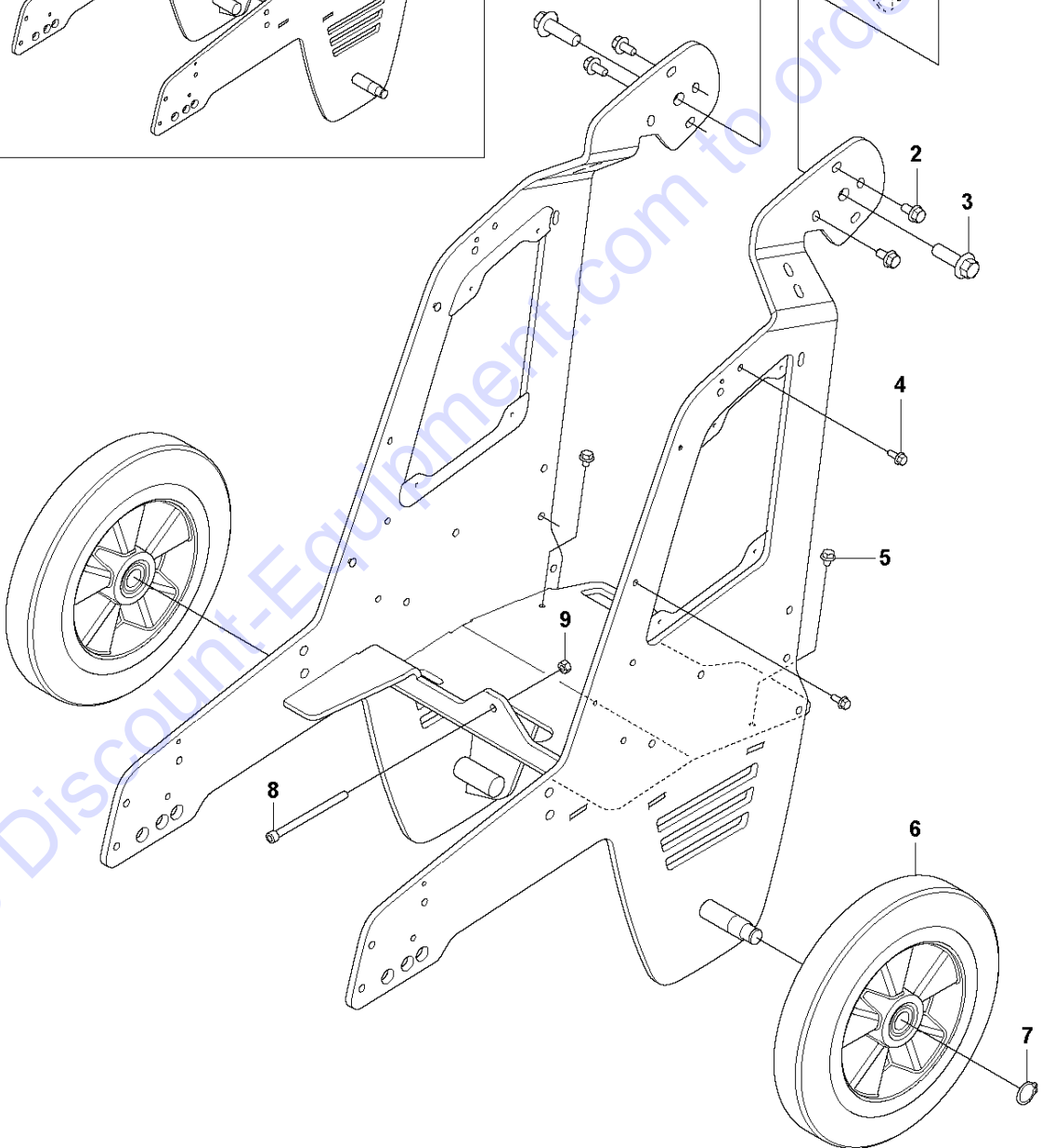
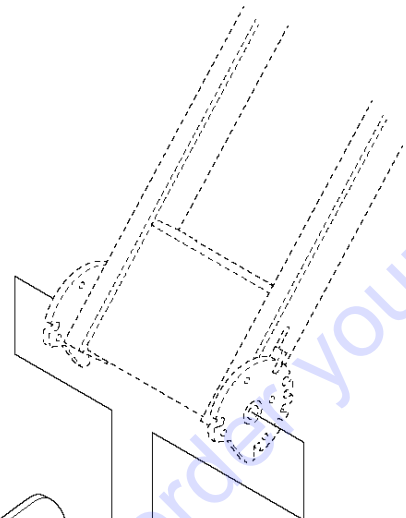
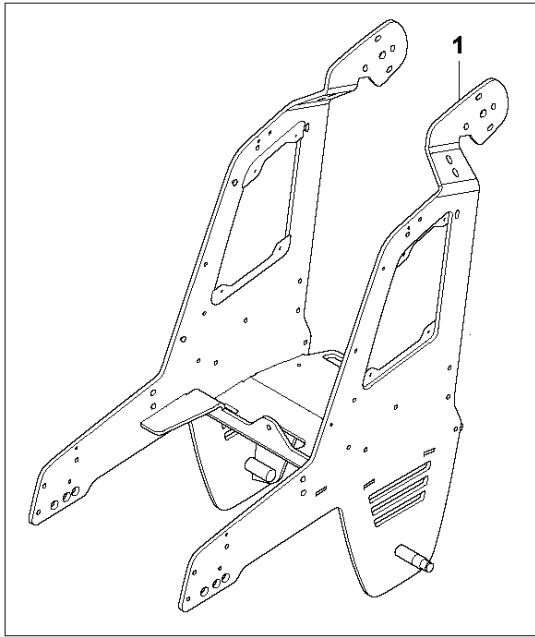


Go to Discount-Equipment.com to order your parts

Ref	Part No	Description	Remark	QTY KIT	
1	597 74 25-01	GRINDING HEAD		1	
2	597 79 43-01	GRINDING HEAD	Bare	1	1
3	502 53 40-01	SPRING		3	1

Go to Discount-Equipment.com to order your parts

J PG 690 PROPANE
CHASSIS



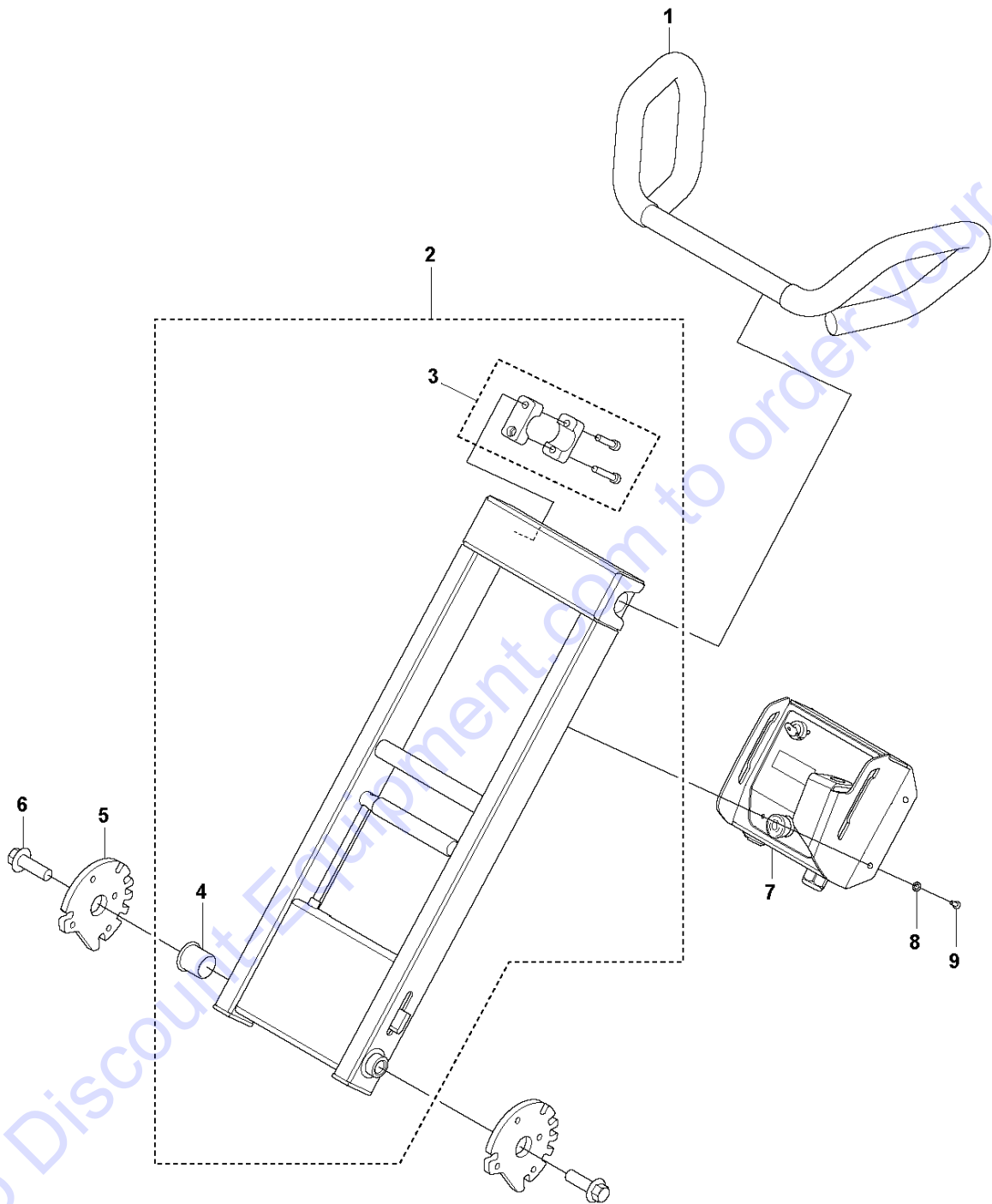
CHASSIS

PG 690 Propane, 2020-06

Ref	Part No	Description	Remark	QTY KIT
1	597 14 47-01	CHASSIS	Weld assy	1
2	585 97 52-01	SCREW EHHFM	M10x20	8
3	582 64 48-01	BOLT	M16x50	2
4	585 98 06-01	SCREW EHHFM	M6x16	2
5	597 72 09-01	SCREW	M8x10	2
6	597 34 58-01	WHEEL	Solid rubber, Ø350	2
7	735 31 26-01	CIRCLIP	25x1,2	2
8	598 74 94-01	SCREW	M12x160	1
9	731 23 22-55	HEXAGON NUT	M12	1

Go to Discount-Equipment.com to order your parts

K PG 690 PROPANE
FRAME, UPPER

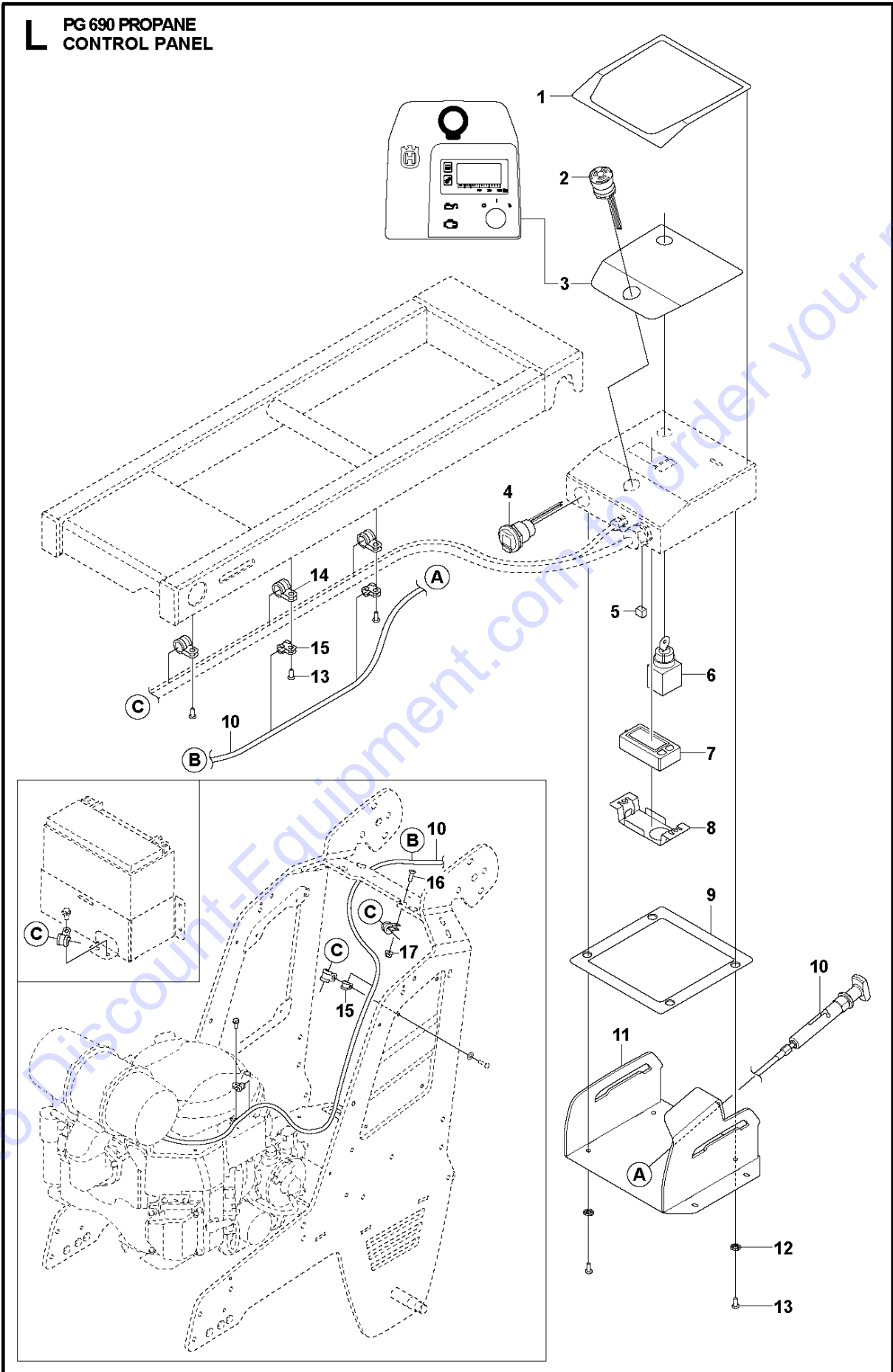


Go to Discount Equipment.com to order your parts

Ref	Part No	Description	Remark	QTY	KIT
1	597 18 39-01	HANDLE		1	
2	596 61 25-01	HANDLE ASSY	Weld assy	1	
3	599 65 64-01	CLAMP		2	2
4	597 79 70-01	BUSHING		2	2
5	596 61 24-01	LOCKING PLATE		2	
6	582 64 48-01	BOLT	M16x50	2	
7	598 47 81-01	CONTROL PANEL		1	
8	735 21 53-01	LOCKWASHER	6.4x11	4	
9	531 11 94-26	SCREW	M6x16	4	

Go to Discount-Equipment.com to order your parts

L PG 690 PROPANE
CONTROL PANEL



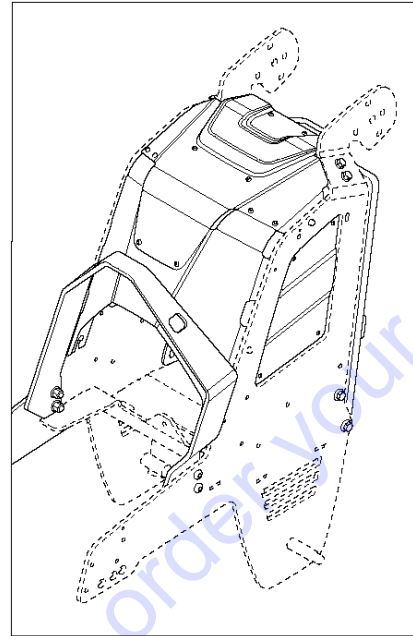
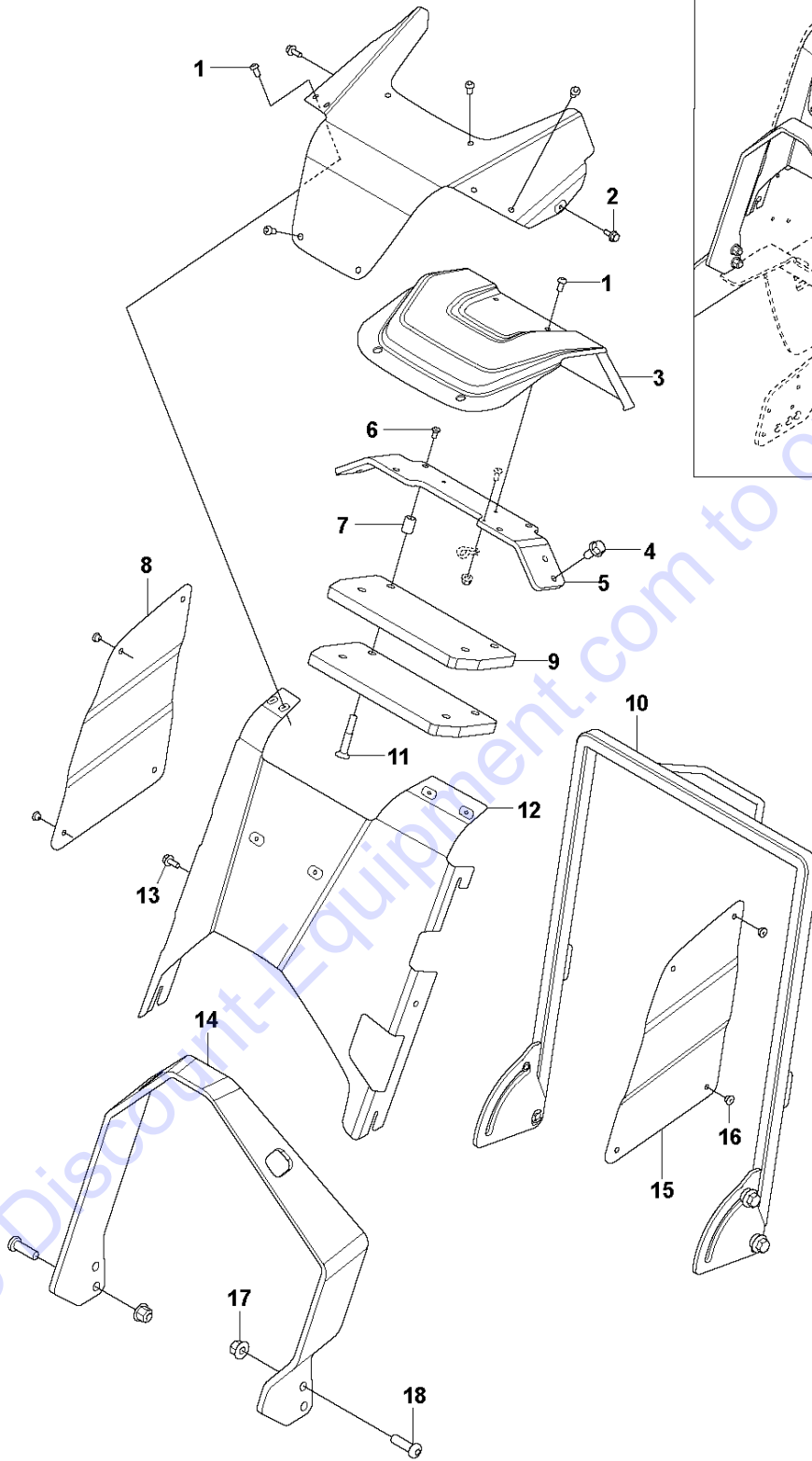
CONTROL PANEL

PG 690 Propane, 2020-06

Ref	Part No	Description	Remark	QTY KIT
1	597 65 41-01	PLATE		1
2	598 54 15-01	SWITCH		1
3	598 55 87-01	STICKER	Overlay propane	1
4	598 55 60-01	CONTACT	USB with cap	1
5	598 74 58-01	REGULATOR	DC/DC Converter	1
6	598 69 77-01	IGNITION SWITCH	Sierra MP 39760	1
7	598 46 72-01	BRACKET	RPM Display	1
8	598 01 18-01	BRACKET		1
9	598 42 96-01	GASKET	HMI Gasket	1
10	599 55 09-01	THROTTLE ASSY		1
11	598 01 18-01	BRACKET	HMI Bracket	1
12	735 21 46-01	LOCKWASHER	5,3x10x0,6	4
13	593 50 91-01	SCREW	M5x12	10
14	589 66 91-03	CLIP	M6/Ø14	5
15	589 66 91-04	CLIP	M6/Ø7.9	5
16	531 11 94-26	SCREW	M6x16	1
17	595 68 03-01	NUT	M6	6

Go to Discount-Equipment.com to order your parts

M PG 690 PROPANE
FRAME, LOWER



Go to Discount-Equipment.com to order your parts

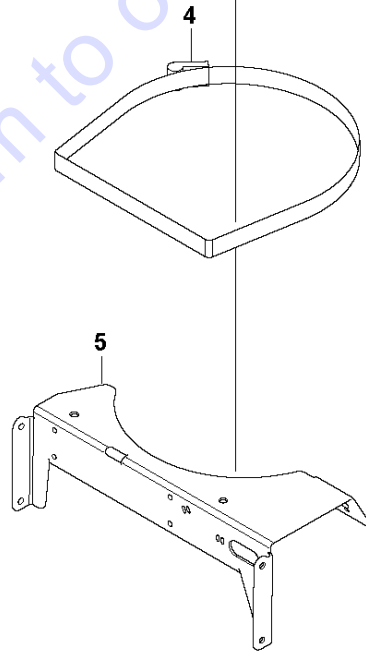
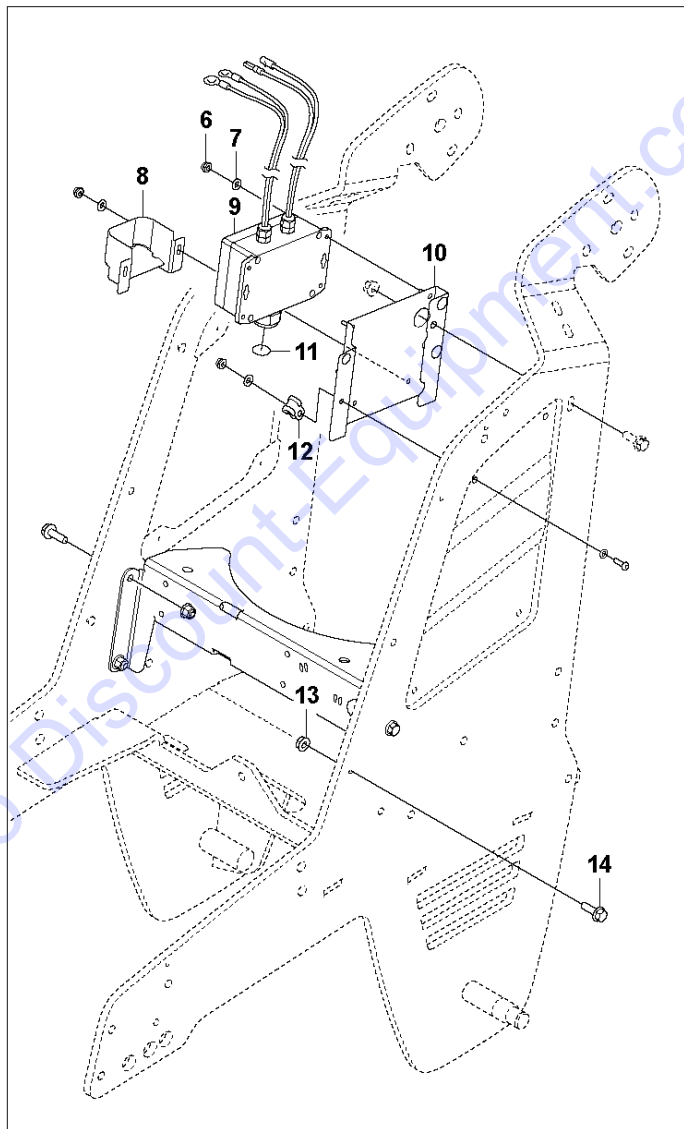
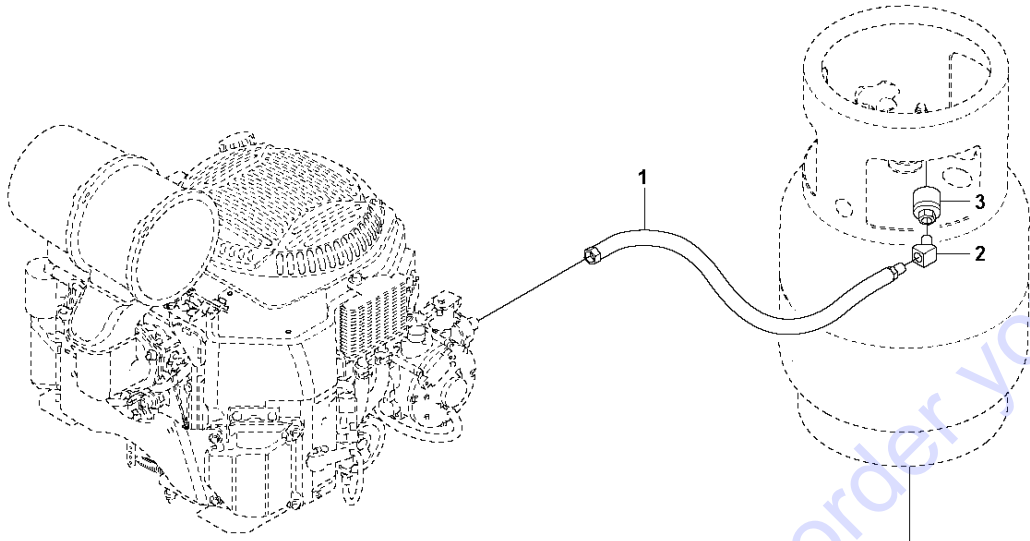
FRAME, LOWER

PG 690 Propane, 2020-06

Ref	Part No	Description	Remark	QTY KIT
1	531 11 94-26	SCREW	M6x16 Torx	10
2	585 98 06-01	SCREW EHHFM	M6x16 Flange	2
3	598 48 91-01	COVER		1
4	593 51 48-01	SCREW	M10x20	4
5	596 61 39-01	FRAME BRACKET		1
6	598 92 13-01	SCREW	M8x16	4
7	598 48 01-01	DISTANCE	20x15x12	4
8	597 24 97-01	COVER	Right	1
9	596 61 41-01	COUNTERWEIGHT		2
10	598 45 79-01	BAR	Assy	1
11	598 92 12-01	SCREW	M8x35	4
12	597 94 67-01	FRONT COVER		1
13	585 98 06-01	SCREW EHHFM	M6x16 Flange	4
14	597 39 89-01	LIFTING ARM		1
15	597 24 97-02	COVER	Left	1
16	593 50 08-01	RIVET	Blind rivet 4,8x12	8
17	576 64 57-06	NUT FLANGE	M12 Nylon Lock Nut	4
18	598 74 93-01	SCREW	M12x40 10.9	4

Go to Discount-Equipment.com to order your parts

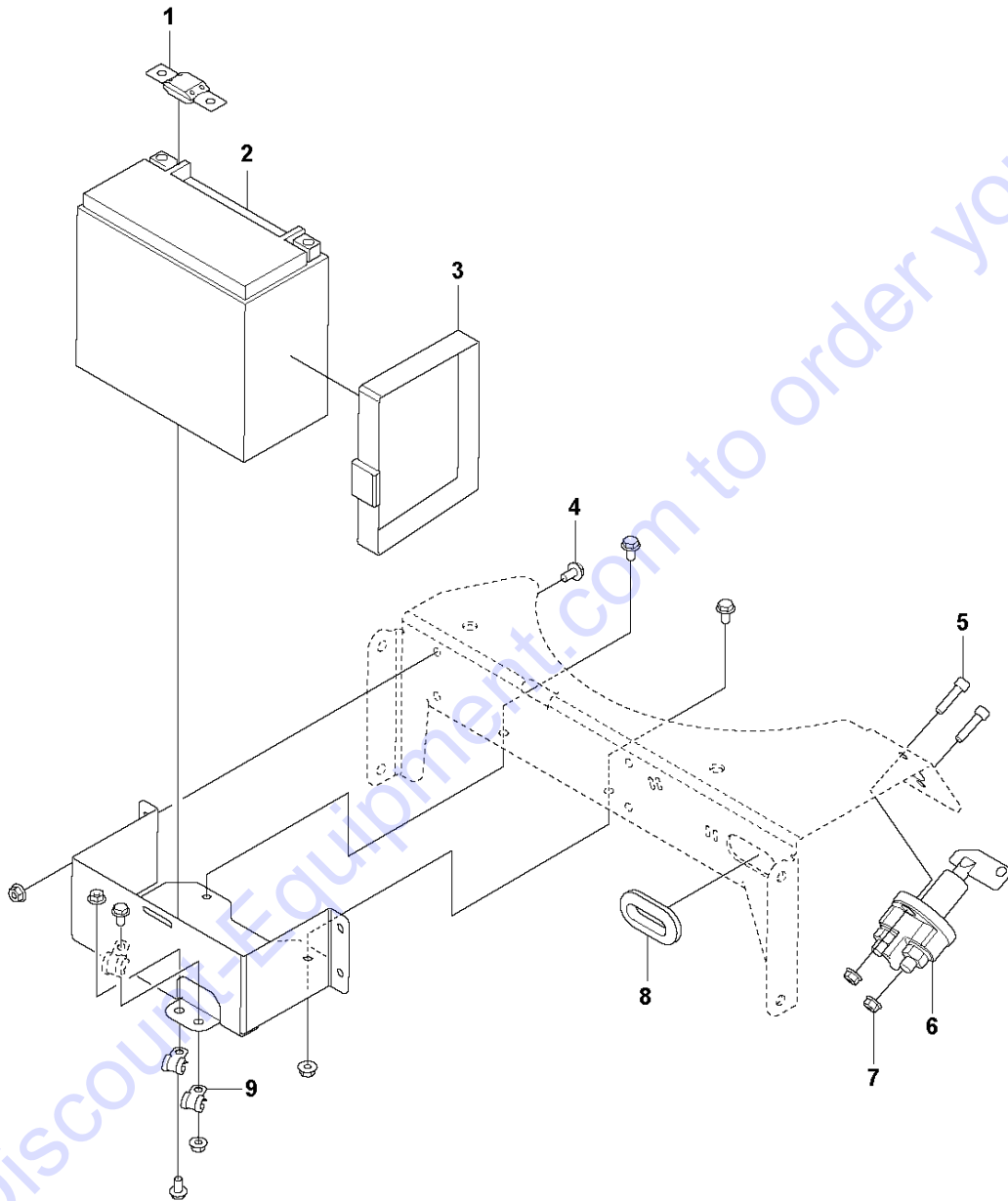
N PG 690 PROPANE
GAS TANK HOLDER & CO SENSOR



Ref	Part No	Description	Remark	QTY KIT
1	597 69 00-01	HOSE	Propane hose	1
2	525 55 04-01	FITTING	ELBO 45	1
3	593 03 37-01	COUPLER	to Propane Tank	1
4	597 97 28-01	STRAP	Strap with latch	1
5	597 96 36-01	BRACKET	Tank bracket	1
6	595 68 03-01	NUT	M6	6
7	735 21 53-01	LOCKWASHER	6.4x11	6
8	599 53 17-01	BRACKET	Sensor protection	1
9	599 47 15-01	SENSOR ASSY	CO sensor assy	1
10	599 53 21-01	BRACKET	Sensor bracket	1
11	599 93 03-01	FILTER	Sensor filter	1
12	589 66 91-03	CLIP	M6/Ø14	1
13	576 64 57-04	NUT FLANGE	M8	2
14	506 57 01-05	SCREW EHHFM	M8x25	2

Go to Discount-Equipment.com to order your parts

P PG 690 PROPANE
BATTERY & MAIN SWITCH



BATTERY & MAIN SWITCH

PG 690 Propane, 2020-06

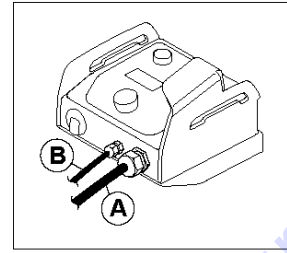
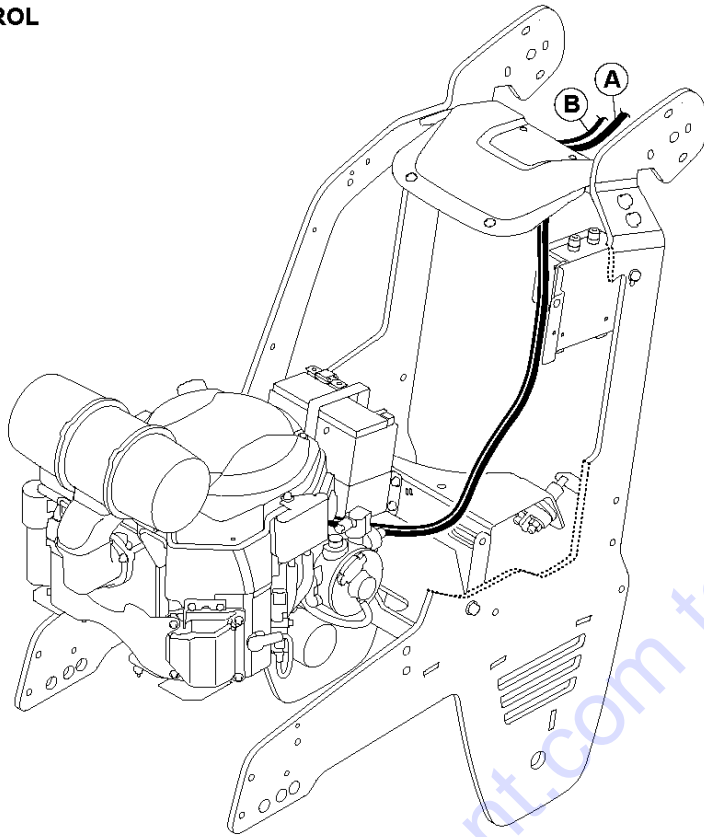
Ref	Part No	Description	Remark	QTY KIT
1	598 68 52-01	FUSE	100A M8	1
2	596 60 87-01	BATTERY	12V 20Ah	1
3	595 66 00-01	BATTERY	Strap	1
4	591 46 85-01	SCREW	M6x12	5
5	725 53 72-65	SCREW IHSCM	M6x25	2
6	594 89 68-01	SWITCH	Battery master	1
7	595 68 03-01	NUT	M6	11
8	595 65 90-01	GROMMET	31x48x14	1
9	589669104	TBD	M6 Ø7.9	2

Go to Discount-Equipment.com to order your parts

Q PG 690 PROPANE
ELECTRICAL WIRING

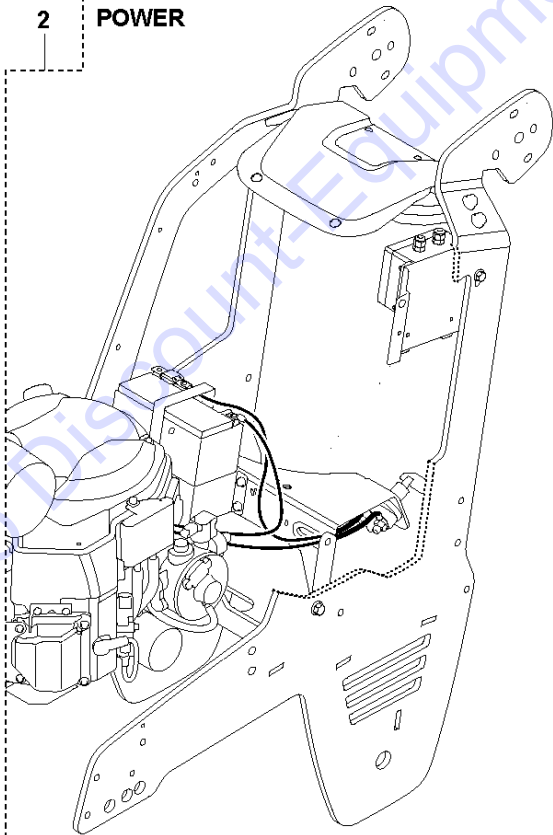
1

CONTROL



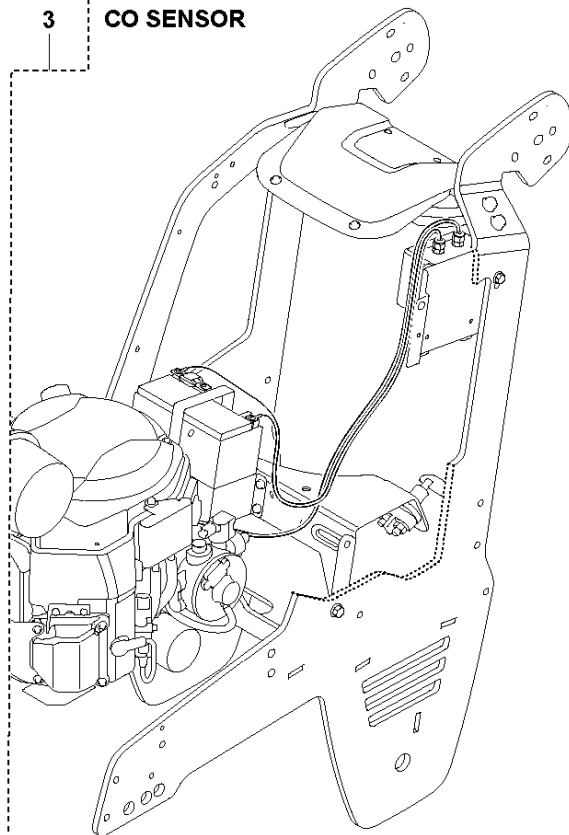
2

POWER



3

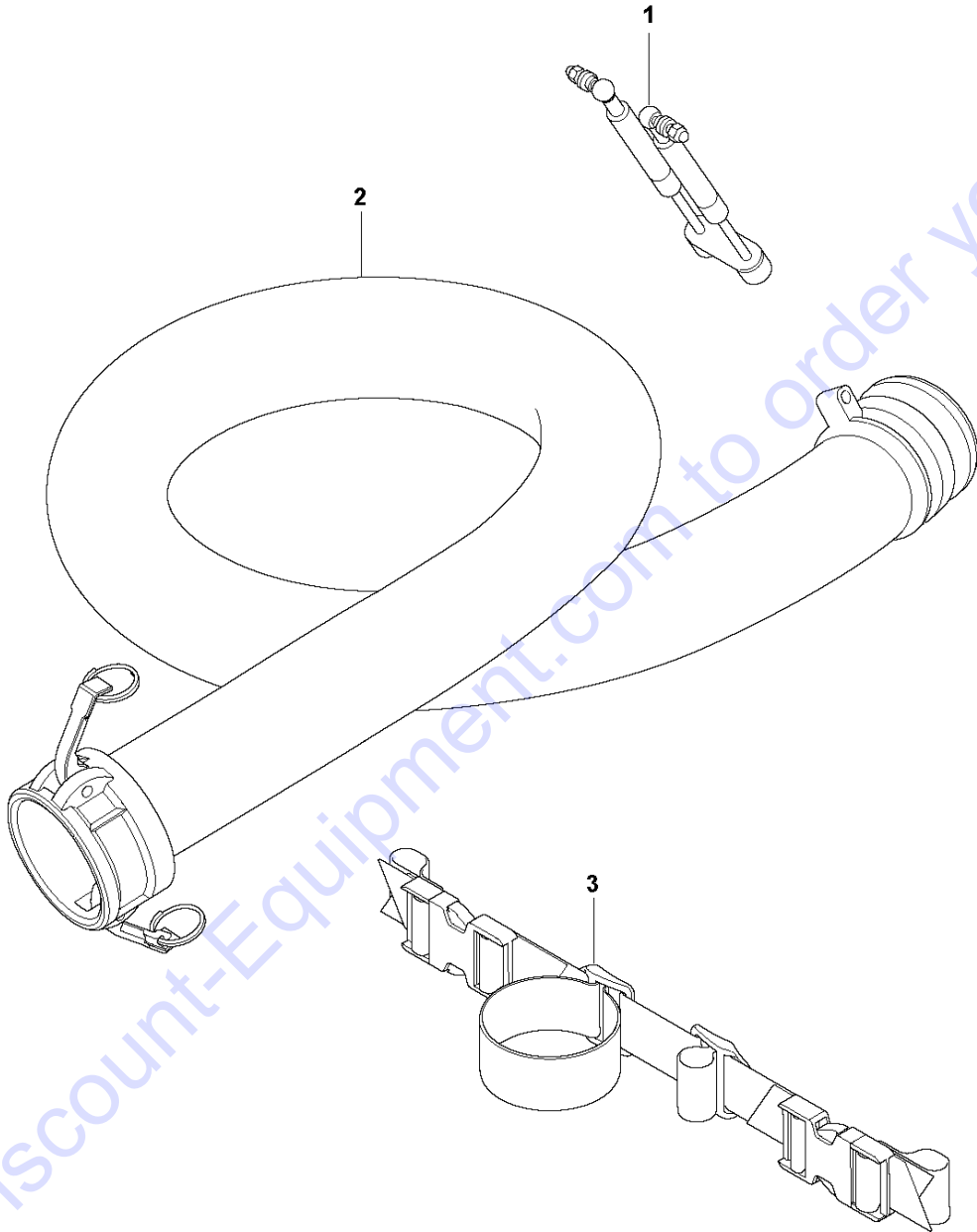
CO SENSOR



Ref	Part No	Description	Remark	QTY KIT
1	597 63 46-01	CONTROL PANEL	CONTROL PANEL - PG 690 P	1
2	598 56 13-01	CABLE	BATTERY - PG 690 P	1
3	599 47 15-01	SENSOR ASSY	CO-SENSOR - PG 690 P	1

Go to Discount-Equipment.com to order your parts

R PG 690 PROPANE
MISC SPARE PARTS

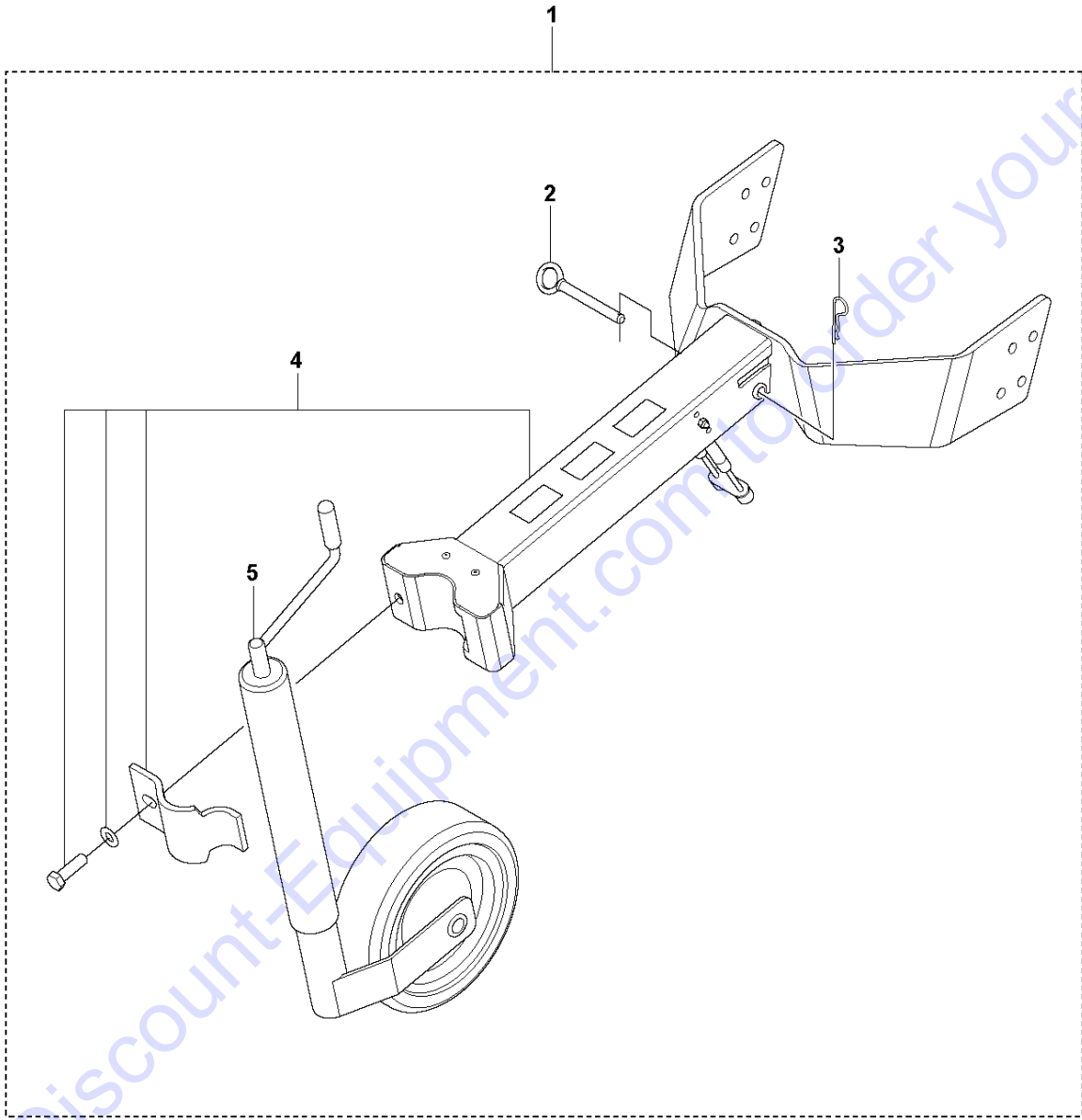


Go to Discount-Equipment.com to order your parts

Ref	Part No	Description	Remark	QTY KIT
1	598 76 53-01	GAS SPRING	Gas Spring Kit	1
2	599 69 00-01	HOSE KIT		1
3	593 53 67-01	STRAP	Hose guide assy	1

Go to Discount-Equipment.com to order your parts

S PG 690 PROPANE
SUPPORT WHEEL



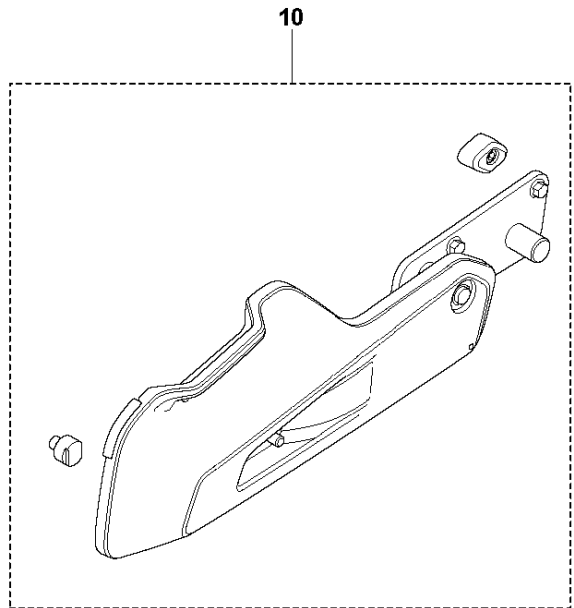
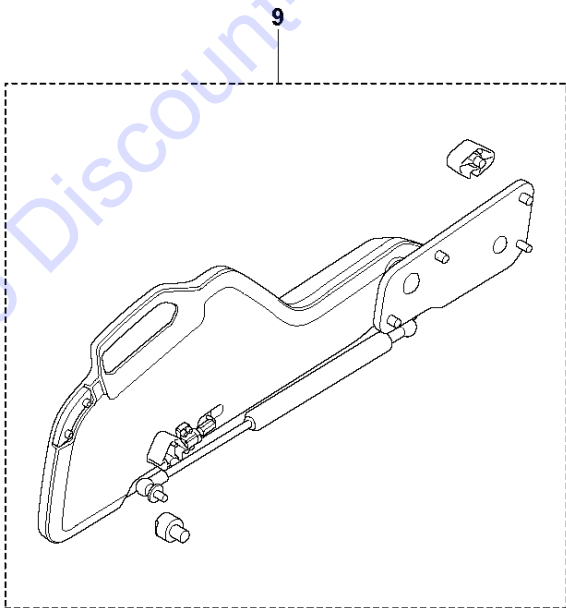
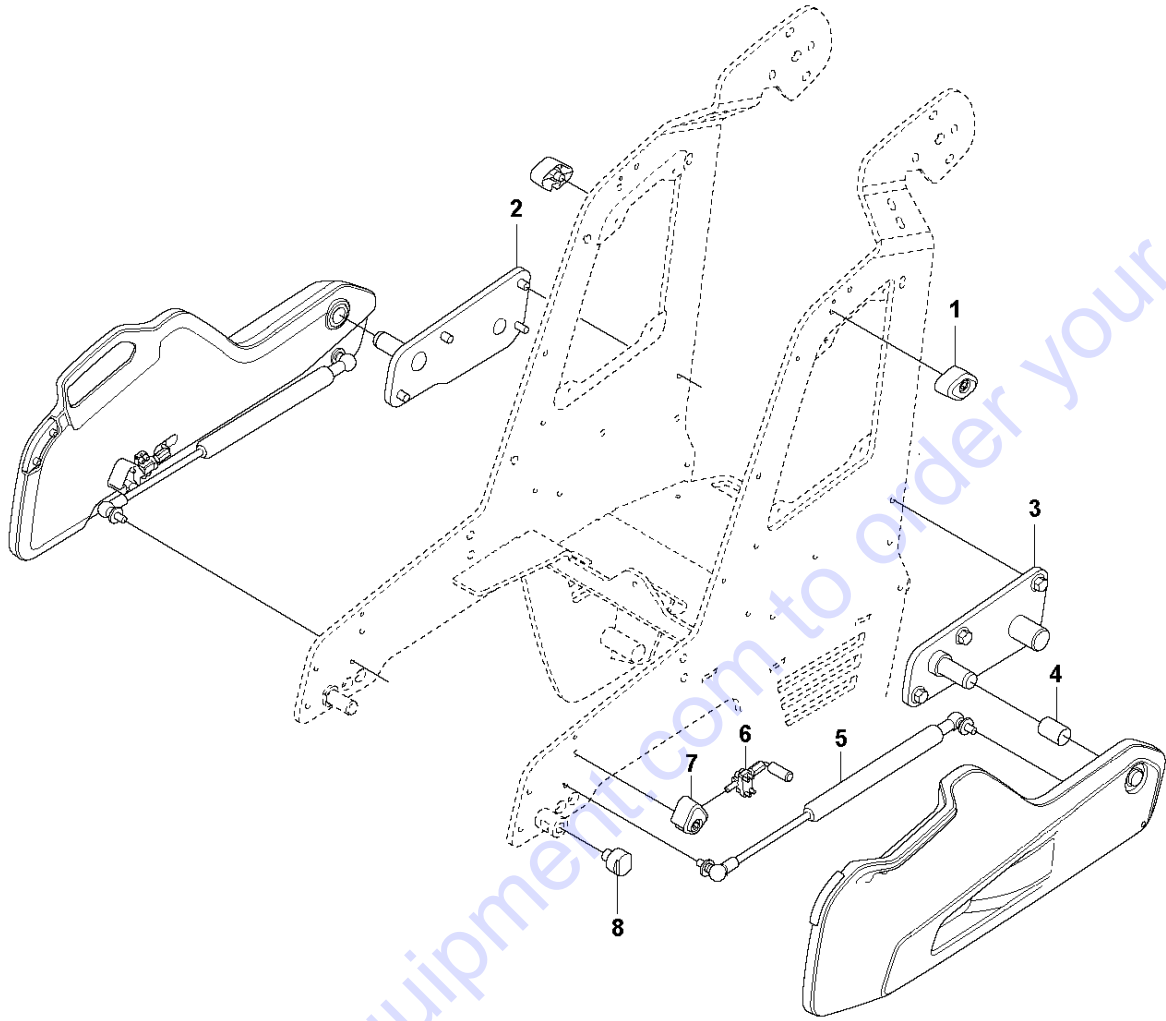
SUPPORT WHEEL

PG 690 Propane, 2020-06

Ref	Part No	Description	Remark	QTY	KIT
1	598 41 87-01	SUPPORT WHEEL		1	
2	598 41 93-01	AXLE	D12 Weld assy	1	1
3	721 68 02-51	SPRING COTTER	3St ZPB	1	1
4	598 76 59-01	SUPPORT WHEEL	Arm, Holder and Gas Spring Kit	1	1
5	593 47 00-01	SUPPORT WHEEL	Brosen	1	1

Go to Discount-Equipment.com to order your parts

T PG 690 PROPANE
WEIGHT ASSY

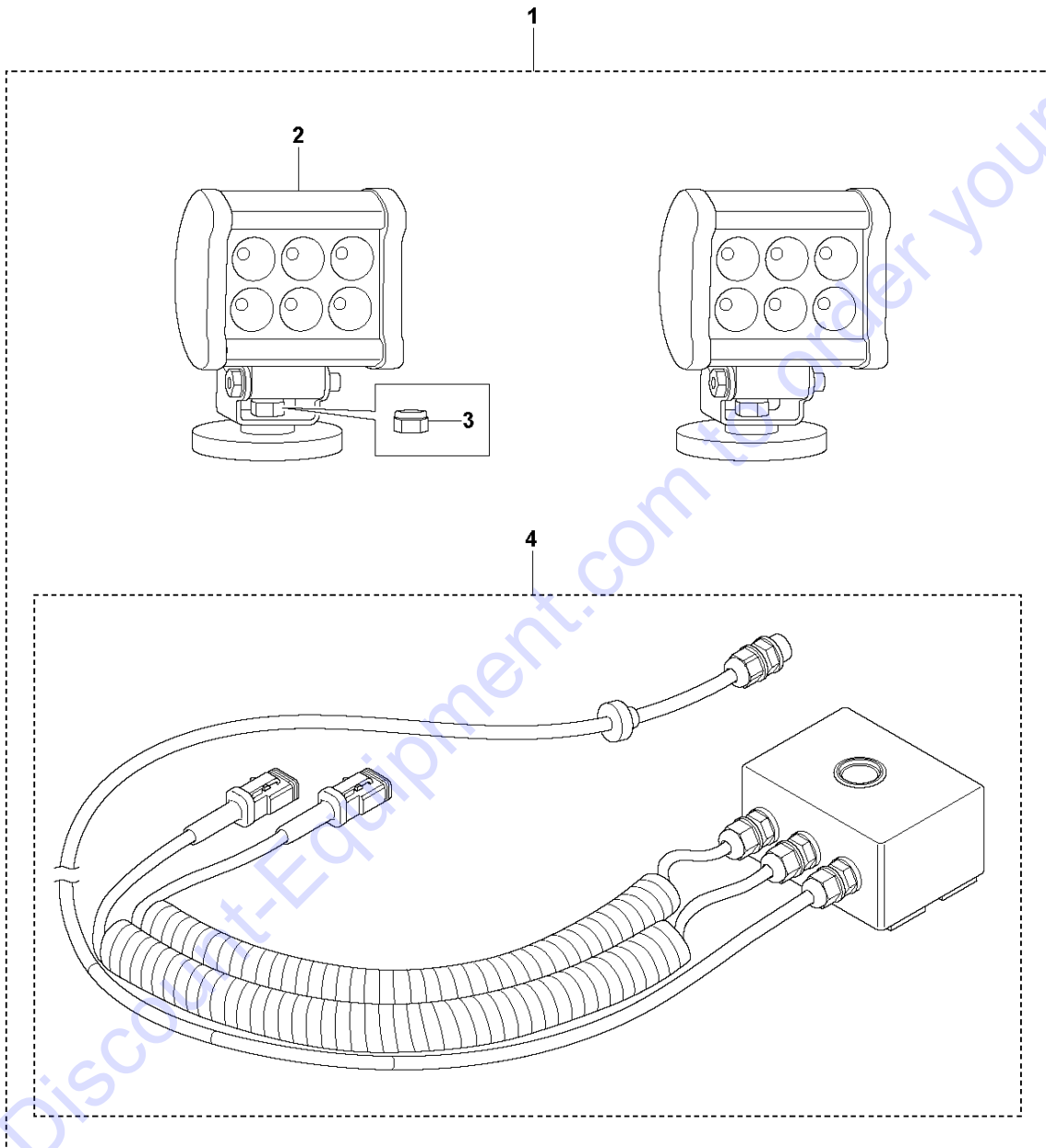


Go to Discount-Equipment.com to order your parts

Ref	Part No	Description	Remark	QTY KIT
1	596 61 45-01	BLOCK		2
2	596 61 46-01	BRACKET	RH	1
3	596 61 46-02	BRACKET	LH	1
4	593 41 72-01	BUSHING		2
5	593 58 23-01	GAS SPRING		2
6	535 40 38-01	SPRING PIN		4
6	598 03 44-01	SPRING PIN		2
6	535 40 38-01	SPRING PIN		2
7	599 65 62-01	BLOCK	Block incl. Screw	2
8	598 39 97-01	SUPPORT	Weight Support	2
9	598 03 89-01	WEIGHT	Weight Kit Right	1
10	598 03 88-01	WEIGHT	Weight Kit Left	1

Go to Discount-Equipment.com to order your parts

U PG 690 PROPANE
LIGHT KIT



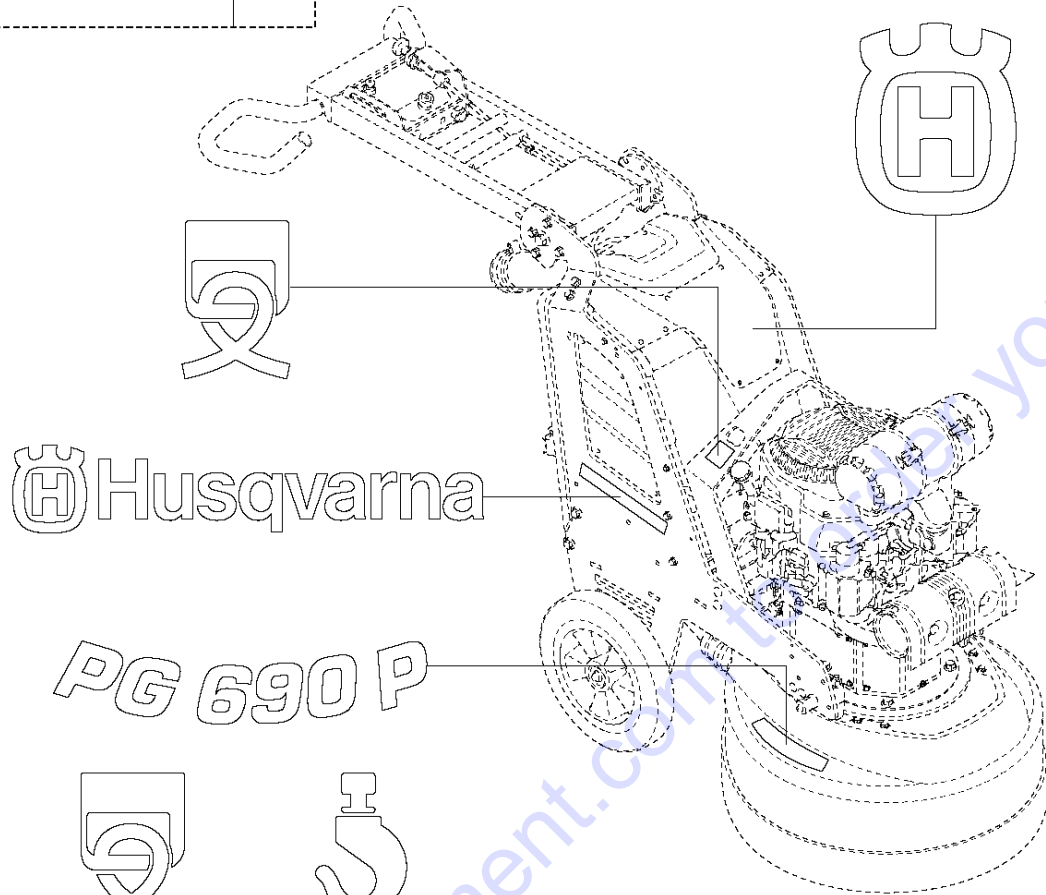
Go to Discount-Equipment.com to order your parts

Ref	Part No	Description	Remark	QTY	KIT
1	597 92 52-01	LIGHT KIT		1	
2	593 54 06-01	LIGHT		2	1
3	593 49 98-01	LOCK NUT		2	1
4	598 69 22-01	CABLE		1	1

Go to Discount-Equipment.com to order your parts

V PG 690 PROPANE
DECALS

1

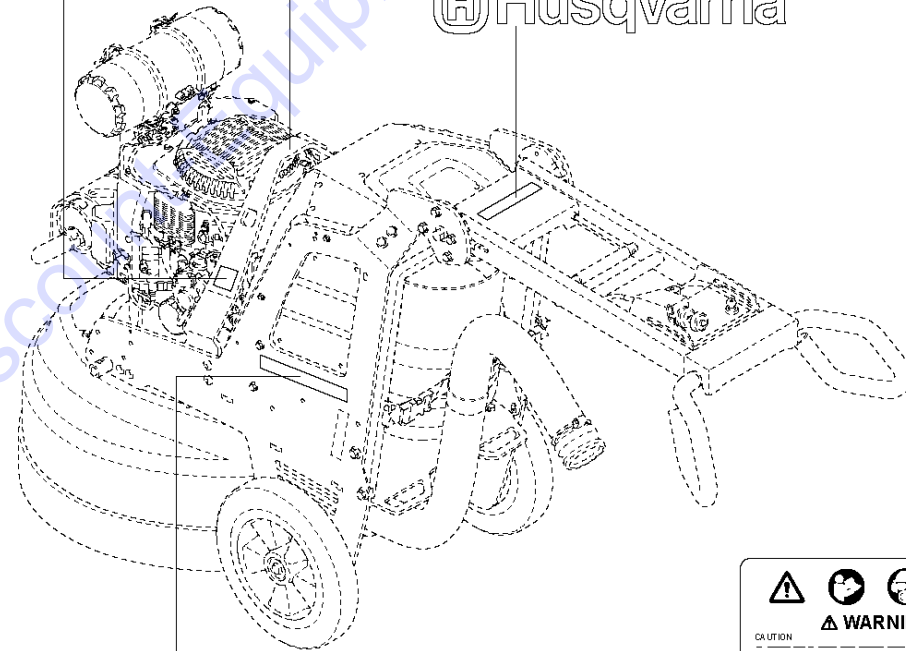


 Husqvarna





PG 690 P



 Husqvarna



 Husqvarna

			
⚠ WARNING			
CAUTION _____			
WARNING _____			
ATTENTION _____			
AVERTISSEMENT _____			

Ref	Part No	Description	Remark	QTY	KIT
1	599 65 56-06	DECAL KIT	Decal kit PG690 Propane	1	

Go to Discount-Equipment.com to order your parts

PARTS FINDER

**Search Website
by Part Number**



**Search Manual
Library For Parts
Manual & Lookup Part
Numbers – Purchase
or Request Quote**

Search Manuals

Enter your information to help us locate the right part for your machine.

* Brand:

* Model:

* Serial:

* Part Number:

SEARCH

**Can't Find Part or
Manual? Request Help
by Manufacturer,
Model & Description**

Parts Order Form

Please fill in the following information:

Manufacturer:

Model:

Description:

Part Number:

Quantity:

Submit

Discount-Equipment.com is your online resource for quality parts & equipment.

Florida: **561-964-4949** Outside Florida TOLL FREE: **877-690-3101**

Need parts?

Click on this link: <http://www.discount-equipment.com/category/5443-parts/> and choose one of the options to help get the right parts and equipment you are looking for. Please have the machine model and serial number available in order to help us get you the correct parts. If you don't find the part on the website or on one of the online manuals, please fill out the request form and one of our experienced staff members will get back to you with a quote for the right part that your machine needs.

We sell worldwide for the brands: Genie, Terex, JLG, MultiQuip, Mikasa, Essick, Whiteman, Mayco, Toro Stone, Diamond Products, Generac Magnum, Airman, Haulotte, Barreto, Power Blanket, Nifty Lift, Atlas Copco, Chicago Pneumatic, Allmand, Miller Curber, Skyjack, Lull, Skytrak, Tsurumi, Husquvarna Target, Stow, Wacker, Sakai, Mi-T-M, Sullair, Basic, Dynapac, MBW, Weber, Bartell, Bennar Newman, Haulotte, Ditch Runner, Menegotti, Morrison, Contec, Buddy, Crown, Edco, Wyco, Bomag, Laymor, EZ Trench, Bil-Jax, F.S. Curtis, Gehl Pavers, Heli, Honda, ICS/PowerGrit, IHI, Partner, Imer, Clipper, MMD, Koshin, Rice, CH&E, General Equipment, Amida, Coleman, NAC, Gradall, Square Shooter, Kent, Stanley, Tamco, Toku, Hatz, Kohler, Robin, Wisconsin, Northrock, Oztec, Toker TK, Rol-Air, APT, Wylie, Ingersoll Rand / Doosan, Innovatech, Con X, Ammann, Mecalac, Makinex, Smith Surface Prep, Small Line, Wanco, Yanmar