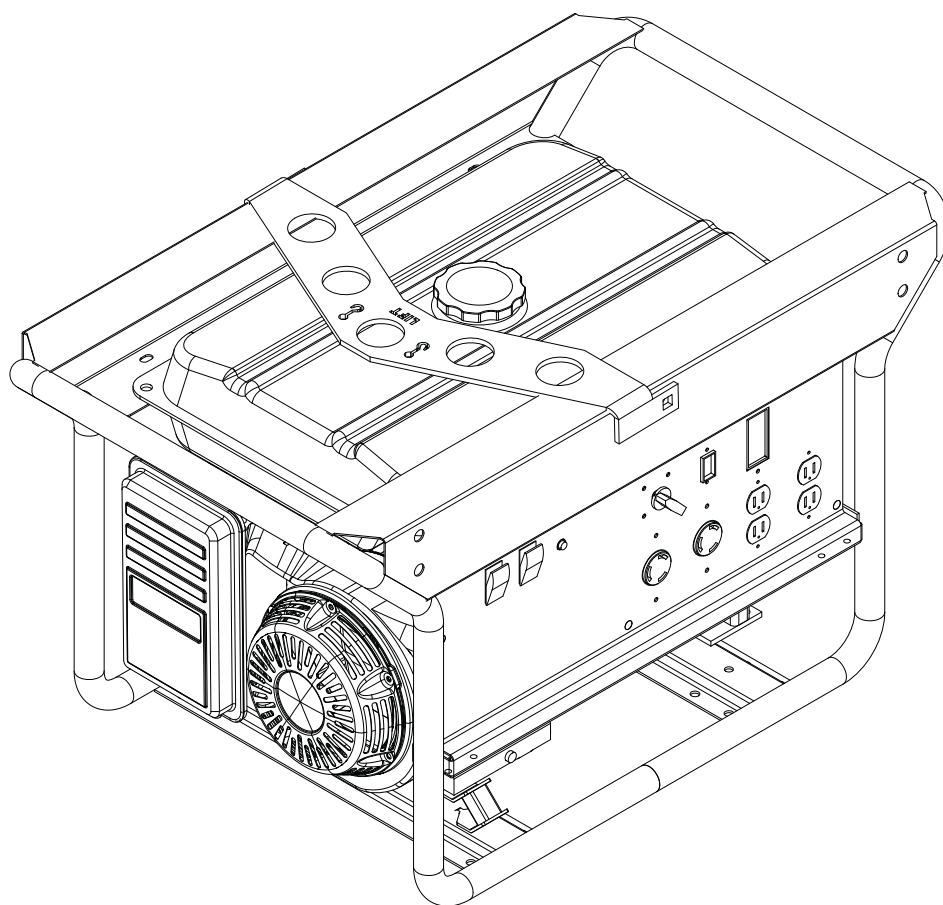




PORTABLE GENERATOR
MPG 5600



OPERATING/PARTS MANUAL

INTRODUCTION

This manual provides information and procedures to safely operate and maintain the portable generator. For your own safety and protection from physical injury, carefully read, understand, and observe the safety instructions described in this manual. *The information contained in this manual was based on machines in production at the time of publication. Magnum Products LLC reserves the right to change any portion of this information without notice.*

DO NOT MODIFY or use this equipment for any application other than which it was designed for.

Magnum Products LLC recommends that a trained and licensed professional perform all electrical wiring and testing functions. Any wiring should be in compliance with the United States National Electric Code (NEC), state and local codes and Occupational Safety and Health Association (OSHA) guidelines.

Keep a copy of this manual with the unit at all times. Additional copies are available from Magnum Products LLC or can be found at **www.m-p-llc.com**. An engine operator's manual was also supplied with the unit at the time of shipment from the factory. The manual provides detailed operation and maintenance procedures for the engine. Additional copies of this manual are available from the engine manufacturer.

MAGNUM PRODUCTS LLC
215 Power Drive • Berlin, WI 54923
U.S.A.
Phone: 920-361-4442
Fax: 920-361-4416
Toll Free: 1-800-926-9768
www.m-p-llc.com

For technical or parts QUESTIONS, please contact Magnum Products' Customer Support or Technical Support team at 920-361-4442. Please have your serial number available.

To ORDER SERVICE PARTS, please contact the dealer from which you purchased the unit, or call Magnum Products to locate a dealer in your area.

Unit Model Number: _____

Unit Serial Number: _____

⚠ WARNING

CALIFORNIA PROPOSITION 65 WARNING:

Engine exhaust and some of its constituents are known to the state of California to cause cancer, birth defects and other reproductive harm.

TABLE OF CONTENTS

	Page
INTRODUCTION	2
TABLE OF CONTENTS	3
SAFETY NOTES	4
OPERATING SAFETY	4
ENGINE SAFETY	5
ELECTRICAL SAFETY	5
UNIT SERIAL NUMBER LOCATION	6
SAFETY SYMBOL SUMMARY	6
SPECIFICATIONS	7
COMPONENT LOCATIONS	8
CONTROL PANEL COMPONENTS	9
GROUNDING THE GENERATOR	10
CONNECTING ELECTRICAL LOADS	10
GFCI TEST INSTRUCTIONS	10
PREVENTION OF OVERLOAD	10
WATTAGE CONSUMPTION OF EQUIPMENT	11
USE OF EXTENSION CORDS	11
EXTENSION CORD SELECTION CHART	12
ADDING ENGINE OIL	12
ADDING GASOLINE	12
STARTING THE ENGINE	13
POWERING THE LOADS	13
STOPPING THE ENGINE	14
MAINTENANCE SCHEDULE	15
DAILY MAINTENANCE CHECKS AND TIPS	15
LIFTING THE GENERATOR	15
UNIT DECALS	16
CONTROL PANEL ASSEMBLY	17
FRAME AND FUEL TANK ASSEMBLY	18-19
ENGINE AND GENERATOR ASSEMBLY	20-21
AC WIRING DIAGRAM	22
DC WIRING DIAGRAM	23

SAFETY NOTES



This is the safety alert symbol. It is used to alert you to potential personal injury hazards. Obey all safety messages that follow this symbol to avoid possible injury or death.

This manual contains DANGERS, WARNINGS, CAUTIONS, NOTICES and NOTES which must be followed to prevent the possibility of personal injury or death, damage to equipment, or improper service. The following formatting options will apply when calling the readers attention to the DANGERS, WARNINGS, CAUTIONS, NOTICES and NOTES.

⚠ DANGER

INDICATES A HAZARDOUS SITUATION WHICH, IF NOT AVOIDED, WILL RESULT IN DEATH OR SERIOUS INJURY.

⚠ WARNING

Indicates a hazardous situation which, if not avoided, could result in death or serious injury.

⚠ CAUTION

Indicates a hazardous situation which, if not avoided, may result in minor or moderate injury.

NOTICE

Indicates a hazardous situation which, if not avoided, may result in property or equipment damage.

***Note:** Notes contain additional information important to a procedure and will be found within the regular text body of this manual.*

OPERATING SAFETY



Before using the generator be sure you read and understand all of the instructions! This equipment was designed for specific applications; **DO NOT** modify or use this equipment for any application other than which it was designed for. Equipment operated improperly or by untrained personnel can be dangerous! Read the operating instructions and familiarize yourself with the location and proper use of all instruments and controls. Inexperienced operators should receive instruction from someone familiar with the equipment before being allowed to operate or set up the generator. The following points should be practiced at all times:

- The area immediately surrounding the generator should be dry, clean, and free of debris.
- **NEVER** start a unit in need of repair.
- **NEVER** operate unit on a combustible surface.
- **NEVER** operate the generator if any of the following conditions exist during operation:
 1. Noticeable change in engine speed.
 2. Loss of electrical output.
 3. Equipment connected to the generator overheats.
 4. Sparking occurs.
 5. Engine misfires or there is excessive engine/generator vibration.
 6. Protective covers are loose or missing.
 7. If the ambient air temperature is above 110° F.

ENGINE SAFETY



Internal combustion engines present special hazards during operation and fueling! Failure to follow the safety guidelines described below could result in severe injury or death. Read and follow all safety warnings described in the engine operator's manual. A copy of this manual was supplied with unit when it was shipped from the factory.

- **DO NOT** run engine indoors or in an area with poor ventilation unless exhaust hoses are used. Engine exhaust contains carbon monoxide, a deadly, odorless and colorless gas which, if inhaled, can cause nausea, fainting or death. Make sure engine exhaust cannot seep into closed rooms or ventilation equipment.
- **DO NOT** fill fuel tank near an open flame, while smoking, or while engine is running. **DO NOT** fill tank in an enclosed area with poor ventilation.
- **DO NOT** operate with the fuel tank cap loose or missing.
- **DO NOT** touch or lean against hot exhaust or engine parts.
- **DO NOT** clean air filter with gasoline or other types of low flash point solvents.
- Keep hands, feet and loose clothing away from moving parts on the generator and engine.
- If equipped, batteries contain sulfuric acid which can cause severe injury or death. Sulfuric acid can cause eye damage, burn flesh or eat holes in clothing. Protective eye wear and clothing are necessary when working on or around the battery. Always disconnect the NEGATIVE (-) battery cable from the corresponding terminal before performing any service on the engine or other components.

ELECTRICAL SAFETY

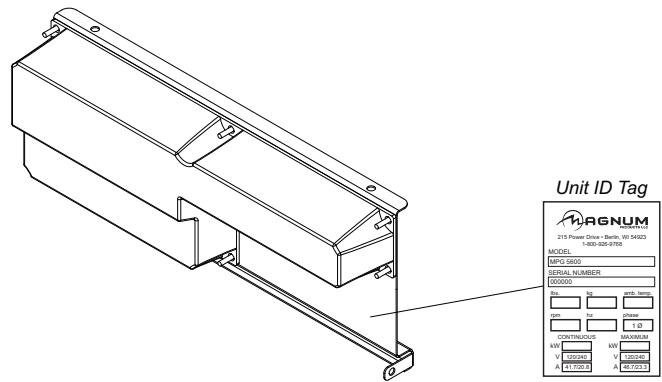


While the engine is running, potentially lethal voltages are present at the outlets located on the control panel. Failure to follow the safety guidelines described below could result in severe injury or death.

- Only a qualified and licensed electrician should make connections to the generator.
- **NEVER** wash the unit with any high pressure hoses or power washers.
- **NEVER** allow water to accumulate around the base of the unit. If water is present, DO NOT service!
- **NEVER** service electrical components if clothing or skin is wet. If the unit is stored outside, check the engine and generator for any moisture and dry the unit before use.
- **NEVER** start the engine with any of the circuit breakers switched on or with any loads connected to the control panel. Serious generator damage will result.
- **ALWAYS** disconnect the NEGATIVE (-) battery cable from the corresponding terminal before performing any service on the engine, generator or any other components. Remove the NEGATIVE (-) battery cable from the corresponding terminal if the unit is to be stored or transported.








UNIT SERIAL NUMBER LOCATION

Refer to the location illustrated at right to find the unit ID tag. Important information, such as the unit serial number and model number are found on this tag. Record the information from this tag, so it is available if the tag is lost or damaged. When ordering parts or requesting technical service information, you may be asked to specify this information.



SAFETY SYMBOL SUMMARY

This equipment has been supplied with numerous safety and operating decals. These decals provide important operating instructions and warn of dangers and hazards. Replace any missing or hard-to-read decals and use care when washing or cleaning the unit. Decal placement and part numbers can be found in the parts section of this manual. Below is a summary of the intended meanings for the symbols used on the decals.

 <p>Safety alert symbol; Used to alert you to potential personal injury hazards.</p>	 <p>Asphyxiation hazard; Operate in well ventilated area.</p>
 <p>Hot surface(s) nearby.</p>	 <p>Dangerous voltage may be present. Disconnect battery before servicing.</p>
 <p>Two-person lift only.</p>	 <p>Use unleaded gasoline only.</p>
 <p>Check oil level daily.</p>	 <p>Unit electrical ground.</p>
 <p>Stop engine before fueling.</p>	 <p>Fire/explosion hazard; Keep open flames away from unit.</p>
 <p>Lift here only.</p>	 <p>Read and understand the supplied operator's manual before operating unit.</p>

SPECIFICATIONS

Read this manual carefully before attempting to use this generator. The potential for property damage, personal injury or death exists if this equipment is misused or installed incorrectly. Read all of the manuals included with this unit. Each manual details specific information regarding items such as set-up, use and service requirements.

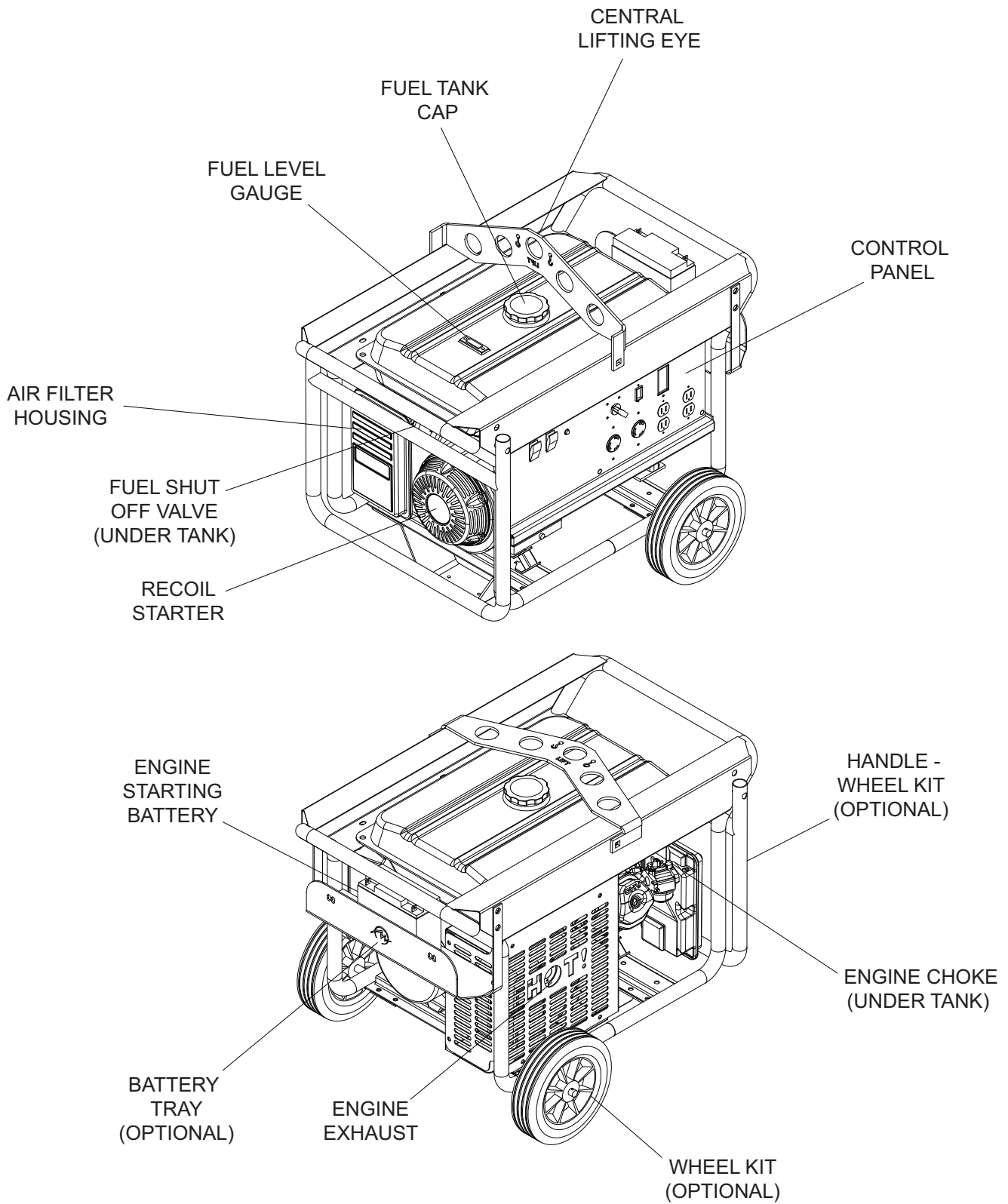
MAGNUM MODEL	MPG 5600	MPG 5600E**
Engine		
Engine Make	Honda	Honda
Engine Model	GX340	GX340
Power-net prime*	9.5 hp (7.1 kW)	9.5 hp (7.1 kW)
Fuel Consumption - net prime	0.96 gph (3.63 Lph)	0.96 gph (3.63 Lph)
Displacement	21 in ³ (337 cm ³)	21 in ³ (337 cm ³)
Recoil Start	Yes	Yes
Electric Start	No	Yes
Generator		
Generator Frequency	60 Hz	60 Hz
Maximum Output Watts	5600	5600
Continuous Output Watts	5000	5000
Maximum Amps	47A	47A
Electrical		
Main Circuit Breaker	23 Amp-2 pole	23 Amp-2 pole
Voltage (Receptacles)	120/240V	120/240V
120V, 20A Duplex - qty	2	2
120/240, 20A Twist Lock - qty	1	1
120/240, 30A Twist Lock - qty	1	1
Battery Voltage	N/A	12V
Capacities		
Fuel Tank	6.6 gal. (25 L)	6.6 gal. (25 L)
Approximate Run time	7.1 hours	7.1 hours
Minimum Battery Capacity	N/A	18 Ah
Weights and Dimensions		
Dry Weight	211 lbs. (96 kg)	216 lbs. (98 kg)
Operating Weight	252 lbs. (114 kg)	257 lbs. (117 kg)
Dry Weight, w/Wheel Kit Option	238 lbs. (108 kg)	243 lbs. (110 kg)
Operating Weight, w/Wheel Kit Option	279 lbs. (127 kg)	284 lbs. (129 kg)
Dimensions (L x W x H)	36.8 x 21.4 x 21.5 in.	36.8 x 21.4 x 21.5 in.
	934.7 x 543.6 x 546.1 mm	934.7 x 543.6 x 546.1 mm
Dimensions, Wheel Kit Option (L x W x H)	36.8 x 27.0 x 27.0 in.	36.8 x 27.0 x 27.0 in.
	934.7 x 686.0 x 686.0 mm	934.7 x 686.0 x 686.0 mm

* The power rating of the engine indicated in this document is the net power output tested on a production engine for the engine model and measured in accordance with SAE J1349 at 3600 rpm. Mass production engines may vary from this value. Actual power output for the engine installed in the final machine will vary depending on numerous factors, including the operating speed of the engine in application, environmental conditions, maintenance, and other variables.

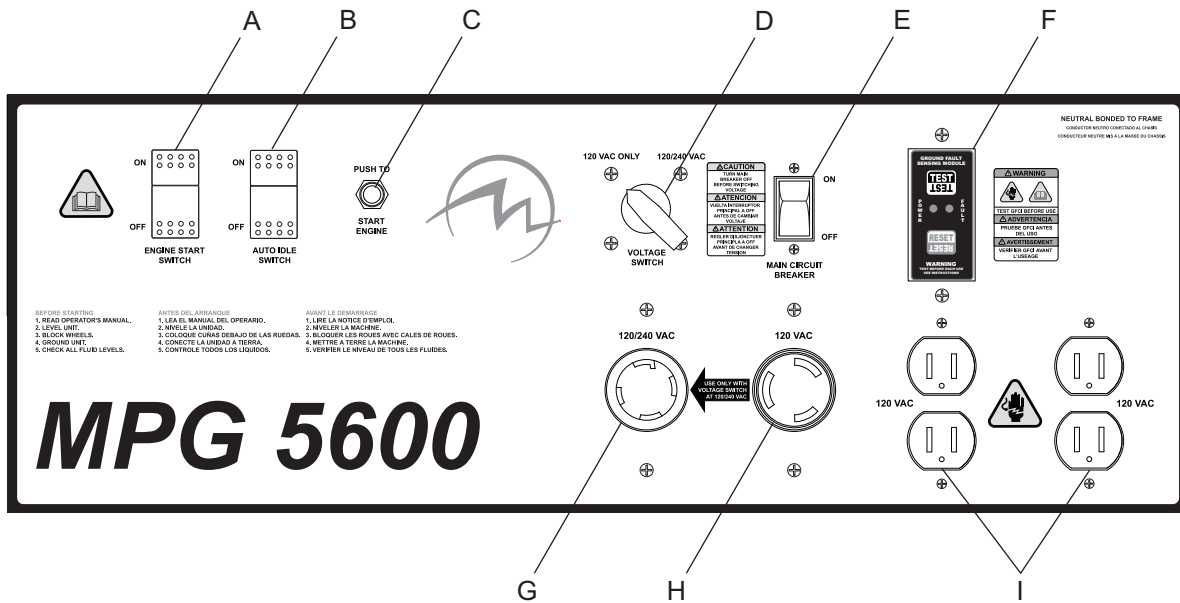
**For units equipped with electric start, use a 12 volt battery with a minimum capacity of 18Ah. The maximum physical battery dimensions (L x W x H) are 15" x 4.9" x 9" (381.0 x 124.5 x 227.0 mm). Batteries are not supplied with electric start units.

SPECIFICATIONS ARE SUBJECT TO CHANGE WITHOUT NOTICE.

COMPONENT LOCATIONS



CONTROL PANEL COMPONENTS



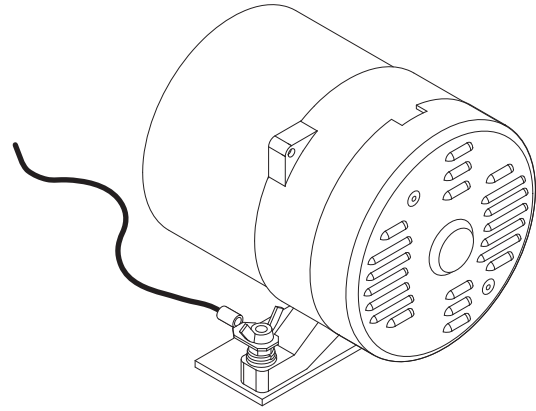
- A. **ENGINE START SWITCH:** This switch must be in the ON position to start the engine. To stop the engine, place switch in OFF position.
- B. **AUTO IDLE SWITCH:** When this switch is engaged, the engine speed will return to idle whenever the generator is not under load.
- C. **ENGINE START:** Push button for electric engine starting option.
- D. **VOLTAGE SWITCH:** This switch changes voltage on the L14-30R outlet from 120V to 240V.
- E. **MAIN CIRCUIT BREAKER:** This unit contains a 23A circuit breaker.
- F. **GFCI TEST MODULE:** This module is the ground fault circuit interrupter to protect all electrical outlets.
- G. **120/240V TWIST-LOCK CONVENIENCE OUTLET:** This L14-30R outlet is used to connect additional loads or equipment to the generator.
- H. **120V TWIST-LOCK CONVENIENCE OUTLET:** This L5-30R outlet is used to connect additional loads or equipment to the generator.
- I. **120V DUPLEX CONVENIENCE OUTLETS:** These 120V outlets are used to connect additional loads or equipment to the generator.

GROUNDING THE GENERATOR

The National Electrical Code (NEC) requires that the generator be properly connected to an approved ground source. The ground connection for this unit is located on the generator support leg.

CONNECTING ELECTRICAL LOADS

Allow the engine to warm-up before connecting any devices to the unit. Connect the desired 120 or 240 volt AC, single phase, 60 Hz electrical loads.



GROUND SOURCE
LOCATION

GFCI TEST INSTRUCTIONS

NOTICE:

ALWAYS test GFCI outlets before connecting any loads to the generator.

The device green LED is “ON” and circuit breaker is at “ON” position.

1. Press the “TEST” button. The green LED should go out and the red LED should come on. The circuit breaker should trigger to the off position.
2. If the LED does not change state, or the breaker does not trip, DO NOT USE! Consult an electrician for assistance.
3. Press the “RESET” button. The red LED should turn off and the green LED should turn on.
4. Manually reset the circuit breaker to the on position to restore circuit power.

PREVENTION OF OVERLOAD

Exceeding wattage capacity can result in damage to the generator and to the connected electrical devices. Adhere to the following to prevent exceeding wattage capacities:

- Calculate the total wattage of all electrical devices to be connected at one time to the generator.
- The total should **NOT** be greater than the generator’s wattage capacity.
- The wattage from various devices can be found on the device’s data plate or decal. See the Wattage Consumption of Equipment section on page 11 for a listing of devices and their running watts.
- If you cannot locate the running wattage for a device, multiply volts times ampere rating.

WATTAGE CONSUMPTION OF EQUIPMENT

DEVICE	APPROXIMATE RUNNING WATTS
Air Conditioner (12,000 BTU)**	1700
Air Conditioner (24,000 BTU)**	3800
Air Conditioner (40,000 BTU)**	6000
Battery Charger (20 Amp)	500
Belt Sander (3")	1000
Chain Saw	1200
Circular Saw (6-1/2")	800 to 1000
Compressor (1 hp)**	2000
Compressor (3/4 hp)**	1800
Compressor (1/2 hp)**	1400
Disc Sander (9")	1200
Edge Trimmer	500
Electric Nail Gun	1200
Electric Range (per element)	1500
Furnace Fan (3/5 hp)**	875
Garage Door Opener**	500 to 750
Hand Drill	250 to 1100
Hedge Trimmer	450
Impact Wrench	500
Jet Pump**	800
Lawn Mower	1200
Light Bulb	100
Oil Burner on Furnace	300
Oil Fired Space Heater (140,000 BTU)	400
Oil Fired Space Heater (85,000 BTU)	225
Oil Fired Space Heater (30,000 BTU)	150
Paint Sprayer, Airless (1/3 hp)**	600
Paint Sprayer, Airless (handheld)	150
Radio	50 to 200
Submersible Pump (1-1/2 hp)**	2800
Submersible Pump (1 hp)**	2000
Submersible Pump (1/2 hp)**	1500
Sump Pump**	800 to 1050
Table Saw (10")**	1750 to 2000
Weed Trimmer	500

**Allow three times the listed watts for starting these devices.

USE OF EXTENSION CORDS

Long extension cords used to connect devices to the generator result in a loss of voltage. The longer the extension cord, the greater the voltage loss. Refer to the chart on page 12 to help select proper cable size when using extension cords.

⚠ WARNING

Damaged extension cords can cause electrical shock, resulting in serious injury or death.

- **DO NOT** use split, frayed or worn cords.
- **ALWAYS** replace damaged cords immediately.

EXTENSION CORD SELECTION CHART

CURRENT (AMPS)	LOAD IN WATTS	VOLTS	MAXIMUM CABLE LENGTH (FT)			
			#10	#12	#14	#16
5	600	120	225	140	90	60
		240	455	285	180	120
10	1200	120	115	70	45	-
		240	225	140	90	-
15	1800	120	75	47	30	-
		240	151	95	60	-
20	2400	120	57	36	-	-
		240	110	70	-	-

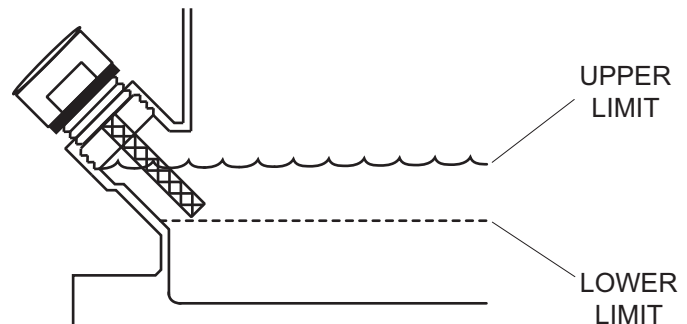
Keep extension cords as short as possible, preferably less than 15 feet long, to prevent voltage drop and possible overheating of wires. Use only high quality, well-insulated, three-wire, grounded cord sets to connect equipment to the generator.

OPERATING THE GENERATOR

Before operating the generator, the engine oil level will need to be checked and gasoline will need to be added to the unit.

ADDING ENGINE OIL

1. Place the generator on a firm, level surface.
2. Remove the oil fill cap/dipstick. Clean the area around the oil fill cap and wipe the dipstick clean.
3. Insert the dipstick in oil filler neck. Do not thread into filler neck. Remove the dipstick, and check the oil level.
3. If oil is needed, carefully add oil to the bottom of the oil filler neck, below the threads. While filling, stop to check oil level. DO NOT overfill.
4. Insert oil fill cap/dipstick and secure tightly.
5. Check engine oil level before each use of the generator.



ADDING GASOLINE

1. Remove the gasoline cap.
2. Carefully fill the fuel tank with UNLEADED gasoline. DO NOT use premium gasoline. DO NOT overfill. Allow approximately 1/2" tank space for fuel expansion.

⚠ WARNING

DO NOT fill fuel tank near an open flame, while smoking, or while engine is running. DO NOT fill tank in an enclosed area with poor ventilation. Doing so may result in serious personal injury or death.

3. Tighten the gasoline cap after filling the fuel tank.

STARTING THE ENGINE

⚠ WARNING

Never start or stop engine with electrical devices plugged into the receptacles OR with devices turned on. Doing so may result in property damage, serious personal injury, or death.

1. Unplug all electrical loads from the unit's receptacles before starting the engine.
2. Make sure the generator is on a firm, level surface, away from any overhangs, open windows, vents or doors.
3. Check the fuel and engine oil levels.
4. Turn the main circuit breaker off.
5. Open the fuel shut-off valve.
6. Turn the engine start switch on.
7. If the engine is cold or has not been run recently, locate the choke lever, just above the air cleaner housing on the left side of the generator. Pull the choke lever toward you to engage.
8. On recoil start engines, grasp the t-handle of the pull rope and pull the rope in a rapid, steady motion to start the engine. On electric start models, push the engine start push-button located on the control panel to start the engine.
9. If the choke was used, allow the engine to run with it on for a few moments before pushing the lever back in.

POWERING THE LOADS

⚠ CAUTION

Never connect any equipment in need of repair to the generator. DO NOT use extension cords that are worn, cut or damaged. Doing so may result in property damage or personal injury.

1. Connect any equipment directly to the generator outlets or extension cords. For the 120/240V NEMA L4-30A outlet, select the proper output voltage for the outlet and the equipment that will be connected to it.

NOTICE

DO NOT connect 240 volt loads to 120 volt receptacles. DO NOT connect 3-phase loads or 50 hz loads to the generator, doing so may result in equipment damage and property damage.

2. Switch the main circuit breaker on. The equipment connected to the generator is now ready to use.
3. If the main circuit breaker is overloaded, it will "trip" or switch off. Verify that the loads connected to the generator are within the generator's output range. Refer to the unit specifications on page 7 for maximum and continuous output watts.
4. Reset the breaker by switching it on. If the breaker trips again, reduce the load to the generator and reset the circuit breaker.

Some generator models are equipped with 20A push button breakers for the two 120V duplex outlets. These breakers will pop out when overloaded. Should they trip, reduce the load to the outlets and reset the breaker by pushing it back in.

STOPPING THE ENGINE

1. Shut off all loads and unplug electrical loads from the control panel receptacles.

⚠ CAUTION

NEVER start or stop the engine while electrical devices are plugged in and turned on, doing so may result in property damage or personal injury.

2. Turn the idle control switch off.
3. Switch the main circuit breaker to the off position.
3. Let the unit run for 3-5 minutes with no load to allow stabilization of the internal temperatures of the engine and generator.
4. Turn the unit off.
5. Close the fuel shut-off valve.

MAINTENANCE SCHEDULE

The following maintenance schedule should be followed to ensure proper performance of the unit.

ITEM	DAILY	20 HRS.	50 HRS.	100 HRS.	300 HRS.
Visual walk around inspection	◆				
Check engine oil level	◆				
Check air filter	◆				
Change engine oil		◆*		◆	
Clean air filter			◆		
Check and adjust spark plug				◆	
Clean muffler/spark arrester				◆	
Replace spark plug					◆
Check and adjust idle speed					◆
Check and adjust valve clearance					◆
Replace air filter					◆
Clean combustion chamber	Every 500 hours				
Clean fuel tank and filter	Every 1 year				
Check fuel tube	Every 2 years				

* After initial break-in, change the engine oil and filter. Oil change interval can then be extended to 100 hours.

DAILY MAINTENANCE CHECKS AND TIPS

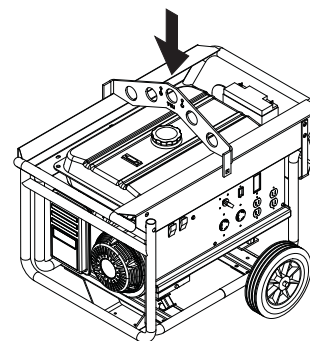
⚠ WARNING

DO NOT service the generator unless you have the proper tools and are mechanically proficient. Improper repairs may result in equipment damage, serious personal injury, or death

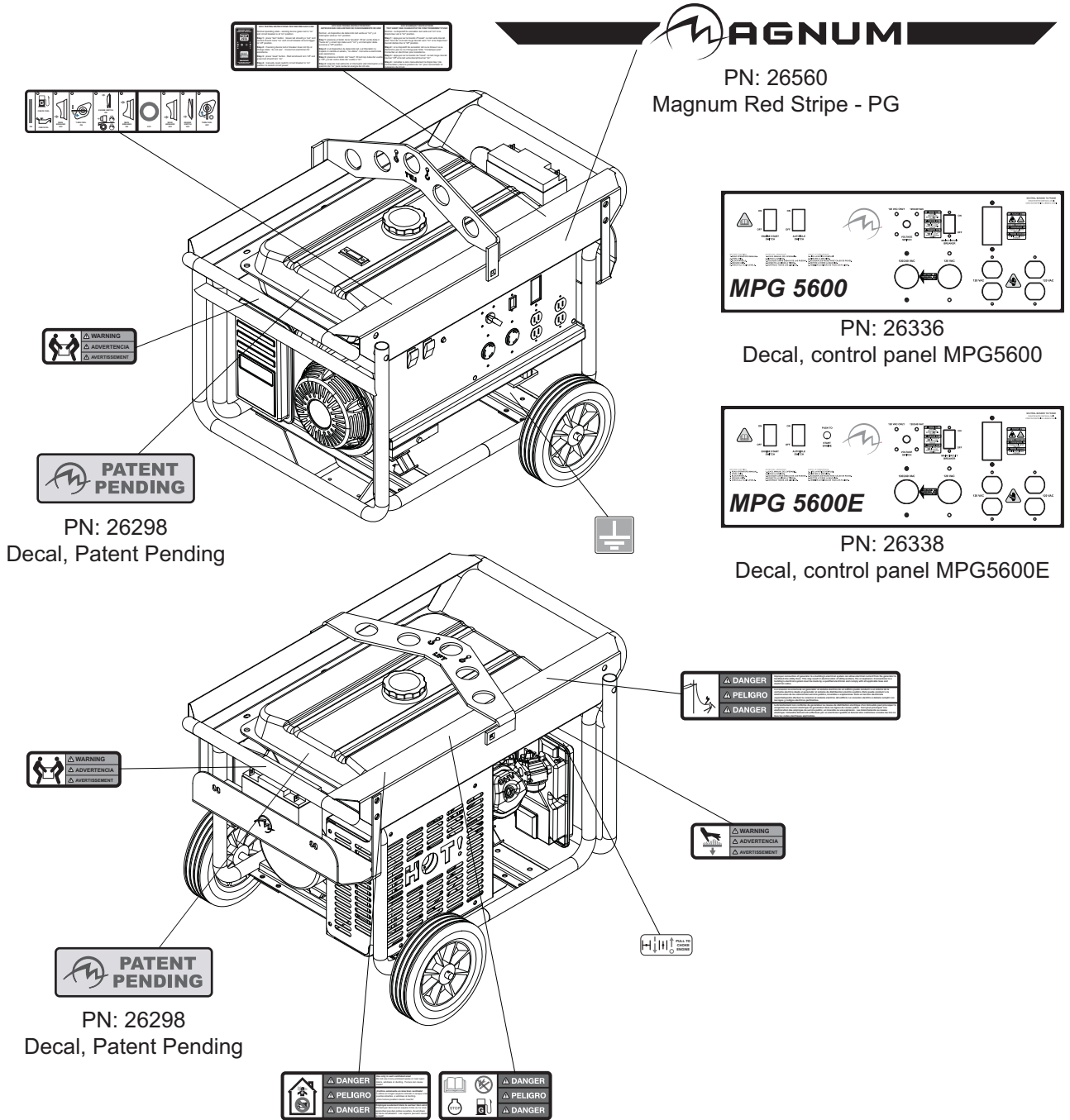
- Check the engine oil level daily before starting engine.
- **DO NOT** start the generator if the oil level is low! The normal operating level for the engine oil is when oil is present on the crosshatch pattern of the dipstick. Add oil to the engine if it does not start or if oil is not present on the dipstick when tested.
- **DO NOT** overfill the crankcase.
- Consult the engine OPERATION AND MAINTENANCE MANUAL for the proper grade of oil, including special operating conditions such as a change in season or climate.
- Service the generator more frequently when used in dusty areas.

LIFTING THE GENERATOR

A large central lifting eye is located on the top of the generator and the eye is connected to the frame of the unit. Attach a sling or hook directly to the lifting eye only if the devices are in good condition and the equipment being used to raise the unit has sufficient capacity. Approximate weights can be found on page 7. Always remain aware of others around you when moving or lifting the generator.

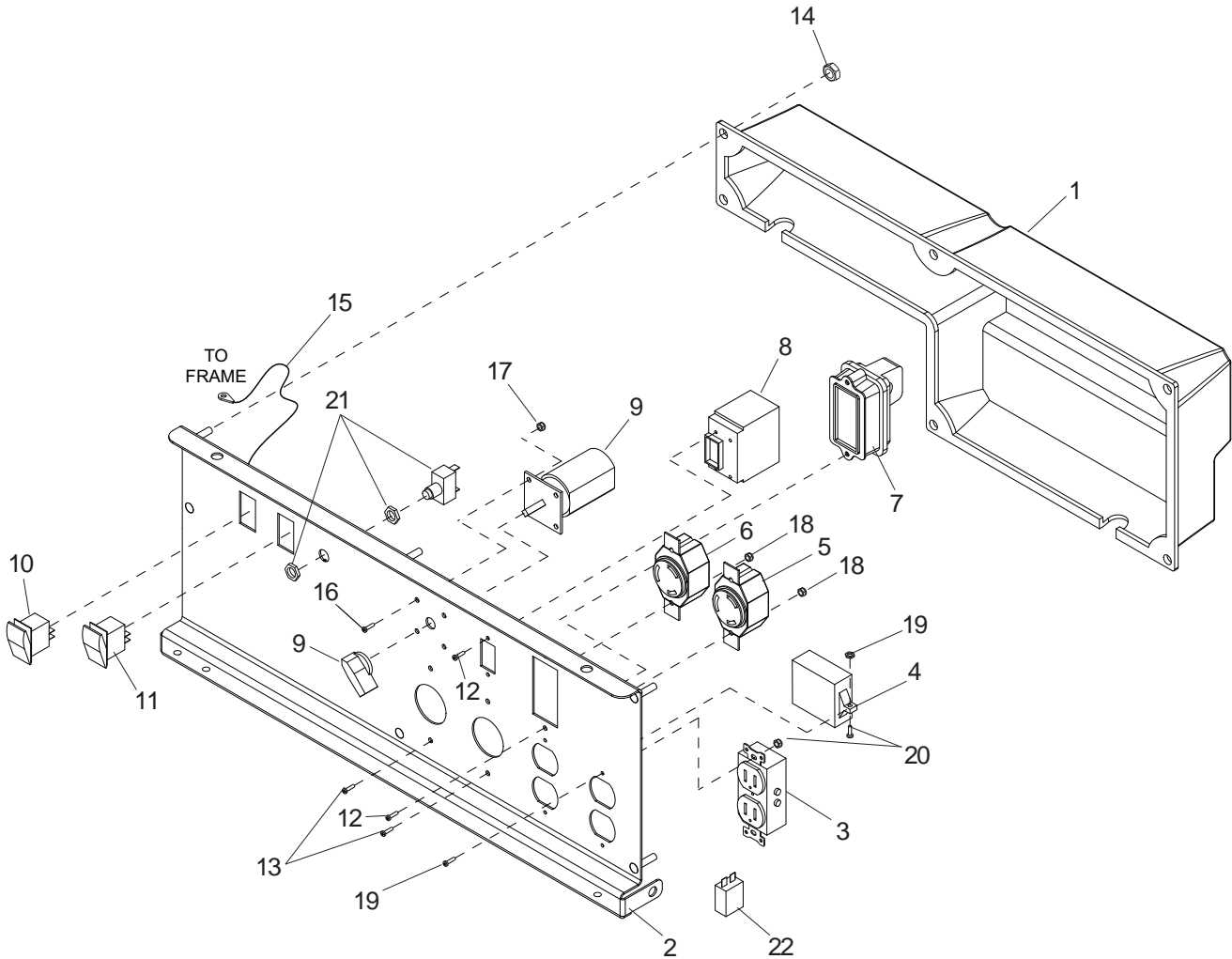


UNIT DECALS



Note: All safety and operating decals shown above are located on decal sheet 26332, unless otherwise noted.

CONTROL PANEL ASSEMBLY

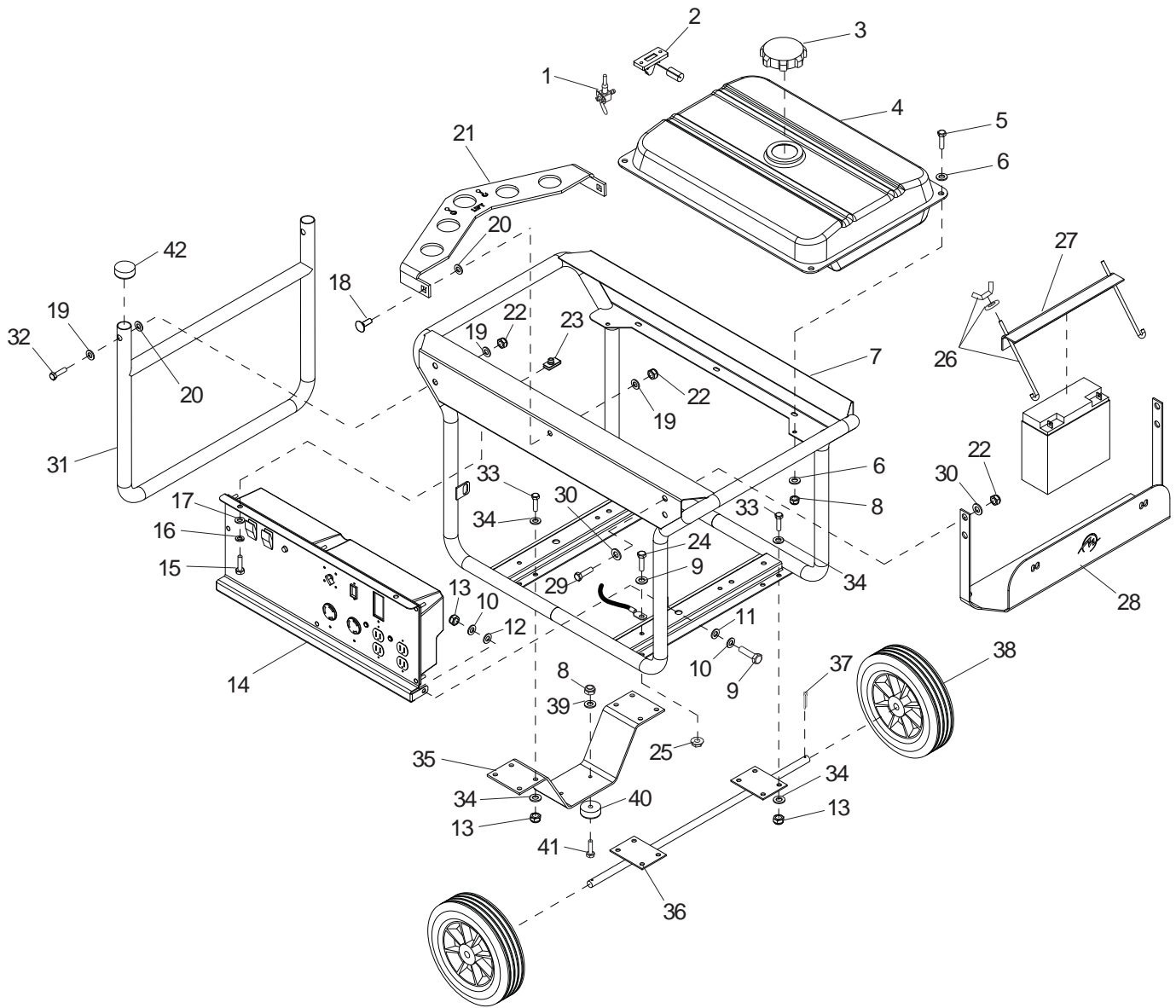


ITEM NO.	PART NO.	QTY	DESCRIPTION
1	26213	1	Panel, control - rear housing
2	24986R	1	Panel, control
3	65888	2	Receptacle, 120V/20A duplex-black
4	65878	1	Module, auto idle
5	65487	1	Receptacle, 120V/30A twist (L5-30R)
6	65488	1	Receptacle, 240V/30A twist (L14-30R)
7	65886	1	Module, GFI sensing
8	65940	1	Breaker, 23A, 240V
9	26233	1	Switch, 120V/240V
10	65873	1	Switch, rocker - on/off
11	65874	1	Switch, rocker - idle select
12	60181	4	Screw, M3-0.50X5 pan phil
13	60398	4	Screw, 10-32X.500 pan phil 316 SS
14	60161	7	Nut, .250-20 sflg G5
15	19211	1	Tether, cable - 10.50 long
16	60091	4	Screw, M4-0.70X12 pan phil G4.8
17	60051	4	Nut, M4-.70 nylock G8.8
18	60061	4	Nut, 10-32 nylk G5
19	60046	5	Screw, 6-32X.750 pan phil G2
20	60728	5	Nut, 6-32 nylk G5

OPTIONAL FEATURES:

21	65357	1	Switch, SPST momentary, manual glow plug
22	26649	1	Rectifier, electric start engines

FRAME AND FUEL TANK ASSEMBLY



ITEM NO.	PART NO.	QTY	DESCRIPTION
1	26123	1	Valve, fuel tank
2	26122	1	Gauge, fuel tank
3	28495	1	Cap, fuel tank
4	28494	1	Tank, fuel
5	60393	4	Screw, .250-20X1.000 hx hd
6	60243	9	Washer, flat .250 USS
7	24916B	1	Weldment, frame
8	60144	6	Nut, .250-20 nylock
9	60690	2	Screw, .375-16X1.000 hx hd SS
10	60698	4	Washer, flat .375 SS
11	61120	2	Spacer, shoulder-.375 ID .500 OD .750 SH
12	61088	2	Washer, .500 nylon .750/.062
13	60358	18	Nut, .375-16 nylock
14	26129	1	Assembly, control panel - 5600
	26246	1	Assembly, control panel - 5600C
	26130	1	Assembly, control panel - 5600E
	26247	1	Assembly, control panel - 5600EC
15	60028	2	Screw, .312-18X1.000 hx hd
16	60271	2	Washer, split lock .312
17	60119	2	Washer, flat .312
18	61142	2	Screw, .500-13X1.500 carriage square
19	60309	6	Washer, flat .500 SAE
20	61152	4	Washer, .500 flat .03TH nylon
21	24920B	1	Bracket, lift eye
22	60307	8	Nut, .500-13 nylock
23	61147	2	Nut, .312-18 U-clip G5 ZY long type
24	60168	1	Screw, .312-18X.750 hx hd G5
25	60095	1	Nut, .312-18 ser flg G5 case hardened
-	50380	.542 ft.	Hose, fuel - .250 ID MPG carb certified (not shown)
-	14216	2	Clamp, hose - SAE (.21-.62) miniature (not shown)

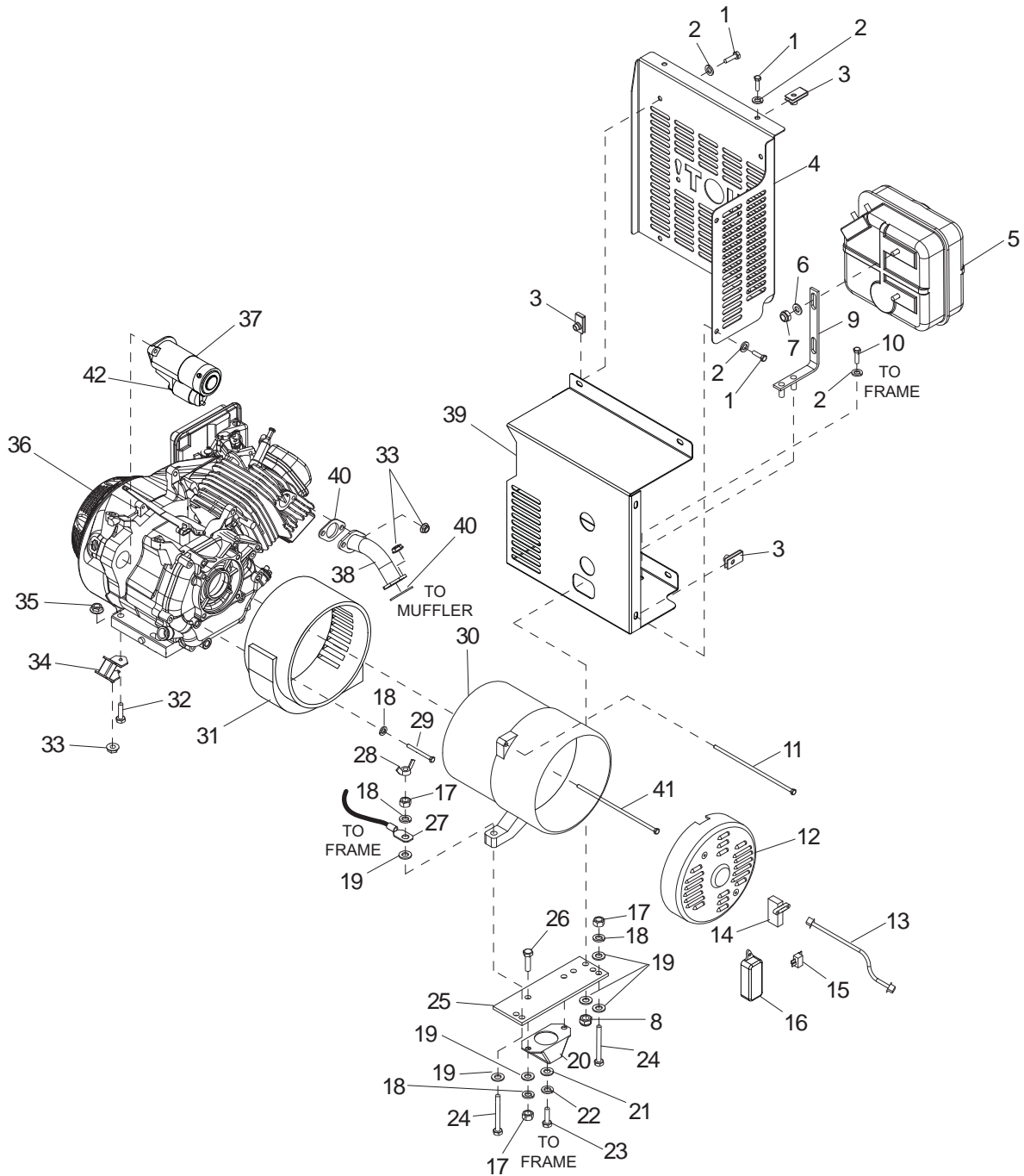
ELECTRIC START UNITS:

26	60984	2	Bolt, J - .250-20 X 7.00
27	41055B	1	Bracket, battery tie-down
28	26121B	1	Bracket, battery
29	60683	4	Screw, .500-13X1.500 hx hd SS
30	60699	8	Washer, flat .500 1.070/.080 SS

OPTIONAL FEATURES:

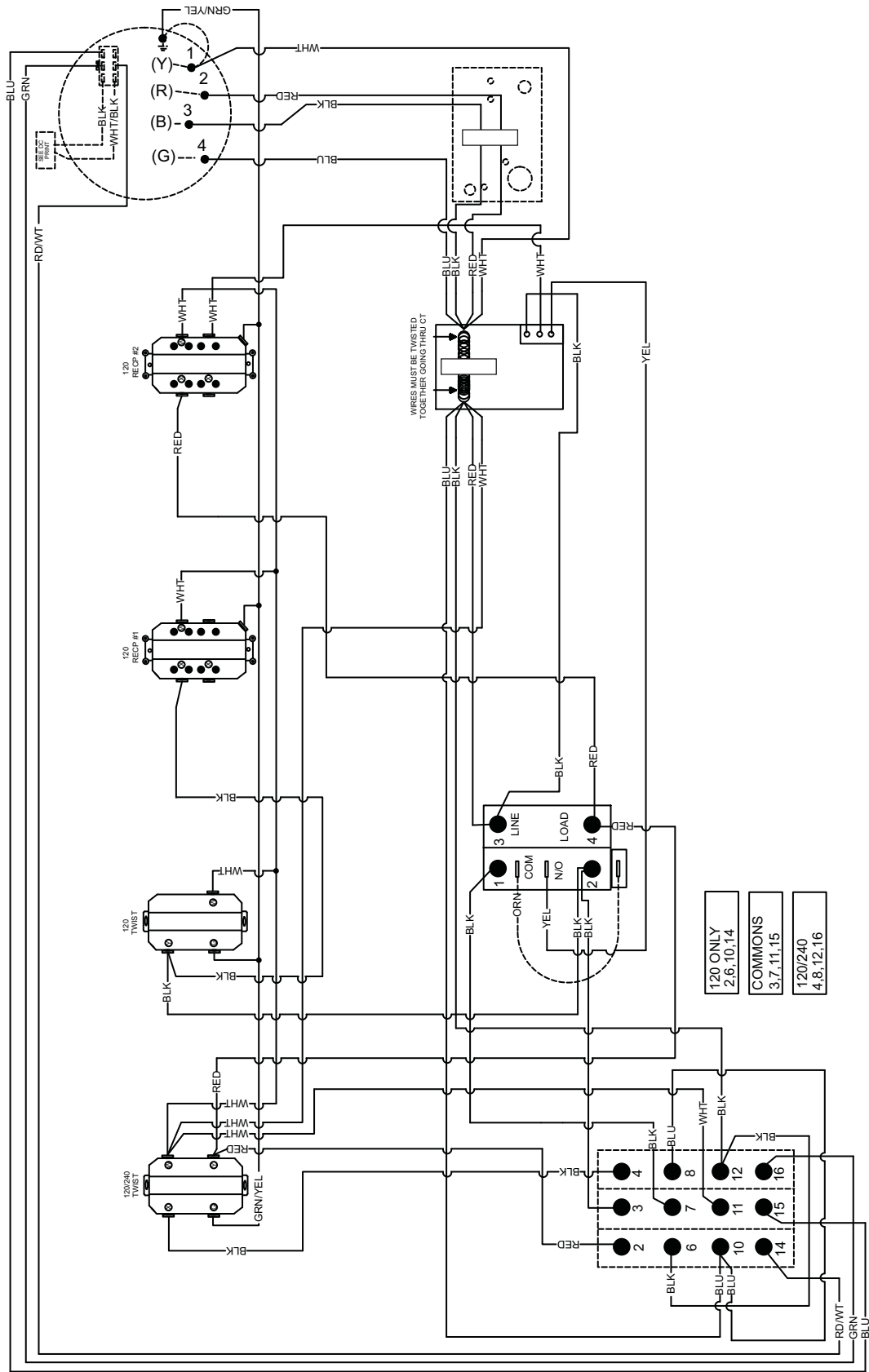
31	26088B	1	Weldment, lifting handle
32	60328	2	Screw, .500-13X2.500 hx hd G5
33	60205	16	Screw, .375-16X1.000 hx hd G5
34	60386	32	Washer, flat .375
35	26085B	1	Bracket, leg - wheel kit
36	26084B	1	Weldment, bracket - wheel kit
37	60321	2	Pin, cotter - .156X1.75
38	24998	2	Wheel, 10 in.
39	60696	2	Washer, .250 flat .625/.050 SS
40	26274	2	Isolator, rubber
41	61025	2	Screw, .250-20X1.500 hx hd SS
42	26271	2	Fitting, plug-1.000 tapered polyethylene
-	12922	2	Boot, battery cable - red (not shown)

ENGINE AND GENERATOR ASSEMBLY

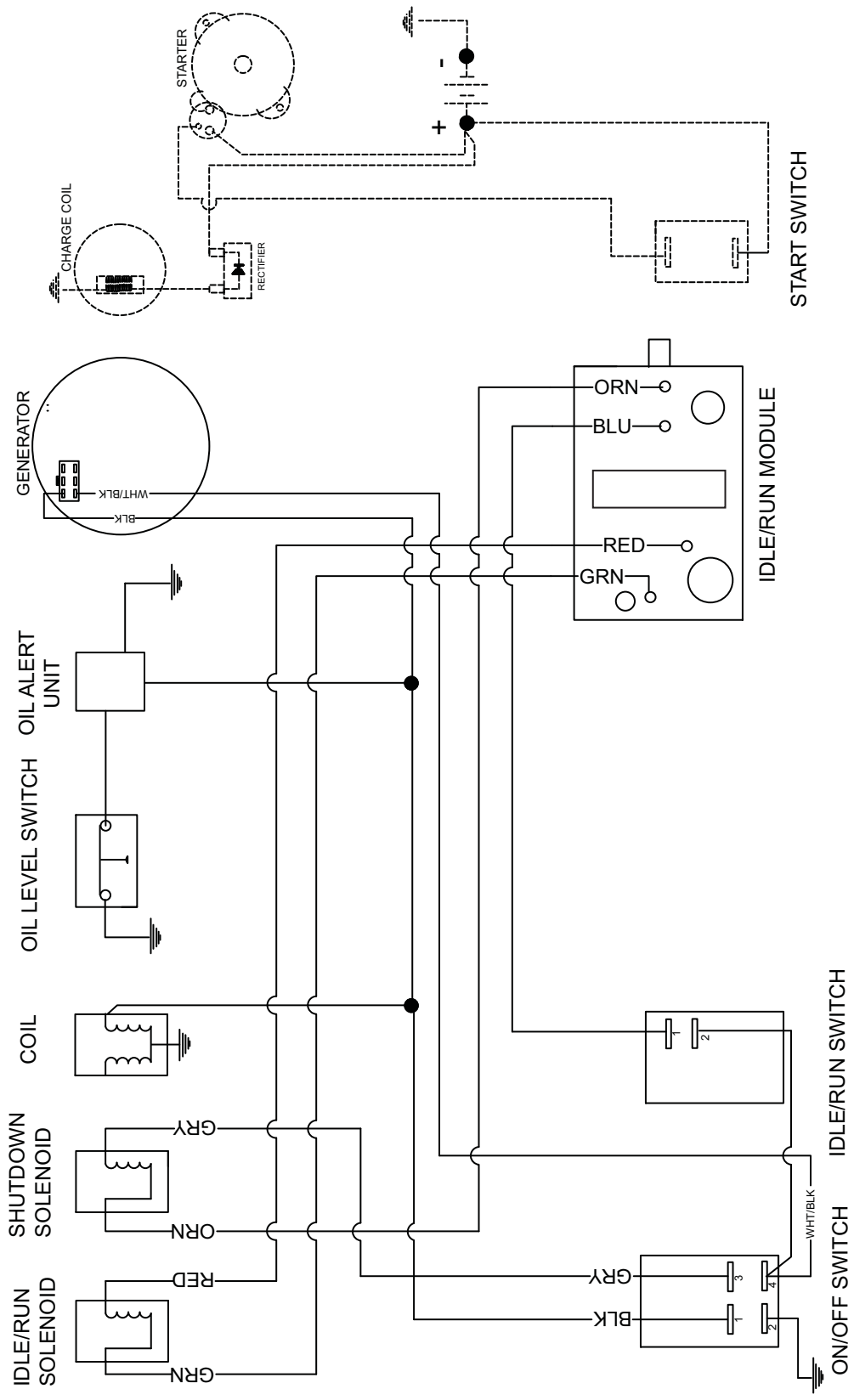


ITEM NO.	PART NO.	QTY	DESCRIPTION
1	60028	8	Screw, .312-18X1.000 hx hd
2	60271	10	Washer, split lock .312
3	61147	8	Nut, .312-18 U-clip G5 ZY long type
4	24922R	1	Muffler guard front
5	24954	1	Muffler
6	60119	2	Washer, .312 flat .875/.070
7	60020	2	Nut, M8-1.25 ser flg G8.8 lock
8	60358	2	Nut, .375-16 nylock G5
9	26114BH	1	Bracket, muffler
10	60168	2	Screw, .312-18X.750 hx hd
11	61132	4	Screw, M6 X 160
12	26416	1	Cover, rear - gen end
13	26463	1	Coupler assembly
14	26417	1	Brush holder assembly, generator
15	26418	1	Diode assembly
16	26419	1	Voltage regulator assembly
17	60140	4	Nut, .375-16 hx
18	60206	8	Washer, split lock .375
19	60386	8	Washer, flat .375
20	15241	1	Compression mount
21	60309	1	Washer, flat .500 SAE
22	60276	1	Washer, split lock .500
23	60275	1	Screw, .500-13X1.000 hx hd
24	60478	2	Screw, .375-16X2.000 hx hd G5
25	24923B	1	Bracket, mount
26	60205	2	Screw, .375-16X1.000 hx hd
27	-		Terminal, ground
28	12927	1	Nut, .375-16 wing 316 SS
29	60352	4	Screw, .375-16X1.250 hx hd
30	28490	1	Generator
31	26411	1	Housing, front
32	60972	2	Screw, .312-18X1.500 hx hd
33	60020	6	Nut, M8 ser flg lock
34	28483	2	Isolator, engine
35	60095	2	Nut, .312-18 ser flg
36	28480	1	Engine, 11 hp
	26133	1	Engine, 11 hp - Electric Start 5600
37	26609	1	Honda, starter motor unit
38	24955BH	1	Weldment, muffler pipe
39	24921B	1	Weldment, muffler guard rear
40	24988	2	Honda, gasket - exhaust GX240-390
41	61135	1	Screw, rotor 210mm
42	26939	1	Honda, solenoid - starter MPG elec strt
-	26601	1	Honda, air cleaner element (not shown)
-	26602	1	Honda, air cleaner seal (not shown)
-	26603	1	Honda, solenoid valve assembly
-	26604	1	Honda, carb gasket set (not shown)
-	26605	1	Honda, spark plug (not shown)
-	26606	1	Honda, starter return spring (not shown)
-	26608	1	Honda, recoil starter rope (not shown)

AC WIRING DIAGRAM



DC WIRING DIAGRAM



REV: C
PART NO: 26127
02.04.09