

**Operator's manual Manuel d'utilisation
Manual de instrucciones
PP 325 E**

Please read the operator's manual carefully and make sure you understand the instructions before using the machine.

Lire attentivement et bien assimiler le manuel d'utilisation avant d'utiliser la machine.

Lea detenidamente el manual de instrucciones y asegúrese de entender su contenido antes de utilizar la máquina.



US CA ES

TO PURCHASE THIS PRODUCT PLEASE CONTACT US



**Equipment Financing and
Extended Warranties Available**



**Discount-Equipment.com is your online resource for
commercial and industrial quality parts and equipment sales.**

561-964-4949

visit us on line @ www.discount-equipment.com

Select an option below to find your Equipment

Search by Manufacturer

Search by Product Type

Request a Quote

We sell worldwide for the brands: Genie, Terex, JLG, MultiQuip, Mikasa, Essick, Whiteman, Mayco, Toro Stone, Diamond Products, Generac Magnum, Airman, Haulotte, Barreto, Power Blanket, Nifty Lift, Atlas Copco, Chicago Pneumatic, Allmand, Miller Curber, Skyjack, Lull, Skytrak, Tsurumi, Husquvarna Target, Stow, Wacker, Sakai, Mi-T-M, Sullair, Basic, Dynapac, MBW, Weber, Bartell, Bennar Newman, Haulotte, Ditch Runner, Menegotti, Morrison, Contec, Buddy, Crown, Edco, Wyco, Bomag, Laymor, EZ Trench, Bil-Jax, F.S. Curtis, Gehl Pavers, Heli, Honda, ICS/PowerGrit, IHI, Partner, Imer, Clipper, MMD, Koshin, Rice, CH&E, General Equipment, Amida, Coleman, NAC, Gradall, Square Shooter, Kent, Stanley, Tamco, Toku, Hatz, Kohler, Robin, Wisconsin, Northrock, Oztec, Toker TK, Rol-Air, APT, Wylie, Ingersoll Rand / Doosan, Innovatech, Con X, Ammann, Mecalac, Makinex, Smith Surface Prep, Small Line, Wanco, Yanmar

KEY TO SYMBOLS

Symbols on the machine

WARNING! The machine can be a dangerous tool if used incorrectly or carelessly, which can cause serious or fatal injury to the operator or others.

Please read the operator's manual carefully and make sure you understand the instructions before using the machine.

Always wear:

- Approved protective helmet
- Approved hearing protection
- Protective goggles or a visor
- Breathing mask

WARNING! Live parts.

Environmental marking.

Symbols on the product or its packaging indicate that this product cannot be handled as domestic waste. It must instead be submitted to an appropriate recycling station for the recovery of electrical and electronic equipment.

By ensuring that this product is taken care of correctly, you can help to counteract the potential negative impact on the environment and people that can otherwise result through the incorrect waste management of this product.



Explanation of warning levels

The warnings are graded in three levels.

WARNING!



WARNING! Used if there is a risk of serious injury or death for the operator or damage to the surroundings if the instructions in the manual are not followed.

CAUTION!



CAUTION! Used if there is a risk of injury to the operator or damage to the surroundings if the instructions in the manual are not followed.

NOTICE!

NOTICE! Used if there is a risk of damage to materials or the machine if the instructions in the manual are not followed.

CONTENTS

Contents

KEY TO SYMBOLS

Symbols on the machine	2
Explanation of warning levels	2

CONTENTS

Contents	3
Note the following before starting:	3

WHAT IS WHAT?

What is what on the hydraulic unit?	4
---	---

SAFETY INSTRUCTIONS

Steps before using a new hydraulic unit	5
Personal protective equipment	5
Machine's safety equipment	6
General safety precautions	6
General working instructions	7

ASSEMBLING AND ADJUSTMENTS

Check the oil level	8
Check the air pressure in the tyres	8
Connect the hydraulic hoses.	8
Connect water cooling	8
Connect a power source	9

STARTING AND STOPPING

Before starting	10
Starting	10
Stopping	10
After work is completed	10

MAINTENANCE

Service	11
Maintenance	11

TECHNICAL DATA

PP 325 E	13
----------------	----

US WARRANTY STATEMENT

WARRANTY POLICY	14
EQUIPMENT	14

Note the following before starting:



WARNING! Cutting, especially when DRY cutting, generates dust that comes from the material being cut, which frequently contains silica. Silica is a basic component of sand, quartz, brick clay, granite and numerous other minerals and rocks. Exposure to excessive amount of such dust can cause:

Respiratory disease (affecting your ability to breath), including chronic bronchitis, silicosis and pulmonary fibrosis from exposure to silica. These diseases may be fatal;

Skin irritation and rash.

Cancer according to NTP* and IARC* */ National Toxicology Program, International Agency for Research on Cancer

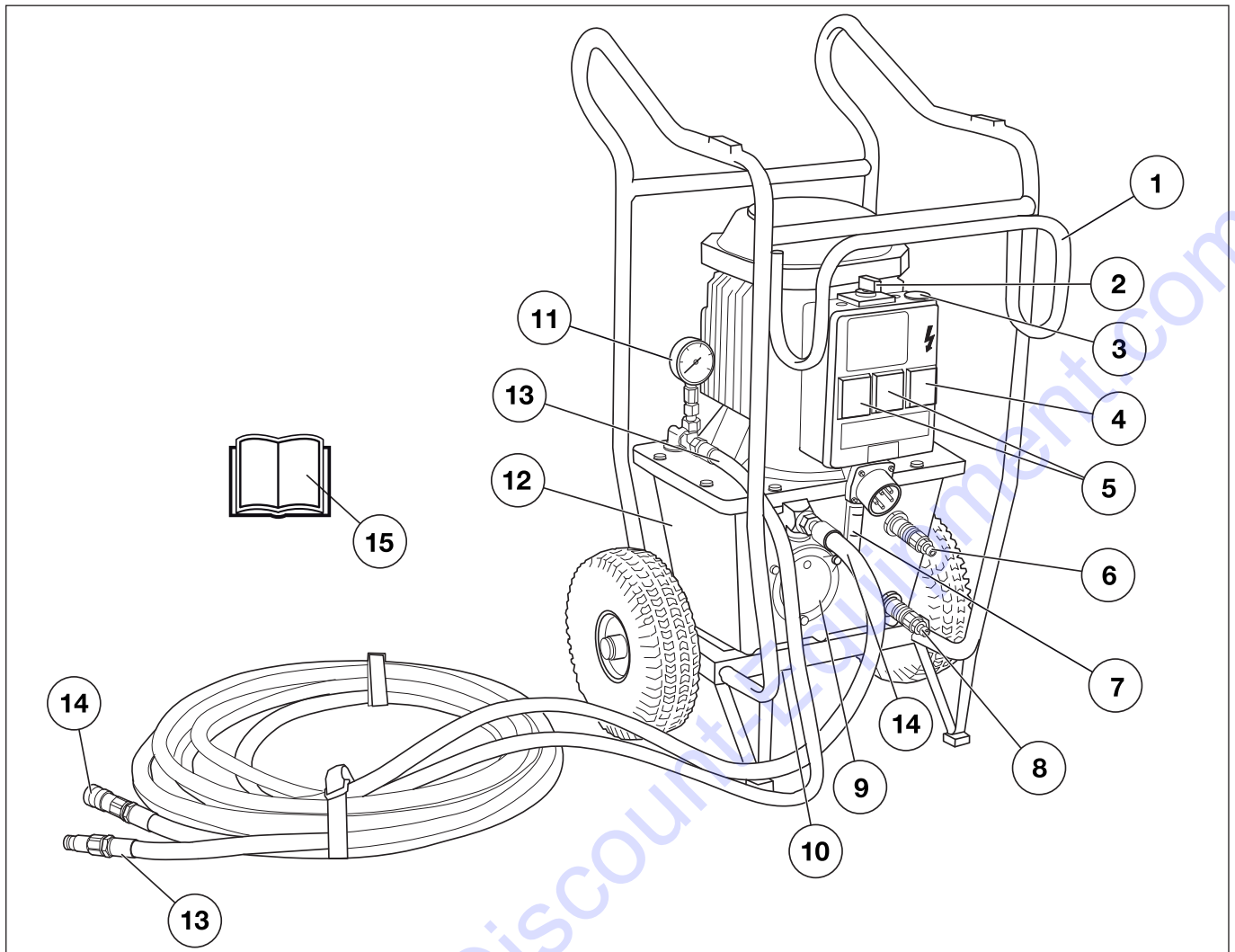
Take precautionary steps:

Avoid inhalation of and skin contact with dust, mist and fumes.

Wear and ensure that all bystanders wear appropriate respiratory protection such as dust masks designed to filter out microscopic particles. (See OSHA 29 CFR Part 1910.1200)

Wet cut when feasible, to minimize dust.

WHAT IS WHAT?



What is what on the hydraulic unit?

- | | | | |
|---|---|----|---------------------------------------|
| 1 | Frame for hydraulic hose | 8 | Connection for incoming cooling water |
| 2 | Switch | 9 | Hydraulic oil filter |
| 3 | Emergency stop | 10 | Drain plug |
| 4 | Residual Current Circuit Breaker with Overcurrent Protection (Only on 5-pin machines) | 11 | Hydraulic pressure gauge |
| 5 | Wall socket 2x230 V (Only on 5-pin machines.) | 12 | Hydraulic oil tank |
| 6 | Connection for outgoing cooling water | 13 | Hydraulic hose, pressure OUT |
| 7 | Sight gauge | 14 | Hydraulic hose, return IN |
| | | 15 | Operator's manual |

SAFETY INSTRUCTIONS

Steps before using a new hydraulic unit

- Please read the operator's manual carefully and make sure you understand the instructions before using the machine.
- This machine is primarily intended for WS 325, DM 406 H, HS 170 and HH 170, but is also highly suitable as power source for other equipment, e.g. Husqvarna ring saw.
- Read through the manual supplied with the hydraulic tool before starting to use the machine.
- The machine can cause serious personal injury. Read the safety instructions carefully. Learn how to use the machine.

Always use common sense

It is not possible to cover every conceivable situation you can face. Always exercise care and use your common sense. Avoid all situations which you consider to be beyond your capability. If you still feel uncertain about operating procedures after reading these instructions, you should consult an expert before continuing.

Do not hesitate to contact Discount-equipment if you have any more questions about the use of the machine. We will willingly be of service and provide you with advice as well as help you to use your machine both efficiently and safely .

Let Discount-equipment regularly check the machine and make essential adjustments and repairs.

All information and all data in the Operator's Manual were applicable at the time the Operator's Manual was sent to print.



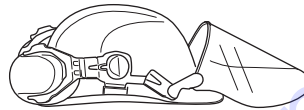
WARNING! Under no circumstances should you modify the original design of the machine without approval from the manufacturer. Always use original spare parts. Unauthorized modifications and/or accessories may lead to serious injury or death to the user or others.

Personal protective equipment

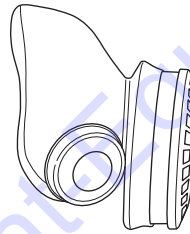


WARNING! You must use approved personal protective equipment whenever you use the machine. Personal protective equipment cannot eliminate the risk of injury but it will reduce the degree of injury if an accident does happen. Ask your dealer for help in choosing the right equipment.

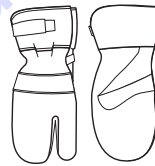
- Protective helmet
- Hearing protection
- Protective goggles or a visor



- Breathing mask



- Heavy-duty, firm grip gloves.



- Tight-fitting, heavy-duty and comfortable clothing that permits full freedom of movement.



- Boots with steel toe-caps and non-slip sole



- Always have a first aid kit nearby.



SAFETY INSTRUCTIONS

Machine's safety equipment



This section describes the machine's safety equipment, its purpose, and how checks and maintenance should be carried out to ensure that it operates correctly. See the "What is what?" section to locate where this equipment is positioned on your machine.



WARNING! Never use a machine that has faulty safety equipment!

All servicing and repair work on the machine requires special training. This is especially true of the machine's safety equipment. If your machine fails any of the checks described below you must contact Discount-equipment. When you buy any of our products we guarantee the availability of professional repairs and service. If the retailer who sells your machine is not a servicing dealer, ask him for the address of your nearest service agent.

Emergency stop

The emergency stop at the machine breaks the mains power supply.

Testing the emergency stop

- Make sure that the hydraulic hoses are connected to each other.
- Start the machine.
- Press the emergency stop and check that the engine stops.

General safety precautions

Do not use the machine without first reading and understanding the contents of this Operator's Manual.



WARNING! There is always a risk of shocks from electrically powered machines. Avoid unfavourable weather conditions and body contact with lightning conductors and metal objects. Always follow the instructions in the Operator's manual to avoid damage.

- Never use the machine if you are tired, if you have drunk alcohol, or if you are taking medication that could affect your vision, your judgement or your co-ordination.
- Wear personal protective equipment. See instructions under the heading "Personal protective equipment".
- Never pull out the plug by pulling the cord.
- Keep all cords and extension cords away from water, oil and sharp edges. Make sure the cord is not pinched in doors, fences or the like. Otherwise it can cause the object to become live.

- Check that the cord and extension cord are intact and in good condition.
- Never use the machine if the cord is damaged, hand it in to an authorized service workshop for repair.
- To avoid overheating do not use the extension cord while it is rolled up.
- The machine should be connected to an earthed outlet socket.
- Check that the mains voltage corresponds with that stated on the rating plate on the machine.
- Always switch off the power to the hydraulic unit and pull out the electric cable before moving the equipment.
- Keep all parts in good working order and ensure that all fixtures are properly tightened.
- Never use a machine that is faulty. Carry out the safety checks, maintenance and service instructions described in this manual. Some maintenance and service measures must be carried out by trained and qualified specialists. See instructions under the heading Maintenance.
- Do not modify safety equipment. Check regularly that they function as they should. The machine must not be run with defective or disassembled safety equipment.
- Never allow anyone else to use the machine without first ensuring that they have read and understood the contents of the operator's manual.
- People and animals can distract you causing you to lose control of the machine. For this reason, always remain concentrated and focused on the task.
- Make sure no unauthorised persons are in the working area, otherwise there is a risk of serious personal injury.
- Be careful as clothing, long hair, and jewellery can get caught in moving parts.
- Observe care when lifting. You are handling heavy parts, which imply the risk of pinch injuries or other injuries.

Transport and storage

- Always switch off the power to the hydraulic unit and pull out the electric cable before moving the equipment.
- If there is a risk of freezing, the machine must be drained of any remaining water coolant.
- The power pack is constructed as a wheeled cart with the possibility of hanging hydraulic hoses for simple transportation at the workplace.
- For transportation between workplaces, the power pack should be stored in vertical position with the distribution box facing upwards.
- Store the equipment in a lockable area so that it is out of reach of children and unauthorized persons.

SAFETY INSTRUCTIONS

General working instructions



WARNING! This section describes basic safety directions for using the machine. This information is never a substitute for professional skills and experience. If you get into a situation where you feel unsafe, stop and seek expert advice. Contact Discount-equipment. Do not attempt any task that you feel unsure of!

- All operators shall be trained in the use of the machine. The owner is responsible for ensuring that the operators receive training.
- Check that all couplings, connections and hydraulic hoses are in full working order.
- Keep the hydraulic hoses and couplings free from dirt.
- Do not misuse hoses.
- Do not use hoses that are distorted, worn or damaged.
- Make sure that all hoses and electrical cables are connected to the machine correctly before you start the machine.
- Check that the hoses are connected correctly to the machine and that the hydraulic couplings lock as intended before pressurising the hydraulic system. The couplings are locked by turning the outer sleeve on the female coupling so that the slot moves away from the ball.
The pressure hoses in the system must always be connected to the tool's intake. The return hoses in the system must always go to the tool's outlet. Confusing the connections can cause the tool to work in reverse, which can result in personal injury.
- Never use the hydraulic hoses to lift the machine.
- Check the machine, couplings and hydraulic hoses daily for leakage. A rupture or leak can cause a "hydraulic oil injection" in the body or result in other serious physical injury.
- Never disconnect the hydraulic hoses without first shutting off and disconnecting the hydraulic unit and ensuring the motors have stopped completely.
- If an emergency situation should arise anyway, push the red emergency stop button on the power pack.
- Do not exceed the specified hydraulic oil flow or pressure for the tool being used. Excessive pressure or flow can result in rupturing.
- Do not check for leakage with your hands. Contact with the leak can result in serious personal injury caused by the high pressure in the hydraulic system.
- Check the power supply and the power cables and make sure that they are not damaged.
- Working close to power lines:
Hoses that are marked and approved as electrically non conductive must be used when using hydraulic tools on or in the vicinity of electrical cables. The use of other types of hoses can result in serious physical injury or even death.

When replacing hoses, hoses marked 'non-conducting dielectric' must be used. The hoses must be regularly checked for their electrical conductive insulation in accordance with special instructions.

- Working close to gas conduits:
Always check and mark out where gas pipes are routed. Cutting close to gas pipes always entails danger. Make sure that sparks are not caused when cutting in view of the risk of explosion. Remain concentrated and focused on the task. Carelessness can result in serious personal injury or death.
- Run the hydraulic system until it reaches its operation temperature of 30°C before starting to saw, to reduce return pressure and other wear.
- Never leave the machine unsupervised with the motor running.
- Always saw in a manner that permits easy access to the emergency stop.
- Make sure that there is always another person close at hand when you use the machines, so that you can call for help if an accident should occur.
- People that need to be in close proximity of the machine must wear hearing protection as the sound level when cutting exceeds 85 dB(A).
- Do not use the machine in bad weather, such as dense fog, rain, strong wind, intense cold, etc. Working in bad weather is tiring and can lead to dangerous conditions, e.g. slippery surfaces.
- Ensure that the working area is sufficiently illuminated to create a safe working environment.
- Always ensure you have a safe and stable working position.
- Observe care when lifting. You are handling heavy parts, which imply the risk of pinch injuries or other injuries.

ASSEMBLING AND ADJUSTMENTS

Check the oil level

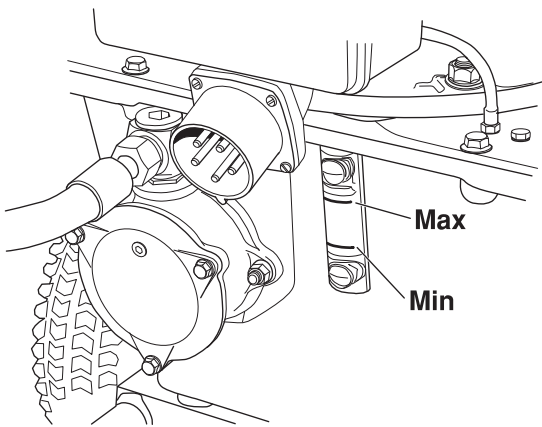
The power pack is supplied with 12 litres of hydraulic oil 466 cSt HSH of a well-known brand. The oil is an environmentally adapted and SP approved ester oil that will drastically reduce the risk of allergic reaction or skin irritation upon contact. In addition, the oil is quickly degradable in case of unintentional release.

- Check the hydraulic oil level in the power pack. This is checked with the level indicator.

Min. level = red line

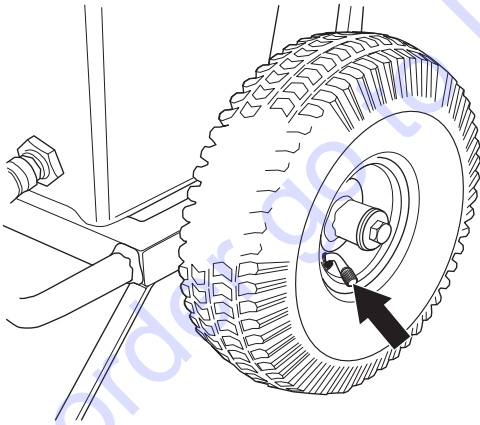
Max. level = black line

Do not exceed the max. level when filling the tank with hydraulic oil. The hydraulic oil expands when it gets hot and can overflow if the level is too high. Tank volume 12 l (3.2 US gallons).



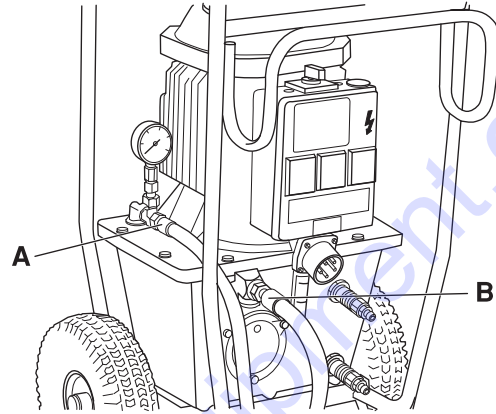
Check the air pressure in the tyres

- Check the air pressure in the tyres. This should be 2 bar.



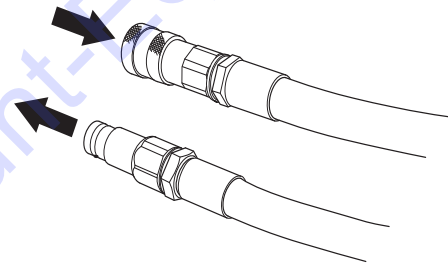
Connect the hydraulic hoses.

- The couplings should be wiped clean to reduce the risk of leakage before the hoses are fitted.
- The couplings are locked by turning the outer sleeve on the female coupling so that the slot moves away from the ball.



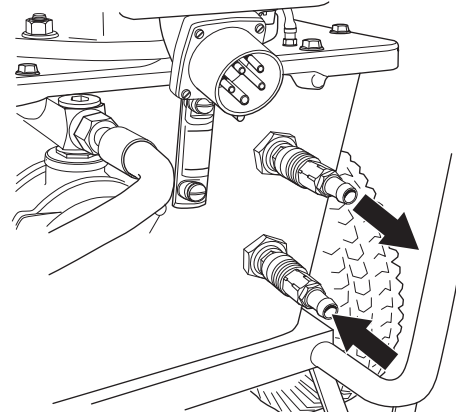
Hydraulic hose, return IN (B)

Hydraulic hose, pressure OUT (A)



Connect water cooling

- Connect a water hose between the upper cooling connection on the hydraulic oil tank and the working tool, and also a hose from the closest hydrant via a tap to the lower cooling connection on the tank.



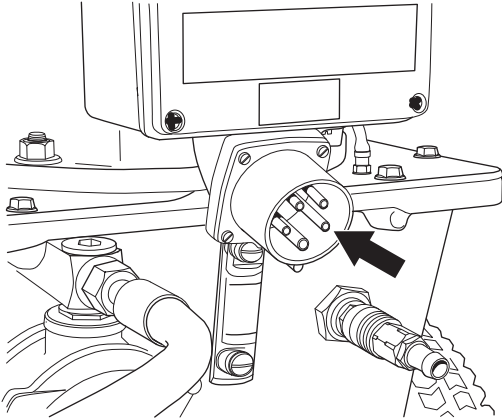
- If no tool requiring water is used, just let the cooling water flow to the closest floor drain.

ASSEMBLING AND ADJUSTMENTS

Connect a power source

IMPORTANT! Check that the mains voltage corresponds with that stated on the rating plate on the machine.

- Connect the incoming power cable. The cable must have three phases and grounding. Neutral should also be available as the single phase sockets on the distribution box will not work otherwise. (Only on 5-pin machines)



- The single phase sockets are protected with a 16 A residual current circuit breaker with overcurrent protection (C type). Following the connection on incoming current, the single phase sockets can be used for e.g. a drilling machine, water suction apparatus, etc.

To order go to Discount-Equipment.com

STARTING AND STOPPING

Before starting

Make sure that:

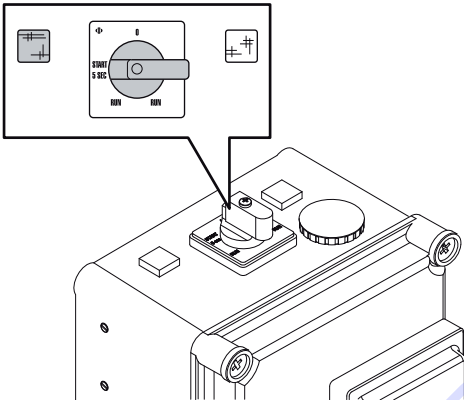
- The machine is correctly connected to a suitable power supply and correctly fused.
- The hoses have been connected to a device.

Starting

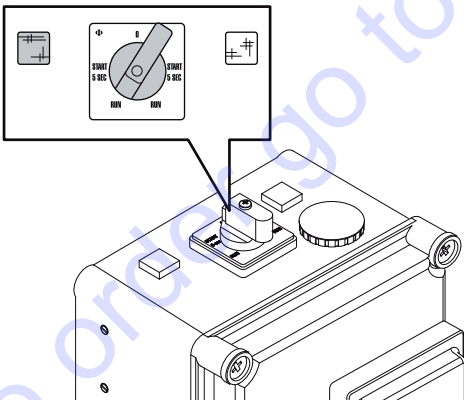
NOTICE! When starting, the switch must only be turned to "START 5 SEC" for about 5 seconds. The switch is then turned to "RUN". The engine may be damaged if the switch is in the "START 5 SEC" position too long or when operated.

The engine is started with a Y/D switch. The start takes place in two steps to avoid overloading the fuse the machine is connected to.

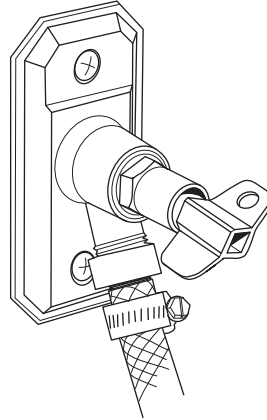
- Turn the switch to "START 5 SEC" in the direction indicated by the lit lamp. The direction of rotation of the engine will then be correct.



- Turn the switch to "RUN" when the engine speed is constant after about 5 seconds.



- Open the tap to suitable water flow for the tool in question.



If the tool does not require water, cooling water should still flow through the radiator, and then to the closest floor drain.

Stopping

Switch off by turning the switch to "0".

After work is completed

- Disconnect the hydraulic hoses.
- If there is a risk of freezing, the machine must be drained of any remaining water coolant. Disconnect incoming and outgoing water hoses and tilt the machine forwards.

MAINTENANCE

Service



IMPORTANT! All types of repairs may only be carried out by authorised repairmen. This is so that the operators are not exposed to great risks.

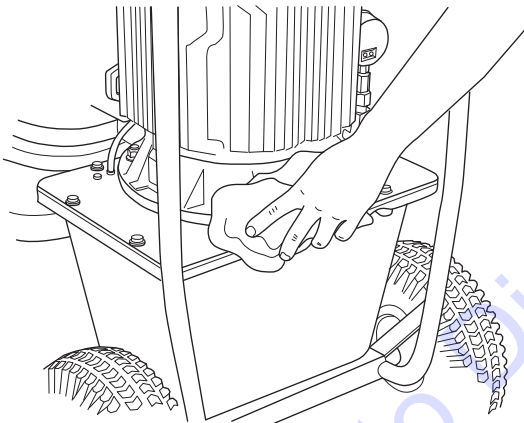
Maintenance



IMPORTANT! Inspection and/or maintenance should be carried out with the motor switched off and the plug disconnected.

Cleaning

Make sure to keep the connectors and pins clean. Clean with a rag or brush.



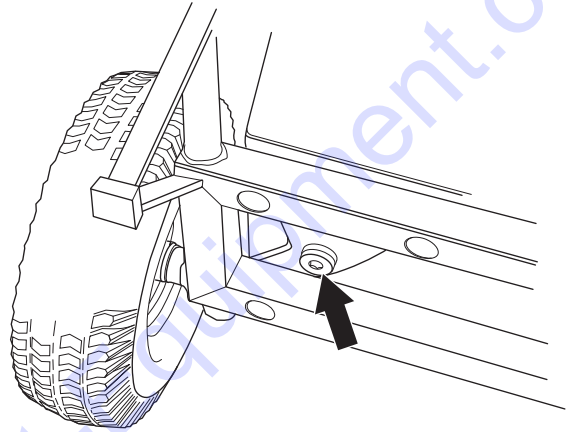
CAUTION! Do not use a high pressure washer to clean the power pack. Do not wash the machine with water, as water can enter the electrical system or the engine and cause damage to the machine or short circuit.

Hydraulic oil

IMPORTANT! Changing liquids and filters must be done in such a way that the machine's hydraulic system and the surrounding environment are not damaged. Dispose of residual products according to local laws.

The hydraulic oil should be replaced when needed or once a year.

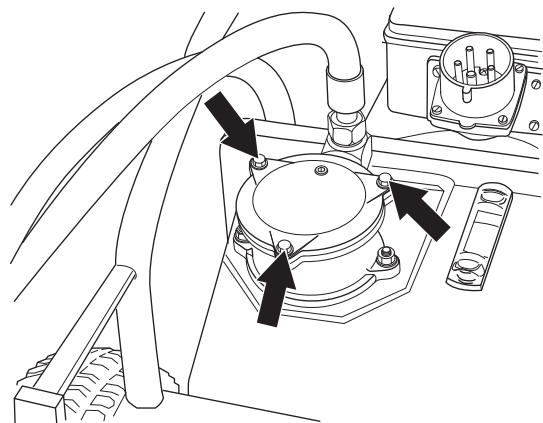
- Place a collecting vessel under the tank's drain plug and open the plug.



- Screw on the drain plug when all the liquid has drained out.

Hydraulic oil is refilled through the filter on the front of the tank.

- Lay the power pack down with the filter housing facing upwards.
- Remove the cover of the filter housing by removing the three screws.



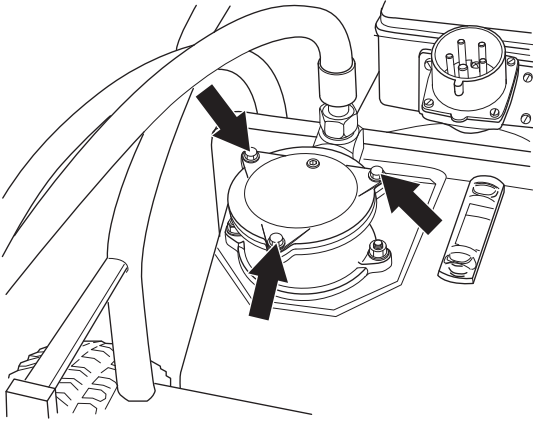
- Refill hydraulic oil through the filter element.
- Mount the filter housing cover.
- If also the oil filter is replaced, 12 l new hydraulic oil should be filled.

MAINTENANCE

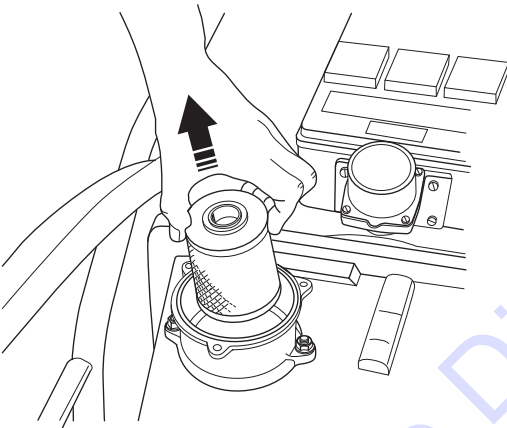
Hydraulic oil filter

The filter should be replaced twice a year.

- Lay the power pack down with the filter housing facing upwards.
- Remove the cover of the filter housing by removing the three screws.



- Lift up the filter element.



- Push the new filter in place over the sleeve coupling in the bottom of the filter housing.
- Mount the filter housing cover.

Tightening torque

When performing repair and maintenance work that include demounting and subsequent mounting and tightening of screws, the following torque should be used:

- M6: 10 Nm
- M8: 25 Nm
- M10: 50 Nm

Daily maintenance

Regularly check:

- The hydraulic oil level in the hydraulic power unit, to make sure it lies between the marks on the sight gauge.
- Check the tire pressures.
- Any abnormal noises.

TECHNICAL DATA

PP 325 E

Specified hydraulic output, kW/hp	9,3/12,6
Hydraulic oil flow, l/min / gpm	40/8,8
Hydraulic oil tank, l/gal	12/2,6
Cooling	Water cooling
Size, (LxWxH), mm/inch	575x1040x780/22,6x40,9x30,7
Weight, kg/lbs	93/205
Max. working pressure, bar / psi	140/2031
Hose length (1/2" hose), mm/inch	8/315 (When hoses are extended beyond standard length, 5/8" hose is recommended.)
Power supply	
Check that the mains voltage corresponds with that stated on the rating plate on the machine.	
200 V	50 Hz
200 V	60 Hz
230/400 V	50 Hz
230 V	60 Hz
400 V	50 Hz
440 V	50 Hz
575 V	60 Hz
Wall socket	2x230 V (Only on 5-pin machines.)

- of June 08, 2011 on the 'restriction of use of certain hazardous substances' **2011/65/EU**

EXPLICATION DES SYMBOLES

Symboles sur la machine

AVERTISSEMENT! La machine utilisée de manière imprudente ou inadéquate peut devenir un outil dangereux, pouvant causer des blessures graves voire mortelles à l'utilisateur et aux autres personnes présentes.



Lire attentivement et bien assimiler le manuel d'utilisation avant d'utiliser la machine.



Toujours utiliser:

- Casque de protection homologué
- Protecteurs d'oreilles homologués
- Lunettes protectrices ou visière
- Masque respiratoire



AVERTISSEMENT! Courant élevé.



Marquage environnemental.

Ce symbole figurant sur le produit ou sur son emballage indique que ce produit ne peut pas être traité comme déchet ménager. Il doit être collecté et amené à une installation de récupération appropriée de déchets d'équipements électriques et électroniques.



En veillant à ce que ce produit soit correctement éliminé, vous pouvez contribuer à prévenir les conséquences négatives potentielles sur l'environnement et les hommes, qui pourraient sinon être le résultat d'un traitement incorrect des déchets de ce produit.

Pour des informations plus détaillées sur le recyclage de ce produit, contactez votre commune ou le magasin où vous avez acheté le produit.

Explication des niveaux d'avertissement

Il existe trois niveaux d'avertissement.

AVERTISSEMENT!



AVERTISSEMENT! Symbole utilisé en cas de risque de blessures très graves ou de mort pour l'utilisateur ou de dommages pour les environs si les instructions du manuel ne sont pas suivies.

REMARQUE !



REMARQUE ! Symbole utilisé en cas de risque de blessures pour l'utilisateur ou de dommages pour les environs si les instructions du manuel ne sont pas suivies.

ATTENTION !

ATTENTION ! Symbole utilisé en cas de risque de dommages pour les matériaux ou la machine si les instructions du manuel ne sont pas suivies.

SOMMAIRE

Sommaire

EXPLICATION DES SYMBOLES

Symboles sur la machine	15
Explication des niveaux d'avertissement	15

SOMMAIRE

Sommaire	16
Contrôler les points suivants avant la mise en marche:	16

QUELS SONT LES COMPOSANTS?

Les composantes d'un groupe hydraulique	17
---	----

INSTRUCTIONS DE SÉCURITÉ

Avant d'utiliser un nouveau groupe hydraulique	18
Équipement de protection personnelle	18
Équipement de sécurité de la machine	19
Instructions générales de sécurité	19
Méthodes de travail	20

MONTAGE ET RÉGLAGES

Contrôler le niveau d'huile	21
Vérifiez la pression d'air dans les pneus.	21
Branchez les tuyaux hydrauliques.	21
Raccordez l'eau de refroidissement	21
Branchez une source électrique	22

DÉMARRAGE ET ARRÊT

Avant le démarrage	23
Démarrage	23
Arrêt	23
Après le travail	23

ENTRETIEN

Service	24
Entretien	24

CARACTÉRISTIQUES TECHNIQUES

PP 325 E	26
----------------	----

DECLARATION DE GARANTIE ETATS-UNIS

POLITIQUE DE GARANTIE	27
EQUIPEMENT	27

Contrôler les points suivants avant

la mise en marche:



AVERTISSEMENT! La découpe, particulièrement la découpe à SEC soulève la poussière générée par le matériau coupé qui contient souvent de la silice. La silice est composée de sable, de quarts d'argile, de granit et de nombreuses autres substances minérales et rocheuses. L'exposition à une quantité excessive d'une telle poussière peut causer:

Des maladies respiratoires (altérant les facultés respiratoires), y compris bronchites chroniques, silicose et fibrose pulmonaire dues à une exposition à la silice. Ces maladies peuvent être fatales;

Irritation cutanée et démangeaisons.

Des cancers selon NTP* et IARC* */ National Toxicology Program, International Agency for Research on Cancer

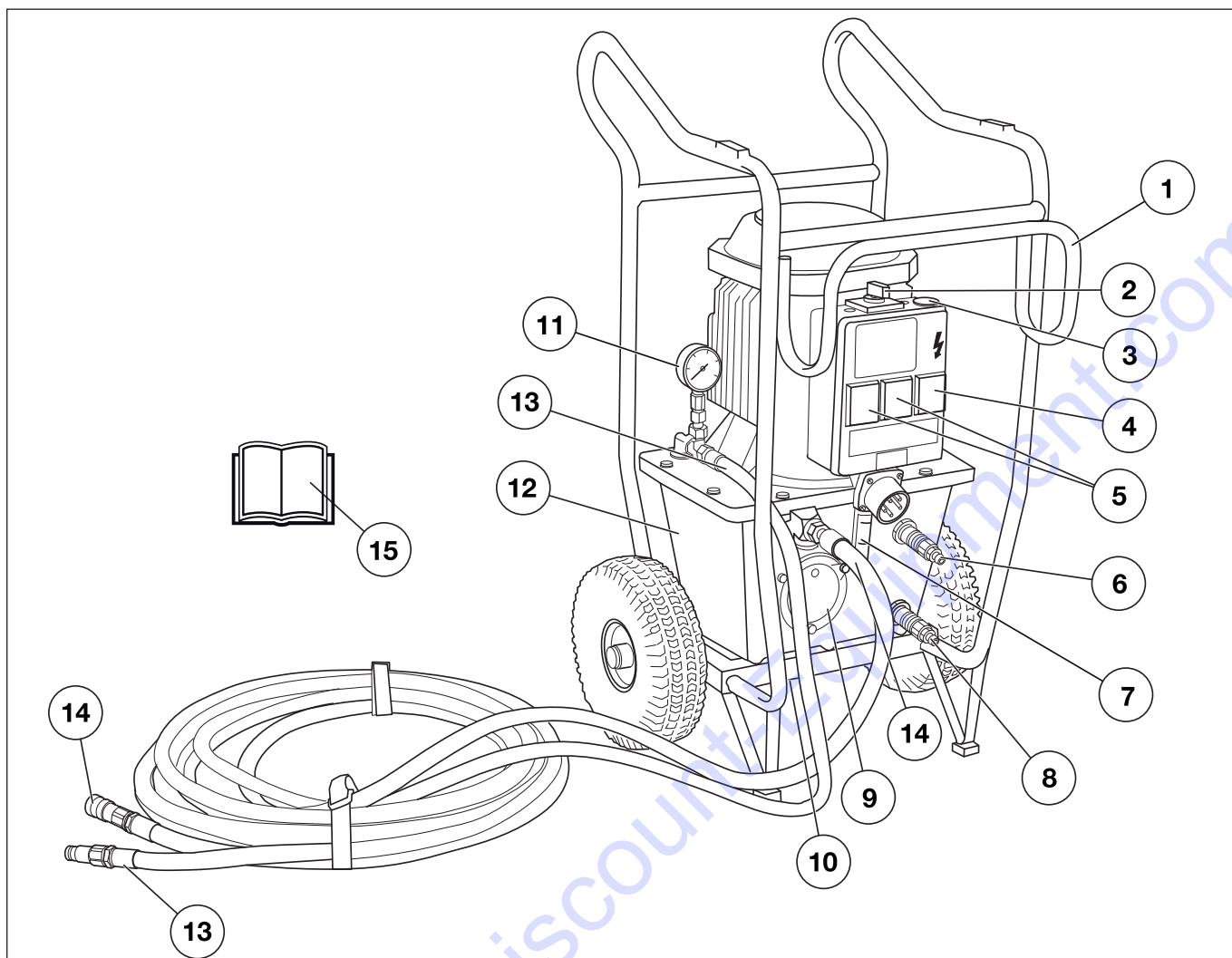
Prendre des mesures préventives:

Éviter l'inhalation et le contact avec la peau de la poussière, des vapeurs et des fumées.

L'utilisateur et les personnes présentes sur le site doivent porter des protections respiratoires appropriées telles que des masques spécialement prévus pour filtrer les particules microscopiques. (Voir OSHA 29 CFR Partie 1910.1200)

Couper si possible en utilisant le jet d'eau afin de réduire la poussière dispersée.

QUELS SONT LES COMPOSANTS?



Les composantes d'un groupe hydraulique

- | | |
|---|---|
| 1 Cadre pour tuyau hydraulique | 8 Raccordement pour entrée d'eau de refroidissement |
| 2 Interrupteur | 9 Filtre d'huile hydraulique |
| 3 Arrêt d'urgence | 10 Bouchon de vidange |
| 4 Coupe-circuit de courant résiduel avec protection de surintensité (Uniquement sur les machines 5 broches) | 11 Jauge de pression hydraulique |
| 5 Prise de courant murale 2x230 V (Uniquement sur les machines 5 broches.) | 12 Réservoir à essence hydraulique |
| 6 Raccordement pour sortie d'eau de refroidissement | 13 Tuyau hydraulique, SORTIE de pression |
| 7 Jauge visuelle | 14 Tuyau hydraulique, RETOUR de pression |
| | 15 Manuel d'utilisation |

INSTRUCTIONS DE SÉCURITÉ

Avant d'utiliser un nouveau groupe hydraulique

- Lire attentivement et bien assimiler le manuel d'utilisation avant d'utiliser la machine.
- La machine est principalement destinée aux WS 325, DM 406 H, HS 170 et HH 170, mais convient également très bien comme source électrique pour d'autres équipements, tels que la scie circulaire Husqvarna.
- Il convient de parcourir le manuel fourni avec le groupe hydraulique avant de commencer à utiliser la machine.
- La machine peut provoquer des blessures personnelles graves. Lire attentivement les consignes de sécurité. Apprendre à bien utiliser la machine.

Utilisez toujours votre bon sens

Il est impossible de mentionner toutes les situations auxquelles vous pouvez être confronté. Soyez toujours vigilant et utilisez l'appareil avec bon sens. Évitez toutes les situations pour lesquelles vous ne vous estimez pas suffisamment qualifié. Si, après avoir lu ces instructions, vous ne vous sentez toujours pas à l'aise quant à la manière de procéder, il convient de consulter un expert avant de poursuivre.

N'hésitez pas à prendre contact avec votre revendeur si vous avez des questions sur l'utilisation de la machine. Nous sommes à votre disposition et vous conseillerons avec plaisir pour vous aider à utiliser votre machine en toute sécurité et de façon efficace.

Faites régulièrement contrôler la machine par votre revendeur Husqvarna afin qu'il procède aux installations et réparations adéquates.

Toutes les informations et toutes les données indiquées dans ce manuel d'utilisation étaient valables à la date à laquelle ce manuel a été porté à l'impression.



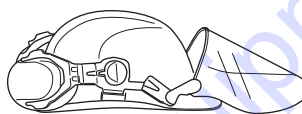
AVERTISSEMENT! Ne jamais modifier, sous aucun prétexte, la construction initiale de la machine sans l'autorisation du fabricant. N'utiliser que des accessoires et des pièces d'origine. Toute modification non autorisée et/ou tout emploi d'accessoires non homologués peuvent provoquer des accidents graves voire mortels pour l'utilisateur et les autres.

Équipement de protection personnelle

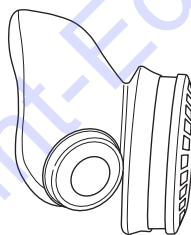


AVERTISSEMENT! Un équipement de protection personnelle homologué doit impérativement être utilisé lors de tout travail avec la machine. L'équipement de protection personnelle n'élimine pas les risques mais réduit la gravité des blessures en cas d'accident. Demander conseil au concessionnaire afin de choisir un équipement adéquat.

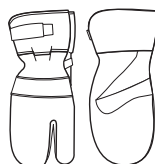
- Casque de protection
- Protecteur d'oreilles
- Lunettes protectrices ou visière



- Masque respiratoire



- Gants solides permettant une prise sûre.



- Vêtements confortables, robustes et serrés qui permettent une liberté totale de mouvement.



- Bottes avec coquille en acier et semelle antidérapante



- Une trousse de premiers secours doit toujours être disponible.



INSTRUCTIONS DE SÉCURITÉ

Équipement de sécurité de la machine



Ce chapitre présente les équipements de sécurité de la machine, leur fonction, comment les utiliser et les maintenir en bon état. Voir au chapitre Quels sont les composants? pour trouver leur emplacement sur la machine.



AVERTISSEMENT! Ne jamais utiliser une machine dont les équipements de sécurité sont défectueux.

L'entretien et la réparation de la machine exigent une formation spéciale. Ceci concerne particulièrement l'équipement de sécurité de la machine. Si les contrôles suivants ne donnent pas un résultat positif, s'adresser à un atelier spécialisé. L'achat de l'un de nos produits offre à l'acheteur la garantie d'un service et de réparations qualifiés. Si le point de vente n'assure pas ce service, s'adresser à l'atelier spécialisé le plus proche.

Arrêt d'urgence

L'arrêt d'urgence de la machine coupe l'alimentation électrique principale.

Test de l'arrêt d'urgence

- Assurez-vous que les tuyaux hydrauliques sont raccordés l'un à l'autre.
- Démarrer la machine.
- Appuyez sur l'arrêt d'urgence et vérifiez que le moteur s'arrête.

Instructions générales de sécurité

Ne pas utiliser la machine sans avoir lu et compris préalablement le présent manuel d'utilisation.



AVERTISSEMENT! Il existe toujours un risque de choc avec les machines électriques. Évitez de travailler par mauvais temps ainsi que tout contact du corps avec du métal/un parafoudre. Suivez toujours les instructions du manuel d'utilisation pour éviter tout dommage.

- Éviter d'utiliser la machine en cas de fatigue, d'absorption d'alcool ou de prise de médicaments susceptibles d'affecter l'acuité visuelle, le jugement ou la maîtrise du corps.
- Utiliser les équipements de protection personnelle. Voir au chapitre "Équipement de protection personnelle".
- Ne débranchez jamais en tirant sur le fil.
- Conserver tous les câbles et toutes les rallonges loin de l'eau, de l'huile et des bords tranchants. Veiller à ce que le câble ne soit pas coincé dans des portes, des clôtures ou d'autres équipements similaires. Des objets pourraient alors être sous tension.

- Contrôler que le câble et la rallonge sont entiers et en bon état.
- Ne pas utiliser la machine si le câble est endommagé, la confier à un atelier d'entretien agréé pour réparation.
- N'utilisez pas la rallonge lorsqu'elle est enroulée afin d'éviter toute surchauffe.
- La machine doit être branchée à une prise de terre.
- Contrôler que la tension secteur est conforme aux indications sur la plaque de la machine.
- Toujours éteindre le groupe hydraulique et débrancher le câble électrique avant de déplacer l'équipement.
- Assurez-vous que toutes les pièces sont en état de fonctionnement et que tous les éléments de fixation sont correctement serrés.
- Ne jamais utiliser une machine qui n'est pas en parfait état de marche. Appliquer les instructions de maintenance et d'entretien ainsi que les contrôles de sécurité indiqués dans ce manuel d'utilisation. Certaines mesures de maintenance et d'entretien doivent être confiées à un spécialiste dûment formé et qualifié. Voir les instructions à la section Maintenance.
- Ne modifiez jamais les dispositifs de sécurité. Contrôlez régulièrement qu'ils fonctionnent correctement. La machine ne doit pas être utilisée si les dispositifs de sécurité sont défectueux ou ne sont pas montés.
- Ne jamais laisser d'autres personnes utiliser la machine sans s'être assuré au préalable que ces personnes ont bien compris le contenu du mode d'emploi.
- Des personnes ou des animaux peuvent détourner l'attention de l'opérateur et l'amener à perdre le contrôle de la machine. C'est pourquoi l'opérateur doit toujours être attentif et concentré sur son travail.
- Veiller à ce qu'aucune personne non autorisée ne se trouve dans la zone de travail pour éviter le risque de blessures graves.
- Attention! Les habits, les cheveux longs et les bijoux peuvent se coincer dans les parties en mouvement.
- Faites preuve de prudence en cas de levage. Le maniement de pièces lourdes implique un risque de coinçage ou autre blessure.

Transport et rangement

- Toujours éteindre le groupe hydraulique et débrancher le câble électrique avant de déplacer l'équipement.
- S'il y a un risque de gel, la machine doit être vidangée de toute eau de refroidissement restante.
- L'unité électrique est construite comme un chariot à roulettes permettant d'accrocher des tuyaux hydrauliques pour les transporter facilement sur le lieu de travail.
- En cas de transport d'un lieu à l'autre, l'unité électrique doit être rangée en position verticale, la boîte de distribution tournée vers le haut.
- Stockez l'équipement dans un endroit verrouillé afin de le maintenir hors de portée des enfants et de toute personne incompétente.

INSTRUCTIONS DE SÉCURITÉ

Méthodes de travail



AVERTISSEMENT! Le présent chapitre décrit les consignes de sécurité de base relatives à l'utilisation de la machine. Aucune de ces informations ne peut remplacer l'expérience et le savoir-faire d'un professionnel. Si vous êtes confronté à une situation où vous pensez ne pas être en sécurité, arrêtez immédiatement et consultez un spécialiste. Veuillez contacter votre revendeur, votre atelier de réparation ou un utilisateur expérimenté. Il convient d'éviter tous les travaux pour lesquels vous ne vous sentez pas suffisamment qualifié !

- Tous les opérateurs doivent recevoir une formation sur l'utilisation de la machine. Il incombe au propriétaire de garantir que les opérateurs reçoivent une formation.
- Contrôlez que tous les raccords, connexions et flexibles hydrauliques sont intacts.
- Maintenez les flexibles hydrauliques et les raccords propres.
- Ne maltraitez pas les flexibles.
- Ne pas utiliser de tuyaux tordus, usés ou endommagés.
- Vérifiez que tous les flexibles et les câbles électriques sont correctement connectés à la machine avant de la démarrer.
- Contrôlez que les flexibles sont raccordés correctement à la machine et que les raccords hydrauliques se verrouillent comme prévu avant de mettre le système hydraulique sous pression. Pour verrouiller les raccords, tournez la douille extérieure du raccord femelle afin que la rainure s'éloigne de la boule.

Les tuyaux de pression du système doivent toujours être connectés à l'entrée de l'outil. Les tuyaux de retour du système doivent toujours être connectés à la sortie de l'outil. Si les raccords sont inversés, l'outil travaille à l'envers et risque ainsi de blesser les personnes.
- Ne jamais soulever la machine par les flexibles hydrauliques.
- Contrôlez tous les jours que la machine, les raccords et les flexibles hydrauliques ne présentent pas de fuites. Toute fissure ou fuite risque d'entraîner une « injection d'huile » dans le corps ou de causer une blessure corporelle grave.
- Ne débranchez jamais les flexibles hydrauliques avant d'avoir arrêté l'unité hydraulique et avant que le moteur ne se soit complètement arrêté.
- Si vous êtes confronté à une situation d'urgence, appuyez sur le bouton d'arrêt d'urgence rouge sur le groupe moteur.
- Ne dépassez pas le débit et la pression d'huile recommandés pour l'outil utilisé. Un débit ou une pression trop élevés peut causer des fissures.
- Ne jamais essayer de localiser une fuite avec la main. Le contact avec une fuite peut causer des blessures personnelles graves en raison de la pression élevée du système hydraulique.

- Vérifier l'alimentation électrique et les câbles en s'assurant qu'ils ne sont pas endommagés.
- Travail à proximité de lignes électriques :

Quand des outils hydrauliques sont utilisés sur ou près de lignes électriques, utilisez des flexibles marqués et agréés comme « non conducteurs d'électricité ». L'utilisation d'autres flexibles peut résulter en des blessures personnelles graves voire mortelles.

Si les flexibles doivent être changés, veillez à les remplacer par des flexibles de type « non conducteur d'électricité ». Contrôlez régulièrement l'isolation électrique des conducteurs des flexibles selon les instructions spécifiques.
- Travail à proximité de conduites de gaz :

Contrôlez toujours et marquez les emplacements des conduites de gaz. Scier près d'une conduite de gaz est toujours synonyme de danger. Veillez à éviter la formation d'étincelles lors du sciage en raison d'un certain risque d'explosion. L'opérateur doit toujours être attentif et concentré sur son travail. La négligence peut causer des blessures personnelles graves voire mortelles.
- Avant de commencer l'opération de sciage, faire tourner le système hydraulique jusqu'à ce qu'il atteigne sa température de fonctionnement de 30°C, pour réduire la pression de retour et les usures.
- Ne laissez jamais la machine sans surveillance avec le moteur en marche.
- Ne sciez jamais d'une manière vous empêchant l'accès au bouton d'arrêt d'urgence.
- Lors de l'utilisation des machines, prévoyez toujours une personne à proximité afin de pouvoir obtenir de l'aide en cas d'accident.
- Les personnes devant se tenir à proximité doivent porter des protecteurs d'oreilles car le niveau sonore lors du sciage dépasse 85 dB(A).
- Ne pas travailler par mauvais temps: par exemple en cas de brouillard épais, de pluie, de vent violent, de froid intense, etc. Travailler par mauvais temps est fatiguant et peut créer des conditions de travail dangereuses telles que le verglas.
- S'assurer que l'éclairage de la zone de travail est suffisant pour que l'environnement de travail soit de toute sécurité.
- Toujours adopter une position de travail sûre et stable.
- Faites preuve de prudence en cas de levage. Le maniement de pièces lourdes implique un risque de coincement ou autre blessure.

MONTAGE ET RÉGLAGES

Contrôler le niveau d'huile

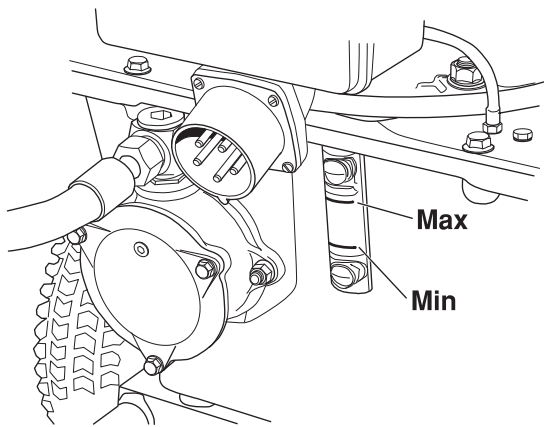
Le bloc d'alimentation est fourni avec 12 litres d'huile hydraulique 466 cSt HSH d'une marque bien connue. Il s'agit d'une huile d'ester écologique homologuée SP qui réduira considérablement les risques de réaction allergique ou d'irritation en cas de contact avec la peau. De plus, l'huile est rapidement dégradable en cas de rejet accidentel dans la nature.

- Contrôler le niveau d'huile dans le groupe d'alimentation. Pour ce faire, contrôler le niveau sur la jauge.

Niveau min. = ligne rouge

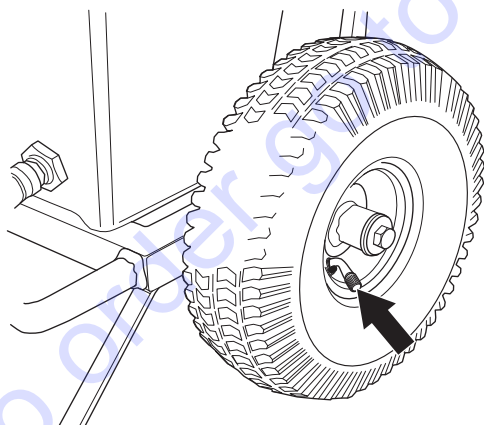
Niveau max. = ligne noire

Ne pas dépasser le niveau maximal lors du remplissage d'huile. L'huile se dilate quand elle est chaude et risque de déborder si le niveau est trop élevé. Volume du réservoir 12 l.



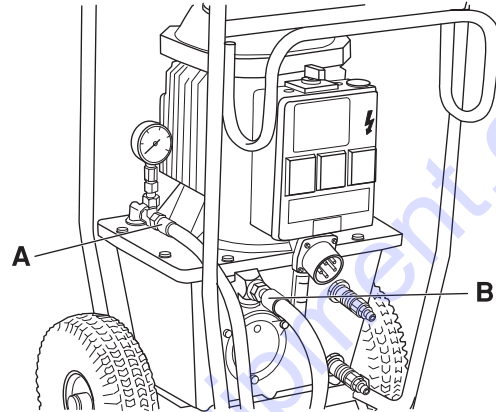
Vérifiez la pression d'air dans les pneus.

- Vérifiez la pression d'air dans les pneus. Elle doit être de 2 bars.



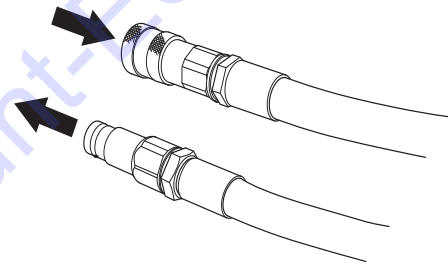
Branchez les tuyaux hydrauliques.

- Avant de monter les flexibles, essuyez les raccords pour réduire le risque de fuite.
- Pour verrouiller les raccords, tournez la douille extérieure du raccord femelle afin que la rainure s'éloigne de la boule.



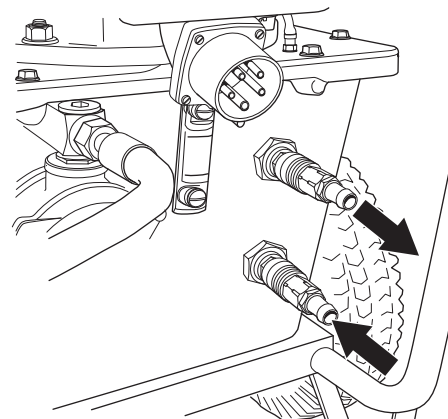
Tuyau hydraulique, RETOUR de pression (B)

Tuyau hydraulique, SORTIE de pression (A)



Raccordez l'eau de refroidissement

- Raccordez un tuyau à eau entre le raccordement de refroidissement supérieur sur le réservoir à essence hydraulique et l'outil de travail, ainsi qu'un tuyau entre la bouche d'incendie la plus proche (via un robinet) et le raccordement de refroidissement inférieur sur le réservoir.



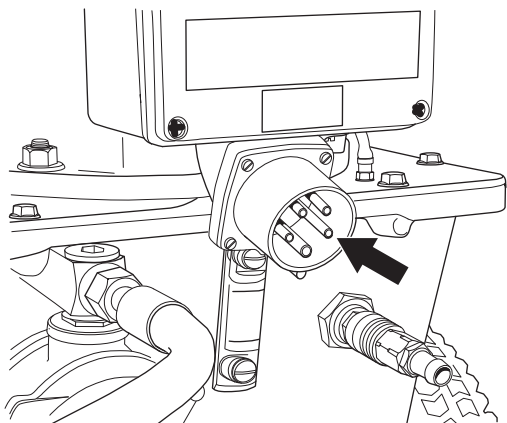
- Si aucun outil ne nécessite d'eau, laissez simplement l'eau de refroidissement couler vers la bouche d'évacuation la plus proche.

MONTAGE ET RÉGLAGES

Branchez une source électrique

IMPORTANT! Contrôler que la tension secteur est conforme aux indications sur la plaque de la machine.

- Branchez le câble d'alimentation électrique. Le câble doit posséder trois phases et une mise à la terre. Le neutre doit également être disponible pour que la prise monophasée sur la boîte de distribution fonctionne. (Uniquement sur les machines 5 broches)



- Les prises monophasées sont protégées par un coupe-circuit de courant résiduel de 16 A avec protection de surintensité (de type C). Suivant le raccordement sur le courant entrant, les prises monophasées peuvent être utilisées par exemple pour une perceuse ou encore un aspirateur d'eau.

DÉMARRAGE ET ARRÊT

Avant le démarrage

Effectuez les contrôles suivants:

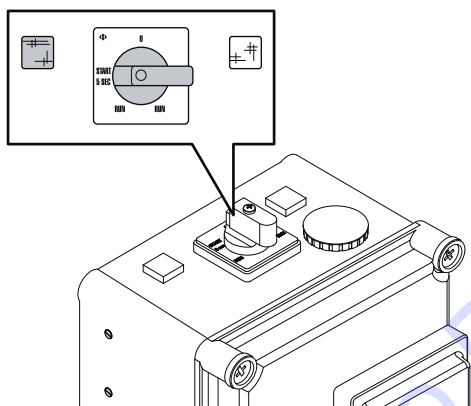
- Que la machine est correctement branchée à une alimentation électrique appropriée et possède les bons fusibles.
- les flexibles ont été connectés à un équipement.

Démarrage

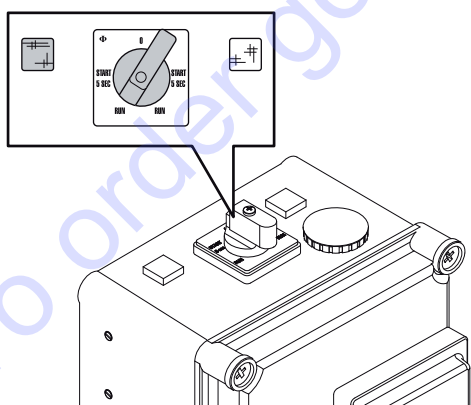
ATTENTION ! Lors du démarrage, l'interrupteur ne doit être mis en position « START 5 SEC » que pendant 5 secondes environ. Il faut ensuite le tourner sur « RUN ». Le moteur risque d'être endommagé si l'interrupteur reste en position « START 5 SEC » trop longtemps ou pendant l'utilisation de la machine.

Le moteur se démarre avec un interrupteur de l'amortisseur de lacet. Le démarrage s'effectue en deux étapes pour éviter une surcharge du fusible auquel est reliée la machine.

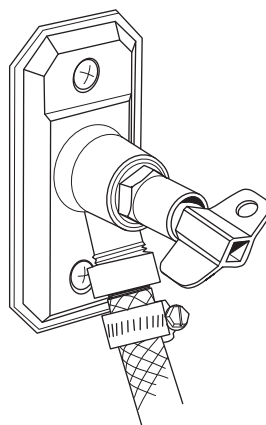
- Tournez l'interrupteur en position « START 5 SEC » dans la direction indiquée par la lampe allumée. Le sens de rotation du moteur sera ainsi correct.



- Tournez l'interrupteur en position « RUN » une fois que la vitesse du moteur est constante après environ 5 secondes.



- Ouvrez le robinet avec un débit d'eau adapté pour l'outil en question.



Si l'outil ne nécessite pas d'eau, l'eau de refroidissement doit quand même passer par le radiateur, puis s'écouler vers la bouche d'évacuation la plus proche.

Arrêt

Éteignez en tournant l'interrupteur en position « 0 ».

Après le travail

- Débrancher les flexibles hydrauliques.
- S'il y a un risque de gel, la machine doit être vidangée de toute eau de refroidissement restante. Débranchez les tuyaux d'entrée et de sortie d'eau et inclinez la machine vers l'avant.

ENTRETIEN

Service



IMPORTANT! Toutes les réparations doivent être effectuées par des réparateurs agréés. Ceci permet d'éviter que les opérateurs ne soient exposés à des risques importants.

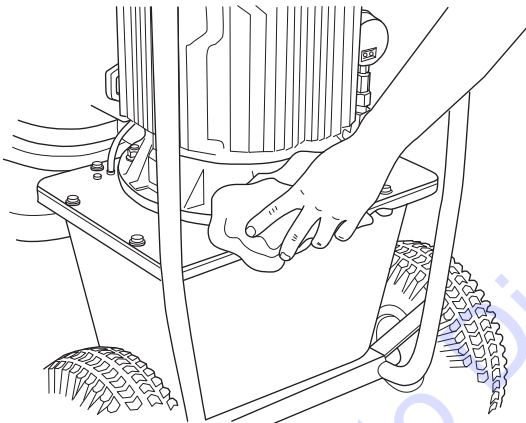
Entretien



IMPORTANT! Les contrôles et/ou les entretiens doivent être effectués avec le moteur à l'arrêt et la prise électrique débranchée.

Nettoyage

Veiller à garder les connecteurs et les broches propres. Nettoyer à l'aide d'un chiffon ou d'une brosse.



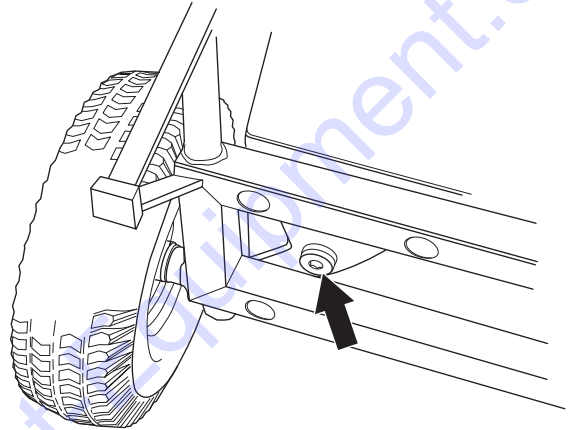
REMARQUE! Ne pas utiliser de nettoyeur haute pression pour le nettoyage du groupe moteur. Ne lavez pas la machine avec de l'eau. Elle peut en effet s'infiltrer dans le système électrique ou le moteur et ainsi endommager la machine ou provoquer un court-circuit.

Huile hydraulique

IMPORTANT! Le changement des liquides et des filtres doit être effectué de telle manière que ni le système hydraulique ni les environs de la machine ne soient endommagés. Débarrassez-vous des résidus conformément aux lois locales.

L'huile hydraulique doit être changée lorsque nécessaire ou une fois par an.

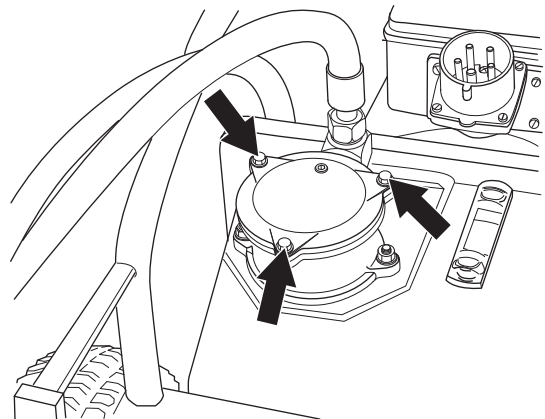
- Placez un récipient de collecte sous le bouchon de vidange du réservoir et ouvrez le bouchon.



- Revissez le bouchon de vidange une fois que tout le liquide a été vidangé.

Le remplissage d'huile hydraulique s'effectue via le filtre sur l'avant du réservoir.

- Reposez le bloc d'alimentation, avec le boîtier du filtre tourné vers le haut.
- Enlevez le couvercle du boîtier du filtre en retirant les trois vis.

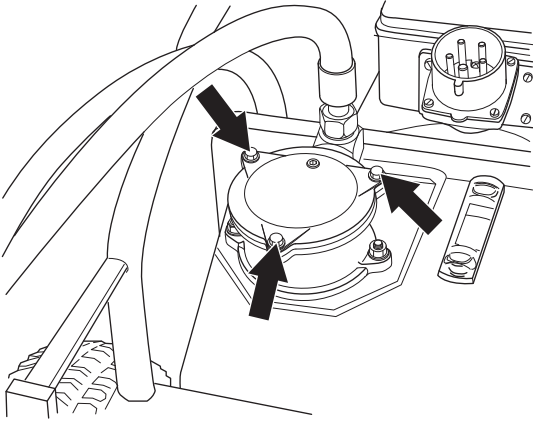


- Remplissez d'huile hydraulique via l'élément filtre.
- Montez le couvercle du boîtier du filtre.
- Si le filtre à huile est également remplacé, remplissez avec 12 litres d'huile hydraulique neuve.

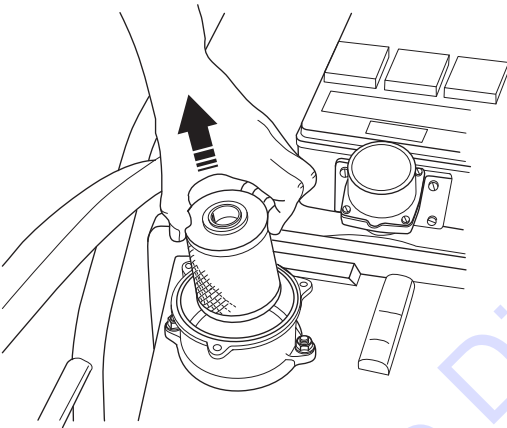
Filtre d'huile hydraulique

Remplacez le filtre deux fois par an.

- Reposez le bloc d'alimentation, avec le boîtier du filtre tourné vers le haut.
- Enlevez le couvercle du boîtier du filtre en retirant les trois vis.



- Soulevez l'élément filtre.



- Mettez le nouveau filtre en place sur le manchon au fond du boîtier du filtre.
- Montez le couvercle du boîtier du filtre.

Couple de serrage

Lors de réparations ou d'opérations de maintenance impliquant le démontage, puis le montage et le serrage de vis, utilisez le couple suivant :

- M6: 10 Nm
- M8: 25 Nm
- M10: 50 Nm

Entretien quotidien

Contrôler régulièrement :

- Le niveau d'huile dans le groupe hydraulique afin qu'il soit toujours entre les repères du tube d'observation.
- Contrôler la pression des pneus.
- La présence de bruits anormaux.

CARACTÉRISTIQUES TECHNIQUES

PP 325 E

Puissance hydraulique nominale, kW/cv	9,3/12,6
Débit d'huile hydraulique, l/min / gpm	40/8,8
Réservoir à essence hydraulique, l/gal	12/2,6
Refroidissement	Refroidissement par eau
Taille, (Lo x La x H), mm/pouce	575x1040x780/22,6x40,9x30,7
Poids, kg/lbs	93/205
Pression de travail max., bar / psi	140/2031
Longueur de tuyau (tuyau 1/2"), mm/pouce	8/315 (Lorsque les tuyaux sont étirés au-delà de la longueur standard, un tuyau 5/8" est recommandé.)
Ligação eléctrica	
Contrôler que la tension secteur est conforme aux indications sur la plaque de la machine.	
200 V	50 Hz
200 V	60 Hz
230/400 V	50 Hz
230 V	60 Hz
400 V	50 Hz
440 V	50 Hz
575 V	60 Hz
Prise de courant murale	2x230 V (Uniquement sur les machines 5 broches.)

- du 8 juin 2011, « relative à la limitation de l'utilisation de certaines substances dangereuses » **2011/65/EU**

ACLARACION DE LOS SIMBOLOS

Símbolos en la máquina

¡ATENCIÓN! La máquina, si se utiliza de forma errónea o descuidada, puede ser una herramienta peligrosa que puede causar daños graves e incluso la muerte al usuario y a otras personas.



Lea detenidamente el manual de instrucciones y asegúrese de entender su contenido antes de utilizar la máquina.



Utilice siempre:

- Casco protector homologado
- Protectores auriculares homologados
- Gafas protectoras o visor
- Máscara respiratoria



Este producto cumple con la directiva CE vigente.



¡ATENCIÓN! Corriente intensa.



Etiquetado ecológico.

El símbolo en el producto o en su envase indica que no se puede tratar este producto como desperdicio doméstico. Deberá por lo tanto depositarse en un centro de recogida adecuado para el reciclado de equipos eléctricos y electrónicos.



Haciendo que este producto sea manipulado adecuadamente, se ayuda a evitar consecuencias negativas potenciales para el medio ambiente y las personas, lo que puede ocurrir con la manipulación inadecuada como residuos del producto.

Para obtener información más detallada sobre el reciclado de este producto, contacte con la oficina municipal local, con el servicio de eliminación de desperdicios domésticos o con la tienda donde compró el producto.

Explicación de los niveles de advertencia

Las advertencias se clasifican en tres niveles.

¡ATENCIÓN!



¡ATENCIÓN! Indica un riesgo de daños graves para el usuario o incluso muerte, o bien daños al entorno, si no se siguen las instrucciones del manual.

¡NOTA!



¡NOTA! Indica un riesgo de lesiones para el usuario o daños al entorno si no se siguen las instrucciones del manual.

AVISO

AVISO Indica un riesgo de daños en los materiales o en la máquina si no se siguen las instrucciones del manual.

INDICE

Índice

ACLARACION DE LOS SIMBOLOS

Símbolos en la máquina	28
Explicación de los niveles de advertencia	28

INDICE

Índice	29
Antes de arrancar, observe lo siguiente:	29

¿QUE ES QUE?

¿Qué es qué en la unidad hidráulica?	30
--	----

INSTRUCCIONES DE SEGURIDAD

Antes de utilizar una nueva unidad hidráulica	31
Equipo de protección personal	31
Equipo de seguridad de la máquina	32
Instrucciones generales de seguridad	32
Instrucciones generales de trabajo	33

MONTAJE Y AJUSTES

Controle el nivel de aceite	34
Comprobación de la presión de aire de los neumáticos	34
Conexión de las mangueras hidráulicas	34
Conexión de la refrigeración por agua	34
Conexión de una fuente de alimentación	35

ARRANQUE Y PARADA

Antes del arranque	36
Arranque	36
Parada	36
Después de terminar el trabajo	36

MANTENIMIENTO

Servicio	37
Mantenimiento	37

DATOS TECNICOS

PP 325 E	39
----------------	----

DECLARACIÓN DE GARANTÍA PARA EE. UU.

POLÍTICA DE GARANTÍA	40
EQUIPO	40

Antes de arrancar, observe lo siguiente:



¡ATENCIÓN! El material que se corta a menudo contiene sílice y, al cortarlo en SECO particularmente, desprende polvo. La sílice es un componente básico de la arena, la arcilla para ladrillos, del cuarzo, del granito, y de varios otros minerales y rocas. La exposición a una cantidad excesiva de polvo de sílice puede causar:

Enfermedades respiratorias (que afectan su habilidad para respirar) como bronquitis crónicas, silicosis y fibrosis pulmonares por exposición a la sílice. Estas enfermedades pueden ser mortales.

Irritación y erupción de la piel.

Cáncer, según el Programa Nacional de Toxicología (NTP) y el Centro Internacional de Investigaciones sobre el Cáncer (IARC).

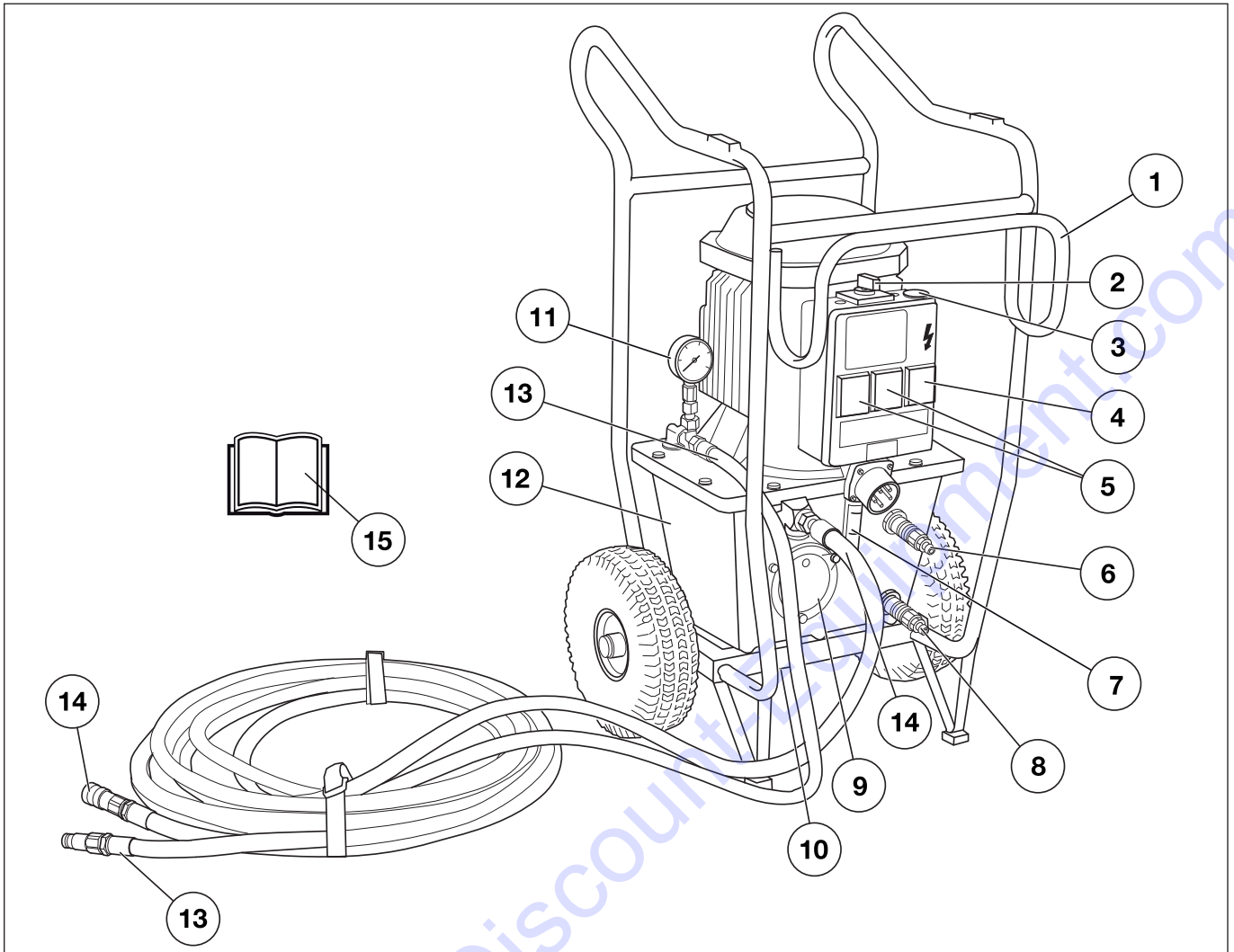
Tome medidas de precaución:

Evite el contacto de la piel con el polvo, vapor y humo, y su inhalación.

Use, y asegúrese de que quienes lo rodean usen, indumentaria de protección del aparato respiratorio como las mascarillas antipolvo diseñadas para filtrar partículas microscópicas. (Consulte las normas de la OSHA: 29 CFR Parte 1910.1200.)

Corte en húmedo, en la medida de lo posible, para minimizar la cantidad de polvo.

¿QUE ES QUE?



¿Qué es qué en la unidad hidráulica?

- | | |
|--|--|
| 1 Soporte para manguera hidráulica | 8 Conexión para agua de refrigeración entrante |
| 2 Interruptor | 9 Filtro de aceite hidráulico |
| 3 Parada de emergencia | 10 Tapón de vaciado |
| 4 Disyuntor de corriente residual con protección contra sobrecorriente (solo para dispositivos de 5 pines) | 11 Manómetro hidráulico |
| 5 Toma de corriente de pared 2 de 230 V (solo para dispositivos de 5 pines) | 12 Depósito de aceite hidráulico |
| 6 Conexión para agua de refrigeración saliente | 13 Manguera hidráulica, salida de presión |
| 7 Calibrador visual | 14 Manguera hidráulica, entrada de retorno |
| | 15 Manual de instrucciones |

INSTRUCCIONES DE SEGURIDAD

Antes de utilizar una nueva unidad hidráulica

- Lea detenidamente el manual de instrucciones y asegúrese de entender su contenido antes de utilizar la máquina.
- Esta máquina está destinada principalmente para los modelos WS 325, DM 406 H, HS 170 y HH 170, pero también está muy recomendada como fuente de alimentación para otros equipos, como la sierra de disco de Husqvarna.
- Lea el manual de instrucciones suministrado con la unidad hidráulica antes de utilizar la máquina.
- La máquina puede ocasionar lesiones graves. Lea atentamente las instrucciones de seguridad. Aprenda a utilizar la máquina.

Emplee siempre el sentido común

Es imposible abarcar todas las situaciones imaginables que se pueden producir al utilizar una taladradora. Proceder siempre con cuidado y emplear el sentido común. El usuario debe evitar usar la máquina en aplicaciones para las que no se considere suficientemente calificado. Si después de leer estas instrucciones todavía hay inseguridad en cuanto al procedimiento de uso, consultar con un experto antes de proseguir.

No dude en ponerse en contacto con su distribuidor si tiene preguntas acerca del uso de la máquina. Estaremos encantados de poder aconsejarle y ayudarle a utilizar la máquina de manera eficaz y segura.

Encargue al distribuidor de Husqvarna la revisión regular de la cortadora y los ajustes y reparaciones necesarios.

Toda la información y todos los datos contenidos en este manual de instrucciones son vigentes en la fecha de impresión del manual.



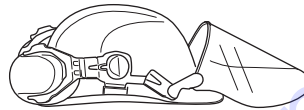
¡ATENCIÓN! No está permitido modificar el diseño original de la máquina, por ningún motivo, sin la autorización del fabricante. Utilice siempre accesorios originales. Las modificaciones y/o el uso de accesorios no autorizados comportan riesgo de daños personales graves y peligro de muerte para el usuario y otras personas.

Equipo de protección personal

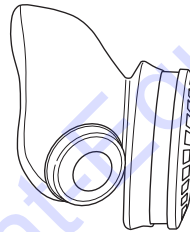


¡ATENCIÓN! Para trabajar con la máquina debe utilizarse un equipo de protección personal homologado. El equipo de protección personal no elimina el riesgo de lesiones, pero reduce su efecto en caso de accidente. Pida a su distribuidor que le asesore en la elección del equipo.

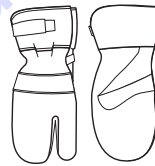
- Casco protector
- Protectores auriculares
- Gafas protectoras o visor



- Máscara respiratoria



- Guantes resistentes de agarre seguro.



- Prendas de vestir ceñidas, resistentes y cómodas que permitan una libertad de movimientos total.



- Botas con puntera de acero y suela antideslizante.



- Tenga siempre a mano el equipo de primeros auxilios.



INSTRUCCIONES DE SEGURIDAD

Equipo de seguridad de la máquina



En este capítulo se describen los componentes de seguridad de la máquina, su función y el modo de efectuar el control y el mantenimiento para garantizar un funcionamiento óptimo. En cuanto a la ubicación de estos componentes en su máquina, vea el capítulo ¡Qué es qué?.



¡ATENCIÓN! Nunca utilice una máquina con componentes de seguridad defectuosos.

Todos los trabajos de servicio y reparación de la máquina requieren una formación especial. Esto es especialmente importante para el equipo de seguridad de la máquina. Si la máquina no pasa alguno de los controles indicados a continuación, acuda a su taller de servicio local. La compra de alguno de nuestros productos le garantiza que puede recibir un mantenimiento y servicio profesional. Si no ha adquirido la máquina en una de nuestras tiendas especializadas con servicio, solicite información sobre el taller de servicio más cercano.

Parada de emergencia

La parada de emergencia de la máquina corta el suministro eléctrico.

Comprobación de la parada de emergencia

- Asegúrese de que las mangueras hidráulicas están conectadas entre sí.
- Arranque la máquina.
- Pulse la parada de emergencia y compruebe que el motor se detiene.

Instrucciones generales de seguridad

No utilice la máquina sin haber leído y comprendido el contenido de este manual de instrucciones.



¡ATENCIÓN! Existe siempre riesgo de sacudidas eléctricas al usar máquinas eléctricas. No usar la máquina en condiciones climáticas desfavorables y evitar el contacto del cuerpo con pararrayos y objetos metálicos. Seguir siempre las instrucciones del manual para evitar daños.

- Nunca utilice la máquina si está cansado, si ha ingerido alcohol o si toma medicamentos que puedan afectarle la vista, su capacidad de discernimiento o el control del cuerpo.
- Utilice el equipo de protección personal. Vea las instrucciones bajo el título "Equipo de protección personal".
- No desconecte nunca el enchufe tirando del cable.

- Mantenga todos los cables y cables de empalme apartados de agua, aceite y cantos agudos. Proceda con cuidado para evitar que el cable se apriete en puertas, vallas o similares. Hay riesgo de cargar objetos con electricidad.
- Compruebe que el cable y el cable de empalme está intacto.
- Si se daña el cable, no utilice la máquina. Llévela a un taller de servicio oficial para reparar.
- Un cable de alargue no debe usarse enrollado porque hay riesgo de sobrecalentamiento.
- La máquina se debe enchufar a un enchufe con masa.
- Compruebe que la tensión de red concuerda con la que se indica en la placa de características de la máquina.
- Desconecte siempre la unidad hidráulica de la alimentación y desenchufe el cable eléctrico antes de mover el equipo.
- Mantener todas las piezas en perfecto estado y comprobar que todos los elementos de fijación estén bien apretados.
- No utilice nunca una máquina defectuosa. Lleve a cabo las comprobaciones de seguridad y siga las instrucciones de mantenimiento y servicio de este manual. Algunas medidas de mantenimiento y servicio deben ser efectuadas por especialistas formados y cualificados. Consulte las instrucciones del apartado Mantenimiento.
- No modificar nunca los dispositivos de seguridad. Comprobar regularmente que funcionan como es debido. La máquina no se debe operar con dispositivos de seguridad defectuosos o ausentes.
- Nunca deje que terceros utilicen la máquina sin asegurarse primero de que hayan entendido el contenido de este manual de instrucciones.
- Las personas y los animales pueden distraer y hacer perder el control de la máquina. Por consiguiente, el operador debe estar siempre concentrado en su trabajo.
- Asegúrese de que no haya personas desautorizadas en la zona de trabajo, de lo contrario, se corre el riesgo de ocasionar graves daños personales.
- Tener en cuenta que las ropas, el pelo largo y las joyas pueden atascarse en piezas móviles.
- Proceda con cuidado en las elevaciones. Las piezas son pesadas, por lo que hay riesgo de daños por apriete y daños personales de otro tipo.

Transporte y almacenamiento

- Desconecte siempre la unidad hidráulica de la alimentación y desenchufe el cable eléctrico antes de mover el equipo.
- Si existe riesgo de congelación, drene el agua refrigeradora restante del dispositivo.
- La unidad de alimentación está diseñada como un carro con ruedas que permite colgar las mangueras hidráulicas para facilitar su transporte en el lugar de trabajo.
- Para transportarla de un lugar a otro, es necesario guardar la unidad de alimentación en posición vertical con la caja de distribución hacia arriba.
- Almacene la cortadora en lugar seguro fuera del alcance de los niños y personas no calificadas para su uso.

INSTRUCCIONES DE SEGURIDAD

Instrucciones generales de trabajo



¡ATENCIÓN! Este apartado trata las normas de seguridad básicas para trabajar con el dispositivo. Esta información no sustituye en ningún caso los conocimientos y la experiencia de un profesional. Si se encuentra en alguna situación que le haga sentirse inseguro, deténgase y consulte con un experto. Consulte a su distribuidor, al taller de servicio técnico o a un usuario experimentado. No emplee la máquina en aplicaciones para las que no se considere plenamente cualificado.

- Todos los operadores deben ser formados en el empleo de la máquina. El propietario es responsable de la formación de los operadores.
- Compruebe que todos los acoplamientos y conexiones, y las mangueras hidráulicas están intactos.
- Mantenga limpias de suciedad las mangueras y conexiones hidráulicas.
- No maltrate las mangueras.
- No utilice mangueras torcidas, gastadas o defectuosas.
- Asegúrese de que todas las mangueras y cables eléctricos están correctamente conectados en la máquina antes de ponerla en marcha.
- Compruebe que las mangueras estén conectadas adecuadamente en la herramienta y que las conexiones hidráulicas cierren como es debido antes de presurizar el sistema hidráulico. Las conexiones se fijan girando el manguito exterior del acoplamiento hembra para apartar la ranura de la bola.

Las mangueras de presión del sistema deben conectarse siempre en la entrada de la herramienta. Las mangueras de retorno del sistema deben conectarse siempre en la salida de la herramienta. Si se confunden las conexiones, la herramienta funcionará en sentido inverso, con el riesgo consiguiente de daños personales.
- No utilice nunca las mangueras hidráulicas para levantar la máquina.
- Revise a diario la máquina, los acoplamientos y las mangueras hidráulicas para ver si hay fugas. Una grieta o rotura puede producir una 'inyección de aceite' en el cuerpo o daños personales graves de otro tipo.
- No desacople nunca mangueras hidráulicas sin antes haber desactivado el equipo hidráulico y parado totalmente el motor.
- En caso de emergencia, pulse el botón rojo de parada de emergencia de la unidad.
- No se debe sobrepasar el caudal ni la presión de aceite especificados para las herramientas que se utilizan. Un caudal o presión demasiado altos pueden causar fugas o explosión.
- No hacer la búsqueda de fugas con la mano. El contacto con una fuga puede comportar daños personales graves causados por la presión alta del sistema hidráulico.
- Compruebe el suministro eléctrico y los cables de alimentación para asegurarse de que no están dañados.

- Trabajo cerca de cables eléctricos:

Para usar herramientas hidráulicas en o cerca de cables eléctricos deben usarse mangueras marcadas y homologadas como 'no conductoras de electricidad'. El uso de mangueras de otro tipo comporta peligro de muerte o daños personales graves.

Al cambiar mangueras deben usarse mangueras 'no conductoras de electricidad'. Las mangueras deben revisarse regularmente por lo que respecta al aislamiento de conducción eléctrica, según instrucciones especiales.

- Trabajo cerca de tuberías de gas:

Averigüe y marque siempre la ubicación del trazado de las tuberías de gas. El corte cerca de las tuberías de gas siempre es peligroso. Procure que no se generen chispas al cortar, debido al riesgo de explosión. Trabaje concentrado en su tarea. La negligencia comporta riesgo de daños personales graves y peligro de muerte.

- Antes de arrancar la sierra, deje el sistema hidráulico funcionando hasta que alcance la temperatura de funcionamiento (30°C). De este modo, se reduce la presión de retorno y el desgaste en general.
- Mantenga bajo vigilancia la máquina siempre que el motor esté en marcha.
- No haga nunca trabajos de corte de forma tal que no pueda acceder fácilmente a la parada de emergencia.
- Al trabajar con las máquinas, procure siempre que haya alguien cerca, que pueda prestar ayuda en caso de accidente.
- Las personas que deban permanecer cerca deben usar protectores auriculares porque el nivel sonoro al cortar es superior a 85 dB(A).
- No usar en condiciones climáticas desfavorables. Por ejemplo, niebla densa, lluvia, viento fuerte, frío intenso, etc. Trabajar con mal tiempo es cansador y puede crear condiciones peligrosas, por ejemplo suelo resbaladizo.
- Controle que la zona de trabajo esté bien iluminada para lograr un entorno seguro.
- Cerciórese siempre de tener una posición de trabajo segura y firme.
- Proceda con cuidado en las elevaciones. Las piezas son pesadas, por lo que hay riesgo de daños por apriete y daños personales de otro tipo.

MONTAJE Y AJUSTES

Controle el nivel de aceite

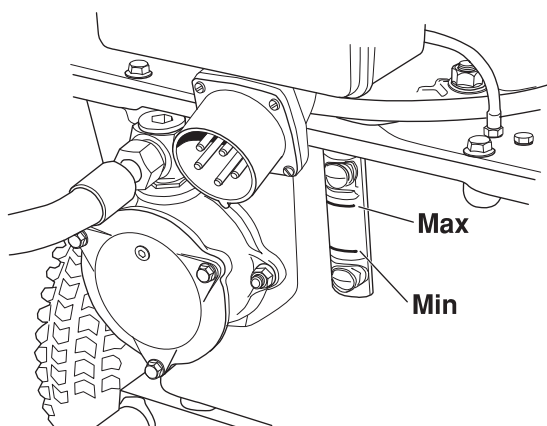
La unidad de alimentación incluye 12 litros de aceite hidráulico 466 cSt HSH de una marca conocida. El aceite usado es un aceite de éster respetuoso con el medio ambiente y aprobado para los procedimientos habituales que reduce radicalmente el riesgo de reacción alérgica o de irritación de la piel en caso de contacto. Además, el aceite se degrada rápidamente en caso de escape accidental.

- Controlar el nivel de aceite en el equipo energético. El control se hace en el indicador de nivel.

Nivel mínimo = línea roja

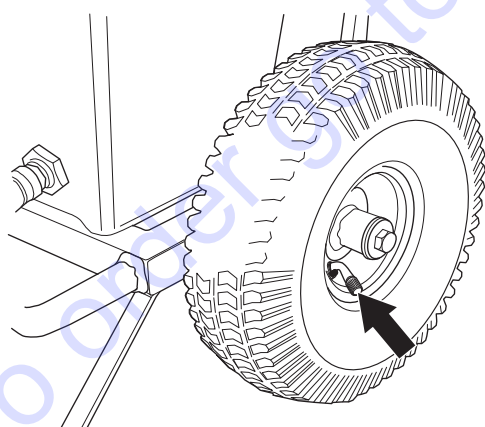
Nivel máximo = línea negra

No se debe sobrepasar el nivel máximo al poner aceite en el depósito. El aceite se expande al calentarse y puede rebosar si el nivel es excesivo. Capacidad del depósito, 12 l (3,2 US gal).



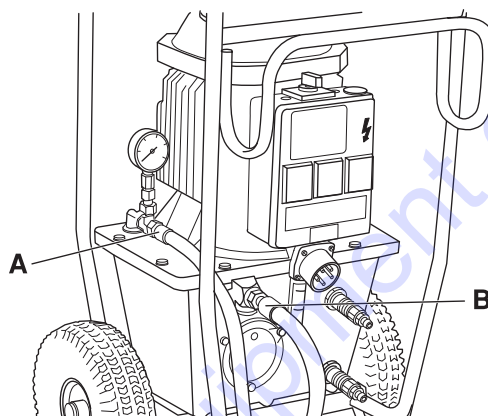
Comprobación de la presión de aire de los neumáticos

- Compruebe la presión de aire de los neumáticos. Debe ser de 2 bar.



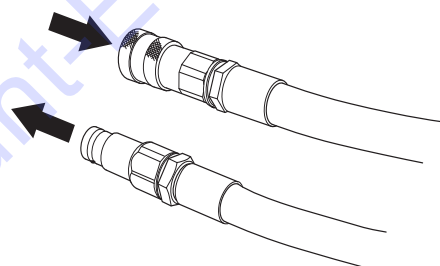
Conexión de las mangueras hidráulicas

- Antes de montar las mangueras hay que limpiar los acoplamientos para reducir el riesgo de fugas.
- Las conexiones se fijan girando el manguito exterior del acoplamiento hembra para apartar la ranura de la bola.



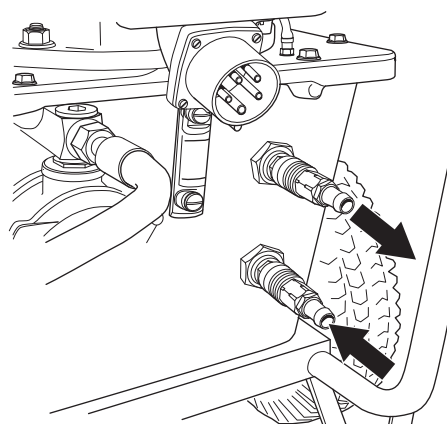
Manguera hidráulica, entrada de retorno (B)

Manguera hidráulica, salida de presión (A)



Conexión de la refrigeración por agua

- Conecte una manguera de agua entre la conexión de refrigeración superior del depósito de aceite hidráulico y la herramienta de trabajo, y otra manguera desde la toma de agua más cercana, a través de un grifo, hasta la conexión de refrigeración inferior en el depósito.

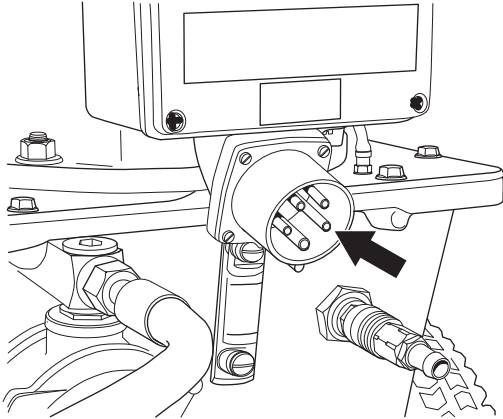


- Si se utiliza una herramienta que no necesita agua, deje que el agua de refrigeración se vacíe por el desagüe de suelo más cercano.

Conexión de una fuente de alimentación

¡IMPORTANTE! Compruebe que la tensión de red concuerda con la que se indica en la placa de características de la máquina.

- Conecte el cable de alimentación de entrada. El cable debe tener tres fases y toma de tierra. La opción neutra también debe estar disponible; de lo contrario, las tomas monofásicas de la caja de distribución no funcionarán. (solo para dispositivos de 5 pines)



- Las tomas monofásicas están protegidas con un disyuntor de corriente residual de 16 A con protección contra sobrecorriente (tipo C). Una vez conectada la corriente de entrada, las tomas monofásicas pueden utilizarse para un taladro, un equipo de aspiración de agua, etcétera.

To order go to Discount-Equipment.com

ARRANQUE Y PARADA

Antes del arranque

Comprobar que:

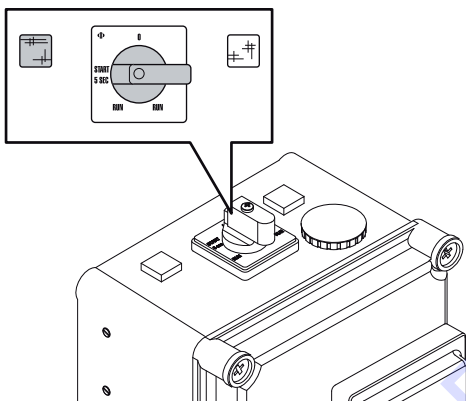
- Los fusibles y la conexión al suministro de energía adecuado de la máquina son correctos.
- Las mangueras están conectadas a un consumidor.

Arranque

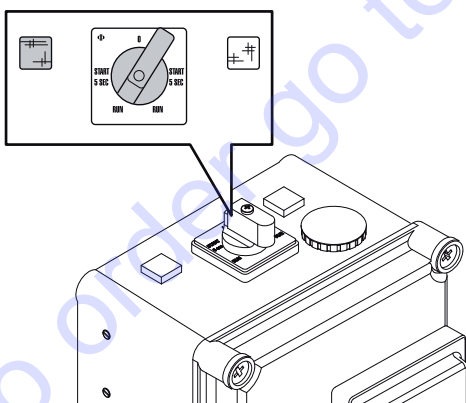
AVISO Al arrancar, gire el interruptor hacia «START 5 SEC» solo durante 5 segundos aproximadamente. A continuación se gira a «RUN». El motor puede averiarse si el interruptor permanece en la posición «START 5 SEC» durante demasiado tiempo o en funcionamiento.

El motor se arranca con un interruptor Y/D. El arranque se realiza en dos fases para evitar la sobrecarga del fusible al que se conecta la máquina.

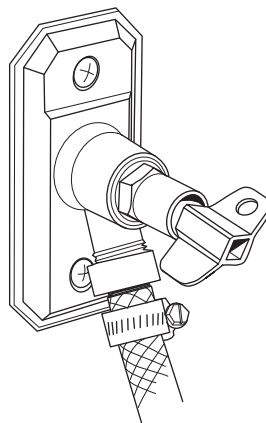
- Gire el interruptor hasta «START 5 SEC» en la dirección indicada por la luz encendida. A partir de entonces, la dirección de rotación del motor será la correcta.



- Gire el interruptor hasta «RUN» cuando el régimen del motor sea constante transcurridos unos 5 segundos.



- Abra el grifo hasta alcanzar un flujo de agua adaptado para la herramienta en cuestión.



Si la herramienta no necesita agua, el agua de refrigeración seguirá fluyendo por el radiador y se vaciará por el desagüe de suelo más cercano.

Parada

Apague la máquina girando el interruptor hasta «0».

Después de terminar el trabajo

- Desacoplar las mangueras hidráulicas.
- Si existe riesgo de congelación, drene el agua refrigeradora restante del dispositivo. Desconecte las mangueras de agua de entrada y salida e incline la máquina hacia delante.

MANTENIMIENTO

Servicio



¡IMPORTANTE! Las reparaciones de todo tipo deben ser efectuadas por técnicos autorizados, únicamente. De este modo se evita someter a los operadores a grandes riesgos.

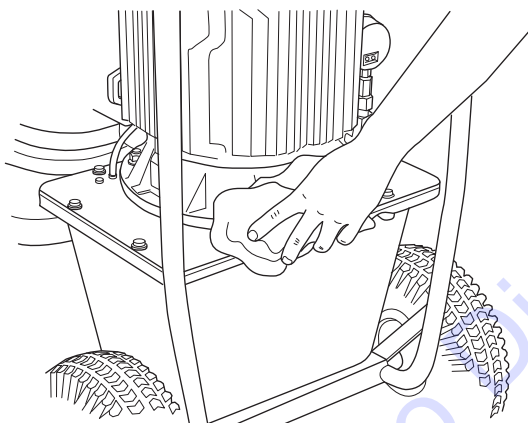
Mantenimiento



¡IMPORTANTE! El control y/o mantenimiento de la máquina debe hacerse con el motor parado y el enchufe desenchufado.

Limpieza

Asegúrese de que los conectores y los pines están limpios. Límpielos con un trapo o un cepillo.



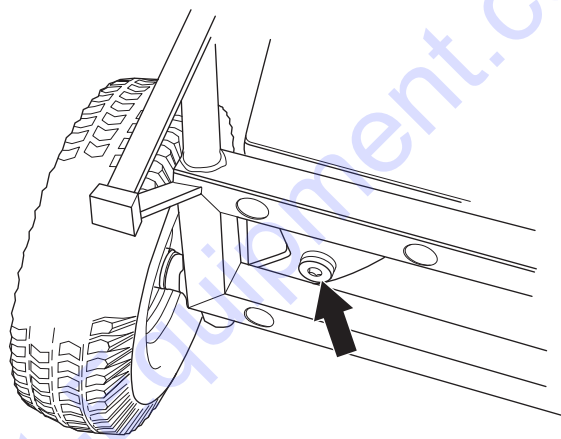
¡NOTA! No utilice un equipo de limpieza a alta presión para limpiar la unidad. No lave la máquina con agua, ya que puede penetrar en el sistema eléctrico o en el motor y causar daños en la máquina o un cortocircuito.

Aceite hidráulico

¡IMPORTANTE! El cambio de los líquidos y de los filtros debe llevarse a cabo de manera que no perjudique al sistema hidráulico de la máquina ni al medio ambiente. Respete la normativa local cuando elimine los residuos.

El aceite hidráulico debe cambiarse cuando sea necesario o una vez al año.

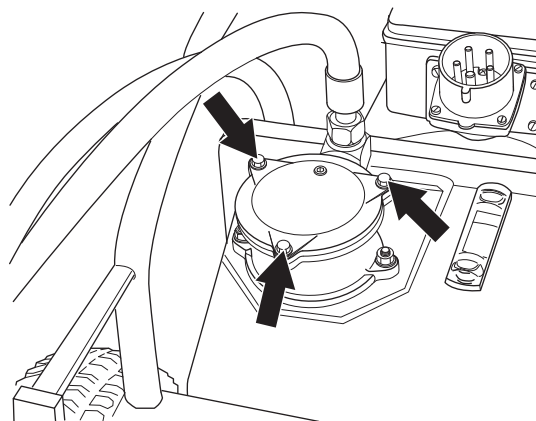
- Coloque un recipiente bajo el tapón de vaciado del depósito y ábralo.



- Enrosque el tapón de vaciado cuando ya no quede nada de líquido.

El aceite hidráulico se rellena a través del filtro situado en la parte frontal del depósito.

- Coloque la unidad de alimentación con la caja del filtro hacia arriba.
- Retire la tapa de la caja del filtro quitando los tres tornillos.



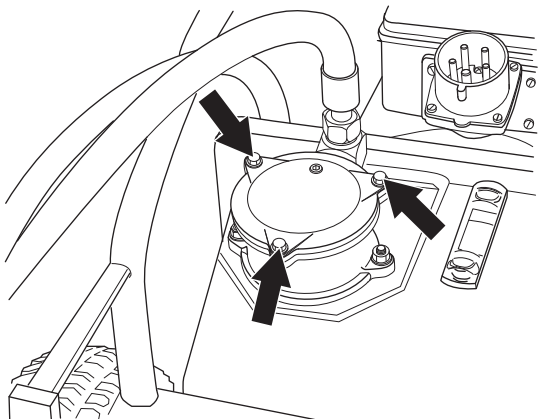
- Vierta aceite hidráulico a través del elemento filtrante.
- Coloque la tapa de la caja del filtro.
- Si también se cambia el filtro de aceite, es necesario llenarlo con 12 l de aceite hidráulico nuevo.

MANTENIMIENTO

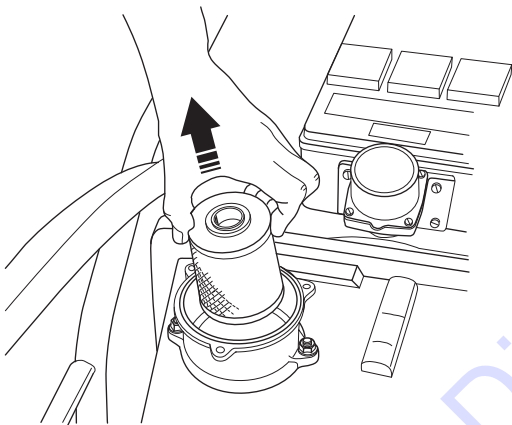
Filtro de aceite hidráulico

El filtro debe cambiarse dos veces al año.

- Coloque la unidad de alimentación con la caja del filtro hacia arriba.
- Retire la tapa de la caja del filtro quitando los tres tornillos.



- Levante el elemento filtrante.



- Presione el nuevo filtro en su lugar sobre la junta de manguito situada en la parte inferior de la caja del filtro.
- Coloque la tapa de la caja del filtro.

Par de apriete

Cuando lleve a cabo tareas de reparación y mantenimiento que incluyan el desmontaje, con el posterior montaje y apriete de tornillos, debe respetar el siguiente par:

- M6: 10 Nm
- M8: 25 Nm
- M10: 50 Nm

Mantenimiento diario

Controlar rutinariamente:

- Que el nivel de aceite del equipo hidráulico esté dentro de las marcas de la mirilla de nivel.
- Controle la presión de los neumáticos.
- Si hay ruidos anormales.

DATOS TECNICOS

PP 325 E

Potencia hidráulica indicada, kW/CV	9,3/12,6
Caudal de aceite hidráulico, l/min / gpm	40/8,8
Depósito de aceite hidráulico, l / gal	12/2,6
Refrigeración	Refrigeración por agua
Tamaño (A x L x C), mm / in	575x1040x780/22,6x40,9x30,7
Peso, kg/lbs	93/205
Presión de trabajo máxima, bar / psi	140/2031
Longitud de la manguera (manguera de 1/2 in), mm / in	8 / 315 (Cuando las mangueras se alargan y superan la longitud estándar, se recomienda una manguera de 5/8 in.)
Conexión eléctrica	
Compruebe que la tensión de red concuerda con la que se indica en la placa de características de la máquina.	
200 V	50 Hz
200 V	60 Hz
230/400 V	50 Hz
230 V	60 Hz
400 V	50 Hz
440 V	50 Hz
575 V	60 Hz
Toma de corriente de pared	2 de 230 V (solo para dispositivos de 5 pines)

- del 8 de junio de 2011 sobre la 'restricción en el uso de ciertas sustancias peligrosas' **2011/65/EU**.

To order go to Discount-Equipment.com

GB - Original instructions, CA - Instructions d'origine, ES - Instrucciones originales



1157652-49

2015-08-10

TO PURCHASE THIS PRODUCT PLEASE CONTACT US



**Equipment Financing and
Extended Warranties Available**



**Discount-Equipment.com is your online resource for
commercial and industrial quality parts and equipment sales.**

561-964-4949

visit us on line @ www.discount-equipment.com

Select an option below to find your Equipment

Search by Manufacturer

Search by Product Type

Request a Quote

We sell worldwide for the brands: Genie, Terex, JLG, MultiQuip, Mikasa, Essick, Whiteman, Mayco, Toro Stone, Diamond Products, Generac Magnum, Airman, Haulotte, Barreto, Power Blanket, Nifty Lift, Atlas Copco, Chicago Pneumatic, Allmand, Miller Curber, Skyjack, Lull, Skytrak, Tsurumi, Husquvarna Target, Stow, Wacker, Sakai, Mi-T-M, Sullair, Basic, Dynapac, MBW, Weber, Bartell, Bennar Newman, Haulotte, Ditch Runner, Menegotti, Morrison, Contec, Buddy, Crown, Edco, Wyco, Bomag, Laymor, EZ Trench, Bil-Jax, F.S. Curtis, Gehl Pavers, Heli, Honda, ICS/PowerGrit, IHI, Partner, Imer, Clipper, MMD, Koshin, Rice, CH&E, General Equipment, Amida, Coleman, NAC, Gradall, Square Shooter, Kent, Stanley, Tamco, Toku, Hatz, Kohler, Robin, Wisconsin, Northrock, Oztec, Toker TK, Rol-Air, APT, Wylie, Ingersoll Rand / Doosan, Innovatech, Con X, Ammann, Mecalac, Makinex, Smith Surface Prep, Small Line, Wanco, Yanmar