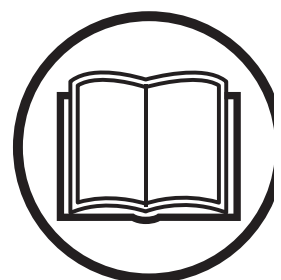


To order go to Discount-Equipment.com

**Operator's manual, Manuel de l'opérateur
Bedienungsanleitung, Bedieningshandleiding**

**S-Line Dust Extractor
Extracteur de Poussière
Staubabsauger S-Line, S-Line stofafzuiging
S 13, S 26, S 36**



Please read the operator's manual carefully and make sure you understand the instructions before using the machine.
Lisez attentivement le manuel d'utilisation et assurez-vous que vous en comprenez le contenu avant d'utiliser la machine.
Lesen Sie die Bedienungsanleitung sorgfältig durch und machen Sie sich mit dem Inhalt vertraut, bevor Sie das Gerät benutzen.
Neem de gebruiksaanwijzing grondig door en gebruik de machine niet voor u alles duidelijk hebt begrepen.

**EN FR
DE NL**

TO PURCHASE THIS PRODUCT PLEASE CONTACT US



**Equipment Financing and
Extended Warranties Available**



**Discount-Equipment.com is your online resource for
commercial and industrial quality parts and equipment sales.**

561-964-4949

visit us on line @ www.discount-equipment.com

Select an option below to find your Equipment

Search by Manufacturer

Search by Product Type

Request a Quote

We sell worldwide for the brands: Genie, Terex, JLG, MultiQuip, Mikasa, Essick, Whiteman, Mayco, Toro Stone, Diamond Products, Generac Magnum, Airman, Haulotte, Barreto, Power Blanket, Nifty Lift, Atlas Copco, Chicago Pneumatic, Allmand, Miller Curber, Skyjack, Lull, Skytrak, Tsurumi, Husquvarna Target, Stow, Wacker, Sakai, Mi-T-M, Sullair, Basic, Dynapac, MBW, Weber, Bartell, Bennar Newman, Haulotte, Ditch Runner, Menegotti, Morrison, Contec, Buddy, Crown, Edco, Wyco, Bomag, Laymor, EZ Trench, Bil-Jax, F.S. Curtis, Gehl Pavers, Heli, Honda, ICS/PowerGrit, IHI, Partner, Imer, Clipper, MMD, Koshin, Rice, CH&E, General Equipment, Amida, Coleman, NAC, Gradall, Square Shooter, Kent, Stanley, Tamco, Tokuyama, Hatz, Kohler, Robin, Wisconsin, Northrock, Oztec, Toker TK, Rol-Air, APT, Wylie, Ingersoll Rand / Doosan, Innovatech, Con X, Ammann, Mecalac, Makinex, Smith Surface Prep, Small Line, Wanco, Yanmar

READ ALL INSTRUCTIONS BEFORE USE

Introduction

Dear Customer,

Thank you for choosing Discount-equipment as your supplier.

We hope that the S-Line dust extractor will be to your satisfaction and meet your expectations.

Notice!

These instructions are only for S-Line Dust Extractors.

The S-Line Dust Extractors are designed to clean construction areas and be connected to small electrical machines such as drills, grinders etc. The machine is suitable for picking up dry, non-flammable dust and debris in and indoor environment. It is not suitable for picking up liquids.

The S-Line Dust Extractors are intended for both household and commercial use.

Husqvarna will not be held responsible if the dust extractor is used for other applications or been used in ways other than those outlined in this instruction manual.

Please pay particular attention to the safety regulations.

Read the complete instruction manual before using your dust extractor.

All spare parts used with the dust extractors must be those specified by Husqvarna Construction Products.

Table of contents

1	SAFETY INSTRUCTIONS	7	SERVICE
2	UNPACKING	8	WARRANTY
3	FUNCTION	9	PROBLEM SOLVING
4	FILTER CLEANING	10	TECHNICAL DATA
5	DUST STORAGE SYSTEM	11	EU DECLARATION OF CONFORMITY
6	FILTER CHANGE		

1. SAFETY INSTRUCTIONS

When using an electrical appliance, basic precautions should always be followed, including the following:

WARNING – To reduce the risk of fire, electric shock or injury:

- Cables damaged through crushing or splitting can be dangerous if used and should be replaced immediately. Risk of personal injury.
- Make sure the assembly area is firm, so the dust extractor does not tip over. Risk of personal and material injury.
- Risk of pinching when handling the toggle fasteners.
- The machine must not be used in environments where explosive gases may be present. Serious risk of explosion.
- Improper connection of the equipment-grounding conductor can result in a risk of electrical shock. Check with a qualified electrician or service person if you are in doubt as to whether the outlet is properly grounded. Do not modify the plug provided with the machine. If it will not fit the outlet. Have a proper outlet installed by a qualified electrician.
- Before using the machine, make sure that the power & voltage corresponds with the voltage shown on the machines rating plate.
- Do not leave machine when plugged in. Unplug cord from outlet when not in use and before cleaning or servicing machine.
- Do not use outdoors or on wet surface, this machine is for indoor and dry use only.
- Do not allow to use as a toy. Close attention is necessary when used by or near children.
- Use only as described in this manual. Use only manufacturers recommended attachments.
- Operators shall be adequately instructed on the use of the machine
- This machine is not intended for use by persons (including children) with reduced physical, sensory or mental capabilities, or lack of experience and knowledge.
- Do not use with damaged cord or plug. If the machine is not working as it should, has been dropped, damaged, left outdoors or dropped in water. Make sure it is repaired by a qualified person.
- Do not pull or carry by cord, use cord as handle, close a door on cord, or pull cord around sharp edges or corners. Do not run the machine over cord. Keep cord away from heated surfaces.
- Do not unplug by pulling on cord. To unplug, grasp the plug. Not the cord.
- Make sure the cord is unplugged when performing service or maintenance to the product.
- Do not handle plug or machine with wet hands.
- Regularly inspect cord and plug for damage. If cord is damaged, it must be replaced by a qualified person in order to avoid hazard.
- Do not put any object into openings. Do not use with any opening blocked (accept during filter cleaning procedure). Keep free of dust, hair and anything that may reduce airflow.
- Keep hair, loose clothing, fingers and all parts of body away from openings and moving parts.
- Turn off all controls before unplugging.
- Do not use to pick up flammable or combustible liquids, such as gasoline, or use in areas where they may be present.
- Do not pick up any type of liquids.
- Do not pick up anything that is burning or smoking, such as cigarettes, matches or hot ashes.
- Use extra care when cleaning on stairs.
- Do not use without dust bag and/or filters in place. Replace collection system and/or filters as described in manual.
- If using an extension cord make sure the cord rating is suitable for this machine.
- Do not modify machine from its original design.
- Keep children and unauthorized persons away from machine when in use.
- All repairs must be performed by a qualified service person. Use only manufacturer-supplied or equivalent replacement parts.
- Do not expose machine to rain or moisture. Store indoors only.
- Connect to a properly grounded outlet only. See grounding instructions.
- Make sure that you read and understand the instructions for the main product to ensure that you know what personal equipment to wear, what safety equipment to use and how to work in a safe mode.

THERMAL PROTECTION

- The dust extractor is equipped with a safety thermal protector to prevent motor from overheating. Should thermal protector activate, turn off machine, unplug power cord and check for full dust bag, vacuum hose clog or filter blockage. It may take up to 45 minutes for the thermal protector to reset.

GROUNDING INSTRUCTION

- The dust extractor must be grounded. If it should malfunction or breakdown, grounding provides a path of least resistance for electric current to reduce the risk of electric shock. The dust extractor is equipped with a cord having an equipment-grounding conductor and grounding plug. The plug must be inserted into an appropriate outlet that is properly installed and grounded in accordance with all local codes and ordinances.

1.1. General safety precautions

- Please read the operator's manual carefully and make sure you understand the instructions before using the machine. Save all warnings and instructions for future reference.
- Keep in mind that it is you, the operator that is responsible for not exposing people or their property to accidents or hazards.
- The machine must be kept clean. Signs and stickers must be fully legible.
- Secure the machine during transport.
- Ensure the machine is cleaned and that a complete service is carried out before long-term storage.

To order go to Discount-Equipment.com

2. UNPACKING

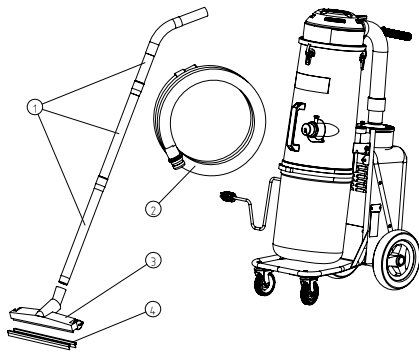
When unpacking the machine, please check that the following accessories are included:

- The hose with end fittings.
- Wand.
- Floor nozzle.

If any of the above-mentioned parts are missing, please contact Discount-equipment. For models that do not already have the front casters assembled due to packaging limitations. Assemble the front casters using the using bolt or nut and washer that are included in the package depending on your application. Protect the environment: Please dispose of packaging materials and used machine components in an environmentally safe way according to local disposal regulations. Always remember to recycle.

2.1 Product overview

S 13



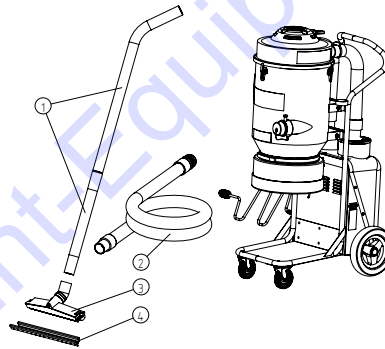
1 Hose

2 Suction Pipe

3 Floor tool

4 Rubber blades

S 26



S 36



Stop button

3. FUNCTION

The machine is designed for vacuuming and separating dry, non-combustible dust with an explosion limit value of $>0.1\text{mg/m}^3$.

The dust extractor is started by the switch.

Type	Models without automatic start	Autostart function models
Red switch 2 step	0: Motor off, 1: Motor on	N/A
Black switch 3 step	N/A	0: Motor off, 1: Motor on, 2: Automatic start

Dust-laden air is then sucked through the inlet valve at high speed via the suction hose. The air is slowed down by the cyclone and coarse dust particles are separated out, partly by centrifugal force and partly by gravity. Air and finer particles then pass through the double filter system where separation is made. The machine is designed for filter cleaning by reverse air pulse.

The separated dust accumulates in the cyclone until the machine is switched off, when it drops through the bottom flap into the plastic bag. The filter cleaning process is not completed before it is clear that the dust inside the tank has fallen down into the collection bag. In some extreme cases the adhesive ability of the dust must be broken manually. This can be done by hitting the dust through the bag or tapping the tank using i.e. a rubber hammer.

Automatic start function: When you use the dust extractor together with another machine, there is an electrical outlet on the dust extractor. Connect the machine to this outlet. Then when you start it up the dust extractor will also start after approximately 1-2 seconds. When you turn it off, the dust extractor will continue to run for approximately 10 seconds to empty the hose and then stop.

4. FILTER CLEANING

The filter must be cleaned from time to time. This must be done before changing the bag collection system and should also be done when work is completed or when there is poor suction.

Procedure: Cover the inlet, if applicable, use attached cover. First let the machine build up vacuum for four to five seconds then quickly push down on the key and release it. Repeat the procedure five times. It is important to let the machine rebuild the vacuum in between every repetition.

Turn off the motor and wait until it stops completely, then uncover the inlet.

If suction remains poor, the pre-filter needs to be replaced. If suction still remains poor afterwards, the Hepa filters need to be replaced. See instructions in chapter 6. FILTER CHANGE.

5. DUST STORAGE SYSTEM

The dust extractors are mainly equipped with Longopac system for effective dust storage or a regular plastic bag system depending on model. Longopac is a 22 m long plastic tube that will be divided into plastic bags using the zip ties attached with the machine.

To assemble a new Longopac bag: Release the belt holding the last bag. Remove the holder, put in a new Longopac bag & pull out the inner end upwards. Assemble the holder on to the machine and strap the opening facing upwards with the belt. Pull down the outside end and close it using a zip tie.

All dust extractors can be used with original Husqvarna dust bags for single use. Also all models can be fitted with the longopac system.

Only change Longopac or regular bag after filter cleaning cycle have been completed.

6. FILTER CHANGE

Risk of dust dispersion – Use personal safety equipment

Unhealthy dust can be spread during filter change. Accordingly, the user should wear protective glasses, protective gloves, and a breathing mask conforming to protection class FFP3.



Wear breathing mask



Wear ear protection



Wear protective glasses

WARNING

Remember to switch off the machine and pull the plug out of the outlet before servicing.

Pre-filter

Loosen the 3 clamps and remove the top. Take the bag from the new filter.

Lift out the filter and place it gently in a plastic bag. This bag must be properly disposed.

Insert a new filter.

Important:

If you are removing the Pre-filter in order to clean it. Hitting the filter with force or use of compressed air will destroy the filter. It can handle water, but high pressure water cleaning will destroy it.

Hepa Filter

Loosen the two nuts on each filter cover cap. Carefully lift the filter into a clean plastic bag, use the bag from the new filter. This bag must be properly disposed. Insert a new filter in reverse order.

Important:

Hepa filters can't be cleaned, trying this might destroy it. When installing the replacement filter, make sure to not touch the inside of the filter. Any kind of force/damage on the inside of filter media will destroy the new filter.

Recommended intervals for filter change: Socks filter every 6 months and Hepa filter every 12 month.

7. SERVICE

- When cleaning and servicing the machine, you must switch off the machine and remove the plug from the outlet.
- Avoid cleaning with a high pressure cleaner. If necessary, do not direct at the openings on the machine, especially the opening for cooling air.
- Before moving the machine from the work area, the machine must be cleaned.
- All other equipment must be regarded as contaminated and be treated thereafter.
- If possible, use a special suitable room.
- Proper personnel protective equipment must be used. Dust can be spread when the coarse filter and the absolute filter are replaced that can be hazardous to health. Accordingly, the user should wear protective glasses, protective gloves, and a breathing mask conforming to protection class FFP3.
- All parts which are contaminated after service must be properly disposed of in plastic bags according to all regulations.
- If the machine has to be used for other purposes, it is extremely important that the machine is cleaned, to avoid the spread of hazardous dust.
- Do not puncture the Hepa filter. Risk of dust dispersion.

Replacement parts, Filters and Dust collection system

Part no:	Description	S 13	S 26	S 36
590426101	Longopac (4-bags)	1	1	1
590396101	Plastic bags (25-pcs)	1	1	1
590397401	Pre-filter S 13	1	N/A	N/A
590426501	Pre-filter S 26	N/A	1	N/A
590448501	Pre-filter S 36	N/A	N/A	1
590396601	HEPA FILTER S-LINE	1	2	3
590402901	HEPA FILTER S-LINE USA	1	2	3

9. PROBLEM SOLVING

The dust extractors are designed and manufactured for severe environments and tasks, but the user must note that the machine must be protected from knocks and blows. Filter, seals, attachments, and connections are carefully adapted and selected with regard to the operator's work environment. Therefore, the operator and service personnel must treat the machine with care in order for it to work correctly for many years.

Issue	Cause	Solution
Motor doesn't start	No power	Plug in machine
	Cable defective	Replace cable
	Switch defective	Replace switch
	Soft start defective	Replace soft start
Motor stops immediately after starting	Wrong fuse	Connect to correct fuse
	Shortcut in cable/machine	Order service
Motor runs but there is not suction	Hose not connected	Connect hose
	Hose clogged/blocked	Clean hose
	No dust collection bag	Fit dust collection system
Motor runs but poor suction	Hole in hose	Replace hose
	Filter clogged	Clean filter/Replace filter
	Loose top cover	Adjust
	Defective gaskets	Replace affected gaskets
Dust blown from motor	Wrongly assembled or damaged filter system	Adjust/Replace filters
Abnormal noise		Order service

SAVE THESE INSTRUCTIONS!

10. TECHNICAL DATA

S-line	S 36 230 V	S 26 230 V	S 26 120 V	S 13 230 V	S 13 120 V
Power kW (max)	3,6	2,4	2,4	1,2	1,2
Voltage, V	230	230	120	230	120
Current, A (max)	15,7	10,4	20,0	5,2	10,0
Power supply	1-phase	1-phase	1-phase	1-phase	1-phase
Airflow, m3/h	600	400	438	200	219
Airflow, CFM	354	236	258	118	129
Vacuum, kPa	22	22	24	22	24
Water lift, In	90	90	100	90	100
Weight, kg	63	47	47	29	29
Weight, lbs	140	105	105	66	66
HEPA filters 99.99% at 0.3 microns	3	2	2	1	1

11. EU DECLARATION OF CONFORMITY

We, Husqvarna AB, SE 561 82 Huskvarna, SWEDEN, Tel. +46 36 146500 declare on our sole responsibility that the product:

Description	Dust Extractors
Brand	HUSQVARNA
Type / Model	S 13, S 26, S 36
Identification	Serial numbers dating from 2017 and onwards

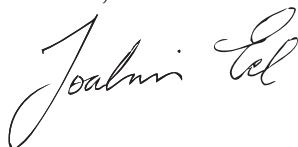
complies fully with the following EU directives and regulations:

Directive/Regulation	Description
2006/42/EC	"relating to machinery"
2011/65/EU	"relating to restriction of hazardous substances"

and that harmonized standards and/or technical specifications are applied as follows;

EN ISO 12100:2010
EN 60335-1:2012
EN 60335-1:2012/AC:2014
EN 60335-1:2012/A11:2014
EN 60335-2-69:2012

Partille, 2017-07-21



Joakim Ed
Global R&D Director
Responsible for technical documentation.

**LISEZ TOUTES LES INSTRUCTIONS
AVANT UTILISATION**

Introduction

Cher client,

Merci d'avoir choisi Discount-equipment comme fournisseur.

Nous espérons que l'extracteur de poussière de série S vous apportera entière satisfaction et répondra à vos attentes.

Remarque !

Ces instructions concernent uniquement les extracteurs de poussière de série S.

Les extracteurs de poussière de série S sont conçus pour nettoyer des zones de construction et pour être raccordés à de petites machines électriques telles que les foreuses, les meuleuses, etc. L'extracteur est utilisé pour ramasser des débris et des poussières sèches et non-inflammables dans un environnement intérieur. Il ne convient pas au ramassage des liquides.

Les extracteurs de poussière de série S sont conçus pour une utilisation domestique et commerciale.

Husqvarna ne sera pas tenue responsable si l'extracteur de poussière est utilisé pour d'autres applications ou s'il est utilisé d'autres manières que celles indiquées dans ce manuel d'instructions.

Faites particulièrement attention aux réglementations sur la sécurité.

Lisez tout le manuel d'instructions avant d'utiliser l'extracteur de poussière.

Toutes les pièces de rechange utilisées avec les extracteurs de poussière doivent être celles spécifiées par Husqvarna Construction Products.

Table des matières

1	CONSIGNES DE SÉCURITÉ	7	ENTRETIEN
2	DÉBALLAGE	8	GARANTIE
3	FONCTIONNEMENT	9	RÉSOLUTION DES PROBLÈMES
4	NETTOYAGE DU FILTRE	10	CARACTÉRISTIQUES TECHNIQUES
5	SYSTÈME DE STOCKAGE DE LA POUSSIÈRE	11	DÉCLARATION DE CONFORMITÉ UE
6	REMPACEMENT DU FILTRE		

1. CONSIGNES DE SÉCURITÉ

Lors de l'utilisation d'un appareil électrique, des précautions élémentaires doivent toujours être respectées, notamment les éléments suivants :

AVERTISSEMENT : pour réduire le risque d'incendie, de chocs électriques ou de blessures :

- Les câbles endommagés par écrasement ou sectionnement peuvent être dangereux s'ils sont utilisés et doivent être remplacés immédiatement. Risque de blessures personnelles.
- Assurez-vous que la zone de montage est stable, de sorte que l'extracteur de poussière ne se renverse pas. Risques de blessures personnelles et de dégâts matériels.
- Risque de pincement lors de la manipulation des attaches à bascule.
- La machine ne doit pas être utilisée dans des milieux où des gaz explosifs peuvent être présents. Risque d'explosion élevé.
- Un mauvais branchement de l'équipement et du conducteur de terre peut entraîner un risque d'électrocution. En cas de doute, vérifiez auprès d'un électricien ou d'un membre du personnel d'entretien qualifié si la sortie est correctement mise à la terre. Ne modifiez pas la fiche fournie avec la machine. Autrement, elle ne sera pas compatible avec la prise. Faites installer une prise adéquate par un électricien qualifié.
- Avant d'utiliser la machine, assurez-vous que la puissance et la tension correspondent à la tension indiquée sur la plaque signalétique des machines.
- Ne laissez pas la machine sans surveillance lorsqu'elle est branchée. Débranchez le cordon de la prise lorsque vous ne l'utilisez pas et avant de nettoyer ou de réparer la machine.
- N'utilisez pas cette machine à l'extérieur ou sur une surface mouillée, elle est destinée à un usage intérieur et sec uniquement.
- Ne l'utilisez pas comme un jouet. Une attention particulière est nécessaire lorsqu'elle est utilisée par ou à proximité d'enfants.
- Utilisez uniquement la machine tel que décrit dans ce manuel. N'utilisez que les accessoires recommandés par les fabricants.
- Les opérateurs doivent être suffisamment formés à l'utilisation de la machine
- Cette machine n'est pas destinée à être utilisée par des personnes (ou des enfants) inexpérimentées ou dont les capacités physiques, sensorielles ou mentales sont réduites,
- Ne l'utilisez pas si le cordon d'alimentation ou la fiche sont endommagés. Si la machine ne fonctionne pas correctement, si elle est tombée, a été endommagée, laissée à l'extérieur ou est tombée dans l'eau. Assurez-vous qu'elle est réparée par une personne qualifiée.
- Ne tirez pas et ne transportez pas la machine par le cordon, n'utilisez pas le cordon comme poignée, ne fermez pas de porte sur le cordon et ne tirez pas le cordon sur des bords ou des coins tranchants. Ne faites pas fonctionner la machine au-dessus du cordon. Maintenez le cordon à l'écart de surfaces chauffantes.
- Ne débranchez pas la machine en tirant sur le cordon. Pour la débrancher, tirez sur la fiche. Ne tirez pas sur le cordon.
- Assurez-vous que le cordon d'alimentation est débranché avant d'effectuer toute opération d'entretien ou de maintenance sur le produit.
- Ne manipulez pas la fiche ou la machine avec des mains mouillées.
- Contrôlez régulièrement le cordon et la fiche à la recherche de dommages. Si le cordon est endommagé, il doit être remplacé par une personne qualifiée afin d'éviter tout accident.
- Ne placez aucun objet dans les orifices. Ne l'utilisez pas si une ouverture est bloquée (sauf lors de la procédure de nettoyage du filtre). Veillez à éliminer la poussière, les cheveux et tout élément pouvant réduire la circulation de l'air.
- Maintenez les cheveux, les vêtements amples, les doigts et tout le corps à l'écart des ouvertures et les pièces mobiles.
- Désactivez toutes les commandes avant de débrancher la machine.
- Ne l'utilisez pas pour aspirer des liquides inflammables ou combustibles, tels que l'essence, ni dans des zones où ces éléments peuvent être présents.
- Ne ramassez pas n'importe quel type de liquide.
- Ne ramassez pas des objets brûlants ou fumant, tels que des cigarettes, des allumettes ou des cendres chaudes.
- Faites preuve d'une extrême prudence lors du nettoyage d'escaliers.
- Ne l'utilisez pas sans un sac à poussière et/ou des filtres en place. Remplacez le système de collecte et/ou les filtres comme indiqué dans le manuel.
- Si vous utilisez une rallonge électrique, assurez-vous que la valeur nominale du cordon d'alimentation convient à cette machine.
- Ne modifiez pas la machine par rapport à sa conception d'origine.
- Tenez les enfants et les personnes non autorisées à l'écart de la machine lors de son utilisation.
- Toutes les réparations doivent être effectuées par un technicien qualifié. Utilisez uniquement les pièces de rechange fournies par le fabricant ou des pièces équivalentes.
- Protégez la machine de la pluie et de l'humidité. Rangez-la à l'intérieur uniquement.
- Branchez la machine uniquement à une prise correctement mise à la terre. Consultez les instructions de mise à la terre.
- Assurez-vous de lire attentivement et de bien comprendre les instructions pour le produit principal pour vous assurer de savoir quel équipement personnel porter, quel équipement de sécurité utiliser et comment travailler en toute sécurité.

PROTECTION THERMIQUE

- L'extracteur de poussière est équipé d'une protection thermique de sécurité afin d'éviter une surchauffe du moteur. Si la protection thermique s'active, éteignez la machine, débranchez le cordon d'alimentation et vérifiez si le sac à poussière est plein, si le tuyau d'aspiration est obstrué ou si le filtre est colmaté. La protection thermique peut prendre jusqu'à 45 minutes pour se réinitialiser.

INSTRUCTIONS DE MISE À LA TERRE

- L'extracteur de poussière doit être mis à la terre. En cas de dysfonctionnement ou de panne, la mise à la terre permet un passage de résistance moindre pour le courant électrique, réduisant ainsi le risque d'électrocution. L'extracteur de poussière est équipé d'un cordon d'alimentation avec un équipement doté d'un conducteur de terre et d'une fiche de terre. La fiche doit être insérée dans une prise appropriée correctement installée et mise à la terre conformément à toutes les réglementations locales.

1.1. Instructions générales de sécurité

- Lisez attentivement le manuel d'utilisation et assurez-vous que vous en comprenez le contenu avant d'utiliser la machine. Conservez toutes ces consignes et instructions pour toute consultation ultérieure.
- N'oubliez pas que c'est vous, l'opérateur, qui êtes responsable de protéger les tiers et leurs biens de tout accident ou danger.
- La machine doit rester propre. Les signes et autocollants doivent être parfaitement lisibles.
- Sécurisez la machine pendant le transport.
- Avant de remettre la machine pour une période prolongée, veillez à ce qu'elle soit bien nettoyée et que toutes les mesures d'entretien aient été effectuées.

2. DÉBALLAGE

Lorsque vous déballez la machine, vérifiez que les accessoires suivants sont inclus :

- Le flexible et les raccords d'extrémité.
- Le tube.
- La brosse pour sol.

Si l'une des pièces mentionnées ci-dessus est manquante, contactez votre distributeur local ou notre représentant commercial.

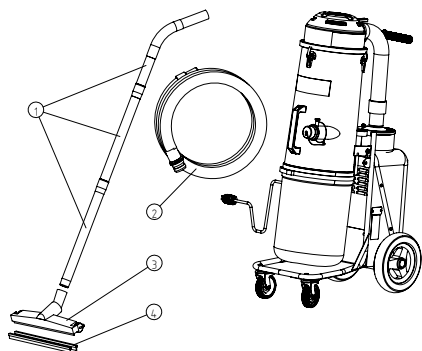
Pour les modèles dont les roulettes avant ne sont pas encore montées pour des raisons de restrictions d'emballage. Montez les roulettes avant à l'aide du boulon, de l'écrou et de la rondelle inclus dans l'emballage en fonction de votre application.

Protéger l'environnement :

Éliminez les matériaux d'emballage et les composants usés de la machine en respectant l'environnement, conformément aux réglementations locales relatives à la mise au rebut. Pensez à toujours à recycler.

2.1 Présentation du produit

S 13



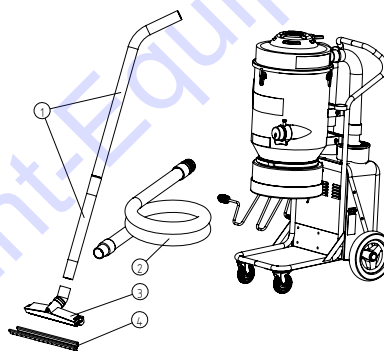
1 Flexible

2 Tuyau d'aspiration

3 Brosse de sol

4 Lames en caoutchouc

S 26



S 36



Bouton d'arrêt

3. FONCTIONNEMENT

La machine est conçue pour aspirer et séparer la poussière non-inflammable et sèche avec une valeur limite d'explosion de $>0,1 \text{ mg/m}^3$.

L'interrupteur permet de démarrer l'extracteur de poussière.

Type	Modèles sans démarrage automatique	Modèles avec la fonction de démarrage automatique
Interrupteur rouge, 2 étapes	0 : Moteur éteint, 1 : Moteur allumé	ND
Interrupteur noir, 3 étapes	ND	0 : Moteur éteint, 1 : Moteur allumé, 2 : Démarrage automatique

L'air chargé de poussière est ensuite aspiré par la soupape d'admission à grande vitesse via le tuyau d'aspiration. L'air est freiné par le cyclone et les particules de poussière épaisses sont divisées, en partie par la force centrifuge et en partie par la gravité. L'air et les particules plus fines passent ensuite à travers le système de filtre double où a lieu la séparation. La machine est conçue pour le nettoyage du filtre par air pulsé à contre-courant. La poussière séparée s'accumule dans le cyclone jusqu'à ce que la machine s'éteigne et elle tombe alors par le rabat inférieur dans le sac en plastique. Le processus de nettoyage du filtre se termine une fois que la poussière dans le réservoir est bien tombée dans le sac de collecte. Dans certains cas extrêmes, la poussière doit être enlevée manuellement en raison de sa capacité adhésive. Cela peut être effectué en tapant sur la poussière à travers le sac ou sur le réservoir à l'aide d'un marteau en caoutchouc par exemple.

Fonction de démarrage automatique : Une prise électrique vous permet d'utiliser l'extracteur de poussière avec une autre machine. Branchez la machine à cette prise. Lorsque vous la démarrez, l'extracteur de poussière démarre également après environ 1 à 2 secondes. Lorsque vous l'éteignez, l'extracteur de poussière continue à fonctionner pendant environ 10 secondes pour vider le tuyau, puis il s'arrête.

4. NETTOYAGE DU FILTRE

Le filtre doit être nettoyé de temps en temps. Cette opération doit être effectuée avant le remplacement du système du sac de collecte mais également une fois le travail terminé ou lorsque l'aspiration est faible.

Procédure : Couvrez l'entrée d'air et, le cas échéant, utilisez le couvercle joint. Laissez d'abord la machine créer une dépression pendant quatre à cinq secondes puis appuyez rapidement sur le bouton et relâchez-le. Répétez la procédure cinq fois. Il est important de laisser la machine recréer la dépression entre chaque répétition.

Coupez le moteur et attendez jusqu'à ce qu'il s'arrête complètement, puis ouvrez l'admission.

Si l'aspiration reste faible, le préfiltre doit être remplacé. Si l'aspiration reste toujours faible après cela, les filtres HEPA doivent être remplacés. Voir les instructions au chapitre 6. REMPLACEMENT DU FILTRE.

5. SYSTÈME DE STOCKAGE DE LA POUSSIÈRE

Les extracteurs de poussière sont principalement équipés d'un système Longopac pour un stockage efficace de la poussière ou d'un système de sac en plastique normal selon le modèle. Le sac Longopac est un tube en plastique de 22 m de long qui se divise en plusieurs sacs en plastiques à l'aide de serre-câbles fixés à la machine.

Montage d'un nouveau sac Longopac : Relâchez la courroie qui maintient le dernier sac. Retirez le support, placez un nouveau sac Longopac et extrayez l'extrémité intérieure vers le haut. Montez le support sur la machine et attachez l'ouverture orientée vers le haut à l'aide de la courroie. Tirez vers le bas l'extrémité extérieure et fermez-la en utilisant un serre-câble.

Tous les dépoussiéreurs peuvent être utilisés avec des sacs d'origine Husqvarna à usage unique. Tous les modèles peuvent également être équipés du système Longopac.

Ne changez un sac Longopac ou un sac normal qu'une fois le cycle de nettoyage du filtre terminé.

6. REMPLACEMENT DU FILTRE

Risque de dispersion de la poussière : utilisation des équipements de protection individuelle

Des poussières nocives peuvent se répandre lors du remplacement du filtre. En conséquence, l'utilisateur doit porter des lunettes de protection, des gants de protection et un masque respiratoire conformes à la classe FFP3.



Portez un masque respiratoire



Portez des protège-oreilles



Portez des lunettes de protection

AVERTISSEMENT

N'oubliez pas de mettre la machine hors tension et débranchez la fiche de la prise avant d'effectuer l'entretien.

Préfiltre

Desserrez les 3 colliers et déposez la partie supérieure. Retirez le sac du nouveau filtre.

Sortez le filtre et placez-le délicatement dans un sac en plastique. Ce sac doit être mis au rebut de manière appropriée.

Insérez un filtre neuf.

Important :

Si vous retirez le préfiltre pour le nettoyer, frapper le filtre avec force ou utiliser de l'air comprimé endommagera le filtre. Il peut être traité à l'eau, mais un nettoyage avec de l'eau à haute pression l'endommagera.

Filtre HEPA

Desserrez les deux écrous sur chaque couvercle de filtre. Soulevez délicatement le filtre dans un sac en plastique propre ; utilisez le sac du filtre neuf. Ce sac doit être mis au rebut de manière appropriée. Insérez un nouveau filtre dans l'ordre inverse.

Important :

Les filtres HEPA ne peuvent être nettoyés. Vous risquez de l'endommager si vous essayez. Lors de l'installation du filtre de rechange, assurez-vous de ne pas toucher l'intérieur du filtre. Tout type de force/de dommage à l'intérieur de l'élément filtrant endommagera le nouveau filtre.

Intervalles recommandés pour le remplacement du filtre : 6 mois pour les filtres à poches et 12 mois pour les filtres HEPA.

7. ENTRETIEN

- Lors du nettoyage et de l'entretien de la machine, vous devez mettre la machine hors tension et retirer la fiche de la prise.
- Évitez de nettoyer avec un nettoyeur haute pression. Si cela est nécessaire, ne visez pas directement les orifices de la machine, en particulier l'orifice pour l'air de refroidissement.
- Avant de déplacer la machine de la zone de travail, la machine doit être nettoyée.
- Tous les autres équipements doivent être considérés comme contaminés et être traités ensuite.
- Si possible, utilisez un local spécial adapté.
- Un équipement de protection individuelle approprié doit être utilisé. La poussière peut se répandre lorsque le filtre grossier et le filtre absolu sont remplacés, ce qui peut être dangereux pour la santé. En conséquence, l'utilisateur doit porter des lunettes de protection, des gants de protection et un masque respiratoire conformes à la classe FFP3.
- Toutes les pièces qui sont contaminées après l'entretien doivent être correctement mises au rebut dans des sacs en plastique conformément à toutes les réglementations en vigueur.
- Si la machine doit être utilisée à d'autres fins, il est extrêmement important que la machine soit nettoyée, afin d'éviter la propagation de poussières dangereuses.
- Ne perforez pas le filtre HEPA. Risque de dispersion de la poussière.

Pièces de rechange, filtres et système de collecte de la poussière

Référence n° :	Description	S 13	S 26	S 36
590426101	Longopac (4 sacs)	1	1	1
590396101	Sacs en plastique (25 unités)	1	1	1
590397401	Préfiltre S 13	1	ND	ND
590426501	Préfiltre S 26	ND	1	ND
590448501	Préfiltre S 36	ND	ND	1
590396601	FILTRE HEPA SÉRIE S	1	2	3
590402901	FILTRE HEPA SÉRIE S États-Unis	1	2	3

9. RÉOLUTION DES PROBLÈMES

Les extracteurs de poussière sont conçus et fabriqués pour des environnements et des tâches extrêmes, mais l'utilisateur doit noter que la machine n'est pas protégée contre les chocs et les coups. Le filtre, les joints, les accessoires et les connexions sont rigoureusement adaptés et sélectionnés selon l'environnement de travail de l'opérateur. Par conséquent, l'opérateur et le personnel d'entretien doivent traiter la machine avec soin pour qu'elle puisse fonctionner correctement pendant de nombreuses années.

Problème	Cause	Solution
Le moteur ne démarre pas	Pas d'alimentation	Branchez la machine
	Câble défectueux	Remplacez le câble
	Interrupteur défectueux	Remplacez l'interrupteur
	Démarrage en douceur défectueux	Remplacez le démarrage en douceur
Le moteur s'arrête juste après le démarrage	Fusible incorrect	Raccordez au bon fusible
	Court-circuit dans le câble/la machine	Planifiez un entretien
Le moteur tourne mais il n'y a pas d'aspiration	Le tuyau n'est pas raccordé	Raccordez le tuyau
	Le tuyau est bouché/obstrué	Nettoyez le tuyau
	Il n'y a pas de sac de collecte de poussière	Installez un système de collecte de poussière
Le moteur tourne mais l'aspiration est faible	Trou dans le tuyau	Remplacez le tuyau
	Filtre bouché	Nettoyez ou remplacez le filtre
	Couvercle supérieur lâche	Réglez
	Joints défectueux	Remplacez les joints concernés
Le moteur rejette de la poussière	Le système de filtre est endommagé ou mal assemblé	Réglez ou remplacez les filtres.
Bruit anormal		Planifiez un entretien

**CONSERVEZ LES PRÉSENTES
INSTRUCTIONS !**

10. CARACTÉRISTIQUES TECHNIQUES

Série S	S 36 230 V	S 26 230 V	S 26 120 V	S 13 230 V	S 13 120 V
Puissance en kW (max)	3,6	2,4	2,4	1,2	1,2
Tension, V	230	230	120	230	120
Courant, A (max)	15,7	10,4	20,0	5,2	10,0
Alimentation électrique	Monophasé	Monophasé	Monophasé	Monophasé	Monophasé
Débit d'air, m ³ /h	600	400	438	200	219
Débit d'air, CFM	354	236	258	118	129
Aspiration, kPa	22	22	24	22	24
Élévation d'eau, entrée	90	90	100	90	100
Poids, kg	63	47	47	29	29
Poids, lbs	140	105	105	66	66
Filtres HEPA 99,99 % à 0,3 microns	3	2	2	1	1

11. DÉCLARATION DE CONFORMITÉ UE

Nous, Husqvarna AB, SE 561 82 Huskvarna, SUÈDE, Tél. +46 36 146500 déclarons sous notre responsabilité exclusive que le produit :

Description	Extracteurs de poussière
Marque	HUSQVARNA
Type/Modèle	S 13, S 26, S 36
Identification	Numéro de série à partir de 2017

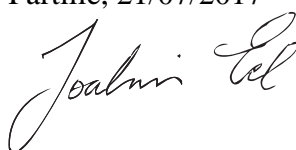
est entièrement conforme à la réglementation et aux directives de l'UE suivantes :

Directive/Réglementation	Description
2006/42/EC	« relative aux machines »
2011/65/UE	« relative aux restrictions des substances dangereuses »

et que les normes harmonisées et/ou les recommandations techniques sont appliquées comme suit ;

EN ISO 12100:2010
 EN 60335-1:2012
 EN 60335-1:2012/AC:2014
 EN 60335-1:2012/A11:2014
 EN 60335-2-69:2012

Partille, 21/07/2017



Joakim Ed
 Directeur général R&D
 Responsable de la documentation technique.

**LESEN SIE ALLE ANWEISUNGEN VOR
DEM GEBRAUCH**

Einleitung

Sehr geehrter Kunde!

Vielen Dank, dass Sie sich für ein Produkt von Discount-equipment entschieden haben.

Wir hoffen, dass der Staubabsauger S-Line zu Ihrer Zufriedenheit ausfällt und Ihren Erwartungen entspricht.

Achtung!

Diese Anweisungen gelten nur für den Staubabsauger S-Line.

Der Staubabsauger S-Line ist für die Reinigung von Baustellen und den Anschluss an kleine elektrische Maschinen wie Bohrer, Schleifmaschinen usw. konzipiert. Das Gerät eignet sich zum Aufsaugen von trockenem, nicht brennbarem Staub und Schmutz in geschlossenen Räumen. Es ist nicht für die Aufnahme von Flüssigkeiten geeignet.

Der Staubabsauger S-Line ist sowohl für den privaten als auch den gewerblichen Gebrauch bestimmt.

Husqvarna übernimmt keine Verantwortung bei Nutzung des Staubabsaugers für andere Anwendungen oder auf andere Art und Weise als die in dieser Bedienungsanleitung beschrieben.

Bitte achten Sie besonders auf die Sicherheitsvorschriften.

Lesen Sie die vollständige Bedienungsanleitung, bevor Sie den Staubabsauger verwenden.

Bei allen Ersatzteilen, die mit dem Staubabsauger verwendet werden, muss es sich um die von Husqvarna Construction Products angegebenen Teile handeln.

Inhaltsverzeichnis

1	SICHERHEITSVORSCHRIFTEN	7	WARTUNG
2	ENTNAHME AUS DER VERPACKUNG	8	GEWÄHRLEISTUNG
3	FUNKTION	9	PROBLEMBEHEBUNG
4	REINIGUNG DES FILTERS	10	TECHNISCHE DATEN
5	STAUBBEHÄLTERSYSTEM	11	EU-KONFORMITÄTSERKLÄRUNG
6	FILTERWECHSEL		

1. SICHERHEITSVORSCHRIFTEN

Bei Verwendung eines elektrischen Geräts sollten stets grundlegende Vorkehrungen eingehalten werden, einschließlich der Folgenden:

WARNUNG: Zur Vermeidung der Gefahr eines Brandes, eines elektrischen Schlags oder von Verletzungen ist Folgendes zu beachten:

- Die Verwendung beschädigter Kabel kann gefährlich sein, daher müssen sie sofort ersetzt werden. Verletzungsgefahr.
- Setzen Sie den Staubabsauger auf einer geraden und festen Oberfläche zusammen, damit er nicht umkippen kann. Gefahr von Personen- und Sachschäden.
- Quetschgefahr beim Umgang mit dem Spannverschluss.
- Das Gerät darf nicht in Umgebungen eingesetzt werden, in denen explosive Gase vorhanden sein können. Erhebliche Explosionsgefahr.
- Ein unsachgemäßer Anschluss der Geräteerdung führt zur Gefahr eines elektrischen Schlags. Wenden Sie sich an einen qualifizierten Elektriker oder Wartungstechniker, wenn Sie sich nicht sicher sind, ob die Steckdose ordnungsgemäß geerdet ist. Unterlassen Sie jegliche Manipulation des Steckers des Geräts. Sollte der Stecker nicht in die Steckdose passen, lassen Sie eine geeignete Steckdose durch einen qualifizierten Elektriker installieren.
- Vergewissern Sie sich vor der Verwendung des Geräts, dass die Stromversorgung & Spannung der auf dem Typenschild des Geräts angegebenen Spannung entspricht.
- Lassen Sie keine Maschine keinesfalls unbeaufsichtigt, wenn es angeschlossen wird. Ziehen Sie das Netzkabel aus der Steckdose, wenn das Gerät nicht verwendet wird und bevor Reinigungs- oder Wartungsarbeiten am Gerät vorgenommen werden.
- Verwenden Sie das Gerät nicht im Freien oder auf nassem Untergrund; dieses Gerät ist ausschließlich für den Gebrauch in trockenen Innenräumen bestimmt.
- Verwenden Sie das Gerät nicht als Spielzeug. Wenn Sie in der Nähe von Kindern arbeiten, lassen Sie besondere Vorsicht walten.
- Verwenden Sie dieses Gerät nur wie in diesem Handbuch beschrieben. Verwenden Sie nur die vom Hersteller empfohlenen Anbaugeräte.
- Der Bediener muss in die Verwendung des Geräts eingewiesen werden.
- Personen (einschl. Kindern), die über eingeschränkte körperliche, sensorische oder geistige Fähigkeiten verfügen oder denen es an der erforderlichen Erfahrung und Kenntnissen mangelt, ist die Verwendung des Geräts untersagt.
- Verwenden Sie das Gerät nicht, wenn ein Schaden am Kabel oder Stecker vorliegt. Wenn das Gerät nicht ordnungsgemäß funktioniert, fallen gelassen wurde, beschädigt ist, im Freien gelassen oder ins Wasser gefallen ist, stellen Sie sicher, dass es durch eine qualifizierte Person repariert wird.
- Ziehen oder heben Sie das Gerät nicht am Kabel hoch, verwenden Sie das Kabel nicht als Griff, klemmen Sie das Kabel nicht in oder unter einer Tür ein und ziehen Sie das Kabel nicht um scharfe Ecken und Kanten. Führen Sie das Gerät nicht über das Kabel. Halten Sie das Kabel von heißen Oberflächen fern.
- Ziehen Sie den Stecker nicht ab, indem Sie am Kabel ziehen. Greifen Sie zum Ausstecken den Stecker, nicht das Kabel.
- Stellen Sie sicher, dass das Gerät vom Netz getrennt ist, bevor Wartungs- oder Instandhaltungsarbeiten am Gerät vorgenommen werden.
- Fassen Sie den Stecker und das Gerät nicht mit nassen Händen an.
- Überprüfen Sie Kabel und Stecker regelmäßig auf Beschädigung. Wenn das Netzkabel defekt oder beschädigt ist, muss es durch eine qualifizierte Person ausgetauscht werden, um Gefährdungen zu vermeiden.
- Legen Sie keine Gegenstände in die Öffnungen. Verwenden Sie das Gerät nicht, wenn eine Öffnung verstopft ist (außer während der Filterreinigung). Halten Sie das Gerät frei von Staub, Haaren und sonstigen Partikeln, die den Luftstrom behindern könnten.
- Stellen Sie sicher, dass keine Haare, Kleidungsstücke, Finger oder andere Körperteile in die Nähe von Öffnungen und beweglichen Teilen gelangen.
- Schalten Sie alle Bedienelemente aus, bevor Sie den Stecker des Geräts ziehen.
- Verwenden Sie das Gerät nicht, um entzündliche oder feuergefährliche Flüssigkeiten wie z. B. Benzin aufzunehmen, und verwenden Sie es nicht in Bereichen, in denen diese auftreten können.
- Nehmen Sie keinerlei Flüssigkeiten mit dem Gerät auf.
- Nehmen Sie mit dem Gerät keine brennenden oder rauchenden Gegenstände oder Substanzen wie Zigaretten, Streichhölzer oder heiße Asche auf.
- Lassen Sie bei der Reinigung auf Treppen besondere Vorsicht walten.
- Verwenden Sie das Gerät nicht ohne korrekt eingesetzten Staubbeutel und/oder Filter. Ersetzen Sie das Behältersystem und/oder die Filter gemäß den Anweisungen im Handbuch.
- Vergewissern Sie sich vor der Verwendung eines Verlängerungskabels, dass es für dieses Gerät geeignet ist.
- Nehmen Sie keine Änderung an der ursprünglichen Konstruktion des Geräts vor.
- Halten Sie Kinder und unbefugte Personen vom Gerät fern, während es in Gebrauch ist.
- Alle Reparaturen müssen von einem qualifizierten Wartungstechniker durchgeführt werden. Verwenden Sie ausschließlich die vom Hersteller gelieferten oder gleichwertige Ersatzteile.
- Setzen Sie das Gerät weder Regen noch Feuchtigkeit aus. Bewahren Sie das Gerät ausschließlich in geschlossenen Räumen auf.
- Schließen Sie das Gerät ausschließlich an eine korrekt geerdete Steckdose an (siehe Erdungsanweisungen).
- Vergewissern Sie sich, dass Sie die Anweisungen für das Gerät vollständig gelesen und verstanden haben, um zu gewährleisten, dass Sie wissen, welche persönliche Schutzausrüstung getragen werden muss, welche Schutzausrüstung zu verwenden ist und wie Sie sicher arbeiten können.

ÜBERHITZUNGSSCHUTZ

- Der Staubabsauger verfügt über einen Thermoschutz, um eine Überhitzung des Motors zu verhindern. Sollte der Thermoschutz aktiviert werden, schalten Sie das Gerät aus, ziehen Sie das Netzkabel am Stecker aus der Steckdose, und überprüfen Sie, ob der Staubbeutel voll oder der Saugschlauch oder der Filterblock verstopft ist. Die Rückstellung des Thermoschutzes kann bis zu 45 Minuten dauern.

ERDUNGSANWEISUNGEN

- Der Staubabsauger muss geerdet sein. Bei Fehlfunktion oder Ausfall, bietet die Erdung einen Weg des geringsten Widerstands für den elektrischen Strom, um die Gefahr von elektrischen Schlägen zu verringern. Der Staubabsauger verfügt über ein Kabel, das mit Geräteerdungsleiter und Erdungsstecker ausgestattet ist. Der Stecker muss in eine geeignete Steckdose gesteckt werden, die korrekt und gemäß allen örtlichen Vorschriften und Verordnungen montiert und geerdet ist.

1.1. Allgemeine Sicherheitsvorschriften

- Lesen Sie die Bedienungsanweisung sorgfältig durch und machen Sie sich mit dem Inhalt vertraut, bevor Sie das Gerät benutzen. Bewahren Sie alle Warnhinweise und Anweisungen für spätere Referenzzwecke auf.
- Denken Sie stets daran, dass Sie als Bediener für eventuell dadurch entstehende Sach- und Personenschäden verantwortlich sind.
- Die Maschine ist sauber zu halten. Die Lesbarkeit aller Schilder und Aufkleber muss gewährleistet werden.
- Sichern Sie das Gerät während des Transports.
- Stellen Sie vor der Langzeitaufbewahrung sicher, dass die Maschine gründlich gesäubert und komplett gewartet wurde.

2. ENTNAHME AUS DER VERPACKUNG

Überprüfen Sie beim Auspacken des Geräts, ob die folgenden Zubehörteile enthalten sind:

- Schlauch mit Anschlussmuffen
- Rohr
- Bodendüse

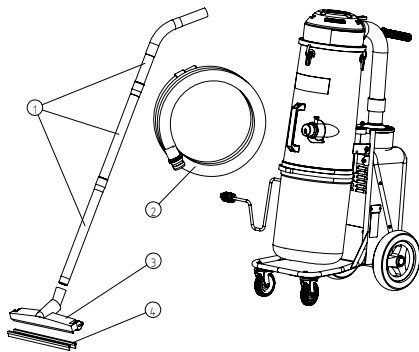
Falls eines der oben genannten Teile fehlt, wenden Sie sich an Ihren lokalen Händler oder unser Vertriebsteam. Bei Modellen, bei denen die vorderen Laufrollen aufgrund von Einschränkungen durch die Verpackung noch nicht montiert sind, montieren Sie die vorderen Laufrollen je nach Anwendung unter Verwendung der Schraube oder Mutter und Unterlegscheibe, die in der Verpackung enthalten sind.

Schonen Sie die Umwelt:

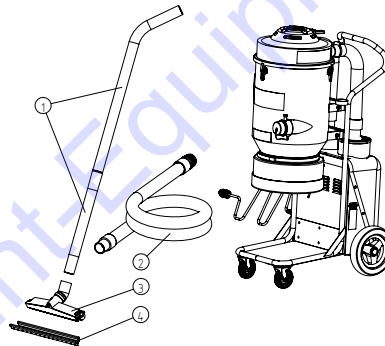
Bitte entsorgen Sie Verpackungsmaterial und gebrauchte Gerätebestandteile auf umweltgerechte Weise entsprechend den örtlichen Vorschriften. Denken Sie dabei immer an Recycling.

2.1 Produktübersicht

S 13



S 26



1 Schlauch

2 Ansaugrohr

3 Bodenwerkzeug

4 Gummilippen

S 36



Stopptaste

3. FUNKTION

Das Gerät wurde zum Absaugen und Abscheiden von trockenem, nicht brennbarem Staub mit einem Explosionsgrenzwert von $>0,1 \text{ mg/m}^3$ konzipiert.

Der Staubabsauger wird mit dem Schalter gestartet.

Typ	Modelle ohne automatischen Start	Modelle mit Autostart-Funktion
Roter Schalter, 2-stufig	0: Motor aus, 1: Motor ein	N/A
Schwarzer Schalter, 3-stufig	N/A	0: Motor aus, 1: Motor ein, 2: Automatischer Start

Staubige Luft wird dann mit hoher Geschwindigkeit über den Ansaugschlauch durch das Einlassventil gesaugt. Die Luft wird durch den Fliehkraftabscheider verlangsamt, und grobe Staubpartikel werden ausgesondert, teils durch die Fliehkraft und teils durch die Schwerkraft. Luft und feinere Teilchen gelangen dann durch das doppelte Filtersystem, wo eine Trennung vorgenommen wird. Das Gerät ist für die Reinigung des Filters durch gegenläufige Luftstöße konzipiert.

Der abgeschiedene Staub sammelt sich im Fliehkraftabscheider an, bis das Gerät ausgeschaltet wird. Dann sinkt er durch die untere Klappe in den Plastikbeutel. Der Filterreinigungsvorgang ist erst dann abgeschlossen, wenn klar ist, dass der Staub innerhalb des Tanks nach unten in den Auffangbeutel gefallen ist. In manchen extremen Fällen muss die Haftfähigkeit des Staubs manuell unterbunden werden. Dies kann erfolgen, indem Sie den Staub durch den Beutel abklopfen oder beispielsweise mit einem Gummihammer leicht auf den Tank pochen.

Automatische Startfunktion: Wenn Sie den Staubabsauger zusammen mit einem anderen Gerät verwenden, können Sie dazu eine Steckdose am Staubabsauger nutzen. Schließen Sie das andere Gerät an diese Steckdose an. Wenn Sie es dann einschalten, wird der Staubabsauger ebenfalls nach 1–2 Sekunden gestartet. Wenn Sie es ausschalten, läuft der Staubabsauger noch ca. 10 Sekunden lang weiter, um den Schlauch zu leeren. Danach wird er ausgeschaltet.

4. REINIGUNG DES FILTERS

Der Filter muss von Zeit zu Zeit gereinigt werden. Dies muss vor dem Wechseln des Beutel-Sammelsystems erfolgen und sollte auch nach Beendigung der Arbeit oder bei schlechter Saugleistung durchgeführt werden.

Empfohlene Vorgehensweise: Bedecken Sie den Einlass, sofern zutreffend, mit der angefügten Abdeckung. Lassen Sie das Gerät zunächst vier bis fünf Sekunden lang ein Vakuum erzeugen, und drücken Sie dann schnell die Taste nach unten, und lassen Sie sie wieder los. Wiederholen Sie diesen Vorgang fünf Mal. Es ist wichtig, das Gerät zwischen den einzelnen Wiederholungen erneut ein Vakuum erzeugen zu lassen.

Schalten Sie den Motor ab, und warten Sie, bis er vollständig zum Stillstand kommt; nehmen Sie dann die Abdeckung vom Einlass.

Wenn die Saugleistung weiterhin unzureichend ist, muss der Vorfilter ausgetauscht werden. Wenn die Saugleistung danach immer noch nicht zufriedenstellend ist, muss der Schwebstoff-Filter ausgetauscht werden. Lesen Sie hierzu die Anweisungen in Kapitel 6. FILTERWECHSEL.

5. STAUBBEHÄLTERSYSTEM

Der Staubabsauger ist je nach Modell mit einem Longopac-System zur effektiven Staublagerung oder einem regulären Plastikbeutelssystem ausgestattet. Longopac ist ein 22 m langer Kunststoffschlauch, der mithilfe der Kabelbinder, die dem Gerät beiliegen, in Plastikbeutel aufgeteilt wird.

So montieren Sie einen neuen Longopac-Beutel: Lösen Sie den Riemen, mit dem der letzte Beutel gehalten wird. Entfernen Sie die Halterung, setzen Sie einen neuen Longopac-Beutel ein, und ziehen Sie das innere Ende nach oben. Montieren Sie die Halterung am Gerät, und befestigen Sie die Öffnung nach oben weisend mit dem Gurt. Ziehen Sie das äußere Ende nach unten, und schließen Sie es mit einem Kabelbinder.

Alle Staubabsauger können mit den Original-Einwegstaubbeuteln von Husqvarna verwendet werden. Ebenfalls können alle Modelle mit dem Longopac-System bestückt werden.

Wechseln Sie den herkömmlichen oder Longopac-Beutel erst nach Abschluss des Filterreinigungszyklus.

6. FILTERWECHSEL

Gefahr der Staubverteilung – Verwenden Sie eine geeignete Sicherheitsausrüstung

Während des Filterwechsels kann gesundheitsschädlicher Staub verteilt werden. Folglich sollte der Benutzer eine Schutzbrille, Schutzhandschuhe und einen Atemschutz gemäß Schutzklasse FFP3 tragen.



Atemschutz tragen



Gehörschutz tragen



Schutzbrille tragen

WARNUNG

Vergessen Sie nicht, das Gerät auszuschalten und den Stecker aus der Steckdose zu ziehen, bevor Sie die Wartungsarbeiten vornehmen.

Vorfilter

Lösen Sie die 3 Schellen, und entfernen Sie das Oberteil. Nehmen Sie den Beutel des neuen Filters. Heben Sie den Filter heraus, und schieben Sie ihn vorsichtig in einen Plastikbeutel. Dieser Beutel muss ordnungsgemäß entsorgt werden.

Setzen Sie einen neuen Filter ein.

Achtung:

Wenn Sie den Vorfilter entfernen, um ihn zu reinigen, führen Gewaltanwendung oder die Verwendung von Druckluft zur Zerstörung des Filters. Wasser kann verwendet werden, allerdings führt eine Hochdruckreinigung zur Zerstörung.

Schwebstoff-Filter (HEPA)

Lösen Sie die zwei Muttern an den Filterdeckeln. Heben Sie den Filter vorsichtig in einen sauberen Plastikbeutel, verwenden Sie den Beutel des neuen Filters. Dieser Beutel muss ordnungsgemäß entsorgt werden. Setzen Sie einen neuen Filter in umgekehrter Reihenfolge ein.

Achtung:

HEPA-Filter können nicht gereinigt werden; beim Versuch werden sie möglicherweise zerstört. Berühren Sie beim Einsetzen des neuen Filters nicht das Innere des Filters. Jede Art von Kraft/Beschädigung an der Innenseite des Filtermediums führt zur Zerstörung des neuen Filters.

Empfohlene Intervalle für den Filterwechsel: Filtersocken alle 6 Monate und HEPA-Filter alle 12 Monate.

7. WARTUNG

- Bei der Reinigung und Wartung des Geräts müssen Sie das Gerät ausschalten und den Stecker aus der Steckdose ziehen.
- Vermeiden Sie die Reinigung mit einem Hochdruckreiniger. Falls es dennoch erforderlich ist, richten Sie ihn nicht direkt auf die Öffnungen des Geräts, vor allem nicht auf die Öffnung für die Kühlluft.
- Bevor Sie das Gerät aus dem Arbeitsbereich transportieren, muss es gereinigt werden.
- Alle anderen Geräte müssen als verunreinigt angesehen und entsprechend behandelt werden.
- Verwenden Sie nach Möglichkeit einen speziell geeigneten Raum.
- Die korrekte persönliche Schutzausrüstung muss verwendet werden. Beim Auswechseln des Grobfilters und des absoluten Filters kann gesundheitsgefährdender Staub verteilt werden. Folglich sollte der Benutzer eine Schutzbrille, Schutzhandschuhe und einen Atemschutz gemäß Schutzklasse FFP3 tragen.
- Alle Teile, die nach der Wartung verunreinigt sind, müssen vorschriftsmäßig und unter Einhaltung aller geltenden Bestimmungen in Plastiktüten entsorgt werden.
- Wenn das Gerät für andere Zwecke eingesetzt werden muss, es ist äußerst wichtig, dass das Gerät gereinigt wird, um die Ausbreitung von gefährlichem Staub zu vermeiden.
- Stechen Sie nicht in den Schwebstoff-Filter. Gefahr der Ausbreitung von Staub.

Ersatzteile, Filter und Staubabsaugungssystem

Teilenr.:	Beschreibung	S 13	S 26	S 36
590426101	Longopac (4 Beutel)	1	1	1
590396101	Plastikbeutel (25 Stück)	1	1	1
590397401	Vorfilter S 13	1	N/A	N/A
590426501	Vorfilter S 26	N/A	1	N/A
590448501	Vorfilter S 36	N/A	N/A	1
590396601	HEPA-FILTER S-LINE	1	2	3
590402901	HEPA-FILTER S-LINE USA	1	2	3

9. PROBLEMBEHEBUNG

Der Staubabsauger ist für raue Umgebungen konzipiert und gefertigt. Beachten Sie bitte dennoch, dass das Gerät vor Stößen und Schlägen geschützt werden muss. Filter, Dichtungen, Anbaugeräte und Anschlüsse sind sorgfältig angepasst und mit Blick auf die Arbeitsumgebung des Bedieners ausgewählt. Daher müssen Bediener und Wartungspersonal das Gerät mit Sorgfalt behandeln, damit es viele Jahre lang richtig funktioniert.

Problem	Ursache	Lösung
Motor startet nicht	Stromversorgung unterbrochen	Schließen Sie das Gerät an
	Kabel defekt	Tauschen Sie das Kabel aus
	Schalter defekt	Tauschen Sie den Schalter aus
	Softstart defekt	Tauschen Sie den Softstart aus
Motor geht sofort nach dem Anlassen aus	Falsche Sicherung	Stellen Sie eine Verbindung zur richtigen Sicherung her
	Kurzschluss im Kabel/Gerät	Wenden Sie sich an den Kundendienst
Motor läuft, aber das Gerät saugt nicht	Schlauch nicht angeschlossen	Schließen Sie den Schlauch an
	Schlauch verstopft/blockiert	Reinigen Sie den Schlauch
	Kein Staubbeutel	Setzen Sie das Staubabsaugungssystem ein
Motor läuft, aber die Saugleistung ist schlecht	Loch im Schlauch	Ersetzen Sie den Schlauch
	Filter verstopft	Reinigen Sie den Filter, oder tauschen Sie ihn aus
	Obere Abdeckung lose	Einstellen
	Defekte Dichtungen	Ersetzen Sie die betroffenen Dichtungen
Staub wird aus dem Motor geblasen	Falsch montiertes oder beschädigtes Filtersystem	Richten/tauschen Sie die Filter aus
Ungewöhnliche Geräusche		Wenden Sie sich an den Kundendienst

**BEWAHREN SIE DIESE
BEDIENUNGSANLEITUNG AUF!**

10. TECHNISCHE DATEN

S-line	S 36 230 V	S 26 230 V	S 26 120 V	S 13 230 V	S 13 120 V
Leistung in kW (max.)	3,6	2,4	2,4	1,2	1,2
Spannung, V	230	230	120	230	120
Stromstärke in A (max.)	15,7	10,4	20,0	5,2	10,0
Stromversorgung	1-phasig	1-phasig	1-phasig	1-phasig	1-phasig
Luftstrom, m ³ /h	600	400	438	200	219
Luftstrom, CFM	354	236	258	118	129
Vakuum, kPa	22	22	24	22	24
Wasseraufzug, In	90	90	100	90	100
Gewicht, kg	63	47	47	29	29
Gewicht, lbs	140	105	105	66	66
HEPA-Filter 99,99 % bei 0,3 µm	3	2	2	1	1

11. EU-KONFORMITÄTSERKLÄRUNG

Wir, Husqvarna AB, SE 561 82 Huskvarna, SCHWEDEN, Tel. +46 36 146500, erklären in alleiniger Verantwortung, dass das Gerät Folgendem genügt:

Beschreibung	Staubabsauger
Marke	HUSQVARNA
Typ/Modell	S 13, S 26, S 36
Identifizierung	Seriennummern ab 2017

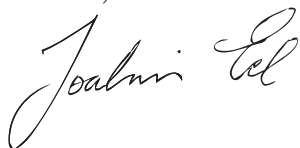
Es erfüllt die folgenden EU-Vorschriften und -Richtlinien:

Richtlinie/Verordnung	Beschreibung
2006/42/EG	„Maschinenrichtlinie“
2011/65/EG	„zur Beschränkung der Verwendung bestimmter gefährlicher Stoffe“

und dass die harmonisierten Normen und/oder technischen Daten wie folgt angewendet werden;

EN ISO 12100:2010
 EN 60335-1:2012
 EN 60335-1:2012/AC:2014
 EN 60335-1:2012/A11:2014
 EN 60335-2-69:2012

Partille, 21.07.2017



Joakim Ed
 Global R&D Direktor
 Verantwortlich für die technische Dokumentation.

LEES VÓÓR HET GEBRUIK ALLE INSTRUCTIES

Inleiding

Beste klant!

Bedankt dat u hebt gekozen voor Discount-equipment als uw leverancier.

Wij hopen dat de S-Line stofafzuiging naar tevredenheid zal werken en aan uw verwachtingen zal voldoen.

Let op!

Deze instructies gelden alleen voor S-Line stofafzuigingen.

De S-Line stofafzuigingen zijn ontworpen voor het reinigen van bouwomgevingen en om te worden aangesloten op kleine elektrische apparaten zoals boormachines, slijpmachines, enz. De machine is geschikt voor het opzuigen van droog, onbrandbaar stof en gruis in binnenomgevingen. De machine is niet geschikt voor het opzuigen van vloeistoffen.

De S-Line stofafzuigingen zijn bedoeld voor zowel huishoudelijk als commercieel gebruik.

Husqvarna is niet aansprakelijk indien de afzuiging wordt gebruikt voor andere toepassingen of op andere manieren dan beschreven in deze handleiding.

Neem in het bijzonder de veiligheidsvoorschriften in acht.

Lees de complete handleiding voordat u uw stofafzuiging gebruikt.

Alle reserveonderdelen die bij de stofafzuigingen worden gebruikt, moeten reserveonderdelen zijn die door Husqvarna Construction Products zijn gespecificeerd.

Inhoudsopgave

1	VEILIGHEIDSINSTRUCTIES	7	SERVICE
2	UITPAKKEN	8	GARANTIE
3	WERKING	9	PROBLEMEN OPLOSSEN
4	FILTER REINIGEN	10	TECHNISCHE GEGEVENS
5	STOFOPSLAGSYSTEEM	11	EU-VERKLARING VAN OVEREENSTEMMING
6	FILTER VERVANGEN		

1. VEILIGHEIDSINSTRUCTIES

Bij het gebruik van een elektrisch apparaat moeten altijd elementaire voorzorgsmaatregelen in acht worden genomen, waaronder de volgende:

WAARSCHUWING – Ter beperking van het risico van brand, een elektrische schok of letsel:

- Kabels die door beknelling of scheuren beschadigd zijn, kunnen gevaarlijk zijn indien ze worden gebruikt en moeten onmiddellijk worden vervangen. Risico van letsel.
- Zorg voor een stevig montageoppervlak, zodat de stofafzuiging niet kan omvallen. Risico van lichamelijk letsel en materiële schade.
- Risico van beknelling bij het hanteren van de klemsluitingen.
- De machine mag niet worden gebruikt in omgevingen waar explosieve gassen aanwezig kunnen zijn. Ernstig risico van explosie.
- De onjuiste aansluiting van de aardedraad van de uitrusting kan leiden tot een risico van een elektrische schok. Raadpleeg een gekwalificeerde elektricien of onderhoudsmonteur als u eraan twijfelt of het stopcontact goed geaard is. Wijzig nooit de bij de machine geleverde stekker, als deze niet in het stopcontact past. Laat een correct stopcontact installeren door een gekwalificeerde elektricien.
- Zorg er alvorens de machine te gebruiken voor dat het vermogen en de spanning overeenkomen met de spanning die wordt vermeld op het typeplaatje van de machine.
- Laat de machine niet onbeheerd achter wanneer deze op de netvoeding is aangesloten. Koppel het netsnoer los van het stopcontact als de machine niet in gebruik is en voorafgaand aan reiniging of onderhoud aan de machine.
- Gebruik de machine niet buitenshuis of op een natte ondergrond; de machine is uitsluitend bedoeld voor gebruik binnenshuis en in droge omgevingen.
- Mag niet worden gebruikt als een stuk speelgoed. Speciale aandacht is vereist bij gebruik door of in de buurt van kinderen.
- Uitsluitend gebruiken zoals beschreven in deze handleiding. Gebruik alleen door de fabrikant aanbevolen opzetstukken.
- Gebruikers moeten voldoende worden geïnstrueerd in het gebruik van de machine.
- Deze machine mag niet worden gebruikt door personen (inclusief kinderen) met een lichamelijke, zintuiglijke of geestelijke beperking of gebrek aan ervaring en kennis.
- Niet gebruiken indien het snoer of de stekker beschadigd zijn. Indien de machine niet naar behoren werkt, gevallen is, beschadigd is, buiten is achtergelaten of in het water is gevallen, moet de machine door een gekwalificeerde persoon worden gerepareerd.
- Trek niet aan het snoer en gebruik het ook niet als handvat. Sluit geen deuren met het snoer ertussen en trek het niet langs scherpe randen of hoeken. Rijd niet met de machine over het snoer. Houd het snoer uit de buurt van hete oppervlakken.
- Haal de stekker niet uit het stopcontact door aan het snoer te trekken. Houd de stekker vast als u deze uit het stopcontact trekt en niet het snoer.
- Zorg ervoor dat het netsnoer wordt losgekoppeld tijdens het uitvoeren van service- of onderhoudswerkzaamheden aan het product.
- Pak de stekker of de machine niet vast met natte handen.
- Inspecteer de stekker en het netsnoer regelmatig op beschadiging. Indien het netsnoer beschadigd is, moet het worden vervangen door een gekwalificeerde persoon om gevaar te voorkomen.
- Plaats geen voorwerpen in de openingen. Niet gebruiken indien een of meerdere openingen verstopt zijn (behalve tijdens het reinigen van het filter). Houd de openingen vrij van stof, haren en alle andere zaken die de luchtstroom kunnen belemmeren.
- Houd haar, wijde kleding, vingers en overige lichaamsdelen uit de buurt van openingen en bewegende delen.
- Schakel alle bedieningselementen uit vóór het loskoppelen.
- Niet gebruiken om brandbare of ontvlambare vloeistoffen op te zuigen, zoals benzine, en ook niet gebruiken in gebieden waar deze aanwezig kunnen zijn.
- Zuig geen vloeistoffen op.
- Zuig geen brandende of smeulende voorwerpen op zoals sigaretten, lucifers of hete as.
- Wees extra voorzichtig bij het reinigen op trappen.
- Niet gebruiken zonder geplaatste stofzak en/of filters. Vervang het opvangsysteem en/of filters zoals beschreven in de handleiding.
- Zorg er bij het gebruik van een verlengsnoer voor dat het snoer geschikt is voor deze machine.
- Wijzig het oorspronkelijke ontwerp van de machine niet.
- Houd kinderen en onbevoegde personen uit de buurt van de machine wanneer deze in gebruik is.
- Alle reparaties moeten worden uitgevoerd door een gekwalificeerde onderhoudsmonteur. Gebruik alleen door de fabrikant geleverde of gelijkwaardige vervangende onderdelen.
- Stel de machine niet bloot aan regen of vocht. Uitsluitend binnenshuis opslaan.
- Uitsluitend op een goed geaard stopcontact aansluiten. Zie aardingsinstructies.
- Zorg ervoor dat u de instructies voor het hoofdproduct leest en begrijpt om te waarborgen dat u weet welke persoonlijke uitrusting u moet dragen, welke veiligheidsuitrusting u moet gebruiken en hoe u op een veilige manier kunt werken.

THERMISCHE BEVEILIGING

- De stofafzuiging is voorzien van een thermische beveiliging om te voorkomen dat de motor oververhit raakt. Als de thermische beveiliging wordt geactiveerd, schakelt u de machine uit, haalt u de stekker uit het stopcontact en controleert u of de stofzak vol is en of de afzuigslang of het filter verstopt is. Het resetten van de thermische beveiliging kan tot 45 minuten duren.

AARDINGSINSTRUCTIE

- De stofafzuiging moet geaard zijn. Als de stofafzuiging een storing of defect zou vertonen, biedt aarding een weg van de minste weerstand voor elektrische stroom om het risico van elektrische schokken te beperken. De stofafzuiging is voorzien van een snoer met een aardedraad voor de uitrusting en een aardingsstekker. De stekker moet worden aangesloten op een geschikt stopcontact dat correct is geïnstalleerd en geaard in overeenstemming met alle plaatselijk geldende voorschriften en regels.

1.1. Algemene veiligheidsinstructies

- Neem de gebruiksaanwijzing grondig door en gebruik de machine niet voor u alles duidelijk hebt begrepen. Bewaar alle waarschuwingen en instructies voor later gebruik.
- Denk erom dat het uw verantwoordelijkheid als gebruiker is om mensen en hun eigendommen niet bloot te stellen aan ongelukken of gevaar.
- Houd de machine schoon. Aanduidingen en stickers moeten volledig leesbaar zijn.
- Zet de machine vast tijdens transport.
- Zorg ervoor dat de machine goed is schoongemaakt en dat een volledige servicebeurt is gegeven voor een lange periode van stalling.

2. UITPAKKEN

Controleer bij het uitpakken van de machine of de volgende accessoires zijn meegeleverd:

- De slang met aansluitstukken.
- Stang.
- Vloerzuigmond.

Indien een of meerdere van de hierboven genoemde onderdelen ontbreken, neem dan contact op met uw plaatselijke distributeur of onze verkoopvertegenwoordiger.

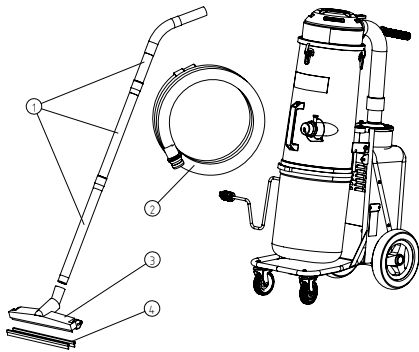
Voor modellen zonder voorgemonteerde zwenkwielen aan de voorkant vanwege verpakkingsbeperkingen: monteer de zwenkwielen aan de voorkant met een bout of moer en onderlegging afhankelijk van uw toepassing die zijn meegeleverd in de verpakking.

Bescherm het milieu:

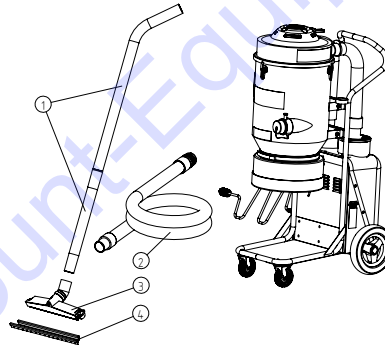
Voer verpakkingsmaterialen en gebruikte machineonderdelen op een milieuvriendelijke manier af volgens de lokale voorschriften voor het verwijderen van afvalstoffen. Vergeet nooit om te recyclen.

2.1 Productoverzicht

S 13



S 26



1 Slang

2 Aanzuigleiding

3 Vloeropzetstuk

4 Rubberen bladen

S 36



Stopknop

3. WERKING

De machine is ontworpen voor het afzuigen en scheiden van droog, onbrandbaar stof met een explosiegrenswaarde van $>0,1 \text{ mg/m}^3$.

De stofafzuiging wordt gestart door de schakelaar.

Type	Modellen zonder automatische start	Modellen met automatische startfunctie
Rode schakelaar met 2 standen	0: motor uit, 1: motor aan	NVT
Zwarte schakelaar met 3 standen	NVT	0: motor uit, 1: motor aan, 2: automatische start

Stoffige lucht wordt vervolgens met hoge snelheid via de zuigslang door de inlaatklep opgezogen. De lucht wordt afgeremd door de cycloon en grove stofdeeltjes worden afgescheiden, deels door de centrifugale krachten en deels door de zwaartekracht. Lucht en fijnere deeltjes stromen vervolgens door het dubbele filtersysteem waar de afscheiding plaatsvindt. De machine is ontworpen voor filterreiniging door middel van omgekeerde luchtpuls. Het afgescheiden stof hoopt zich in de cycloon op totdat de machine wordt uitgeschakeld, waarna het stof door de bodemklep in de plastic zak valt. Het filterreinigingsproces is niet voltooid, totdat duidelijk is dat het stof in het reservoir in de opvangzak is gevallen. In sommige extreme gevallen blijft het stof plakken en moet het met de hand worden losgemaakt. U kunt dit doen door op het stof te slaan door de zak heen of door op het reservoir te tikken met bijvoorbeeld een rubberen hamer.

Automatische startfunctie: Er zit een contactdoos op de stofafzuiging, die u kunt gebruiken als u de stofafzuiging samen met een andere machine gebruikt. Sluit de machine aan op deze contactdoos. Wanneer u de machine vervolgens start, zal de afzuiging ook starten na ca. 1-2 seconden. Als u de machine uitschakelt, zal de stofafzuiging gedurende ongeveer 10 seconden blijven werken. Dit is bedoeld om de slang te legen. Vervolgens stopt de afzuiging.

4. FILTER REINIGEN

Het filter moet van tijd tot tijd worden gereinigd. Dit moet worden gedaan vóór het vervangen van het opvangzakstelsel en moet ook worden gedaan wanneer het werk voltooid is of als er weinig zuigkracht is.

Procedure: Dek de inlaat af; gebruik indien van toepassing de meegeleverde kap. Laat de machine eerst gedurende vier tot vijf seconden vacuüm opbouwen en druk dan snel de toets in en laat deze weer los. Herhaal deze procedure vijf keer. Het is belangrijk om de machine het vacuüm opnieuw te laten opbouwen tussen elke herhaling in.

Schakel de motor uit en wacht tot hij volledig stopt. Verwijder vervolgens de kap van de inlaat.

Als de afzuiging nog steeds slecht afzuigt, moet het voorfilter worden vervangen. Als de afzuiging daarna nog steeds slecht afzuigt, moeten de HEPA-filters vervangen worden. Zie de instructies in hoofdstuk 6. FILTER VERVANGEN.

5. STOFOPSLAGSYSTEEM

De stofafzuigingen zijn, afhankelijk van het model, grotendeels uitgerust met een Longopac-systeem voor effectieve stofopslag of een systeem met gewone plastic zakken. Longopac is een 22 m lange flexibele kunststof koker die wordt onderverdeeld in plastic zakken met behulp van de tiewraps die met de machine worden meegeleverd.

Een nieuwe Longopac-zak monteren: Maak de riem los die de laatste zak vasthoudt. Verwijder de houder, plaats een nieuwe Longopac-zak en trek het binnenste uiteinde naar boven toe eruit. Monteer de houder op de machine en maak de opening naar boven gericht vast met de riem. Trek het buitenste uiteinde naar beneden en sluit het met een kabelbinder.

Alle stofafzuigingen kunnen worden gebruikt met originele Husqvarna-stofzakken voor eenmalig gebruik. Ook kunnen alle modellen met het Longopac-systeem worden uitgerust.

Vervang een Longopac- of gewone zak pas nadat de filterreinigingscyclus voltooid is.

6. FILTER VERVANGEN

Risico van het vrijkomen van stof – Gebruik persoonlijke beschermingsmiddelen

Er kan ongezond stof vrijkomen tijdens het vervangen van het filter. Daarom moet de gebruiker een veiligheidsbril, veiligheidshandschoenen en een stofmasker dat voldoet aan beschermingsklasse FFP3 dragen.



Draag een stofmasker



**Draag
gehoorbescherming**



Draag een veiligheidsbril

WAARSCHUWING

Vergeet niet om de machine uit te schakelen en de stekker uit het stopcontact te trekken, voordat u servicewerkzaamheden uitvoert.

Voorfilter

Maak de 3 klemmen los en verwijder de bovenkant. Haal de zak uit het nieuwe filter. Verwijder het filter en plaats het voorzichtig in een plastic zak. Deze zak moet op de juiste wijze als afval worden verwijderd.

Plaats een nieuw filter.

Belangrijk:

Als u het voorfilter verwijdert om het te reinigen: door met kracht op het filter te slaan of perslucht te gebruiken, beschadigt u het filter. Het filter is waterbestendig, maar hogedrukreiniging met water beschadigt het filter.

HEPA-filter

Draai de twee moeren op elke filterafdekkap los. Verwijder het filter voorzichtig en plaats het in een schone plastic zak; gebruik de zak van het nieuwe filter. Deze zak moet op de juiste wijze als afval worden verwijderd. Plaats een nieuw filter in omgekeerde volgorde.

Belangrijk:

HEPA-filters kunnen niet worden gereinigd; een poging tot reinigen kan het filter beschadigen. Zorg er bij het plaatsen van het vervangende filter voor dat u de binnenkant van het filter niet aanraakt. Elke vorm van kracht op/schade aan de binnenkant van het filter zal het nieuwe filter beschadigen.

Aanbevolen intervallen voor het vervangen van het filter: Sokfilter elke 6 maanden en HEPA-filter elke 12 maanden.

7. SERVICE

- Wanneer u reinigings- en onderhoudswerkzaamheden aan de machine uitvoert, moet u de machine uitschakelen en de stekker uit het stopcontact verwijderen.
- Niet reinigen met een hogedrukreiniger. Als dat toch nodig is, richt de straal dan niet op de openingen van de machine, in het bijzonder de opening voor de koellucht.
- Voordat u de machine uit de werkomgeving verplaatst, moet de machine worden gereinigd.
- Alle andere uitrusting moet worden aangemerkt als verontreinigd en als zodanig worden behandeld.
- Gebruik indien mogelijk een speciaal geschikte kamer.
- Er moet geschikte persoonlijke beschermingsuitrusting worden gebruikt. Stof dat gevaarlijk is voor de gezondheid kan vrijkomen tijdens het vervangen van het grove filter en het absoluutfilter. Daarom moet de gebruiker een veiligheidsbril, veiligheidshandschoenen en een stofmasker dat voldoet aan beschermingsklasse FFP3 dragen.
- Alle delen die na service verontreinigd zijn, moeten op de juiste manier in plastic zakken als afval worden verwijderd in overeenstemming met alle voorschriften.
- Als de machine voor andere doeleinden moet worden gebruikt, is het uiterst belangrijk dat de machine wordt gereinigd om te voorkomen dat er gevaarlijk stof vrijkomt.
- Perforeer het HEPA-filter niet. Risico van het vrijkomen van stof.

Vervangende onderdelen, filters en stofopvangsysteem

Onderdeelnummer:	Beschrijving	S 13	S 26	S 36
590426101	Longopac (4 zakken)	1	1	1
590396101	Plastic zakken (25 stuks)	1	1	1
590397401	Voorfilter S 13	1	NVT	NVT
590426501	Voorfilter S 26	NVT	1	NVT
590448501	Voorfilter S 36	NVT	NVT	1
590396601	HEPA-FILTER S-LINE	1	2	3
590402901	HEPA-FILTER S-LINE VS	1	2	3

9. PROBLEMEN OPLOSSEN

De stofafzuigingen zijn ontworpen en geproduceerd voor veeleisende omgevingen en taken, maar de gebruiker moet er rekening mee houden dat de machine moet worden beschermd tegen schokken en stoten. Filter, afdichtingen, opzetstukken en aansluitingen zijn zorgvuldig aangepast aan en geselecteerd voor de werkomgeving van de gebruiker. Daarom moeten de gebruiker en servicemedewerkers zorgvuldig met de machine omgaan om te waarborgen dat de machine gedurende vele jaren correct werkt.

Probleem	Oorzaak	Oplossing
Motor start niet	Geen stroom	Stekker van de machine in het stopcontact steken
	Kabel defect	Kabel vervangen
	Schakelaar defect	Schakelaar vervangen
	Softstart defect	Softstart vervangen
Motor stopt direct na het starten	Verkeerde zekering	Aansluiten op juiste zekering
	Kortsluiting in kabel/machine	Laten repareren door een servicemedewerker
Motor loopt, maar er is geen afzuiging	Slang niet aangesloten	Slang aansluiten
	Slang verstopt/geblokkeerd	Slang reinigen
	Geen stofopvangzak	Stofopvangsysteem monteren
Motor draait, maar afzuiging is slecht	Gat in slang	Slang vervangen
	Filter verstopt	Filter reinigen/vervangen
	Losse bovenste kap	Afstellen
	Defecte pakkingen	Betreffende pakkingen vervangen
Stof wordt uit de motor geblazen	Verkeerd gemonteerd of beschadigd filtersysteem	Filters aanpassen/vervangen
Abnormaal geluid		Laten repareren door een servicemedewerker

BEWAAR DEZE INSTRUCTIES!

10. TECHNISCHE GEGEVENS

S-line	S 36 230 V	S 26 230 V	S 26 120 V	S 13 230 V	S 13 120 V
Vermogen kW (max.)	3,6	2,4	2,4	1,2	1,2
Spanning, V	230	230	120	230	120
Stroomsterkte, A (max.)	15,7	10,4	20,0	5,2	10,0
Voeding	1-fase	1-fase	1-fase	1-fase	1-fase
Luchtstroom, m ³ /u	600	400	438	200	219
Luchtstroom, CFM	354	236	258	118	129
Vacuüm, kPa	22	22	24	22	24
Wateropvoering, inch	90	90	100	90	100
Gewicht, kg	63	47	47	29	29
Gewicht, lbs	140	105	105	66	66
HEPA-filters 99,99% bij 0,3 micron	3	2	2	1	1

11. EU-VERKLARING VAN OVEREENSTEMMING

Wij, Husqvarna AB, SE 561 82 Huskvarna, ZWEDEN, tel. +46 36 146500, verklaren onder onze alleenverantwoordelijkheid dat het product:

Beschrijving	Stofafzuigingen
Merk	HUSQVARNA
Type / model	S 13, S 26, S 36
Identificatie	Serienummers vanaf 2017 en verder

volledig voldoet aan de volgende EU-richtlijnen en -regelgeving:

Richtlijn/Verordening	Beschrijving
2006/42/EG	"betreffende machines"
2011/65/EU	"betreffende beperking van gevaarlijke stoffen"

en dat de volgende geharmoniseerde normen en/of technische specificaties zijn toegepast:

EN ISO 12100:2010
EN 60335-1:2012
EN 60335-1:2012/AC:2014
EN 60335-1:2012/A11:2014
EN 60335-2-69:2012

To order go to Discount-Equipment.com

Original instructions | Instructions d'origine | Originalanweisungen | Originele instructies

1158771-20, Rev. 2

2017-09-01

TO PURCHASE THIS PRODUCT PLEASE CONTACT US



**Equipment Financing and
Extended Warranties Available**



**Discount-Equipment.com is your online resource for
commercial and industrial quality parts and equipment sales.**

561-964-4949

visit us on line @ www.discount-equipment.com

Select an option below to find your Equipment

Search by Manufacturer

Search by Product Type

Request a Quote

We sell worldwide for the brands: Genie, Terex, JLG, MultiQuip, Mikasa, Essick, Whiteman, Mayco, Toro Stone, Diamond Products, Generac Magnum, Airman, Haulotte, Barreto, Power Blanket, Nifty Lift, Atlas Copco, Chicago Pneumatic, Allmand, Miller Curber, Skyjack, Lull, Skytrak, Tsurumi, Husquvarna Target, Stow, Wacker, Sakai, Mi-T-M, Sullair, Basic, Dynapac, MBW, Weber, Bartell, Bennar Newman, Haulotte, Ditch Runner, Menegotti, Morrison, Contec, Buddy, Crown, Edco, Wyco, Bomag, Laymor, EZ Trench, Bil-Jax, F.S. Curtis, Gehl Pavers, Heli, Honda, ICS/PowerGrit, IHI, Partner, Imer, Clipper, MMD, Koshin, Rice, CH&E, General Equipment, Amida, Coleman, NAC, Gradall, Square Shooter, Kent, Stanley, Tamco, Toku, Hatz, Kohler, Robin, Wisconsin, Northrock, Oztec, Toker TK, Rol-Air, APT, Wylie, Ingersoll Rand / Doosan, Innovatech, Con X, Ammann, Mecalac, Makinex, Smith Surface Prep, Small Line, Wanco, Yanmar