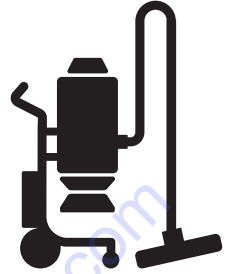




Husqvarna®



S 13, S 26, S 36

EN	Operator's manual	2-13
FR	Manuel d'utilisation	14-26
NL	Gebruiksaanwijzing	27-39
DE	Bedienungsanweisung	40-52



TO PURCHASE THIS PRODUCT PLEASE CONTACT US



**Equipment Financing and
Extended Warranties Available**



**Discount-Equipment.com is your online resource for
commercial and industrial quality parts and equipment sales.**

561-964-4949

visit us on line @ www.discount-equipment.com

Select an option below to find your Equipment

Search by Manufacturer

Search by Product Type

Request a Quote

We sell worldwide for the brands: Genie, Terex, JLG, MultiQuip, Mikasa, Essick, Whiteman, Mayco, Toro Stone, Diamond Products, Generac Magnum, Airman, Haulotte, Barreto, Power Blanket, Nifty Lift, Atlas Copco, Chicago Pneumatic, Allmand, Miller Curber, Skyjack, Lull, Skytrak, Tsurumi, Husquvarna Target, Stow, Wacker, Sakai, Mi-T-M, Sullair, Basic, Dynapac, MBW, Weber, Bartell, Bennar Newman, Haulotte, Ditch Runner, Menegotti, Morrison, Contec, Buddy, Crown, Edco, Wyco, Bomag, Laymor, EZ Trench, Bil-Jax, F.S. Curtis, Gehl Pavers, Heli, Honda, ICS/PowerGrit, IHI, Partner, Imer, Clipper, MMD, Koshin, Rice, CH&E, General Equipment, Amida, Coleman, NAC, Gradall, Square Shooter, Kent, Stanley, Tamco, Toku, Hatz, Kohler, Robin, Wisconsin, Northrock, Oztec, Toker TK, Rol-Air, APT, Wylie, Ingersoll Rand / Doosan, Innovatech, Con X, Ammann, Mecalac, Makinex, Smith Surface Prep, Small Line, Wanco, Yanmar

Contents

Introduction.....	2	Troubleshooting.....	10
Safety.....	5	Transportation, storage and disposal.....	11
Assembly.....	6	Technical data.....	11
Operation.....	7	EC Declaration of Conformity.....	13
Maintenance.....	9		

Introduction

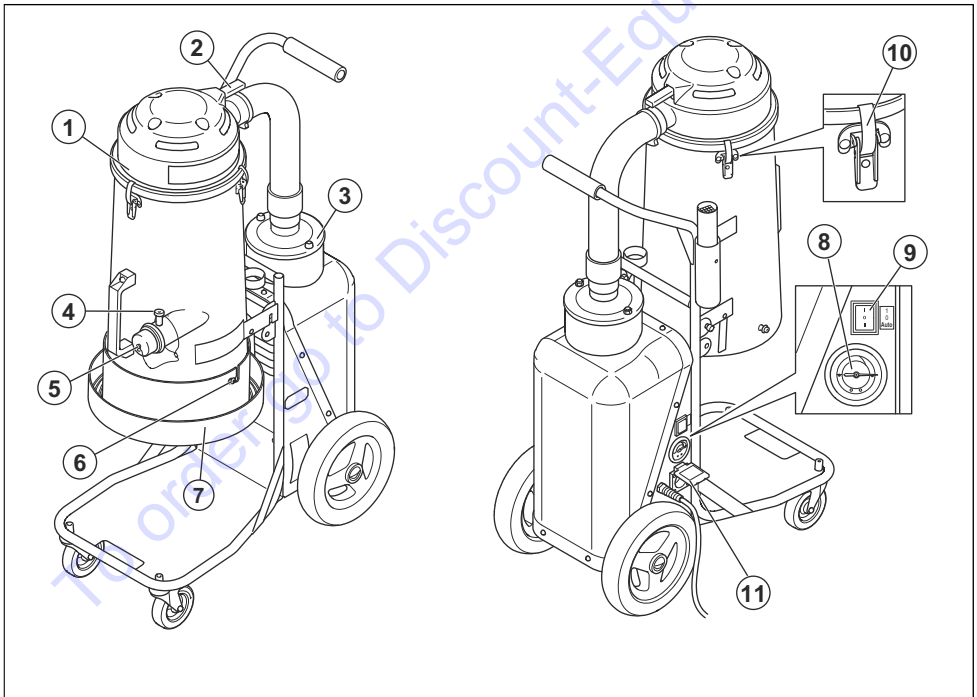
Product description

The product is a single phase dust extractor. Dust-laden air goes through the suction hose into the inlet valve. The product separates the dust particles from the air. The particles falls into the plastic bag at the bottom of the product.

Intended use

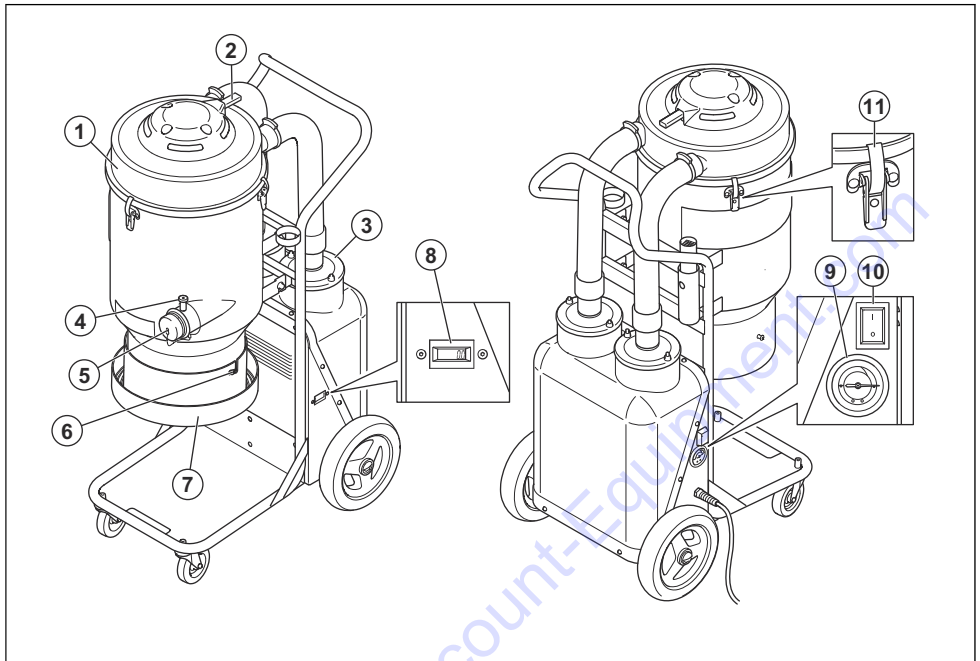
The machine is designed for vacuuming and separating dry, non-combustible dust with an explosion limit value of $>0.1\text{mg/m}^3$. Do not use the product for other tasks.

Product overview S 13



- | | |
|---------------------|------------------------|
| 1. Pre-filter | 6. Longopac connection |
| 2. Jet Pulse Handle | 7. Longopac holder |
| 3. HEPA filter | 8. Manometer |
| 4. Hose lock | 9. ON/OFF |
| 5. Inlet plug | 10. Toggle fastener |

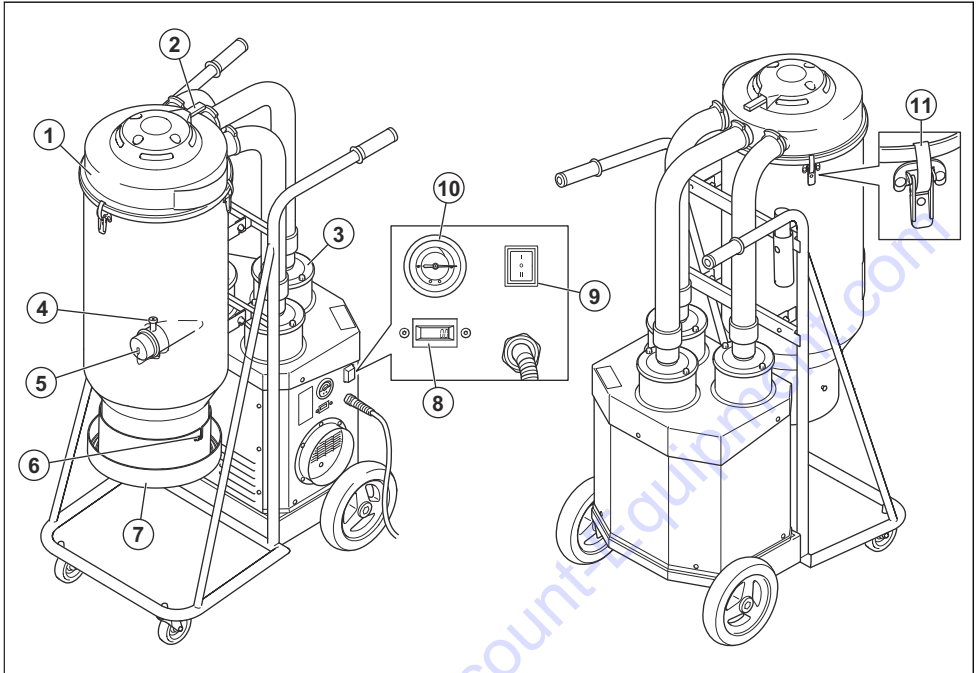
Product overview S 26



1. Pre-filter
2. Jet Pulse Handle
3. HEPA filter
4. Hose lock
5. Inlet plug
6. Longopac connection

7. Longopac holder
8. Hour meter
9. Manometer
10. ON/OFF
11. Toggle fastener

Product overview S 36



1. Pre-filter
2. Jet Pulse Handle
3. HEPA filter
4. Hose lock
5. Inlet plug
6. Longopac connection
7. Longopac holder
8. Hour meter
9. ON/OFF
10. Manometer
11. Toggle fastener



Always use approved ear protection.



Always use approved eye protection.



Symbols on the product



Please read the operator's manual carefully and make sure you understand the instructions before using the product.



Always use an approved breathing mask.

This device is H-classified, certified by a third party according to IEC-60335-2-69, EN-60335-2-69 Annex AA.

This device contains harmful dust. Empty and maintenance operations, including the removal of the dust collection containers, may only be carried out by experts who wear appropriate protective equipment. Never operate the vacuum cleaner without the complete filtration system.

Product liability

As referred to in the product liability laws, we are not liable for damages that our product causes if:

- the product is incorrectly repaired.
- the product is repaired with parts that are not from the manufacturer or not approved by the manufacturer.

- the product has an accessory that is not from the manufacturer or not approved by the manufacturer.
- the product is not repaired at an approved service center or by an approved authority.

Safety

Safety definitions

Warnings, cautions and notes are used to point out specially important parts of the manual.



WARNING: Used if there is a risk of injury or death for the operator or bystanders if the instructions in the manual are not obeyed.



CAUTION: Used if there is a risk of damage to the product, other materials or the adjacent area if the instructions in the manual are not obeyed.

Note: Used to give more information that is necessary in a given situation.

General safety instructions



WARNING: Read the warning instructions before you use the product.

- Always exercise care and use your common sense. If you get into a situation where you feel unsafe, stop and seek expert advice. Contact your dealer, service agent or an experienced user. Do not attempt any task that you feel unsure of!
- Read the operator's manual carefully and understand the instructions before using the product. Save all warnings and instructions for future reference.
- Keep in mind that it is you, the operator that is responsible for not exposing people or their property to accidents or hazards.
- The product must be kept clean. Signs and stickers must be fully legible.
- This machine is not intended for use by persons (including children) with reduced physical, sensory or mental capabilities, or lack of experience and knowledge.
- Do not allow to use as a toy and do not play with the appliance. Close attention is necessary when used by or near children.
- Keep children and unauthorized persons away from machine when in use.

- Operators shall be adequately instructed on the use of the machine.
- Never use this product if you are fatigued, while under the influence of alcohol or drugs, medication or anything that could affect your vision, alertness, coordination or judgment.
- Do not handle plug or machine with wet hands.
- Never use a product that is faulty. Carry out the safety checks, maintenance and service instructions described in this manual. Some maintenance and service measures must be carried out by trained and qualified specialists. Refer to instructions in *Maintenance on page 9*.

Electrical Safety instructions



WARNING: Read the warning instructions that follow before you use the product.

- The dust extractor is equipped with a safety thermal protector to prevent motor from overheating. Should thermal protector activate, turn off machine, unplug power cord and check for full dust bag, vacuum hose clog or filter blockage. It may take up to 45 minutes for the thermal protector to reset.
- Before using the dust extractor make sure that the power & voltage corresponds with the voltage shown on the machines rating plate, including extension cords.
- Connect to a properly grounded outlet only. Refer to *Grounding instructions on page 7*.
- Improper connection of the equipment-grounding conductor can result in a risk of electrical shock. Check with a qualified electrician or service person if you are in doubt as to whether the outlet is properly grounded. Do not modify the plug provided, if it will not fit the outlet have a proper outlet installed by a qualified electrician.
- If using an extension cord make sure the cord rating is suitable for this machine.
- Cables damaged through crushing or splitting can be dangerous if used and should be replaced immediately.
- Do not use with damaged cord or plug. If the machine is not working as it should, has been dropped, damaged, left outdoors or dropped in water. Make sure it is repaired by a qualified person.

- Regularly inspect cord and plug for damage. Do not use with a damaged cord or plug.
- Do not pull or carry by cord, use cord as handle, close a door on cord, or pull cord around sharp edges or corners. Do not allow equipment to run over cord. Keep cord away from heated surfaces.
- Do not unplug by pulling on cord. To unplug, grasp the plug.
- Do not leave machine when plugged in. Unplug cord from outlet when not in use and before cleaning or servicing machine.

- Keep hair, loose clothing, fingers and all parts of body away from openings and moving parts.
- Use extra care when cleaning on stairs.
- Do not use the product without dust bag and/ or filters in place. Replace collection system and/or filters as described in this manual.
- Turn of all controls before unplugging.

Personal protective equipment



WARNING: Read the warning instructions that follow before you use the product.

- Always use approved personal protective equipment during operation. Personal protective equipment does not give you full protection but it decreases the degree of injury if an accident occur. Speak to your servicing dealer for recommendations about which equipment to use.
- Use approved protective gloves when you maintenance the product.

Work area safety



WARNING: Read the warning instructions that follow before you use the product.

- Do not use outdoors or on wet surface, this product is for indoor use only.
- Do not expose the product to rain and moisture, store indoors only.

Safety instructions for maintenance



WARNING: Read the warning instructions that follow before you use the product.

- Make sure the engine switch is in the Off position. Disconnect the product from the wall outlet.
- Do not modify the product from its original design.
- All repairs must be performed by a qualified service person. Use only manufacturer-supplied or equivalent replacement parts.
- Use approved protective equipment. Refer to *Personal protective equipment on page 6*
- Do not make a hole in the HEPA filter. A broken HEPA filter can disperse dust.

Safety instructions for assembly



WARNING: Read the warning instructions that follow before you assemble the product.

- Turn off all controls before unplugging. Do not unplug by pulling on cord. To unplug, grasp the plug.
- Unauthorized modifications and /or accessories may lead so serious injury or death to the user or others.
- Always use genuine accessories.
- Use only attachments as described in this manual. Use only manufacturers recommended attachments.
- Make sure that the assembly area is firm, so the product does not tip over. Risk of personal and material injury.
- Be careful, the toggle fasteners can cause damage to the operator when assemble the product.

Safety instructions for operation



WARNING: Read the warning instructions that follow before you use the product.

- Only use the product indoors.
- Do not pick up anything that is burning or smoking, such as cigarettes, matches or hot ashes.
- Do not use to pick up flammable or combustible liquids, such as gasoline, or use in areas where they may be present.
- This machine is designed for picking up dry, non-flammable dust and debris in an indoor environment. It is not suitable for picking up liquids.
- Do not pick up any type of liquids.
- Do not allow a build-up of dust, hair and anything that may reduce airflow.

Assembly

General

Do a check that the following accessories are included:

- The hose with end fittings
- Steel tube

- Floor Nozzle
- Multi adapter (only S 13/S 26)

If 1 of the parts is missing, speak to your local service agent or salesman.

For models that do not have the front casters assembled because of the limit of package:

- Assemble the front casters using the bolt or the nut and the washer included in the package.

Make sure to dispose the package and the used product components in correct procedure. Refer to local disposal regulations. Make sure to recycle.

To attach the suction hose

There is a hose intake with a hose lock on the product. The hose lock makes sure that the suction hose adapter do not fall off.

1. Lift the hose lock and attach the suction hose adapter.
2. Lower the hose lock into the recess of the adapter.

To attach the nozzle on the hand pipe

The floor nozzle has adjustable wheels. Adjust the wheels to get the best suction effect. Adjust the wheels with the knob, which is on the rear side of the nozzle. The wheels and rubber strips of the nozzle can be replaced. Keep the nozzle in good condition.

Operation

Introduction



WARNING: Before you operate the product, carefully read and understand the safety chapter and the operation instructions.

Before use



WARNING: Before using the dust extractor make sure that the power and voltage corresponds with the voltage shown on the machines rating plate, including extension cords.

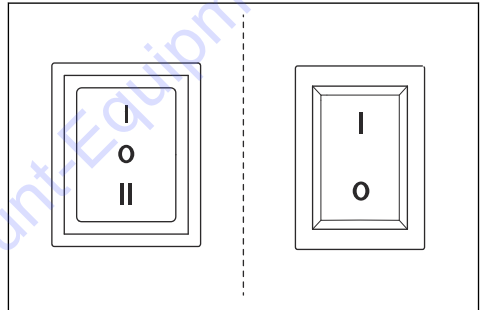
Grounding instructions



WARNING: The dust extractor must be grounded. If it should malfunction or breakdown, grounding provides a path of least resistance for electric current to reduce the risk of electric shock. The dust extractor is equipped with a cord having an equipment-grounding conductor and grounding plug. The plug must be inserted into an appropriate outlet that is properly installed and grounded in accordance with all local codes and ordinances.

To start and stop

Use the switch to start the dust extractor.



Start switch	Models with automatic start	Models without automatic start
Black - 3 step	0: Motor OFF I: Motor ON II: Automatic start	
Red - 2 step		0: Motor OFF I: Motor ON

Automatic start function

When you use the dust extractor together with another machine, there is an electrical outlet on the dust extractor. Connect the machine to this outlet. Then when you start it up the dust extractor will also start after approximately 1-2 seconds. When you turn it off, the dust extractor will continue to run for approximately 10 seconds to empty the hose and then stop.

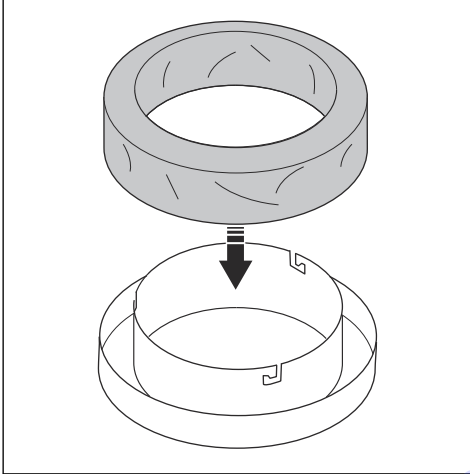
To assemble a new Longopac dust bag



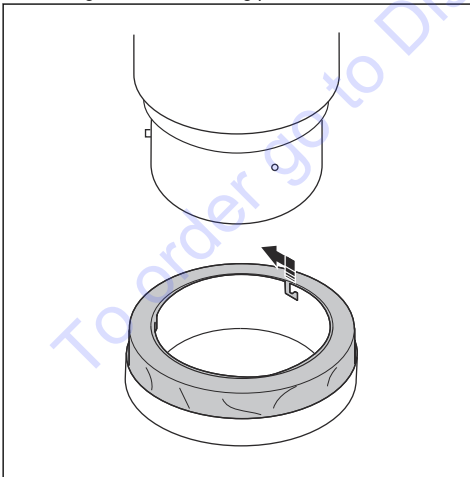
WARNING: Always clean the prefilter before change of bag collection system.

Note: The dust extractor has Longopac system.

1. Put the dust bag in the holder.

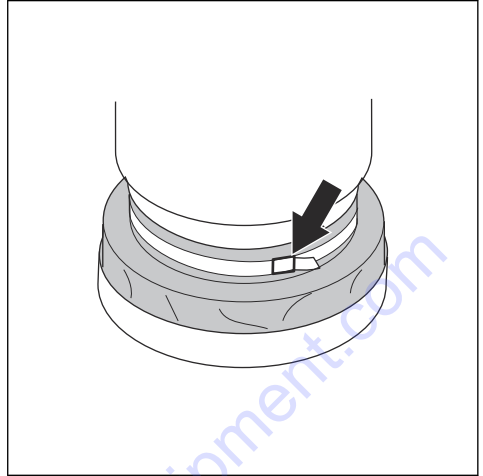


2. Attach the dust bag holder to the container by twisting it on to the holding pins.



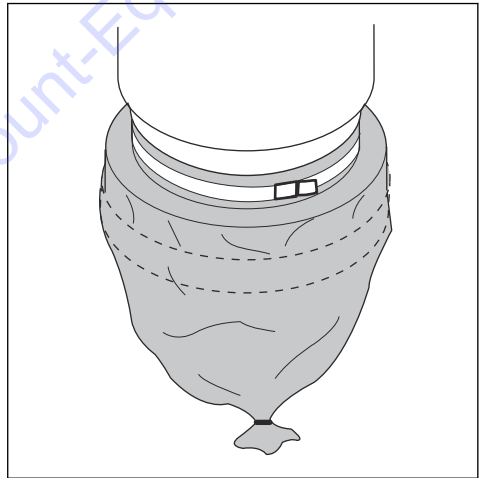
3. Pull the bag up from the bag holder and put it around the container.

4. Tighten a strap around the bag and the container to secure the bag to the container.



5. Pull the dust bag over the bag holder.

6. Close the bottom of the dust bag with a cable tie.



To clean the filter



CAUTION: If suction remains poor, the prefilter needs to be replaced. If suction still remains poor afterwards, the HEPA filters need to be replaced. See instructions in *To change the HEPA filter on page 10*.

The filter must be cleaned from time to time. This must be done before changing the plastic bag collection system and should also be done when work is completed or when there is poor suction.

1. While running the dust extractor, seal the inlet using the inlet plug or the inlet valve.
2. Let the dust extractor build up vacuum for 5 seconds, then quickly push and hold down the Jet Pulse handle for 5 seconds.
3. Repeat step 2 five times. It is important to let the dust extractor rebuild the vacuum in between every repetition.
4. If suction remains poor, the filter should be replaced. Only replace plastic bag after cleaning the filter.

Maintenance

Introduction



WARNING: Use personal safety equipment, refer to *Personal protective equipment on page 6*, during service. Dust can be exposed during maintenance and service.



WARNING: Most accidents involving machines occur during trouble shooting, service and maintenance as staff have to locate themselves within the risk area of the machine. Prevent accidents by being alert and by planning and preparing the work.



WARNING: The engine should be switched off during operations described in this chapter unless otherwise stated.



WARNING: All checks involving electric components should only be performed by a licensed electrician.

Maintenance schedule S - Line Dust Extractor

The maintenance intervals are calculated from daily use of the product. The intervals change if the product is not used daily.

Maintenance	Before each use	Daily	Weekly	When suction is low	6 months or 1000h	12 months or 2000h
Look for signs of wear, damage or loose connections of the controls before the unit is connected.	X					
Do a check that the dust bag/ Longopac is correct.		X				
Do a check of the filter cleaning mechanism.		X				
Do a check of the wheels. Look for damage and bad connections.			X			
Clean the pre-filter.				X		
Replace the pre-filter.					X	
Replace the HEPA filter				X		X

To clean the dust extractor

It is important to clean the dust extractor to prevent circulation of dangerous dust. Always clean the dust extractor before it is moved from the work area.



WARNING: Turn the motor switch to its OFF position and disconnect the cord from the wall outlet before you clean or do maintenance to the product.

- All equipment once used must be regarded as contaminated and be treated thereafter.

- All parts that are contaminated after service work must be disposed in a correct procedure in plastic bags. Refer to local regulations.
- Use correct personal equipment when you clean the product. Refer to *Personal protective equipment on page 6*.
- Clean the external surface with a moist cloth.
- Clean the filters and the dust extractor in applicable area.
- Vacuum the pre-filter from the outside. Always use dust extractors with HEPA-filter and a soft brush to not damage the filter.
- Do not use water on electrical components.
- Do not clean the dust extractor with high pressure (air or water).
- Do not put tools on the surface of the filter, it can cause damage to the filter.
- Do not make a hole in the HEPA filter, it can cause a health risk.

Note: Recommended intervals for filter change: Pre-filter every 6 months and HEPA filters every 12 months.

1. Loosen the screws on the filter cover cap.
2. Carefully lift the filter into a clean plastic bag, this bag must be properly disposed.
3. Insert a new filter in reverse order.

To change the pre-filter



CAUTION: When you remove the pre-filter in order to clean it, use only low pressure water from the inside through to the out. Hitting the filter with force, high pressure water or use of compressed air will destroy the filter. The filter must be 100% dry before returning into the housing.

1. Loosen the 3 toggle fasteners and remove the top.
2. Take the bag from the new filter.
3. Lift out the filter and place it gently in a plastic bag. This bag must be properly disposed.
4. Insert a new filter.

Filter change



WARNING: Use personal safety equipment, refer to *Personal protective equipment on page 6*, during filter change. Dust can come out during filter change.



WARNING: Always turn the motor switch in the Off position and disconnect the cord from the wall outlet during filter change.

To change the HEPA filter



CAUTION: Do not clean HEPA filters. Trying to clean a HEPA filter will destroy it. When installing the replacement filter, make sure to not touch the inside of the filter. Any kind of force/damage on the inside of filter media will destroy the new filter.

Troubleshooting

Troubleshooting schedule

Issue	Cause	Solution
Motor does not start	No power	Plug in machine
	Cable defective	Replace cable
	Switch defective	Replace switch
	Soft start defective	Replace soft start
Motor stops immediately after starting	Wrong fuse	Connect to correct fuse
	Shortcut in cable/machine	Order service

Issue	Cause	Solution
Motor runs but there is not suction	Hose not connected	Connect hose
	Hose blocked	Clean hose
	No dust collection bag	Fit dust collection system
Motor runs but there is poor suction	Hole in hose	Replace hose
	Filter clogged	Clean filter/ Replace filter
	Loose top cover	Adjust
	Dirt in the flap	Clean the flap
	Defective gaskets	Replace affected gaskets
Dust blown from motor	Wrongly assembled or damaged filter system	Adjust/ Replace filters
Abnormal noise		Order service

Transportation, storage and disposal

Transportation of the product

- Make sure that the Longopac bag is empty before a transportation
- Make sure that the Longopac bag is attached to the product during transportation.
- Use ramps or winches to lift the dust extractor to make sure that movements are safe. Get aid if you are not sure about how to lift heavy equipment.
- Attach the product safely during transportation in order to prevent transport damage and accidents.
- Engage the locking caster safely on the wheels.
- If possible, do the transportation of the product during good weather conditions.
- If possible, use a closed vehicle during transportation of the product.

- Do not expose the product to rain or moisture.
- Attach the locking casters safely.
- Disconnect the product from the power source.
- Store the product and the equipment in a dry area with no frost or excessive heat.
- Store all equipment in an locked area, so that it is out of reach of children and unauthorized persons.

Disposal of the product

- Obey the local recycling requirements and applicable regulations.
- When the product no longer is used, send it to the dealer or discard it at a recycling location.

Storage of the product

- The product must be stored inside away from outdoor elements.

Technical data

Technical data

Data	S 13 [220 - 230V]	S 26 [220 - 230V]	S 36 [220 - 230V]	S 13 [110 - 120V]	S 26 [110 - 120V]
Rated Voltage (1 phase), V	220 - 230	220 - 230	220 - 230	110 - 120	110 - 120
Frequency, Hz	50 - 60	50 - 60	50 - 60	50 - 60	50 - 60

Data	S 13 [220 - 230V]	S 26 [220 - 230V]	S 36 [220 - 230V]	S 13 [110 - 120V]	S 26 [110 - 120V]
Power (max), kW (HP)	1.2 (1.6)	2.4 (3.2)	3.6 (4.8)	1.2 (1.6)	2.4 (3.2)
Current (max), A	5	9	14	8	16
Airflow (max), m ³ /h (cfm)	200 (118)	400 (236)	600 (354)	219 (129)	438 (258)
Vacuum (max), kPa (psi)	22 (3.2)	22 (3.2)	22 (3.2)	24 (3.5)	24 (3.5)
Main hose length, m (ft)	4 (13)	7.5 (25)	10 (33)	4 (13)	7.5 (25)
Main hose diameter, mm (in.)	38 (1.5)	51 (2)	63 (2.5)	38 (1.5)	51 (2)
Inlet diameter, mm (in.)	38 (1.5)	63 (2.5)	63 (2.5)	38 (1.5)	63 (2.5)
Auxiliary outlet	Yes	No	No	No	No
Max load Auxiliary outlet, W	1200	N/A	N/A	N/A	N/A
Pre-filter, % at 1µm	99.5	99.5	99.5	99.5	99.5
Pre-filter area, m ² (ft ²)	1.5 (16)	3 (32)	4.5 (48)	1.5 (16)	3 (32)
HEPA filter 99,99% at 0.3 µm	1	2	3	1	2
Total HEPA filter area, m ² (ft ²)	1.2 (13)	2.4 (26)	3.6 (39)	1.2 (13)	2.4 (26)
Dust collection system, type	Longopac	Longopac	Longopac	Longopac	Longopac
Filter Cleaning Mechanism	Jet Pulse	Jet Pulse	Jet Pulse	Jet Pulse	Jet Pulse
Dimensions (L*W*H), mm (in.)	680x400x1100 (26x15.8x43.3)	756x546x1275 (29x21.5x50.2)	830x620x1500 (32.5x24.5x60)	680x400x1100 (26x15.8x43.3)	756x546x1275 (29x21.5x50.2)
Weight, kg (lbs)	29 (66)	47 (105)	63 (140)	29 (66)	47 (105)
Sound power level L _{WA} measured, dB(A) ¹	87.3	92.4	99.9	87.3	92.4
Sound pressure level L _{PA} at the operators ear, dB(A) ²	76	79.6	84.5	76	79.6
Vibration level a _h , m/s ² ₃	≤2.5				

¹ Noise emissions in the environment measured as sound power (LWA) in conformity with EN 60335-2-69. Uncertainty Kwa 2dB.

² Noise pressure level according to EN 60335-2-69. Uncertainty KPA 2dB.

³ Vibration level according to EN 60335-2-69. Reported data for vibration level has a typical statistical dispersion (standard deviation) of 1 m/s²

EC Declaration of Conformity

EU Declaration of Conformity

CE

Description	Dust Extractors
Brand	HUSQVARNA
Type / Model	S 13, S 13 230V, S 13 120V, S 26, S 26 230V, S 26 120V, S 36, S 26 230V, S 36 120V
Identification	Serial numbers dating from 2018 and onwards

complies fully with the following EU directives and regulations:

Directive/Regulation	Description
2006/42/EC	"relating to machinery"
2011/65/EU	"relating to restriction of hazardous substances"

and that harmonized standards and/ or technical specifications are applied as follows;

EN ISO 12100:2010

EN 60335-1:2012/A11:2014/AC:2014

EN 60335-2-69:2012

Partille, 2018-11-30

Sommaire

Introduction.....	14	Dépannage.....	23
Sécurité.....	17	Transport, entreposage et mise au rebut.....	24
Montage.....	19	Caractéristiques techniques.....	24
Utilisation.....	19	Déclaration de conformité CE.....	26
Entretien.....	21		

Introduction

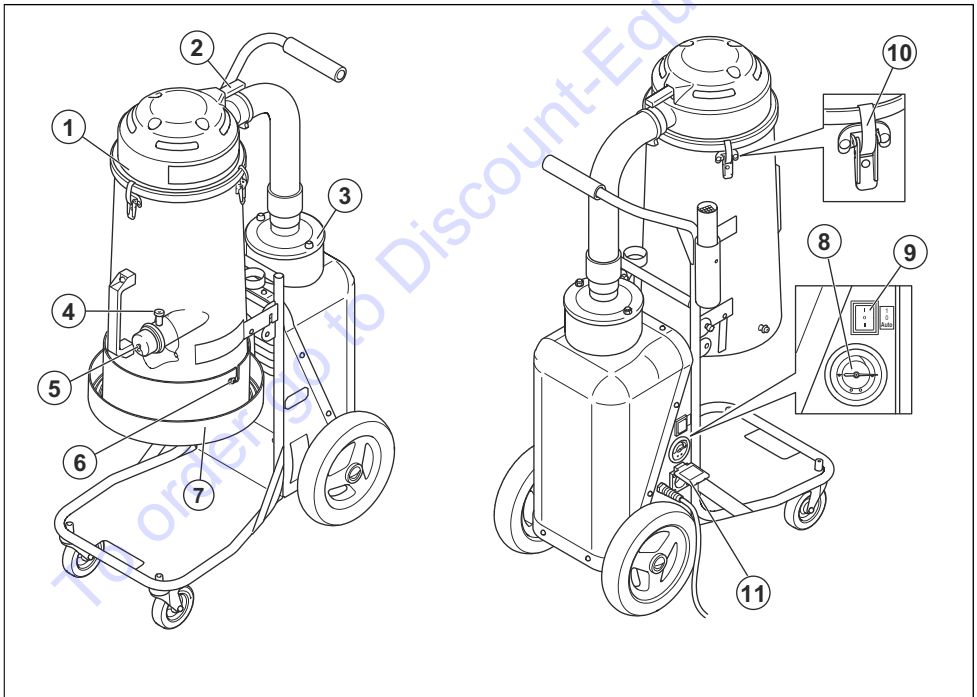
Description du produit

Le produit est un extracteur de poussière monophasé. L'air chargé de poussière passe par le tuyau d'aspiration jusqu'à la soupape d'admission. Le produit sépare les particules de poussière de l'air. Les particules tombent dans le sac en plastique situé à la base du produit.

Utilisation prévue

La machine est conçue pour l'aspiration et la séparation de la poussière sèche incombustible, la valeur limite d'explosion étant de $> 0,1 \text{ mg/m}^3$. N'utilisez pas ce produit pour d'autres travaux.

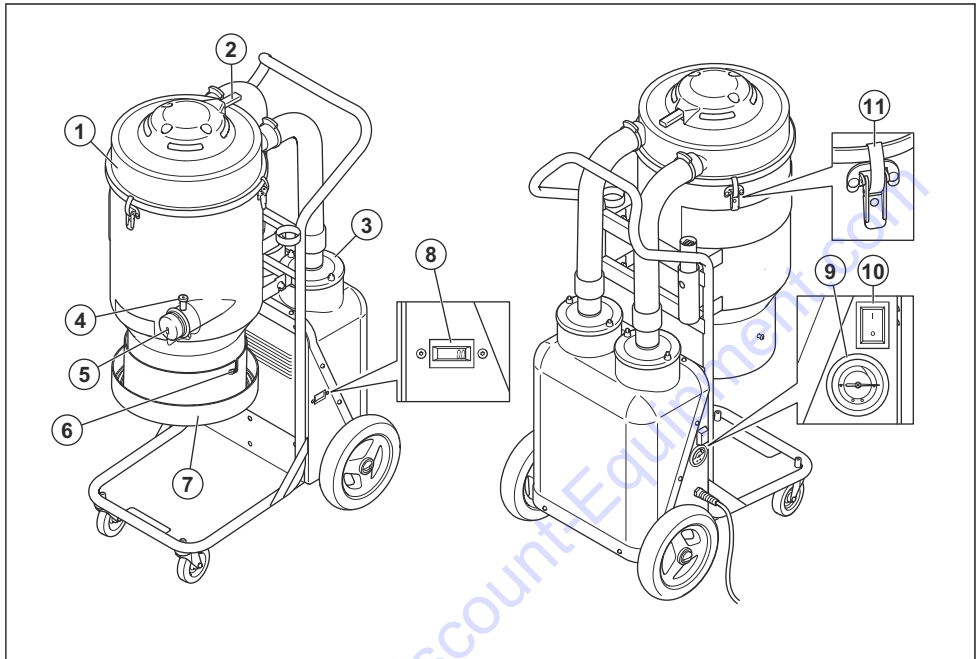
Présentation du produit S 13



- | | |
|------------------------|--------------------------|
| 1. Pré-filtre | 6. Raccord pour Longopac |
| 2. Poignée Jet Pulse | 7. Support pour Longopac |
| 3. HEPA filter | 8. Manomètre |
| 4. Clapet | 9. INTERRUPTEUR |
| 5. Bouchon d'admission | 10. Fixation à bascule |

11. Prise auxiliaire pour les outils électriques (220-230 V uniquement)

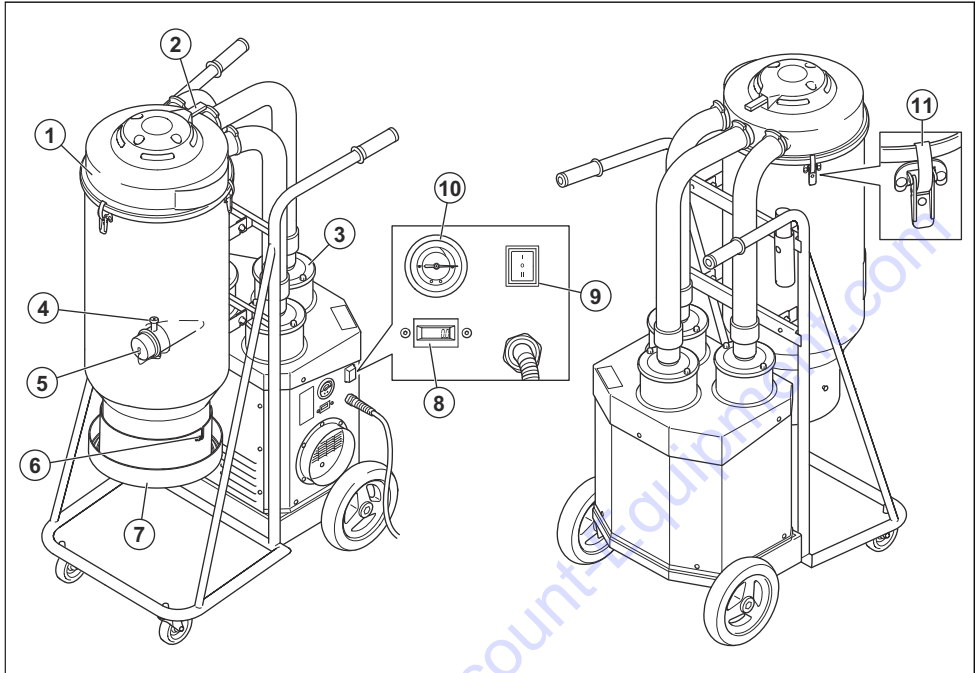
Présentation du produit S 26



1. Pré-filtre
2. Poignée Jet Pulse
3. HEPA filter
4. Clapet
5. Bouchon d'admission
6. Raccord pour Longopac

7. Support pour Longopac
8. Compteur horaire
9. Manomètre
10. INTERRUPTEUR
11. Fixation à bascule

Présentation du produit S 36



1. Pré-filtre
2. Poignée Jet Pulse
3. HEPA filter
4. Clapet
5. Bouchon d'admission
6. Raccord pour Longopac
7. Support pour Longopac
8. Compteur horaire
9. INTERRUPTEUR
10. Manomètre
11. Fixation à bascule



Portez des protections pour les yeux homologuées en toutes circonstances.



Cet appareil de classe H est certifié par un tiers selon la norme IEC-60335-2-69, EN-60335-2-69 annexe AA.

Cet appareil contient des poussières nocives. Les opérations d'entretien et de vidage, parmi lesquelles la dépose des conteneurs de collecte de la poussière, peuvent uniquement être réalisées par des spécialistes portant un équipement de protection adéquat. N'utilisez jamais l'aspirateur sans le système de filtration complet.

Responsabilité

Conformément à la loi sur la responsabilité du fait des produits, nous déclinons toute responsabilité pour tout dommage causé par notre produit si :

- le produit n'est pas correctement réparé ;

Symboles concernant le produit



Lisez attentivement et assimilez le manuel d'utilisation avant d'utiliser le produit.



Portez un masque respiratoire homologué en toutes circonstances.



Portez des protège-oreilles homologués en toutes circonstances.

- le produit est réparé avec des pièces qui ne proviennent pas du fabricant ou qui ne sont pas homologuées par le fabricant ;
- le produit est équipé d'un accessoire qui ne provient pas du fabricant ou qui n'est pas homologué par le fabricant ;
- le produit n'est pas réparé par un centre d'entretien agréé ou par une autorité homologuée.

Sécurité

Définitions de sécurité

Des avertissements, des recommandations et des remarques sont utilisés pour souligner des parties spécialement importantes du manuel.



AVERTISSEMENT: Symbole utilisé en cas de risque de blessures ou de mort pour l'opérateur ou les personnes à proximité si les instructions du manuel ne sont pas respectées.



REMARQUE: Symbole utilisé en cas de risque de dommages pour le produit, d'autres matériaux ou les environs si les instructions du manuel ne sont pas respectées.

Remarque: Symbole utilisé pour donner des informations supplémentaires pour une situation donnée.

Instructions générales de sécurité



AVERTISSEMENT: Lisez les avertissements avant d'utiliser le produit.

- Soyez toujours prudent et utilisez votre bon sens. En cas de doute ou de difficulté quant à l'utilisation de la machine, consultez un spécialiste. Veuillez contacter votre revendeur, votre atelier de réparation ou un utilisateur expérimenté. L'utilisateur doit éviter d'utiliser la machine s'il ne se sent pas suffisamment qualifié pour le travail à effectuer !
- Lisez attentivement le manuel de l'opérateur et assimilez-le avant d'utiliser ce produit. Conservez toutes ces consignes et instructions pour toute consultation ultérieure.
- N'oubliez pas que c'est vous, l'opérateur, qui êtes responsable de protéger les tiers et leurs biens de tout accident ou danger.
- Le produit doit rester propre. Les signes et autocollants doivent être parfaitement lisibles.
- La machine n'est pas destinée à être utilisée par des personnes (ou des enfants) aux capacités physiques, sensorielles ou mentales limitées ou manquant d'expérience et de connaissances.

- Cette machine n'est pas un jouet et ne doit pas être utilisée comme tel. Une attention particulière est nécessaire lorsqu'il est utilisé par ou à proximité d'enfants.
- Tenez les enfants et les personnes non autorisées à l'écart de la machine lors de son utilisation.
- Les opérateurs doivent être suffisamment formés à l'utilisation de la machine.
- N'utilisez jamais ce produit si vous êtes fatigué, avez consommé de l'alcool ou pris des médicaments susceptibles d'affecter votre vue, votre jugement ou la maîtrise de votre corps.
- Ne manipulez pas la fiche ou la machine avec les mains mouillées.
- N'utilisez jamais un produit qui n'est pas en parfait état de marche. Appliquez les instructions de maintenance et d'entretien ainsi que les contrôles de sécurité indiqués dans ce manuel d'utilisation. Certaines opérations de maintenance et d'entretien doivent être réalisées par un spécialiste dûment formé et qualifié. Reportez-vous aux instructions dans la section *Entretien à la page 21*.

Instructions relatives à la sécurité électrique



AVERTISSEMENT: Lisez les instructions qui suivent avant d'utiliser le produit.

- L'extracteur de poussière est équipé d'une protection thermique de sécurité afin d'éviter toute surchauffe du moteur. Si la protection thermique s'active, arrêtez la machine, débranchez le cordon d'alimentation et vérifiez si le sac à poussière est plein, si le tuyau d'aspiration est bouché ou si le filtre est colmaté. 45 minutes maximum peuvent être nécessaires pour la réinitialisation de la protection thermique.
- Avant d'utiliser l'extracteur de poussière, assurez-vous que la puissance et la tension correspondent aux données indiquées sur la plaque signalétique de la machine, y compris pour les rallonges électriques.
- Branchez-la uniquement sur une prise mise correctement à la terre. Reportez-vous à la section *Instructions de mise à la terre à la page 19*.
- Un mauvais branchement du fil de mise à la terre peut provoquer un choc électrique. Faites vérifier par un électricien professionnel ou par la personne chargée de l'entretien que la prise est correctement

mise à la terre. Ne modifiez pas la fiche fournie ; si elle n'est pas compatible avec la prise, demandez à un électricien diplômé d'installer une prise qui convienne.

- Si vous utilisez une rallonge électrique, assurez-vous que son calibre est adapté à la machine.
- Les câbles endommagés par écrasement ou entaillés peuvent être dangereux et doivent être remplacés immédiatement.
- N'utilisez pas la machine si le cordon d'alimentation ou la fiche est endommagé(e), si elle ne fonctionne pas correctement, est tombée, a été endommagée, oubliée dehors ou plongée dans l'eau. Assurez-vous de la faire réparer par une personne qualifiée.
- Contrôlez régulièrement le cordon et la fiche pour déceler d'éventuels dommages. N'utilisez pas la machine si le cordon d'alimentation ou la fiche est endommagé(e).
- Évitez de tirer et de transporter la machine par le cordon, d'utiliser le cordon comme poignée, de coincer le cordon dans une porte et de tirer le cordon sur des bords ou des coins tranchants. Ne laissez pas l'équipement rouler sur le cordon. Maintenez le cordon à l'écart de surfaces chauffantes.
- Ne tirez pas sur le cordon pour débrancher la machine. Tirez sur la fiche,
- Ne laissez pas la machine sans surveillance lorsqu'elle est branchée. Débranchez le cordon d'alimentation lorsque la machine n'est pas utilisée et avant de la nettoyer ou de la réparer.

Consignes de sécurité pour l'assemblage



AVERTISSEMENT: Lisez les avertissements qui suivent avant d'assembler le produit.

- Désactivez toutes les commandes avant de débrancher la machine. Ne tirez pas sur le cordon pour débrancher la machine. Tirez sur la fiche,
- Les modifications et/ou accessoires non autorisés peuvent entraîner des blessures graves, voire mortelles à l'utilisateur ou à d'autres personnes présentes.
- N'utiliser que des accessoires et des pièces d'origine.
- Utilisez uniquement les accessoires comme décrit dans ce manuel. Utilisez uniquement des accessoires recommandés par le fabricant.
- Assurez-vous que la zone d'assemblage est stable afin d'éviter que le produit ne se renverse. Risques de blessures et de dégâts matériels.
- Faites preuve de prudence, car les fixations à bascule peuvent vous blesser lors de l'assemblage du produit.

Consignes de sécurité pour le fonctionnement



AVERTISSEMENT: Lisez les instructions qui suivent avant d'utiliser le produit.

- Utilisez uniquement le produit à l'intérieur.
- N'aspirez aucun corps incandescent ou fumant, tels que cigarettes, allumettes ou cendres chaudes.
- Ne l'utilisez pas pour aspirer des liquides inflammables ou combustibles, tels que l'essence, ni dans des zones où ces éléments peuvent être présents.
- Cette machine est conçue pour ramasser de la poussière et des débris secs et non inflammables dans un environnement intérieur. Elle ne convient pas pour la récupération de liquides.
- N'aspirez aucun liquide, quel qu'il soit.
- Ne laissez pas de la poussière, des cheveux et tout corps qui pourrait réduire le flux d'air s'accumuler.
- Maintenez les cheveux, les vêtements amples, les doigts et toute autre partie du corps à l'écart des ouvertures et des pièces mobiles.
- Faites preuve d'une extrême prudence lors du nettoyage d'escaliers.
- N'utilisez pas le produit sans sac à poussière et/ou sans filtres. Remplacez le système de collecte et/ou les filtres comme décrit dans ce manuel.
- Désactivez toutes les commandes avant de débrancher le produit.

Équipement de protection individuelle



AVERTISSEMENT: Lisez les instructions qui suivent avant d'utiliser le produit.

- Portez un équipement de protection individuel homologué pendant le fonctionnement. L'équipement de protection individuelle ne protège pas complètement, mais il diminue la gravité des blessures en cas d'accident. Contactez votre atelier d'entretien pour obtenir des recommandations sur l'équipement à utiliser.
- Portez des gants de protection homologués lorsque vous procédez à la maintenance du produit.

Sécurité dans l'espace de travail



AVERTISSEMENT: Lisez les instructions qui suivent avant d'utiliser le produit.

- N'utilisez pas ce produit à l'extérieur ou sur une surface mouillée. Ce produit est destiné à un usage en intérieur et à sec uniquement.
- N'exposez pas le produit à la pluie et à l'humidité, entreposez-le à l'intérieur uniquement.

Consignes de sécurité pour l'entretien



AVERTISSEMENT: Lisez les instructions qui suivent avant d'utiliser le produit.

- Veillez à ce que l'interrupteur de marche/arrêt du moteur soit en position d'arrêt. Débranchez le produit de la prise murale.

- Ne modifiez pas la conception d'origine du produit.
- Toutes les réparations doivent être effectuées par un technicien qualifié. Utilisez uniquement les pièces de rechange fournies par le fabricant ou des pièces équivalentes.
- Utilisez un équipement de protection homologué. Reportez-vous à *Équipement de protection individuelle* à la page 18
- Ne faites pas de trou dans le HEPA filter. Un HEPA filter cassé peut disperser la poussière.

Montage

Généralités

Vérifiez que les accessoires suivants sont inclus :

- Tuyau avec raccords d'extrémité
- Tube en acier
- Brosse pour le sol
- Adaptateur multiple (uniquement S 13/S 26)

S'il manque une pièce, contactez l'atelier spécialisé le plus proche ou votre commercial.

Pour les modèles dont les roulettes avant n'ont pas été assemblées en raison des limites de l'emballage :

- Montez les roulettes avant en utilisant le boulon ou l'écrou et la rondelle inclus dans l'emballage.

Assurez-vous de mettre au rebut l'emballage et les composants usagés du produit convenablement. Reportez-vous aux réglementations locales en termes de mise au rebut. Assurez-vous de recycler les composants.

Pour fixer le tuyau d'aspiration

L'orifice du tuyau, doté d'un clapet, se trouve sur le produit. Le clapet permet de s'assurer que l'adaptateur du tuyau d'aspiration ne tombe pas.

1. Soulevez le clapet et fixez l'adaptateur du tuyau d'aspiration.
2. Abaissez le clapet dans l'évidement de l'adaptateur.

Pour installer la brosse sur le tuyau à main

La brosse pour le sol est dotée de roues réglables. Réglez les roues afin d'obtenir le meilleur effet d'aspiration. Réglez les roues avec le bouton situé à l'arrière de la buse. Les roues et les bandes de caoutchouc de la brosse sont remplaçables. Maintenez la brosse en bon état.

Utilisation

Introduction



AVERTISSEMENT: avant d'utiliser la machine, veillez à bien lire et comprendre le chapitre sur la sécurité et les instructions de montage.

Avant chaque utilisation



AVERTISSEMENT: Avant d'utiliser l'extracteur de poussière, assurez-vous que la puissance et la tension correspondent aux données indiquées sur la plaque signalétique de la machine, y compris pour les rallonges électriques.

Instructions de mise à la terre

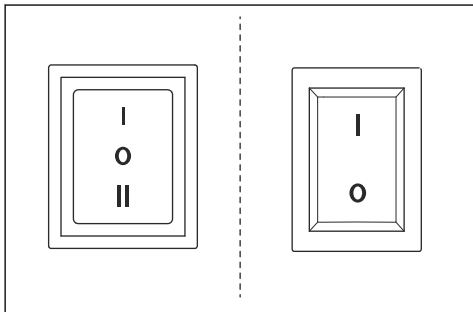


AVERTISSEMENT: L'extracteur de poussière doit être mis à la terre. En cas de panne ou de dysfonctionnement de la

machine, la mise à la terre fournit un chemin de moindre résistance pour le courant électrique afin de réduire le risque de choc électrique. L'extracteur de poussière est équipé d'un cordon d'alimentation doté d'un fil de mise à la terre et d'une fiche de mise à la terre. La fiche doit être insérée dans une prise appropriée correctement installée et mise à la terre conformément aux normes et aux réglementations locales.

Pour démarrer et arrêter

Utilisez l'interrupteur pour démarrer l'extracteur de poussière.



Interrupteur de démarrage	Modèles avec démarrage automatique	Modèles sans démarrage automatique
Noir - 3 étapes	O : Moteur éteint I : Moteur allumé II : Démarrage automatique	
Rouge - 2 étapes		O : Moteur éteint I : Moteur allumé

Fonction de démarrage automatique

Une prise électrique vous permet d'utiliser l'extracteur de poussière avec une autre machine. Branchez la machine à cette prise. Lorsque vous l'allumez, l'extracteur de poussière démarre après environ 1 à 2 secondes. Lorsque vous l'éteignez, l'extracteur de poussière continue de fonctionner pendant environ 10 secondes pour vider le tuyau, puis s'arrête.

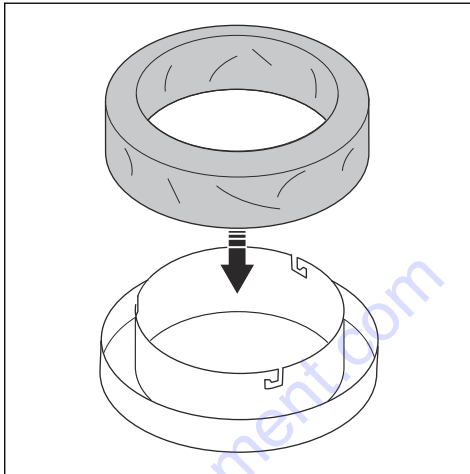
Pour monter un nouveau sac à poussière pour Longopac



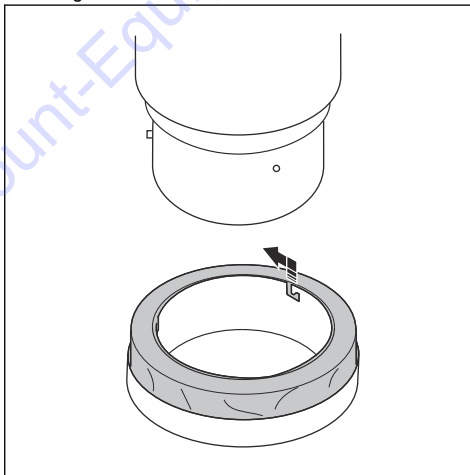
AVERTISSEMENT: Nettoyez toujours le préfiltre avant le remplacement du système de sac de collecte.

Remarque: L'extracteur de poussière dispose d'un système Longopac.

1. Mettez le sac à poussière dans le porte-sac.

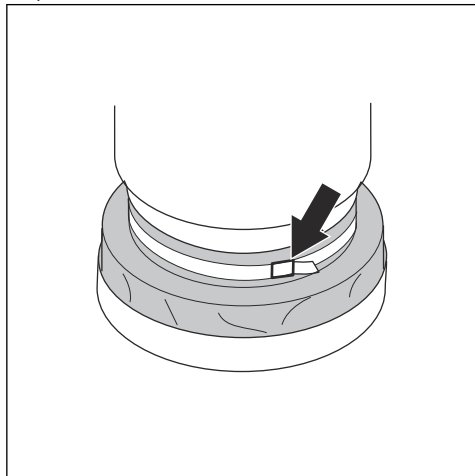


2. Fixez le porte-sac sur le conteneur en l'enroulant sur les tiges de fixation.

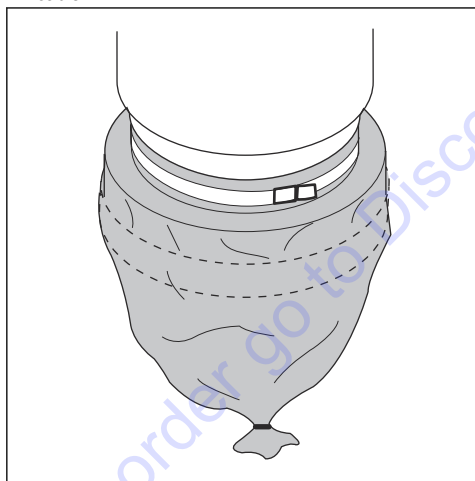


3. Retirez le sac du porte-sac en tirant vers le haut pour le placer autour du conteneur.

4. Enserrez le sac et le conteneur avec une sangle pour fixer le sac sur le conteneur.



5. Placez le sac à poussière par-dessus le porte-sac.
6. Fermez la base du sac à poussière avec un serre-câble.



Pour nettoyer le filtre



REMARQUE: Si la qualité de l'aspiration ne s'améliore pas, remplacez le pré-filtre. Si l'aspiration reste mauvaise, remplacez les filtres HEPA. Reportez-vous aux instructions à la section *Pour remplacer le filtre HEPA à la page 23*.

Le filtre doit être nettoyé régulièrement. Cette opération doit être effectuée avant le remplacement du système de sac de collecte en plastique et doit également être effectuée lorsque le travail est terminé ou que la qualité d'aspiration est mauvaise.

1. Lorsque vous utilisez l'extracteur de poussière, bouchez l'admission à l'aide du bouchon ou de la soupape d'admission.
2. Laissez le dust extractor produire du vide pendant 5 secondes, puis poussez rapidement la poignée Jet Pulse et maintenez-la vers le bas pendant 5 secondes.
3. Répétez l'étape 2 cinq fois. Il est important de laisser le dust extractor produire du vide entre chaque répétition.
4. Si la qualité de l'aspiration ne s'améliore pas, remplacez le filtre. Ne remplacez le sac en plastique qu'une fois le nettoyage du filtre effectué.

Entretien

Introduction



AVERTISSEMENT: Pendant l'entretien, utilisez un équipement de protection individuelle, reportez-vous à la section *Équipement de protection individuelle à la page 18*. De la poussière peut être libérée pendant les travaux d'entretien ou de réparation.



AVERTISSEMENT: La plupart des accidents impliquant des machines se produisent lors de dépannages, de réparations ou de travaux d'entretien, lorsqu'un membre du personnel doit pénétrer dans la zone de risque de la machine. Prévenez des accidents en étant attentif et en planifiant et préparant le travail.



AVERTISSEMENT: Le moteur doit, sauf mention contraire, être éteint lors des opérations décrites dans ce chapitre.

doivent être effectuées que par un électricien agréé.



AVERTISSEMENT: Toutes les vérifications concernant les composants électriques ne

Calendrier de maintenance du S - Line Dust Extractor

Les intervalles d'entretien sont calculés selon une utilisation quotidienne du produit. Les intervalles sont différents si le produit n'est pas utilisé tous les jours.

Entretien	Avant chaque utilisation	Au quotidien	Toutes les semaines	En cas d'aspiration faible	6 mois ou 1 000 h	12 mois ou 2 000 h
Recherchez des signes d'usure, de dommages ou des raccords desserrés des commandes avant de brancher l'unité.	X					
Vérifiez que le sac à poussière/ Longopac est bien installé et en bon état.		X				
Vérifiez le mécanisme de nettoyage des filtres.		X				
Vérifiez les roues. Recherchez des dommages et de mauvais raccords.			X			
Nettoyez le pré-filtre.				X		
Remplacez le pré-filtre.					X	
Remplacez le HEPA filter				X		X

Pour nettoyer l'extracteur de poussière

Il est important de nettoyer l'extracteur de poussière pour éviter toute circulation de poussière nocive. Nettoyez toujours l'extracteur de poussière avant de le déplacer de la zone de travail.



AVERTISSEMENT: Avant de nettoyer le produit ou d'en effectuer la maintenance, placez l'interrupteur de moteur en position d'arrêt et débranchez le cordon de la prise murale.

- Tout équipement utilisé une fois doit être considéré comme contaminé et être traité en conséquence.
- Une fois la maintenance terminée, toutes les pièces contaminées doivent être mises au rebut convenablement dans des sacs en plastique. Reportez-vous à la législation locale.

- Utilisez un équipement de protection individuel approprié lorsque vous nettoyez le produit. Reportez-vous à la section *Équipement de protection individuelle* à la page 18.
- Nettoyez la surface externe avec un chiffon humide.
- Nettoyez les filtres et l'extracteur de poussière dans la zone de travail.
- Videz le pré-filtre depuis l'extérieur. Utilisez toujours les extracteurs de poussière avec un filtre HEPA et une brosse douce pour ne pas endommager le filtre.
- N'utilisez pas d'eau sur les composants électriques.
- Ne nettoyez pas l'extracteur de poussière à haute pression (air ou eau).
- Ne placez pas d'outils sur la surface du filtre car cela pourrait l'endommager.
- Ne faites pas de trou dans le HEPA filter, car cela peut constituer un risque pour la santé.

Remplacement du filtre



AVERTISSEMENT: Lors du remplacement du filtre, utilisez un équipement de protection individuelle, reportez-vous à la section *Équipement de protection individuelle à la page 18*. De la poussière peut s'échapper lors du remplacement du filtre.



AVERTISSEMENT: Mettez toujours l'interrupteur de moteur en position d'arrêt et débranchez le cordon de la prise murale lors du remplacement du filtre.

Pour remplacer le filtre HEPA



REMARQUE: Ne nettoyez pas les filtres HEPA. Le nettoyage des filtres HEPA provoque leur destruction. Lors de l'installation du filtre de rechange, veillez à ne pas toucher l'intérieur du filtre. Tout type de force/dommage à l'intérieur de la couche filtrante provoque la destruction du filtre neuf.

Remarque: Intervalles de changement de filtre recommandés : Pré-filtres tous les 6 mois et filtres HEPA tous les 12 mois.

1. Desserrez les vis sur le couvercle du filtre.
2. Soulevez délicatement le filtre et mettez-le dans un sac en plastique propre. Ce sac doit être mis au rebut convenablement.
3. Insérez un nouveau filtre dans l'ordre inverse.

Pour changer le pré-filtre



REMARQUE: Lorsque vous retirez le pré-filtre afin de le nettoyer, utilisez uniquement de l'eau à basse pression que vous ferez couler de l'intérieur vers l'extérieur. Frapper le filtre avec force ou utiliser de l'eau à haute pression ou de l'air comprimé provoque la destruction du filtre. Le filtre doit être entièrement sec avant d'être remis en place.

1. Desserrez les 3 fixations à bascule et retirez la partie supérieure.
2. Retirez le sac du nouveau filtre.
3. Sortez le filtre et placez-le délicatement dans un sac en plastique. Ce sac doit être mis au rebut de manière appropriée.
4. Insérez un filtre neuf.

Dépannage

Guide de dépannage

Problème	Cause	Solution
Le moteur ne démarre pas	Absence de courant	Branchez la machine
	Câble défectueux	Remplacez le câble
	Interrupteur défectueux	Remplacez l'interrupteur
	Démarrage en douceur défectueux	Remplacez le démarrage en douceur
Le moteur s'arrête juste après le démarrage	Mauvais fusible	Installez un fusible adapté
	Court-circuit dans le câble/machine	Faites examiner l'appareil
Le moteur tourne, mais il n'y a pas d'aspiration	Tuyau non raccordé	Raccordez le tuyau
	Tuyau obstrué	Nettoyez le tuyau
	Pas de sac de collecte de poussière	Installez un système de collecte

Problème	Cause	Solution
Le moteur tourne, mais l'aspiration est faible	Tuyau percé	Remplacez le tuyau
	Filtre bouché	Nettoyez/remplacez le filtre
	Capot supérieur desserré	Réglez
	Impuretés dans le volet	Nettoyez le volet
	Joints défectueux	Remplacez les joints concernés
De la poussière s'échappe du moteur	Système de filtre endommagé ou mal assemblé	Réglez/remplacez les filtres
Bruit anormal		Faites examiner l'appareil

Transport, entreposage et mise au rebut

Transport du produit

- Assurez-vous que le sac Longopac est vide avant de transporter le produit
- Assurez-vous que le sac Longopac est fixé au produit pendant le transport.
- Utilisez des rampes ou des treuils pour soulever l'extracteur de poussière et vous assurer que les mouvements sont sûrs. Demandez de l'aide si vous avez des doutes concernant le levage des équipements lourds.
- Sécurisez le produit lors du transport afin d'éviter tout dommage ou accident.
- Verrouillez les roulettes pour plus de sécurité.
- Dans la mesure du possible, transportez le produit lorsque les conditions météorologiques sont favorables.
- Si possible, utilisez un véhicule fermé pendant le transport du produit.

Remisage du produit

- Le produit doit être stocké à l'intérieur, à l'abri des éléments extérieurs.
- Protégez le produit de la pluie et de l'humidité.
- Fixez les roulettes pour plus de sécurité.
- Débranchez le produit de la source d'alimentation.
- Conservez le produit et l'équipement dans un endroit sec, à l'abri du gel et de chaleurs excessives.
- Entreposez l'équipement dans un endroit qui peut être fermé à clé, de façon à ce qu'il soit inaccessible aux enfants et aux personnes non autorisées.

Mise au rebut du produit

- Respectez les consignes locales de recyclage et la réglementation en vigueur.
- Lorsque vous n'utilisez plus le produit, renvoyez-le au concessionnaire ou mettez-le au rebut dans une déchetterie.

Caractéristiques techniques

Caractéristiques techniques

Caractéristiques	S 13 [220 - 230 V]	S 26 [220 - 230 V]	S 36 [220 - 230 V]	S 13 [110 - 120 V]	S 26 [110 - 120 V]
Tension nominale (1 phase), V	220 - 230	220 - 230	220 - 230	110 - 120	110 - 120
Fréquence, Hz	50 - 60	50 - 60	50 - 60	50 - 60	50 - 60
Puissance (maxi.), kW (ch)	1,2 (1,6)	2,4 (3,2)	3,6 (4,8)	1,2 (1,6)	2,4 (3,2)
Courant (maxi.), A	5	9	14	8	16

Caractéristiques	S 13 [220 - 230 V]	S 26 [220 - 230 V]	S 36 [220 - 230 V]	S 13 [110 - 120 V]	S 26 [110 - 120 V]
Débit d'air (maxi.), m ³ /h (pi ³ /min)	200 (118)	400 (236)	600 (354)	219 (129)	438 (258)
Vide (max), kPa (psi)	22 (3,2)	22 (3,2)	22 (3,2)	24 (3,5)	24 (3,5)
Longueur du tuyau principal, m (pi)	4 (13)	7,5 (25)	10 (33)	4 (13)	7,5 (25)
Diamètre du tuyau principal, mm (po)	38 (1,5)	51 (2)	63 (2,5)	38 (1,5)	51 (2)
Diamètre de l'admission, mm (po)	38 (1,5)	63 (2,5)	63 (2,5)	38 (1,5)	63 (2,5)
Sortie auxiliaire	Oui	Non	Non	Non	Non
Charge maxi. sortie auxiliaire, W	1 200	ND	ND	ND	ND
Pré-filtre, % à 1 µm	99,5	99,5	99,5	99,5	99,5
Zone du pré-filtre, m ² (pi ²)	1,5 (16)	3 (32)	4,5 (48)	1,5 (16)	3 (32)
HEPA filter 99,99 % à 0,3 µm	1	2	3	1	2
Surface totale HEPA filter, m ² (pi ²)	1,2 (13)	2,4 (26)	3,6 (39)	1,2 (13)	2,4 (26)
Système de collecte de la poussière, type	Longopac	Longopac	Longopac	Longopac	Longopac
Mécanisme de nettoyage de filtre	Jet Pulse	Jet Pulse	Jet Pulse	Jet Pulse	Jet Pulse
Dimensions (L x l x H), mm (po)	680 x 400 x 1 100 (26 x 15,8 x 43,3)	756 x 546 x 1 275 (29 x 21,5 x 50,2)	830 x 620 x 1 500 (32,5 x 24,5 x 60)	680 x 400 x 1 100 (26 x 15,8 x 43,3)	756 x 546 x 1 275 (29 x 21,5 x 50,2)
Poids, kg (lbs)	29 (66)	47 (105)	63 (140)	29 (66)	47 (105)
Niveau de puissance sonore L _{WA} dB(A) ⁴	87,3	92,4	99,9	87,3	92,4
Niveau de pression sonore L _{PA} à l'oreille de l'utilisateur, dB(A) ⁵	76	79,6	84,5	76	79,6
Niveau de vibrations, A _h en m/s ² ⁶	≤2,5				

⁴ Émission sonore dans l'environnement comme puissance acoustique (LWA) selon EN 60335-2-69. Incertitude kWA 2 dB.

⁵ Niveau de pression sonore conformément à la norme EN 60335-2-69. Incertitude KPA 2 dB.

⁶ Niveau de vibrations conformément à la norme EN 60335-2-69. Les données reportées pour le niveau de vibrations montrent une dispersion statistique typique (déviations standard) de 1 m/s²

Déclaration de conformité CE

Déclaration de conformité UE

CE

(Concerne seulement l'Europe)

Description	Extracteurs de poussière
Marque	HUSQVARNA
Type/Modèle	S 13, S 13 230V, S 13 120V, S 26, S 26 230V, S 26 120V, S 36, S 26 230V, S 36 120V
Identification	Numéros de série à partir de 2018 et ultérieurs

est entièrement conforme à la réglementation et aux directives de l'UE suivantes :

Directive/Réglementation	Description
2006/42/EC	« relative aux machines »
2011/65/EU	« relative à la limitation de l'utilisation de certaines substances dangereuses »

et que les normes harmonisées et/ou les spécifications techniques sont appliquées comme suit :

EN ISO 12100:2010

EN 60335-1:2012/A11:2014/AC:2014

EN 60335-2-69:2012

Partille, 2018-11-30

Inhoud

Inleiding.....	27	Probleemoplossing.....	36
Veiligheid.....	30	Vervoer, opslag en verwerking.....	37
Montage.....	32	Technische gegevens.....	37
Werking.....	32	EG-conformiteitsverklaring.....	39
Onderhoud.....	34		

Inleiding

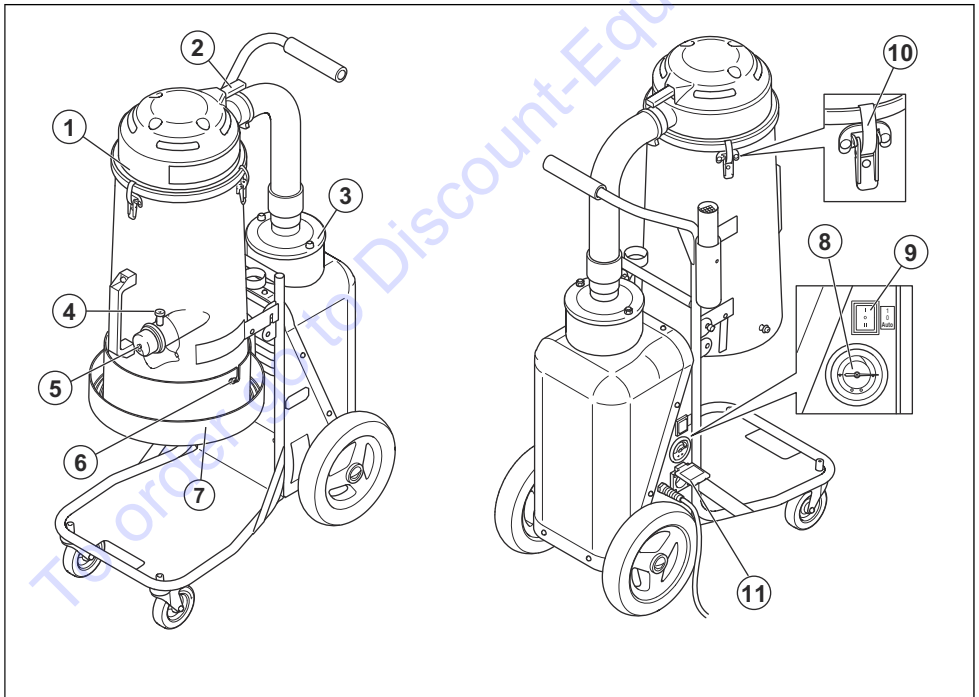
Productbeschrijving

Het product is een enkelfasige stofzuiger. Er stroomt stoffige lucht door de aanzuigslang in de inlaatklep. Het product scheidt de stofdeeltjes van de lucht. De deeltjes vallen in de plastic zak aan de onderkant van het product.

Gebruik

De machine is ontworpen voor het afzuigen en scheiden van droog, onbrandbaar stof met een explosiegrenswaarde van $>0,1 \text{ mg/m}^3$. Gebruik het product niet voor andere taken.

Productoverzicht S 13

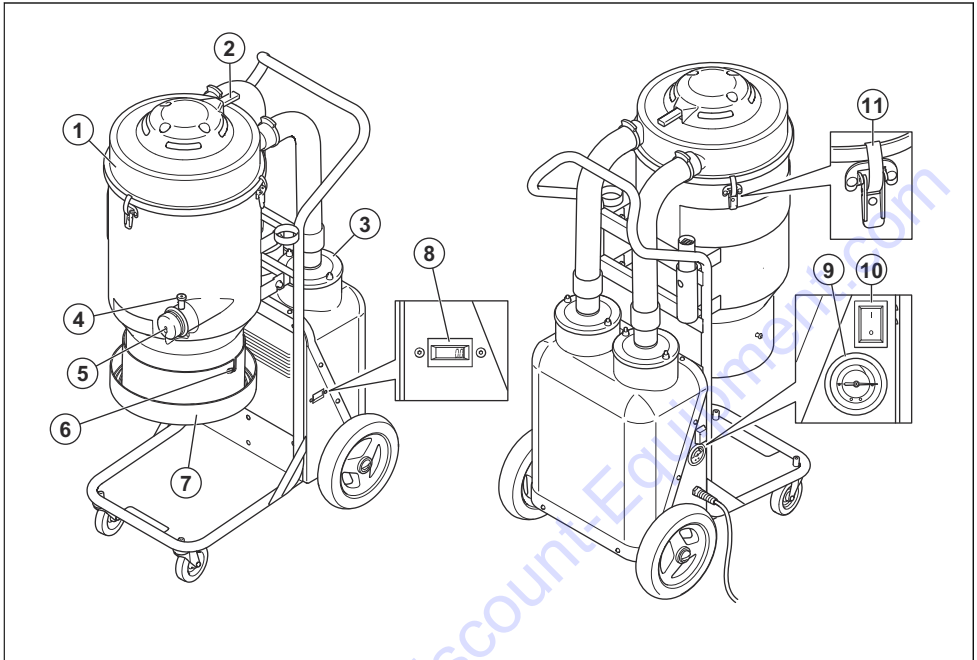


1. Voorfilter
2. Jet Pulse-hendel
3. HEPA filter
4. Slangvergrendeling
5. Inlaatplug

6. Longopac-aansluiting
7. Longopac-houder
8. Manometer
9. Aan/Uit
10. Klemsluiting
11. Klemsluiting

11. Extra contactdoos voor elektrisch gereedschap
(alleen 220-230 V)

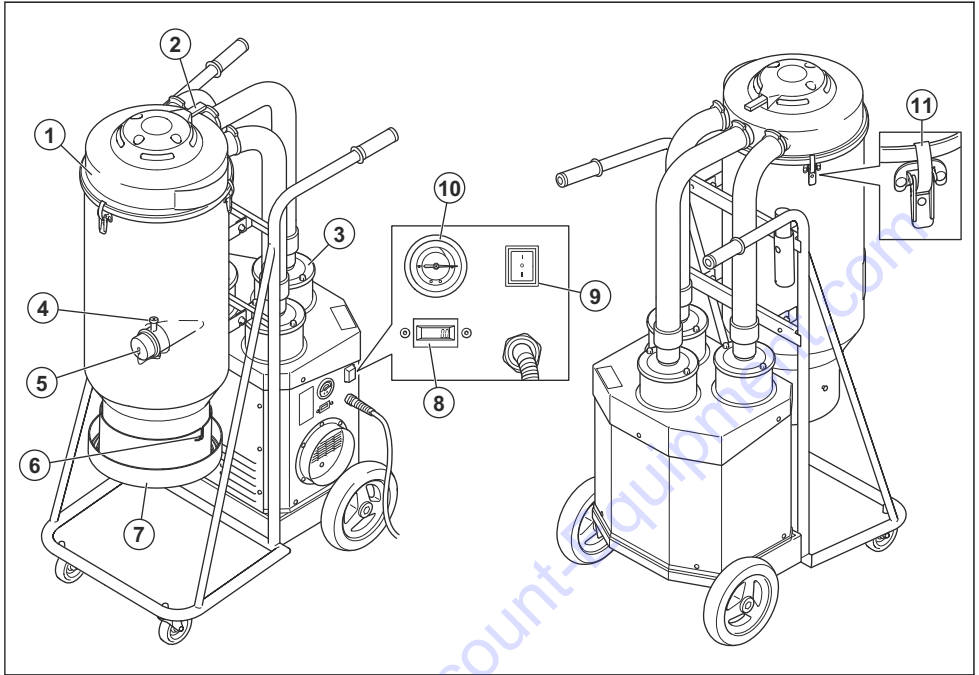
Productoverzicht S 26



1. Voorfilter
2. Jet Pulse-hendel
3. HEPA filter
4. Slangvergrendeling
5. Inlaatplug
6. Longpac-aansluiting

7. Longpac-houder
8. Urenteller
9. Manometer
10. Aan/Uit
11. Klemsluiting

Productoverzicht S 36



1. Voorfilter
2. Jet Pulse-hendel
3. HEPA filter
4. Slangvergrendeling
5. Inlaatplug
6. Longopac-aansluiting
7. Longopac-houder
8. Urenteller
9. Aan/Uit
10. Manometer
11. Klemsluiting

Symbolen op het product



Lees de bedieningshandleiding zorgvuldig door en zorg dat u de instructies hebt begrepen voordat u het product gebruikt.



Gebruik altijd een goedgekeurd stofmasker.



Gebruik altijd goedgekeurde gehoorbescherming.



Gebruik altijd goedgekeurde oogbescherming.



Dit apparaat is H-geclassificeerd en gecertificeerd door een derde partij conform IEC-60335-2-69, EN-60335-2-69 bijlage AA.

Dit apparaat bevat schadelijk stof. Leeg- en onderhoudswerkzaamheden, waaronder het verwijderen van de stofopvangbakken, mogen uitsluitend worden uitgevoerd door deskundigen die een geschikte beschermende uitrusting dragen. Gebruik de stofzuiger nooit zonder het complete filtratiesysteem.

Productaansprakelijkheid

Zoals uiteengezet in de wet voor productaansprakelijkheid zijn wij niet aansprakelijk voor schade die door ons product wordt veroorzaakt, indien:

- het product niet goed is gerepareerd.
- het product is gerepareerd met onderdelen die niet van de fabrikant afkomstig zijn, of onderdelen die niet zijn goedgekeurd door de fabrikant.

- het product een accessoire bevat dat niet afkomstig is van de fabrikant of niet is goedgekeurd door de fabrikant.
- het product niet is gerepareerd door een erkend servicepunt of door een erkende autoriteit.

Veiligheid

Veiligheidsdefinities

Waarschuwingen, voorzorgsmaatregelen en opmerkingen worden gebruikt om te wijzen op belangrijke delen van de handleiding.



WAARSCHUWING: Wordt gebruikt om te wijzen op de kans op ernstig of fataal letsel voor de gebruiker of omstanders wanneer de instructies in de handleiding niet worden gevolgd.



OPGELET: Wordt gebruikt indien er een risico bestaat op schade aan het product en andere eigendommen of aan de omgeving wanneer de instructies in de handleiding niet worden gevolgd.

Let op: Geven verdere informatie die nodig is in een bepaalde situatie.

Algemene veiligheidsinstructies



WAARSCHUWING: Lees de waarschuwingen voordat u het product gaat gebruiken.

- Wees altijd voorzichtig en gebruik uw gezond verstand. Wanneer u in een situatie belandt waarin u niet goed weet hoe u verder te werk moet gaan, moet u een expert raadplegen. Wend u tot uw dealer, uw servicewerkplaats of een ervaren gebruiker. Vermijd gebruik waarvan u vindt dat u niet voldoende gekwalificeerd bent!
- Lees de bedieningshandleiding aandachtig door en zorg ervoor dat u de instructies begrijpt alvorens dit product te gebruiken. Bewaar alle waarschuwingen en instructies voor later gebruik.
- Denk erom dat het uw verantwoordelijkheid als gebruiker is om mensen en hun eigendommen niet bloot te stellen aan ongelukken of gevaar.
- Het product moet schoon worden gehouden. Aanduidingen en stickers moeten volledig leesbaar zijn.
- Deze machine mag niet worden gebruikt door personen (inclusief kinderen) met een lichamelijke,

zintuiglijke of geestelijke beperking of gebrek aan ervaring en kennis.

- Niet laten gebruiken als speelgoed en niet met het apparaat laten spelen. Speciale aandacht is vereist bij gebruik door of in de buurt van kinderen.
- Houd kinderen en onbevoegde personen uit de buurt van de machine wanneer deze in gebruik is.
- Gebruikers moeten voldoende worden geïnstrueerd in het gebruik van de machine.
- Gebruik dit product nooit wanneer u vermoeid bent, alcohol of drugs hebt gebruikt, of als u medicijnen gebruikt die uw gezichtsvermogen, beoordelingsvermogen of coördinatie kunnen beïnvloeden.
- Pak de stekker of de machine niet vast met natte handen.
- Gebruik nooit een machine die defect is. Voer de in deze handleiding beschreven veiligheidscontroles en de onderhouds- en service-instructies uit. Bepaalde onderhouds- en servicemaatregelen moeten door opgeleide en gekwalificeerde specialisten worden uitgevoerd. Raadpleeg de instructies in *Onderhoud op pagina 34*.

Elektrische veiligheidsinstructies



WAARSCHUWING: Lees de volgende waarschuwingen voordat u het product gaat gebruiken.

- De stofzuiger is voorzien van een thermische beveiliging om te voorkomen dat de motor oververhit raakt. Als de thermische beveiliging wordt geactiveerd, schakelt u de machine uit, haalt u de stekker uit het stopcontact en controleert u of de stofzak vol is en of de afzuigslang of het filter verstopt is. Het resetten van de thermische beveiliging kan tot 45 minuten duren.
- Zorg er alvorens de stofzuiger te gebruiken voor dat het vermogen en de spanning overeenkomen met de spanning die wordt vermeld op het productplaatje van de machine, inclusief verlengsnoeren.
- Uitsluitend op een goed geaard stopcontact aansluiten. Zie *Aardingsinstructies op pagina 32*.
- De onjuiste aansluiting van de aarddraad van de uitrusting kan leiden tot een risico van een

elektrische schok. Raadpleeg een gekwalificeerde elektricien of onderhoudsmonteur als u eraan twijfelt of het stopcontact goed geaard is. Pas nooit de meegeleverde stekker aan. Als de stekker niet in het stopcontact past, moet u een goed stopcontact door een erkende elektromonteur laten installeren.

- Zorg er bij het gebruik van een verlengsnoer voor dat het snoer geschikt is voor deze machine.
- Kabels die door beknelling of scheuren beschadigd zijn, kunnen gevaarlijk zijn indien ze worden gebruikt en moeten onmiddellijk worden vervangen.
- Niet gebruiken indien het snoer of de stekker beschadigd zijn. Indien de machine niet naar behoren werkt, gevallen is, beschadigd is, buiten is achtergelaten of in het water is gevallen, moet de machine door een gekwalificeerde persoon worden gerepareerd.
- Inspecteer de stekker en het netsnoer regelmatig op beschadiging. Niet gebruiken indien het snoer of de stekker beschadigd zijn.
- Trek niet aan het snoer en gebruik het ook niet als handvat. Sluit geen deuren met het snoer er tussen en trek het niet langs scherpe randen of hoeken. Zorg ervoor dat de apparatuur niet over het snoer loopt. Houd het snoer uit de buurt van hete oppervlakken.
- Haal de stekker niet uit het stopcontact door aan het snoer te trekken. Houd de stekker vast als u deze uit het stopcontact trekt.
- Laat de machine niet onbeheerd achter wanneer deze op de netvoeding is aangesloten. Koppel het netsnoer los van het stopcontact als de machine niet in gebruik is en voorafgaand aan reiniging of onderhoud aan de machine.

Veiligheidsinstructies voor montage



WAARSCHUWING: Lees de volgende waarschuwingen voordat u het product monteert.

- Schakel alle bedieningselementen uit vóór het loskoppelen. Haal de stekker niet uit het stopcontact door aan het snoer te trekken. Houd de stekker vast als u deze uit het stopcontact trekt.
- Niet-goedgekeurde wijzigingen en/of niet-originele onderdelen kunnen tot ernstig letsel of de dood van de gebruiker of omstanders leiden.
- Men moet altijd originele onderdelen gebruiken.
- Gebruik uitsluitend opzetstukken zoals beschreven in deze handleiding. Gebruik alleen door de fabrikant aanbevolen opzetstukken.
- Zorg voor een stevig montageoppervlak, zodat het product niet kan omvallen. Risico van lichamelijk letsel en materiële schade.
- Pas op, want de klemsluitingen kunnen de gebruiker verwonden tijdens het monteren van het product.

Veiligheidsinstructies voor bediening



WAARSCHUWING: Lees de volgende waarschuwingen voordat u het product gaat gebruiken.

- Gebruik het product alleen binnen.
- Zuig geen brandende of smelende voorwerpen op zoals sigaretten, lucifers of hete as.
- Niet gebruiken om brandbare of ontvlambare vloeistoffen op te zuigen, zoals benzine, en ook niet gebruiken in gebieden waar deze aanwezig kunnen zijn.
- Deze machine is ontworpen voor het oppakken van droge, niet-brandbare stof en vuil in een binnenomgeving. De machine is niet geschikt voor het opzuigen van vloeistoffen.
- Zuig geen vloeistoffen op.
- Voorkom dat stof, haren en alle andere zaken die de luchtstroom kunnen belemmeren zich ophopen.
- Houd haar, wijde kleding, vingers en overige lichaamsdelen uit de buurt van openingen en bewegende delen.
- Wees extra voorzichtig bij het reinigen op trappen.
- Gebruik het product niet zonder geplaatste stofzak en/of filters. Vervang het opvangsysteem en/of filters zoals beschreven in deze handleiding.
- Schakel alle bedieningselementen uit vóór het loskoppelen.

Persoonlijke beschermingsuitrusting



WAARSCHUWING: Lees de volgende waarschuwingen voordat u het product gaat gebruiken.

- Gebruik altijd goedgekeurde persoonlijke beschermingsmiddelen wanneer u het product gebruikt. Persoonlijke beschermingsmiddelen bieden geen volledige bescherming, maar kunnen bij een ongeval wel de ernst van het letsel beperken. Neem contact op met uw servicedealer voor de aanbevolen veiligheidsuitrusting.
- Draag goedgekeurde veiligheidshandschoenen wanneer u onderhoud aan het product uitvoert.

Veiligheid van het werkgebied



WAARSCHUWING: Lees de volgende waarschuwingen voordat u het product gaat gebruiken.

- Gebruik het product niet buitenshuis of op een natte ondergrond; het product is uitsluitend bedoeld voor gebruik binnenshuis.
- Stel het product niet bloot aan regen en vocht, bewaar het alleen binnenshuis.

Veiligheidsinstructies voor onderhoud



WAARSCHUWING: Lees de volgende waarschuwingen voordat u het product gaat gebruiken.

- Zorg ervoor dat de motorschakelaar in de uitgeschakelde stand staat. Haal de stekker van het product uit het stopcontact.
- Wijzig het oorspronkelijke ontwerp van het product niet.

- Alle reparaties moeten worden uitgevoerd door een gekwalificeerde onderhoudsmonteur. Gebruik alleen door de fabrikant geleverde of gelijkwaardige vervangende onderdelen.
- Maak altijd gebruik van goedgekeurde persoonlijke beschermingsmiddelen. Zie *Persoonlijke beschermingsuitrusting op pagina 31*
- Maak geen gat in de HEPA filter. Een defect HEPA filter kan stof verspreiden.

Montage

Algemeen

Controleer of de volgende accessoires zijn meegeleverd:

- De slang met aansluitstukken
- Stalen buis
- Vloerzuigmond
- Multi-adapter (alleen S 13/S 26)

Als 1 van de onderdelen ontbreekt, neem dan contact op met uw lokale servicewerkplaats of verkoper.

Voor modellen waarop de voorste zwenkwielen niet zijn gemonteerd wegens beperkingen van de verpakking:

- Monteer de voorste zwenkwielen met behulp van de bout of de moer en de onderlegging die in het pakket zijn meegeleverd.

Zorg ervoor dat u de verpakking en de gebruikte productonderdelen volgens de juiste procedure afvoert. Raadpleeg de lokale afvoervorschriften. Laat het materiaal recylen.

De zuigslang aanbrengen

Op het product bevindt zich een slanginlaat met een slangvergrendeling. De slangvergrendeling zorgt ervoor dat de aanzuigslangadapter er niet afvalt.

1. Til de slangvergrendeling omhoog en bevestig de aanzuigslangadapter.
2. Laat de slangvergrendeling in de uitsparing van de adapter zakken.

Het mondstuk op de handpijp bevestigen

Het vloermondstuk heeft verstelbare wielen. Pas de wielen zodanig aan dat de beste zuigwerking wordt verkregen. Stel de wielen af met de knop aan de achterzijde van het mondstuk. De wielen en de rubberen strips van het mondstuk kunnen worden vervangen. Houd het mondstuk in goede staat.

Werking

Inleiding



WAARSCHUWING: Voordat u de machine gebruikt, moet u het hoofdstuk over veiligheid en de bedieningsinstructies zorgvuldig lezen en begrijpen.

Vóór gebruik



WAARSCHUWING: Zorg er alvorens de stofzuiger te gebruiken voor dat het vermogen en de spanning overeenkomen met de spanning die wordt vermeld op het productplaatje van de machine, inclusief verlengsnoeren.

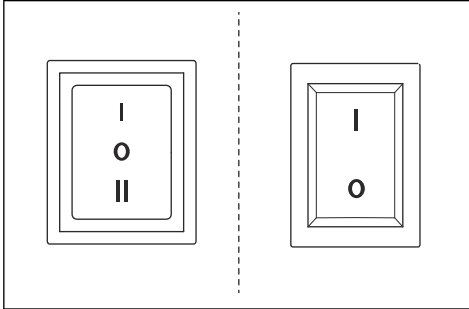
Aardingsinstructies



WAARSCHUWING: De stofzuiger moet geaard zijn. Als de stofzuiging een storing of defect zou vertonen, biedt aarding een weg van de minste weerstand voor elektrische stroom om het risico van elektrische schokken te beperken. De stofzuiger is voorzien van een snoer met een aardendraad voor de uitrusting en een aardingsstekker. De stekker moet worden aangesloten op een geschikt stopcontact dat correct is geïnstalleerd en geaard in overeenstemming met alle plaatselijk geldende voorschriften en regels.

Starten en stoppen

Gebruik de schakelaar om de stofafzuiger te starten.



Startschakelaar	Modellen met automatische start	Modellen zonder automatische start
Zwart - 3 standen	0: Motor UIT I: Motor AAN II: automatische start	
Rood - 2 standen		0: Motor UIT I: Motor AAN

Automatische startfunctie

Er zit een contactdoos op de stofafzuiger, die u kunt gebruiken als u de stofafzuiging samen met een andere machine gebruikt. Sluit de machine aan op deze contactdoos. Wanneer u het product vervolgens start, zal de stofafzuiger ook starten na circa 1-2 seconden. Als u de stofafzuiger uitschakelt, zal deze gedurende ongeveer 10 seconden blijven werken om de slang te legen en daarna stoppen.

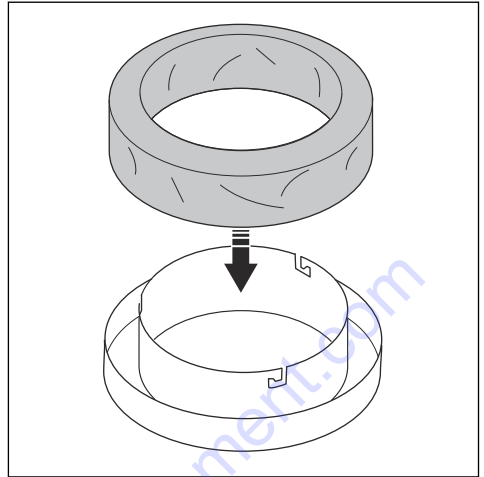
Een nieuwe Longopac stofzak monteren



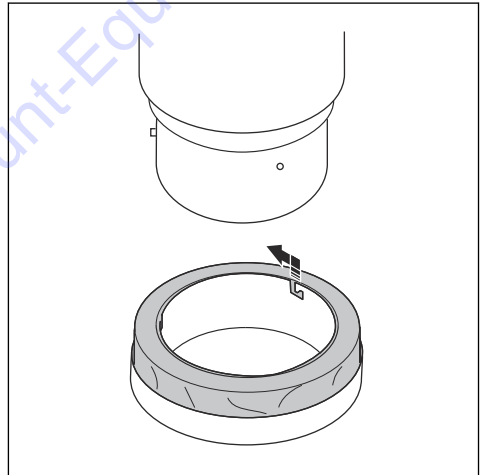
WAARSCHUWING: Maak het voorfilter altijd schoon voordat u de zak van het opvangsysteem verwisselt.

Let op: De afzuigkap heeft een Longopac systeem.

1. Plaats de stofzak in de houder.

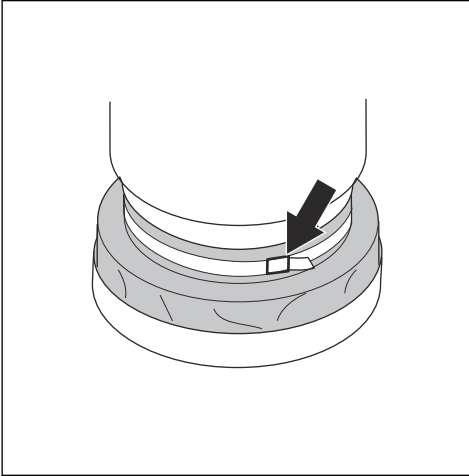


2. Bevestig de stofzakhouder aan het reservoir door deze op de bevestigingspennen te draaien.

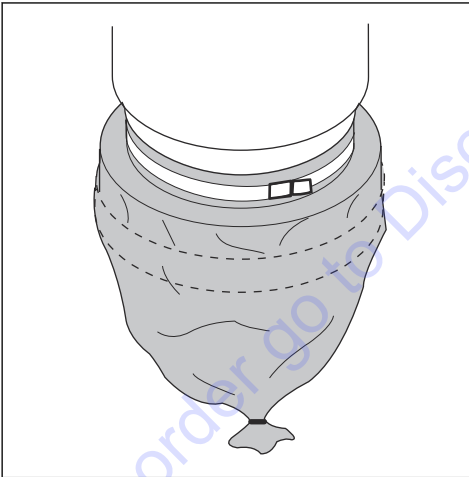


3. Trek de zak uit de zakhouder en plaats deze rond het reservoir.

4. Plaats een band om de zak en het reservoir om de zak aan het reservoir te bevestigen.



5. Trek de stofzak over de zakhouder.
6. Sluit de onderkant van de stofzak met een kabelbinder.



Het filter reinigen



OPGELET: Als de afzuiging nog steeds slecht afzuigt, moet het voorfilter worden vervangen. Als de afzuiger daarna nog steeds slecht afzuigt, moeten de HEPA-filters vervangen worden. Zie de instructies in *Het HEPA-filter vervangen op pagina 36*.

Het filter moet van tijd tot tijd worden gereinigd. Dit moet worden gedaan vóór het vervangen van het plastic opvangzakstelsel en moet ook worden gedaan wanneer het werk voltooid is of als er weinig zuigkracht is.

1. Sluit de inlaat af met behulp van de inlaatplug of de inlaatklep terwijl de stofafzuiger draait.
2. Laat de dust extractor gedurende 5 seconden vacuüm opbouwen en druk dan snel de Jet Pulse-hendel in en houd deze 5 seconden ingedrukt.
3. Herhaal stap 2 vijf keer. Het is belangrijk om de dust extractor het vacuüm opnieuw te laten opbouwen tussen elke herhaling in.
4. Als de afzuiger nog steeds slecht afzuigt, moet het filter worden vervangen. Vervang de plastic zak pas na het reinigen van het filter.

Onderhoud

Inleiding



WAARSCHUWING: Gebruik tijdens onderhoud persoonlijke beschermingsmiddelen, zie *Persoonlijke beschermingsuitrusting op pagina 31*. Er kan stof vrijkomen tijdens onderhoud en service.



WAARSCHUWING: De meeste ongelukken met machines gebeuren tijdens het opsporen van fouten en tijdens service- en onderhoudswerkzaamheden, omdat het personeel zich dan binnen de risicozone van de machine moet begeven. Voorkom ongelukken door alert te zijn en de werkzaamheden te plannen en voor te bereiden.



WAARSCHUWING: Tijdens de werkzaamheden die in dit hoofdstuk worden beschreven, moet de motor zijn uitgeschakeld, tenzij anders aangegeven.

gekwalificeerd elektricien uitgevoerd worden.



WAARSCHUWING: Alle controles van elektrische componenten moeten door een

Onderhoudsschema S - Line Dust Extractor

De onderhoudsintervallen worden berekend op basis van het dagelijks gebruik van het product. De intervallen veranderen als het product niet dagelijks wordt gebruikt.

Onderhoud	Voor elk gebruik	Elke dag	Wekelijks	Wanneer de zuigkracht laag is	6 maanden of 1000 u	12 maanden of 2000 u
Controleer op tekenen van slijtage, beschadiging of losse aansluitingen van de bedieningselementen voordat de eenheid wordt aangesloten.	X					
Controleer of de stofzak/Longopac in orde is.		X				
Controleer het filterreinigingsmechanisme.		X				
Controleer de wielen. Controleer op beschadigingen en slechte aansluitingen.			X			
Reinig het voorfilter.				X		
Vervang het voorfilter.					X	
Vervang de HEPA filter				X		X

De stofzuiger reinigen

Het is belangrijk om de stofzuiger te reinigen om circulatie van gevaarlijk stof te voorkomen. Reinig altijd de stofzuiger voordat deze uit het werkgebied wordt geplaatst.



WAARSCHUWING: Zet de motorschakelaar in de uitgeschakelde stand en koppel het snoer los van het stopcontact voordat u het product schoonmaakt of onderhoudt.

- Alle gebruikte uitrusting moet worden aangemerkt als verontreinigd en als zodanig worden behandeld.
- Alle onderdelen die verontreinigd zijn na werkzaamheden, moeten volgens de juiste procedure in plastic zakken worden afgevoerd. Neem de lokale voorschriften in acht.
- Gebruik de juiste persoonlijke beschermingsmiddelen wanneer u het product reinigt. Zie *Persoonlijke beschermingsuitrusting op pagina 31*.

- Reinig het externe oppervlak met een vochtige doek.
- Reinig de filters en de stofzuiger in het daarvoor bestemde gebied.
- Zuig het voorfilter van buitenaf leeg. Gebruik altijd stofzuigers met HEPA-filter en een zachte borstel om het filter niet te beschadigen.
- Gebruik geen water op elektrische onderdelen.
- Reinig de stofzuiger niet met hoge druk (lucht of water).
- Plaats geen gereedschap op het oppervlak van het filter, want dit kan het filter beschadigen.
- Maak geen gat in het HEPA filter, het kan een gezondheidsrisico veroorzaken.

Filter vervangen



WAARSCHUWING: Gebruik tijdens het vervangen van het filter persoonlijke beschermingsmiddelen, zie *Persoonlijke beschermingsuitrusting op pagina 31*.

Tijdens het vervangen van het filter kan er stof vrijkomen.



WAARSCHUWING: Zet de motorschakelaar altijd in de uitgeschakelde stand en koppel het snoer los van het stopcontact tijdens het vervangen van het filter.

2. Til het filter voorzichtig in een schone plastic zak, die vervolgens op de juiste manier moet worden afgevoerd.
3. Plaats een nieuw filter in omgekeerde volgorde.

Het voorfilter vervangen



OPGELET: Wanneer u het voorfilter verwijdert om het te reinigen, gebruik dan alleen water onder lage druk vanaf de binnenkant naar de buitenkant. Door met kracht op het filter te slaan, of water onder hoge druk of perslucht te gebruiken, beschadigt u het filter. Het filter moet 100% droog zijn voordat het in de behuizing wordt teruggeplaatst.

Het HEPA-filter vervangen



OPGELET: Reinig de HEPA-filters niet. Als geprobeerd wordt om een HEPA-filter te reinigen, raakt het filter onherstelbaar beschadigd. Zorg er bij het plaatsen van het vervangende filter voor dat u de binnenkant van het filter niet aanraakt. Elke vorm van kracht op/schade aan de binnenkant van het filter zal het nieuwe filter beschadigen.

1. Maak de 3 klemsluitingen los en verwijder de bovenkant.
2. Haal de zak uit het nieuwe filter.
3. Verwijder het filter en plaats het voorzichtig in een plastic zak. Deze zak moet op de juiste wijze als afval worden verwijderd.
4. Plaats een nieuw filter.

Let op: Aanbevolen intervallen voor het vervangen van het filter: Voorfilter elke 6 maanden en HEPA-filters elke 12 maanden.

1. Draai de schroeven van de filterkap los.

Probleemoplossing

Probleemoplossingsschema

Probleem	Oorzaak	Oplossing
Motor start niet	Geen stroom	Stekker van de machine in het stopcontact steken
	Kabel defect	Kabel vervangen
	Schakelaar defect	Schakelaar vervangen
	Softstart defect	Softstart vervangen
Motor stopt direct na het starten	Verkeerde zekering	Aansluiten op juiste zekering
	Kortsluiting in kabel/machine	Laten repareren door een servicemedewerker
Motor loopt, maar er is geen afzuiging	Slang niet aangesloten	Slang aansluiten
	Slang geblokkeerd	Slang reinigen
	Geen stofopvangzak	Stofopvangsysteem monteren
Motor loopt, maar afzuiging is slecht	Gat in slang	Slang vervangen
	Filter verstopt	Filter reinigen/vervangen
	Losse bovenste kap	Afstellen
	Vuil in de klep	De klep reinigen
Defecte pakkingen	Betreffende pakkingen vervangen	

Probleem	Oorzaak	Oplossing
Stof wordt uit de motor geblazen	Verkeerd gemonteerd of beschadigd filtersysteem	Filters aanpassen/vervangen
Abnormaal geluid		Laten repareren door een servicemedewerker

Vervoer, opslag en verwerking

Transport van het product

- Zorg ervoor dat de Longopac-zak leeg is vóór transport
- Zorg ervoor dat de Longopac-zak aan het product is bevestigd tijdens transport.
- Maak bij het heffen van de stofafzuiger gebruik van oprijplaten of lieren om ervoor te zorgen dat de bewegingen veilig zijn. Roep hulp in als u niet zeker weet hoe zware apparatuur moet worden geheven.
- Zet het product tijdens transport goed vast om transportschade en ongelukken te voorkomen.
- Zet de remwielen goed vast.
- Vervoer het product indien mogelijk onder goede weersomstandigheden.
- Gebruik indien mogelijk een gesloten voertuig om het product te vervoeren.

- Stel het product niet bloot aan regen of vocht.
- Zet de remwielen goed vast.
- Haal de stekker van het product uit het stopcontact.
- Berg het product en de uitrusting op in een vorstvrije ruimte zonder buitensporige hitte.
- Sla alle apparatuur op in een afgesloten ruimte zodat de apparatuur buiten het bereik is van kinderen en onbevoegde personen.

Het product afvoeren

- Neem de plaatselijk geldende wet- en regelgeving voor recycling in acht.
- Wanneer het product niet langer wordt gebruikt, stuur het dan naar de dealer of voer het af via een recyclingslocatie.

Het product opslaan

- Het product moet binnen worden opgeslagen uit de buurt van buitenelementen.

Technische gegevens

Technische gegevens

Gegevens	S 13 [220 - 230 V]	S 26 [220 - 230 V]	S 36 [220 - 230 V]	S 13 [110 - 120V]	S 26 [110 - 120V]
Nominale spanning (1-fasig), V	220 - 230	220 - 230	220 - 230	110 - 120	110 - 120
Frequentie, Hz	50 - 60	50 - 60	50 - 60	50 - 60	50 - 60
Vermogen (max.), kW (HP)	1,2 (1,6)	2,4 (3,2)	3,6 (4,8)	1,2 (1,6)	2,4 (3,2)
Stroomsterkte (max.), A	5	9	14	8	16
Luchtstroom (max.), m ³ /h (cfm)	200 (118)	400 (236)	600 (354)	219 (129)	438 (258)
Vacuüm (max.), kPa (psi)	22 (3,2)	22 (3,2)	22 (3,2)	24 (3,5)	24 (3,5)

Gegevens	S 13 [220 - 230 V]	S 26 [220 - 230 V]	S 36 [220 - 230 V]	S 13 [110 - 120V]	S 26 [110 - 120V]
Lengte hoofdslang, m (ft)	4 (13)	7,5 (25)	10 (33)	4 (13)	7,5 (25)
Diameter hoofdslang, mm (inch)	38 (1,5)	51 (2)	63 (2,5)	38 (1,5)	51 (2)
Diameter inlaat, mm (inch)	38 (1,5)	63 (2,5)	63 (2,5)	38 (1,5)	63 (2,5)
Extra contactdoos	Ja	Nee	Nee	Nee	Nee
Max. belasting extra contactdoos, W	1200	NVT	NVT	NVT	NVT
Voorfilter, % bij 1 µm	99,5	99,5	99,5	99,5	99,5
Voorfilterruimte, m ² (ft ²)	1,5 (16)	3 (32)	4,5 (48)	1,5 (16)	3 (32)
HEPA filter 99,99% bij 0,3 µm	1	2	3	1	2
Totaal HEPA filtergebied, m ² (ft ²)	1,2 (13)	2,4 (26)	3,6 (39)	1,2 (13)	2,4 (26)
Stofopvangsysteem, type	Longopac	Longopac	Longopac	Longopac	Longopac
Filterreinigingsmechanisme	Jet Pulse	Jet Pulse	Jet Pulse	Jet Pulse	Jet Pulse
Afmetingen (L*B*H), mm (inch)	680x400x1100 (26x15.8x43.3)	756x546x1275 (29x21.5x50.2)	830x620x1500 (32.5x24.5x60)	680x400x1100 (26x15.8x43.3)	756x546x1275 (29x21.5x50.2)
Gewicht kg (lbs)	29 (66)	47 (105)	63 (140)	29 (66)	47 (105)
Geluidsvermogeniveau L _{WA} gemeten, dB(A) ⁷	87,3	92,4	99,9	87,3	92,4
Geluidsdruk niveau L _{PA} bij het oor van de gebruiker, dB(A) ⁸	76	79,6	84,5	76	79,6
Trillingsniveau a _n , m/s ² ⁹	≤2,5				

⁷ Geluidsemisies naar de omgeving gemeten als geluidsvermogen (LWA) volgens EN 60335-2-69. Onzekerheidsmarge Kwa 2 dB.

⁸ Geluidsdruk niveau volgens EN 60335-2-69. Onzekerheidsmarge KPA 2 dB.

⁹ Trillingsniveau volgens EN 60335-2-69. De gerapporteerde gegevens voor een trillingsniveau vertonen een typische statistische spreiding (standaardafwijking) van 1 m/s²

EG-conformiteitsverklaring

EU-verklaring van overeenstemming

CE

(Alleen geldig voor Europa)

Beschrijving	Stofafzuigers
Merk	HUSQVARNA
Type / model	S 13, S 13 230V, S 13 120V, S 26, S 26 230V, S 26 120V, S 36, S 26 230V, S 36 120V
Identificatie	Serienummers vanaf 2018 en verder

volledig voldoet aan de volgende EU-richtlijnen en -regelgeving:

Richtlijn/Verordening	Beschrijving
2006/42/EC	"betreffende machines"
2011/65/EU	"betreffende beperking van gevaarlijke stoffen"

en dat de volgende geharmoniseerde normen en/of technische specificaties zijn toegepast:

EN ISO 12100:2010

EN 60335-1:2012/A11:2014/AC:2014

EN 60335-2-69:2012

Partille, 2018-11-30



Martin Huber

Global R&D Director

Verantwoordelijk voor technische documentatie

Inhalt

Einleitung.....	40	Fehlerbehebung.....	49
Sicherheit.....	43	Transport, Lagerung und Entsorgung.....	50
Montage.....	45	Technische Angaben.....	50
Betrieb.....	45	EG-Konformitätserklärung.....	52
Wartung.....	47		

Einleitung

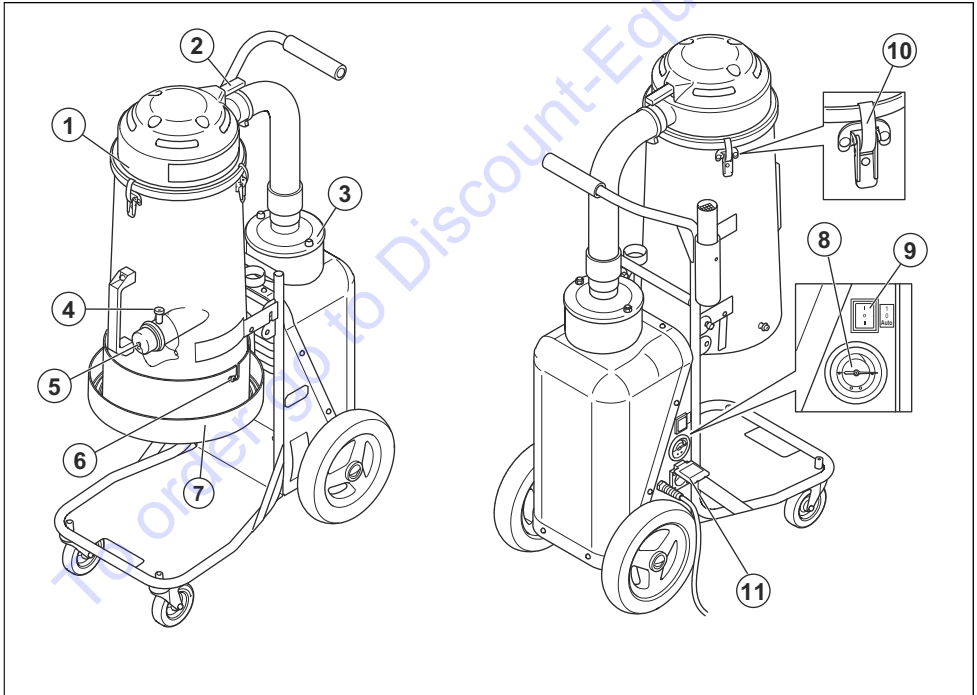
Produktbeschreibung

Das Gerät ist ein einphasiger Staubabsauger. Staubige Luft strömt durch den Saugschlauch in das Einlassventil. Das Gerät trennt die Staubpartikel von der Luft. Die Partikel fallen in den Kunststoffbeutel an der Unterseite des Geräts.

Verwendungszweck

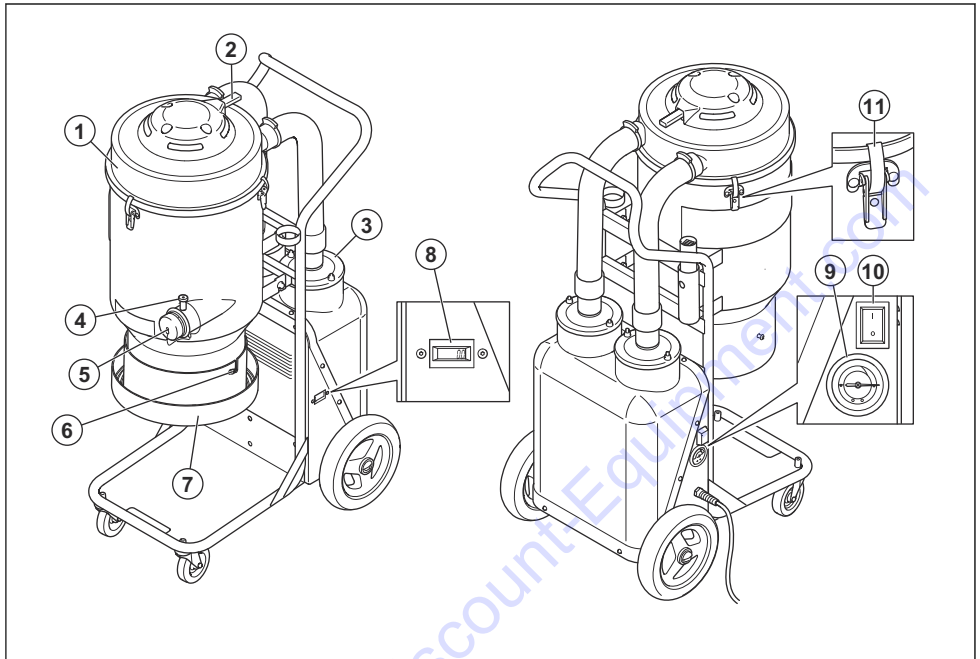
Das Gerät wurde zum Absaugen und Abscheiden von trockenem, nicht brennbarem Staub mit einem Explosionsgrenzwert von $>0,1 \text{ mg/m}^3$ konzipiert. Verwenden Sie das Gerät nicht für andere Aufgaben.

Produktübersicht S 13



- | | |
|-------------------------|-----------------------|
| 1. Vorfilter | 6. Longopac Anschluss |
| 2. Jet Pulse-Griff | 7. Longopac Halter |
| 3. HEPA filter | 8. Manometer |
| 4. Schlauchverriegelung | 9. EIN/AUS |
| 5. Schlaucheinlass | 10. Spannverschluss |

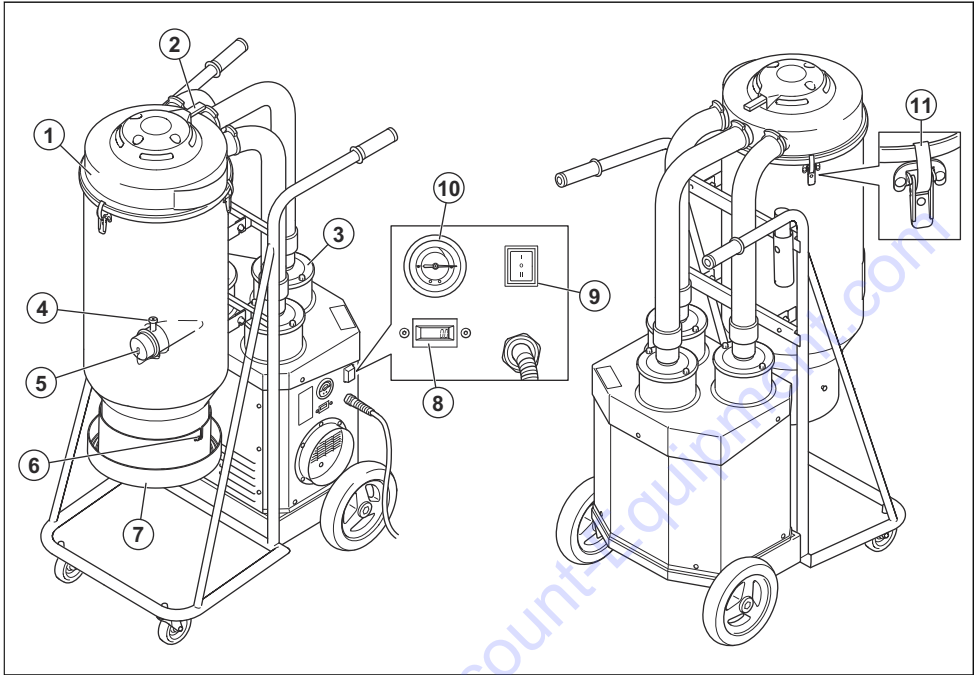
Produktübersicht S 26



1. Vorfilter
2. Jet Pulse-Griff
3. HEPA filter
4. Schlauchverriegelung
5. Schlaucheinlass
6. Longopac Anschluss

7. Longopac Halter
8. Betriebsstundenzähler
9. Manometer
10. EIN/AUS
11. Spannverschluss

Produktübersicht S 36



1. Vorfilter
2. Jet Pulse-Griff
3. HEPA filter
4. Schlauchverriegelung
5. Schlaucheinlass
6. Longopac Anschluss
7. Longopac Halter
8. Betriebsstundenzähler
9. EIN/AUS
10. Manometer
11. Spannverschluss



Tragen Sie stets einen zugelassenen Gehörschutz.



Tragen Sie stets einen zugelassenen Augenschutz.



Symbole auf dem Gerät



Lesen Sie die Bedienungsanleitung sorgfältig durch und machen Sie sich mit dem Inhalt vertraut, bevor Sie das Gerät benutzen.



Tragen Sie stets einen zugelassenen Atemschutz.

Dieses Gerät ist H-klassifiziert, von einem Drittanbieter gemäß IEC-60335-2-69, EN-60335-2-69, Anhang AA, zertifiziert.

Dieses Gerät enthält gesundheitsschädlichen Staub. Das Entleeren, sowie auch Wartungsarbeiten, einschließlich der Entfernung der Staubsammelbehälter, darf nur von Fachleuten durchgeführt werden, die geeignete Schutzausrüstung tragen. Betreiben Sie den Staubsauger niemals ohne das komplette Filtersystem.

Produkthaftung

Im Sinne der Produkthaftungsgesetze übernehmen wir keine Haftung für Schäden, die unser Gerät verursacht, wenn...

- das Gerät nicht ordnungsgemäß repariert wurde.
- das Gerät mit Teilen repariert wurde, die nicht vom Hersteller stammen oder vom Hersteller zugelassen sind.

- ein Zubehörteil mit dem Gerät verwendet wird, das nicht vom Hersteller stammt oder vom Hersteller zugelassen ist.
- das Gerät nicht bei einem zugelassenen Service Center oder von einer zugelassenen offiziellen Stelle repariert wurde.

Sicherheit

Sicherheitsdefinitionen

Warnungen, Vorsichtsmaßnahmen und Hinweise werden verwendet, um auf besonders wichtige Teile der Bedienungsanleitung hinzuweisen.



WARNUNG: Wird verwendet, wenn bei Nichtbeachtung der Anweisungen in diesem Handbuch die Gefahr von Verletzung oder Tod des Bedieners oder anderer Personen besteht.



ACHTUNG: Wird verwendet, wenn bei Nichtbeachtung der Anweisungen in diesem Handbuch die Gefahr von Schäden am Gerät, an anderen Materialien oder in der Umgebung besteht.

Hinweis: Für weitere Informationen, die in bestimmten Situationen nötig sind.

Allgemeine Sicherheitshinweise



WARNUNG: Lesen Sie die Warnhinweise, bevor Sie das Gerät benutzen.

- Stets vorsichtig vorgehen und mit gesundem Menschenverstand arbeiten. Wenn Sie in eine Situation geraten, in der Sie unsicher sind, sollten Sie einen Fachmann um Rat fragen. Fragen Sie Ihren Fachhändler, Ihre Servicewerkstatt oder einen erfahrenen Anwender. Vermeiden Sie jede Arbeit, für die Sie nicht ausreichend qualifiziert sind!
- Lesen Sie die Bedienungsanleitung sorgfältig durch, und machen Sie sich mit den Anweisungen vor der Inbetriebnahme des Geräts vertraut. Bewahren Sie alle Warnhinweise und Anweisungen für spätere Referenzzwecke auf.
- Denken Sie stets daran, dass Sie als Bediener für eventuell dadurch entstehende Sach- und Personenschäden verantwortlich sind.
- Das Gerät ist sauber zu halten. Die Lesbarkeit aller Schilder und Aufkleber muss gewährleistet werden.
- Der Gebrauch dieses Geräts ist Personen (einschl. Kindern), die über eingeschränkte körperliche,

sensorische oder geistige Fähigkeiten verfügen oder denen es an der erforderlichen Erfahrung und Kenntnissen mangelt, untersagt.

- Niemanden mit dem Gerät spielen lassen! Das Gerät ist kein Spielzeug! Wenn Sie in der Nähe von Kindern arbeiten, lassen Sie besondere Vorsicht walten.
- Halten Sie Kinder und unbefugte Personen vom laufenden Gerät fern.
- Der Bediener muss in der Verwendung des Geräts entsprechend geschult worden sein.
- Verwenden Sie dieses Gerät niemals, wenn Sie müde sind, Alkohol getrunken oder Medikamente eingenommen haben, die Ihre Sehkraft, Ihr Urteilsvermögen oder Ihre Körperkontrolle beeinträchtigen können.
- Fassen Sie den Stecker und das Gerät nicht mit nassen Händen an.
- Arbeiten Sie niemals mit einem defekten Gerät. Die Kontroll-, Wartungs- und Serviceanweisungen in dieser Bedienungsanleitung sind genau zu befolgen. Gewisse Wartungs- und Servicemaßnahmen sind von geschulten, qualifizierten Fachleuten auszuführen. Siehe Anweisungen in *Wartung auf Seite 47*.

Elektrische Sicherheitshinweise



WARNUNG: Lesen Sie die folgenden Warnhinweise, bevor Sie das Gerät benutzen.

- Der Staubabsauger verfügt über einen Thermoschutz, um eine Überhitzung des Motors zu verhindern. Sollte der Thermoschutz aktiviert werden, schalten Sie das Gerät aus, ziehen Sie das Netzkabel am Stecker aus der Steckdose, und überprüfen Sie, ob der Staubbeutel voll oder der Saugschlauch oder der Filterblock verstopft ist. Die Rückstellung des Thermoschutzes kann bis zu 45 Minuten dauern.
- Vergewissern Sie sich vor der Verwendung des Staubabsaugers, dass Stromversorgung und Spannung der auf dem Typenschild des Geräts angegebenen Spannung entspricht, einschließlich Verlängerungskabel.

- Schließen Sie das Gerät ausschließlich an eine korrekt geerdete Steckdose an. Siehe *Erdungsanweisungen auf Seite 45*.
- Bei unsachgemäßem Anschluss der Geräte-Erdungsleitung besteht die Gefahr von elektrischen Schlägen. Wenden Sie sich an einen qualifizierten Elektriker oder Wartungstechniker, wenn Sie sich nicht sicher sind, ob die Steckdose ordnungsgemäß geerdet ist. Verändern Sie nicht den mit der Maschine gelieferten Stecker. Sollte der Stecker nicht in die Steckdose passen, muss eine geeignete Steckdose durch einen qualifizierten Elektriker installiert werden.
- Bei Verwendung eines Verlängerungskabels ist darauf zu achten, dass die Kabelnennwerte für dieses Gerät geeignet sind.
- Die Verwendung beschädigter Kabel kann gefährlich sein, daher müssen sie sofort ersetzt werden.
- Verwenden Sie das Gerät nicht, wenn ein Schaden am Kabel oder Stecker vorliegt. Wenn das Gerät nicht ordnungsgemäß funktioniert, fallen gelassen wurde, beschädigt ist, im Freien gelassen oder ins Wasser gefallen ist, stellen Sie sicher, dass es durch eine qualifizierte Person repariert wird.
- Überprüfen Sie das Kabel und den Stecker regelmäßig auf Beschädigung. Verwenden Sie das Gerät nicht, wenn ein Schaden am Kabel oder Stecker vorliegt.
- Ziehen oder heben Sie das Gerät nicht am Kabel hoch, verwenden Sie das Kabel nicht als Griff, klemmen Sie das Kabel nicht in oder unter einer Tür ein und ziehen Sie das Kabel nicht um scharfe Ecken und Kanten. Führen Sie keine Geräte über das Kabel. Halten Sie das Kabel von heißen Oberflächen fern.
- Ziehen Sie den Stecker nicht ab, indem Sie am Kabel ziehen. Ziehen Sie zum Ausstecken den Stecker
- Lassen Sie keine Maschine keinesfalls unbeaufsichtigt, wenn es angeschlossen wird. Ziehen Sie das Netzkabel aus der Steckdose, wenn das Gerät nicht verwendet wird und bevor Reinigungs- oder Wartungsarbeiten am Gerät vorgenommen werden.

- Verwenden Sie Aufsätze nur, wie in diesem Handbuch beschrieben. Verwenden Sie nur vom Hersteller empfohlene Aufsätze.
- Stellen Sie sicher, dass die Montagefläche fest ist, damit das Gerät nicht umkippen kann. Gefahr von Verletzungen und Sachschäden.
- Vorsicht: Bei der Montage des Geräts können die Spannverschlüsse zu Verletzungen führen.

Sicherheitshinweise für den Betrieb



WARNUNG: Lesen Sie die folgenden Warnhinweise, bevor Sie das Gerät benutzen.

- Verwenden Sie das Gerät nur in Innenräumen!
- Nehmen Sie mit dem Gerät keine brennenden oder rauchenden Gegenstände oder Substanzen wie Zigaretten, Streichhölzer oder heiße Asche auf.
- Verwenden Sie das Gerät nicht, um entzündliche oder feuergefährliche Flüssigkeiten wie z. B. Benzin aufzunehmen, und verwenden Sie es nicht in Bereichen, in denen diese auftreten können.
- Dieses Gerät ist für die Aufnahme von trockenem, nicht entflammarem Staub und Schmutz in Innenräumen vorgesehen. Es ist nicht für die Aufnahme von Flüssigkeiten geeignet.
- Nehmen Sie keinerlei Flüssigkeiten mit dem Gerät auf.
- Halten Sie es frei von Staub, Haaren und Materialien, die den Luftstrom beeinträchtigen können.
- Stellen Sie sicher, dass keine Haare, Kleidungsstücke, Finger oder andere Körperteile in die Nähe von Öffnungen und beweglichen Teilen gelangen.
- Lassen Sie bei der Reinigung auf Treppen besondere Vorsicht walten.
- Verwenden Sie das Gerät nicht ohne Staubbeutel und/oder Filter. Ersetzen Sie das Sammelsystem und/oder Filter gemäß den Anweisungen im Handbuch.
- Schalten Sie alle Bedienelemente aus, bevor Sie den Stecker des Geräts ziehen.

Persönliche Schutzausrüstung



WARNUNG: Lesen Sie die folgenden Warnhinweise, bevor Sie das Gerät benutzen.

- Während des Betriebs immer eine zugelassene persönliche Schutzausrüstung tragen. Die persönliche Schutzausrüstung schützt Sie zwar nicht vollständig, vermindert aber das Ausmaß der Verletzungen bei einem Unfall. Sprechen Sie mit Ihrem Händler über Empfehlungen, welche Ausrüstung zu verwenden ist.
- Tragen Sie zugelassene Schutzhandschuhe, wenn Sie am Gerät eine Wartung durchführen.

Sicherheitshinweise für die Montage



WARNUNG: Lesen Sie die folgenden Warnhinweise, bevor Sie das Gerät montieren.

- Schalten Sie alle Bedienelemente aus, bevor Sie den Stecker des Geräts ziehen. Ziehen Sie den Stecker nicht ab, indem Sie am Kabel ziehen. Ziehen Sie zum Ausstecken den Stecker
- Unzulässige Änderungen und/oder Zubehör können zu schweren oder tödlichen Verletzungen des Benutzers oder anderer Personen führen.
- Es ist immer Originalzubehör zu verwenden.

Sicherheit im Arbeitsbereich



WARNUNG: Lesen Sie die folgenden Warnhinweise, bevor Sie das Gerät benutzen.

- Verwenden Sie das Gerät nicht im Freien oder auf nassem Untergrund; dieses Gerät ist ausschließlich für den Gebrauch in Innenräumen bestimmt.
- Setzen Sie das Gerät nicht Regen und Feuchtigkeit aus, lagern Sie es nur in Innenräumen.

Sicherheitshinweise für die Wartung



WARNUNG: Lesen Sie die folgenden Warnhinweise, bevor Sie das Gerät benutzen.

- Stellen Sie sicher, dass sich der Motorschalter in der AUS-Stellung befindet. Trennen Sie das Gerät von der Stromversorgung.
- Ändern Sie nicht das ursprüngliche Design des Geräts.
- Alle Reparaturen müssen von einem qualifizierten Techniker durchgeführt werden. Verwenden Sie nur vom Hersteller gelieferte oder gleichwertige Ersatzteile.
- Tragen Sie zugelassene Schutzausrüstung. Siehe *Persönliche Schutzausrüstung auf Seite 44*
- Machen Sie kein Loch in den HEPA filter. Ein zerbrochener HEPA filter kann Staub verbreiten.

Montage

Allgemein

Überprüfen Sie, ob das folgende Zubehör im Lieferumfang enthalten ist:

- Schlauch mit Anschlussmuffen.
- Stahlrohr
- Bodendüse
- Multi-Adapter (nur S 13/S 26)

Wenn eines der Teile fehlt, wenden Sie sich an Ihre lokale Servicewerkstatt oder Ihren Vertreter.

Bei Modellen, deren vordere Rollen aufgrund der Größe des Pakets nicht montiert sind:

- Montieren Sie die vorderen Rollen mit der im Lieferumfang enthaltenen Schraube oder Mutter und Scheibe.

Entsorgen Sie das Paket und verwendete Gerätekomponenten ordnungsgemäß. Beachten Sie die lokalen Entsorgungsvorschriften. Führen sie entsprechende Teile dem Recycling zu.

So befestigen Sie den Saugschlauch

Am Gerät befindet sich ein Schlaucheinlass mit einer Schlauchverriegelung. Die Schlauchverriegelung sorgt dafür, dass der Saugschlauch-Adapter nicht herunterfällt.

1. Heben Sie die Schlauchverriegelung an und befestigen Sie den Saugschlauch-Adapter.
2. Führen Sie die Schlauchverriegelung in die Aussparung des Adapters ein.

So befestigen Sie die Düse am Handrohr

Die Bodendüse verfügt über verstellbare Räder. Stellen Sie die Räder so ein, dass eine optimale Saugwirkung erzielt wird. Stellen Sie die Räder mit dem Knopf ein, der sich auf der Rückseite der Düse befindet. Die Räder und Gummistreifen können ausgetauscht werden. Halten Sie die Düse in einem einwandfreien Zustand.

Betrieb

Einleitung



WARNUNG: Lesen Sie vor der Benutzung des Geräts das Kapitel zur Gerätesicherheit und die Bedienungsanleitung.

Spannung entspricht, einschließlich Verlängerungskabel.

Vor der Verwendung



WARNUNG: Vergewissern Sie sich vor der Verwendung des Staubabsaugers, dass Stromversorgung und Spannung der auf dem Typenschild des Geräts angegebenen

Erdungsanweisungen

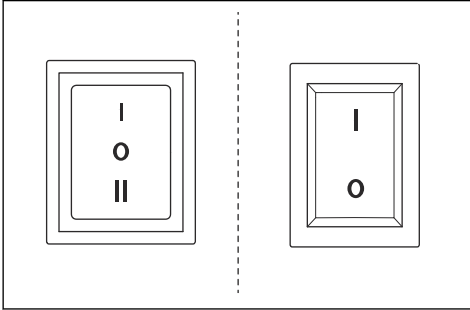


WARNUNG: Der Staubabsauger muss geerdet sein. Bei Fehlfunktion oder Ausfall, bietet die Erdung einen Weg des geringsten Widerstands für den elektrischen Strom, um die Gefahr von elektrischen Schlägen zu verringern. Der Staubabsauger verfügt über ein Kabel, das mit Geräteerdungsleiter und Erdungsstecker ausgestattet ist. Der Stecker muss in eine geeignete Steckdose gesteckt

werden, die korrekt und gemäß allen örtlichen Vorschriften und Verordnungen montiert und geerdet ist.

Starten und stoppen

Verwenden Sie den Schalter zum Starten des Staubabziehers.



Start-Schalter	Modelle mit automatischem Start	Modelle ohne automatischen Start
Schwarz – 3-stufig	0: Motor AUS I: Motor EIN II: Automatischer Start	
Rot – 2-stufig		0: Motor AUS I: Motor EIN

Automatische Startfunktion

Wenn Sie den Staubabsauger zusammen mit einem anderen Gerät verwenden, können Sie dazu eine Steckdose am Staubabsauger nutzen. Schließen Sie das andere Gerät an diese Steckdose an. Wenn Sie es dann einschalten, wird der Staubabsauger ebenfalls nach 1 bis 2 Sekunden gestartet. Wenn Sie es ausschalten, läuft der Staubabsauger noch ca. 10 Sekunden lang weiter, um den Schlauch zu leeren und stoppt dann ebenfalls.

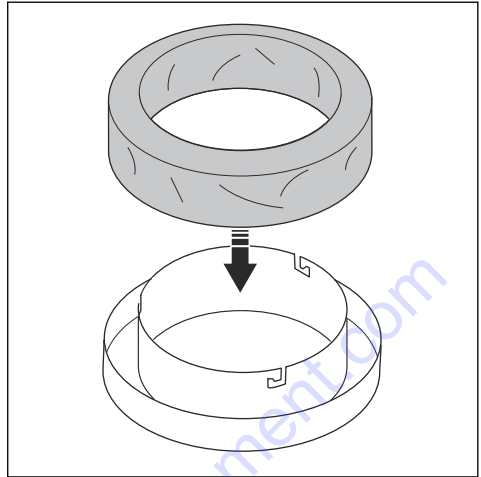
So bringen Sie einen neuen Longopac-Staubbeutel an:



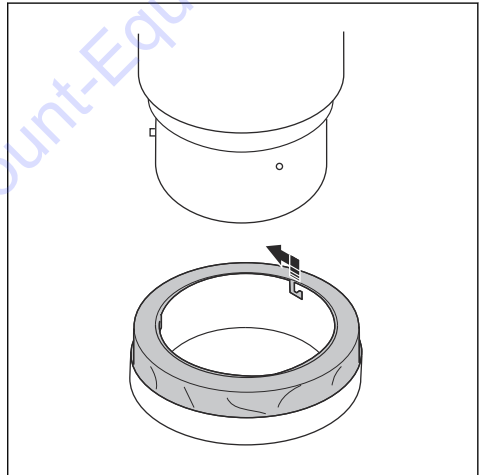
WARNUNG: Reinigen Sie den Vorfilter immer vor dem Wechseln des Beutel-Sammelsystems.

Hinweis: Der Staubabsauger verfügt über ein Longopac-System.

1. Montieren Sie den Staubbeutel im Halter.

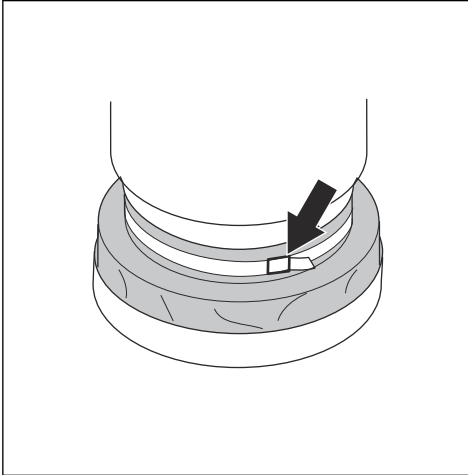


2. Befestigen Sie den Staubbeutelhalter am Behälter, indem Sie ihn auf die Haltestifte drehen.

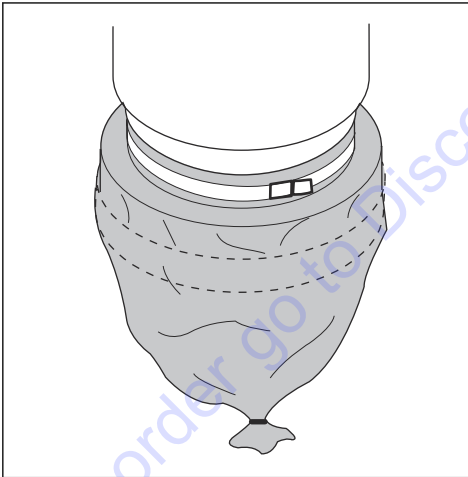


3. Ziehen Sie den Beutel vom Beutelhalter nach oben und legen Sie ihn um den Behälter.

4. Ziehen Sie einen Riemen um den Beutel und den Behälter, um den Beutel am Behälter zu befestigen.



5. Ziehen Sie den Staubbeutel über den Beutelhalter.
6. Verschließen Sie das untere Ende des Staubbeutels mit einem Kabelbinder.



So reinigen Sie den Filter



ACHTUNG: Wenn die Saugleistung weiterhin unzureichend ist, muss der Vorfilter ausgetauscht werden. Wenn die Saugleistung danach immer noch nicht zufriedenstellend ist, müssen die HEPA-Filter ausgetauscht werden. Beachten Sie die Anweisungen unter *So tauschen Sie den HEPA-Filter aus* auf Seite 49.

Der Filter muss von Zeit zu Zeit gereinigt werden. Dies muss vor dem Wechseln des Plastikbeutel-Sammelsystems erfolgen und sollte auch nach Beendigung der Arbeit oder bei schlechter Saugleistung durchgeführt werden.

1. Während der Staubabsauger läuft, den Einlass mit dem Einlassstopfen oder Einlassventil verschließen.
2. Lassen Sie den dust extractor 5 Sekunden lang ein Vakuum aufbauen, drücken Sie dann den Jet Pulse-Griff und halten Sie ihn 5 Sekunden lang gedrückt.
3. Wiederholen Sie Schritt 2 fünf Mal. Es ist wichtig, den dust extractor zwischen den einzelnen Wiederholungen erneut ein Vakuum erzeugen zu lassen.
4. Wenn die Saugleistung weiterhin unzureichend ist, muss der Filter ausgetauscht werden. Tauschen Sie den Kunststoffbeutel erst nach der Reinigung des Filters aus.

Wartung

Einleitung



WARNUNG: Verwenden Sie eine geeignete Sicherheitsausrüstung, siehe *Persönliche Schutzausrüstung* auf Seite 44 während des Betriebs. Während Wartung und Service kann Staub freigesetzt werden.



WARNUNG: Die meisten Unfälle ereignen sich bei der Störungsbehebung, dem Service oder der Wartung der Maschine, weil das Wartungspersonal sich hierfür im Sicherheitsbereich der Maschine aufhalten muss. Unfälle können allein dadurch verhindert werden, dass man derartige Einsätze sorgfältig plant und dabei vorsichtig vorgeht.



WARNUNG: Sofern nicht anders angegeben, muss der Motor bei den in diesem Kapitel beschriebenen Arbeiten ausgeschaltet sein.

Wartungsplan S - Line Dust Extractor

Die Wartungsintervalle werden anhand der täglichen Nutzung des Produkts berechnet. Die Intervalle ändern sich, wenn das Produkt nicht täglich verwendet wird.



WARNUNG: Die Überprüfung elektrischer Bauteile darf ausschließlich von einem lizenzierten Elektriker durchgeführt werden.

Wartung	Vor jedem Gebrauch	Täglich	Wöchentlich	Wenn die Saugleistung niedrig ist	6 Monate oder 1000 h	12 Monate oder 2000 h
Achten Sie auf Anzeichen von Verschleiß, Beschädigung oder losen Anschlüssen der Bedienelemente, bevor Sie das Gerät anschließen.	X					
Prüfen Sie, ob Staubbeutel/Longopac korrekt ist.		X				
Prüfen Sie den Filter-Reinigungsmechanismus.		X				
Prüfen Sie die Räder. Kontrollieren Sie das Gerät auf Beschädigungen und fehlerhafte Anschlüsse.			X			
Reinigen Sie den Vorfilter.				X		
Tauschen Sie den Vorfilter aus.					X	
Tauschen Sie den HEPA filter aus				X		X

So reinigen Sie den Staubabsauger

Es ist wichtig, den Staubabsauger zu reinigen, um eine Zirkulation gefährlicher Stäube zu vermeiden. Reinigen Sie den Staubabsauger immer, bevor er aus dem Arbeitsbereich bewegt wird.



WARNUNG: Stellen Sie den Motorschalter auf AUS und trennen Sie das Kabel von der Stromversorgung, bevor Sie das Gerät reinigen oder warten.

- Alle einmal benutzten Geräte müssen als verunreinigt angesehen und danach behandelt werden.

- Alle Teile, die nach Servicearbeiten verunreinigt sind, müssen ordnungsgemäß in Plastiktüten entsorgt werden. Beachten Sie die lokalen Vorschriften.
- Verwenden Sie beim Reinigen des Gerätes immer geeignete persönliche Schutzausrüstung. Siehe *Persönliche Schutzausrüstung auf Seite 44*.
- Reinigen Sie die äußere Oberfläche mit einem feuchten Tuch.
- Reinigen Sie die Filter und den Staubabsauger im entsprechenden Bereich.
- Saugen Sie den Vorfilter von außen ab. Verwenden Sie für die Staubabsauger immer HEPA-Filter und eine weiche Bürste, um den Filter nicht zu beschädigen.

- Verwenden Sie für die elektrischen Komponenten kein Wasser.
- Reinigen Sie den Staubabsauger nicht mit Hochdruck (Luft oder Wasser).
- Legen Sie keine Werkzeuge auf die Oberfläche des Filters, denn der Filter kann auf diese Weise beschädigt werden.
- Achten Sie darauf, dass kein Loch im HEPA filter ist, denn dies würde ein Gesundheitsrisiko darstellen.

der Innenseite des Filtermediums führt zur Zerstörung des neuen Filters.

Hinweis: Empfohlene Intervalle für den Filterwechsel: Vorfilter alle 6 Monate und HEPA-Filter alle 12 Monate.

1. Lösen Sie die Schrauben am Luftfilterdeckel.
2. Heben Sie den Filter vorsichtig in einen sauberen Plastikbeutel. Dieser Beutel muss ordnungsgemäß entsorgt werden.
3. Setzen Sie einen neuen Filter in umgekehrter Reihenfolge ein.

Filterwechsel



WARNUNG: Tragen Sie während der Filterwechsel eine persönliche Sicherheitsausrüstung, siehe *Persönliche Schutzausrüstung auf Seite 44*. Während dem Filterwechsel kann Staub austreten.



WARNUNG: Stellen Sie vor dem Filterwechsel den Motorschalter auf Aus und trennen Sie das Kabel von der Stromversorgung.



ACHTUNG: Wenn Sie den Vorfilter entfernen, um ihn zu reinigen, arbeiten Sie nur mit niedrigem Wasserdruck, zunächst innen, dann außen. Gewaltanwendung, die Verwendung von hohem Wasserdruck oder Druckluft, führen zur Zerstörung des Filters. Der Filter muss zu 100 % trocken sein, bevor Sie ihn wieder in das Gehäuse einsetzen.

So tauschen Sie den HEPA-Filter aus



ACHTUNG: Reinigen Sie keine HEPA-Filter. Der Versuch, einen HEPA-Filter zu reinigen, zerstört ihn. Berühren Sie beim Einsetzen des neuen Filters nicht das Innere des Filters. Jede Art von Kraft/Beschädigung an

1. Lösen Sie die 3 Spannverschlüsse und entfernen Sie das Oberteil.
2. Nehmen Sie den Beutel des neuen Filters.
3. Heben Sie den Filter heraus, und schieben Sie ihn vorsichtig in einen Plastikbeutel. Dieser Beutel muss ordnungsgemäß entsorgt werden.
4. Setzen Sie einen neuen Filter ein.

Fehlerbehebung

Problemlösung

Problem	Ursache	Lösung
Der Motor startet nicht	Keine Stromversorgung	Maschine einstecken
	Kabel defekt	Kabel ersetzen
	Schalter defekt	Tauschen Sie den Schalter aus
	Softstart defekt	Tauschen Sie den Softstart aus
Motor geht sofort nach dem Anlassen aus	Falsche Sicherung	An richtige Sicherung anschließen
	Kurzschluss im Kabel/Maschine	Kundendienst beauftragen
Motor läuft, aber keine Ansaugung	Schlauch nicht angeschlossen	Schlauch anschließen
	Schlauch verstopft	Schlauch reinigen
	Kein Staubauffangbeutel	Staubauffangsystem montieren

Problem	Ursache	Lösung
Der Motor läuft, aber die Saugleistung ist gering	Loch im Schlauch	Schlauch ersetzen
	Filter verstopft	Filter reinigen/austauschen
	Obere Abdeckung gelöst	Einstellen
	Schmutz in der Klappe	Klappe reinigen
	Defekte Dichtungen	Betroffenen Dichtungen ersetzen
Staub wird aus Motor ausgeblasen	Falsch montiertes oder beschädigtes Filtersystem	Filter anpassen/austauschen
Ungewöhnliche Geräusche		Kundendienst beauftragen

Transport, Lagerung und Entsorgung

Transport des Gerätes

- Vergewissern Sie sich vor dem Transport des Gerätes, dass der Longopac Beutel leer ist
- Vergewissern Sie sich, dass der Longopac Beutel während des Transports am Gerät angebracht ist.
- Benutzen Sie vorsichtshalber Rampen oder Winden zum Anheben des Staubabsaugers. Holen Sie sich Hilfe, wenn Sie sich nicht sicher sind, wie Sie schwere Geräte anheben sollen.
- Achten Sie beim Transport des Produkts darauf, dass dieses gesichert ist und weder beschädigt wird noch Unfälle verursacht.
- Verriegeln Sie die Laufrollen ordnungsgemäß.
- Wenn möglich, führen Sie den Transport des Gerätes bei guten Wetterbedingungen durch.
- Wenn möglich, transportieren Sie das Gerät in einem geschlossenen Fahrzeug.

- Setzen Sie das Gerät weder Regen noch Feuchtigkeit aus.
- Verriegeln Sie die Laufrollen ordnungsgemäß.
- Trennen Sie das Gerät von der Stromversorgung.
- Lagern Sie das Gerät und die Ausrüstung in einem trockenen Bereich ohne Frost oder übermäßige Hitze.
- Lagern Sie die Ausrüstung in einem verschlossenen Raum, sodass sie für Kinder und Unbefugte unzugänglich ist.

So entsorgen Sie das Gerät

- Befolgen Sie die örtlichen Recyclinganforderungen und geltenden Vorschriften.
- Wenn Sie das Produkt nicht mehr benutzen, senden Sie es an einen Händler oder entsorgen Sie es bei einer Recyclingstelle.

Lagerung des Produktes

- Das Gerät muss geschützt in geschlossenen Räumen aufbewahrt werden.

Technische Angaben

Technische Daten

Daten	S 13 [220 - 230 V]	S 26 [220 - 230 V]	S 36 [220 - 230 V]	S 13 [110 - 120 V]	S 26 [110 - 120 V]
Nennspannung (einphasig), V	220 - 230	220 - 230	220 - 230	110 - 120	110 - 120
Frequenz, Hz	50 - 60	50 - 60	50 - 60	50 - 60	50 - 60

Daten	S 13 [220 - 230 V]	S 26 [220 - 230 V]	S 36 [220 - 230 V]	S 13 [110 - 120 V]	S 26 [110 - 120 V]
Leistung (max.), kW (PS)	1,2 (1,6)	2,4 (3,2)	3,6 (4,8)	1,2 (1,6)	2,4 (3,2)
Stromstärke (max.), A	5	9	14	8	16
Luftstrom (max.), m ³ /h (cfm)	200 (118)	400 (236)	600 (354)	219 (129)	438 (258)
Sauger (max.), kPa (psi)	22 (3,2)	22 (3,2)	22 (3,2)	24 (3,5)	24 (3,5)
Länge des Hauptschlauchs, m	4 (13)	7,5 (25)	10 (33)	4 (13)	7,5 (25)
Durchmesser Hauptschlauch, mm	38 (1,5)	51 (2)	63 (2,5)	38 (1,5)	51 (2)
Einlassdurchmesser, mm	38 (1,5)	63 (2,5)	63 (2,5)	38 (1,5)	63 (2,5)
Zusatzsteckdose	Ja	Nein	Nein	Nein	Nein
Max. Leistung Zusatzsteckdose, W	1200	N/A	N/A	N/A	N/A
Vorfilter, % bei 1 µm	99,5	99,5	99,5	99,5	99,5
Vorfilter-Bereich, m ²	16	3 (32)	4,5 (48)	16	3 (32)
HEPA filter 99,99 % bei 0,3 µm	1	2	3	1	2
Gesamtfläche HEPA filter, m ²	1,2 (13)	2,4 (26)	3,6 (39)	1,2 (13)	2,4 (26)
Staubauffangsystem, Art	Longopac	Longopac	Longopac	Longopac	Longopac
Filter-Reinigungsmechanismus	Jet Pulse	Jet Pulse	Jet Pulse	Jet Pulse	Jet Pulse
Abmessungen (LxBxH), mm	680X400x1100 (26x15,8x43,3)	756X546x1275 (29x21,5x50,2)	830X620x1500 (32,5x24,5x60)	680X400x1100 (26x15,8x43,3)	756X546x1275 (29x21,5x50,2)
Gewicht, kg	29 (66)	47 (105)	63 (140)	29 (66)	47 (105)
Schalleistungspegel, L _{WA} gemessen, dB(A) ¹⁰	87,3	92,4	99,9	87,3	92,4
Schalldruckpegel L _{PA} am Ohr des Bedieners, dB(A) ¹¹	76	79,6	84,5	76	79,6
Vibrationspegel a _n , m/s ² ¹²	≤2,5				

¹⁰ Umweltbelastende Geräuschemission gemessen als Schalleistung (LWA) gemäß EN 60335-2-69. Unsicherheit KWA 2 dB.

¹¹ Schalldruckpegel gemäß EN 60335-2-69. Unsicherheit KPa 2 dB.

¹² Vibrationspegel gemäß EN 60335-2-69. Berichten zufolge liegt der Vibrationspegel normalerweise bei einer Ausbreitungsklasse (Standardabweichung) von 1 m/s².

EG-Konformitätserklärung

EU-Konformitätserklärung

CE

(nur für Europa)

Beschreibung	Staubabsauger
Marke	HUSQVARNA
Typ/Modell	S 13, S 13 230V, S 13 120V, S 26, S 26 230V, S 26 120V, S 36, S 26 230V, S 36 120V
Identifizierung	Seriennummern ab 2018

Es erfüllt die folgenden EU-Vorschriften und -Richtlinien:

Richtlinie/Verordnung	Beschreibung
2006/42/EC	„Maschinenrichtlinie“
2011/65/EU	„Zur Beschränkung gefährlicher Stoffe“

und dass die harmonisierten Normen und/oder technischen Daten wie folgt angewendet werden;

EN ISO 12100:2010

EN 60335-1:2012/A11:2014/AC:2014

EN 60335-2-69:2012

Partille, 2018-11-30



To order go to Discount-Equipment.com

Original instructions
Instructions d'origine
Originele instructies
Originalanweisungen

1140479-20



2018-12-03

TO PURCHASE THIS PRODUCT PLEASE CONTACT US



**Equipment Financing and
Extended Warranties Available**



**Discount-Equipment.com is your online resource for
commercial and industrial quality parts and equipment sales.**

561-964-4949

visit us on line @ www.discount-equipment.com

Select an option below to find your Equipment

Search by Manufacturer

Search by Product Type

Request a Quote

We sell worldwide for the brands: Genie, Terex, JLG, MultiQuip, Mikasa, Essick, Whiteman, Mayco, Toro Stone, Diamond Products, Generac Magnum, Airman, Haulotte, Barreto, Power Blanket, Nifty Lift, Atlas Copco, Chicago Pneumatic, Allmand, Miller Curber, Skyjack, Lull, Skytrak, Tsurumi, Husquvarna Target, Stow, Wacker, Sakai, Mi-T-M, Sullair, Basic, Dynapac, MBW, Weber, Bartell, Bennar Newman, Haulotte, Ditch Runner, Menegotti, Morrison, Contec, Buddy, Crown, Edco, Wyco, Bomag, Laymor, EZ Trench, Bil-Jax, F.S. Curtis, Gehl Pavers, Heli, Honda, ICS/PowerGrit, IHI, Partner, Imer, Clipper, MMD, Koshin, Rice, CH&E, General Equipment, Amida, Coleman, NAC, Gradall, Square Shooter, Kent, Stanley, Tamco, Toku, Hatz, Kohler, Robin, Wisconsin, Northrock, Oztec, Toker TK, Rol-Air, APT, Wylie, Ingersoll Rand / Doosan, Innovatech, Con X, Ammann, Mecalac, Makinex, Smith Surface Prep, Small Line, Wanco, Yanmar