



# SPARE PARTS LIST

POWER CUTTERS

K760 CUT-N-BREAK, 2009-11

Go to [Discount-Equipment.com](http://Discount-Equipment.com) to order your parts



# PARTS FINDER

**Search Website  
by Part Number**



**Search Manual  
Library For Parts  
Manual & Lookup Part  
Numbers – Purchase  
or Request Quote**

**Search Manuals**

Enter your information to help us find the right parts manual for your machine.

\* Brand:

\* Model:

\* Serial:

\* Part Number:

SEARCH

**Can't Find Part or  
Manual? Request Help  
by Manufacturer,  
Model & Description**

**Parts Order Form**

Please fill in the following information to help us find the right part for your machine.

MANUFACTURER:

MODEL:

DESCRIPTION:

DATE:

TIME:

PHONE:

EMAIL:

ADDRESS:

CITY:

STATE:

ZIP:

NAME:

COMPANY:

PHONE:

EMAIL:

REQUEST FOR QUOTE

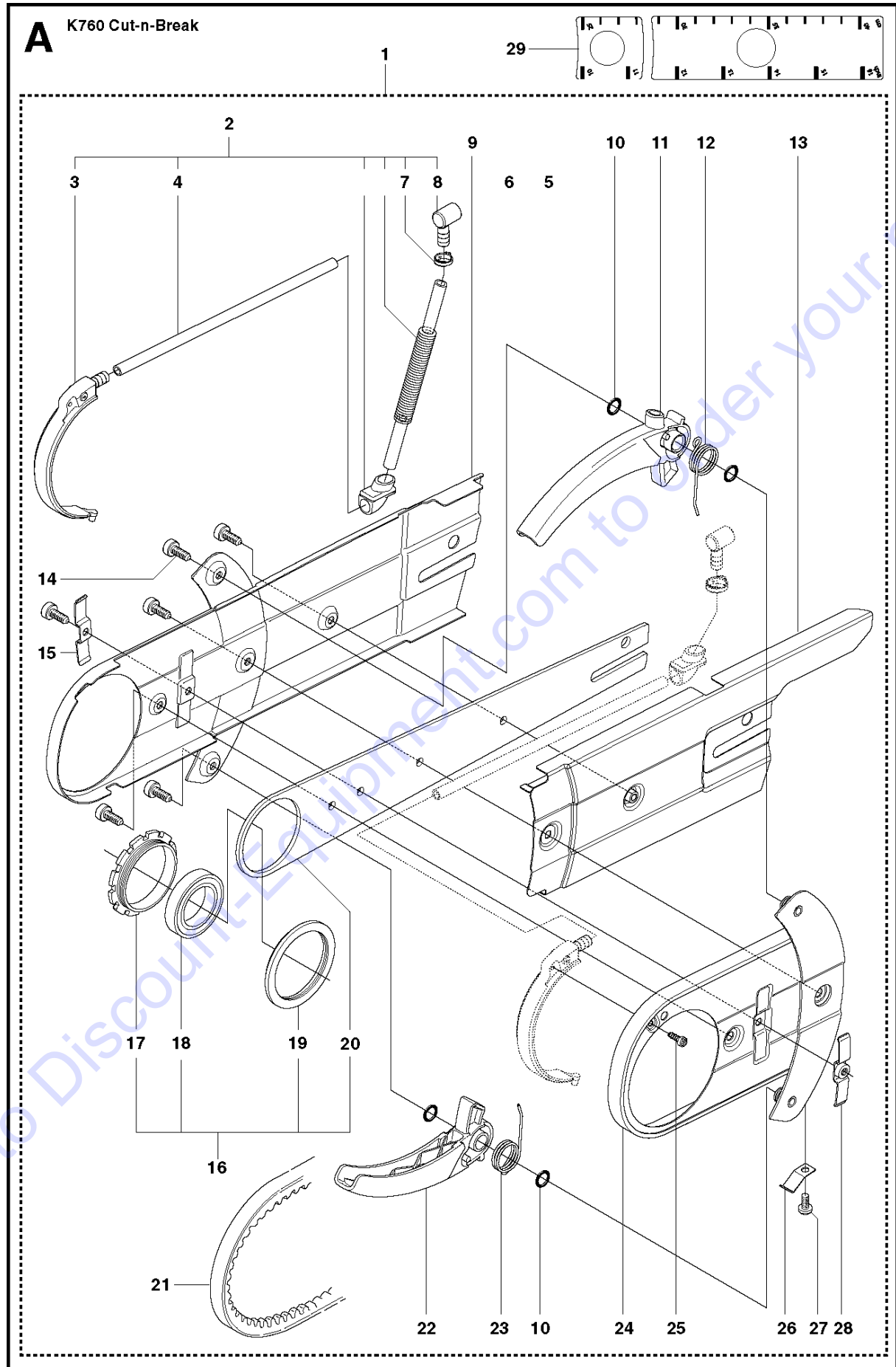
Discount-Equipment.com is your online resource for quality parts & equipment.

Florida: **561-964-4949** Outside Florida TOLL FREE: **877-690-3101**

**Need parts?**

Click on this link: <http://www.discount-equipment.com/category/5443-parts/> and choose one of the options to help get the right parts and equipment you are looking for. Please have the machine model and serial number available in order to help us get you the correct parts. If you don't find the part on the website or on one of the online manuals, please fill out the request form and one of our experienced staff members will get back to you with a quote for the right part that your machine needs.

We sell worldwide for the brands: Genie, Terex, JLG, MultiQuip, Mikasa, Essick, Whiteman, Mayco, Toro Stone, Diamond Products, Generac Magnum, Airman, Haulotte, Barreto, Power Blanket, Nifty Lift, Atlas Copco, Chicago Pneumatic, Allmand, Miller Curber, Skyjack, Lull, Skytrak, Tsurumi, Husquvarna Target, Stow, Wacker, Sakai, Mi-T-M, Sullair, Basic, Dynapac, MBW, Weber, Bartell, Bennar Newman, Haulotte, Ditch Runner, Menegotti, Morrison, Contec, Buddy, Crown, Edco, Wyco, Bomag, Laymor, EZ Trench, Bil-Jax, F.S. Curtis, Gehl Pavers, Heli, Honda, ICS/PowerGrit, IHI, Partner, Imer, Clipper, MMD, Koshin, Rice, CH&E, General Equipment, Amida, Coleman, NAC, Gradall, Square Shooter, Kent, Stanley, Tamco, Toku, Hatz, Kohler, Robin, Wisconsin, Northrock, Oztec, Toker TK, Rol-Air, APT, Wylie, Ingersoll Rand / Doosan, Innovatech, Con X, Ammann, Mecalac, Makinex, Smith Surface Prep, Small Line, Wanco, Yanmar



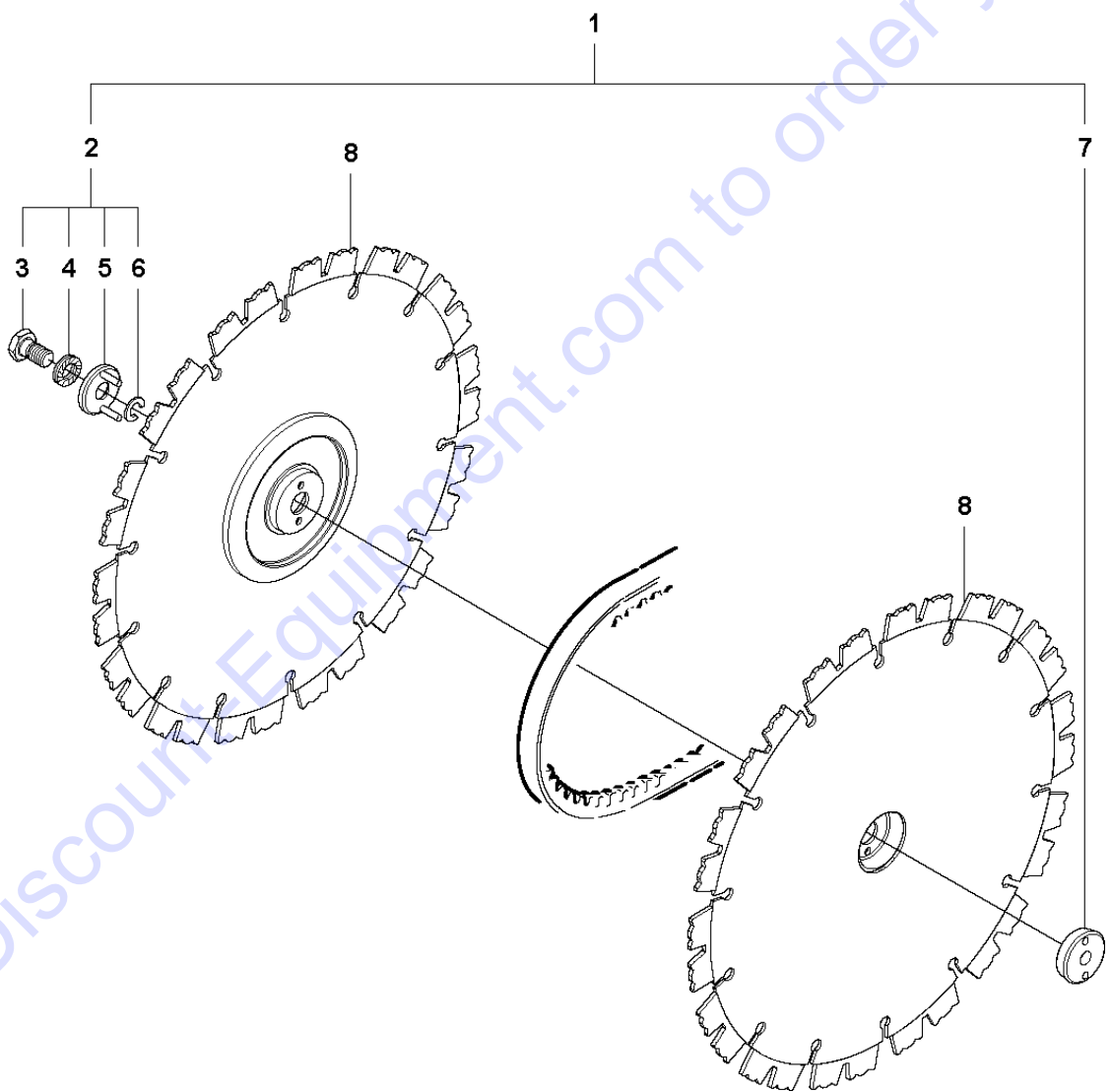
## CUTTER ARM

K760 CUT-N-BREAK, 2009-11

Ref	Part No	Description	Remark	QTY KIT
1	575 27 99-01	CUTTER ARM	Incl. 2, 9 - 16, 21 - 28	1
2	544 10 50-04	HOSE	Incl. 3 - 8	1
3	504 87 52-01	SEALING		1
4	544 04 17-01	HOSE		1
5	506 40 57-02	GROMMET		1
6	506 35 27-02	PROTECTIVE SPRING		1
7	506 09 56-05	HOSE CLAMP		1
8	506 40 98-02	NIPPLE		1
9	506 40 55-02	BELT GUARD		1
10	503 26 30-08	O-RING		2
11	506 40 64-03	BLADE GUARD		1
12	506 40 61-01	SPRING		1
13	525 56 45-01	BELT COVER		1
14	503 21 53-10	SCREW ITXSCM		6
15	506 40 56-01	DEFLECTION LIMITER		1
16	544 10 37-03	BAR	Incl. 17 - 20	1
17	506 40 28-02	BEARING CAGE		1
18	544 10 59-01	BEARING		1
19	506 40 29-02	BUSHING		1
20	506 40 53-01	BAR		1
21	506 37 27-02	BELT		1
22	506 40 65-02	BLADE GUARD		1
23	506 40 61-02	SPRING		1
24	506 40 46-02	WEAR PROTECTION		1
25	503 21 28-10	SCREW CCRPANT		1
26	506 40 51-01	STOP		1
27	724 12 84-01	SCREW CRPANM		1
28	506 40 56-02	DEFLECTION LIMITER		1
29	544 37 44-02	LABEL		1

Go to Discount-Equipment.com to order your parts

**B** K760 Cut-n-Break

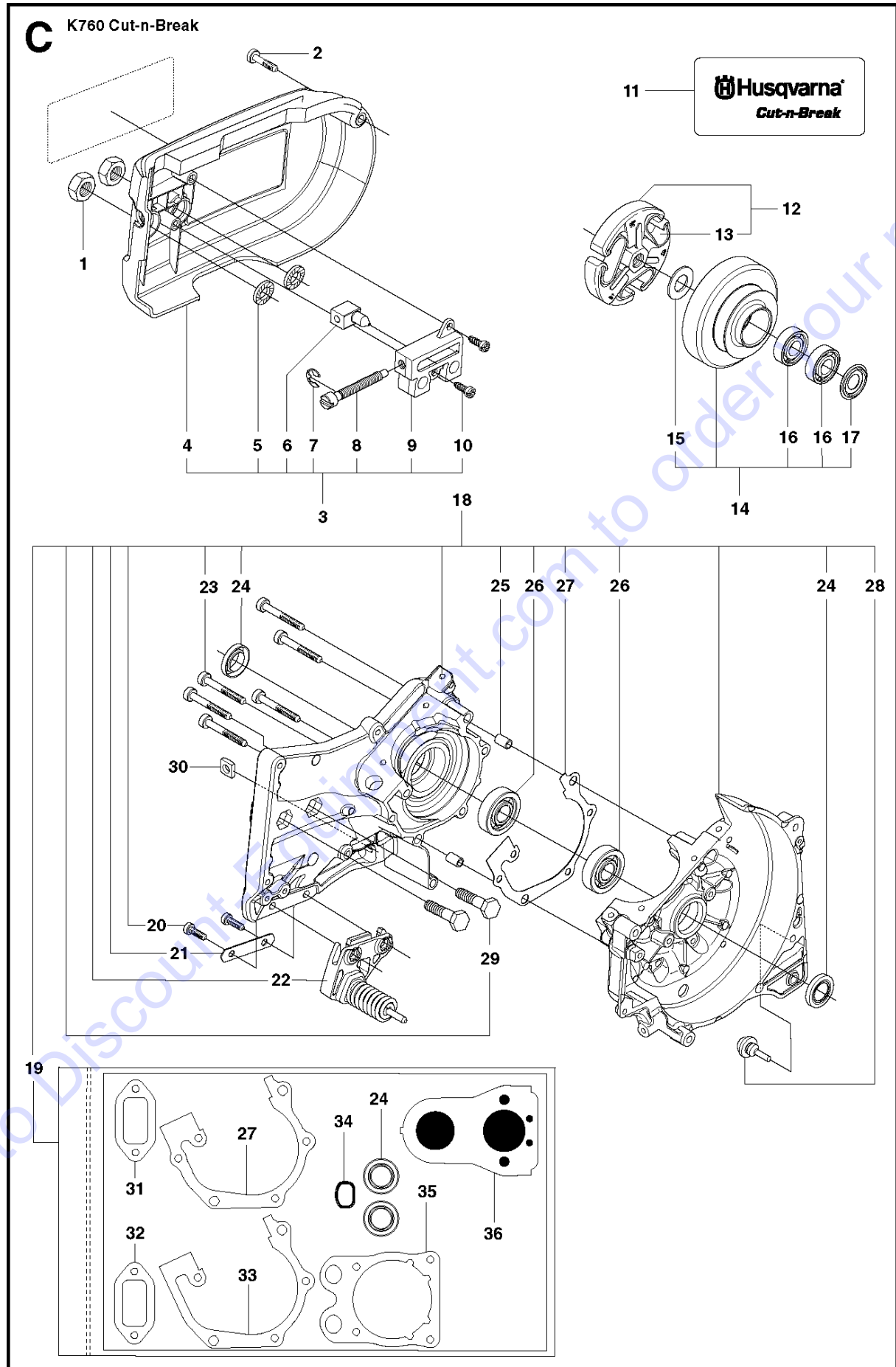


## CUTTING BLADE

K760 CUT-N-BREAK, 2009-11

Ref	Part No	Description	Remark	QTY KIT
1	501 00 88-02	SCREW KIT	Incl. 2, 7	1
2	501 00 88-01	SCREW KIT		1
3	506 40 25-02	SCREW		1
4	503 23 04-03	WASHER		1
5	544 26 53-01	WASHER		1
6	735 31 10-41	RETAINER RING		1
7	506 40 24-01	NUT		1
8	574 83 62-01	DIAMOND BLADE	EL10 CnB Soft	2
8	574 83 62-02	DIAMOND BLADE	EL35 CnB Medium	2
8	574 83 62-03	DIAMOND BLADE	EL70 CnB Hard	2

Go to [Discount-Equipment.com](http://Discount-Equipment.com) to order your parts



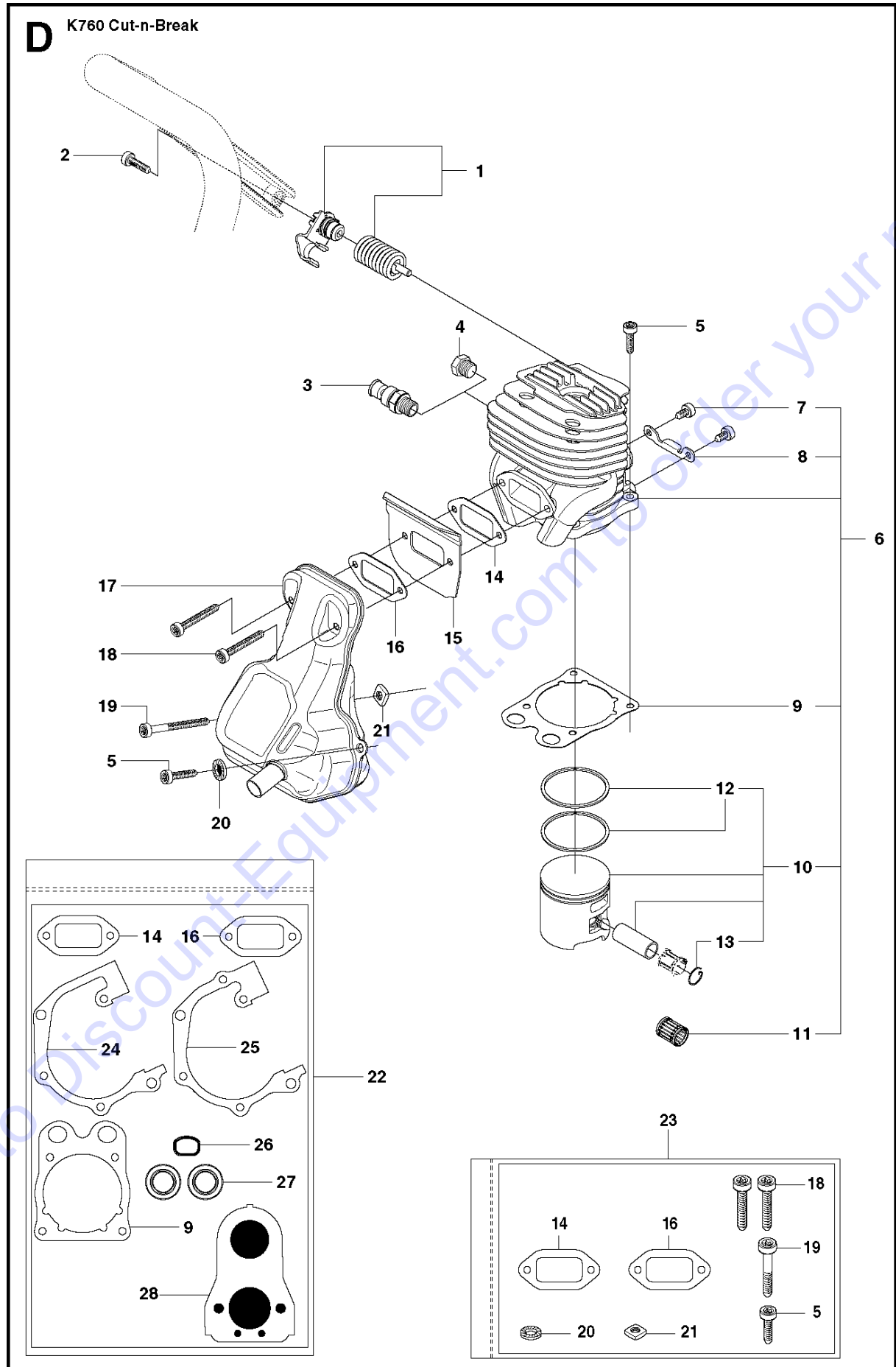
## CRANKCASE

K760 CUT-N-BREAK, 2009-11

Ref	Part No	Description	Remark	QTY KIT
1	731 23 18-01	HEXAGON NUT		2
2	503 20 34-19	SCREW CCRPANMO		1
3	575 33 81-01	BELT TENSIONER ASSY	Incl. 4 - 10	1
4	525 62 39-01	CLUTCH COVER		1
5	503 23 04-01	WASHER		2
6	574 24 09-01	PAWL		1
7	735 31 08-20	E-CLIP		1
8	506 40 26-01	SCREW		1
9	506 40 33-01	BELT		1
10	504 90 94-10	SCREW ITXSCT		2
11	574 48 96-01	DECAL		1
12	503 74 44-06	CLUTCH ASSY	Incl. 13	1
13	503 74 43-01	CLUTCH SPRING		1
14	502 28 92-03	DRIVING PULLEY ASSY	Incl. 15 - 17	1
15	503 23 00-70	WASHER		1
16	525 83 18-01	BALL BEARING		2
17	506 31 69-01	DUST COVER		1
18	574 47 48-02	CRANKCASE ASSY	Incl. 19 - 29	1
19	506 38 53-05	GASKET KIT	Incl. 24, 27, 30 - 35	1
20	503 21 53-16	SCREW ITXSCT		2
21	522 47 48-01	PLATE		1
22	522 47 57-01	SPRING RETAINER		1
23	503 21 53-41	SCREW ITXSCT		6
24	503 26 02-04	SEALING RING		2
25	501 27 08-01	GUIDE BUSHING		2
26	738 22 02-25	BALL BEARING		2
27	506 37 70-02	GASKET		1
28	503 84 61-01	BUFFER		1
29	505 22 09-37	BAR BOLT		2
30	503 22 65-04	SQUARE NUT		1
31	506 41 23-01	GASKET		1
32	506 37 69-02	GASKET		1
33	506 37 70-03	GASKET		1
34	544 21 93-02	INSERT		1
35	506 37 67-01	CYLINDER		1
36	506 37 68-03	GASKET		1

Go to Discount-Equipment.com to order your parts





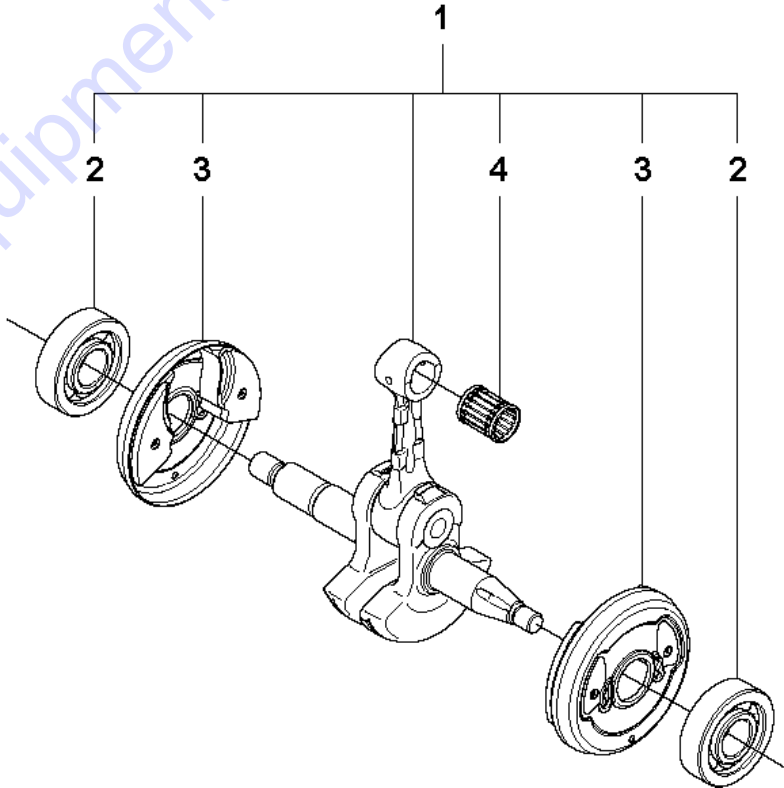
## CYLINDER

K760 CUT-N-BREAK, 2009-11

Ref	Part No	Description	Remark	QTY KIT
1	505 42 45-01	ANTIVIBRATION ELEMENT		1
2	544 06 12-01	SCREW ITXSCM		1
3	503 71 53-01	DECOMPRESSION VALVE		1
4	503 55 22-01	PLUG		1
5	503 21 53-25	SCREW ITXSCM		5
6	520 75 73-04	CYLINDER ASSY	Incl. 7 - 11	1
7	503 21 53-16	SCREW ITXSCM		2
8	506 36 88-01	BRACKET		1
9	506 37 67-01	CYLINDER		1
10	506 37 24-01	PISTON ASSY	Incl. 12 - 13	1
11	503 25 56-01	NEEDLE BEARING		1
12	503 28 90-47	PISTON RING		2
13	737 43 12-00	SNAP RING		2
14	506 41 23-01	GASKET		1
15	506 37 58-02	COOLING AIR CONDUCTOR		1
16	506 37 69-02	GASKET		1
17	506 36 42-04	MUFFLER ASSY		1
18	503 21 53-40	SCREW ITXSCM		2
19	503 21 53-56	SCREW ITXSCM		1
20	503 23 04-02	WASHER		1
21	503 22 65-04	SQUARE NUT		1
22	506 38 53-05	GASKET KIT	Incl. 9, 14, 16, 24 - 28	1
23	505 25 96-01	MUFFLER KIT	Incl. 5, 14, 16, 18 - 21	1
24	506 37 70-02	GASKET		1
25	506 37 70-03	GASKET		1
26	544 21 93-02	INSERT		1
27	503 26 02-04	SEALING RING		2
28	506 37 68-03	GASKET		1

Go to Discount-Equipment.com to order your parts

**E** K760 Cut-n-Break



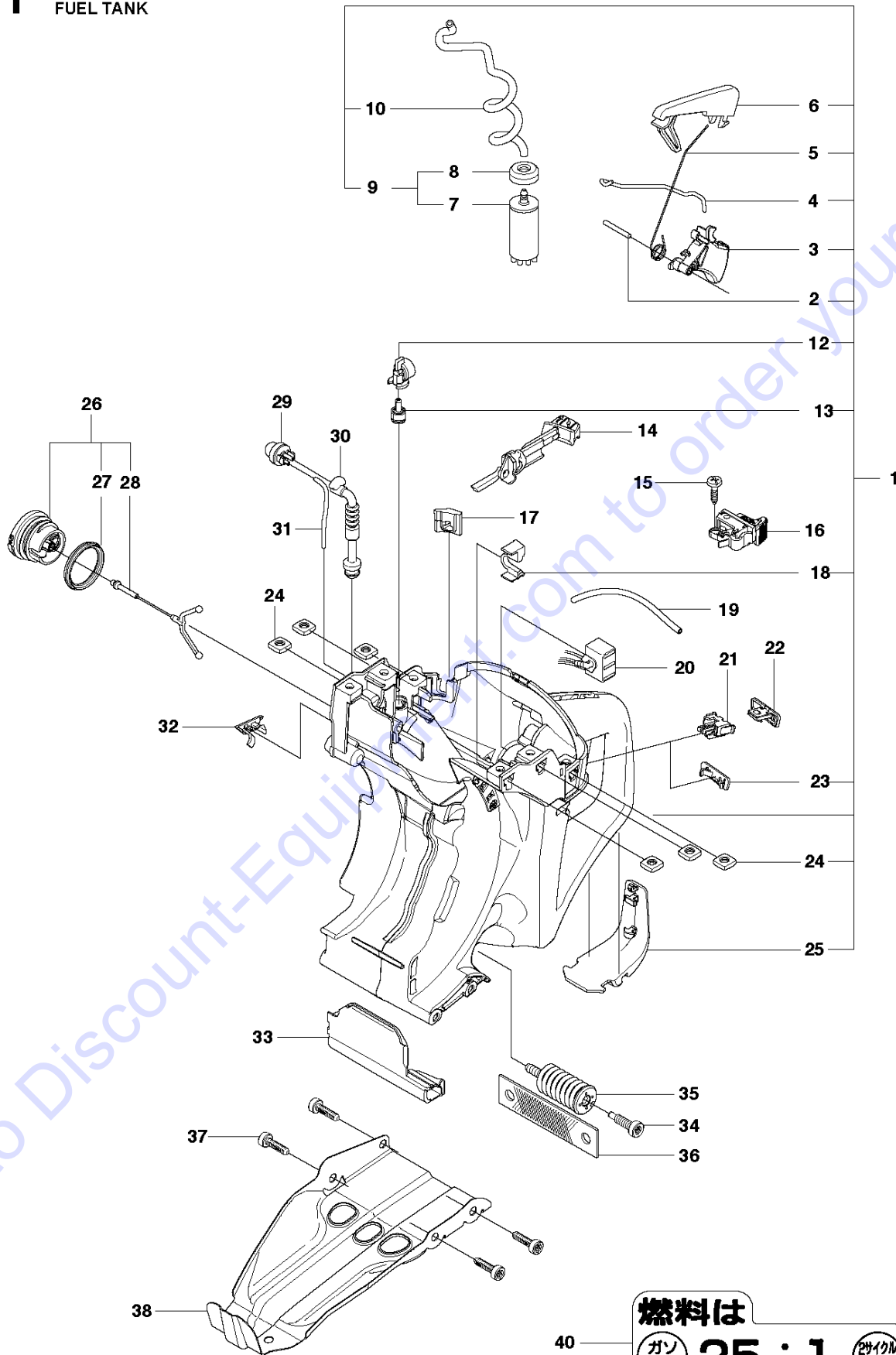
## CRANKSHAFT

K760 CUT-N-BREAK, 2009-11

Ref	Part No	Description	Remark	QTY KIT
1	502 29 50-02	CRANKSHAFT ASSY	Incl. 2 - 4	1
2	738 22 02-25	BALL BEARING		2
3	537 20 33-01	CUP		2
4	503 25 56-01	NEEDLE BEARING		1

Go to [Discount-Equipment.com](http://Discount-Equipment.com) to order your parts

**F** K760 CnB  
FUEL TANK



燃料は  
ガソリン 25 : 1 ツヤイクル専用オイル

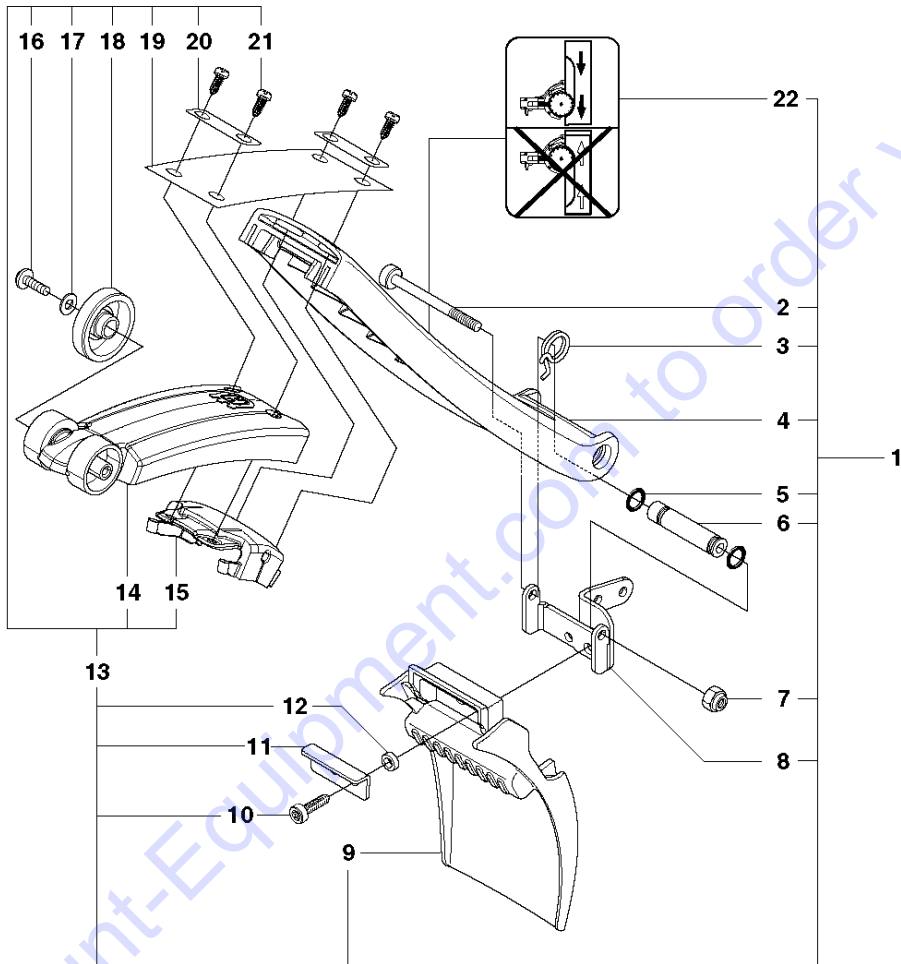
## FUEL TANK

K760 CUT-N-BREAK, 2009-11

Ref	Part No	Description	Remark	QTY KIT
1	593 28 18-01	FUEL TANK ASSY	Incl. 2 - 10, 12-13, 18, 23-25	1
2	720 12 40-20	PARALLEL PIN		2
3	588 08 62-02	THROTTLE CONTROL	OIL GUARD	1
3	588 08 62-01	THROTTLE CONTROL		1
4	579 37 92-01	THROTTLE ROD		1
5	587 74 60-01	SPRING		1
6	588 13 77-01	THROTTLE LOCKOUT		1
6	588 13 77-02	THROTTLE LOCKOUT	OIL GUARD	1
7	506 26 41-01	FUEL FILTER		1
8	506 27 11-01	HOSE CLAMP		1
9	506 26 41-11	FUEL FILTER	Incl. 7 - 8	1
10	581 75 62-03	FUEL HOSE		1
10	581 75 62-02	FUEL HOSE	Oil Guard	1
12	577 31 35-01	TANK VENT VALVE ASSY		1
13	501 15 29-01	TANK VENT ASSY		1
14	544 22 90-02	CHOKE CONTROL		1
15	525 88 74-02	SCREW CITXPANT		1
16	506 31 86-04	STOP SWITCH		1
17	506 37 80-01	GROMMET		1
18	544 39 32-01	HOSE CLIP		1
19	581 75 61-17	FUEL HOSE		1
20	544 38 41-01	ELECTRONIC BOX		1
21	501 01 88-01	HOUSING		1
22	501 01 94-01	SWITCH		1
23	501 37 13-01	LID		1
24	581 77 48-01	NUT		6
25	588 19 82-01	GROUND SUPPORT		1
26	522 62 00-03	TANK CAP ASSY		1
27	589 24 11-01	GASKET		1
28	503 57 89-01	HOLDER		1
29	540 05 49-01	AIR CLEANER		1
30	505 19 52-01	FUEL HOSE		1
31	537 04 24-14	FUEL HOSE		1
32	506 39 46-02	HUB CAP		1
33	506 38 15-01	HEAT SHIELD		1
34	544 06 12-01	SCREW ITXSCM		1
35	537 21 03-12	ANTIVIBRATION ELEMENT		1
36	544 23 82-01	BAND		1
37	503 21 54-20	SCREW ITXSCT		4
38	506 37 19-02	BASEPLATE		1
40	506 31 30-01	LABEL	Japan Only	1

Go to Discount Equipment.com to order your parts

**G** K760 Cut-n-Break



Go to Discount-Equipment.com to order your parts

## GROUND SUPPORT

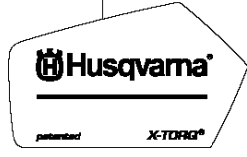
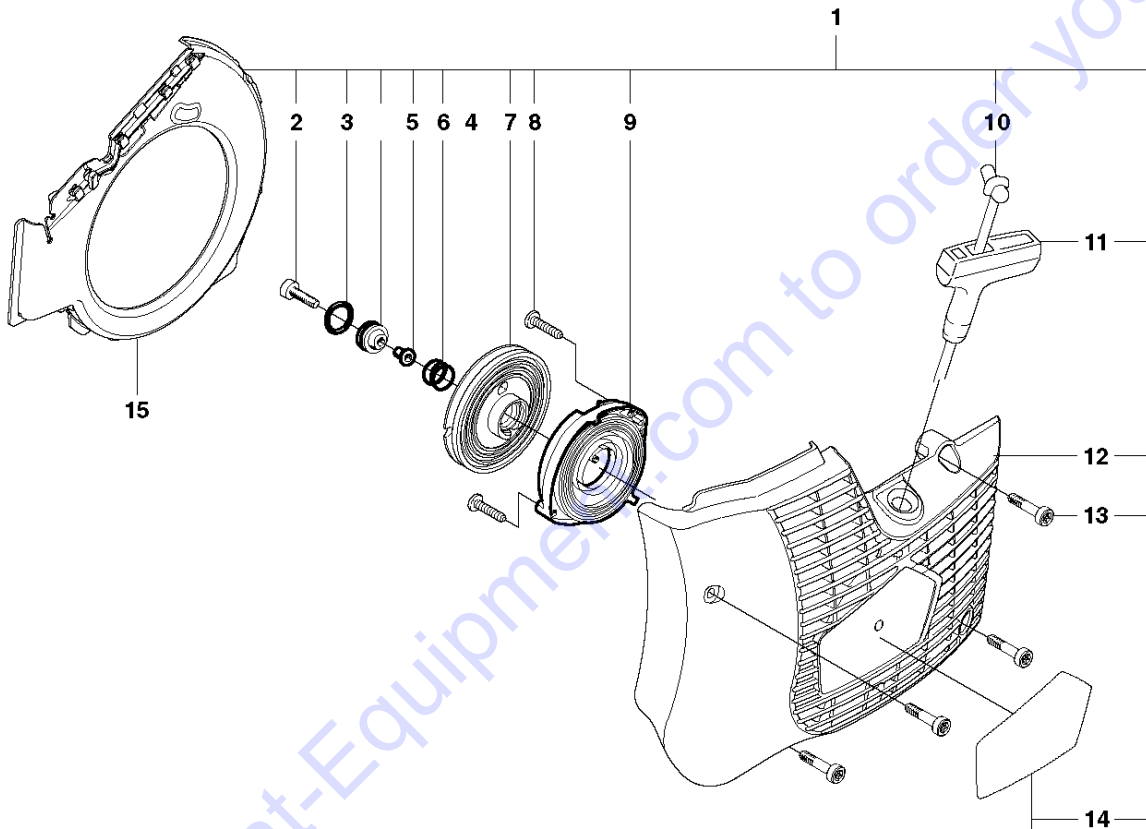
K760 CUT-N-BREAK, 2009-11

Ref	Part No	Description	Remark	QTY KIT
1	575 34 85-01	SPRAY GUARD	Incl. 2 - 13, 22	1
2	503 21 53-56	SCREW ITXSCM		1
3	506 40 60-01	SPRING		1
4	506 40 63-02	SPRAY GUARD		1
5	740 42 05-00	O-RING		2
6	506 40 37-01	BUSHING		1
7	732 21 14-01	LOCK NUT		1
8	525 73 98-01	HOLDER		1
9	544 03 21-01	SPRAY GUARD		1
10	503 21 53-16	SCREW ITXSCM		2
11	544 03 22-01	PLATE		1
12	544 03 92-01	BUSHING		2
13	510 05 66-01	SPRAY GUARD	Incl. 14 - 21	1
14	510 00 72-01	SPRAY GUARD		1
15	510 00 73-01	GUIDE		1
16	503 21 46-01	SCREW		2
17	734 48 80-01	WASHER		2
18	506 26 22-02	WHEEL		2
19	510 20 24-01	BAND		1
20	510 20 20-01	WASHER		2
21	503 21 27-16	SCREW CRPANT		4
22	522 03 81-01	DECAL		1

Go to Discount-Equipment.com to order your parts



**J** K760 Cut-n-Break



Go to Discount-Equipment.com to order your parts

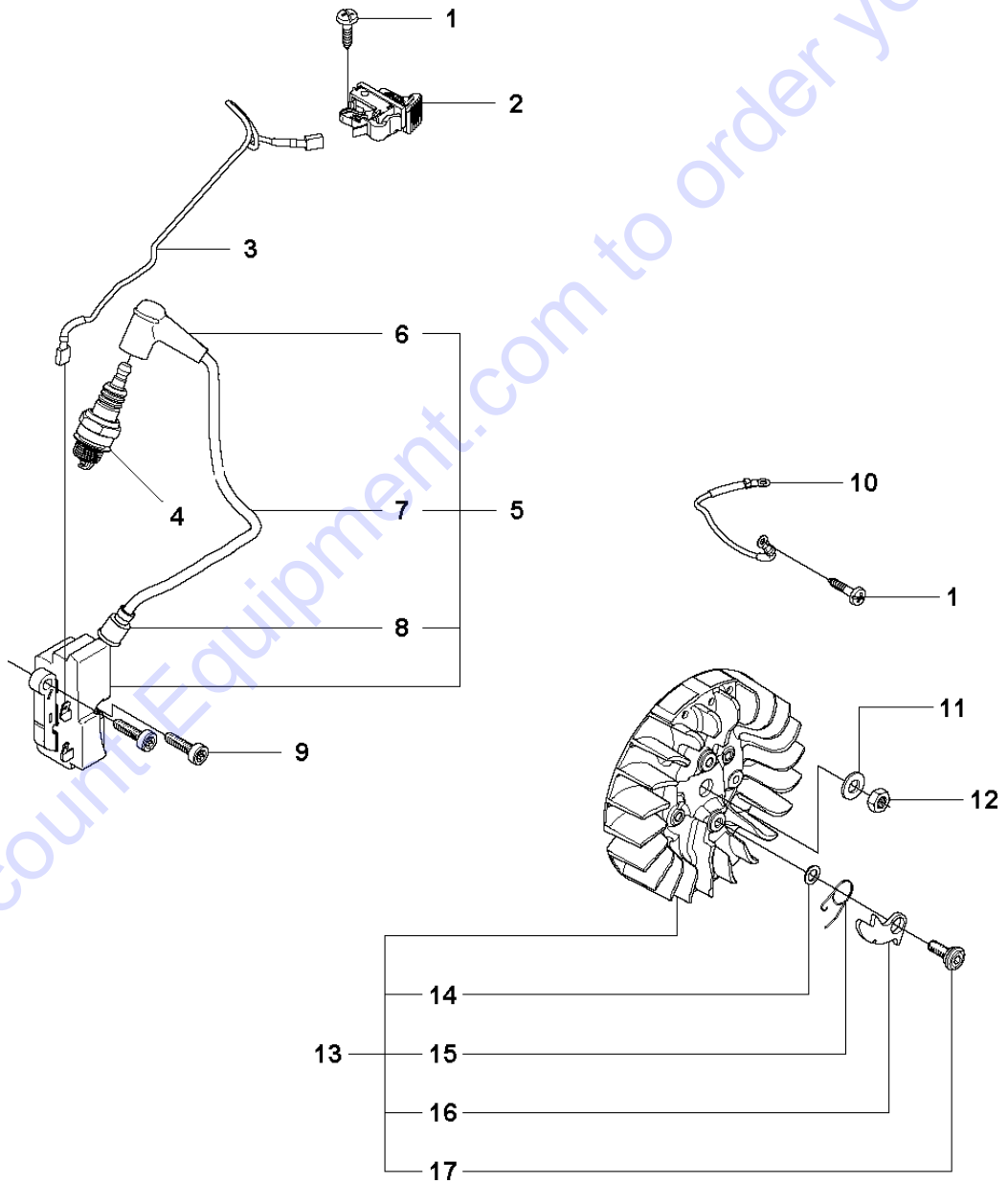
## STARTER

K760 CUT-N-BREAK, 2009-11

Ref	Part No	Description	Remark	QTY KIT
1	574 36 20-01	STARTER	Incl. 2 - 15	1
2	510 26 92-22	SCREW ITXSCT		1
3	740 43 13-00	O-RING		1
4	510 00 08-01	SEALING		1
5	506 26 31-01	SPACING SLEEVE		1
6	506 25 30-01	COMPRESSION SPRING		1
7	506 25 81-02	STARTER PULLEY		1
8	503 21 28-10	SCREW CCRPANT		2
9	506 25 89-01	RECOIL SPRING		1
10	506 33 56-15	CORD		1
10	506 33 56-50	STARTER CORD	50 m	1
11	503 12 79-01	STARTER HANDLE		1
12	525 44 60-01	STARTER COVER		1
13	501 98 10-20	SCREW ITXSCM		4
14	525 57 11-01	DECAL		1
15	544 38 39-01	AIR CONDUCTOR		1

Go to [Discount-Equipment.com](http://Discount-Equipment.com) to order your parts

**K** K760 Cut-n-Break



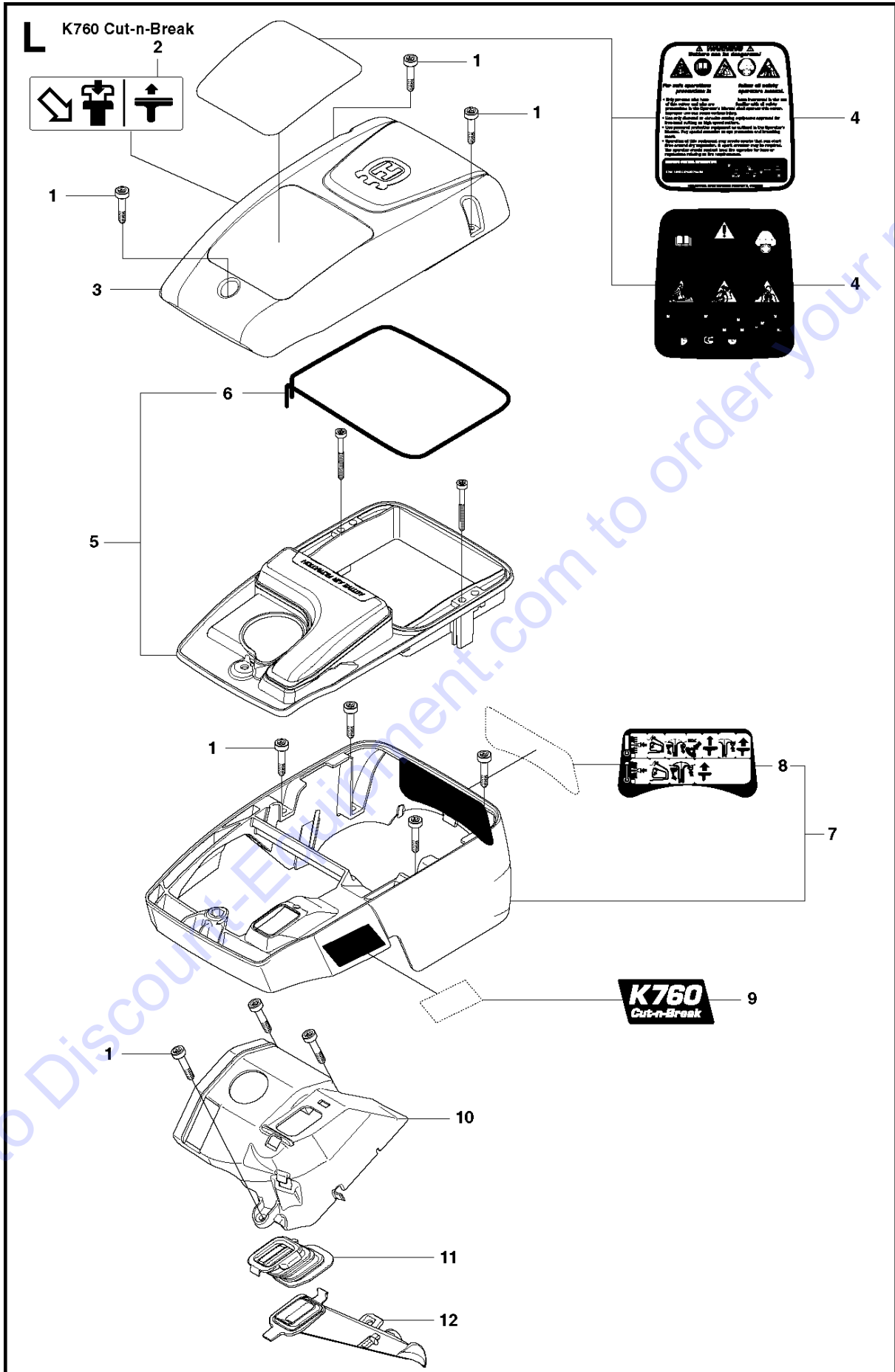
Go to DiscountEquipment.com to order your parts

## IGNITION SYSTEM

K760 CUT-N-BREAK, 2009-11

Ref	Part No	Description	Remark	QTY KIT
1	503 21 28-10	SCREW CCRPANT		2
2	506 31 86-02	STOP SWITCH		1
3	506 37 84-02	CABLE		1
4	503 23 51-11	SPARK PLUG	RCJ 6 Y	1
5	510 11 56-02	IGNITION MODULE	Incl. 6 - 8	1
6	501 48 54-02	SPARK PLUG CAP		1
7	506 38 78-34	IGNITION CABLE		1
8	505 27 75-16	ISOLERHATT		1
9	503 21 53-20	SCREW ITXSCM		2
10	506 37 85-01	CABLE		1
11	503 23 01-01	WASHER		1
12	503 22 10-11	HEXAGON NUT		1
13	501 37 56-04	FLYWHEEL	Incl. 14 - 17	1
14	503 23 00-42	WASHER		2
15	501 63 48-01	SPRING		2
16	501 67 32-03	PAWL		2
17	506 00 69-01	SCREW		2

Go to Discount-Equipment.com to order your parts



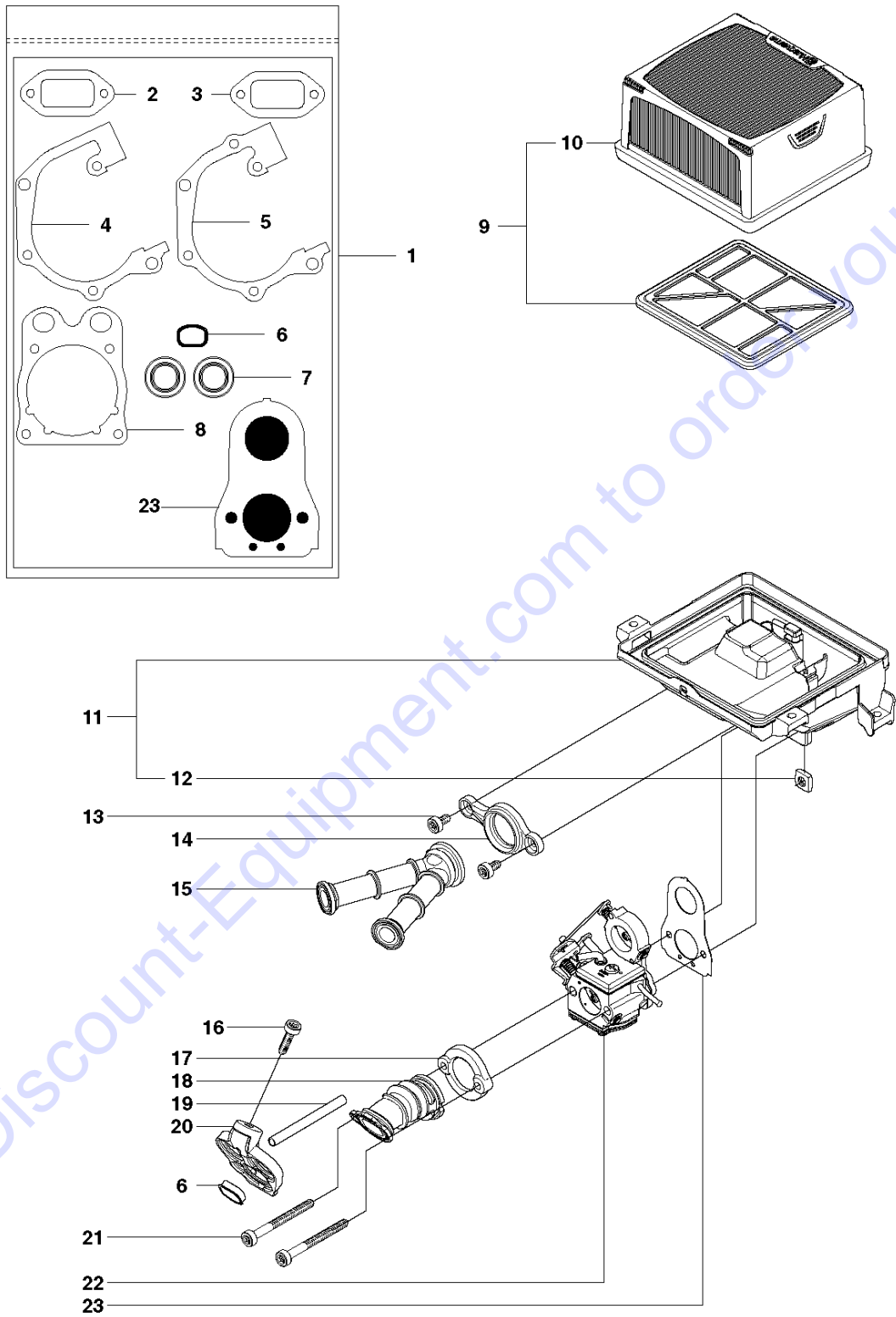
## CYLINDER COVER

K760 CUT-N-BREAK, 2009-11

Ref	Part No	Description	Remark	QTY KIT
1	503 21 53-21	SCREW ITXSCM		10
2	525 76 35-02	DECAL		1
3	525 44 43-01	FILTER COVER		1
4	574 23 14-01	DECAL	EPA USA	1
4	574 23 14-02	DECAL	CE, EPA Canada	1
5	574 36 21-01	FILTER HOLDER ASSY	Incl. 6	1
6	525 61 70-02	SEALING		1
7	506 39 84-05	CYLINDER COVER ASSY	Incl. 8	1
8	544 89 09-02	LABEL		1
9	574 23 16-01	DECAL		1
9	574 23 16-02	DECAL	Rescue	1
9	574 23 16-03	DECAL	Oil Guard	1
10	506 37 02-01	COVER		1
11	506 37 04-01	BELLOWS		1
12	525 58 43-01	AIR NOZZLE		1

Go to [Discount-Equipment.com](http://Discount-Equipment.com) to order your parts

**M** K760 Cut-n-Break



## AIR FILTER

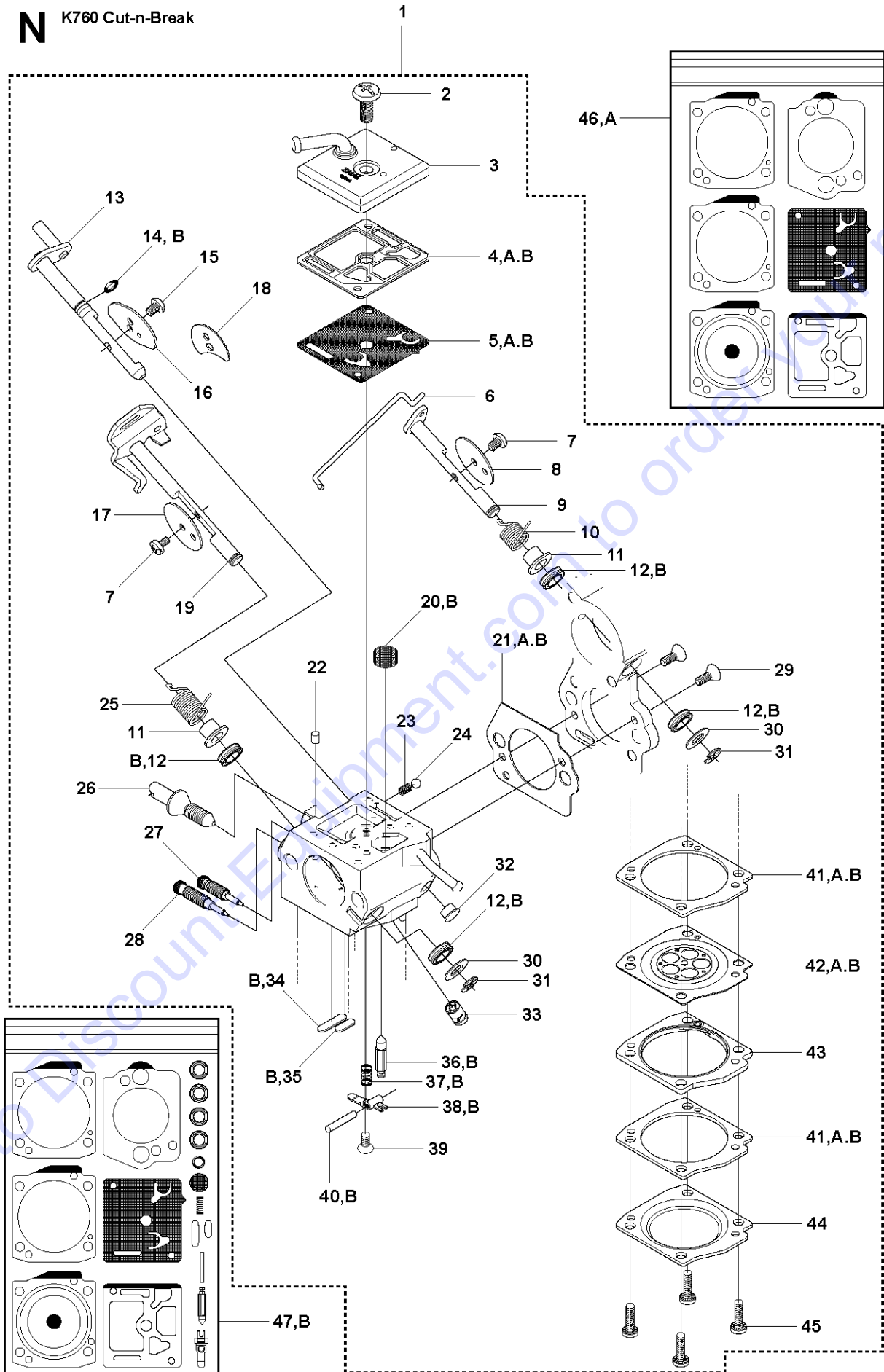
K760 CUT-N-BREAK, 2009-11

Ref	Part No	Description	Remark	QTY KIT
1	506 38 53-05	GASKET KIT	Incl. 2 - 8, 23	1
2	506 41 23-01	GASKET		1
3	506 37 69-02	GASKET		1
4	506 37 70-02	GASKET		1
5	506 37 70-03	GASKET		1
6	544 21 93-02	INSERT		1
7	503 26 02-04	SEALING RING		2
8	506 37 67-01	CYLINDER		1
9	574 36 23-01	AIR FILTER ASSY	Incl. 10	1
10	525 47 06-01	AIR FILTER ASSY		1
11	575 35 40-01	CARBURETTOR BRACKET	Incl. 12	1
12	503 22 65-04	SQUARE NUT		4
13	503 21 53-10	SCREW ITXSCM		2
14	506 37 06-01	FLANGE INLET PIPE		1
15	506 36 98-01	INLET PIPE		1
16	503 21 53-20	SCREW ITXSCM		1
17	506 37 05-01	FLANGE INLET PIPE		1
18	506 36 97-01	INLET PIPE		1
19	503 40 06-09	IMPULSE HOSE		1
20	544 35 26-01	PLATE		1
21	503 21 53-56	SCREW ITXSCM		2
22	510 18 12-02	CARBURETTOR	Zama C3-EL43A	1
23	506 37 68-03	GASKET		1

Go to Discount-Equipment.com to order your parts



**N** K760 Cut-n-Break



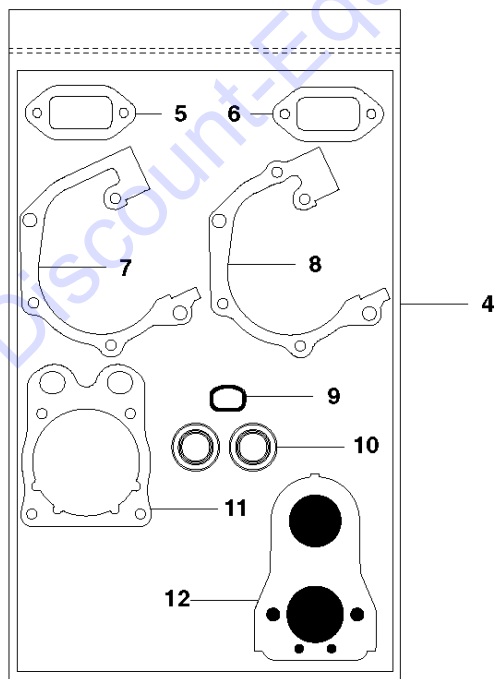
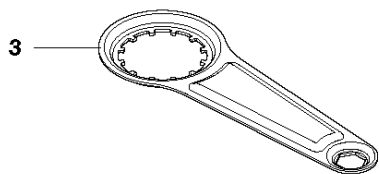
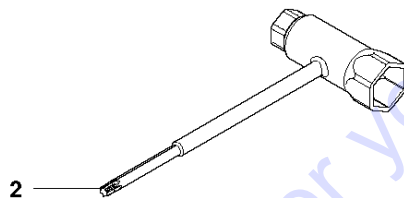
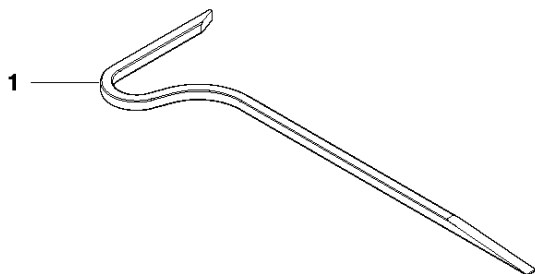
## CARBURETOR

K760 CUT-N-BREAK, 2009-11

Ref	Part No	Description	Remark	QTY KIT
1	510 18 12-02	CARBURETTOR	Zama C3-EL43A, Incl. 2 - 43	1
2	503 47 96-01	SCREW		1
3	544 83 64-01	PUMP COVER		1
4	503 61 66-01	GASKET		1
5	506 39 60-01	DIAPHRAGM PUMP		1
6	506 39 65-01	ROD		1
7	544 08 22-01	SCREW		2
9	506 39 71-01	SHAFT ASSY		1
10	506 39 75-01	SPRING		1
11	506 39 54-01	COLLAR		2
12	506 39 64-01	QUAD RING		4
13	506 39 73-01	SHAFT ASSY		1
14	506 39 90-01	O-RING		1
15	503 48 18-01	SCREW		1
16	506 39 78-01	VALVE		1
17	537 17 70-01	VALVE		1
18	522 60 75-01	CHOKE VALVE	Japan only	1
19	506 39 74-01	SHAFT ASSY		1
20	503 53 57-01	STRAINER		1
21	506 39 58-01	GASKET		1
22	503 48 11-01	PIECE		1
23	537 01 26-01	SPRING		1
24	537 01 25-01	BALL		1
25	544 83 65-01	SPRING		1
26	506 39 72-01	SCREW		1
27	506 39 70-01	SCREW		1
28	506 39 69-01	SCREW		1
29	537 38 51-01	SCREW		2
30	506 39 79-01	WASHER		2
31	537 38 52-01	CLIP		2
32	506 39 91-01	PLUG		1
33	506 39 61-01	NOZZLE ASSY		1
34	503 53 56-01	PLUG WELCH		1
35	537 17 78-01	PLUG		1
36	537 17 62-01	VALVE		1
37	575 44 13-01	SPRING		1
38	537 17 64-01	LEVER		1
39	544 08 21-01	SCREW		1
40	503 48 00-01	PIN RETAINING SCREW		1
41	506 39 62-01	GASKET		2
42	506 39 57-01	DIAPHRAGM ASSY		1
43	506 39 55-01	COVER		1
44	506 39 56-01	COVER		1
45	506 39 66-01	SCREW		4
46	506 40 99-01	GASKET KIT	Incl. 4-5, 21, 41, 42	1
47	506 41 00-03	GASKET KIT	Incl. 4-5, 12, 14, 20, 21, 34-38, 40-42	1

Go to Discounted Equipment.com to order your parts

**P** K760 Cut-n-Break  
Accessories



Go to DiscountEquipment.com to order your parts

## ACCESSORIES

K760 CUT-N-BREAK, 2009-11

Ref	Part No	Description	Remark	QTY KIT
1	544 17 80-02	TOOL		1
2	506 38 26-01	TOOL		1
3	544 17 81-01	PULLER		1
4	506 38 53-05	GASKET KIT	Incl. 5 - 12	1
5	506 41 23-01	GASKET		1
6	506 37 69-02	GASKET		1
7	506 37 70-02	GASKET		1
8	506 37 70-03	GASKET		1
9	544 21 93-02	INSERT		1
10	503 26 02-04	SEALING RING		2
11	506 37 67-01	CYLINDER		1
12	506 37 68-03	GASKET		1

Go to [Discount-Equipment.com](http://Discount-Equipment.com) to order your parts

# PARTS FINDER

**Search Website  
by Part Number**



**Search Manual  
Library For Parts  
Manual & Lookup Part  
Numbers – Purchase  
or Request Quote**

**Can't Find Part or  
Manual? Request Help  
by Manufacturer,  
Model & Description**

Discount-Equipment.com is your online resource for quality parts & equipment.

Florida: **561-964-4949** Outside Florida TOLL FREE: **877-690-3101**

**Need parts?**

Click on this link: <http://www.discount-equipment.com/category/5443-parts/> and choose one of the options to help get the right parts and equipment you are looking for. Please have the machine model and serial number available in order to help us get you the correct parts. If you don't find the part on the website or on one of the online manuals, please fill out the request form and one of our experienced staff members will get back to you with a quote for the right part that your machine needs.

We sell worldwide for the brands: Genie, Terex, JLG, MultiQuip, Mikasa, Essick, Whiteman, Mayco, Toro Stone, Diamond Products, Generac Magnum, Airman, Haulotte, Barreto, Power Blanket, Nifty Lift, Atlas Copco, Chicago Pneumatic, Allmand, Miller Curber, Skyjack, Lull, Skytrak, Tsurumi, Husquvarna Target, Stow, Wacker, Sakai, Mi-T-M, Sullair, Basic, Dynapac, MBW, Weber, Bartell, Bennar Newman, Haulotte, Ditch Runner, Menegotti, Morrison, Contec, Buddy, Crown, Edco, Wyco, Bomag, Laymor, EZ Trench, Bil-Jax, F.S. Curtis, Gehl Pavers, Heli, Honda, ICS/PowerGrit, IHI, Partner, Imer, Clipper, MMD, Koshin, Rice, CH&E, General Equipment, Amida, Coleman, NAC, Gradall, Square Shooter, Kent, Stanley, Tamco, Toku, Hatz, Kohler, Robin, Wisconsin, Northrock, Oztec, Toker TK, Rol-Air, APT, Wylie, Ingersoll Rand / Doosan, Innovatech, Con X, Ammann, Mecalac, Makinex, Smith Surface Prep, Small Line, Wanco, Yanmar