



SPARE PARTS LIST

TROWELS

CRT48-37V PS, 970461606, 2020-02

Go to Discount-Equipment.com to order your parts



PARTS FINDER

**Search Website
by Part Number**



**Search Manual
Library For Parts
Manual & Lookup Part
Numbers – Purchase
or Request Quote**

Search Manuals

Enter your information to help us find the right parts manual for your machine.

* Brand:

* Model:

* Serial:

* Part Number:

SEARCH

**Can't Find Part or
Manual? Request Help
by Manufacturer,
Model & Description**

Parts Order Form

Please fill in the following information to help us find the right part for your machine.

Manufacturer:	<input type="text"/>
Model:	<input type="text"/>
Description:	<input type="text"/>
Part Number:	<input type="text"/>
Quantity:	<input type="text"/>
Notes:	<input type="text"/>

Discount-Equipment.com is your online resource for quality parts & equipment.

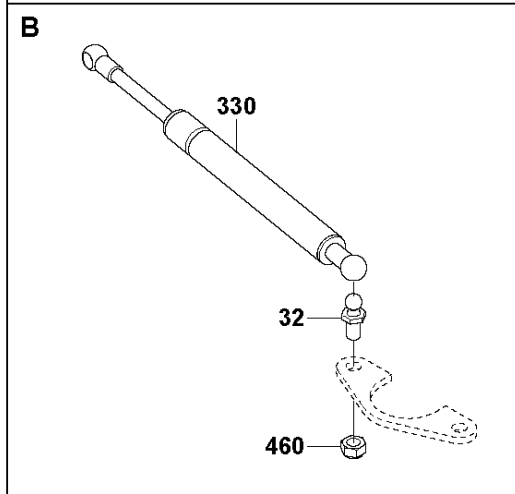
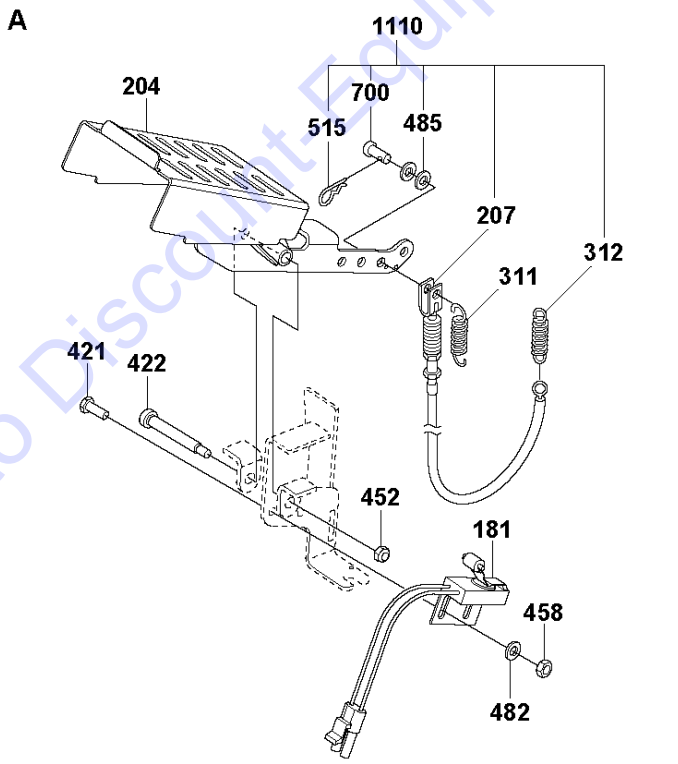
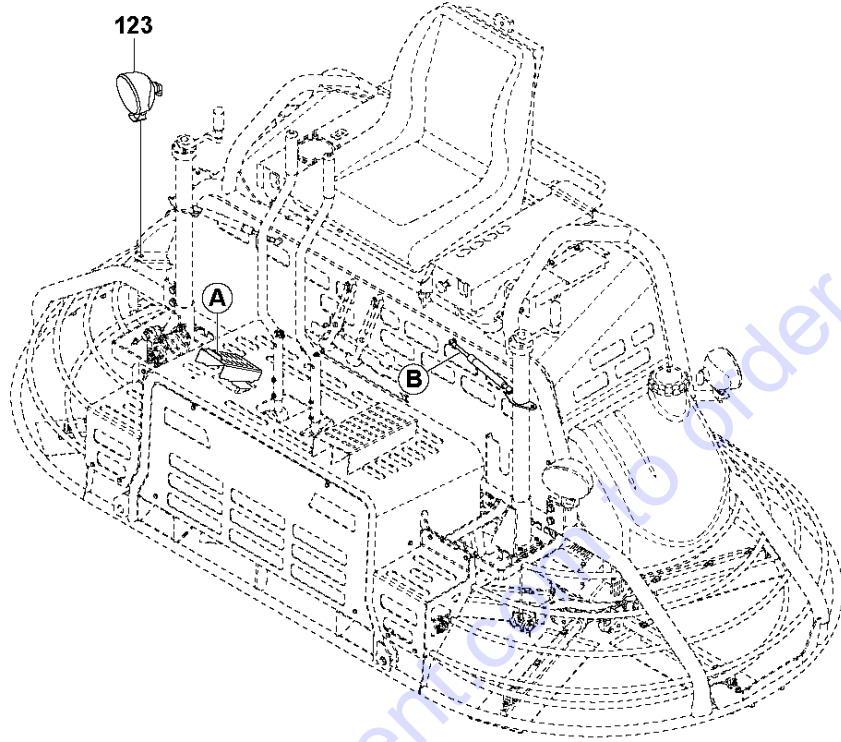
Florida: **561-964-4949** Outside Florida TOLL FREE: **877-690-3101**

Need parts?

Click on this link: <http://www.discount-equipment.com/category/5443-parts/> and choose one of the options to help get the right parts and equipment you are looking for. Please have the machine model and serial number available in order to help us get you the correct parts. If you don't find the part on the website or on one of the online manuals, please fill out the request form and one of our experienced staff members will get back to you with a quote for the right part that your machine needs.

We sell worldwide for the brands: Genie, Terex, JLG, MultiQuip, Mikasa, Essick, Whiteman, Mayco, Toro Stone, Diamond Products, Generac Magnum, Airman, Haulotte, Barreto, Power Blanket, Nifty Lift, Atlas Copco, Chicago Pneumatic, Allmand, Miller Curber, Skyjack, Lull, Skytrak, Tsurumi, Husquvarna Target, Stow, Wacker, Sakai, Mi-T-M, Sullair, Basic, Dynapac, MBW, Weber, Bartell, Bennar Newman, Haulotte, Ditch Runner, Menegotti, Morrison, Contec, Buddy, Crown, Edco, Wyco, Bomag, Laymor, EZ Trench, Bil-Jax, F.S. Curtis, Gehl Pavers, Heli, Honda, ICS/PowerGrit, IHI, Partner, Imer, Clipper, MMD, Koshin, Rice, CH&E, General Equipment, Amida, Coleman, NAC, Gradall, Square Shooter, Kent, Stanley, Tamco, Toku, Hatz, Kohler, Robin, Wisconsin, Northrock, Oztec, Toker TK, Rol-Air, APT, Wylie, Ingersoll Rand / Doosan, Innovatech, Con X, Ammann, Mecalac, Makinex, Smith Surface Prep, Small Line, Wanco, Yanmar

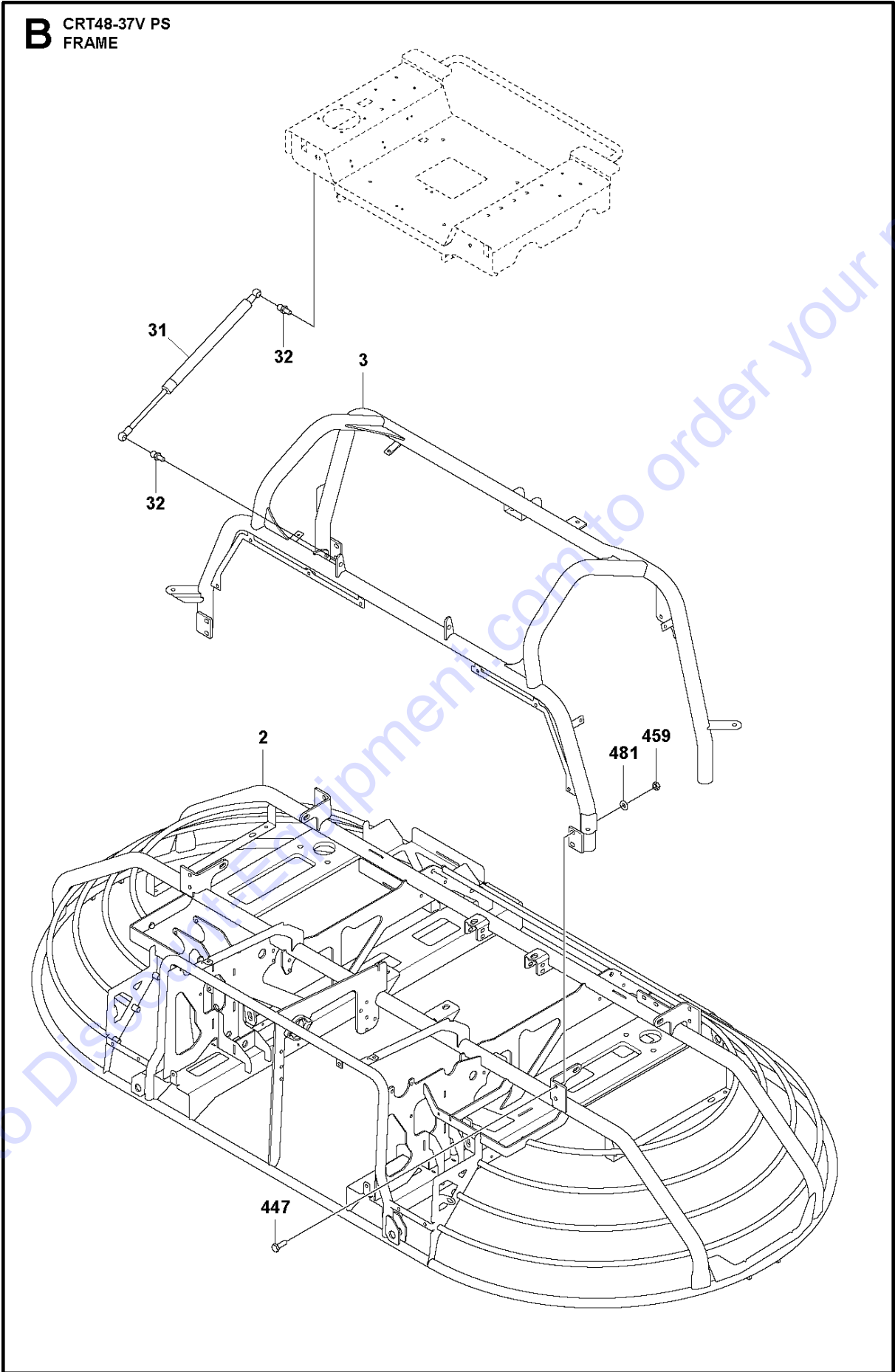
A CRT48-37V PS
LIGHTS, PEDAL & SPRING ASSY



Ref	Part No	Description	Remark	QTY	KIT
32	599 16 87-01	STUD	M8x10	4	
123	599 07 69-01	LIGHT		4	
181	598 99 46-01	SWITCH		1	
204	599 03 56-01	LEVER		1	
207	599 07 61-01	CABLE	Throttle cable	1	1110
311	599 17 19-01	SPRING		1	
312	599 11 06-01	SPRING		1	1110
330	599 04 85-01	CYLINDER		2	
421	725 23 29-71	SCREW EHHM	M5x16 ISO4017 8.8 ZPB, 6Nm/4ft.lbs	2	
422	599 17 18-01	SCREW	M6x50	1	
452	531 20 84-91	NUT	M6 ISO10511	1	
458	732 21 14-01	LOCK NUT	M5 ISO10512	2	
460	576 64 57-04	NUT FLANGE	M8	4	
482	734 11 46-01	WASHER	M5 ISO7089 200HV ZPB	2	
485	734 11 63-01	WASHER	M8 ISO7089 200HV ZPB	2	1110
515	599 16 35-01	PIN	Cotter pin 1-3/16"x0,073"	1	1110
700	599 07 60-01	PIVOT		1	1110
1110	599 50 66-01	THROTTLE CABLE	Throttle cable cpl.	1	

Go to Discount-Equipment.com to order your parts

B CRT48-37V PS
FRAME



FRAME

CRT48-37V PS, 970461606, 2020-02

Ref	Part No	Description	Remark	QTY KIT
2	599 01 92-01	FRAME	Lower frame	1
3	599 12 25-01	FRAME	Upper frame	1
31	599 03 31-01	CYLINDER		1
32	599 16 87-01	STUD	M8x10	2
447	725 24 95-71	SCREW EHHM	M10x30 ISO4017 8.8 ZPB, 49Nm/36ft.lbs	8
459	732 21 20-51	NUT	M10 ISO7042	8
481	734 11 72-01	WASHER	M10 ISO7089 200HV ZPB	8

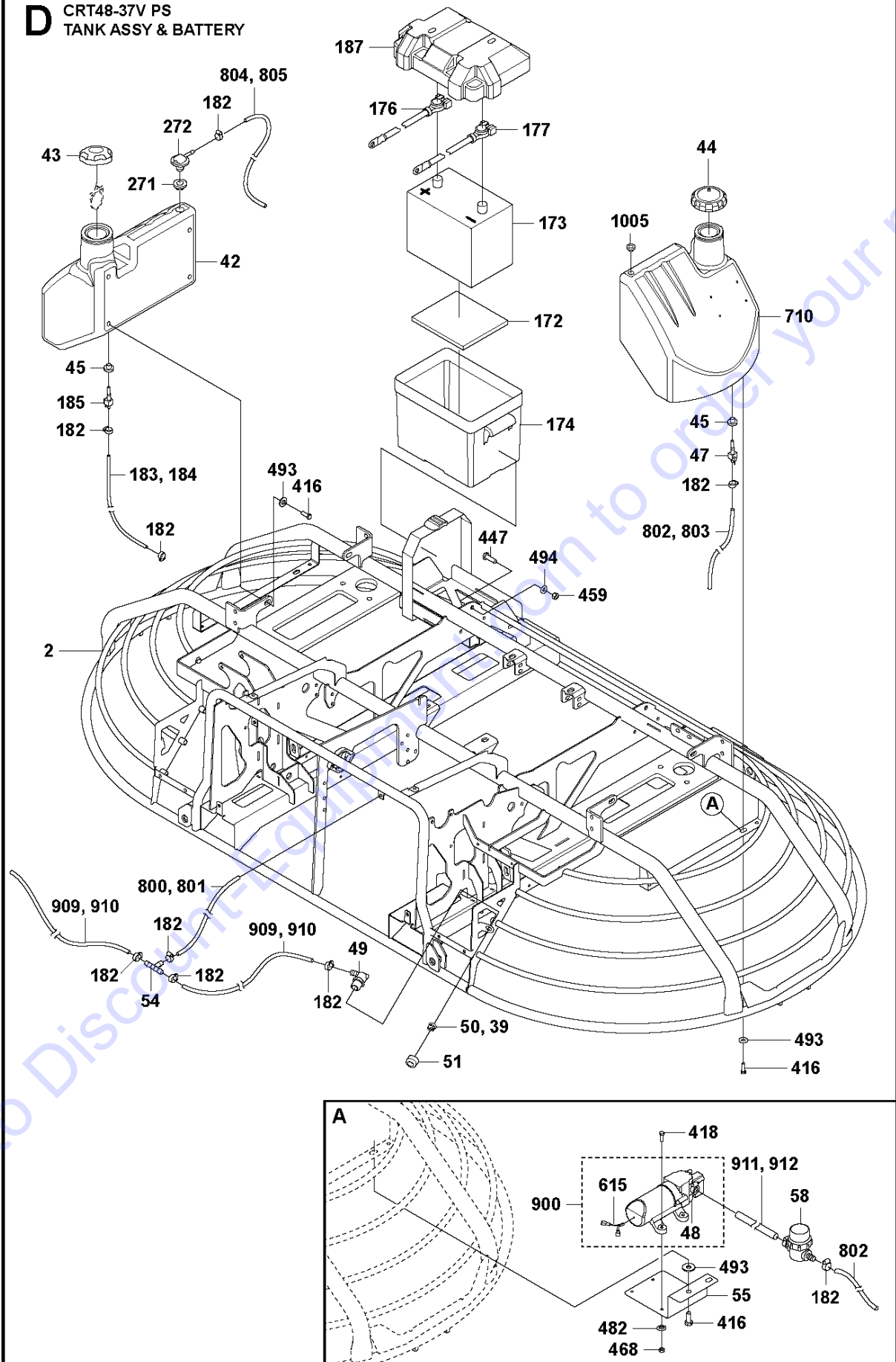
Go to Discount-Equipment.com to order your parts

SEAT ASSY

CRT48-37V PS, 970461606, 2020-02

Ref	Part No	Description	Remark	QTY KIT
11	599 10 41-01	SEAT		1
18	599 05 17-01	HOUSING		2
20	599 04 09-01	BRACKET		1
21	599 02 69-01	SWITCH	Seat switch	1
22	599 02 64-01	BRACKET		1
29	599 05 32-01	PLATE		1
30	598 98 85-01	HOLDER		1
32	599 16 87-01	STUD	M8x10	5
33	599 03 94-01	JOYSTICK	Dual axis joystick	1
34	599 03 95-01	JOYSTICK	Single axis joystick	1
37	599 01 64-01	SPRING	90 lb	2
38	599 06 11-01	PLATE		1
65	598 99 29-01	INSERT		1
66	599 05 27-01	BRACKET		1
67	599 06 09-01	BRACKET		1
68	599 06 10-01	BRACKET		1
70	599 05 33-01	BRACKET		1
128	599 05 04-01	WIRING		1
130	599 07 08-01	SWITCH	Light switch	1
131	599 01 28-01	SWITCH		1
132	599 04 80-01	PLUG		1
133	598 99 43-01	HOUR METER	Hour meter	1
137	599 04 44-01	LIGHT		4
220	598 99 73-01	SWITCH		1
401	599 17 39-01	SCREW	M4x20	8
406	585 98 06-01	SCREW EHHFM	M6x16 ISO1665 8.8 ZPB, 9Nm/7ft.lbs	8
407	725 23 70-71	SCREW EHHM	M6x16 ISO1665 8.8 ZPB, 9Nm/7ft.lbs	8
415	725 54 49-01	SCREW IHSCM	M8x16 ISO4762 8.8 ZPB, 22Nm/16ft.lbs	4
442	599 16 91-01	SCREW	#10X3/4, TYP B, SLT FLG HX	4
452	531 20 84-91	NUT	M6 ISO10511	4
454	522 91 94-01	LOCK NUT	M8 ISO10511	4
460	576 64 57-04	NUT FLANGE	M8	9
464	599 16 03-01	NUT	M8 ISO4035	4
465	502 04 55-01	NUT	1/4"-20"	2
468	599 15 98-01	LOCK NUT	M4, 3Nm/2ft.lbs (S3)	8
470	599 16 68-01	LOCK NUT	M6	8
474	599 06 20-01	LATCH		1
483	599 16 02-01	WASHER		4
487	734 11 36-01	WASHER		8
489	599 16 07-01	WASHER	M12 ISO7093 ZPB	4
491	734 11 78-01	WASHER	M12 ISO7089 200HV ZPB	6
499	598 98 97-01	BUMPER	30x15	4
503	599 05 31-01	BUMPER		2
520	599 17 33-01	PIN	Clevis pin 1/2"x1"	6
609	599 16 79-01	RIVET	Rivet	4
620	599 05 45-01	GROMMET		2
725	599 16 01-01	PIN	Cotter pin 3,2x25 ISO1234	6
997	599 16 42-01	KEY	Key-ring w/o keys	1
14	599 04 52-01	PLATE		1
287	599 04 80-01	PLUG		1
453	593 35 64-01	NUT		8

D CRT48-37V PS
TANK ASSY & BATTERY

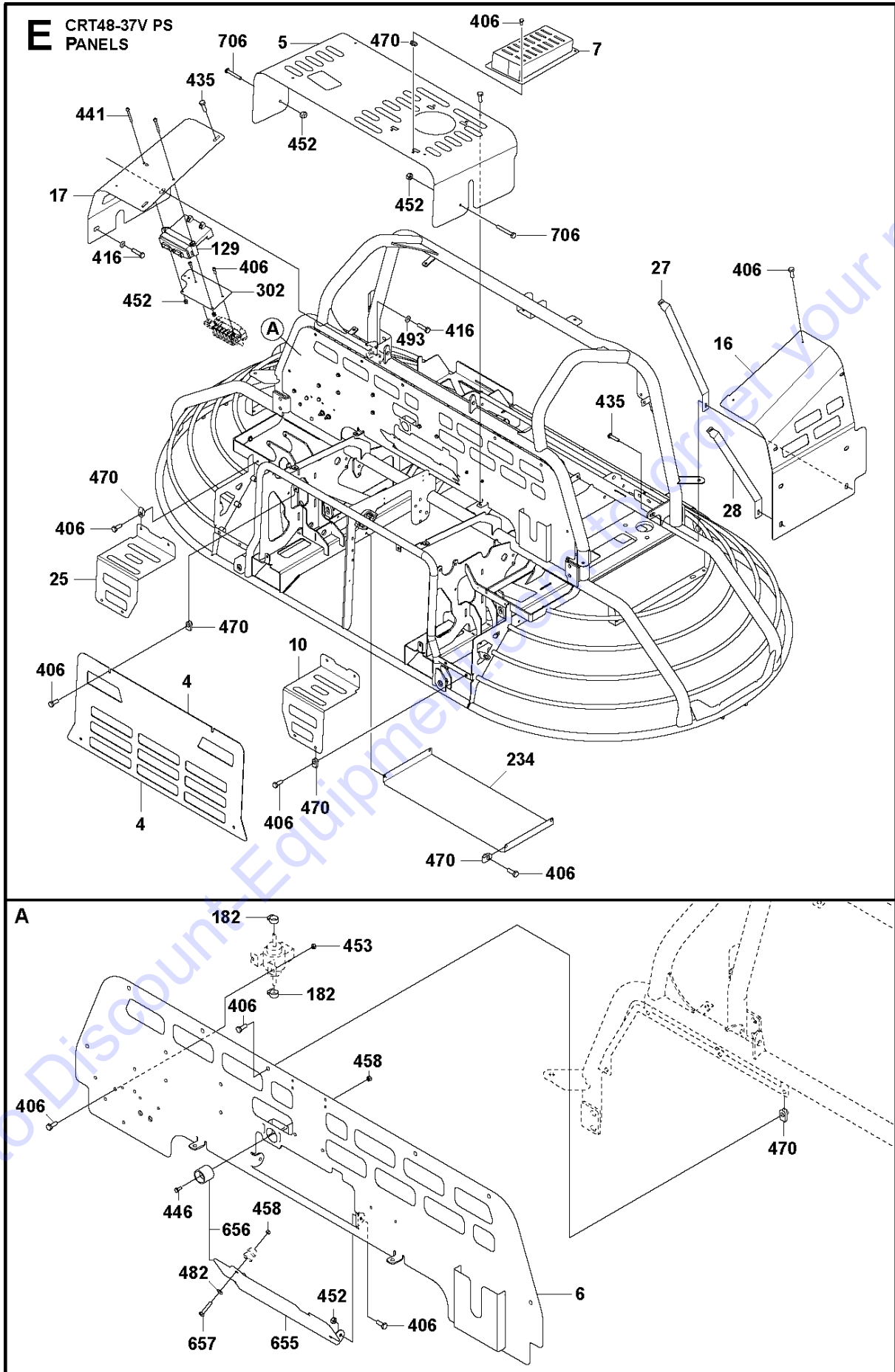


TANK ASSY & BATTERY

CRT48-37V PS, 970461606, 2020-02

Ref	Part No	Description	Remark	QTY	KIT
2	599 01 92-01	FRAME		1	
39	598 99 88-01	VALVE		1	
42	599 13 13-02	TANK		1	
43	599 07 09-01	CAP		1	
44	599 03 02-01	CAP		1	
45	598 99 04-01	BUSHING		2	
47	599 06 17-01	VALVE		1	
48	599 06 16-01	PUMP		1	900
49	598 99 39-01	ELBOW		2	
50	598 99 40-01	JET		2	
51	598 99 41-01	FITTING		2	
54	599 16 90-01	FITTING		1	
55	599 06 15-01	BRACKET		1	
58	599 06 18-01	SCREEN		1	
172	598 98 80-01	PAD		1	
173	599 00 15-01	BATTERY		1	
174	598 99 99-01	BOX		1	
176	599 12 48-01	CABLE	61"	1	
177	599 03 62-01	CABLE	16"	1	
182	599 16 17-01	CLAMP	0,21"-0,63"	12	
183	599 46 37-03	FUEL HOSE	55"	1	
184	599 46 56-05	LOOM	53"	1	
185	599 00 05-01	VALVE		1	
187	599 00 33-01	CAP		1	
271	599 06 88-01	GROMMET		1	
272	599 06 87-01	VENT		1	
416	725 24 51-01	SCREW	8x20 hx.hd. 24Nm/18ft.lbs	3	
418	725 22 95-71	SCREW EHHM	M4x20, 3Nm/2ft.lbs	4	
447	725 24 95-71	SCREW EHHM		1	
459	576 64 57-05	NUT FLANGE	M10	1	
468	599 15 98-01	LOCK NUT	M4, 3Nm/2ft.lbs (S3)	4	
482	734 11 46-01	WASHER	M5 ISO7089 200HV ZPB	4	
493	734 11 65-41	WASHER	M8 ISO7093 ZPB	3	
494	599 16 75-01	LOCKWASHER	M10	1	
615	599 16 65-01	TERMINAL		2	900
710	599 13 12-02	TANK		1	
800	599 46 55-04	HOSE	70"	1	
801	599 46 56-06	LOOM	68"	1	
802	599 46 55-01	HOSE	3,5"	1	
803	599 46 56-03	LOOM	30"	1	
804	599 46 37-02	FUEL HOSE	45"	1	
805	599 46 56-04	LOOM	43"	1	
900	599 46 31-01	WATER PUMP KIT	Water pump kit	1	
909	599 46 55-03	HOSE	24.5"	2	
910	599 46 56-02	LOOM	23,5"	2	
911	599 46 55-02	HOSE	5"	1	
912	599 46 56-01	LOOM	3"	1	
1005	599 07 10-01	PLUG		1	

Go to DisruptiveEquipment.com to order your parts



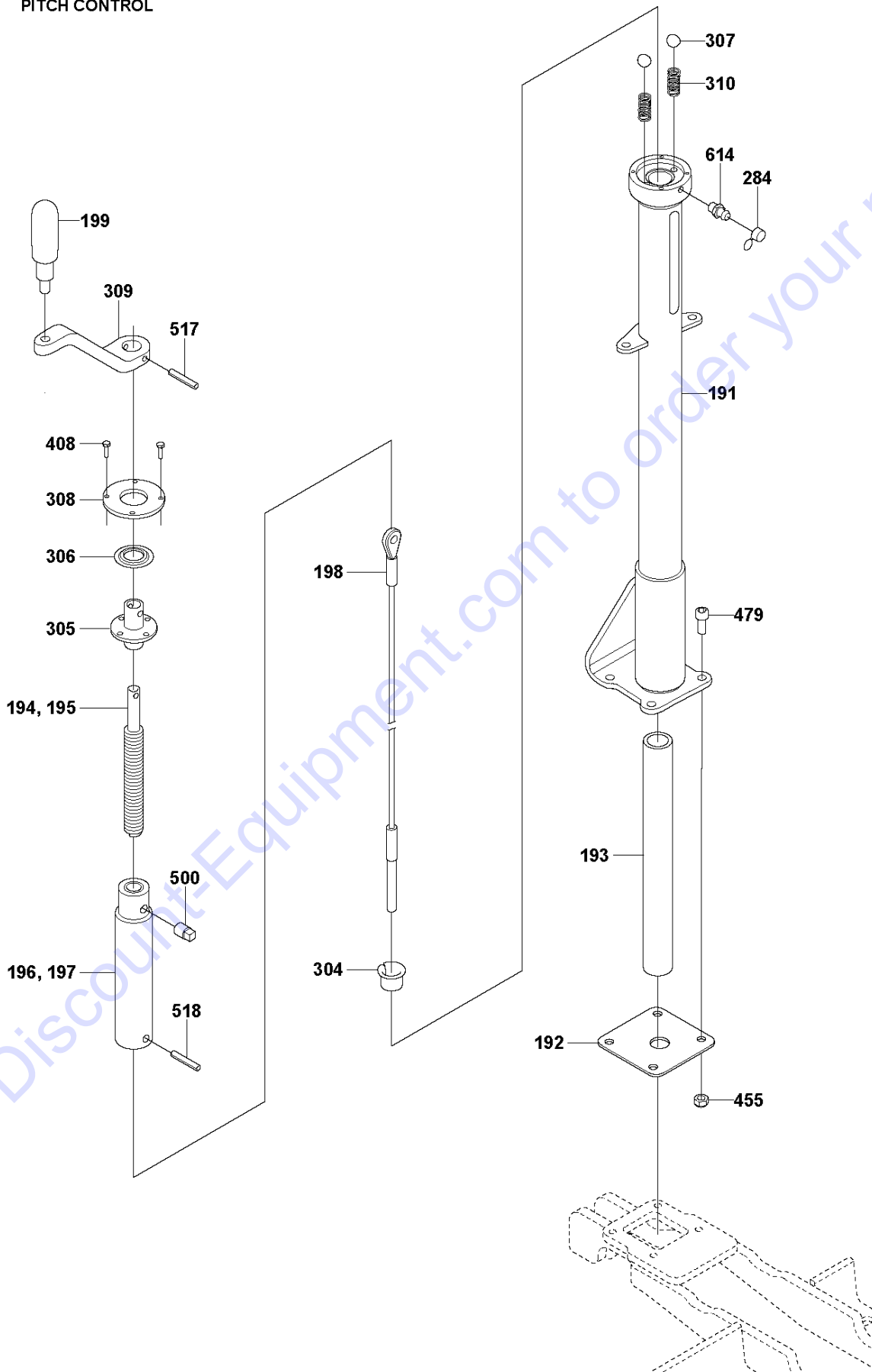
PANELS

CRT48-37V PS, 970461606, 2020-02

Ref	Part No	Description	Remark	QTY KIT
4	599 13 01-02	PLATE		1
5	599 03 04-01	PLATE		1
6	599 13 07-02	PANEL ASSY		1
7	599 05 41-01	BRACKET		1
10	599 02 18-01	PLATE		1
16	599 12 22-01	PANEL		1
17	599 12 21-01	PANEL		1
25	599 03 33-01	PLATE		1
27	599 12 57-01	STRUT		1
28	599 07 42-01	STRUT		1
129	599 05 05-01	ELECTRICAL SYSTEM		1
182	599 16 17-01	CLAMP	0,21"-0,63"	2
234	599 03 23-01	GUARD		1
302	599 12 06-01	PLATE		1
416	725 24 51-01	SCREW	8x20 hx.hd. 24Nm/18ft.lbs	4
435	506 57 01-03	SCREW EHHFM	M8x16 ISO1665 8.8 ZPB, 25Nm/18ft.lbs	2
441	599 16 37-01	SCREW	M6x60	2
446	725 23 27-71	SCREW EHHM	M5x12 ISO4017 8.8 ZPB, 6Nm/4ft.lbs	1
452	531 20 84-91	NUT	M6 ISO10511	6
453	593 35 64-01	NUT	M6	12
458	732 21 14-01	LOCK NUT	M5 ISO10512	2
470	599 16 68-01	LOCK NUT	M6	17
482	734 11 46-01	WASHER	M5 ISO7089 200HV ZPB	1
493	734 11 65-41	WASHER	M8 ISO7093 ZPB	4
655	599 13 11-02	COVER		1
656	599 07 06-01	LATCH		1
657	593 16 74-01	SCREW	M5x25 ISO4017 8.8 ZPB, 6Nm/4ft.lbs	1
406	585 98 06-01	SCREW EHHFM	M6x16 ISO1665 8.8 ZPB, 9Nm/7ft.lbs	32
706	725 23 80-51	SCREW EHHM		2

Go to Discount-Equipment.com to order your parts

F CRT48-37V PS
PITCH CONTROL



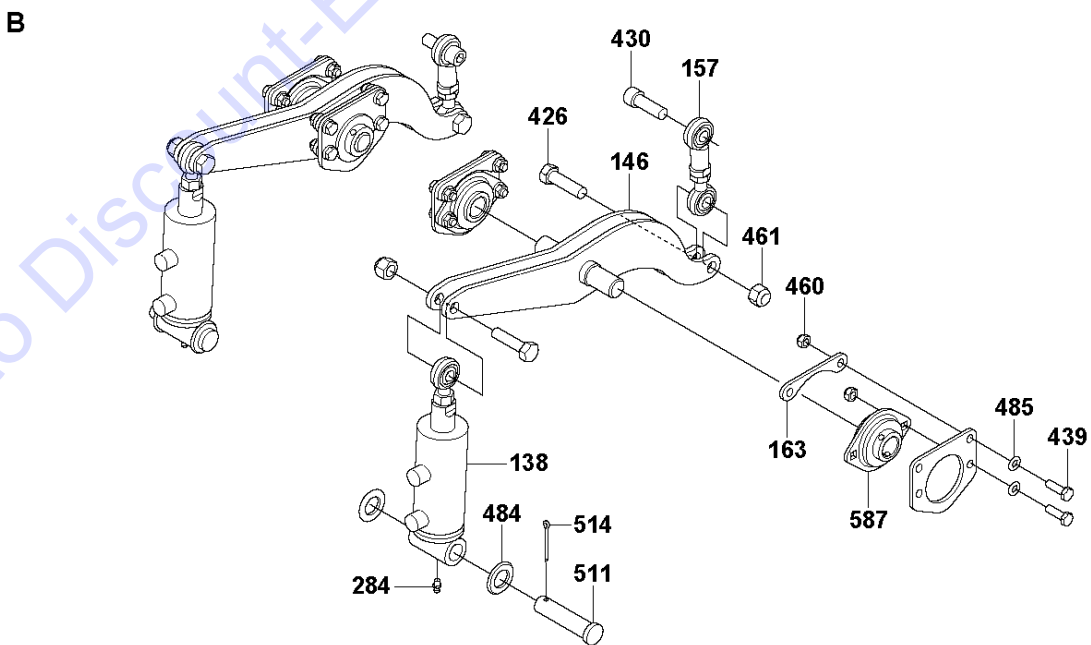
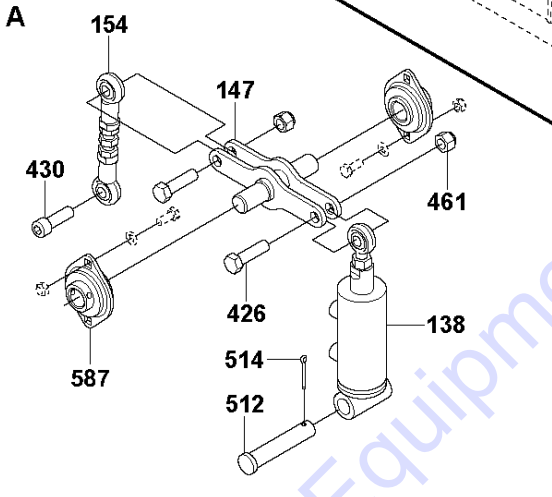
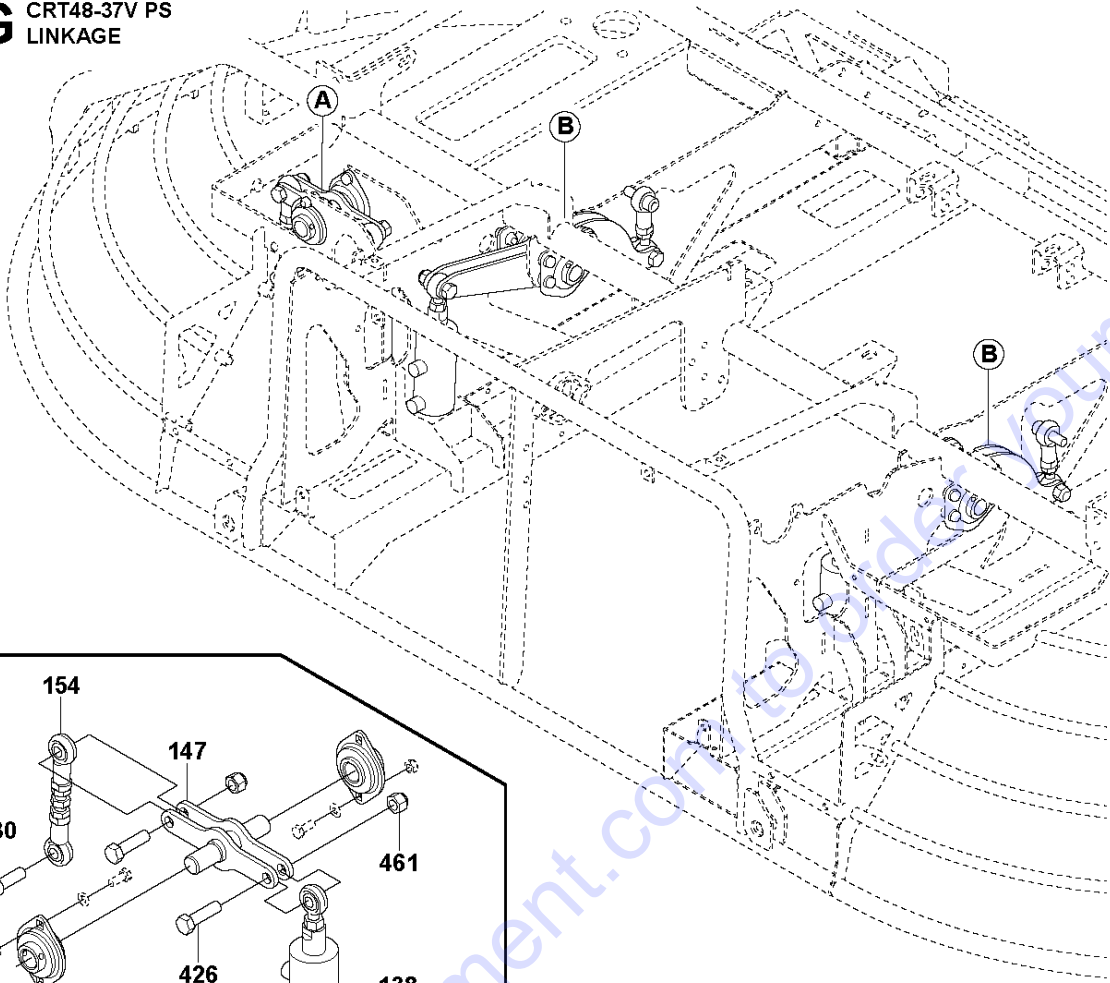
PITCH CONTROL

CRT48-37V PS, 970461606, 2020-02

Ref	Part No	Description	Remark	QTY KIT
191	599 00 42-01	TUBE		1
192	599 06 24-01	PLATE		1
193	599 06 25-01	TUBE		1
194	599 16 94-01	ROD	Right hand thread	1
195	599 16 95-01	ROD	Left hand thread	1
196	599 00 46-01	TUBE	Right hand thread	1
197	599 00 47-01	TUBE	Left hand thread	1
198	599 00 48-01	CABLE	Pitch cable	1
199	599 00 51-01	HANDLE	Handle, 24Nm/18ft.lbs	1
284	599 16 92-01	CAP	Cap	1
304	599 00 43-01	BUSHING		1
305	599 00 44-01	HUB		1
306	599 16 93-01	RING	Nilos ring	1
307	599 16 96-01	BALL		2
308	599 00 49-01	PLATE		1
309	599 04 74-01	CRANK		1
310	599 00 41-01	SPRING		2
408	599 16 82-01	SCREW	M4x14 ISO4017 8.8 ZPB, 3Nm/2ft.lbs	4
455	596 04 03-01	LOCK NUT	5/16"-24"	1
479	725 54 51-01	SCREW IHSCM	M8x20 ISO4762 8.8 ZPB, 22Nm/16ft.lbs	4
500	599 17 31-01	PIPE	Pipe plug 1/8" sq.hd. plated"	1
517	599 16 33-01	PIN	1/4"x1-1/2"	1
518	599 16 00-01	PIN	Roll pin 8x36 ISO8752	1
614	599 17 66-01	FITTING	Grease fitting AM6 DIN71412	1

Go to Discount-Equipment.com to order your parts

G CRT48-37V PS
LINKAGE



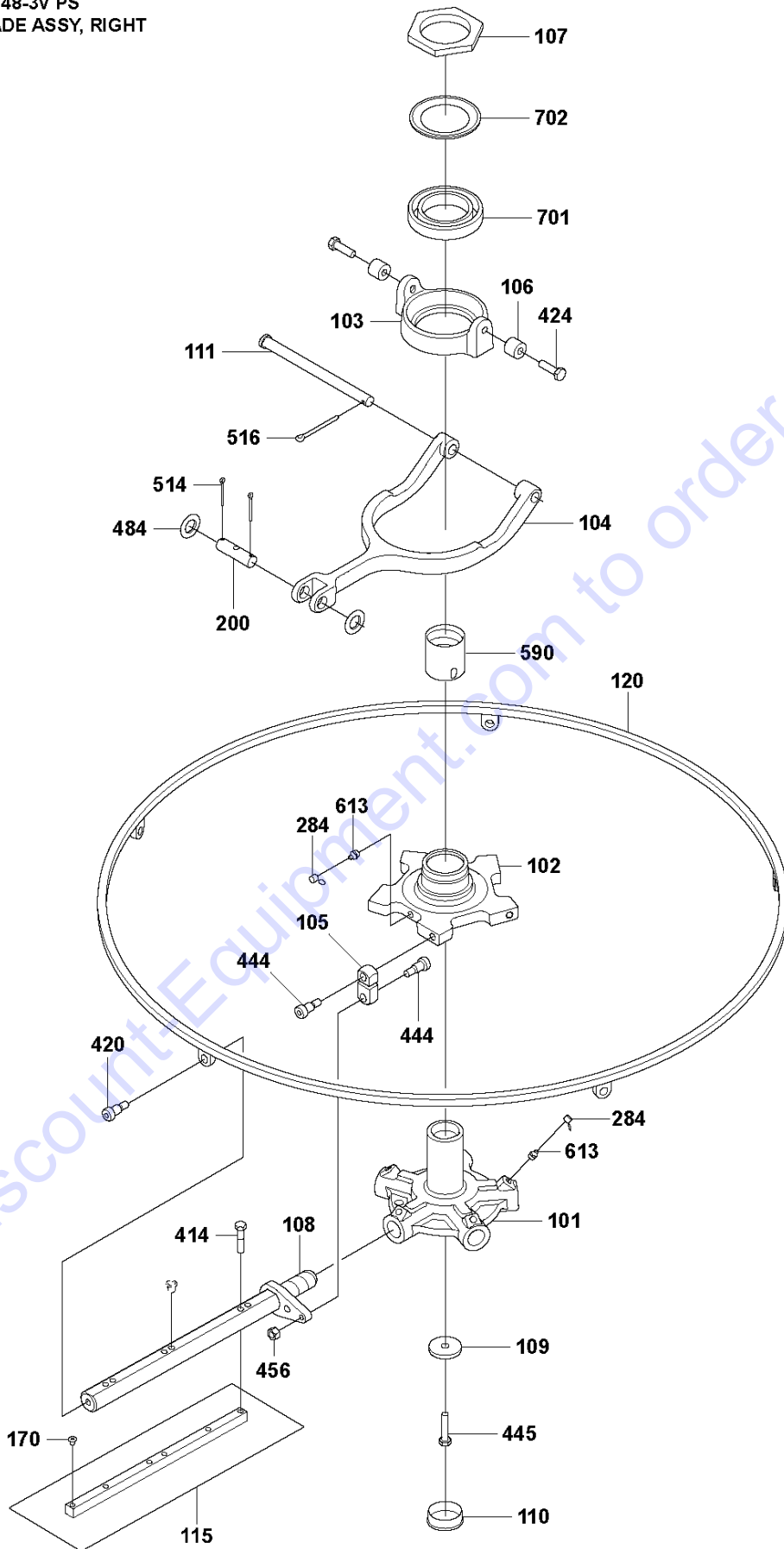
LINKAGE

CRT48-37V PS, 970461606, 2020-02

Ref	Part No	Description	Remark	QTY KIT
138	599 05 06-01	ACTUATOR		3
146	599 05 24-01	BRACKET		2
147	599 05 10-01	BRACKET		1
154	599 01 60-01	LINK		1
157	599 03 84-01	LINK		2
163	599 05 48-01	SPACER		4
284	599 16 92-01	CAP		3
426	599 17 25-01	SCREW	1/2"-20x1-3/4" HX. HD., 85Nm/63ft.lbs	6
430	587 42 88-01	BOLT	1/2"-20x1-1/2" SOC. HD., 85Nm/63ft.lbs	3
439	725 24 53-76	SCREW EHHM	M8x25 ISO4017 10.9 ZPB, 35Nm/26ft.lbs	16
460	576 64 57-04	NUT FLANGE	M8	16
461	587 65 39-03	NUT	1/2"-20"	4
484	542 17 30-35	WASHER	M20 ISO7089 200HV ZPB	4
485	734 11 63-01	WASHER	M8 ISO7089 200HV ZPB	16
511	599 17 40-01	PIN	Clevis pin 3/4"x3"	2
512	599 17 41-01	PIN	Clevis pin 3/4"x3-3/4"	1
514	599 16 49-01	PIN	Cotter pin 1/8"x 1-1/2"	3
587	598 99 69-01	BEARING	0,875"	6

Go to Discount-Equipment.com to order your parts

H CRT48-3V PS
BLADE ASSY, RIGHT



Go to Discount-Equipment.com to order your parts

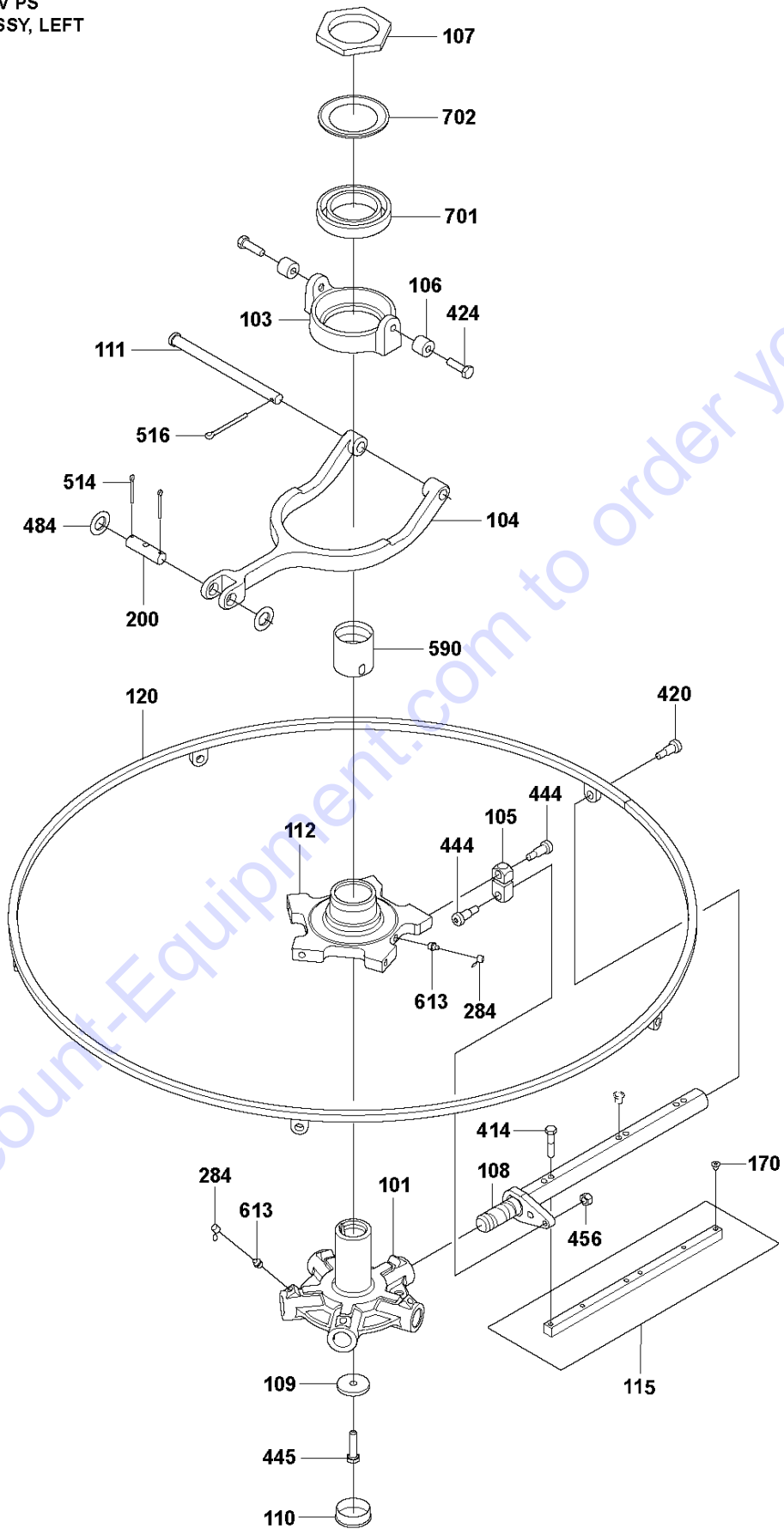
BLADE ASSY, RIGHT

CRT48-37V PS, 970461606, 2020-02

Ref	Part No	Description	Remark	QTY KIT
101	599 07 49-01	HUB		1
102	599 00 10-01	RING	Blade lifting ring, right	1
103	598 99 94-01	HOLDER		1
104	598 99 90-01	YOKE		1
105	598 99 33-01	LINK		5
106	598 99 34-01	TUBE		2
107	598 99 87-01	CAP	24Nm/18ft.lbs (S1)	1
108	599 10 77-01	SHAFT		5
109	599 16 60-01	WASHER		1
110	598 99 58-01	PLUG		1
111	599 16 78-01	SHAFT		1
115	598 92 98-01	BLADE SET	Finishing blades 48", set of 4 pcs.	2
120	599 01 32-01	RING		1
170	599 16 34-01	PLUG		5
200	598 99 35-01	MOUNT		1
284	599 16 92-01	CAP	Cap	7
414	599 16 71-01	SCREW	5/16"-18x1-5/8" HHCS GR5, 24Nm/18ft.lbs	15
420	599 16 30-01	SCREW	1/2"x1/2" shoulder, 24Nm/18ft.lb	5
424	725 24 97-51	SCREW	M10x35 ISO4017 8.8 ZPB, 49, Nm/36ft.lbs	2
444	599 16 50-01	SCREW	1/2"x3/4"x1-3/8" shoulder, 24Nm/18ft.lb	10
445	725 25 00-51	SCREW EHHM	M10x45, 49Nm/36ft.lbs (DIN931 S3)	1
456	596 04 02-01	HEXAGON NUT		4
484	542 17 30-35	WASHER	M20 ISO7089 200HV ZPB	2
514	599 16 49-01	PIN	Cotter pin 1/8"x1-1/2"	2
516	599 16 51-01	PIN	Cotter pin 3/16"x2"	1
590	598 99 91-01	BUSHING		1
613	599 16 21-01	FITTING	Grease fitting AM10 DIN71412	7
701	598 43 19-01	BALL BEARING	6014 2RS1 C3	1
702	599 16 72-01	RING	Nilos ring 6014 ZAV	1

Go to Discount-Equipment.com to get your parts

J CRT48-37V PS
BLADE ASSY, LEFT



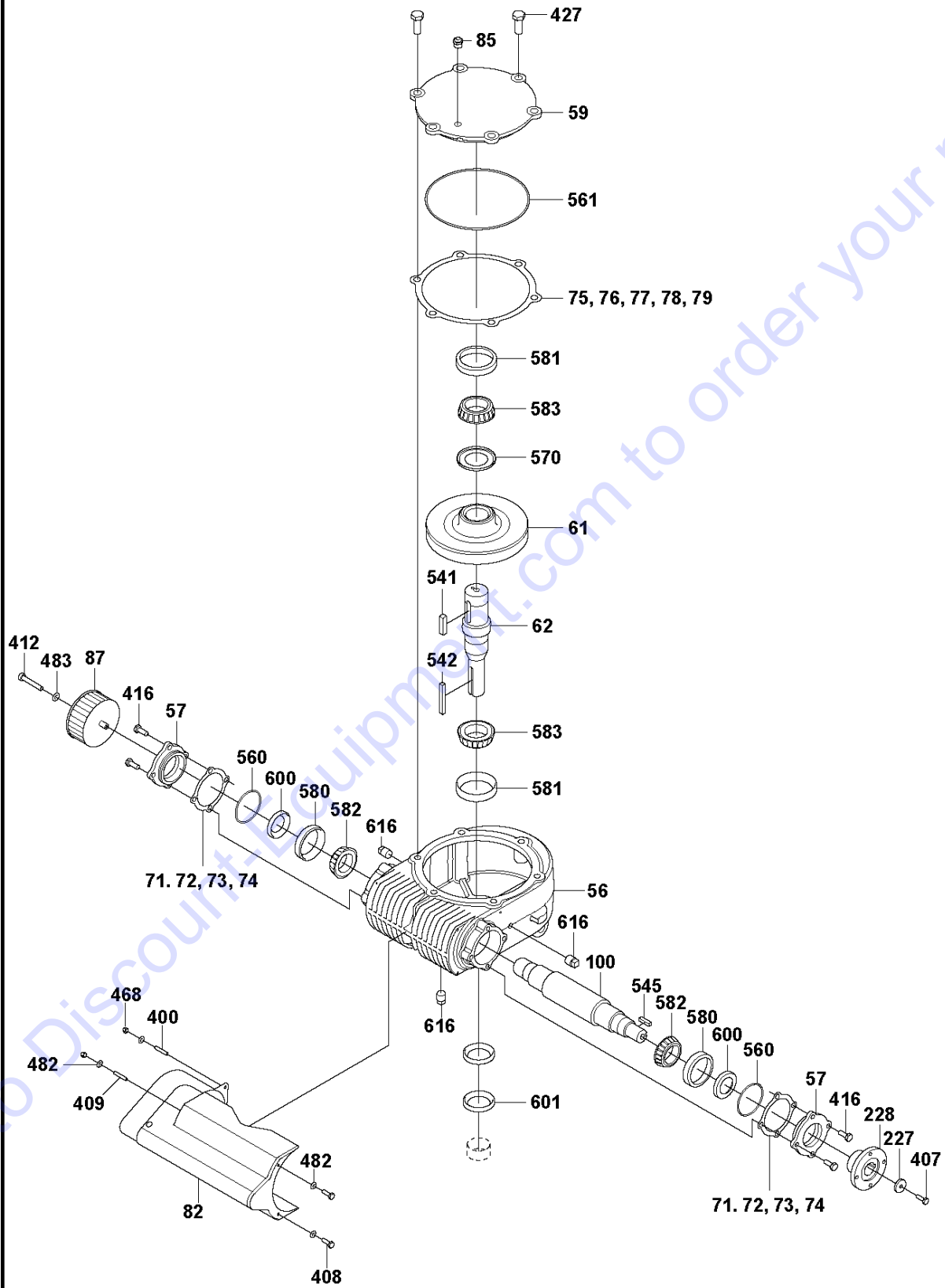
BLADE ASSY, LEFT

CRT48-37V PS, 970461606, 2020-02

Ref	Part No	Description	Remark	QTY KIT
101	599 07 49-01	HUB		1
103	598 99 94-01	HOLDER		1
104	598 99 90-01	YOKE		1
105	598 99 33-01	LINK		5
106	598 99 34-01	TUBE		2
107	598 99 87-01	CAP	24Nm/18ft.lbs (S1)	1
108	599 10 77-01	SHAFT		5
109	599 16 60-01	WASHER		1
110	598 99 58-01	PLUG		1
111	599 16 78-01	SHAFT		1
112	599 00 11-01	RING	Blade lifting ring, left	1
115	598 92 98-01	BLADE SET	"Finishing blades 48"" , set of 4 pcs."	2
120	599 01 32-01	RING		1
170	599 16 34-01	PLUG		5
200	598 99 35-01	MOUNT		1
284	599 16 92-01	CAP	Cap	7
414	599 16 71-01	SCREW	5/16"-18x1-5/8" HHCS GR5, 24Nm/18ft.lbs	15
420	599 16 30-01	SCREW	1/2"x1/2"" shoulder, 24Nm/18ft.lb	5
424	725 24 97-51	SCREW	M10x35 ISO4017 8.8 ZPB, 49, Nm/36ft.lbs	2
444	599 16 50-01	SCREW	1/2"x3/4"x1-3/8" shoulder, 24Nm/18ft.lb	10
445	725 25 00-51	SCREW EHHM	M10 x 45, 49Nm/36ft.lbs (DIN931 S3)	1
456	596 04 02-01	HEXAGON NUT		4
484	542 17 30-35	WASHER	M20 ISO7089 200HV ZPB	2
514	599 16 49-01	PIN	Cotter pin 1/8"x 1-1/2"	2
516	599 16 51-01	PIN	Cotter pin 3/16"x2"	1
590	598 99 91-01	BUSHING		1
613	599 16 21-01	FITTING	Grease fitting AM10 DIN71412	7
701	598 43 19-01	BALL BEARING	6014 2RS1 C3	1
702	599 16 72-01	RING	Nilos ring 6014 ZAV	1

Go to Discount-Equipment.com to get your parts

K CRT48-37V PS
GEARBOX, RIGHT



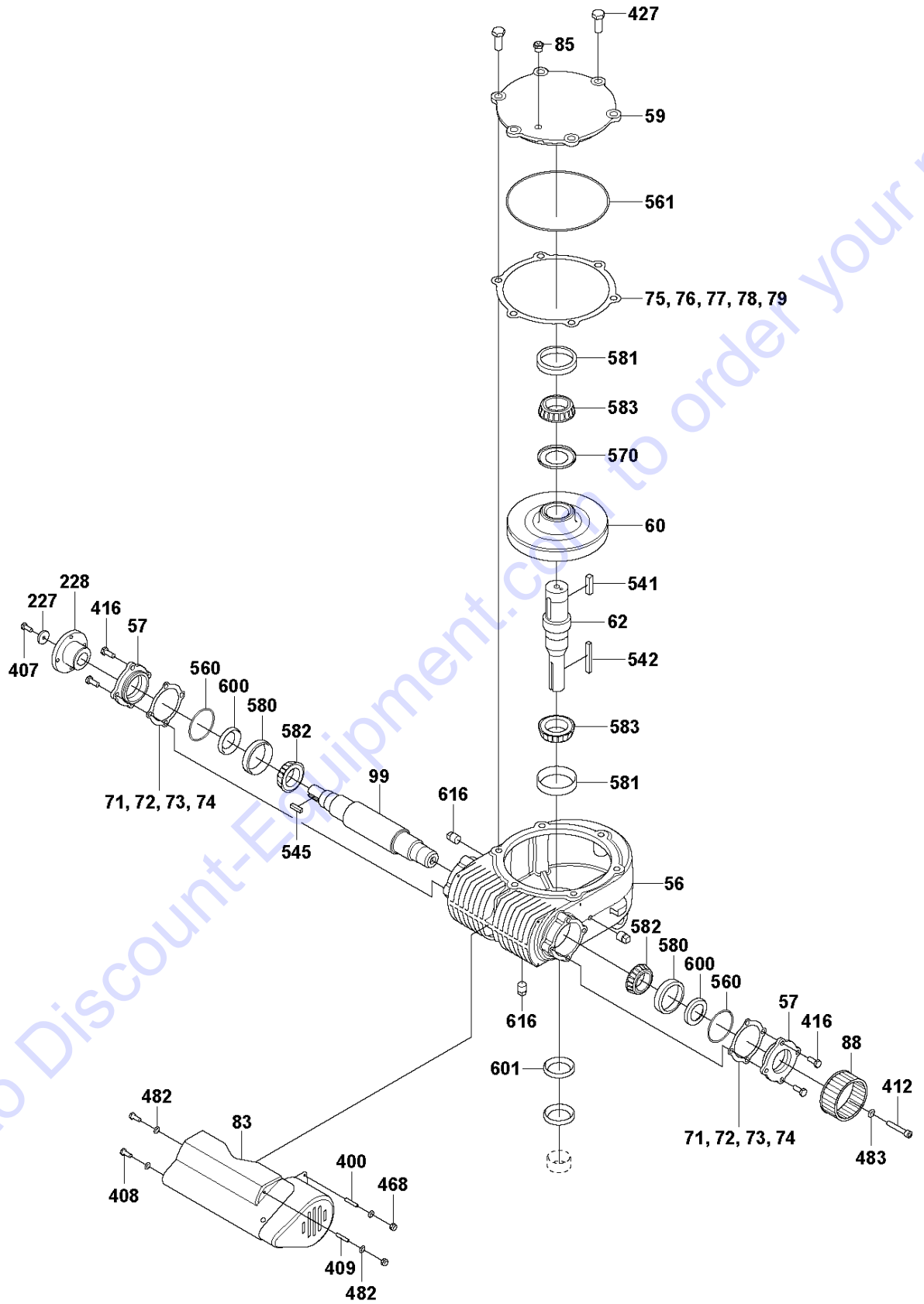
GEARBOX, RIGHT

CRT48-37V PS, 970461606, 2020-02

Ref	Part No	Description	Remark	QTY KIT
56	598 99 21-01	GEARBOX		1
57	598 99 22-01	COVER		2
59	598 99 15-01	COVER		1
61	598 99 16-01	GEAR	Wormgear, right hand	1
62	598 99 92-01	SHAFT		1
71	599 01 71-01	SHIM	0,007"	1
72	599 01 72-01	SHIM	0,009"	1
73	599 01 73-01	SHIM	0,012"	2
74	599 01 74-01	SHIM	0,022"	1
75	599 01 65-01	SHIM	0,007"	1
76	599 01 66-01	SHIM	0,009"	1
77	599 01 67-01	SHIM	0,012"	1
78	599 01 68-01	SHIM	0,022"	2
79	599 01 69-01	SHIM	0,032"	2
82	598 99 27-01	COVER		1
85	599 17 05-01	VALVE		1
87	598 99 25-01	FAN		1
100	598 99 51-01	WORM GEAR		1
227	599 16 58-01	WASHER	1-1/8"x0,281"x0,187"	1
228	599 12 54-01	FITTING		1
400	599 16 74-01	STUD	M4x20 DIN976	2
407	725 23 70-71	SCREW EHHM	M6x20 ISO4017 8.8 ZPB, 10Nm/7ft.lbs	1
408	599 16 82-01	SCREW	M4x14 ISO4017 8.8 ZPB, 3Nm/2ft.lbs	2
409	599 16 81-01	STUD	M4x25 DIN976	2
412	725 53 78-01	SCREW IHSCM	M6x40 ISO4762 8.8 ZPB	1
416	725 24 51-01	SCREW	8x20 hx.hd. 24Nm/18ft.lbs	8
427	598 74 98-01	SCREW	M12 x 35, 85Nm/63ft.lbs (DIN933 S3)	2
468	599 15 98-01	LOCK NUT	M4, 3Nm/2ft.lbs (S3)	2
482	734 11 46-01	WASHER	M5 ISO7089 200HV ZPB	4
483	599 16 02-01	WASHER		1
541	599 16 48-01	KEY	Square key 3/8"x1-1/2" 4140 320BHN	1
542	599 16 76-01	KEY	Square key 3/8"x4"	1
545	599 16 15-01	KEY	Square key 1/4"x1"	1
560	598 99 23-01	O-RING	2-3/8"x3/32 NBR 70 Shore	2
561	598 99 24-01	O-RING	7-1/4"x1/8" NBR 70 Shore	1
570	599 16 45-01	SEAL	2,78 x 1,625	1
580	599 16 46-01	BEARING		2
581	599 16 47-01	BEARING		2
582	598 99 47-01	BEARING		2
583	599 16 56-01	BEARING		2
600	599 04 75-01	SEAL	1,313x2,066x0,31	2
601	599 04 76-01	SEAL	1,625x2,252x0,31	2
616	599 17 10-01	PLUG	3/8in NPTF (S8)	3

Go to DiscountEquipment.com to order your parts

L CRT48-37V PS
GEARBOX, LEFT



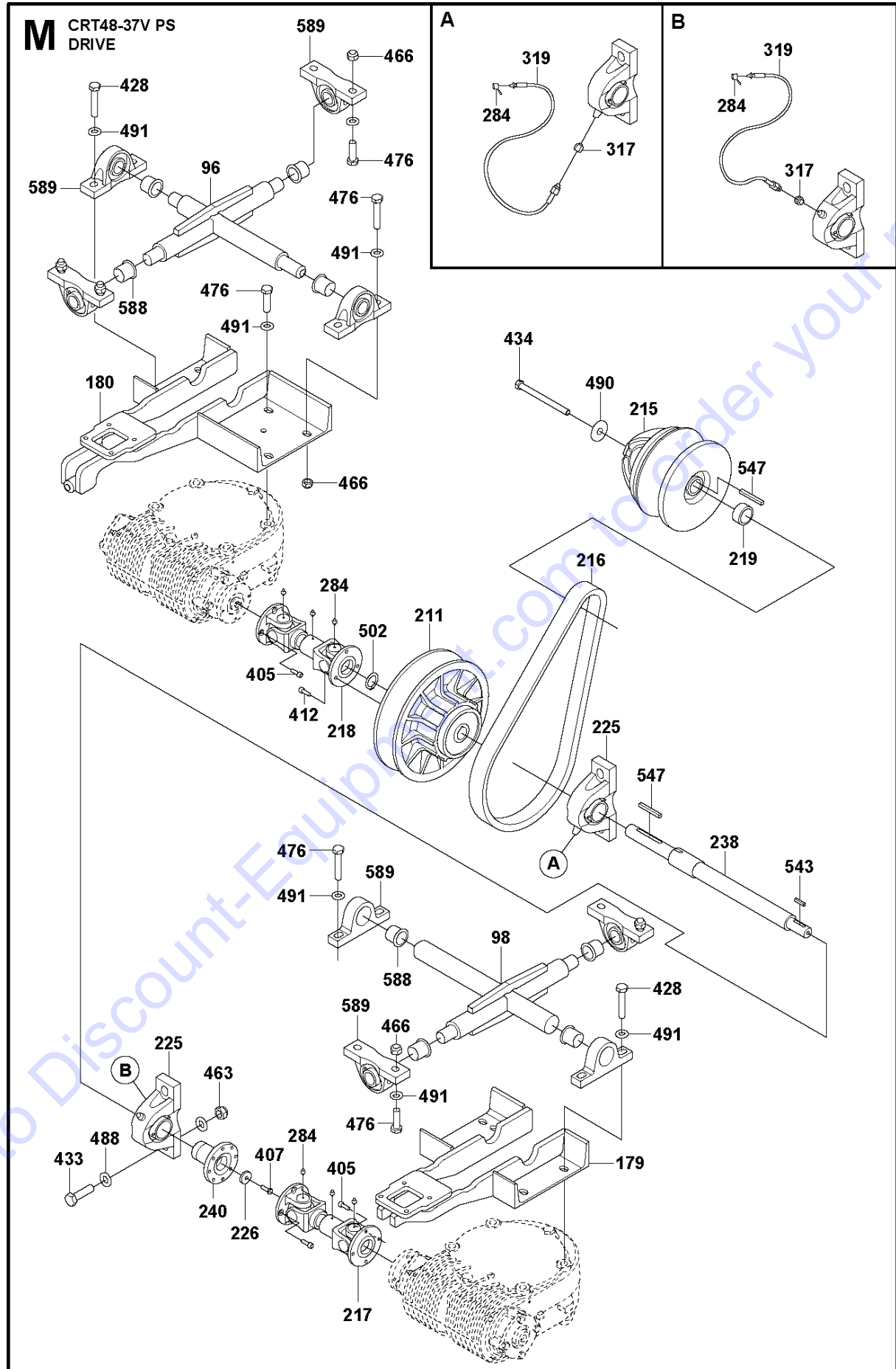
Go to Discount-Equipment.com to order your parts

GEARBOX, LEFT

CRT48-37V PS, 970461606, 2020-02

Ref	Part No	Description	Remark	QTY KIT
56	598 99 21-01	GEARBOX		1
57	598 99 22-01	COVER		2
59	598 99 15-01	COVER		1
60	598 99 18-01	GEAR	Wormgear, left hand	1
62	598 99 92-01	SHAFT		1
71	599 01 71-01	SHIM	0,007"	1
72	599 01 72-01	SHIM	0,009"	1
73	599 01 73-01	SHIM	0,012"	2
74	599 01 74-01	SHIM	0,022"	1
75	599 01 65-01	SHIM	0,007"	1
76	599 01 66-01	SHIM	0,009"	1
77	599 01 67-01	SHIM	0,012"	1
78	599 01 68-01	SHIM	0,022"	2
79	599 01 69-01	SHIM	0,032"	2
83	598 99 30-01	COVER		1
85	599 17 05-01	VALVE		1
88	598 99 26-01	FAN		1
99	598 99 50-01	WORM GEAR		1
227	599 16 58-01	WASHER	1-1/8"x0,281"x0,187"	1
228	599 12 54-01	FITTING		1
400	599 16 74-01	STUD	M4x20 DIN976	2
407	725 23 70-71	SCREW EHHM	M6x20 ISO4017 8.8 ZPB, 10Nm/7ft.lbs	1
408	599 16 82-01	SCREW	M4x14 ISO4017 8.8 ZPB, 3Nm/2ft.lbs	2
409	599 16 81-01	STUD	M4x25 DIN976	2
412	725 53 78-01	SCREW IHSCM	M6x40 ISO4762 8.8 ZPB	1
416	725 24 51-01	SCREW	8x20 hx.hd. 24Nm/18ft.lbs	8
427	598 74 98-01	SCREW	M12 x 35, 85Nm/63ft.lbs (DIN933 S3)	2
468	599 15 98-01	LOCK NUT	M4, 3Nm/2ft.lbs (S3)	2
482	734 11 46-01	WASHER	M5 ISO7089 200HV ZPB	4
483	599 16 02-01	WASHER		1
541	599 16 48-01	KEY	Square key 3/8"x1-1/2" 4140 320BHN	1
542	599 16 76-01	KEY	Square key 3/8"x4"	1
545	599 16 15-01	KEY	Square key 1/4"x1"	1
560	598 99 23-01	O-RING	2-3/8"x3/32 NBR 70 Shore	2
561	598 99 24-01	O-RING	7-1/4"x1/8" NBR 70 Shore	1
570	599 16 45-01	SEAL	2,78 x 1,625	1
580	599 16 46-01	BEARING		2
581	599 16 47-01	BEARING		2
582	598 99 47-01	BEARING		2
583	599 16 56-01	BEARING		2
600	599 04 75-01	SEAL	1,313x2,066x0,31	2
601	599 04 76-01	SEAL	1,625x2,252x0,31	2
616	599 17 10-01	PLUG	3/8in NPTF (S8)	3

Go to DiscountEquipment.com to order your parts



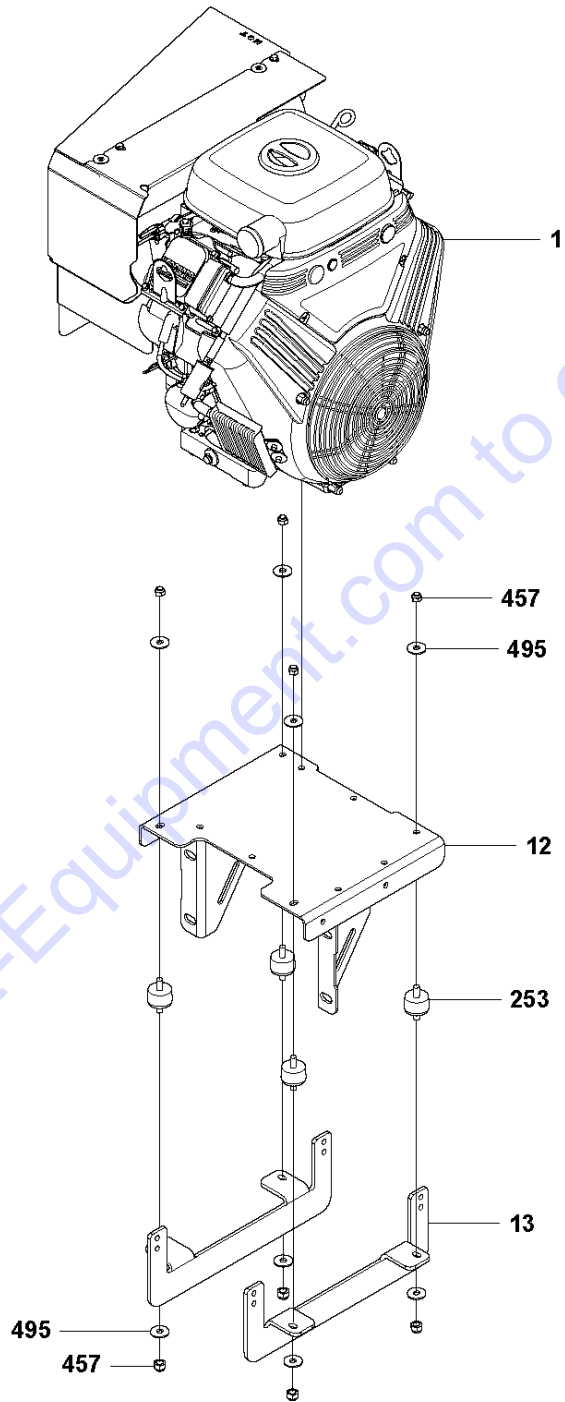
DRIVE

CRT48-37V PS, 970461606, 2020-02

Ref	Part No	Description	Remark	QTY KIT
96	599 05 83-01	LEVER	Right cross	1
98	599 05 84-01	LEVER	Left cross	1
179	599 00 88-01	BRACKET	Gearbox bracket, left	1
180	599 02 29-01	BRACKET	Gearbox bracket, right	1
211	599 03 27-01	CLUTCH		1
215	599 03 28-01	CLUTCH		1
216	599 03 26-01	BELT	13-1/4"	1
217	598 99 52-01	JOINT		1
218	599 02 17-01	JOINT		1
219	599 02 21-01	SPACER		1
225	598 99 45-01	BEARING		2
226	599 16 54-01	WASHER	1"x0,265"x0,1795"	1
238	599 12 36-01	SHAFT		1
240	598 99 48-01	FITTING		1
284	599 16 92-01	CAP	Cap	8
317	599 17 29-01	FITTING		2
319	599 08 34-01	HOSE	41"	2
405	725 53 70-01	SCREW IHSCM	M6x20 ISO4762 8.8 ZPB, 9Nm/7ft.lbs	12
407	725 23 70-71	SCREW EHHM	M6x20 ISO4017 8.8 ZPB, 10Nm/7ft.lbs	1
412	725 53 78-01	SCREW IHSCM	M6x40 ISO4762 8.8 ZPB	3
428	725 25 45-51	SCREW EHHM	M12x65 ISO4014 8.8 ZPB, 85Nm/63ft.lbs	4
433	597 97 91-01	SCREW	M14x50 ISO4017 8.8 ZPB, 135Nm/100ft.lbs	4
434	599 17 51-01	SCREW	7/16"-20x5,5" SAE GR5	1
463	598 55 65-01	NUT	M14 ISO10511	4
466	502 04 55-01	NUT	M12 ISO10511	12
476	725 25 41-71	SCREW EHHM	M12x45 ISO4017 8.8 ZPB, 10Nm/7ft.lbs	16
488	599 16 57-01	WASHER	M14 ISO7089 200HV ZPB	8
490	599 16 44-01	WASHER	0,531x1,625x0,12	1
491	734 11 78-01	WASHER	M12 ISO7089 200HV ZPB	20
502	599 16 55-01	RETAINER RING	1"	1
543	599 16 32-01	KEY	Square key 3/16"x1"	2
547	599 17 24-01	KEY	Square key 1/4"x2-1/2"	2
588	598 99 31-01	BEARING	1" ID	6
589	599 01 26-01	BLOCK		6

Go to Discount-Equipment.com to get your parts

N CRT48-37V PS
ENGINE INSTALLATION



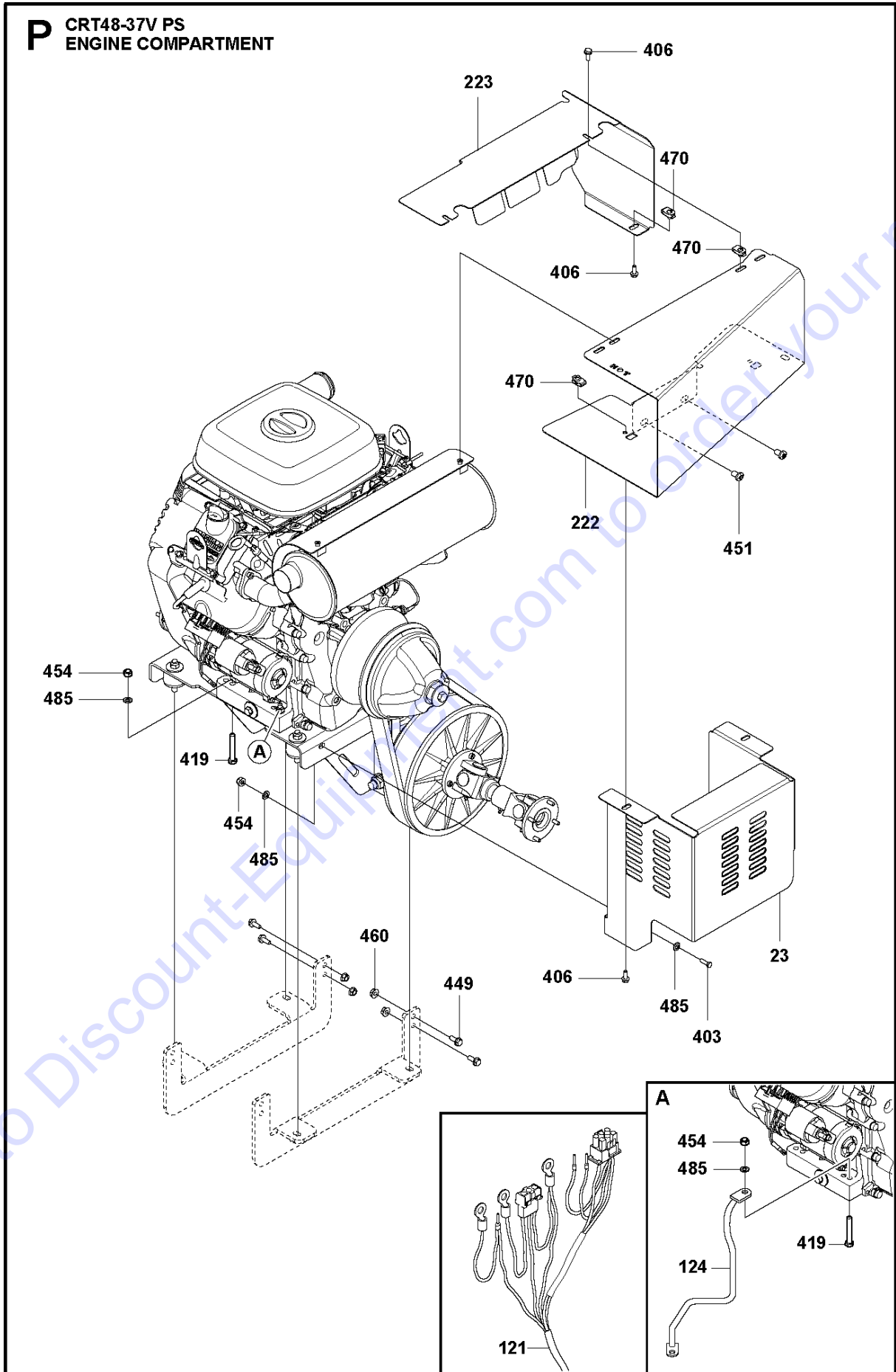
ENGINE INSTALLATION

CRT48-37V PS, 970461606, 2020-02

Ref	Part No	Description	Remark	QTY KIT
1	599 07 63-01	ENGINE		1
12	599 02 20-01	PLATE		1
13	599 02 19-01	BRACKET		2
253	598 99 98-01	BUMPER		4
457	539 20 02-82	NUT		8
495	599 15 99-01	WASHER	B10,5 (DIN9021)	8

Go to Discount-Equipment.com to order your parts

P CRT48-37V PS
ENGINE COMPARTMENT



ENGINE COMPARTMENT

CRT48-37V PS, 970461606, 2020-02

Ref	Part No	Description	Remark	QTY KIT
23	599 03 36-01	BELT GUARD		1
121	599 07 68-01	WIRING		1
124	599 03 63-01	CABLE		1
222	599 04 35-01	HEAT SHIELD		1
223	599 04 36-01	HEAT SHIELD		1
403	725 24 53-71	SCREW EHHM	M8x25 ISO4017 8.8 ZPB, 31Nm/23ft.lbs	1
406	585 98 06-01	SCREW EHHFM	M6x16 ISO1665 8.8 ZPB, 9Nm/7ft.lbs	5
419	725 24 62-51	SCREW EHHM	M8x55 ISO4014 8.8 ZPB, 24Nm/18ft.lbs	4
449	506 57 01-04	SCREW EHHFM	M8x20 ISO1665 8.8 ZPB, 24Nm/18ft.lbs	8
451	599 17 69-01	SCREW		2
454	522 91 94-01	LOCK NUT	M8 ISO10511	5
460	576 64 57-04	NUT FLANGE	M8	8
470	599 16 68-01	LOCK NUT	M6	5
485	734 11 63-01	WASHER	M8 ISO7089 200HV ZPB	6

Go to Discount-Equipment.com to order your parts

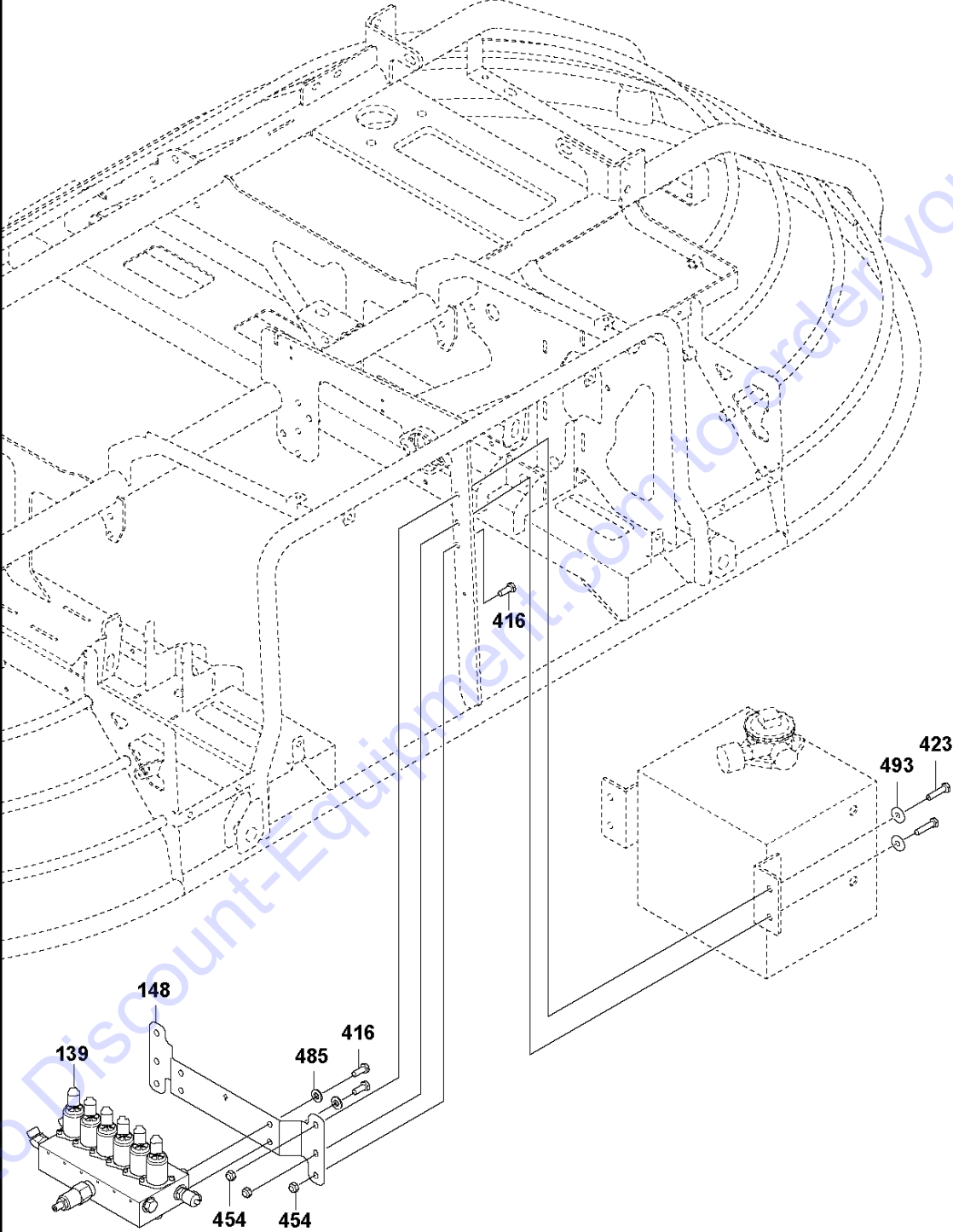
HYDRAULIC PIPING

CRT48-37V PS, 970461606, 2020-02

Ref	Part No	Description	Remark	QTY	KIT
35	599 11 89-01	PUMP		1	
135	599 12 05-01	PLATE		1	
136	599 11 69-01	RADIATOR		1	
140	599 05 08-01	RESERVOIR		1	
142	599 12 09-01	SHROUD		1	
282	599 17 28-01	CLAMP	20-32	3	
321	599 12 07-01	FITTING		1	
322	598 98 74-01	FITTING		1	
323	598 99 78-01	FITTING		1	
324	598 99 09-01	FITTING		1	
406	585 98 06-01	SCREW EHHFM	M6x16 ISO1665 8.8 ZPB, 9Nm/7ft.lbs	5	
449	506 57 01-04	SCREW EHHFM	M8x20 ISO1665 8.8 ZPB, 24Nm/18ft.lbs	4	
460	576 64 57-04	NUT FLANGE	M8	4	
470	599 16 68-01	LOCK NUT	M6	5	
902	599 50 71-01	HYDRAULIC HOSE	24"	1	1000
903	599 50 72-01	HYDRAULIC HOSE	49"	1	1000
904	599 50 73-01	HYDRAULIC HOSE	37"	1	1000
905	599 50 75-01	HYDRAULIC HOSE	55"	1	1000
906	599 50 76-01	HYDRAULIC HOSE		2	1000
907	599 50 77-01	HYDRAULIC HOSE		2	1000
908	599 50 78-01	HYDRAULIC HOSE		2	1000
913	599 50 80-01	FILTER		1	140
914	599 50 81-01	CAP		1	913, 140
915	599 50 84-01	O-RING		1	913, 140
916	599 50 82-01	SPRING		1	913, 140
917	599 50 83-01	FILTER HOUSING		1	913, 140
918	599 50 85-01	O-RING		1	913, 140
919	599 50 86-01	O-RING		1	913, 140
920	599 50 87-01	SEPARATOR		1	913, 140
921	599 50 88-01	BREATHER		1	913, 140
922	599 50 89-01	FILTER		1	913, 140
999	599 50 69-01	HYDRAULIC TANK		1	140
1000	599 12 02-01	HOSE KIT	Hydraulic hoses, set	1	
1001	599 50 68-01	HYDRAULIC TANK	Sight glass	1	140

Go to Discount-Equipment.com to order your parts

R CRT48-37V PS
HYDRAULIC MANIFOLD



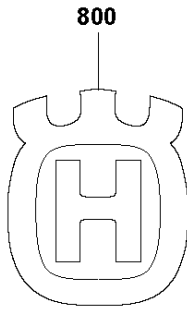
HYDRAULIC MANIFOLD

CRT48-37V PS, 970461606, 2020-02

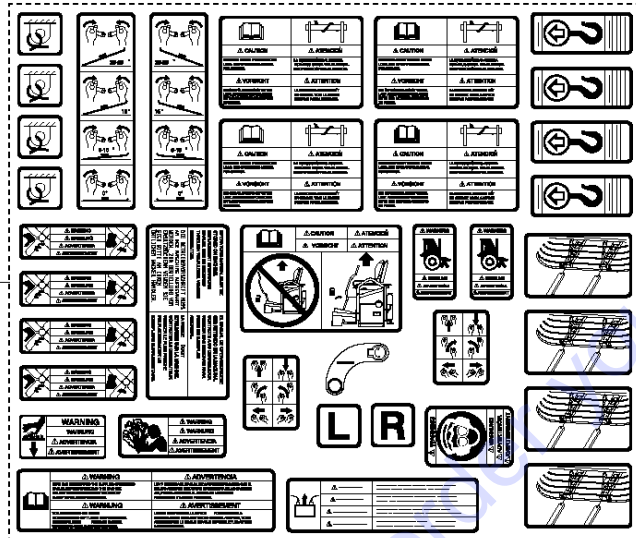
Ref	Part No	Description	Remark	QTY KIT
139	599 05 07-01	MANIFOLD		1
148	599 05 37-01	BRACKET		1
416	725 24 51-01	SCREW	8x20 hx.hd. 24Nm/18ft.lbs	6
423	725 24 57-51	SCREW	M8x35 ISO4017 8.8 ZPB 25Nm/18ft.lbs	4
454	522 91 94-01	LOCK NUT	M8 ISO10511	6
485	734 11 63-01	WASHER	M8 ISO7089 200HV ZPB	4
493	734 11 65-41	WASHER	M8 ISO7093 ZPB	4

Go to Discount-Equipment.com to order your parts

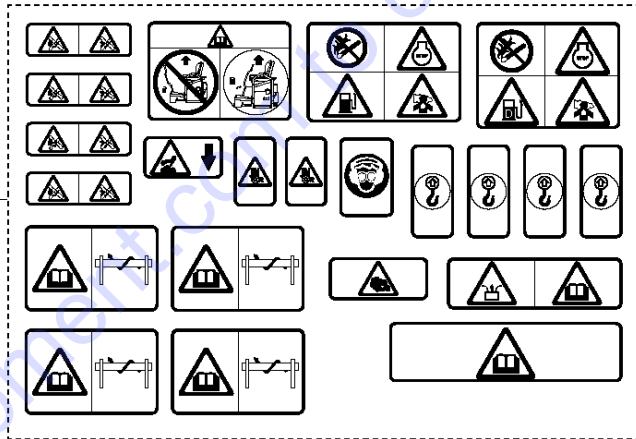
Q CRT48-37V PS
DECALS



230



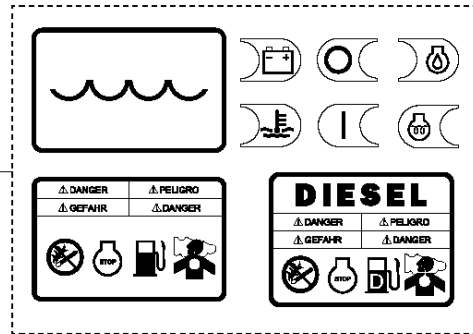
231



801

CRT48

235



810

Husqvarna[®]

Go to Discount-Equipment.com for parts

DECALS

CRT48-37V PS, 970461606, 2020-02

Ref	Part No	Description	Remark	QTY KIT
230	599 04 73-01	LABEL		1
231	599 00 25-01	LABEL		1
235	599 04 31-01	LABEL		1
800	599 23 50-01	DECAL		1
801	599 23 49-01	DECAL		1
810	599 23 48-01	DECAL		2

Go to Discount-Equipment.com to order your parts

PARTS FINDER

**Search Website
by Part Number**



**Search Manual
Library For Parts
Manual & Lookup Part
Numbers – Purchase
or Request Quote**

Search Manuals

Enter your information to help us find the right parts manual for your machine.

* Brand:

* Model:

* Serial:

* Part Number:

SEARCH

**Can't Find Part or
Manual? Request Help
by Manufacturer,
Model & Description**

Parts Order Form

Please fill in the following information to help us find the right part for your machine.

MANUFACTURER:

MODEL:

DESCRIPTION:

DATE:

NAME:

PHONE:

EMAIL:

ADDRESS:

CITY:

STATE:

ZIP:

REQUEST FOR QUOTE

Discount-Equipment.com is your online resource for quality parts & equipment.

Florida: **561-964-4949** Outside Florida TOLL FREE: **877-690-3101**

Need parts?

Click on this link: <http://www.discount-equipment.com/category/5443-parts/> and choose one of the options to help get the right parts and equipment you are looking for. Please have the machine model and serial number available in order to help us get you the correct parts. If you don't find the part on the website or on one of the online manuals, please fill out the request form and one of our experienced staff members will get back to you with a quote for the right part that your machine needs.

We sell worldwide for the brands: Genie, Terex, JLG, MultiQuip, Mikasa, Essick, Whiteman, Mayco, Toro Stone, Diamond Products, Generac Magnum, Airman, Haulotte, Barreto, Power Blanket, Nifty Lift, Atlas Copco, Chicago Pneumatic, Allmand, Miller Curber, Skyjack, Lull, Skytrak, Tsurumi, Husquvarna Target, Stow, Wacker, Sakai, Mi-T-M, Sullair, Basic, Dynapac, MBW, Weber, Bartell, Bennar Newman, Haulotte, Ditch Runner, Menegotti, Morrison, Contec, Buddy, Crown, Edco, Wyco, Bomag, Laymor, EZ Trench, Bil-Jax, F.S. Curtis, Gehl Pavers, Heli, Honda, ICS/PowerGrit, IHI, Partner, Imer, Clipper, MMD, Koshin, Rice, CH&E, General Equipment, Amida, Coleman, NAC, Gradall, Square Shooter, Kent, Stanley, Tamco, Toku, Hatz, Kohler, Robin, Wisconsin, Northrock, Oztec, Toker TK, Rol-Air, APT, Wylie, Ingersoll Rand / Doosan, Innovatech, Con X, Ammann, Mecalac, Makinex, Smith Surface Prep, Small Line, Wanco, Yanmar