



# SPARE PARTS LIST

POWER PACKS

PP 492, 2016-01

Go to [Discount-Equipment.com](http://Discount-Equipment.com) to order your parts



# PARTS FINDER

**Search Website  
by Part Number**



**Search Manual  
Library For Parts  
Manual & Lookup Part  
Numbers – Purchase  
or Request Quote**

**Search Manuals**

Enter your information to help us find the right parts manual for your machine.

\* Brand:

\* Model:

\* Serial:

\* Part Number:

SEARCH

**Can't Find Part or  
Manual? Request Help  
by Manufacturer,  
Model & Description**

**Parts Order Form**

Please fill in the following information to help us find the right part for your machine.

Manufacturer:	<input type="text"/>
Model:	<input type="text"/>
Description:	<input type="text"/>
Part Number:	<input type="text"/>
Quantity:	<input type="text"/>
Notes:	<input type="text"/>

Submit

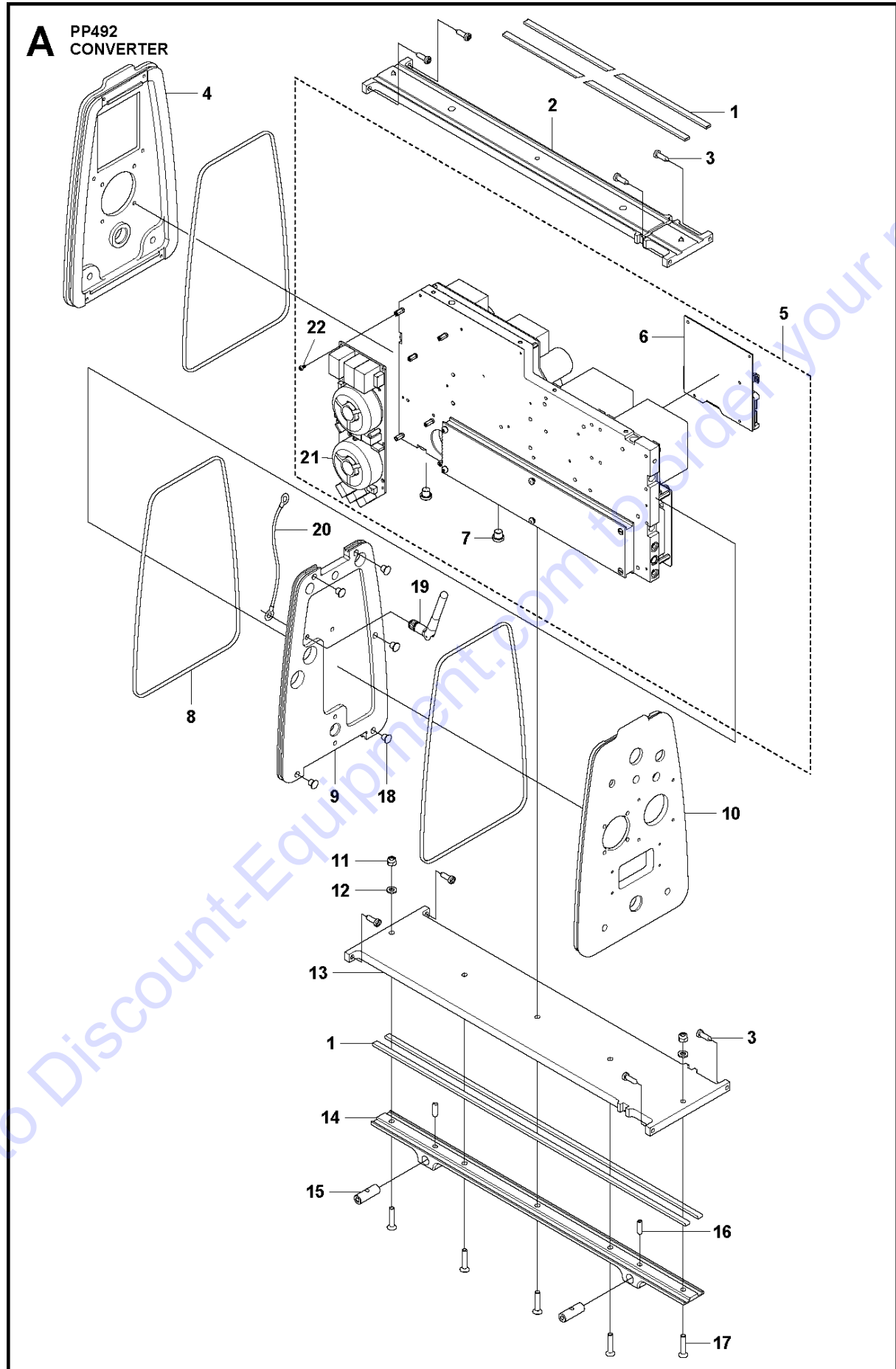
Discount-Equipment.com is your online resource for quality parts & equipment.

Florida: **561-964-4949** Outside Florida TOLL FREE: **877-690-3101**

**Need parts?**

Click on this link: <http://www.discount-equipment.com/category/5443-parts/> and choose one of the options to help get the right parts and equipment you are looking for. Please have the machine model and serial number available in order to help us get you the correct parts. If you don't find the part on the website or on one of the online manuals, please fill out the request form and one of our experienced staff members will get back to you with a quote for the right part that your machine needs.

We sell worldwide for the brands: Genie, Terex, JLG, MultiQuip, Mikasa, Essick, Whiteman, Mayco, Toro Stone, Diamond Products, Generac Magnum, Airman, Haulotte, Barreto, Power Blanket, Nifty Lift, Atlas Copco, Chicago Pneumatic, Allmand, Miller Curber, Skyjack, Lull, Skytrak, Tsurumi, Husquvarna Target, Stow, Wacker, Sakai, Mi-T-M, Sullair, Basic, Dynapac, MBW, Weber, Bartell, Bennar Newman, Haulotte, Ditch Runner, Menegotti, Morrison, Contec, Buddy, Crown, Edco, Wyco, Bomag, Laymor, EZ Trench, Bil-Jax, F.S. Curtis, Gehl Pavers, Heli, Honda, ICS/PowerGrit, IHI, Partner, Imer, Clipper, MMD, Koshin, Rice, CH&E, General Equipment, Amida, Coleman, NAC, Gradall, Square Shooter, Kent, Stanley, Tamco, Toku, Hatz, Kohler, Robin, Wisconsin, Northrock, Oztec, Toker TK, Rol-Air, APT, Wylie, Ingersoll Rand / Doosan, Innovatech, Con X, Ammann, Mecalac, Makinex, Smith Surface Prep, Small Line, Wanco, Yanmar

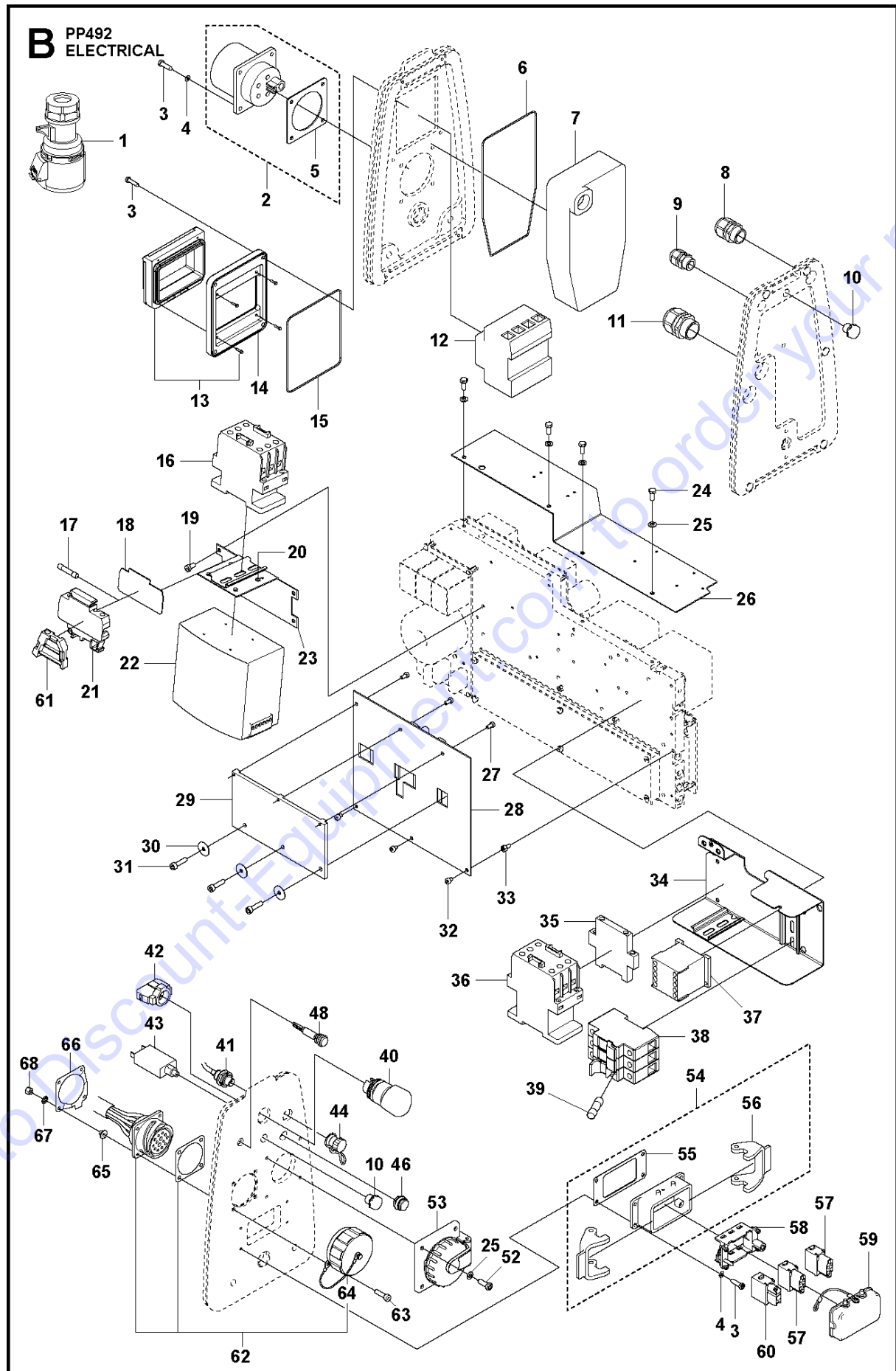


## CONVERTER

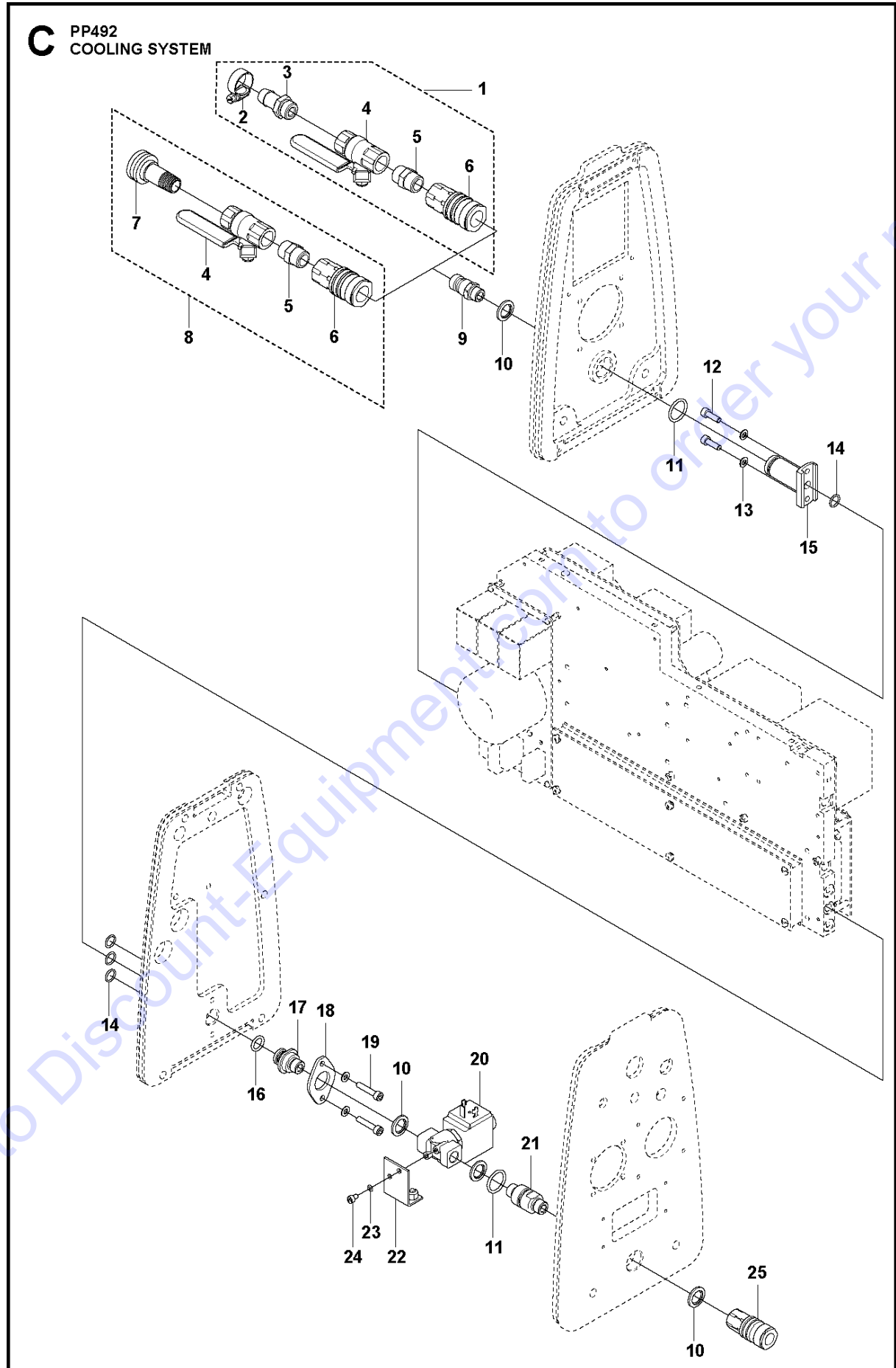
PP 492, 2016-01

Ref	Part No	Description	Remark	QTY KIT
1	505 52 85-02	SEALING STRIP		4
2	522 61 53-01	SUPPORT PLATE		1
3	575 61 74-03	SCREW		8
4	587 00 54-01	GABLE		1
5	588 76 64-01	PRINTED CIRCUIT BOARD		1
6	582 02 24-01	PRINTED CIRCUIT ASSY		1
7	531 11 93-37	PLUG		6
8	505 26 61-01	O-RING		3
9	588 26 21-01	PROTECTIVE PLATE		1
10	587 00 53-04	GABLE	5-pin	1
10	587 00 53-03	GABLE	4-pin	1
11	732 25 16-01	HEXAGON LOCKING NUT		1
12	734 11 52-01	WASHER		1
13	522 61 52-01	BASEPLATE		1
14	522 61 60-01	GABLE		1
15	531 12 34-17	LOCK		2
16	728 73 70-05	STOP SCREW		2
17	725 63 74-51	SCREW		5
18	505 52 86-01	PLUG		5
19	588 60 99-01	ANTENNA		1
20	588 61 00-01	EXTENSION CABLE		1
21	594 04 93-01	PRINTED CIRCUIT BOARD		1
22	725 52 20-01	SCREW IHSCM		4

Go to Discount-Equipment.com to order your parts



Ref	Part No	Description	Remark	QTY	KIT
1	531 11 71-31	SOCKET		1	
2	531 11 71-52	HOLDER		1	
3	575 61 74-02	SCREW		8	
4	734 11 35-71	WASHER		4	
5	578 31 05-01	SEALING		2	2
6	501 52 58-01	O-RING		1	
7	587 00 55-01	ELECTRIC BOX		1	
8	505 52 69-02	CABLE GROMMET		1	
9	505 52 69-01	CABLE GROMMET		1	
10	505 52 84-01	VALVE		2	
11	505 52 69-03	CABLE GROMMET		2	
12	577 24 36-01	SWITCH		1	
13	587 00 57-01	LID		1	
14	587 00 56-02	COVER		1	
15	501 52 51-01	O-RING		1	
16	588 26 19-02	CONTACTOR		1	
17	588 26 27-01	FUSE		1	
18	588 26 28-01	PLATE		1	
19	531 11 93-89	SCREW		4	
20	531 11 95-86	SCREW		4	
21	588 26 26-01	FUSE HOLDER		1	
22	588 26 24-01	TRANSFORMER		1	
23	581 48 65-02	ANGLE BRACKET		1	
24	531 11 92-08	SCREW		4	
25	734 11 46-01	WASHER		4	
26	522 52 50-01	ATTACHMENT PLATE		1	
27	531 11 93-88	SCREW		3	
28	588 49 76-02	PRINTED CIRCUIT ASSY		1	
29	531 12 33-62	PLATE		1	
30	531 11 92-60	WASHER		3	
31	725 53 31-01	SCREW IHSCM		3	
32	505 52 83-01	SCREW		3	
33	505 52 82-01	SPACER		3	
34	593 64 78-01	ANGLE BRACKET	Valid from machine serial number 20152203938	1	
35	588 26 25-01	INTERLOCK SWITCH		1	
36	588 26 19-01	CONTACTOR		1	
37	588 26 20-01	CONTACTOR		1	
38	588 26 22-01	FUSE HOLDER		3	
39	588 26 23-01	FUSE		3	
40	581 64 53-01	STOP SWITCH		1	
41	505 52 77-02	CABLE KIT		1	
42	510 28 53-01	CONTACT		1	
43	588 26 29-01	FUSE		1	
44	585 47 86-01	RUBBER PLUG		1	
46	588 26 43-01	PROTECTIVE CAP		1	
48	575 64 71-01	LAMP		1	
52	575 61 74-03	SCREW		4	
53	505 52 68-01	SOCKET		1	
54	505 52 92-01	CONTACT		1	
55	575 39 41-01	GASKET		1	54
56	505 24 70-01	SHACKLE		2	54
57	505 52 87-01	CONSOLE		2	
58	505 52 89-01	FRAME		1	
59	575 33 54-01	COVER		1	
60	505 52 88-01	CONSOLE		1	
61	531 11 71-74	SUPPORT		1	
62	596 87 26-01	RECEPTACLE		1	
63	725 53 31-01	SCREW IHSCM		1	
64	599 76 52-01	RECEPTACLE		1	
65	520 43 50-01	NUT		1	
66	597 43 24-01	GROUND PLATE		1	
67	735 21 46-01	LOCKWASHER		1	
68	731 23 14-01	HEXAGON NUT		1	



## COOLING SYSTEM

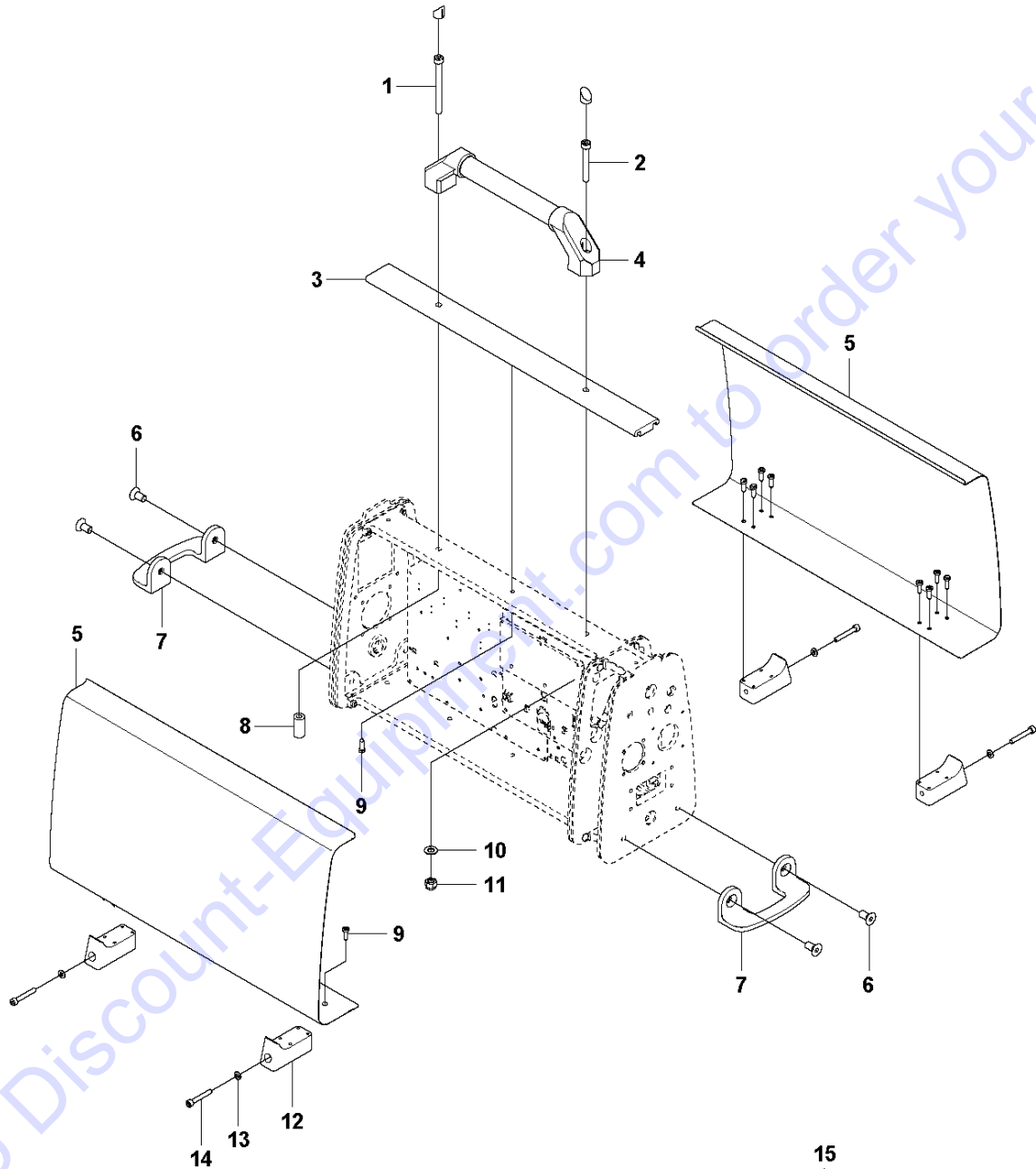
PP 492, 2016-01

Ref	Part No	Description	Remark	QTY	KIT
1	505 42 42-01	VALVE ASSY		1	
2	531 11 90-14	CLAMP		1	1
3	531 11 80-05	NIPPLE		1	1
4	531 11 80-18	VALVE		2	1, 8
5	505 40 74-01	NIPPLE		2	1, 8
6	531 11 80-03	COUPLING		2	1, 8
7	505 56 87-01	CONNECTION		1	8
8	506 74 83-01	VALVE ASSY		1	
9	531 11 83-54	NIPPLE		1	
10	740 38 27-01	SEALING WASHER		4	
11	740 43 13-00	O-RING		2	
12	725 53 29-01	SCREW IHSCM		2	
13	734 11 46-01	WASHER		4	
14	740 42 08-00	O-RING		4	
15	531 12 34-10	INLET		1	
16	740 43 09-00	O-RING		1	
17	531 12 34-11	SPACER		1	
18	531 12 34-12	PLATE		1	
19	725 53 33-01	SCREW IHSCM		2	
20	505 52 73-02	VALVE		1	
21	531 12 34-13	VALVE		1	
22	574 18 48-01	ANGLE BRACKET		1	
23	734 11 35-71	WASHER		2	
24	725 52 85-01	SCREW IHSCM		2	
25	531 11 82-19	QUICK COUPLING		1	

Go to Discount-Equipment.com to order your parts



**D** PP492  
COVER



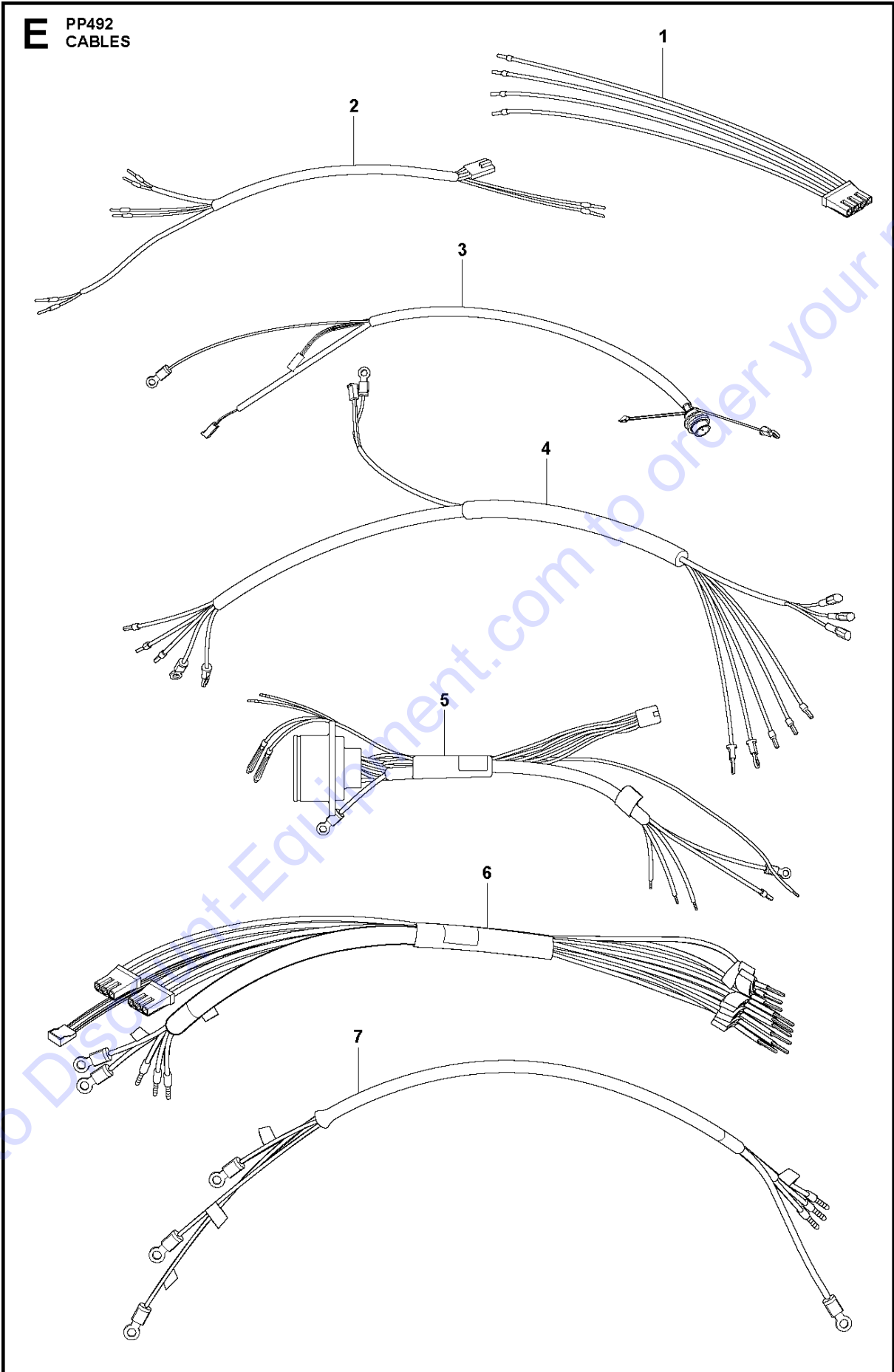
**Husqvarna**

**PP 492**

Ref	Part No	Description	Remark	QTY KIT
1	725 54 63-01	SCREW IHSCM		1
2	725 54 69-51	SCREW IHSCM		1
3	522 61 59-01	GABLE		1
4	505 52 72-01	HANDLE		1
5	522 61 61-01	PANEL		2
6	725 64 91-01	SCREW IHCSFM		4
7	531 12 33-61	PROTECTOR BAR		2
8	525 58 22-01	SPACER		1
9	575 61 74-03	SCREW		19
10	734 11 63-01	WASHER		1
11	732 25 18-01	HEXAGON LOCKING NUT		1
12	531 12 34-16	FOOTPLATE		4
13	734 11 52-01	WASHER		4
14	725 53 78-01	SCREW IHSCM		4
15	588 88 79-04	DECAL		2

Go to [Discount-Equipment.com](http://Discount-Equipment.com) to order your parts

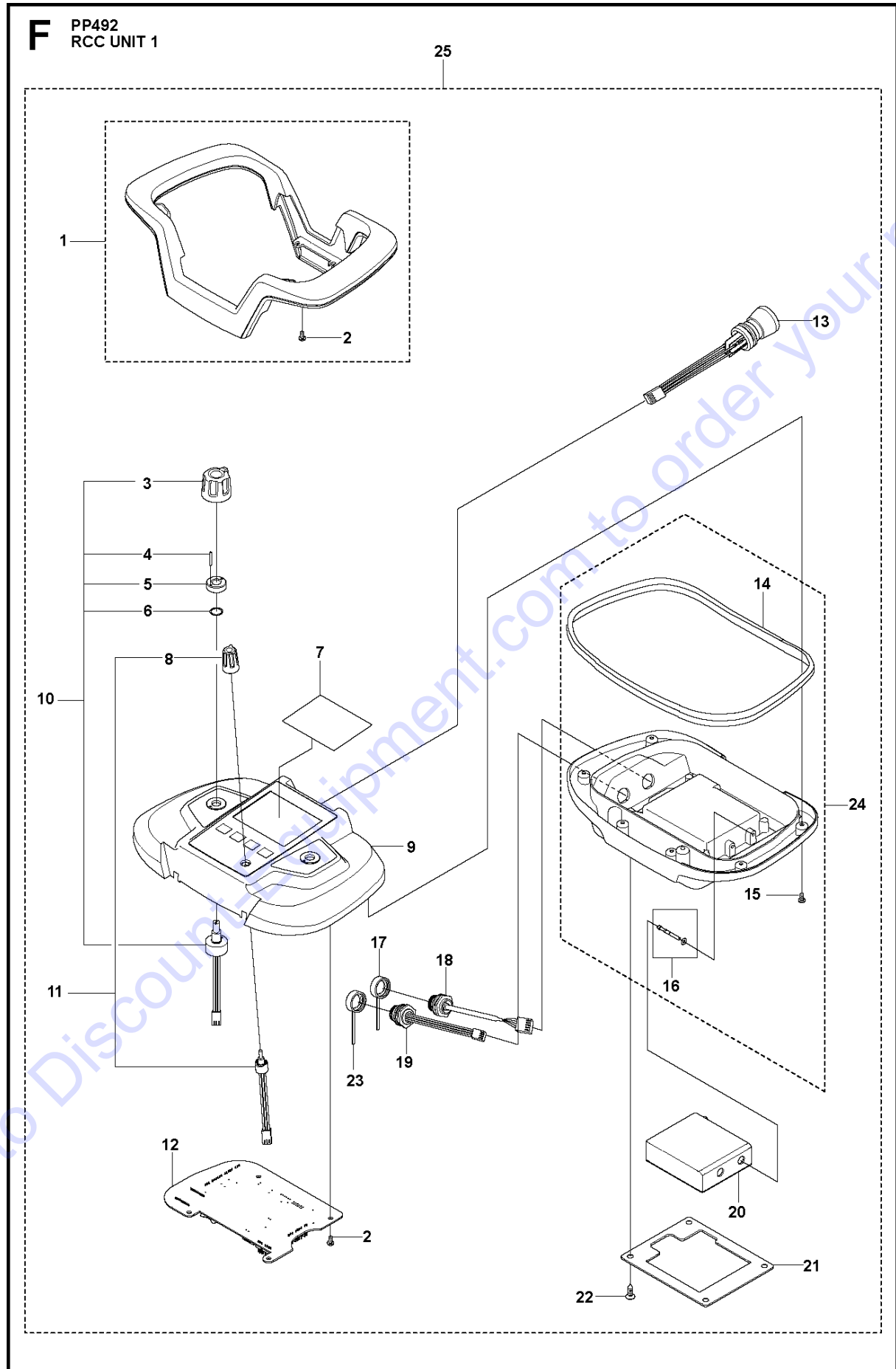
**E** PP492  
CABLES



Ref	Part No	Description	Remark	QTY KIT
1	582 17 03-01	WIRING ASSY		1
2	587 11 30-01	CABLE ASSY		1
3	505 52 77-02	CABLE KIT		1
4	505 52 78-01	CABLE KIT		1
5	596 87 26-01	RECEPTACLE		1
6	587 02 85-01	CABLE ASSY		1
7	587 11 29-01	CABLE ASSY		1

Go to [Discount-Equipment.com](http://Discount-Equipment.com) to order your parts

**F** PP492  
RCC UNIT 1



Go to [DiscountFurniture.com](http://DiscountFurniture.com) to order your parts

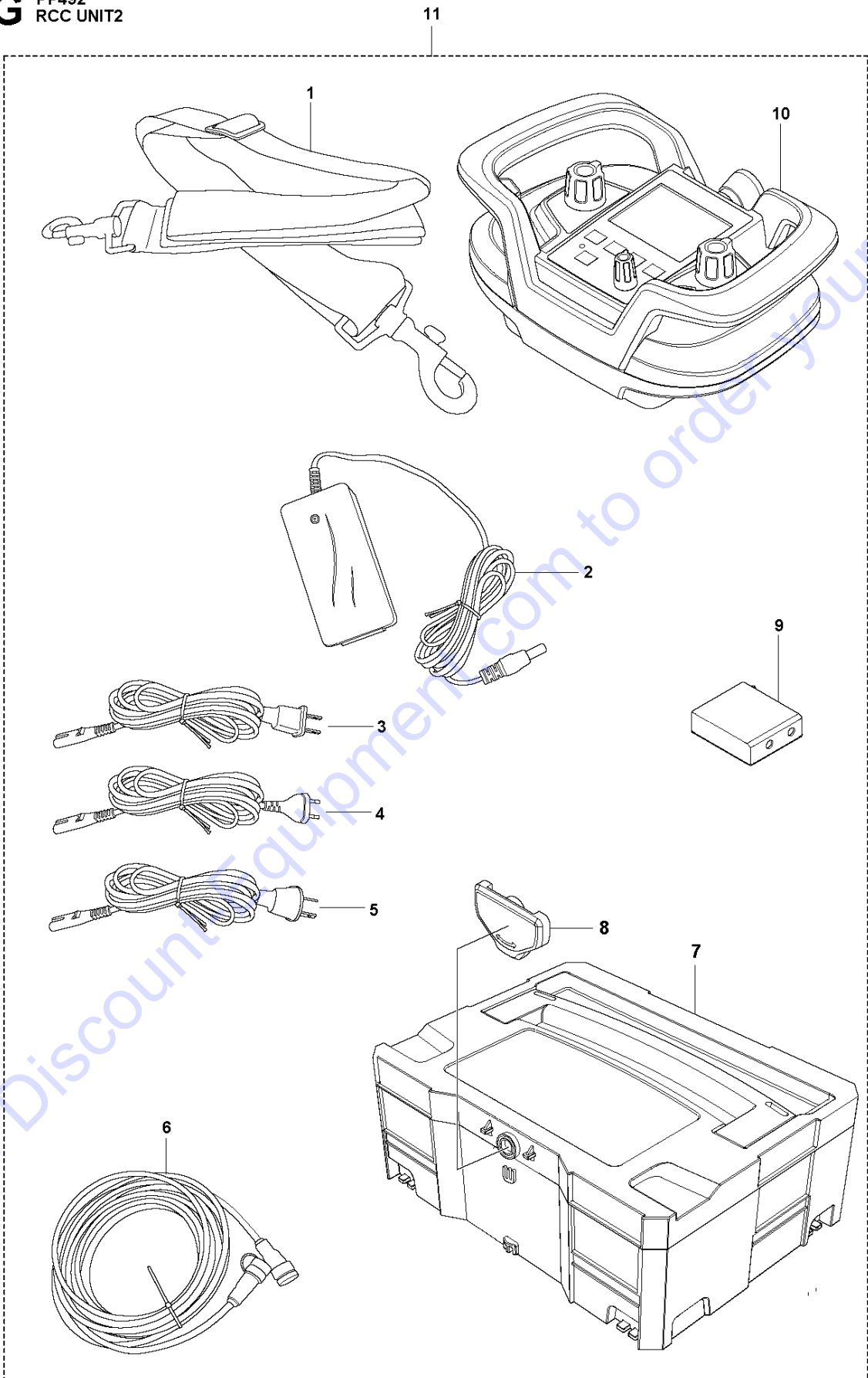
REMOTE CONTROL

PP 492, 2016-01

Ref	Part No	Description	Remark	QTY	KIT
1	576 25 34-01	HANDLE ASSY		1	26
2	578 77 61-01	SCREW ITXPANT		10	1, 26
3	576 25 94-01	TURNING KNOB ASSY		2	26
4	720 11 90-00	PARALLEL PIN		2	26
5	576 26 14-01	NUT		2	26
6	576 26 16-01	O-RING		2	26
7	585 30 68-01	PROTECTION		1	26
8	577 73 55-01	KNOB		1	26
9	585 96 39-01	DISPLAY	Also incl. pos 15	1	26
10	577 70 95-01	CONTROL		2	26
11	577 70 94-01	CONTROL		1	26
12	597 45 01-01	PRINTED CIRCUIT ASSY		1	26
13	576 81 51-01	SWITCH		1	26
14	576 88 80-02	SEALING STRIP		1	25, 26
15	578 77 61-02	SCREW ITXPANT		8	25, 26
16	577 71 10-01	SPRING PIN		2	25, 26
17	575 24 22-01	LID		1	26
18	575 22 93-01	CONTACT	USB	1	26
19	576 87 78-02	CONTACT	CAN	1	26
20	510 10 91-01	BATTERY		1	26
21	510 10 85-01	PLATE		1	26
22	523 00 52-01	SCREW CRCSFT		4	26
23	585 47 86-01	RUBBER PLUG		1	26
24	586 18 04-01	COVER		1	26
25	578 28 48-02	REMOTE CONTROL		1	
26	729 52 55-75	SCREW CRPANT		1	

Go to Discount-Equipment.com to order your parts

**G** PP492  
RCC UNIT2



REMOTE CONTROL ACCESSORIES

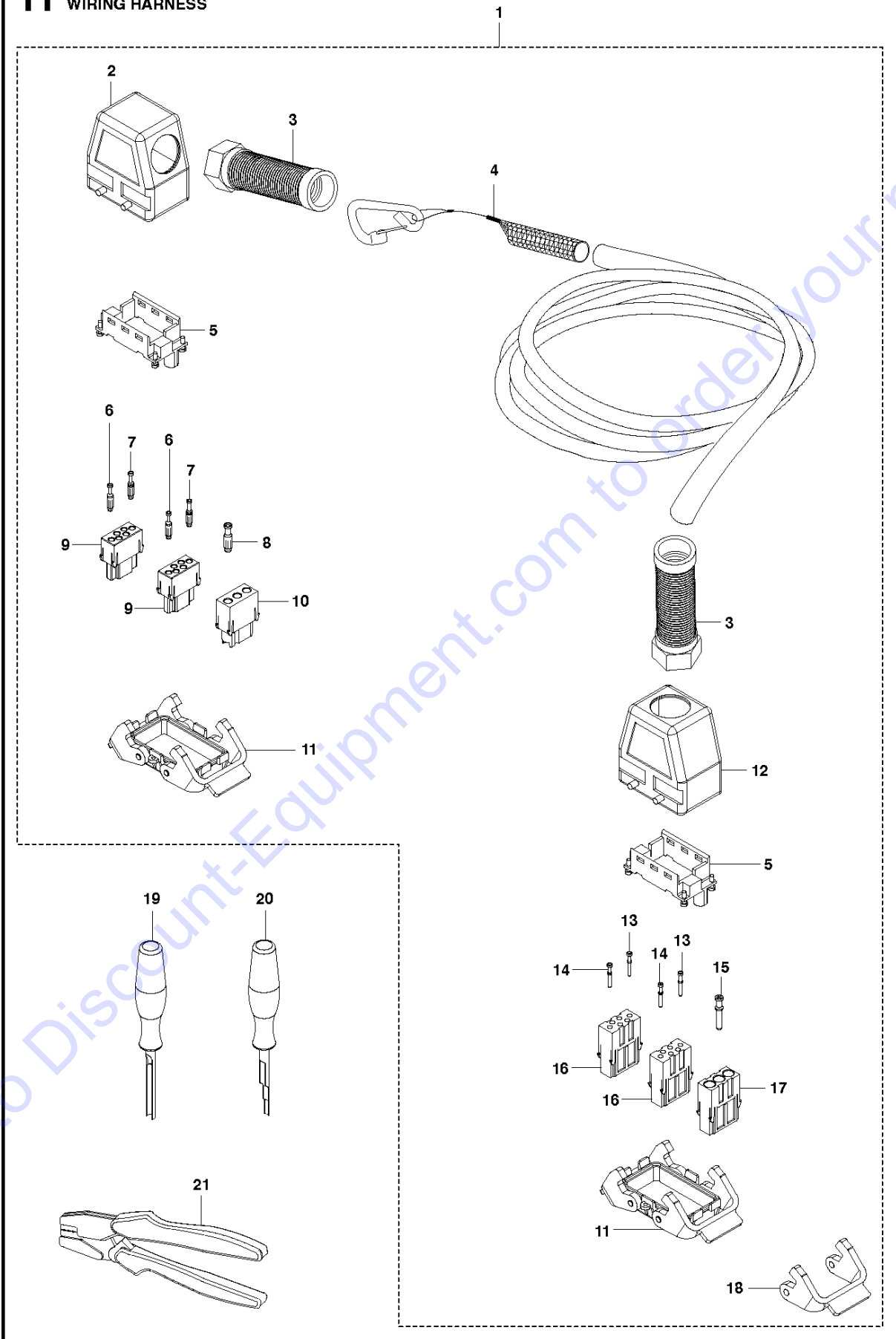
PP 492, 2016-01

Ref	Part No	Description	Remark	QTY	KIT
1	506 29 76-61	SHOULDER STRAP		1	11
2	510 28 03-01	BATTERY		1	11
3	510 28 07-02	CABLE	US	1	11
4	510 28 07-01	CABLE	Eu	1	11
5	510 28 07-04	CABLE	Australia	1	11
6	577 05 99-02	CABLE ASSY		1	11
7	587 18 97-01	BOX		1	11
8	582 82 02-01	LOCK		1	11
9	510 10 91-01	BATTERY		1	11
10	578 28 48-02	REMOTE CONTROL		1	11
11	586 11 50-01	CONTROL UNIT	Incl. 1 - 10	1	

Go to [Discount-Equipment.com](http://Discount-Equipment.com) to order your parts



**H** PP492  
WIRING HARNESS



## WIRING HARNESS

PP 492, 2016-01

Ref	Part No	Description	Remark	QTY KIT	
1	579 16 44-01	CABLE	8m, Incl. 2-18	1	
1	577 41 87-01	CABLE	15m, Incl. 2-18	1	
2	522 93 14-01	COVER		1	1
3	575 95 08-01	CABLE GROMMET		2	1
4	580 76 33-01	CABLE HOLDER		1	1
5	522 93 15-01	FRAME		1	1
6	522 93 18-01	TERMINAL	Female 0,75mm <sup>2</sup>	4	1
7	531 11 73-62	TERMINAL	Female 2,5mm <sup>2</sup>	8	1
8	522 93 17-01	CONTACT	Female 4mm <sup>2</sup>	3	1
9	505 52 87-01	CONSOLE		2	1
10	505 52 88-01	CONSOLE		1	1
11	505 32 70-01	COVER		1	1
12	522 93 20-01	COVER		1	1
13	531 11 73-20	TERMINAL	Male 2,5mm <sup>2</sup>	8	1
14	522 93 08-01	TERMINAL	Male 0,75mm <sup>2</sup>	4	1
15	522 93 22-01	TERMINAL	Male 4mm <sup>2</sup>	3	1
16	522 93 07-01	CONSOLE		2	1
17	522 93 21-01	CONSOLE		1	1
18	505 24 70-01	SHACKLE		4	1
19	522 93 43-01	TOOL	4 mm <sup>2</sup>	1	
20	522 93 44-01	TOOL	0.75-2 mm <sup>2</sup>	1	
21	522 93 41-01	TOOL		1	

Go to Discount-Equipment.com to order your parts

# PARTS FINDER

**Search Website  
by Part Number**



**Search Manual  
Library For Parts  
Manual & Lookup Part  
Numbers – Purchase  
or Request Quote**

**Search Manuals**

Enter your information to help us find the right parts manual for your machine.

\* Brand:

\* Model:

\* Serial:

\* Part Number:

SEARCH

**Can't Find Part or  
Manual? Request Help  
by Manufacturer,  
Model & Description**

**Parts Order Form**

Please fill in the following information to help us find the right part for your machine.

Manufacturer:	<input type="text"/>
Model:	<input type="text"/>
Description:	<input type="text"/>
Part Number:	<input type="text"/>
Quantity:	<input type="text"/>
Notes:	<input type="text"/>

Submit

Discount-Equipment.com is your online resource for quality parts & equipment.

Florida: **561-964-4949** Outside Florida TOLL FREE: **877-690-3101**

**Need parts?**

Click on this link: <http://www.discount-equipment.com/category/5443-parts/> and choose one of the options to help get the right parts and equipment you are looking for. Please have the machine model and serial number available in order to help us get you the correct parts. If you don't find the part on the website or on one of the online manuals, please fill out the request form and one of our experienced staff members will get back to you with a quote for the right part that your machine needs.

We sell worldwide for the brands: Genie, Terex, JLG, MultiQuip, Mikasa, Essick, Whiteman, Mayco, Toro Stone, Diamond Products, Generac Magnum, Airman, Haulotte, Barreto, Power Blanket, Nifty Lift, Atlas Copco, Chicago Pneumatic, Allmand, Miller Curber, Skyjack, Lull, Skytrak, Tsurumi, Husquvarna Target, Stow, Wacker, Sakai, Mi-T-M, Sullair, Basic, Dynapac, MBW, Weber, Bartell, Bennar Newman, Haulotte, Ditch Runner, Menegotti, Morrison, Contec, Buddy, Crown, Edco, Wyco, Bomag, Laymor, EZ Trench, Bil-Jax, F.S. Curtis, Gehl Pavers, Heli, Honda, ICS/PowerGrit, IHI, Partner, Imer, Clipper, MMD, Koshin, Rice, CH&E, General Equipment, Amida, Coleman, NAC, Gradall, Square Shooter, Kent, Stanley, Tamco, Toku, Hatz, Kohler, Robin, Wisconsin, Northrock, Oztec, Toker TK, Rol-Air, APT, Wylie, Ingersoll Rand / Doosan, Innovatech, Con X, Ammann, Mecalac, Makinex, Smith Surface Prep, Small Line, Wanco, Yanmar