



SPARE PARTS LIST

TROWELS

CRT60-74LX, 970461801, 2020-02

Go to Discount-Equipment.com to order your parts



PARTS FINDER

**Search Website
by Part Number**



**Search Manual
Library For Parts
Manual & Lookup Part
Numbers – Purchase
or Request Quote**

Search Manuals

Enter your information to search for a manual or to purchase a manual or parts.

* Brand:

* Model:

* Serial:

* Part Number:

SEARCH

**Can't Find Part or
Manual? Request Help
by Manufacturer,
Model & Description**

Parts Order Form

Please fill in the following information:

Manufacturer:

Model:

Description:

Quantity:

Part Number:

Part Name:

Part Description:

Part Category:

Part Location:

Part Status:

Part Condition:

Part Material:

Part Color:

Part Weight:

Part Dimensions:

Part Price:

Part Notes:

Submit

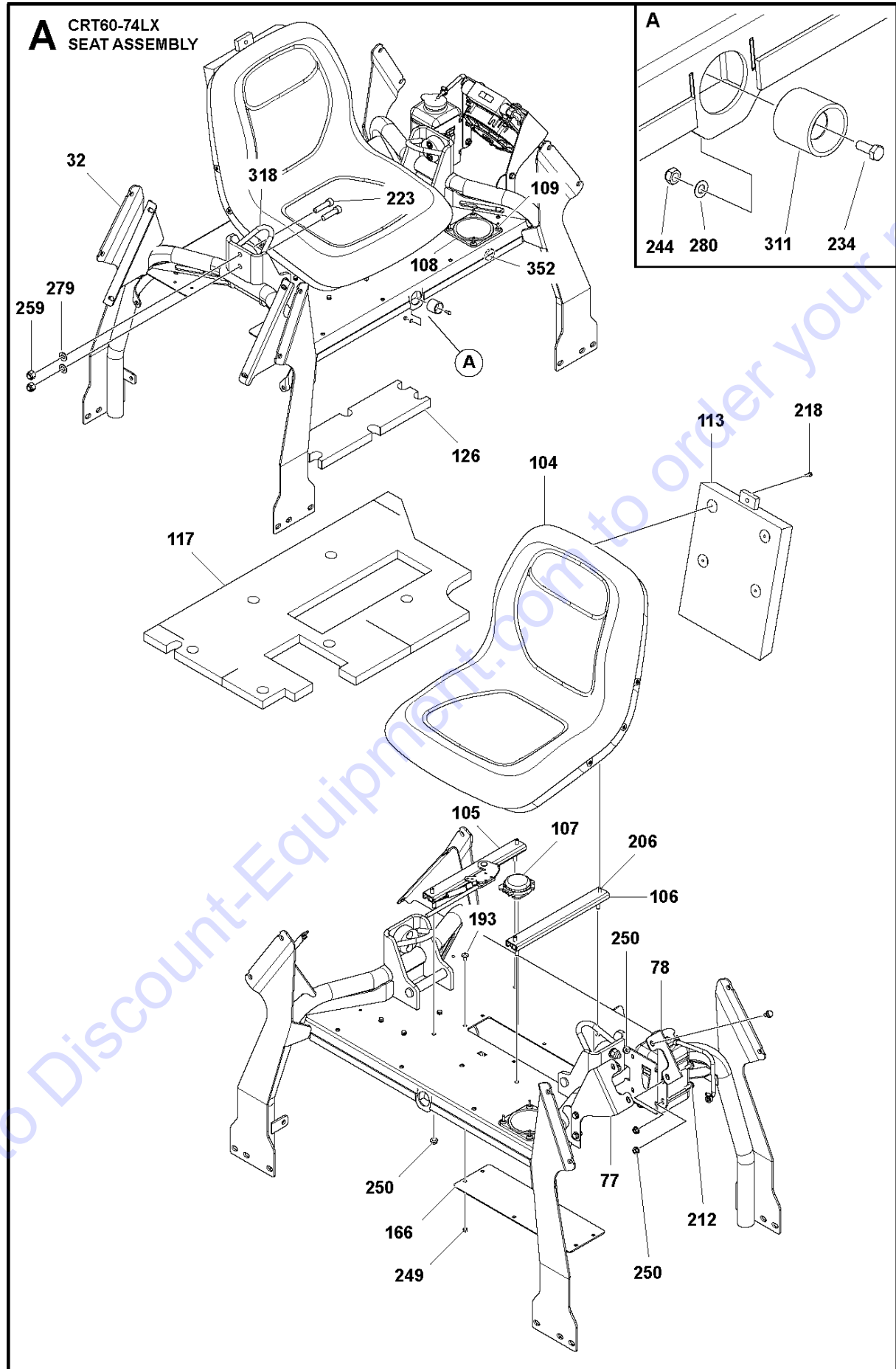
Discount-Equipment.com is your online resource for quality parts & equipment.

Florida: **561-964-4949** Outside Florida TOLL FREE: **877-690-3101**

Need parts?

Click on this link: <http://www.discount-equipment.com/category/5443-parts/> and choose one of the options to help get the right parts and equipment you are looking for. Please have the machine model and serial number available in order to help us get you the correct parts. If you don't find the part on the website or on one of the online manuals, please fill out the request form and one of our experienced staff members will get back to you with a quote for the right part that your machine needs.

We sell worldwide for the brands: Genie, Terex, JLG, MultiQuip, Mikasa, Essick, Whiteman, Mayco, Toro Stone, Diamond Products, Generac Magnum, Airman, Haulotte, Barreto, Power Blanket, Nifty Lift, Atlas Copco, Chicago Pneumatic, Allmand, Miller Curber, Skyjack, Lull, Skytrak, Tsurumi, Husquvarna Target, Stow, Wacker, Sakai, Mi-T-M, Sullair, Basic, Dynapac, MBW, Weber, Bartell, Bennar Newman, Haulotte, Ditch Runner, Menegotti, Morrison, Contec, Buddy, Crown, Edco, Wyco, Bomag, Laymor, EZ Trench, Bil-Jax, F.S. Curtis, Gehl Pavers, Heli, Honda, ICS/PowerGrit, IHI, Partner, Imer, Clipper, MMD, Koshin, Rice, CH&E, General Equipment, Amida, Coleman, NAC, Gradall, Square Shooter, Kent, Stanley, Tamco, Toku, Hatz, Kohler, Robin, Wisconsin, Northrock, Oztec, Toker TK, Rol-Air, APT, Wylie, Ingersoll Rand / Doosan, Innovatech, Con X, Ammann, Mecalac, Makinex, Smith Surface Prep, Small Line, Wanco, Yanmar



SEAT ASSY

CRT60-74LX, 970461801, 2020-02

Ref	Part No	Description	Remark	QTY KIT
32	599 05 55-01	FRAME		1
77	599 11 71-01	BRACKET		1
78	599 11 72-01	BRACKET		1
104	599 10 41-01	SEAT		1
105	599 02 64-01	BRACKET		1
106	599 04 09-01	BRACKET		1
107	599 02 69-01	SWITCH		1
108	598 99 29-01	INSERT		1
109	599 16 79-01	RIVET		4
113	598 98 85-01	HOLDER		1
117	599 11 68-01	INSULATOR		1
126	599 11 42-01	INSULATOR		1
166	599 11 43-01	PLATE		1
193	505 15 61-01	SCREW	M6 x 16	6
206	725 54 49-01	SCREW IHSCM	M8 x 16, 25Nm/18ft.lbs	4
212	506 57 01-03	SCREW EHHFM	M8 x 16, 25Nm/18ft.lbs	2
218	599 16 91-01	SCREW		4
223	599 17 47-01	SCREW	1/2 x 2,00"	4
234	725 23 27-71	SCREW EHHM	M5 x 12, 6Nm/4ft.lbs	1
244	732 21 14-01	LOCK NUT		1
249	531 20 84-91	NUT	M6	6
250	576 64 57-04	NUT FLANGE	M8	7
259	587 65 39-03	NUT	1/2-20"	4
279	599 16 63-01	WASHER		4
280	734 11 46-01	WASHER		2
311	599 07 06-01	LATCH		1
318	599 10 76-01	RING		2
352	599 51 28-01	GROMMET		1

Go to Discount-Equipment.com to order your parts

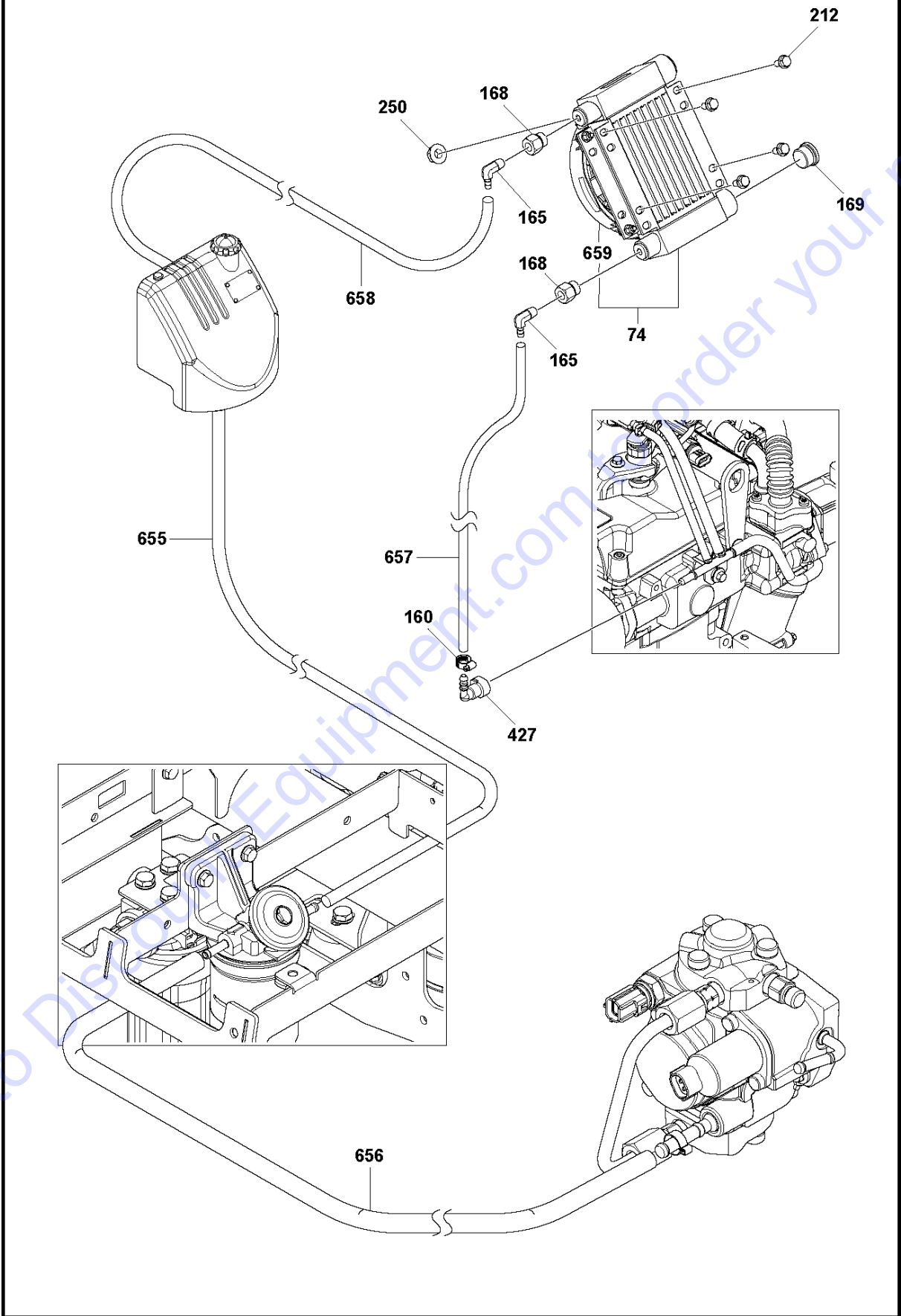
TANKS & WATER LINE

CRT60-74LX, 970461801, 2020-02

Ref	Part No	Description	Remark	QTY KIT
101	599 03 02-01	CAP		1
102	599 10 48-01	BRACKET		2
110	599 13 14-02	TANK		2
111	599 11 24-01	CAP		1
114	599 07 99-01	GAUGE	14"	1
122	598 98 92-01	BUSHING		1
125	599 07 10-01	PLUG		1
154	599 06 16-01	PUMP		1
155	599 06 18-01	SCREEN		1
156	599 06 17-01	VALVE		1
157	598 99 41-01	FITTING		2
158	598 99 40-01	JET		2
159	598 99 39-01	ELBOW		2
160	599 16 17-01	CLAMP	0,21-0,63	3
161	598 99 88-01	VALVE		2
162	599 16 90-01	FITTING		1
163	598 99 04-01	BUSHING		4
205	725 23 29-71	SCREW EHHM	M5 x 16, 6Nm/4ft.lbs	2
212	506 57 01-03	SCREW EHHFM	M8 x 16, 25Nm/18ft.lbs	8
217	599 17 09-01	SCREW	M6 x 10	8
244	732 21 14-01	LOCK NUT		2
327	599 11 77-01	FITTING		1
336	599 11 78-01	VALVE	5/16"	1
345	599 02 12-01	FITTING		1
650	598 99 42-04	HOSE	3/8 x 13"	1
651	598 99 42-03	HOSE	3/8 x 11"	1
652	598 99 42-05	HOSE	3/8 x 17"	1
653	598 99 42-06	HOSE	3/8 x 35"	1
654	598 99 42-02	HOSE	3/8 x 3"	1

Go to Discount-Equipment.com to order your parts

C CRT60-74LX
FUEL HOSE ROUTING & FUEL COOLER

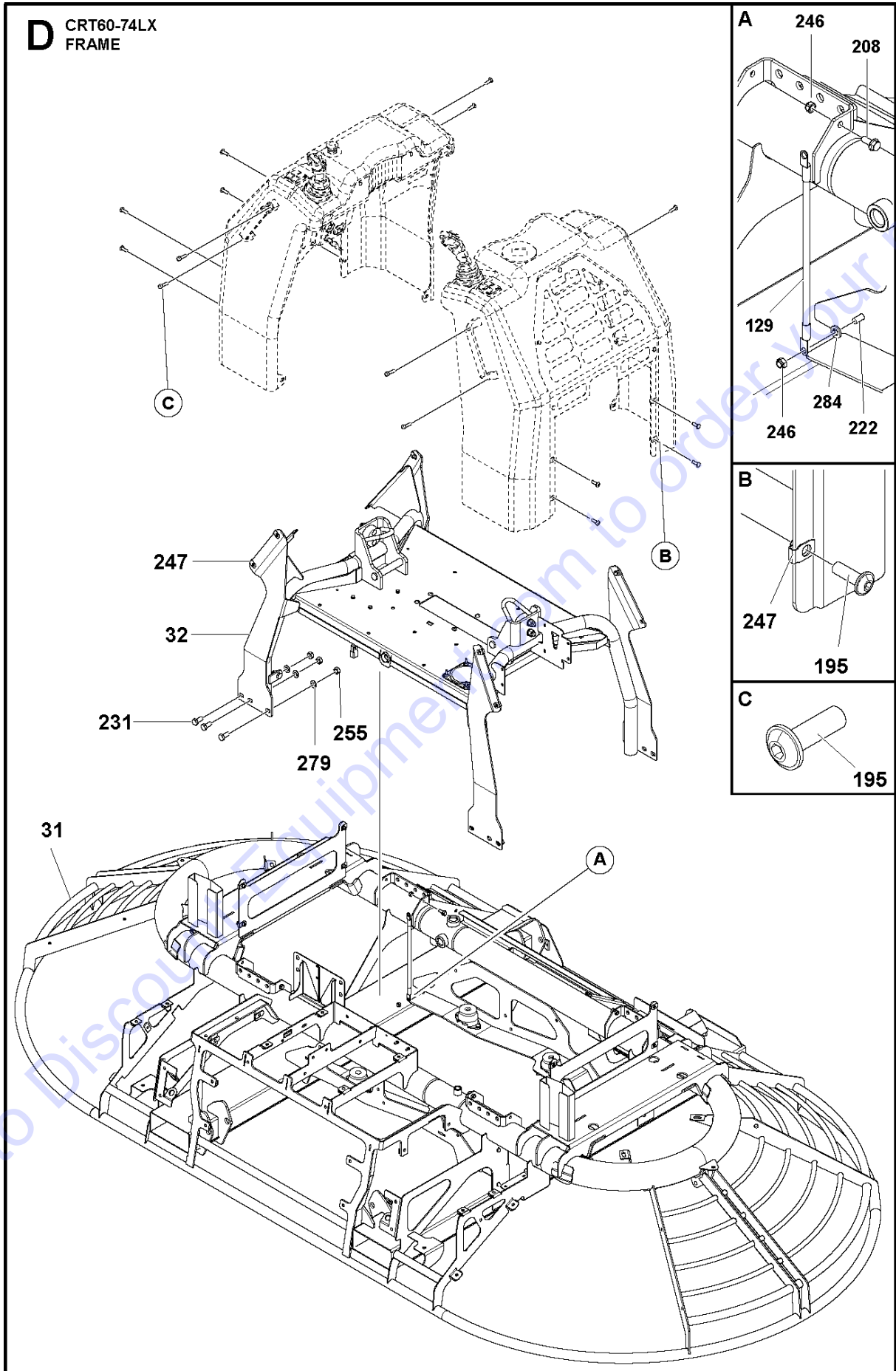


FUEL HOSE ROUTING & FUEL COOLER

CRT60-74LX, 970461801, 2020-02

Ref	Part No	Description	Remark	QTY	KIT
74	599 08 39-01	RADIATOR		1	
160	599 16 17-01	CLAMP	0,21-0,63	1	
165	599 06 23-01	FITTING	5/16 x 1/4" x 90 NPT	2	
168	599 11 79-01	FITTING	#8 x 1/4"	2	
169	599 11 80-01	PLUG	#12	2	
212	506 57 01-03	SCREW EHHFM	M8 x 16, 25Nm/18ft.lbs	4	
250	576 64 57-04	NUT FLANGE	M8	4	
427	598 98 58-01	FITTING	5/16"	1	
655	599 11 85-04	HOSE	5/16 x 64"	1	
656	599 11 85-02	HOSE	5/16 x 33"	1	
657	599 11 85-03	HOSE	5/16 x 47"	1	
658	599 11 85-05	HOSE	5/16 x 75"	1	
659	599 51 75-01	MOTOR	12V	1	74

Go to Discount-Equipment.com to order your parts



FRAME

CRT60-74LX, 970461801, 2020-02

Ref	Part No	Description	Remark	QTY KIT
31	599 11 73-01	FRAME		1
32	599 05 55-01	FRAME		1
129	598 99 54-01	CABLE	13"	1
195	599 17 11-01	SCREW	M8 x 25	11
208	506 57 01-04	SCREW EHHFM	M8 x 20, 25Nm/18ft.lbs	4
222	725 24 51-01	SCREW		1
231	585 23 59-01	SCREW EHHFM	M12 x 25, 86Nm/63ft.lbs, ISO 4017	12
246	522 91 94-01	LOCK NUT	M8, DIN985	4
247	599 16 38-01	LOCK NUT	M8	15
255	732 25 22-71	HEXAGON LOCKING NUT	M12	12
279	599 16 63-01	WASHER		12
284	599 16 75-01	LOCKWASHER	M10	1

Go to Discount-Equipment.com to order your parts

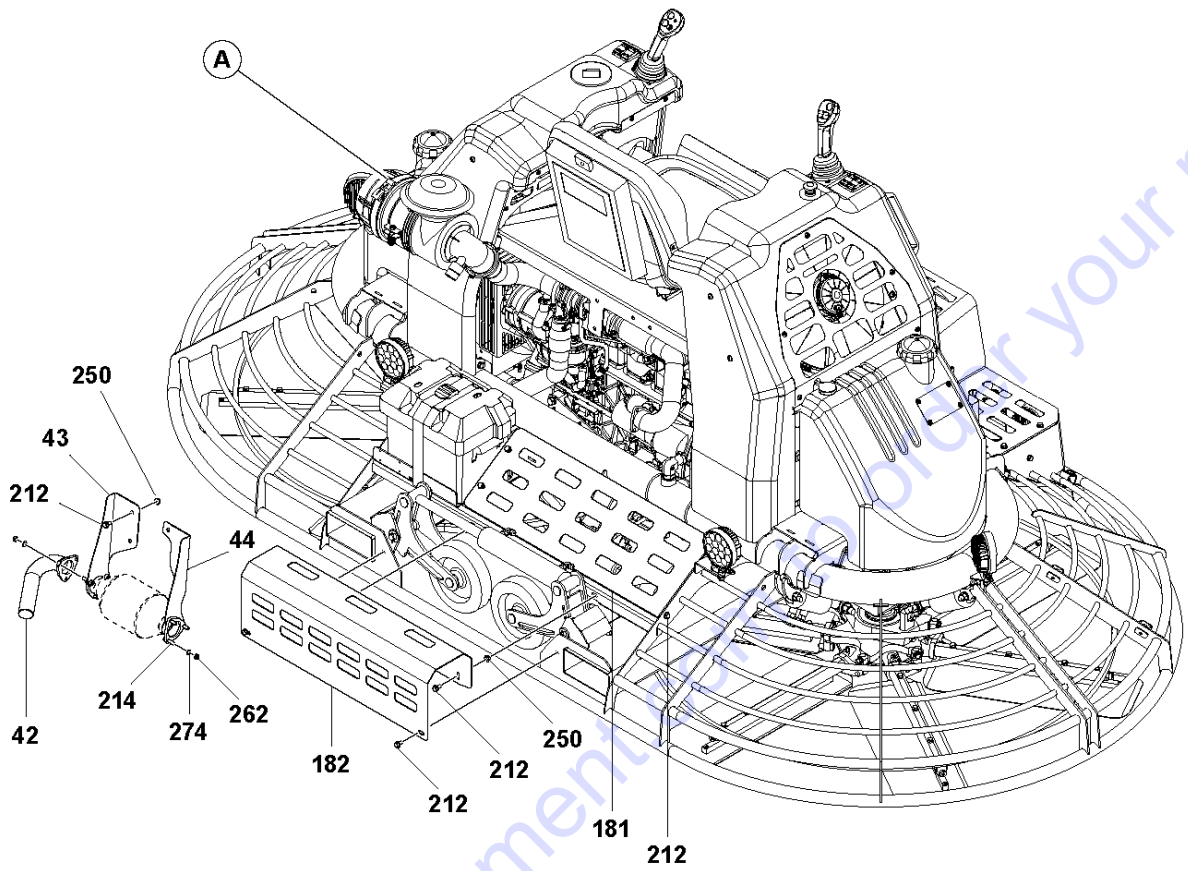
FRONT PANEL

CRT60-74LX, 970461801, 2020-02

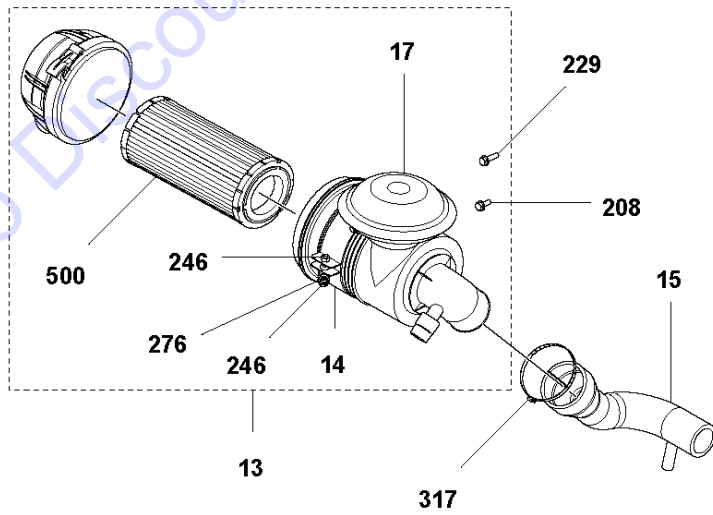
Ref	Part No	Description	Remark	QTY KIT
33	599 06 00-01	GUARD		1
34	599 06 61-01	GUARD		1
79	599 51 32-01	CONNECTOR	66 pin	1
86	598 98 55-01	MOUNT		4
95	599 07 97-01	PLATE		1
97	599 08 17-01	UNIT		1
123	599 08 38-01	INSULATION		1
137	598 98 53-01	THROTTLE		1
172	599 07 90-01	MOUNT		1
173	599 11 47-01	PANEL		1
178	599 13 06-02	PLATE		1
179	599 13 04-02	PLATE		1
183	599 07 80-01	GRILLE		1
184	599 07 79-01	GRILLE		1
198	599 16 82-01	SCREW	M4 x 14, ISO 4017	2
212	506 57 01-03	SCREW EHHFM	M8 x 16, 25Nm/18ft.lbs	24
219	725 24 93-71	SCREW EHHM	M10 x 25, 49Nm/36ft.lbs, ISO 4017	2
222	725 24 51-01	SCREW		2
224	725 24 59-51	SCREW EHHM	M8 x 40, 25Nm/18ft.lbs, ISO 4014	8
234	725 23 27-71	SCREW EHHM	M5 x 12, 6Nm/4ft.lbs, ISO 4017	1
235	579 56 61-01	SCREW	M8 x 16	8
236	593 16 74-01	SCREW	M5 x 25, 6Nm/4ft.lbs, ISO 4017	2
240	599 51 77-01	SCREW	M6 x 25	3
241	725 24 47-51	SCREW		2
243	732 21 20-51	NUT	M10, ISO 7042	4
244	732 21 14-01	LOCK NUT		3
245	599 15 98-01	LOCK NUT		2
246	522 91 94-01	LOCK NUT	M8, DIN985	10
249	531 20 84-91	NUT	M6, DIN985	3
250	576 64 57-04	NUT FLANGE	M8	4
254	593 35 64-01	NUT	M6	12
271	734 11 72-01	WASHER		4
276	734 11 65-41	WASHER		8
280	734 11 46-01	WASHER		3
293	725 23 68-51	SCREW		4
310	599 01 52-01	HINGE		2
311	599 07 06-01	LATCH		3
292	599 34 33-01	SCREW		1

Go to Discount-Equipment.com to order your parts

F CRT60-74LX
AIR CLEANER & REAR PANEL



A



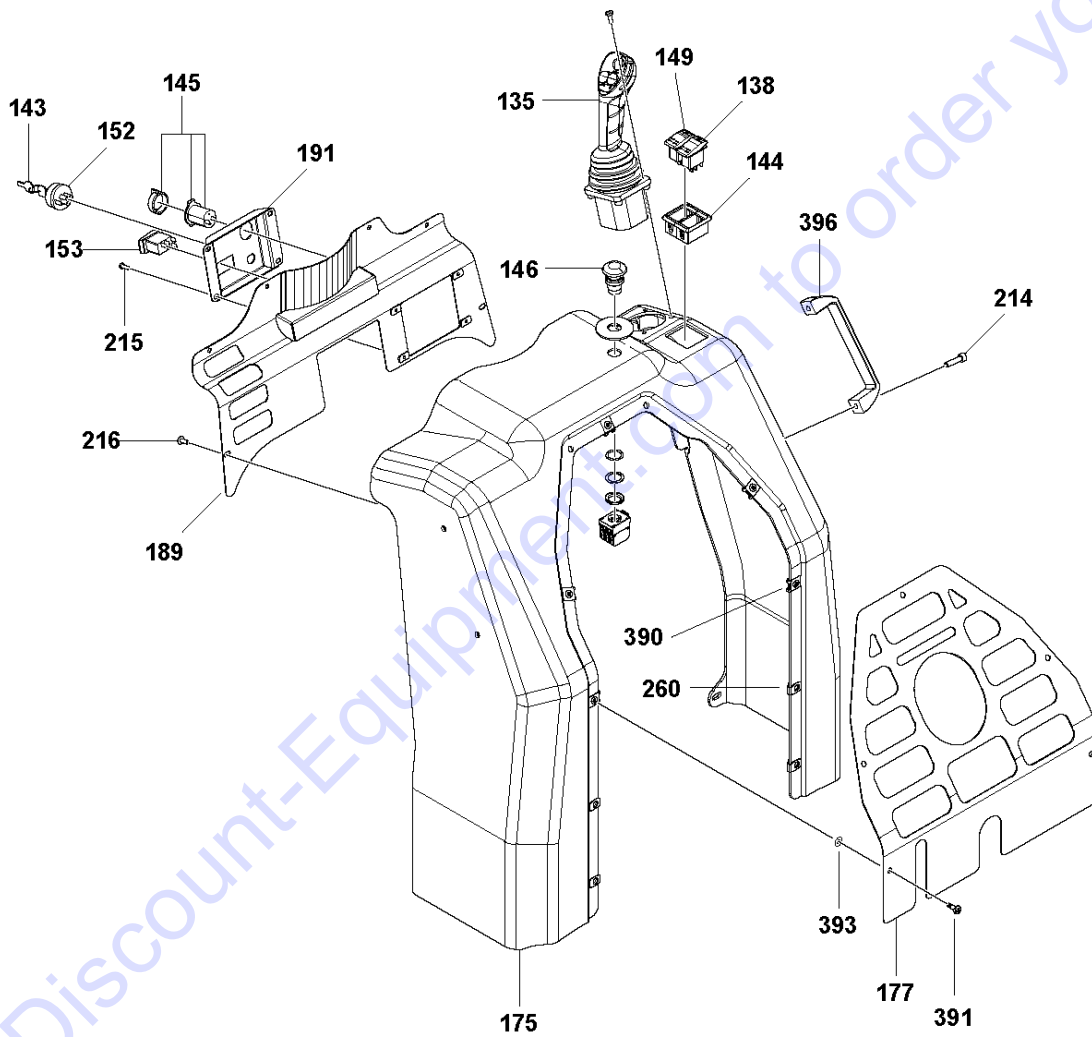
AIR CLEANER & REAR PANEL

CRT60-74LX, 970461801, 2020-02

Ref	Part No	Description	Remark	QTY	KIT
13	599 07 14-01	FILTER		1	
14	599 07 15-01	BRACKET		1	13
15	599 07 93-01	HOSE		1	
17	599 07 16-01	HOOD		1	
42	599 11 26-01	PIPE		1	13
43	599 07 95-01	BRACKET		1	
44	599 07 96-01	BRACKET		1	
181	599 10 66-01	PLATE		1	
182	599 10 67-01	PLATE		1	
208	506 57 01-04	SCREW EHHFM	M8 x 20, 25Nm/18ft.lbs	1	13
212	506 57 01-03	SCREW EHHFM	M8 x 16, 25Nm/18ft.lbs	11	
214	725 54 55-01	SCREW IHSCM		6	
229	585 97 28-01	SCREW EHHFM	M8 x 30, 25Nm/18ft.lbs	1	13
246	522 91 94-01	LOCK NUT	M8, DIN985	2	13
274	734 11 63-01	WASHER		6	
250	576 64 57-04	NUT FLANGE	M8	6	
262	731 23 18-01	HEXAGON NUT		6	
276	734 11 65-41	WASHER		2	13
317	599 16 41-01	CLAMP	1,56-2,50	1	
500	599 51 72-01	AIR CLEANER		1	13

Go to Discount-Equipment.com to order your parts

G CRT60-74LX
RIGHT SIDE SHELL



Go to Discount-Equipment.com to order your parts

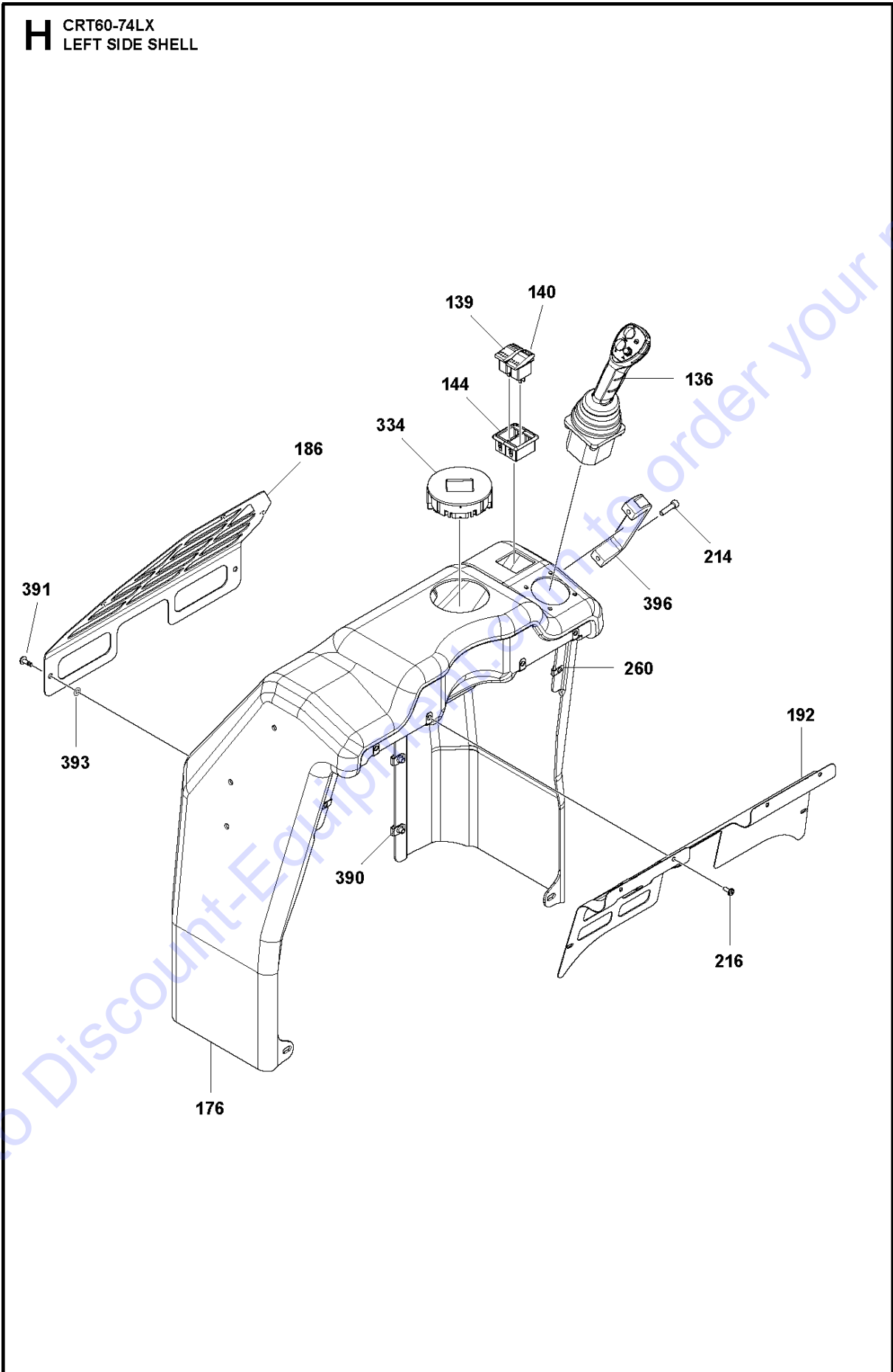
RIGHT SIDE SHELL

CRT60-74LX, 970461801, 2020-02

Ref	Part No	Description	Remark	QTY KIT
135	599 06 62-01	JOYSTICK		1
138	599 08 57-01	SWITCH		1
143	599 16 42-01	KEY		1
144	599 06 92-01	HOUSING		2
145	599 06 28-01	RECEPTACLE		1
146	599 03 97-01	SWITCH		1
149	599 08 58-01	SWITCH		1
152	599 00 27-01	SWITCH		1
153	599 11 40-01	SWITCH		1
175	599 11 39-01	HOUSING		1
177	599 08 16-01	PANEL		1
189	599 08 02-01	PANEL		1
191	599 11 67-01	BRACKET		1
214	725 54 55-01	SCREW IHSCM		4
215	599 17 63-01	SCREW		4
216	599 17 38-01	SCREW	M6 x 16	6
260	599 16 68-01	LOCK NUT	M6	6
390	599 17 58-01	RECEPTACLE		6
391	599 17 59-01	SCREW		6
393	599 17 60-01	RETAINER RING		6
396	599 06 93-01	HANDLE		2

Go to Discount-Equipment.com to order your parts

H CRT60-74LX
LEFT SIDE SHELL



Go to Discount-Equipment.com to order your parts

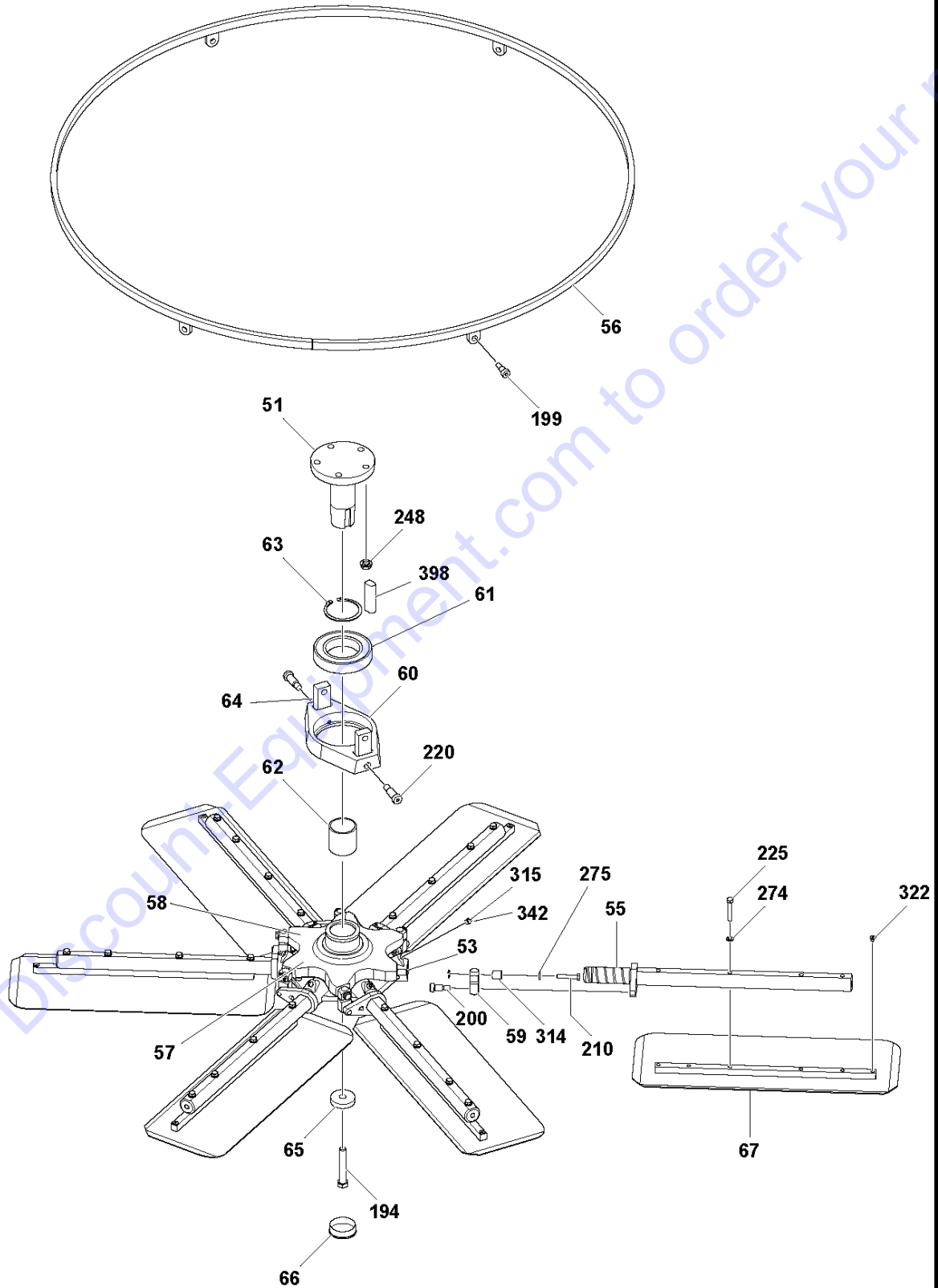
LEFT SIDE SHELL

CRT60-74LX, 970461801, 2020-02

Ref	Part No	Description	Remark	QTY KIT
136	599 06 63-01	JOYSTICK		1
139	599 06 64-01	SWITCH		1
140	599 07 08-01	SWITCH		1
144	599 06 92-01	HOUSING		1
176	599 08 01-01	HOUSING	Left, Display side	1
186	599 11 82-01	PLATE		1
192	599 11 81-01	PANEL		1
214	725 54 55-01	SCREW IHSCM		4
216	599 17 38-01	SCREW	M6 x 16	6
260	599 16 68-01	LOCK NUT	M6	6
334	599 07 82-01	INDICATOR		1
390	599 17 58-01	RECEPTACLE		6
391	599 17 59-01	SCREW		6
393	599 17 60-01	RETAINER RING		6
396	599 06 93-01	HANDLE		2

Go to Discount-Equipment.com to order your parts

J CRT60-74LX
BLADES, RIGHT & LEFT



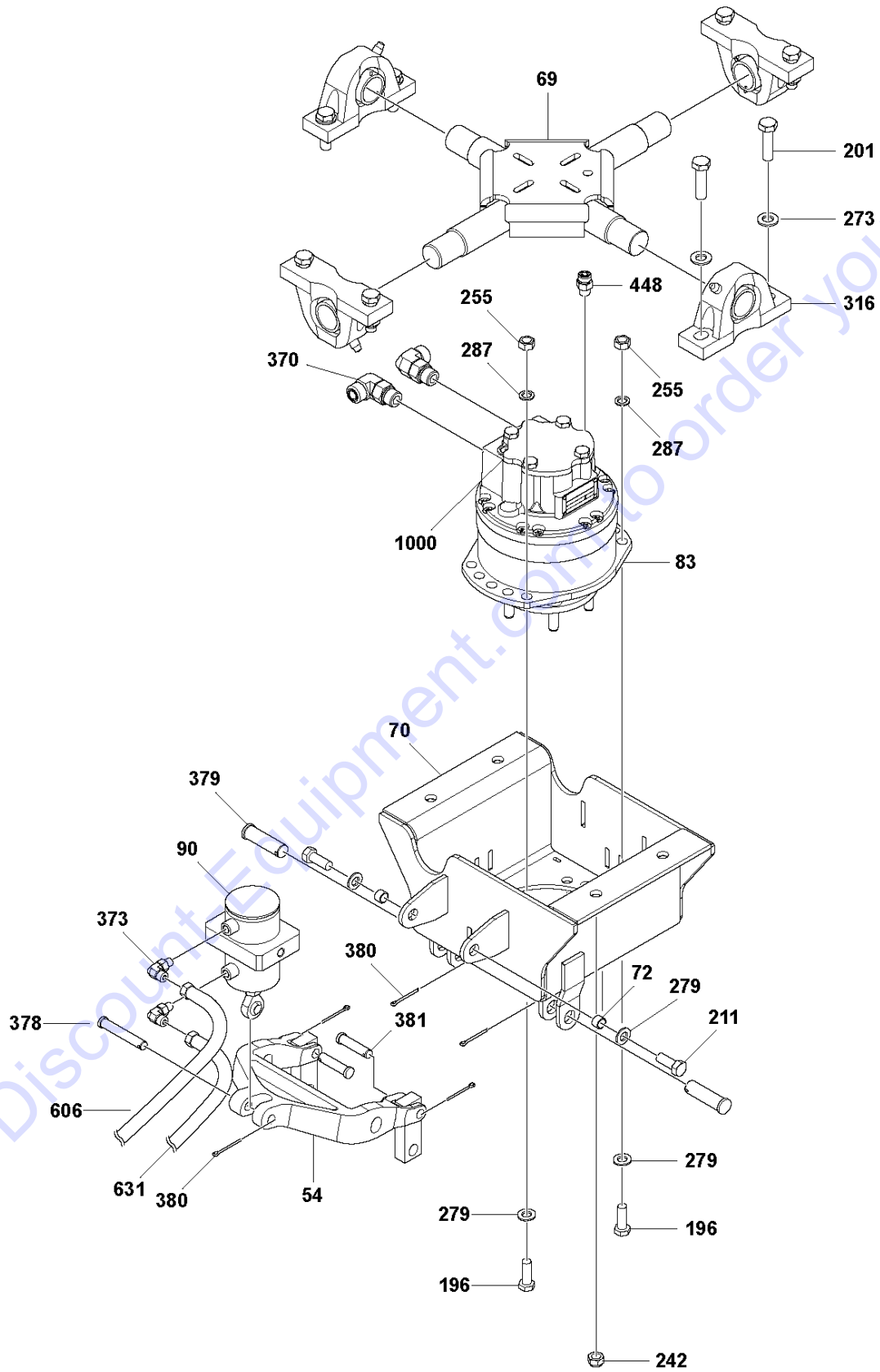
BLADE MECHANISM, RIGHT & LEFT

CRT60-74LX, 970461801, 2020-02

Ref	Part No	Description	Remark	QTY KIT
51	599 06 29-01	SHAFT		1
53	599 05 86-01	HUB		1
55	599 05 97-01	SHAFT		6
56	599 01 49-01	RING		1
57	599 01 43-01	RING		1
58	599 01 44-01	RING		1
59	598 99 33-01	LINK		6
60	599 01 46-01	HOLDER		1
61	599 05 49-01	BEARING		1
62	599 17 43-01	BUSHING		1
63	599 17 44-01	RETAINER RING		1
64	599 05 50-01	LINK		2
65	599 06 30-01	WASHER		1
66	599 05 51-01	PLUG		1
67	598 93 07-02	BLADE SET		4
194	599 17 73-01	SCREW	M14 X 90, 188Nm/139ft.lbs	1
199	599 16 30-01	SCREW	3/8-16 x 1-3/8in, 18Nm/13ft.lbs	6
200	599 16 50-01	SCREW	1/2 x 3/4in, 18Nm/13ft.lbs	6
210	599 16 59-01	SCREW	M8 x 45, 18Nm/13ft.lbs	6
220	599 17 62-01	SCREW	85Nm/63ft.lbs	2
225	596 32 08-01	SCREW	5/16-18 x 2in, 18Nm/13ft.lbs	24
248	599 17 52-01	NUT	176Nm/130ft.lbs	5
274	734 11 63-01	WASHER		18
275	599 16 19-01	LOCKWASHER	8,DIN6796	12
279	599 16 63-01	WASHER	13	5
314	599 06 94-01	SPACER		6
315	599 16 21-01	FITTING	AM10, DIN71412	6
322	599 16 34-01	PLUG		6
342	599 16 92-01	CAP		6
398	599 17 61-01	KEY	10 x 8 x 48	1

Go to Discount-Equipment.com to order your parts

K CRT60-74LX
DRIVE MOTOR HOUSING, RIGHT



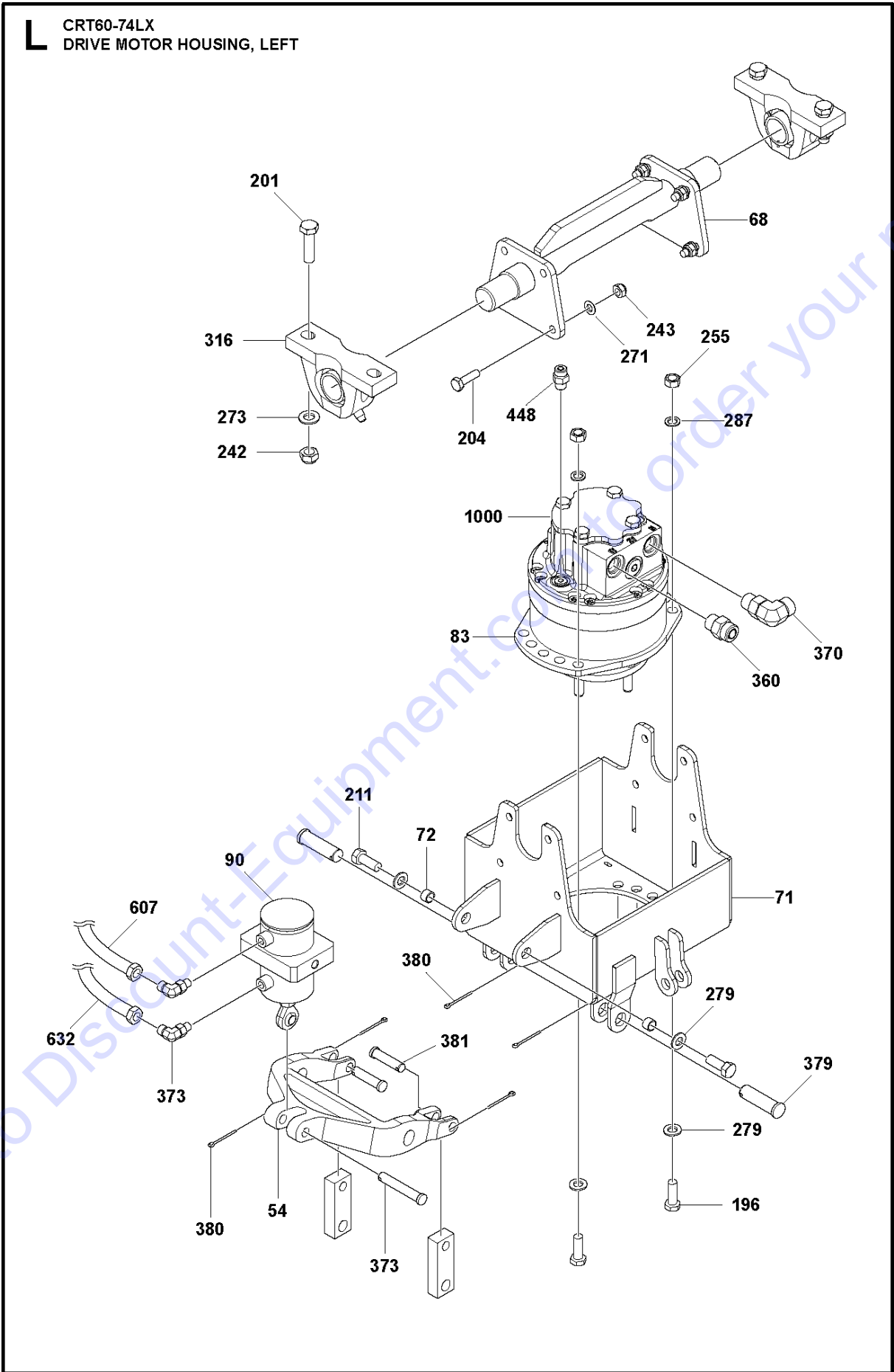
DRIVE MOTOR HOUSING, RIGHT

CRT60-74LX, 970461801, 2020-02

Ref	Part No	Description	Remark	QTY KIT
54	599 05 03-01	YOKE		1
69	599 08 05-01	UNIT		1
70	599 06 81-01	HOUSING		1
72	599 10 40-01	SPACER		2
83	599 07 85-01	MOTOR		1
90	599 06 89-01	CYLINDER		1
196	599 16 11-01	SCREW	M12 x 35, 120Nm/89ft.lbs, ISO 4017	10
201	597 97 91-01	SCREW	M14 x 50, 99Nm/73ft.lbs, ISO 4017	8
211	596 43 53-01	BOLT	1/2-13 x 1.25in, 36Nm/27ft.lbs	2
242	598 55 65-01	NUT	M14, ISO 7035	8
255	732 25 22-71	HEXAGON LOCKING NUT	M12	10
273	599 16 57-01	WASHER	M14, ISO 7090	8
279	599 16 63-01	WASHER	13	10
287	734 11 77-71	WASHER	13	10
316	598 99 45-01	BEARING		4
370	598 99 74-01	FITTING	No.10 ORB X No.10 ORFS, 18Nm/13ft.lbs	2
373	598 99 07-01	FITTING	SAE No.4 x 90	2
378	599 17 53-01	PIN		1
379	599 17 54-01	PIN		2
380	599 16 49-01	PIN	1/8 x 1-1/2"	2
381	599 16 53-01	PIN	1/2 x 2"	2
448	598 98 74-01	FITTING	55Nm/41ft.lbs	1
606	599 50 06-01	HOSE	33.00"	1
631	599 50 14-02	HOSE	33.00"	1
1000	599 51 73-01	SEAL KIT	Seal KIT Drive motor CRT60	1

Go to Discount-Equipment.com to order your parts

L CRT60-74LX
DRIVE MOTOR HOUSING, LEFT



DRIVE MOTOR HOUSING, LEFT

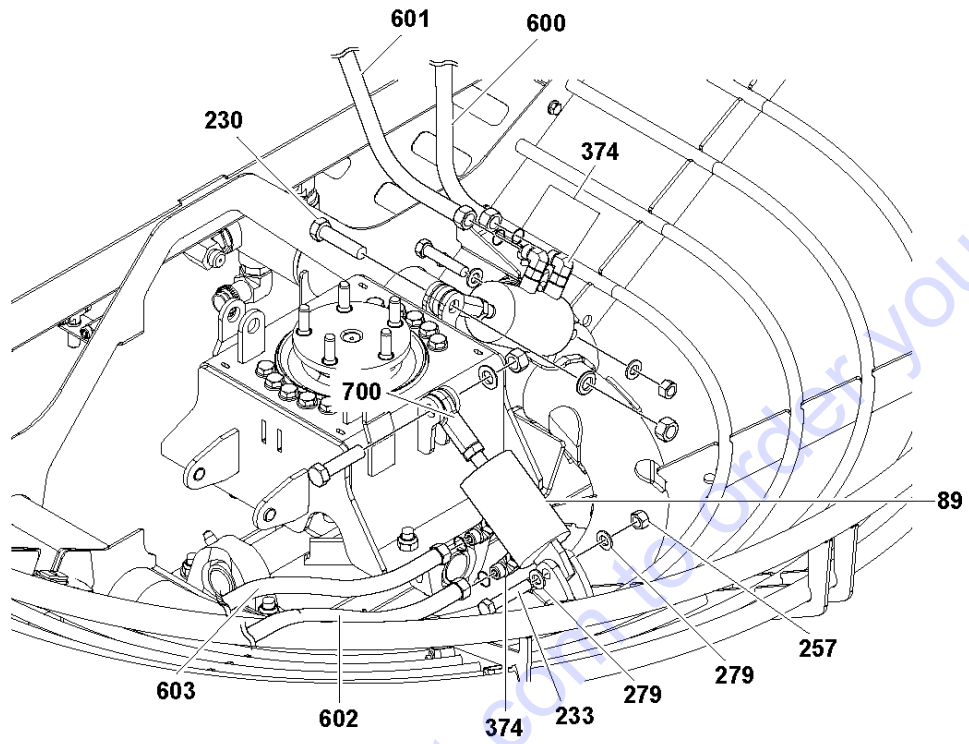
CRT60-74LX, 970461801, 2020-02

Ref	Part No	Description	Remark	QTY KIT
54	599 05 03-01	YOKE		1
68	599 08 09-01	PIVOT	Left	1
71	599 06 84-01	HOUSING		1
72	599 10 40-01	SPACER		2
83	599 07 85-01	MOTOR		1
90	599 06 89-01	CYLINDER		1
196	599 16 11-01	SCREW	M12 x 35, 120Nm/89ft.lbs, ISO 4017	10
201	597 97 91-01	SCREW	M14 x 50, 135Nm/100ft.lbs,ISO 4017	4
204	725 24 97-51	SCREW	M10 x 35, 49Nm/36ft.lbs, ISO 4017	6
211	596 43 53-01	BOLT	1/2-13 x 1.25"	2
242	598 55 65-01	NUT	M14, ISO 7035	4
243	732 21 20-51	NUT	M10, ISO 7042	6
255	732 25 22-71	HEXAGON LOCKING NUT	M12	10
271	734 11 72-01	WASHER		6
273	599 16 57-01	WASHER	M14, ISO 7090	4
279	599 16 63-01	WASHER	13	12
287	734 11 77-71	WASHER	13	10
316	598 99 45-01	BEARING		2
360	599 07 04-01	FITTING	No.10 ORF xNo.10 ORB	1
370	598 99 74-01	FITTING	No.10 ORB xNo.10 ORFS	1
373	598 99 07-01	FITTING	SAE No.4 x 90	2
381	599 17 53-01	PIN		4
379	599 17 54-01	PIN		2
380	599 16 49-01	PIN	1/8 x 1-1/2"	3
448	598 98 74-01	FITTING		1
607	599 50 09-01	HOSE	70.00"	1
632	599 51 74-01	HOSE	70.00"	1
1000	599 51 73-01	SEAL KIT	Seal KIT Drive motor CRT60	1

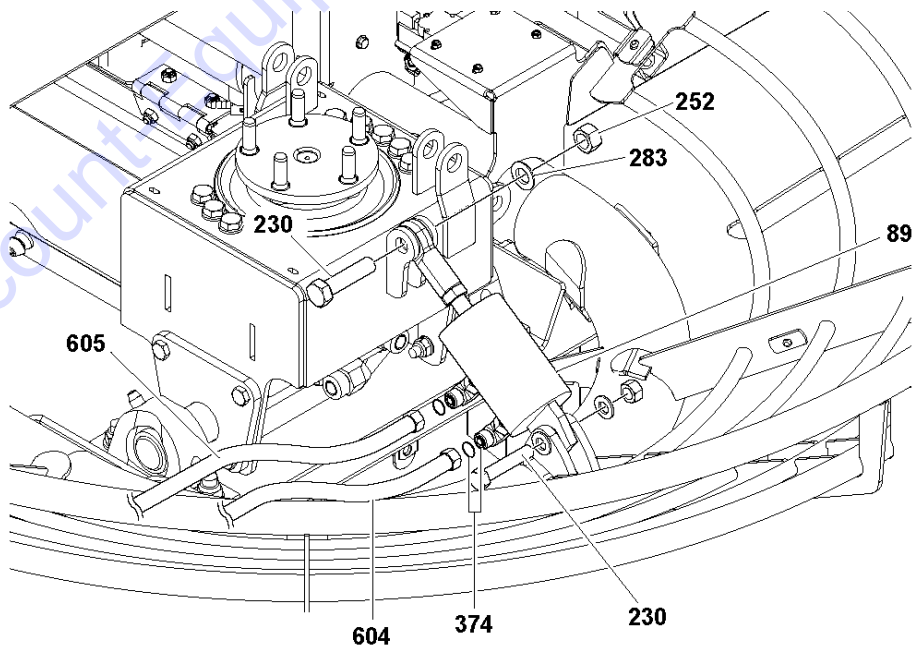
Go to Discount-Equipment.com to order your parts

M CRT60-74LX
STEERING HYDRAULIC SYSTEM

R



L

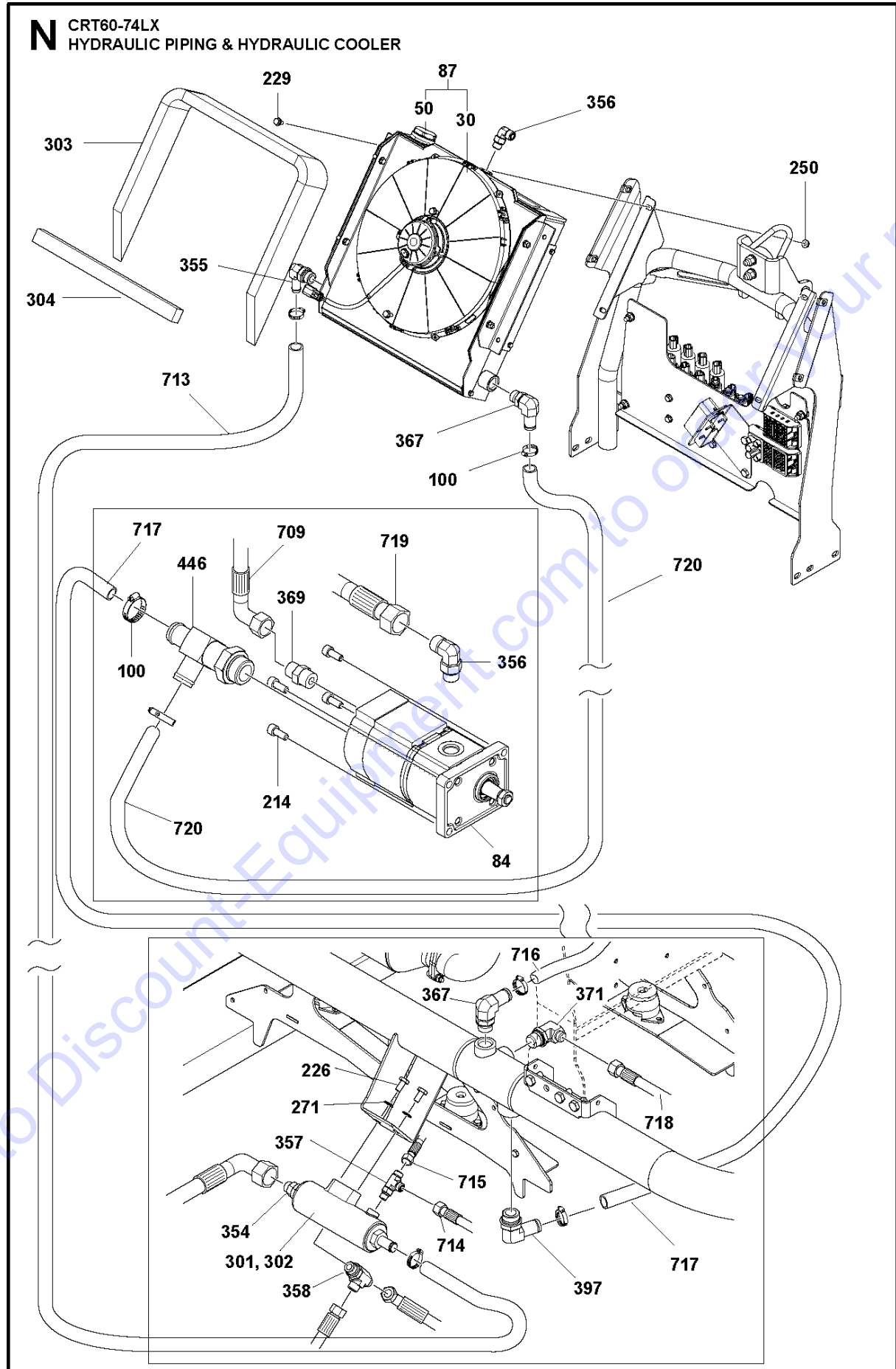


STEERING HYDRAULIC SYSTEM

CRT60-74LX, 970461801, 2020-02

Ref	Part No	Description	Remark	QTY KIT
89	599 06 86-01	ACTUATOR		3
230	599 17 75-01	SCREW	1/2-13 x 2-1/2	3
233	599 17 74-01	SCREW	5/8-11 x 2-1/2	3
252	594 09 63-01	NUT		3
257	539 99 06-25	NUT		3
279	599 16 63-01	WASHER	13	3
283	734 11 86-01	WASHER	16, ISO7090	3
374	598 98 75-01	FITTING		6
600	599 51 61-01	HYDRAULIC HOSE	28.5"	1
601	599 51 61-02	HYDRAULIC HOSE	27.25"	1
602	599 07 87-02	HOSE	42.00"	1
603	599 07 87-03	HOSE	41.00"	1
604	599 50 03-01	HOSE	75.00"	1
605	599 50 03-02	HOSE	73.00"	1
700	599 50 10-04	HOSE		1

Go to Discount-Equipment.com to order your parts



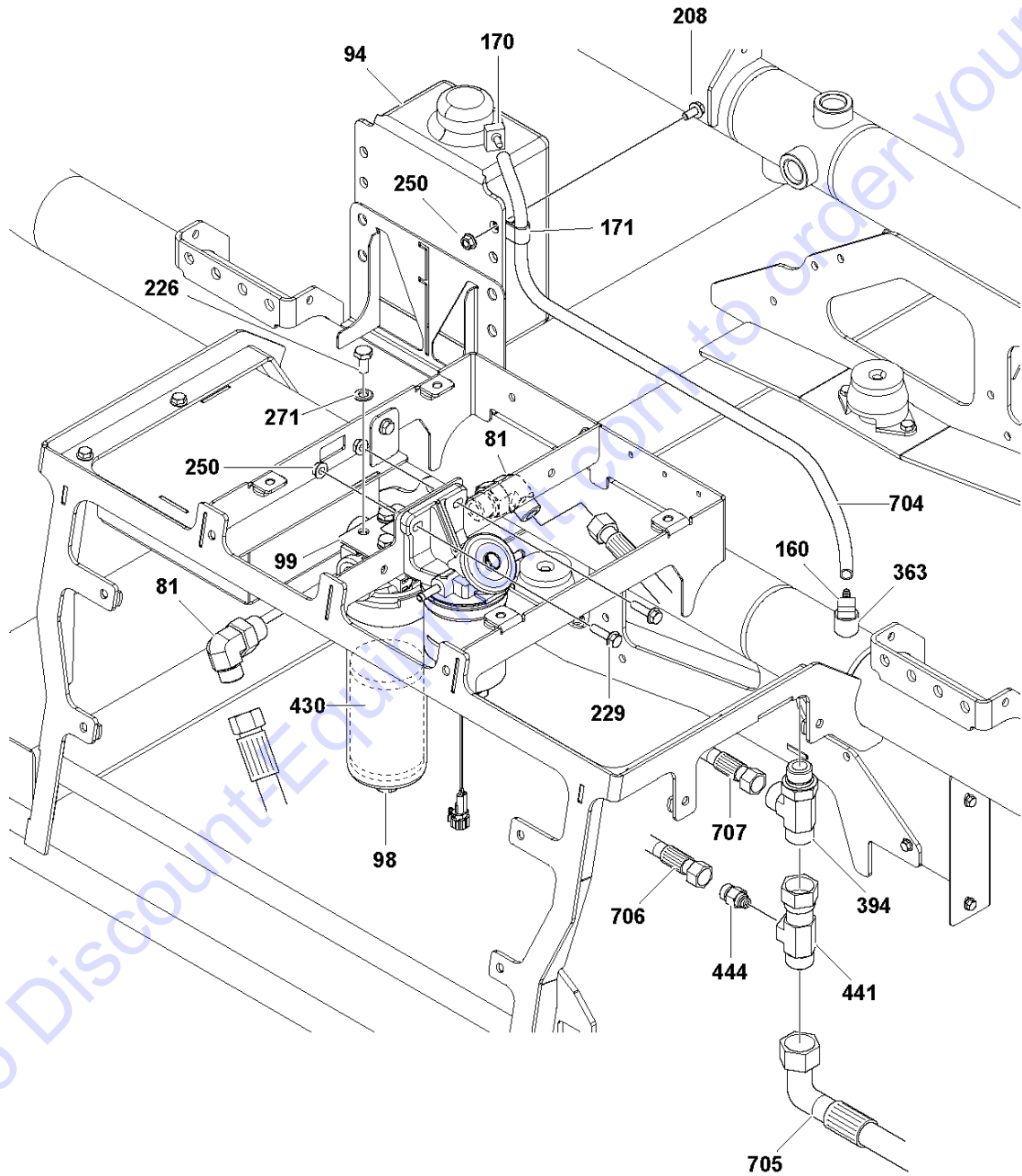
HYDRAULIC PIPING & HYDRAULIC COOLER

CRT60-74LX, 970461801, 2020-02

Ref	Part No	Description	Remark	QTY	KIT
30	599 51 76-01	MOTOR	Fan motor - 12V	1	87
50	599 51 65-01	CAP	Radiator cap - 2 Bar	1	87
84	599 07 89-01	PUMP		1	
87	599 08 03-01	OIL		1	
100	599 16 16-01	CLAMP	0,81 x 1,25"	8	
214	725 54 55-01	SCREW IHSCM		4	
226	725 24 91-71	SCREW EHHM	M10 x 20, 49Nm/36ft.lbs, ISO 4017	2	
229	585 97 28-01	SCREW EHHFM	M8 x 30, 25Nm/18ft.lbs	4	
250	576 64 57-04	NUT FLANGE	M8	4	
271	734 11 72-01	WASHER		2	
301	598 98 52-01	HOUSING		1	
302	598 98 11-01	STRAINER		1	
303	599 08 29-01	SEAL		1	
304	599 08 31-01	SEAL	Lower	1	
354	598 98 78-01	FITTING	No.8 x 10	1	
355	599 08 26-01	FITTING	3/4"	1	
356	598 99 05-01	FITTING	SAE No.8 x 90	2	
357	598 98 86-01	FITTING		1	
358	599 08 46-01	FITTING	10 x 8 x 8	1	
367	599 08 27-01	FITTING	1"	2	
369	598 98 81-01	FITTING	No.8	1	
371	598 99 28-01	FITTING	90	1	
397	599 08 45-01	FITTING	16 x 16	1	
446	599 08 71-01	FITTING	ORB-26 x 25mm x 25mm	1	
709	599 51 83-01	HOSE	838mm/33"	1	
713	599501303	TBD	880mm/35"	1	
714	599501903	TBD	750mm/30"	1	
715	599501904	TBD	1850mm/73"	1	
716	599501702	TBD	1100mm/43"	1	
717	599501701	TBD	1041mm/41"	1	
718	599 50 10-01	HOSE		1	
719	599501002	TBD	838mm/33"	1	
720	599501703	TBD	1300mm/51"	1	

Go to Discount-Equipment.com to order your parts

P CRT60-74LX
HYDRAULIC FILTER & HYDRAULIC PIPING

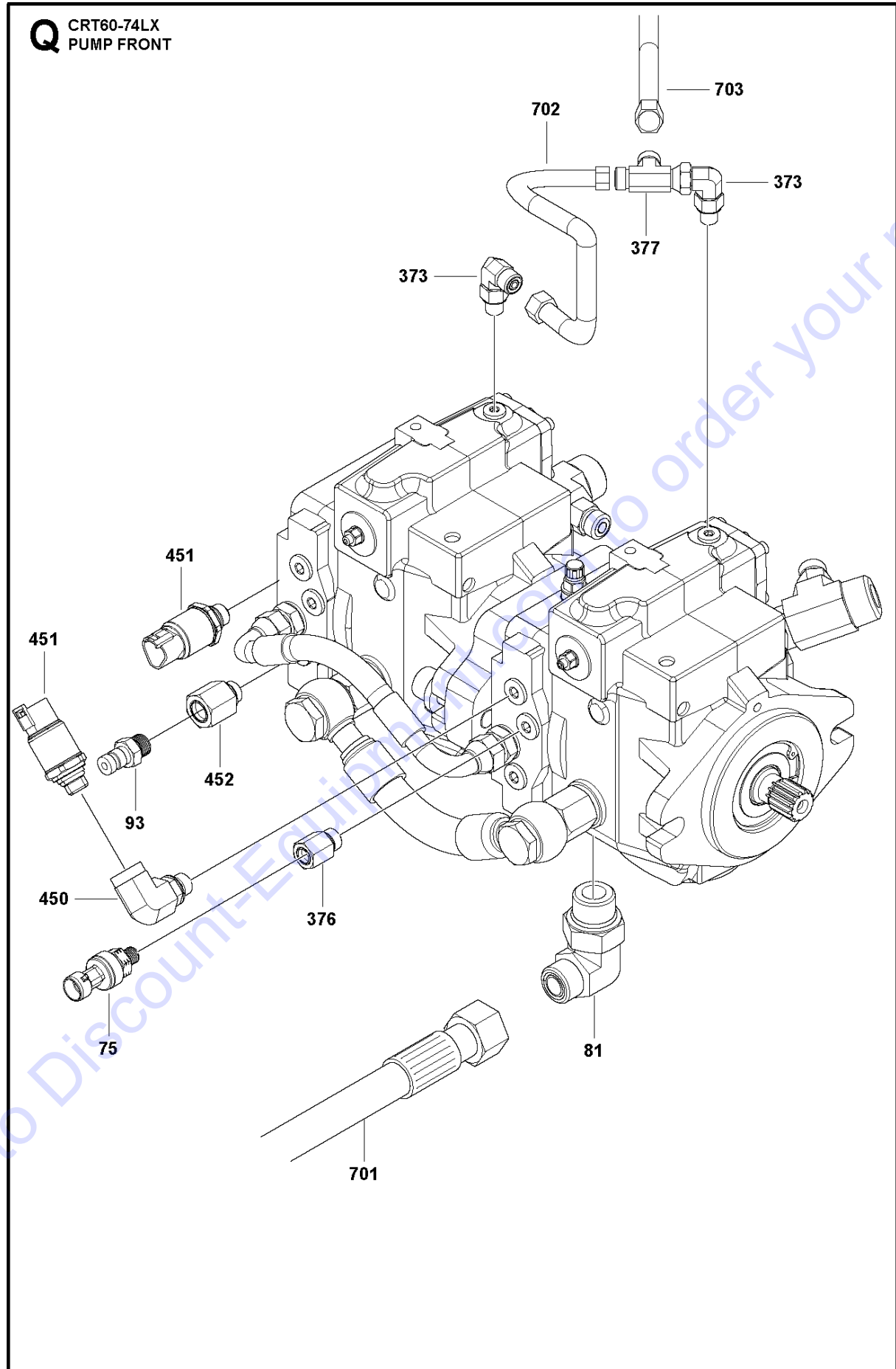


HYDRAULIC FILTER & HYDRAULIC PIPING

CRT60-74LX, 970461801, 2020-02

Ref	Part No	Description	Remark	QTY KIT
81	599 00 34-01	FITTING	No.12 x 10	2
94	599 12 10-01	TANK		1
98	598 98 56-01	FILTER		1
99	599 08 19-01	BRACKET		1
160	599 16 17-01	CLAMP	0,21-0,63	1
170	599 17 28-01	CLAMP	20-32	1
171	599 00 14-01	CLAMP		1
208	506 57 01-04	SCREW EHHFM	M8 x 20, 25Nm/18ft.lbs	2
226	725 24 91-71	SCREW EHHM	M10 x 20, 49Nm/36ft.lbs, ISO 4017	4
229	585 97 28-01	SCREW EHHFM	M8 x 30, 25Nm/18ft.lbs	2
250	576 64 57-04	NUT FLANGE	M8	7
363	599 10 47-01	FITTING		1
394	599 08 43-01	FITTING	12 x 12 x 12	1
430	598 98 57-01	OIL FILTER		1
441	599 07 44-01	FITTING	#12 ORFS X #4SAE	1
444	599 08 44-01	FITTING	6 x 4	1
704	599 50 12-01	HOSE	31.00"	1
705	599 50 13-01	HOSE	36"	1
706	599 50 14-03	HOSE		1
707	599 50 18-01	HOSE	"1625mm/64""	1
271	734 11 72-01	WASHER		4

Go to Discount-Equipment.com to order your parts

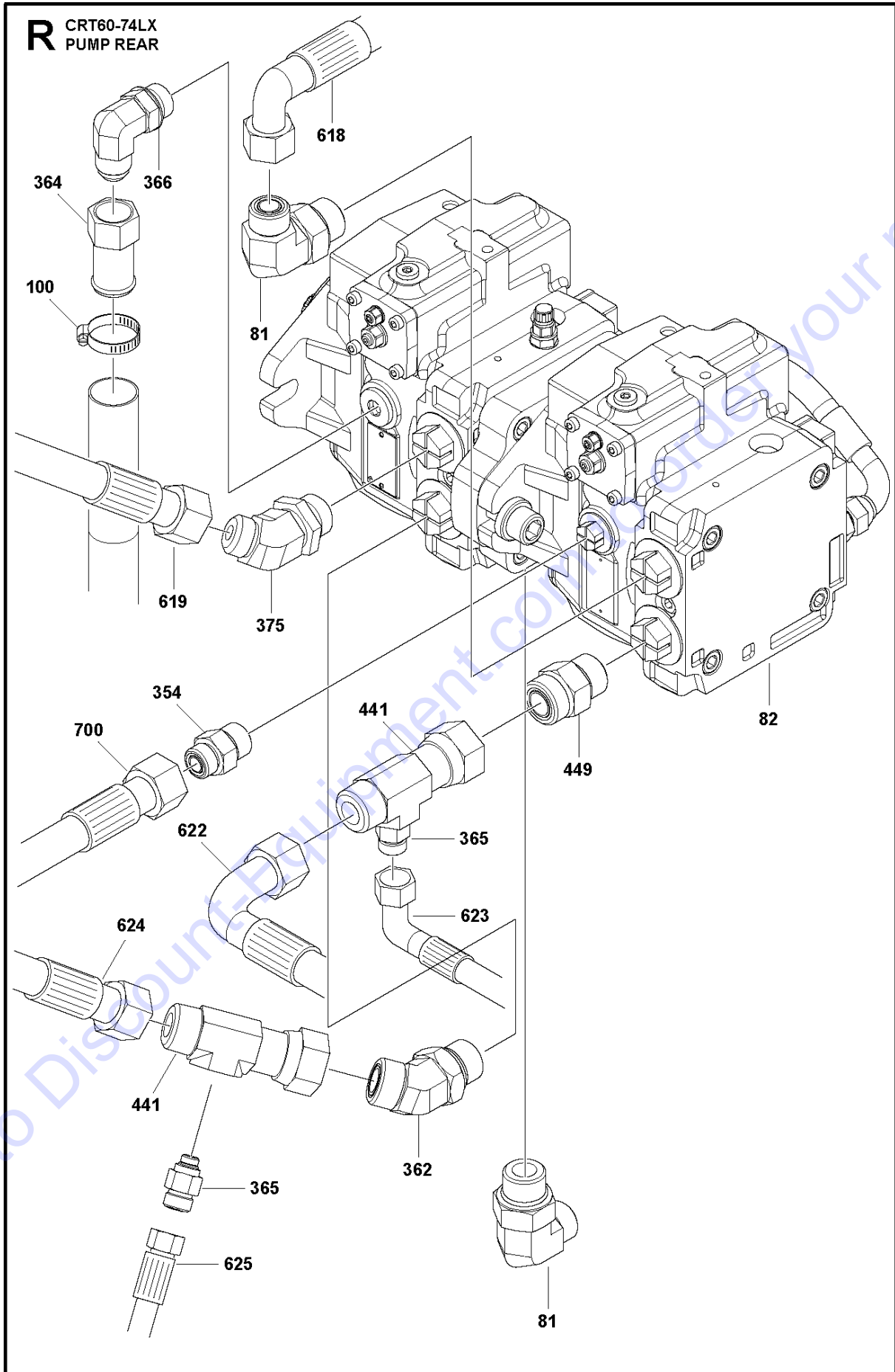


PUMP FRONT

CRT60-74LX, 970461801, 2020-02

Ref	Part No	Description	Remark	QTY KIT
75	598 98 54-01	SENSOR		1
81	599 00 34-01	FITTING	No.12 x 10	1
93	599 10 78-01	FITTING	No.6	1
373	598 99 07-01	FITTING	SAE No.4 x 90	2
376	599 08 49-01	FITTING	6 x 4	1
377	598 99 06-01	FITTING	SAE No.4	1
450	599 08 73-01	FITTING	#6 x #6	1
451	599 08 72-01	SENSOR	6000 psi	2
452	599 08 74-01	FITTING	#6 x #6	1
701	599 50 10-03	HOSE	848mm/33"	1
702	599 50 14-04	HOSE	216mm/9"	1
703	599 50 14-05	HOSE	483mm/19"	1

Go to Discount-Equipment.com to order your parts

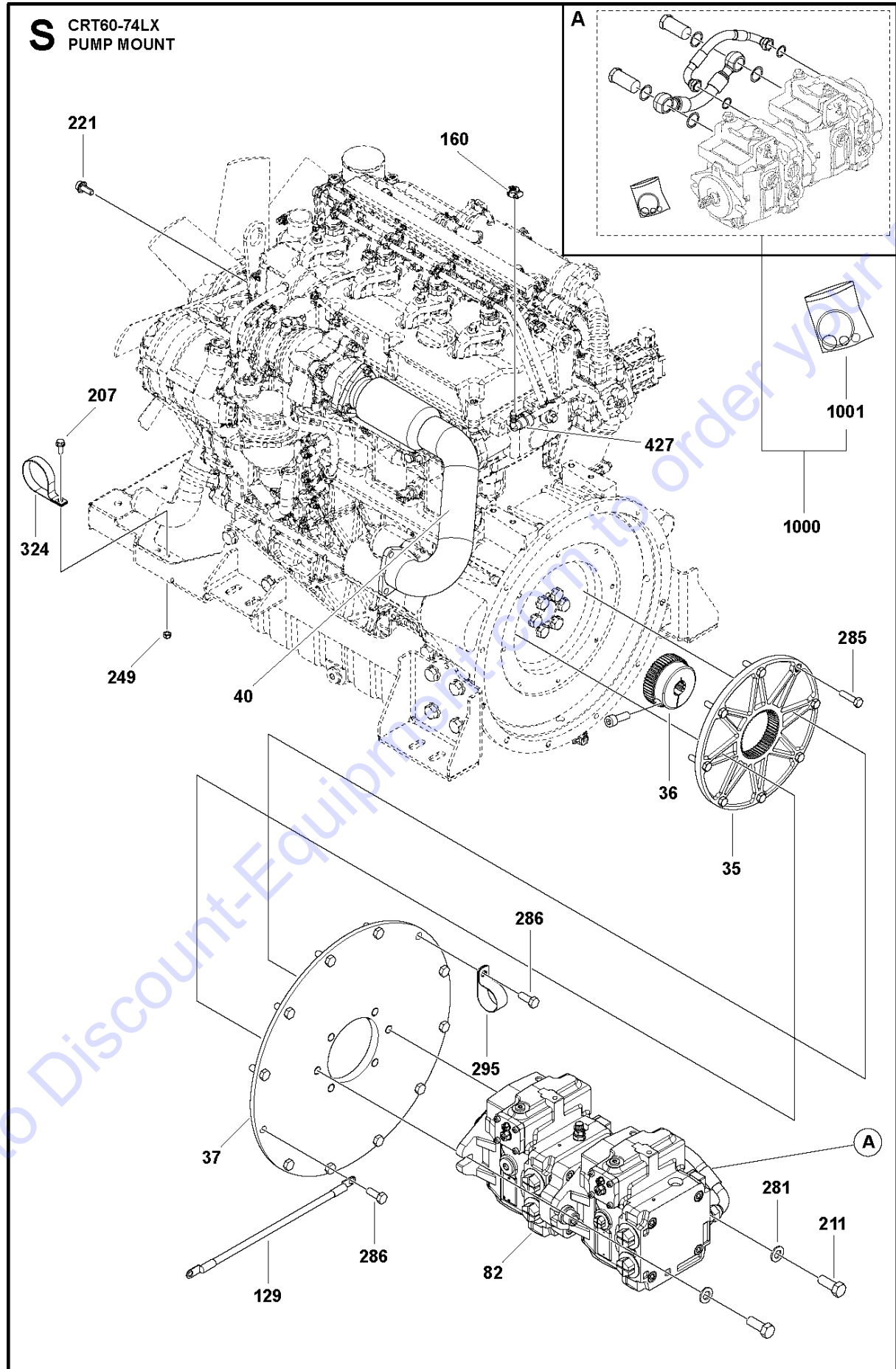


PUMP REAR

CRT60-74LX, 970461801, 2020-02

Ref	Part No	Description	Remark	QTY KIT
81	599 00 34-01	FITTING	No.12 x 10	2
100	599 16 16-01	CLAMP	0.81-1,5	1
354	598 98 78-01	FITTING	No.8 x 10	1
362	599 07 05-01	FITTING	No.12 x 12 x 45	1
364	599 08 24-01	VALVE	19 psi	1
365	599 08 48-01	FITTING	4 x 6	2
366	599 08 47-01	FITTING	10 x 10	1
375	599 12 45-01	FITTING		1
441	599 07 44-01	FITTING	#12 ORFS X #4SAE	2
449	598 99 78-01	FITTING	No.12	1
618	599 50 16-01	HOSE	710mm/28"	1
619	599 50 16-02	HOSE	1727mm/68"	1
622	599 50 13-02	HOSE	472mm/19"	1
623	599 50 19-02	HOSE	590mm/23"	1
624	599 50 13-04	HOSE		1
625	599 50 19-01	HOSE	539mm/21"	1
700	599 50 10-04	HOSE	900mm/35"	1
82	599 07 88-01	PUMP		1

Go to Discount-Equipment.com to order your parts



PUMP MOUNT

CRT60-74LX, 970461801, 2020-02

Ref	Part No	Description	Remark	QTY KIT
35	599 11 33-01	PUMP		1
36	599 11 36-01	PUMP		1
37	599 11 37-01	PUMP		1
40	599 11 25-01	PIPE		1
82	599 07 88-01	PUMP		1
129	598 99 54-01	CABLE	13"	1
160	599 16 17-01	CLAMP	0,21-0,63	1
211	596 43 53-01	BOLT	1/2-13 x 1.25"	2
221	725 54 51-01	SCREW IHSCM	M8 x 20, 24Nm/18ft.lbs, ISO4762	1
249	531 20 84-91	NUT	M6, DIN985	1
281	734 11 80-41	WASHER	A13, DIN9021	2
285	599 16 12-01	SCREW	5/16-18 x 1-1/4", 18Nm/13ft.lbs	8
286	594 97 69-01	SCREW	3/8-16 x 1in, 31Nm/23ft.lbs	1
295	599 17 70-01	CLAMP	1 1/2"	1
324	599 17 77-01	CLAMP	2"	1
427	598 98 58-01	FITTING	5/16"	1
1000	599 51 59-01	HOSE KIT		1
1001	599 51 55-01	SEAL KIT		1
207	585 98 06-01	SCREW EHHFM		1

Go to Discount-Equipment.com to order your parts

ENGINE COMPARTMENT

CRT60-74LX, 970461801, 2020-02

Ref	Part No	Description	Remark	QTY KIT
1	599 07 83-01	ENGINE		1
4	599 07 91-01	BRACKET		1
5	599 07 92-01	MOUNT		2
18	599 11 34-01	FAN		1
19	599 11 30-01	SPACER		1
22	599 11 65-01	BRACKET		1
27	599 08 23-01	BRACKET		1
28	599 07 94-01	BRACKET		1
29	599 11 29-01	GUARD		1
30	599 11 27-01	BRACKET		1
39	599 07 98-01	HOSE		1
160	599 16 17-01	CLAMP	0,21-0,63	1
197	725 25 03-51	SCREW EHHM		4
207	585 98 06-01	SCREW EHHFM	M6 x 16, 10Nm/7ft.lbs	2
231	585 23 59-01	SCREW EHHFM	M12 x 25, 86Nm/63ft.lbs, ISO 4017	8
232	725 23 64-61	SCREW EHHFT	M6 x 10, 10Nm/7ft.lbs	14
238	725 23 76-51	SCREW EHHM	M6 x 35, 10Nm/7ft.lbs, ISO 4014	4
243	732 21 20-51	NUT		4
246	522 91 94-01	LOCK NUT	M8, DIN985	1
254	593 35 64-01	NUT	M6	2
261	539 20 02-82	NUT	3/8-16"	2
269	599 16 02-01	WASHER		4
270	599 17 08-01	WASHER		4
271	734 11 72-01	WASHER		4
279	599 16 63-01	WASHER	13	16
292	599 34 33-01	SCREW	M8 x 18, 25Nm/18ft.lbs, ISO 4017	1
295	599 17 70-01	CLAMP	1 1/2"	1
300	599 16 84-01	CLAMP		2
317	599 16 41-01	CLAMP	1,56-2,50	2
321	599 11 32-01	BUMPER		2
347	599 11 85-02	HOSE	5/16 X 33"	1
386	599 11 17-01	HOSE		1
132	599 07 81-01	WIRING		1

Go to Discount-Equipment.com to order your parts

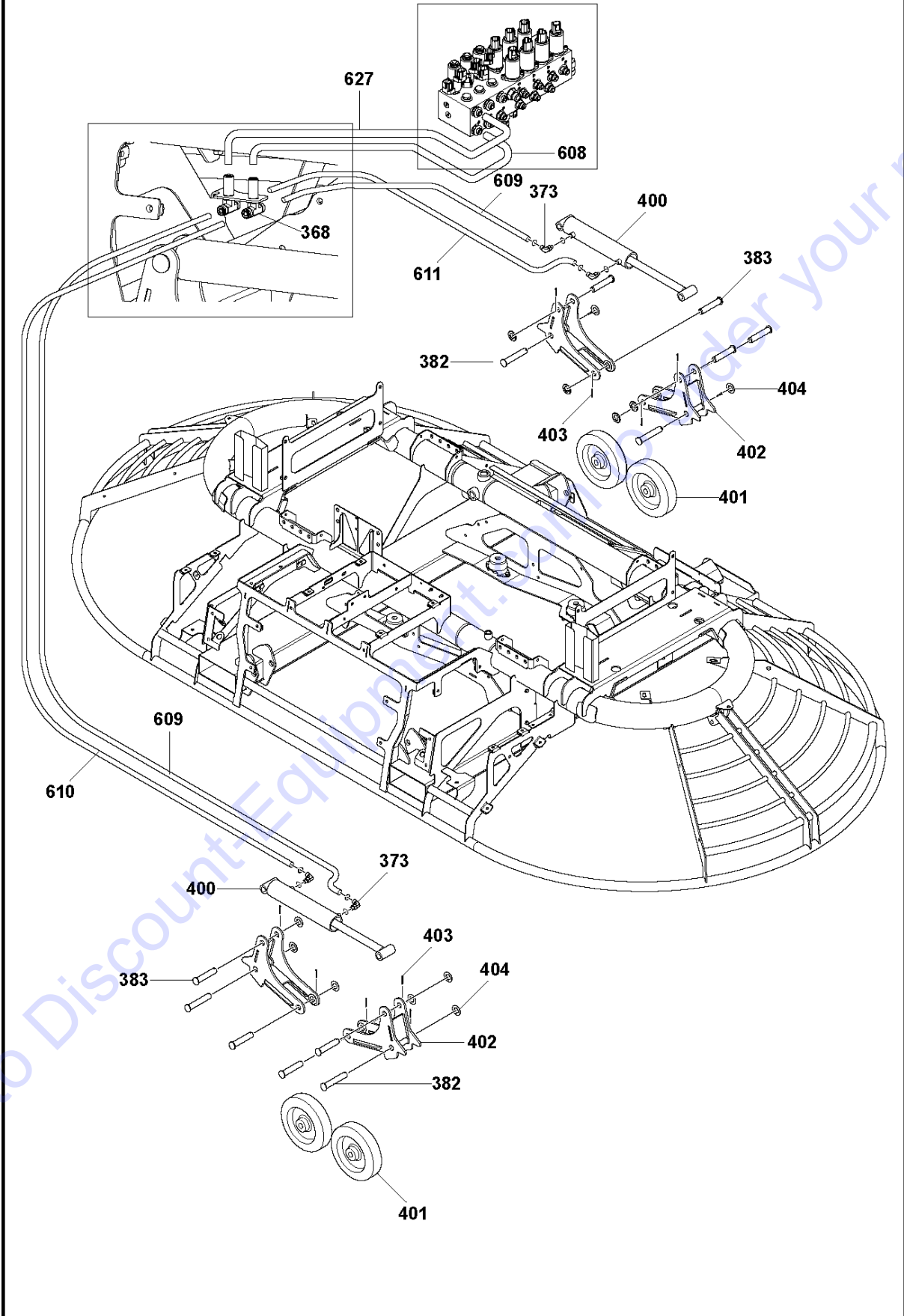
RADIATOR

CRT60-74LX, 970461801, 2020-02

Ref	Part No	Description	Remark	QTY KIT
6	599 11 35-01	RADIATOR		1
20	599 03 42-01	BOTTLE		1
21	599 03 43-01	CAP		1
23	599 11 11-01	BRACKET		1
24	599 11 12-01	BRACKET		1
27	599 08 23-01	BRACKET		1
28	599 07 94-01	BRACKET		1
30	599 11 27-01	BRACKET		1
38	599 11 16-01	PIPE		1
46	599 12 43-01	HOSE	1.5" x 3.5"	1
48	599 11 38-01	HOSE	2"	1
50	599 12 32-01	HOSE	1.38"	2
160	599 16 17-01	CLAMP	0,21-0,63	2
164	599 11 44-01	FITTING	1/16"	1
165	599 06 23-01	FITTING	5/16x1/4in x 90 NPT	1
232	725 23 64-61	SCREW EHHFT	M6 x 10, 10Nm/7ft.lbs	9
246	522 91 94-01	LOCK NUT	M8, DIN985	1
317	599 16 41-01	CLAMP	1,56-2,50	8
351	599 17 32-01	CABLE		2
359	599 06 45-01	GASKET		1
385	599 11 31-01	BUMPER		1
387	599 11 86-01	PIPE		1
418	599 01 79-01	HOSE		1

Go to Discount-Equipment.com to order your parts

V CRT60-74LX
WHEEL KIT



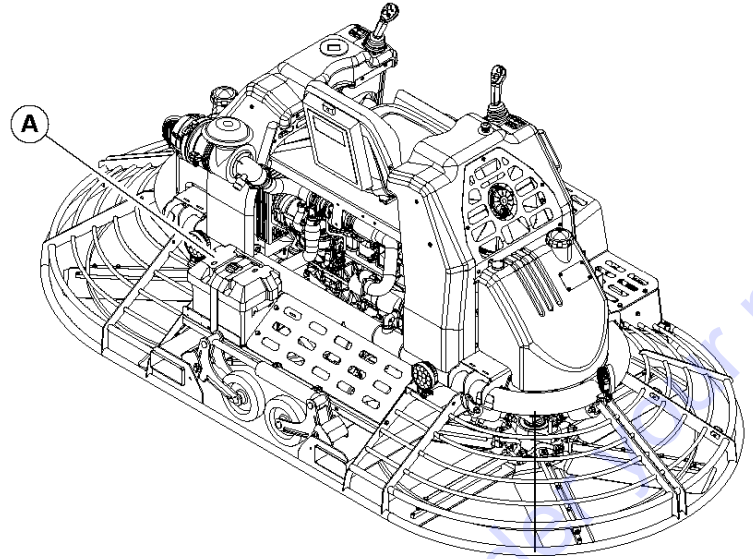
WHEEL KIT

CRT60-74LX, 970461801, 2020-02

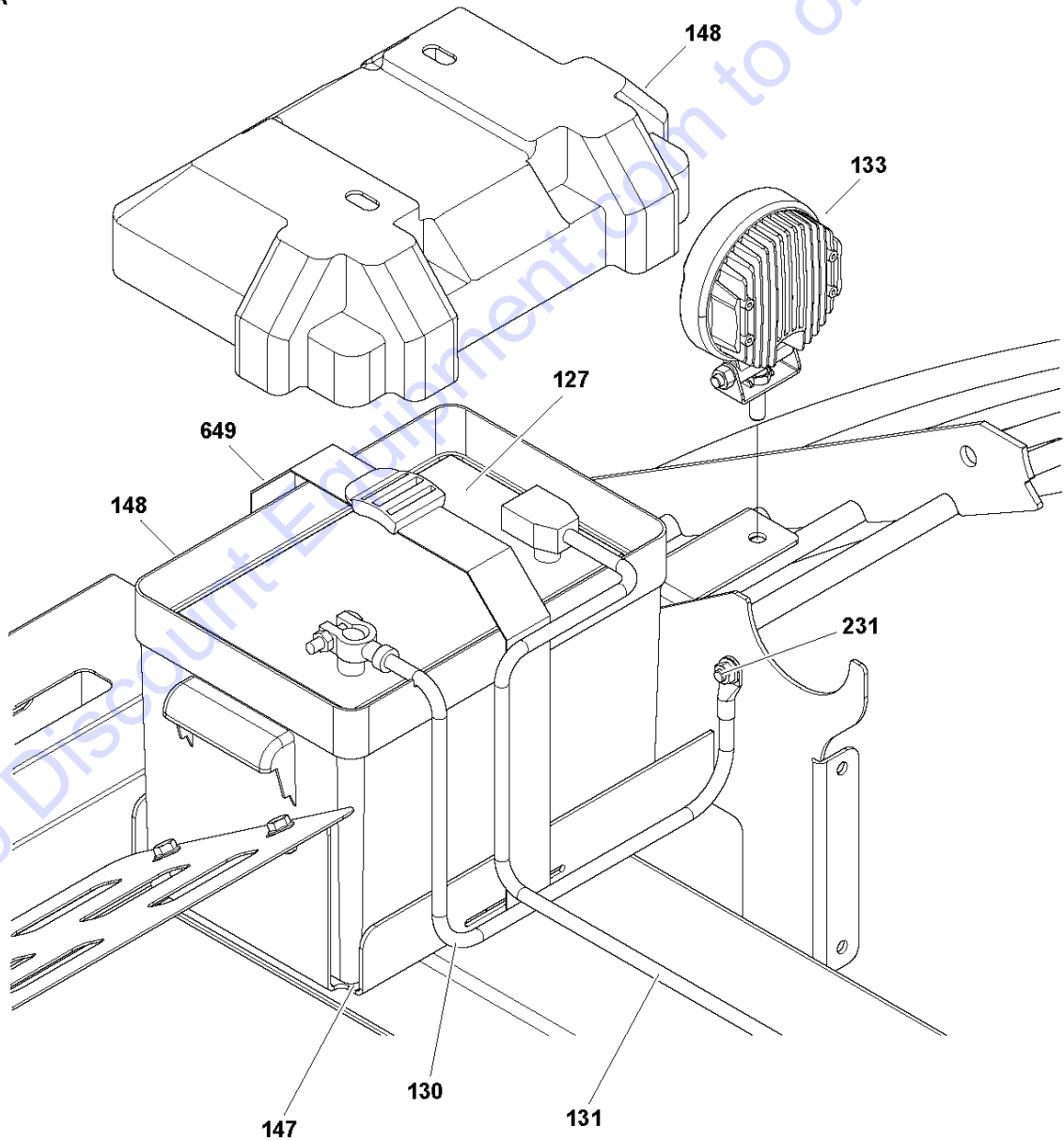
Ref	Part No	Description	Remark	QTY KIT
368	599 07 20-01	UNIT		2
373	598 99 07-01	FITTING	SAE No.4 x 90	4
382	599 17 55-01	PIN	3/4 x 4"	4
383	599 17 56-01	PIN	3/4 x 3-1/2"	8
400	599 06 91-01	CYLINDER		2
401	599 06 90-01	WHEEL		4
402	599 06 12-01	BRACKET		4
403	599 16 49-01	PIN	1/8 x 1-1/2"	12
404	542 17 30-35	WASHER		12
608	599 50 04-01	HOSE	16.00"	1
609	599 50 07-01	HOSE	39.00"	2
610	599 50 05-01	HOSE	31.00"	1
611	599 50 08-01	HOSE	46.00"	1
627	599 50 14-01	HOSE	20.00"	1

Go to Discount-Equipment.com to order your parts

X CRT60-74LX
BATTERY & LIGHT



A



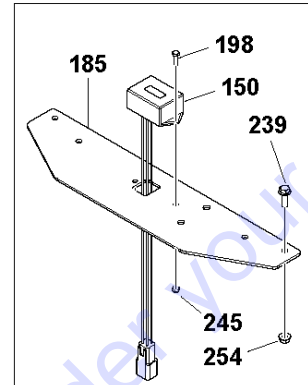
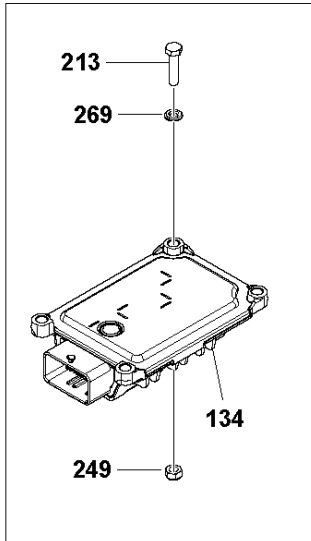
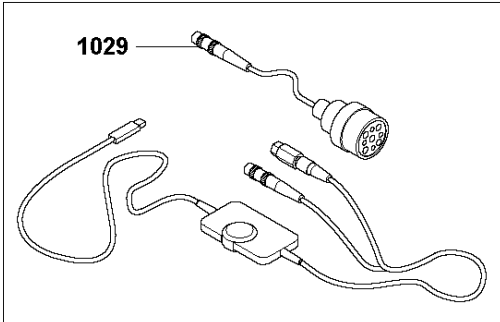
BATTERY & LIGHT

CRT60-74LX, 970461801, 2020-02

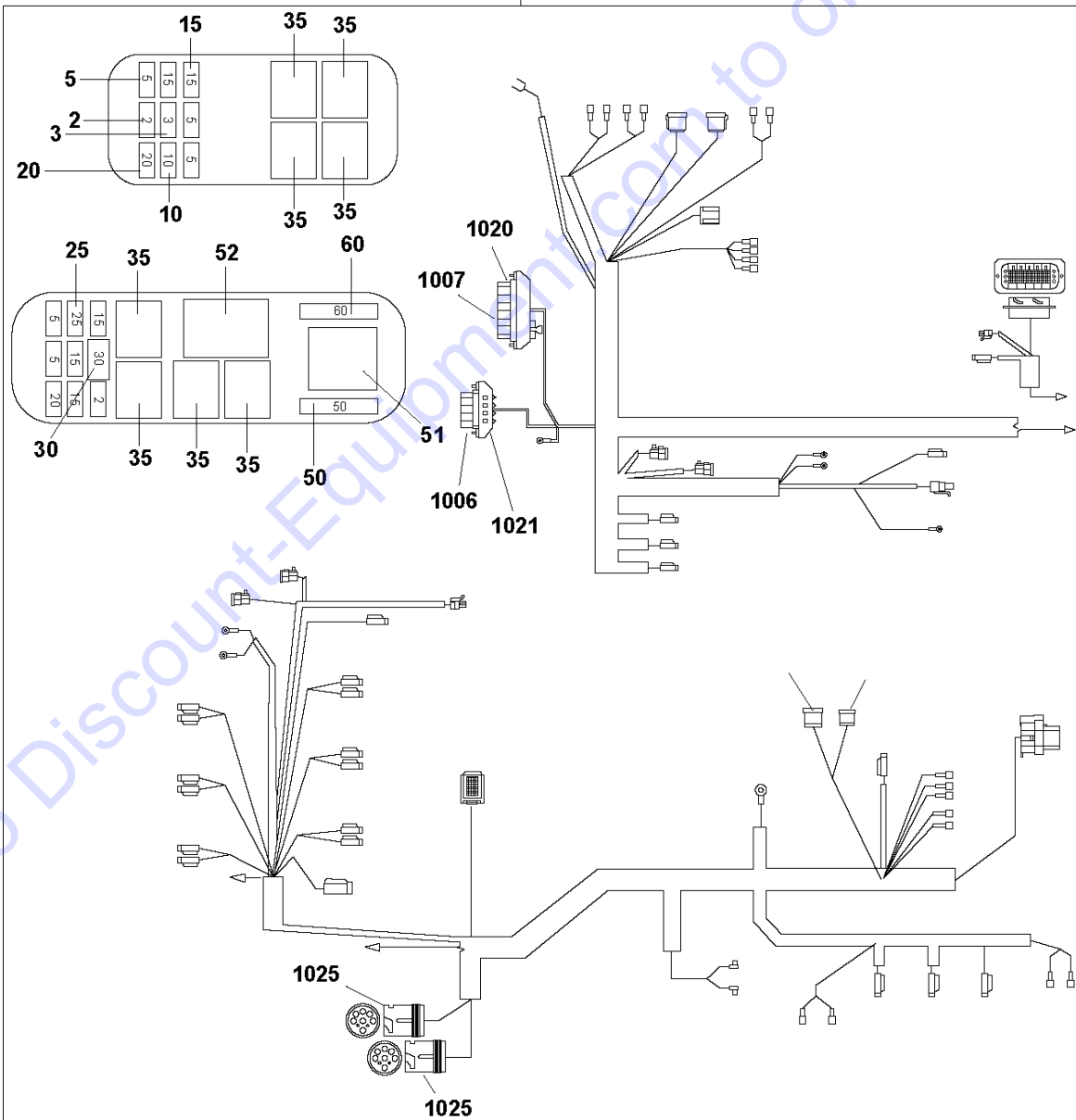
Ref	Part No	Description	Remark	QTY KIT
127	599 04 95-01	BATTERY	4"	1
130	599 03 62-01	CABLE	16"	1
131	598 99 17-01	CABLE		1
133	599 07 69-01	LIGHT		6
147	598 98 80-01	PAD		1
148	598 99 99-01	BOX		1
231	585 23 59-01	SCREW EHHFM	M12 x 25, 86Nm/63ft.lbs, ISO 4017	1
649	599 51 26-01	STRAP		1

Go to Discount-Equipment.com to order your parts

**Y CRT60-74LX
WIRING HARNESS & FUSE BOX**



132



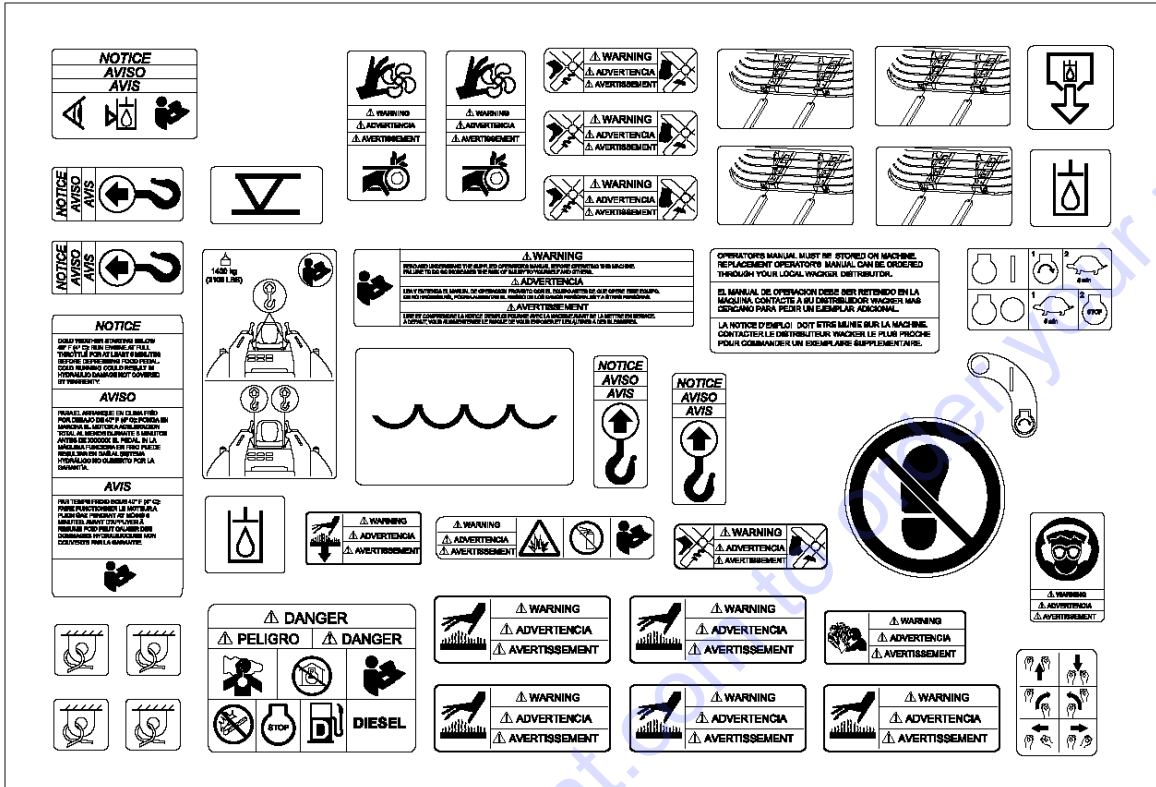
WIRING HARNESS & FUSE BOX

CRT60-74LX, 970461801, 2020-02

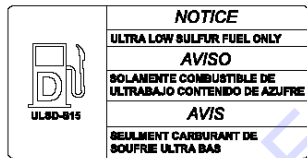
Ref	Part No	Description	Remark	QTY KIT
2	599 51 14-01	FUSE	2A	2
3	599 51 14-02	FUSE	3A	1
5	599 51 14-03	FUSE	5A	5
10	599 51 14-04	FUSE		1
15	599 51 14-05	FUSE	15A	3
20	599 51 14-06	FUSE	20A	2
25	599 51 14-07	FUSE	25A	1
30	599 51 33-01	CIRCUIT BREAKER	30A	1
35	599 51 71-01	RELAY	290	8
50	599 51 14-08	FUSE	50A	1
51	599 51 70-01	RELAY	70V	1
52	599 51 69-01	RELAY		1
60	599 51 14-09	FUSE	60A	1
132	599 07 81-01	WIRING		1
134	599 07 84-01	ELECTRICAL SYSTEM	CRT60-74L	1
150	599 11 22-01	CONTROL		1
185	599 11 87-01	BRACKET		1
198	599 16 82-01	SCREW	M4 x 14, ISO 4017	4
213	725 23 72-71	SCREW EHHM	M6 x 25, 10Nm/7ft.lbs, ISO 4017	4
239	599 51 79-01	SCREW	M6 x 1 x 20, 10Nm/7ft.lbs	4
245	599 15 98-01	LOCK NUT		2
249	531 20 84-91	NUT	M6, DIN985	4
254	593 35 64-01	NUT	M6	4
269	599 16 02-01	WASHER		4
1006	599 51 50-01	FUSE BOX	Fuse box	1
1007	599 51 54-01	FUSE BOX	Fuse box	1
1020	599 51 66-01	COVER	Cover, electrical box	1
1021	599 51 67-01	COVER	Cover, electrical box	1
1025	599 51 64-01	PROTECTIVE CAP	Protective cap	2
1029	599 51 63-01	ADAPTER	Adapter wiring harness	1

Go to Discount-Equipment.com to order your parts

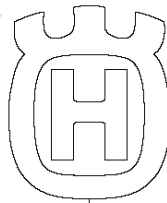
Z CRT60-74LX
DECALS



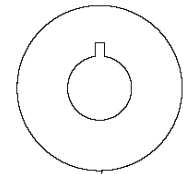
115



120



112



103

CRT60X

118

Husqvarna®

2001

DECALS

CRT60-74LX, 970461801, 2020-02

Ref	Part No	Description	Remark	QTY KIT
103	599 10 73-01	LABEL		1
112	599 23 50-01	DECAL		1
115	599 11 88-01	LABEL		1
118	599 23 52-01	DECAL		1
120	599 07 76-01	LABEL		1
2001	599 23 53-01	DECAL		2

Go to Discount-Equipment.com to order your parts

PARTS FINDER

**Search Website
by Part Number**



**Search Manual
Library For Parts
Manual & Lookup Part
Numbers – Purchase
or Request Quote**

Search Manuals

Enter your information to help us find the right parts manual for your machine.

* Brand:

* Model:

* Serial:

* Part Number:

SEARCH

**Can't Find Part or
Manual? Request Help
by Manufacturer,
Model & Description**

Parts Order Form

Please fill in the following information to help us find the right part for your machine.

Manufacturer:	<input type="text"/>
Model:	<input type="text"/>
Description:	<input type="text"/>
Part Number:	<input type="text"/>
Quantity:	<input type="text"/>
Notes:	<input type="text"/>

Discount-Equipment.com is your online resource for quality parts & equipment.

Florida: **561-964-4949** Outside Florida TOLL FREE: **877-690-3101**

Need parts?

Click on this link: <http://www.discount-equipment.com/category/5443-parts/> and choose one of the options to help get the right parts and equipment you are looking for. Please have the machine model and serial number available in order to help us get you the correct parts. If you don't find the part on the website or on one of the online manuals, please fill out the request form and one of our experienced staff members will get back to you with a quote for the right part that your machine needs.

We sell worldwide for the brands: Genie, Terex, JLG, MultiQuip, Mikasa, Essick, Whiteman, Mayco, Toro Stone, Diamond Products, Generac Magnum, Airman, Haulotte, Barreto, Power Blanket, Nifty Lift, Atlas Copco, Chicago Pneumatic, Allmand, Miller Curber, Skyjack, Lull, Skytrak, Tsurumi, Husquvarna Target, Stow, Wacker, Sakai, Mi-T-M, Sullair, Basic, Dynapac, MBW, Weber, Bartell, Bennar Newman, Haulotte, Ditch Runner, Menegotti, Morrison, Contec, Buddy, Crown, Edco, Wyco, Bomag, Laymor, EZ Trench, Bil-Jax, F.S. Curtis, Gehl Pavers, Heli, Honda, ICS/PowerGrit, IHI, Partner, Imer, Clipper, MMD, Koshin, Rice, CH&E, General Equipment, Amida, Coleman, NAC, Gradall, Square Shooter, Kent, Stanley, Tamco, Toku, Hatz, Kohler, Robin, Wisconsin, Northrock, Oztec, Toker TK, Rol-Air, APT, Wylie, Ingersoll Rand / Doosan, Innovatech, Con X, Ammann, Mecalac, Makinex, Smith Surface Prep, Small Line, Wanco, Yanmar