

WS 463

Reservdelar

Spare parts

Ersatzteile

Pieces de rechange

Piezas de repuesto

Ricambi

Peças sobresselente



# PARTS FINDER

**Search Website  
by Part Number**



**Search Manual  
Library For Parts  
Manual & Lookup Part  
Numbers – Purchase  
or Request Quote**

**Search Manuals**

Enter your information to help us find the right parts manual for your machine.

\* Brand:

\* Model:

\* Serial:

\* Part Number:

SEARCH

**Can't Find Part or  
Manual? Request Help  
by Manufacturer,  
Model & Description**

**Parts Order Form**

Please fill in the following information to help us find the right part for your machine.

Manufacturer:	<input type="text"/>
Model:	<input type="text"/>
Description:	<input type="text"/>
Part Number:	<input type="text"/>
Quantity:	<input type="text"/>
Notes:	<input type="text"/>

Discount-Equipment.com is your online resource for quality parts & equipment.

Florida: **561-964-4949** Outside Florida TOLL FREE: **877-690-3101**

**Need parts?**

Click on this link: <http://www.discount-equipment.com/category/5443-parts/> and choose one of the options to help get the right parts and equipment you are looking for. Please have the machine model and serial number available in order to help us get you the correct parts. If you don't find the part on the website or on one of the online manuals, please fill out the request form and one of our experienced staff members will get back to you with a quote for the right part that your machine needs.

We sell worldwide for the brands: Genie, Terex, JLG, MultiQuip, Mikasa, Essick, Whiteman, Mayco, Toro Stone, Diamond Products, Generac Magnum, Airman, Haulotte, Barreto, Power Blanket, Nifty Lift, Atlas Copco, Chicago Pneumatic, Allmand, Miller Curber, Skyjack, Lull, Skytrak, Tsurumi, Husquvarna Target, Stow, Wacker, Sakai, Mi-T-M, Sullair, Basic, Dynapac, MBW, Weber, Bartell, Bennar Newman, Haulotte, Ditch Runner, Menegotti, Morrison, Contec, Buddy, Crown, Edco, Wyco, Bomag, Laymor, EZ Trench, Bil-Jax, F.S. Curtis, Gehl Pavers, Heli, Honda, ICS/PowerGrit, IHI, Partner, Imer, Clipper, MMD, Koshin, Rice, CH&E, General Equipment, Amida, Coleman, NAC, Gradall, Square Shooter, Kent, Stanley, Tamco, Toku, Hatz, Kohler, Robin, Wisconsin, Northrock, Oztec, Toker TK, Rol-Air, APT, Wylie, Ingersoll Rand / Doosan, Innovatech, Con X, Ammann, Mecalac, Makinex, Smith Surface Prep, Small Line, Wanco, Yanmar

No.	Pos.	Description	No.	Pos.	Description
501 37 52-01	P	Tool kit	531 11 81-96	B	Tooth wheel set
504 10 02-01	J	Scale	531 11 81-98	B	Driving shaft
504 90 83-26	G	Cylindrical pin	531 11 82-18	EQ	Quick coupling, male 13411
504 90 94-14	"L2-3M2-4 N2-5O2-5"	Screw	531 11 82-19	Q	Quick coupling 1300UV
505 11 29-01	K	Mount	531 11 83-18	Q	Hose 0,45m
505 11 30-01	K	Excentric	531 11 83-25	Q	Nipple 1312
505 11 31-01	K	Handle bracket	531 11 83-37	B	Adapter 1/8"
505 11 33-01	K	Beam	531 11 90-14	Q	Hose clamp 13-20
505 11 34-01	K	Snap locking	531 11 90-15	Q	Hose clamp 15-24
			531 11 90-39	C	Bearing washer AS 3552
505 11 35-01	K	Hook	531 11 90-42	C	Bearing AXK 3552
505 11 38-01	K	Handle	531 11 90-45	F	Ball D20xM5
505 11 39-01	K	Shaft seat	531 11 90-63	A	Grease nipple
505 11 40-01	K	Spring	531 11 90-65	P	Wrench 18 mm
505 11 40-01	K	Spring	531 11 90-80	N1,5O1,5	Lock
505 12 59-01	G	Rocker lever	531 11 90-98	F	Spring LBR 45F
505 12 60-01	G	Spring	531 11 90-99	F	Ball 6 mm
505 18 64-01	K	Parallell pin	531 11 91-08	P	Grease gun
505 18 65-01	K	Screw	531 11 91-45	B	Washer, copper
505 18 66-01	K	Stop screw	531 11 91-46	B	Bearing washer
505 21 63-01	D	Radial seal 60x72x4	531 11 91-49	BF	Bearing AXK 1024
505 22 69-03	G	Carriage WS 400	531 11 91-50	B	Bearing
505 25 52-01	G	Paralel pin 4x32	531 11 91-52	H	Plug
505 28 38-01	F	Valve kit	531 11 91-55	B	Bearing Nk 19/16
505 40 73-01	F	Hydraulic motor WS 463	531 11 91-58	B	Shim 23.35x1
505 45 50-01	F	Plug	531 11 91-81	K	Washer 10.5x22
505 55 56-01	A	Plug	531 11 91-83	DHJ	Washer 13x24x2
506 06 85-01	D	Screw	531 11 91-85	DF	Sealing ring 1/2"
510 11 15-01	K	Handle holder	531 11 91-88	B	Radial seal
522 53 68-01	C	Plug	531 11 92-02	E	Screw M6S 12x25
522 72 01-01	E	Gasket	531 11 92-03	HJ	Screw M6S 12x30
522 82 77-01	P	Husqvarna oil 220 0,3 l	531 11 92-28	BD	Screw MC6S 5x14
525 45 52-01	P	Allen key set	531 11 92-35	H	Screw MC6S 8x14
529 28 11-01	D	Lid	531 11 92-49	A	Nut
529 28 12-01	D	Cover plate	531 11 92-62	F	O-ring 18,3x2,4
529 28 14-01	D	Bearing cage	531 11 92-70	F	O-ring 24,2x3
529 28 17-01	D	Cover	531 11 92-74	D	O-ring 29,2x3
529 28 20-01	D	Stub gear	531 11 92-77	B	O-ring 31,4x1,6
531 11 30-37	Q	Water hose with valve	531 11 92-80	B	O-ring 43x1,6
531 11 30-45	H	Track 1,2m complete	531 11 92-93	F	O-ring 80x1,6
531 11 30-46	H	Track 2,0m complete	531 11 93-19	F	Shaft seal SCN 18x30x6
531 11 30-47	H	Track 2,2m complete	531 11 93-39	F	Plug VSTI M14X1,5
531 11 30-78	F	Shaft seal set	531 11 93-40	F	Plug VSTI R1/2
531 11 31-69	B	Worm gear + comm. Valve	531 11 93-50	H	Screw MF6S 4x12 12.9
531 11 32-00	J	Mounting bracket universal	531 11 93-60	D	O-ring 133,0x1,78
531 11 32-44	D	Pivoting arm compl.	531 11 93-64	DJ	Spring
531 11 32-46	H	Mounting bracket complete	531 11 93-65	F	O-ring 11,3x2,4 NBR 90
531 11 32-47	H	Coupling link complete	531 11 93-75	C	X-Ring 114,0x1,78
531 11 32-48	H	Track holder complete	531 11 93-76	C	O-Ring 94,97x1,78
531 11 32-51	B	Motor bracket complete	531 11 93-89	G	Screw MLC6S 5x10
531 11 32-52	B	Feeding motor, track feed	531 11 94-18	J	Screw M6S 12x120
531 11 32-54	B	Feeding motor, down feed	531 11 94-20	J	O-ring 40x2
531 11 32-55	F	Hydraulic motor WS 463	531 11 94-26	G	Screw K6S 6x16 10.9 fzb
531 11 32-65	J	Measure rod complete	531 11 94-39	C	Bearing HK 3520
531 11 32-68	Q	Cleaning brush complete	531 11 94-40	C	Washer AS 5070
531 11 32-71	C	Clutch trackfeeding compl.	531 11 94-41	D	Bearing 16005
531 11 33-43	Q	Hose complete	531 11 94-43	C	Bearing 16007
531 11 80-03	Q	Quick coupling 1800UV	531 11 94-45	D	Bearing 61816
531 11 80-05	Q	Nipple 1812	531 11 94-51	D	O-ring 74,5x3
531 11 80-06	Q	Quick coupling 18210 male	531 11 94-53	G	Levell
531 11 80-18	Q	Ball valve	531 11 94-54	G	Spring
531 11 80-41	F	Hydraulic coupling 1/2"	531 11 94-56	H	Turning knob
531 11 80-42	F	Hydraulic coupling 1/2" male	531 11 94-99	D	O-ring 69,5x3
531 11 80-45	B	Hydraulic coupling 1/8"	531 11 95-00	C	O-ring 61x1,6
531 11 80-46	B	Hydraulic coupling 1/8" male	531 11 95-17	E	Plug for M8
531 11 81-13	D	Magnetic plug	531 11 95-24	N1,5O1,5	Screw
531 11 81-44	F	Pressure relief valve	531 11 95-31	P	Water level
531 11 81-92	Q	Water hose	531 11 95-32	P	Ratchet wrench
531 11 81-93	F	Spring PLC 081-230	531 11 95-33	P	Wrench 16mm
531 11 81-95	B	Tooth wheel set	531 11 95-34	P	Socket 18mm

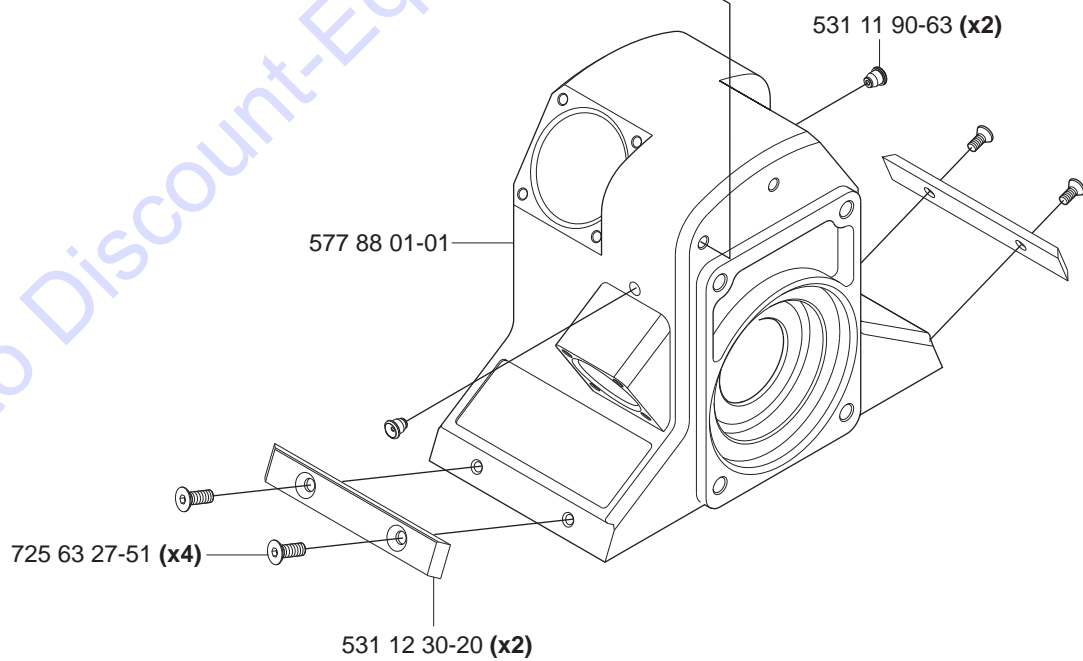
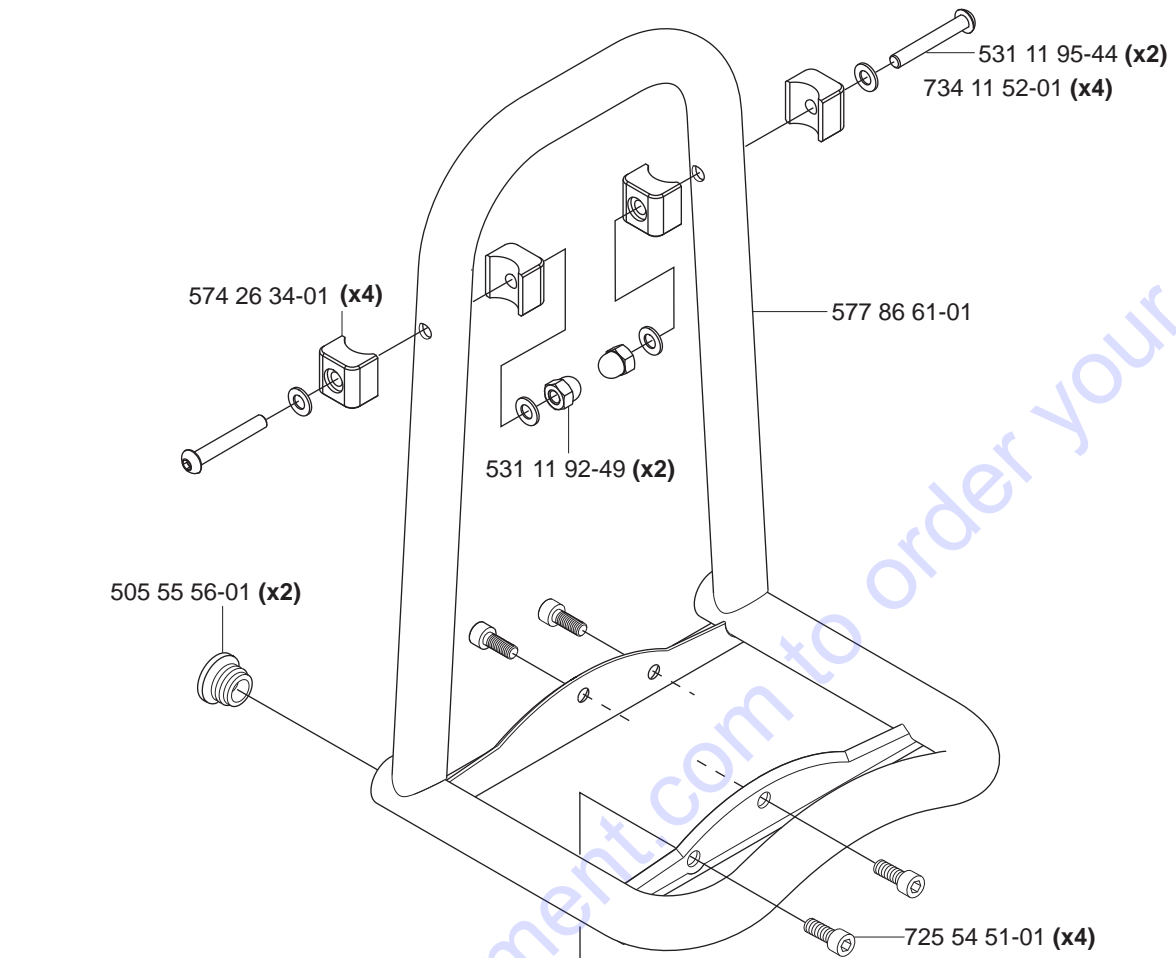
No.	Pos.	Description	No.	Pos.	Description
531 11 95-41	P	Socket 19mm	531 12 30-51	E	Plate for hub
531 11 95-44	A	Screw	531 12 30-55	B	Cover plate
531 11 95-46	N1,5O1,5	Pin screw	531 12 30-57	E	Water connection
531 11 95-53	Q	Cleaning brush	531 12 30-63	"L1-3M1,4 N1,5O1,5"	Rail for bladeguard
531 11 95-86	J	Screw MRX 3x5	531 12 30-65	K	Roller guide
531 11 95-88	G	Seeger circlip SGA 11	531 12 30-66	K	Cover
531 11 95-89	K	Screw K6S 6x20 10.9 fzb	531 12 30-70	K	Handle
531 11 95-93	E	Plug for M10	531 12 30-71	K	Excentric shaft
531 11 95-96	B	O-ring 41x1	531 12 30-75	H	Track holder
531 11 96-01	D	Shaft seal BASL 25x35x7			
531 12 13-44	F	Support washer	531 12 30-76	H	Clamping plate
531 12 14-02	F	Valve lever hub	531 12 30-95	E	Water hose
531 12 14-03	F	Valve lever	531 12 30-96	H	Coupling link
531 12 20-27	H	Rack	531 12 30-97	H	Clamping washer
531 12 20-28	H	Rack	531 12 31-00	B	Aluminium washer red
531 12 20-34	B	Thrust journal	531 12 31-03	B	Distance 20cc
531 12 20-43	H	Guide	531 12 31-69	N1,5O1,5	Clamp
531 12 20-44	H	Guide	531 14 20-25	F	Nipple 1/2"
531 12 20-49	D	Sealing plug	541 40 49-09	"L1-3M1,4 N1,5O1,5"	Handle
531 12 20-70	H	Safety stop			
531 12 20-84	F	Valve block	574 26 34-01	A	Spacing sleeve
531 12 20-85	F	Valve cover	574 43 13-01	E	Hub
531 12 20-86	F	Retracting block	574 43 55-01	E	Water block
531 12 20-87	F	Shift valve	574 44 39-01	D	Ring
531 12 21-06	F	Check valve plug	574 45 21-01	D	Bearing 16011
531 12 21-07	F	Plunge	574 45 22-01	D	Radial seal
531 12 21-08	B	Cover	574 45 23-01	E	Radial seal 50x62x5
531 12 21-18	H	Clamping washer	574 45 24-01	D	O-ring 45x1,6
531 12 21-24	H	Rack	574 45 25-01	E	O-ring 75x2
531 12 21-25	H	Guide	574 45 26-01	D	O-ring 91,7x1,78
531 12 21-68	N2O2	Block	574 45 27-01	E	Bearing
531 12 21-69	N2O2	Block	574 45 29-01	D	O-ring 110,7x1,78
531 12 21-82	K	Guide wheel shaft	574 61 87-01	C	Arm shaft
531 12 21-82	K	Guide wheel shaft, upper	574 61 97-01	C	Key 6x6x14
531 12 21-83	K	Wheel	574 82 95-01	E	Blade flange compl.
531 12 22-51	Q	Wear hose	574 82 95-02	E	Blade flange 60mm compl.
531 12 22-80	C	Friction plate pivoting arm	574 82 95-03	E	Blade flange 130 compl.
531 12 23-38	K	Spacer	575 25 81-01	D	Pivoting arm
531 12 23-57	J	Friction plate	576 13 92-06	L2	Gable
531 12 23-58	K	Guide wheel shaft, lower	576 13 92-07	L2	Gable
531 12 24-54	J	Mounting bracket	576 13 92-08	M3	Gable
531 12 24-55	J	Shaft	576 13 92-09	M3	Gable
531 12 24-56	J	Link to track-holder	576 13 92-10	N3N4	Gable
531 12 24-57	J	Track holder	576 13 92-11	N3N4	Gable
531 12 24-58	J	Clamping plate	576 13 92-14	O3-4	Gable
531 12 24-59	J	Clamping plate nut	576 13 92-15	O3-4	Gable
531 12 24-60	J	Breaking plate	576 13 92-16	L3	Gable
531 12 30-09	G	Handle	576 13 92-17	L3	Gable
531 12 30-10	G	Bar	576 13 92-18	M4	Gable
531 12 30-11	G	Excentric locking shaft	576 13 92-19	M4	Gable
531 12 30-12	G	Locking clamp	576 13 92-20	N5	Gable
531 12 30-13	G	Sprint	576 13 92-21	N5	Gable
531 12 30-15	G	Feeding shaft	576 13 92-22	O5	Gable
531 12 30-16	G	Shaft holder	576 13 92-23	O5	Gable
531 12 30-17	G	Transfer gear	576 14 13-15	M3M4	Distance Plate
531 12 30-20	A	Wear plate	576 14 13-16	M3M4	Distance Plate
531 12 30-21	C	Feeding gear, arm	576 14 13-17	M3M4	Distance Plate
531 12 30-22	C	Feeding gear, track	576 14 13-20	N3,5	Spacer plate
531 12 30-23	C	Longituinal feeding gear	576 14 13-21	N4-5	Spacer plate
531 12 30-25	C	Cup spring	576 14 13-22	N3-5	Spacer plate
531 12 30-26	C	Friction plate	576 14 13-23	N3-5	Spacer plate
531 12 30-30	D	Input gear	576 14 13-24	N4	Spacer plate
531 12 30-32	D	Medial gear	576 14 13-25	N3	Spacer plate
531 12 30-33	E	Flange, outer	576 14 13-26	L2L3	Distance Plate
531 12 30-35	D	Blade shaft	576 14 13-27	L2L3	Distance Plate
531 12 30-40	C	Clutch plate	576 14 13-28	M3M4	Distance Plate
531 12 30-41	D	Mounting plate	576 14 13-29	M3M4	Distance Plate
531 12 30-43	D	Medial shaft	576 14 13-30	M3M4	Distance Plate
531 12 30-44	D	Medial spacer	576 14 15-08	L2L3	Baffle Plate
531 12 30-48	E	60mm bushing	576 14 15-09	L2	Baffle Plate

No.	Pos.	Description	No.	Pos.	Description
576 14 15-10	L2L3	Baffle Plate	577 44 65-02	N3-4	Gable 1200
576 14 15-11	L2L3	Baffle Plate	577 44 65-03	N5	Gable flush left 1200
576 14 15-12	M2M4	Baffle Plate	577 44 65-04	N5	Gable flush right 1200
576 14 15-13	M2	Baffle Plate	577 44 67-02	O3-4	Gable 1600
576 14 15-14	M2M4	Baffle Plate	577 44 67-03	O5	Gable flush left 1600
576 14 15-15	M2M4	Baffle Plate	577 44 67-04	O5	Gable flush right 1600
576 14 15-16	N2,5	Baffle plate	577 44 68-02	L2	Gable plate
576 14 15-17	N2	Baffle plate	577 44 68-03	M3	Gable plate
576 14 15-18	N2,5	Baffle plate	577 44 68-04	N3-4	Gable plate
576 14 15-19	N2,5	Baffle plate	577 44 68-06	O3-4	Gable plate
576 14 15-20	N4	Baffle plate	577 48 48-01	"L2-3M2,4 N2,5O2,5"	Hitch
576 14 15-21	N3,5	Baffle plate	577 48 49-01	"L2-3M2,4 N2O2"	Hitch
576 14 15-22	N3	Baffle plate	577 48 53-01	"L1M1N1 O1"	Turning knob
576 14 15-23	N4	Baffle plate	577 48 56-01	"L1M1N1 O1"	Washer
576 14 15-24	O3	Baffle plate	577 53 16-01	E	Stop washer
576 14 15-25	O4	Baffle plate	577 53 22-01	E	Flange, inner
576 14 15-26	O3-5	Baffle plate	577 53 28-01	E	Flange, inner 130
576 14 15-27	O3-5	Baffle plate	577 53 29-01	E	Screw MC6S 2,5x5
576 14 15-28	O3,5	Baffle plate	577 61 29-01	"L2M2N2 O2"	Link
576 14 15-29	O4	Baffle plate	577 61 30-01	"L2-3M2,4 N2,5O2,5"	Link
576 14 15-30	O2,5	Baffle plate	577 61 31-01	"L2-3M2,4 N2,5O2,5"	Link
576 14 15-31	O2	Baffle plate	577 61 36-01	L2	End cover
576 14 15-32	O2,5	Baffle plate	577 61 37-01	M3	End cover
576 14 15-33	O2,5	Baffle plate	577 61 38-01	N3-4	End cover
576 14 15-34	O4	Baffle plate	577 61 39-01	O3-4	End cover
576 14 15-35	O3,5	Baffle plate	577 61 40-01	"L1M1N1 O1"	Spray guard
576 14 15-38	O4,5	Baffle plate	577 65 97-01	L1	Bladeguard 800
576 14 15-39	O3,5	Baffle plate	577 65 98-01	L1	Centre section 800 complete
576 14 15-40	L2	Baffle Plate	577 66 00-01	L1	Gable section 800 complete
576 14 15-41	L2	Baffle Plate	577 66 01-01	M1	Bladeguard 1000
576 14 15-42	M2	Baffle Plate	577 66 02-01	M1	Centre section complete
576 14 15-43	M2	Baffle Plate	577 66 03-01	M1	Gable section complete
576 14 15-44	N2	Baffle plate	577 66 04-01	N1	Bladeguard 1200
576 14 15-45	N2	Baffle plate	577 66 05-01	N1	Centre section 1200 compl.
576 14 15-46	O2	Baffle plate	577 66 07-01	N1	Gable section right 1200 compl.
576 14 15-47	O2	Baffle plate	577 66 09-01	N1	Gable section left 1200 compl.
576 25 00-10	L2L3	Frame tube	577 66 10-01	O1	Bladeguard 1600
576 25 00-11	L2L3	Frame tube	577 66 11-01	O1	Centre section 1600 compl.
576 25 00-12	L2L3	Frame tube	577 66 12-01	O1	Gable section right 1600 cpl
576 25 00-13	L2	Frame tube	577 66 14-01	O1	Gable section left 1600 cpl
576 25 00-14	M2M4	Frame tube	577 69 92-01	"L1,3M1,4 N1,5O1,5"	Rail Fixture
576 25 00-15	M3M4	Frame tube	577 69 93-01	"L1,3M1,4 N1,5O1,5"	Rail Fixture
576 25 00-16	M3M4	Frame tube	577 71 07-01	"L2M3N3-4 O3-4"	Clip, brick
576 25 00-17	M3M4	Frame tube	577 71 08-01	"L2-3M2,4 N2,5O2,5"	Guide bar
576 25 00-18	M3M4	Frame tube	577 74 23-01	L3	Bladeguard flush 800
576 25 00-19	M3	Frame tube	577 74 24-01	M4	Bladeguard flush 1000
576 25 00-20	N2,5	Frame tube	577 74 25-01	N5	Bladeguard flush 1200 compl.
576 25 00-21	N3-5	Frame tube	577 74 26-01	O5	Bladeguard flush 1600 compl.
576 25 00-22	N3-5	Frame tube	577 74 27-01	L3	Centre section 800 flush cpl.
576 25 00-23	N3-5	Frame tube	577 74 28-01	L3	Gable section flush Left cpl.
576 25 00-24	N3-5	Frame tube	577 74 29-01	L3	Gable section flush Right cpl.
576 25 00-25	N3-4	Frame tube	577 74 30-01	M4	Gable section flush Left cpl.
576 25 00-26	O2,5	Frame tube	577 74 32-01	M4	Gable section flush Right cpl.
576 25 00-27	O3-5	Frame tube	577 74 40-01	L3	End Cover
576 25 00-28	O3-5	Frame tube	577 74 41-01	L3	End Cover
576 25 00-29	O3-5	Frame tube	577 74 42-01	M4	End Cover
576 25 00-30	O3-5	Frame tube	577 74 43-01	M4	End Cover
576 25 00-31	O3-4	Frame tube			
576 65 89-01	J	Support screw			
577 44 55-01	N1,5	Guide rail			
577 44 62-02	"L2M2N2 O2"	End fitting			
577 44 62-03	"L3M4N5 O5"	End fitting			
577 44 63-02	L2	Gable			
577 44 63-03	L3	Gable			
577 44 63-04	L3	Gable			
577 44 64-02	M3	Gable			
577 44 64-03	M4	Gable			
577 44 64-04	M4	Gable			

No.	Pos.	Description	No.	Pos.	Description
577 74 44-01	N5	End cover	580 68 13-02	M1M3	Gable section 1000
577 74 45-01	N5	End cover	580 68 13-03	N1,4	Gable section right 1200
577 74 46-01	O5	End cover	580 68 13-04	N1,3	Gable section left 1200
577 74 47-01	O5	End cover	580 68 13-05	O1,4	Gable section right 1600
577 74 48-01	"L3M4N5 O5"	Holder	580 68 13-06	O1,3	Gable section left 1600
577 74 50-01	"L3M4N5 O5"	U-list centre	580 68 18-01	L3M4	Knob
577 74 51-03	L3	U-list gable left 800	580 68 76-01	N1,5O1,5	Bracket
577 74 51-04	M4	U-list gable left 1000	580 68 76-02	N1,5O1,5	Angle bracket
			580 90 22-01	N1,5O1,5	Bar
			580 95 79-01	"L2M3N3-4 O3-4"	Gasket
577 74 51-05	N5	U-list gable left 1200	580 96 45-01	"L1M1N1 O1"	V-ring
577 74 51-06	O5	U-list gable left 1600	580 96 46-01	"L1M1N1 O1"	Plug
577 74 52-03	L3	U-list gable right 800	580 97 65-01	N1,5O1,5	Hook
577 74 52-04	M4	U-list gable right 1000	581 00 61-01	N1,5O1,5	Support bar assy
577 74 52-05	N5	U-list gable right 1200	581 28 51-01	"L2,3M2,4 N2,5O2,5"	Rivet
577 74 52-06	O5	U-list gable right 1600	720 12 71-50	G	Cylindrical pin 4x18
577 86 61-01	A	Saw handle	720 13 08-50	EG	Cylindrical pin 5x16
577 88 01-01	A	Housing	720 13 51-50	D	Cylindrical pin 6x16
577 90 30-01	M4	Centre section 1000 flush cpl.	720 13 52-51	H	Cylindrical pin 6x18
578 84 82-01	G	Plate	720 13 53-50	J	Cylindrical pin 6x20
			720 13 65-51	J	Cylindrical pin 6x50
578 84 83-01	G	Holder	721 42 58-00	F	Spring pin 4x25
578 84 84-01	G	Holder	723 53 66-51	E	Screw MFS 6x12
578 84 85-01	G	Block	725 25 43-51	H	Screw M6S 12x55
578 98 77-01	"L1-3M1-4 N1-5O1-5"	Rivet	725 25 44-91	D	Screw M6S 12x60
579 43 67-01	"L1,3M1,4 N1,5O1,5"	Guide	725 52 89-01	D	Screw MC6S 4x10
579 52 07-01	N1,5O1,5	Hook	725 53 01-51	B	Screw MC6S 4x35 12.9
579 53 17-01	"L1M1N1 O1"	Cone	725 53 41-01	K	Screw MC6S 5x50
			725 53 62-01	K	Screw MC6S M6x8
579 56 58-01	"L1,3M1,4 N1,5O1,5"	Screw MF6S 6x16 Bluepatch	725 53 64-01	H	Screw MC6S 6x10
579 56 59-01	"L1,3M1,4 N1,5O1,5"	Screw MC6S 6x10 Bluepatch	725 53 68-01	GK	Screw MC6S 6x16
579 56 60-01	"L2,3M2,4 N2,5O2,5"	Screw MK6S 6x10 Bluepatch	725 53 70-01	G	Screw MC6S 6x20
579 56 61-01	"L1,3M1,4 N1,5O1,5"	Screw MK6S 8x12 Bluepatch	725 53 76-01	F	Screw MC6S 6x35
579 56 62-01	N1O1	Screw	725 53 78-01	F	Screw MC6S 6x40
580 26 20-01	"L1M1N1 O1"	Screw	725 54 51-01	A	Screw MC6S 8x20
			725 54 53-01	FG	Screw MC6S 8x25
580 26 21-01	"L1M1N1 O1"	Nut	725 54 64-01	D	Screw MC6S 8x65
580 26 22-01	"L1M1N1 O1"	Hook	725 54 93-01	G	Screw MC6S 10x25
580 32 33-01	"L1,3M1,4 N1,5O1,5"	Guide	725 62 87-01	D	Screw MF6S 4x8
580 32 73-01	"L1M1N1 O1"	Screw MF6S 4x10 Bluepatch	725 63 27-51	AEFK	Screw MF6S 5x12 10.9
580 32 74-01	"L1M1N1 O1"	Pin CPK 2x10 DIN6325	725 63 28-51	"N1N5O1 O5"	Screw
580 39 62-01	G	Locking pin	725 63 30-51	K	Screw MF6S 5x16 10.9
580 41 24-01	D	O-ring 71x4,5	725 63 66-51	E	Screw MF6S 6x12 10.9
580 42 49-02	D	Nut incl. O-ring	725 63 68-51	DK	Screw MF6S 6x16 10.9
580 43 28-01	G	Bearing	725 63 70-51	"EKN2 O2"	Screw MF6S 6x20 10.9
580 43 29-01	K	Bearing	725 64 47-51	E	Screw MF6S 8x12 10.9 fzb
580 44 81-01	G	Guide wheel concentric compl.	725 64 89-51	E	Screw MF6S 10x16 10.9
580 44 82-01	G	Guide wheel excentric compl.	728 72 89-05	C	Stop screw S6SS 4x10
580 44 83-01	G	Sleeve	728 83 27-05	J	Stop screw SK6SS 5x12
			728 83 64-05	G	Stop screw SK6SS 6x10
580 56 61-01	N1	Angle bracket	731 43 20-01	"KN1,5 O1,5"	Nut M10 low
580 64 54-01	"L1M1N1 O1"	Knob assy	732 25 14-01	K	Nut M5 Nylock
580 67 76-01	K	Guide wheel fixed	732 25 16-01	N2O2	Nut
580 67 76-02	K	Guide wheel adjustable	732 25 22-71	DJ	Locking nut M12
580 68 12-01	L1L2	Centre section 800	734 11 35-71	G	Washer 4.3x8
580 68 12-02	M1M2	Centre section 1000	734 11 52-01	AN2O2	Washer 6.4x12
580 68 12-03	N1-2	Centre section 1200	734 11 63-01	DFH	Washer 8.4x16
580 68 12-04	O1-2	Centre section 1600	735 31 28-10	G	Seeger circlip
580 68 13-01	L1L2	Gable section 800	735 31 30-10	F	Seeger circlip SGH 30
			735 31 33-00	C	Seeger circlip SGA 35
			735 31 33-10	K	Seeger circlip SGH 35
			738 21 05-00	D	Bearing
			738 21 10-04	C	Bearing 6010-2RS1

No.	Pos.	Description	No.	Pos.	Description
740 38 18-01	B	Sealing ring 1/8			
740 38 27-01	EQ	Sealing ring 1/4			
740 38 34-01	Q	Sealing washer 3/8"			
740 42 07-00	E	O-ring 9,1x1,6			
740 43 07-00	FH	O-ring 9,3x2,4			
740 43 09-00	BF	O-ring 11,3x2,4			
740 43 11-00	D	O-ring 13,3x2,4			
740 44 04-00	F	O-ring 19,2x3			
740 44 05-00	E	O-ring 22,2x3			

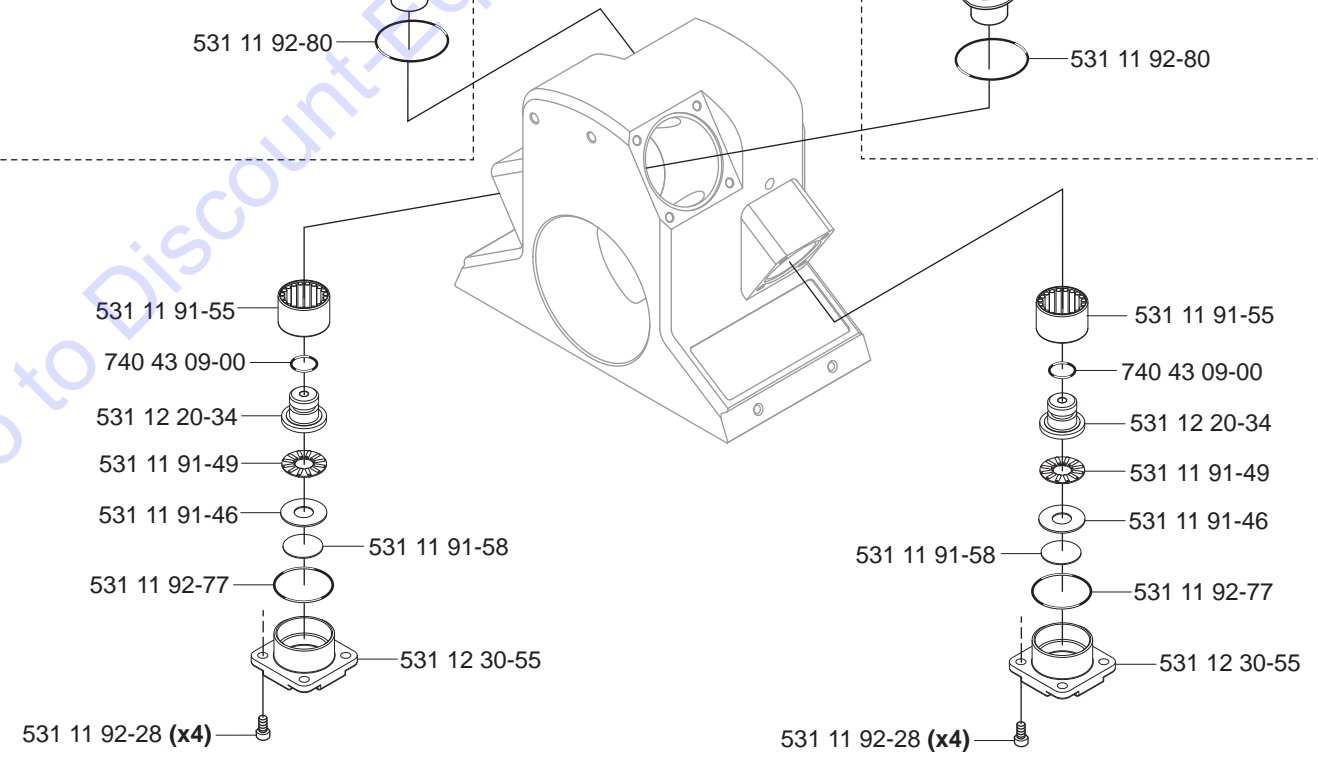
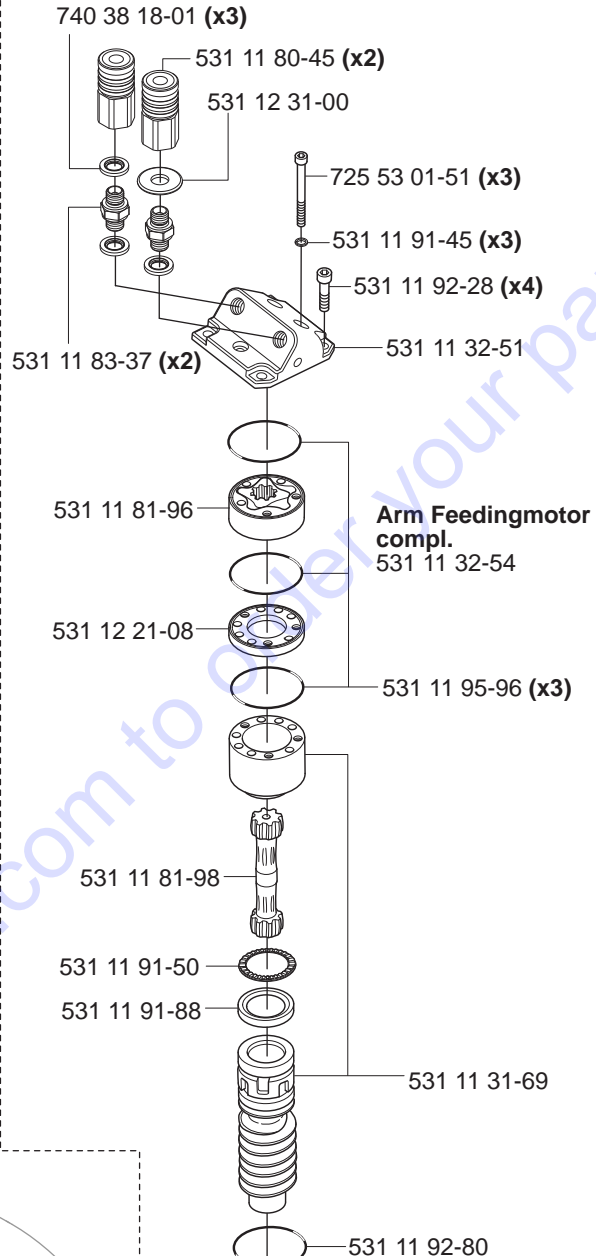
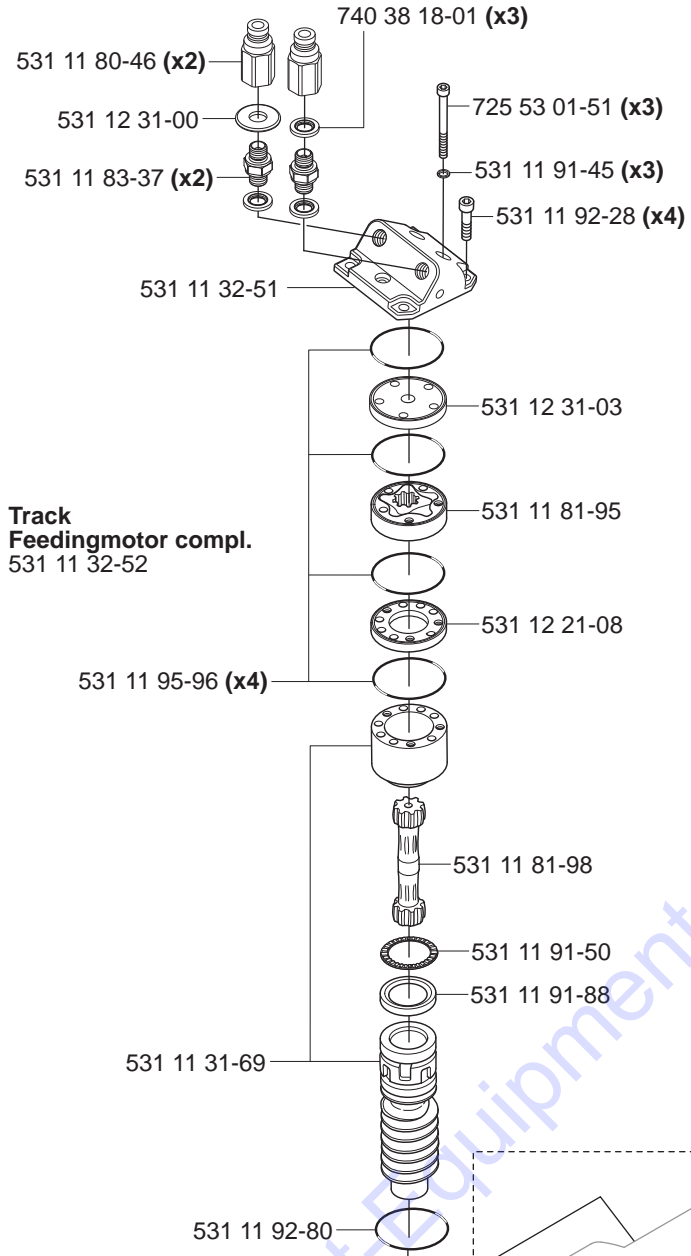
Go to Discount-Equipment.com to order your parts



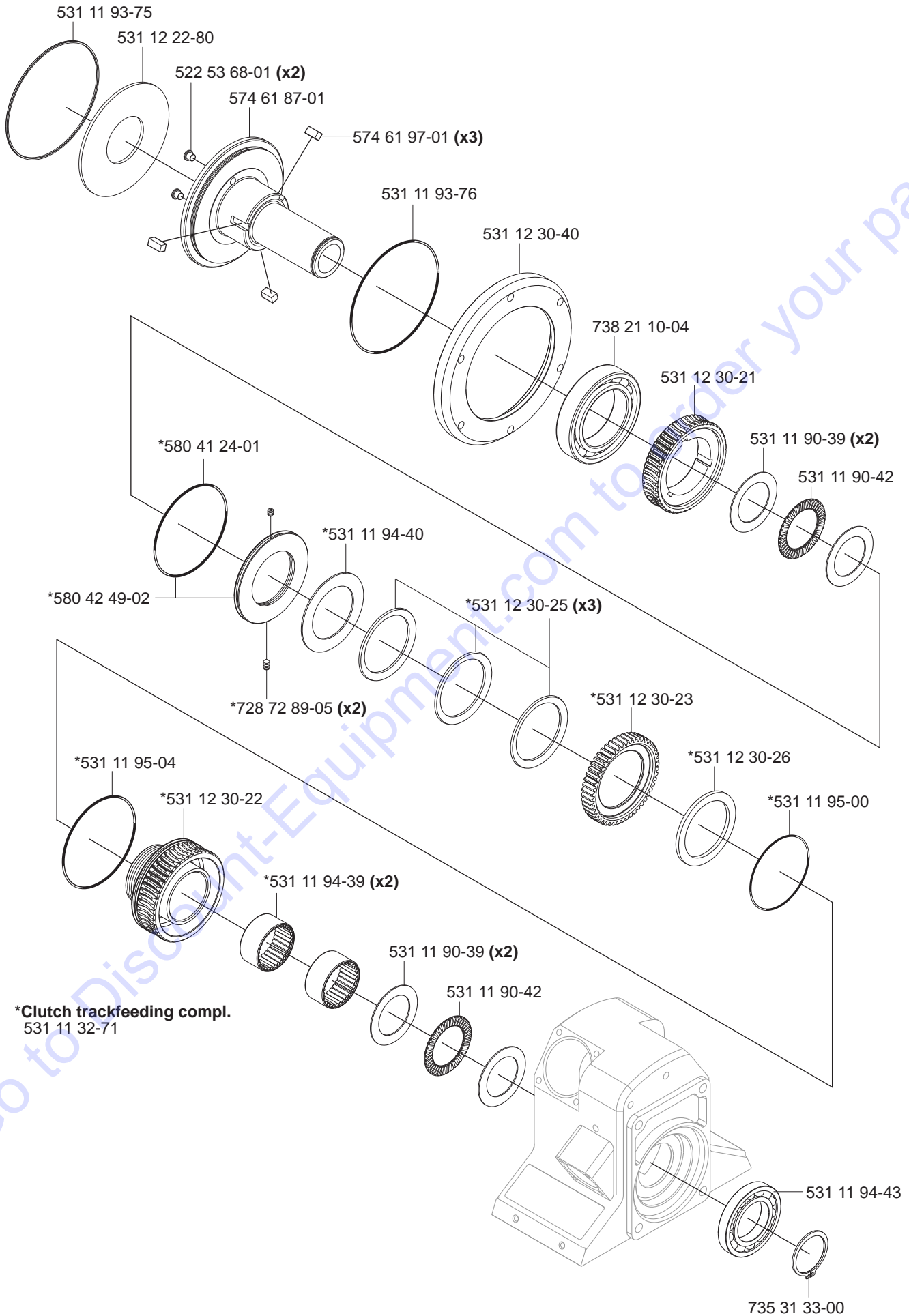
Go to Discount-Equipment.com to order your parts



**B** WS 463



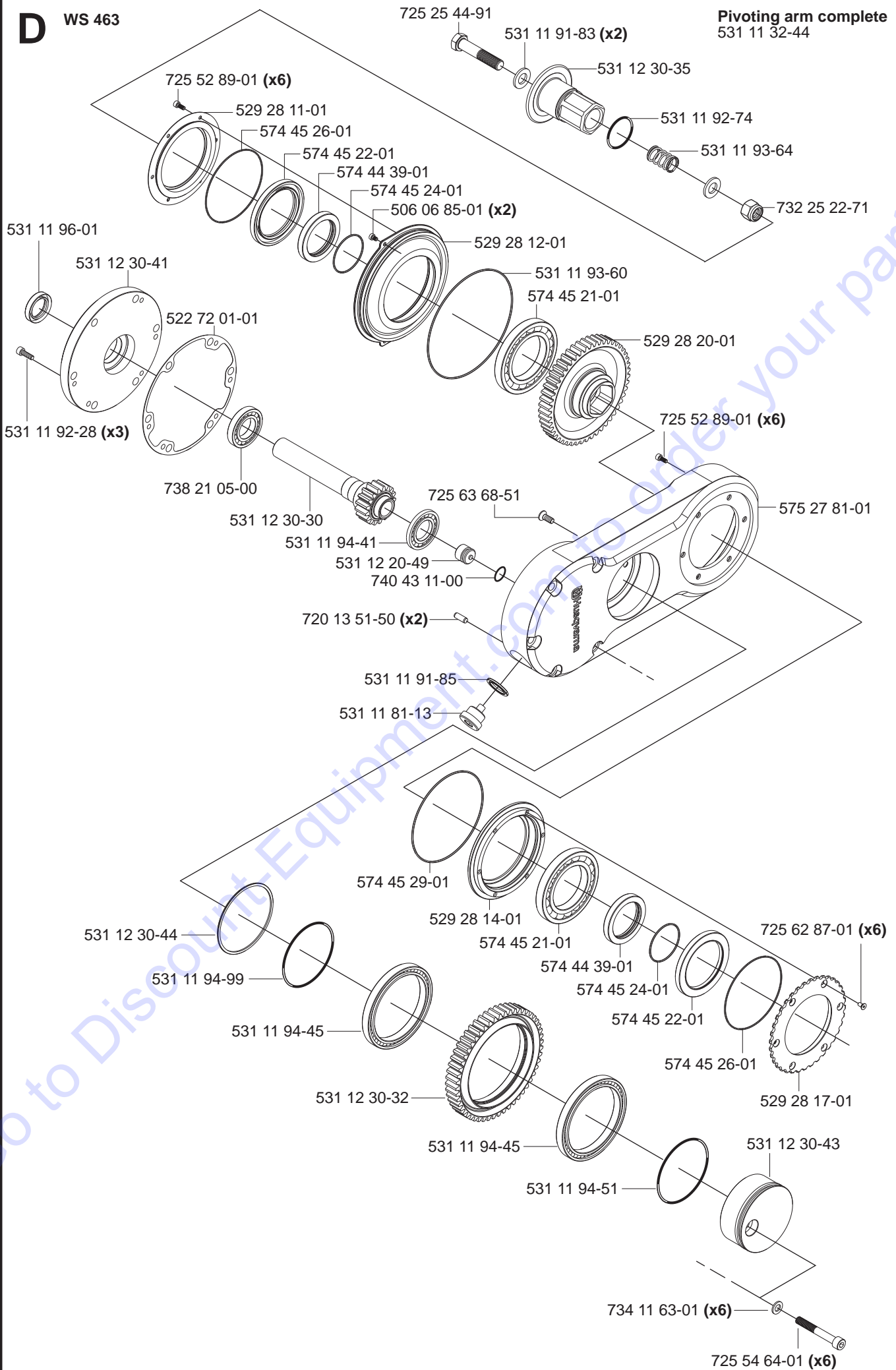
**C** WS 463



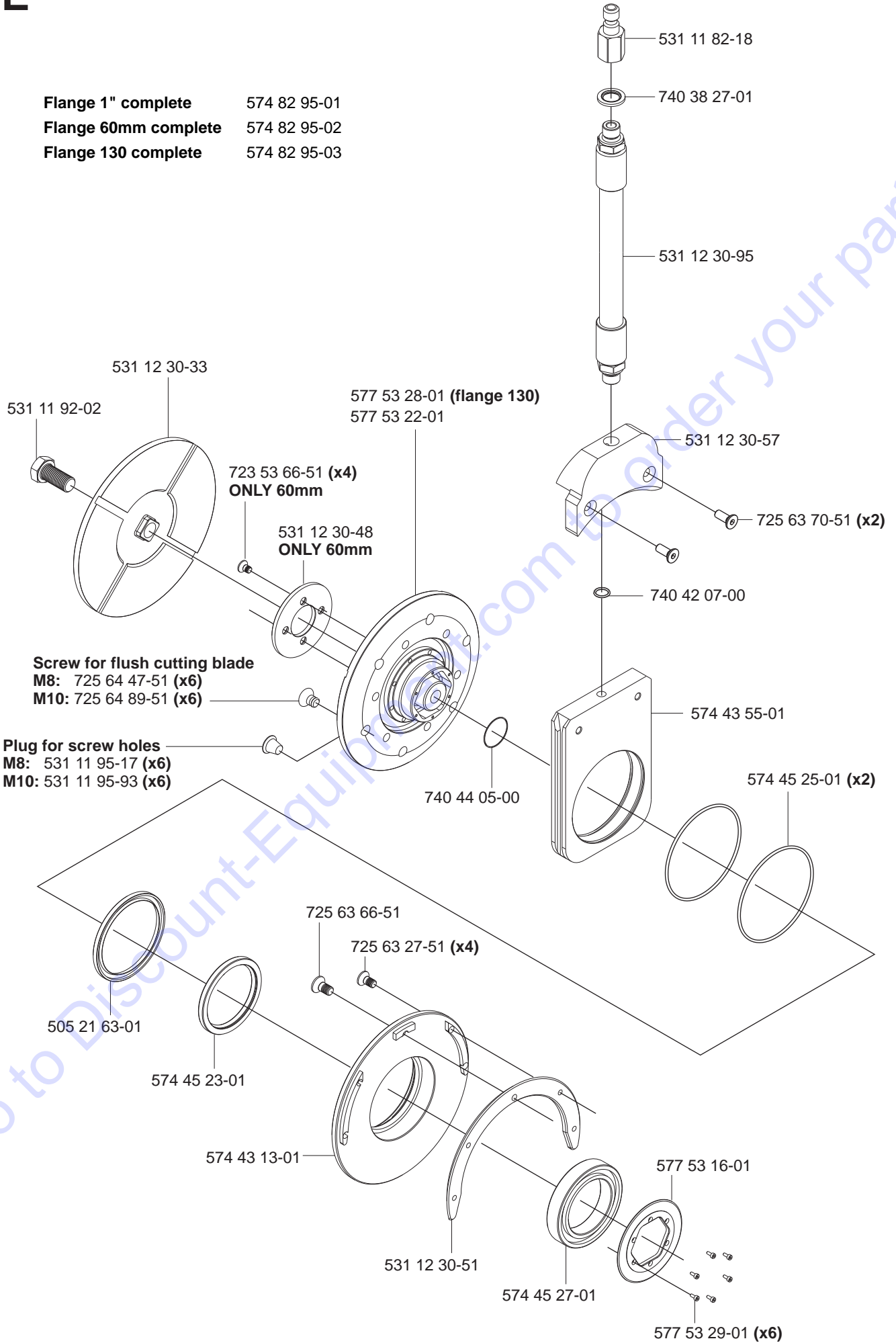
**D**

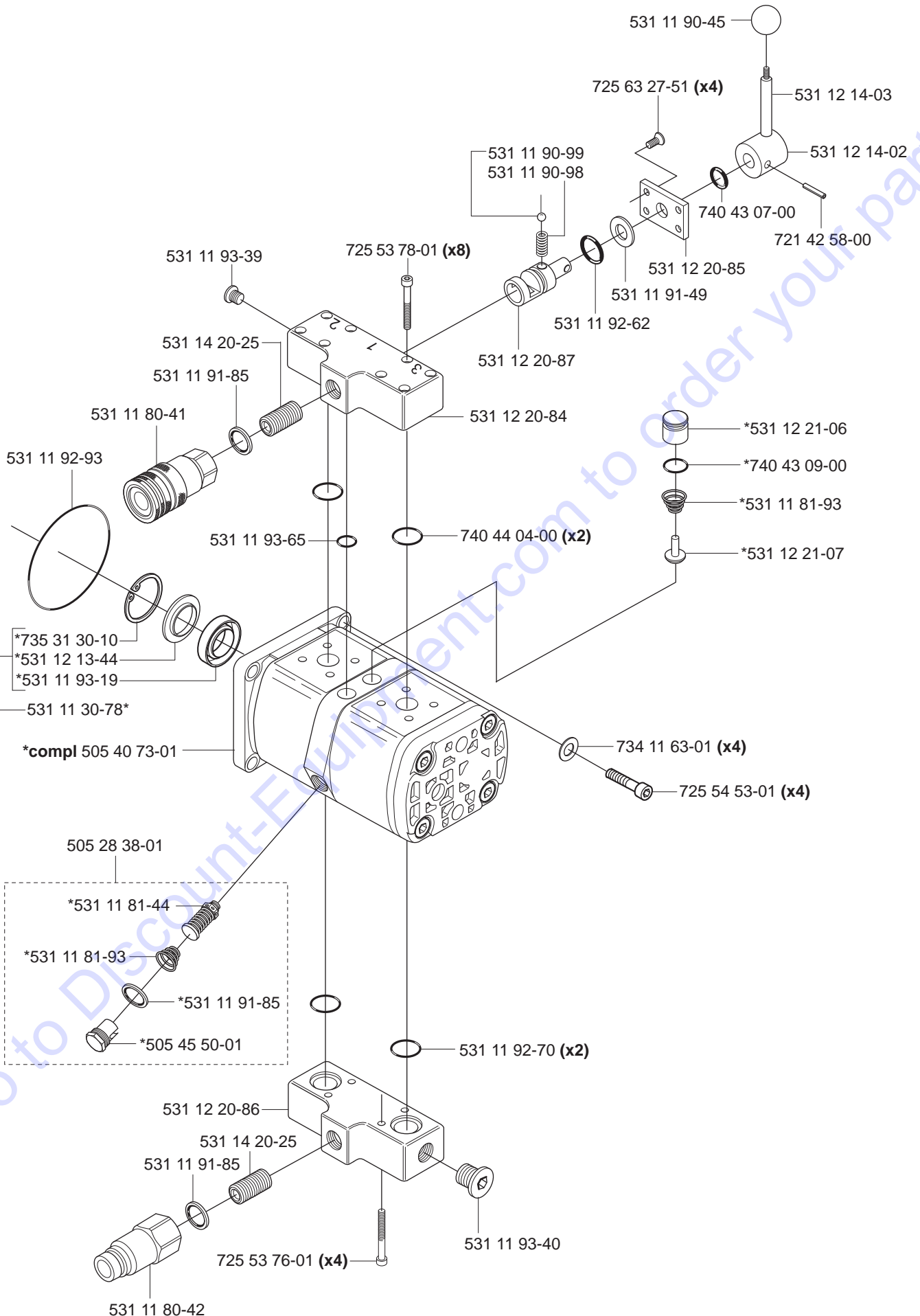
**WS 463**

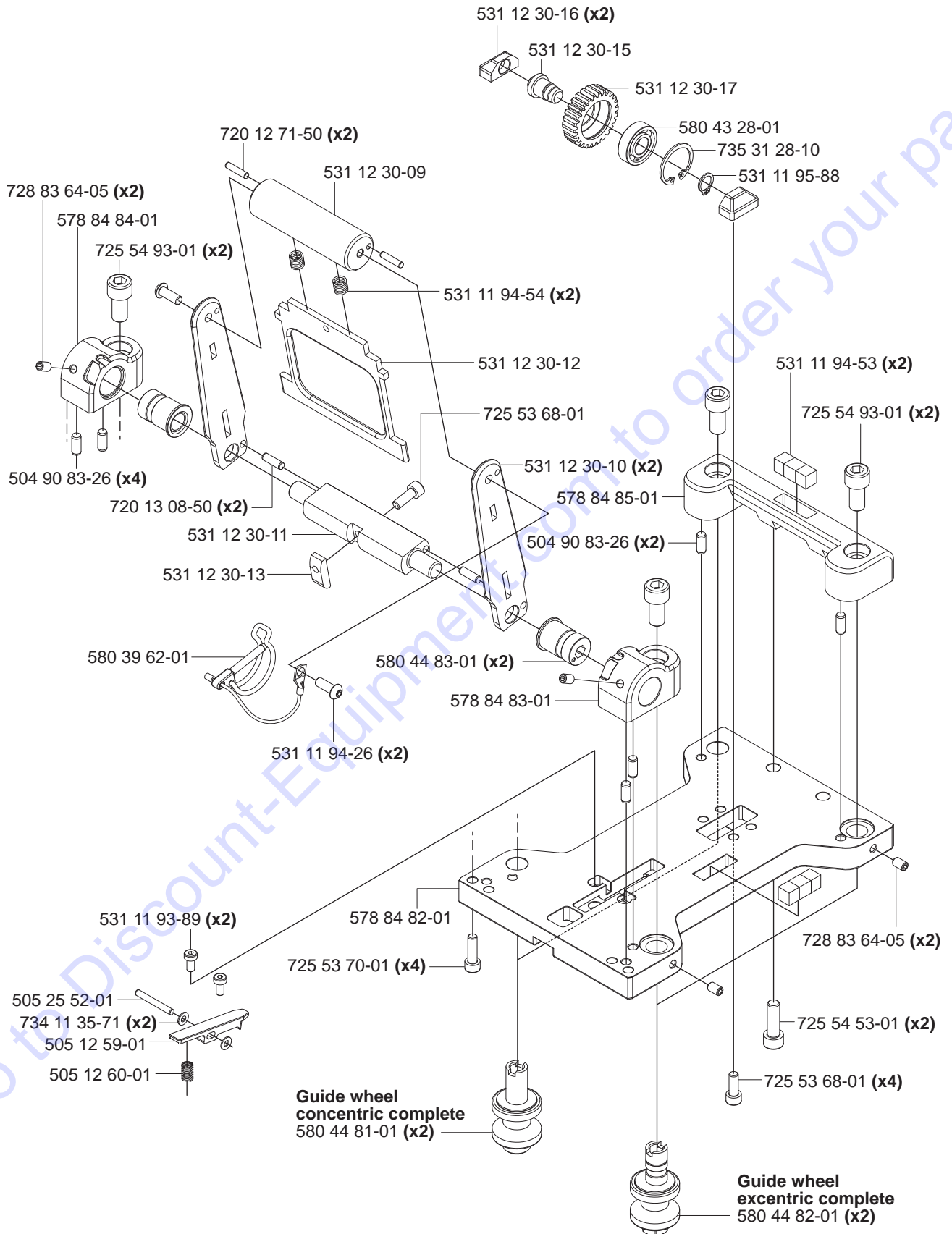
**Pivoting arm complete**  
531 11 32-44



- Flange 1" complete** 574 82 95-01
- Flange 60mm complete** 574 82 95-02
- Flange 130 complete** 574 82 95-03



**F****WS 463****Hydraulic motor complete 531 11 32-55**

**G****WS 463 Saw carriage 400 complete 505 22 69-03**

**H**

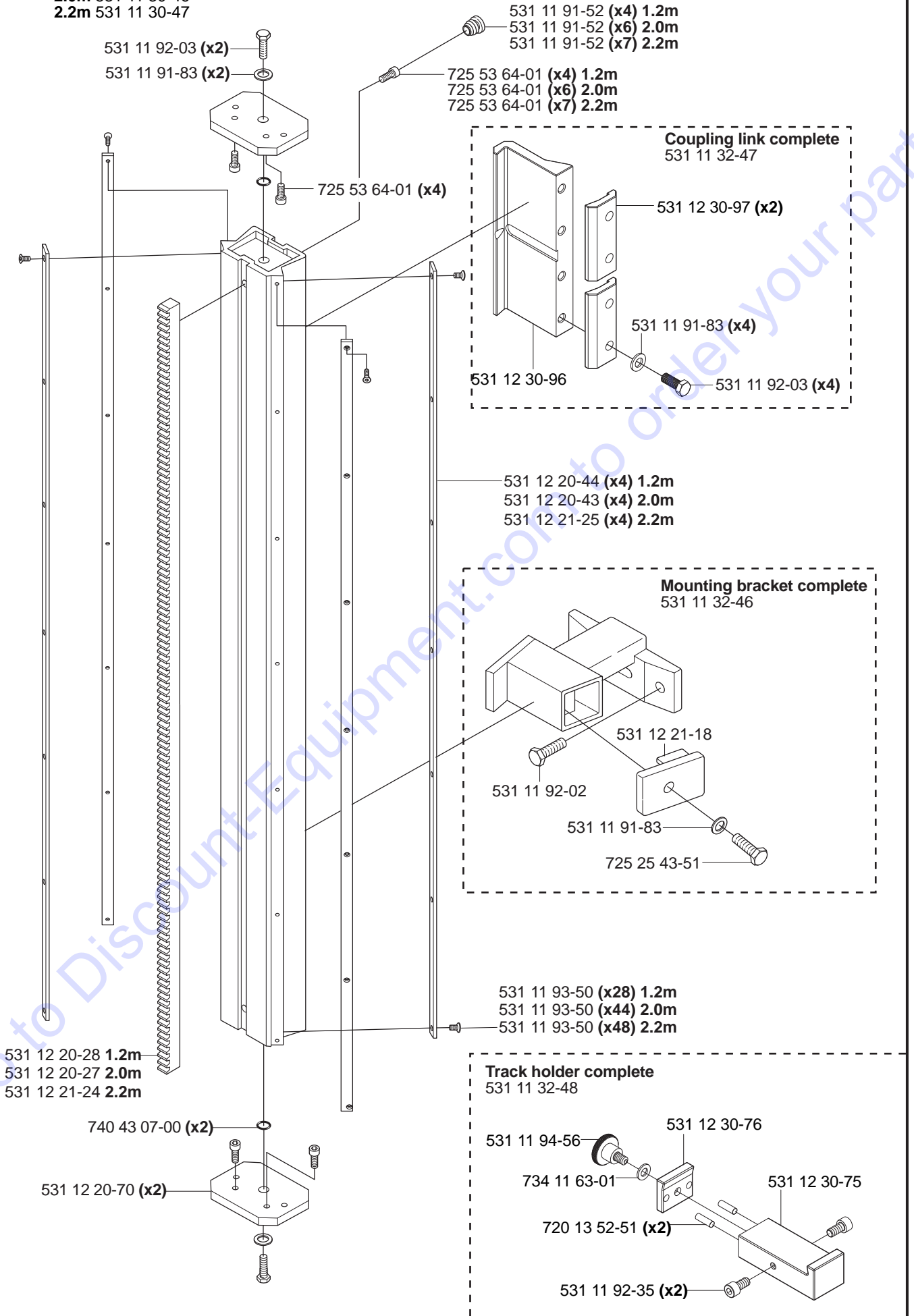
WS 463

**Track complete**

1.2m 531 11 30-45

2.0m 531 11 30-46

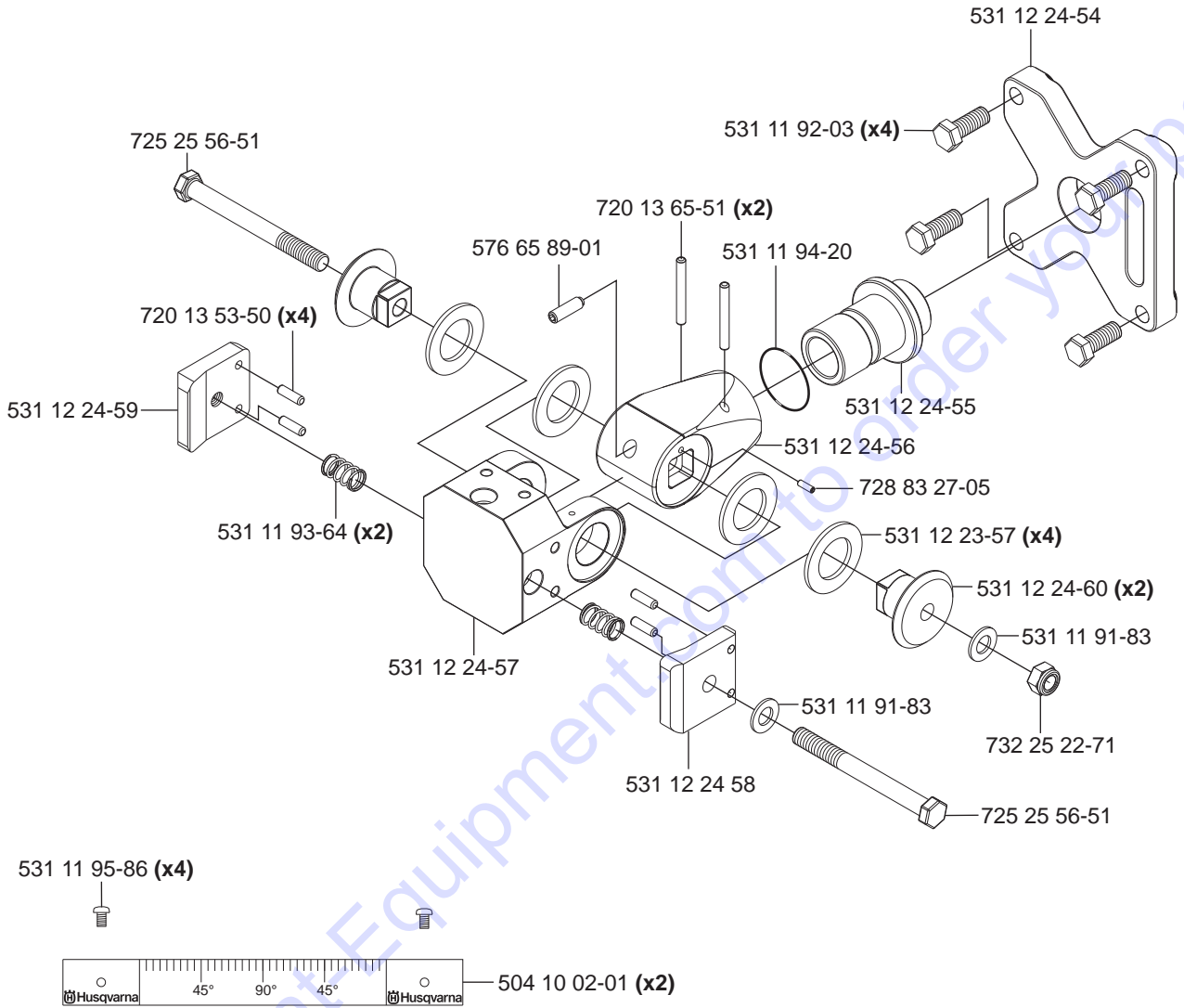
2.2m 531 11 30-47



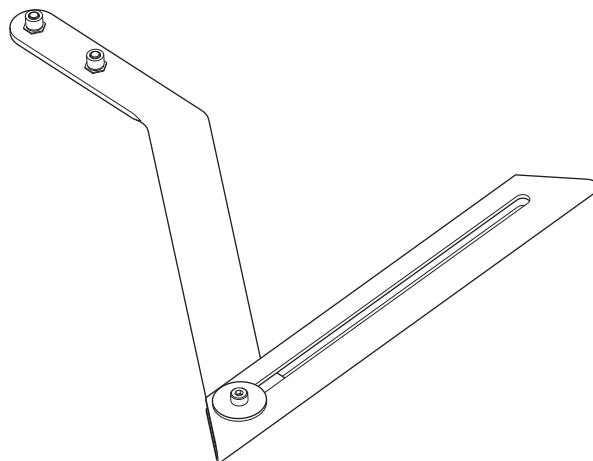
**J****WS 463**

Tillbehör  
 Accessories  
 Zubehöre  
 Accessoires  
 Accesorios

**Mounting bracket Universal  
 compl. 531 11 32-00**



**Measure rod complete 531 11 32-65**



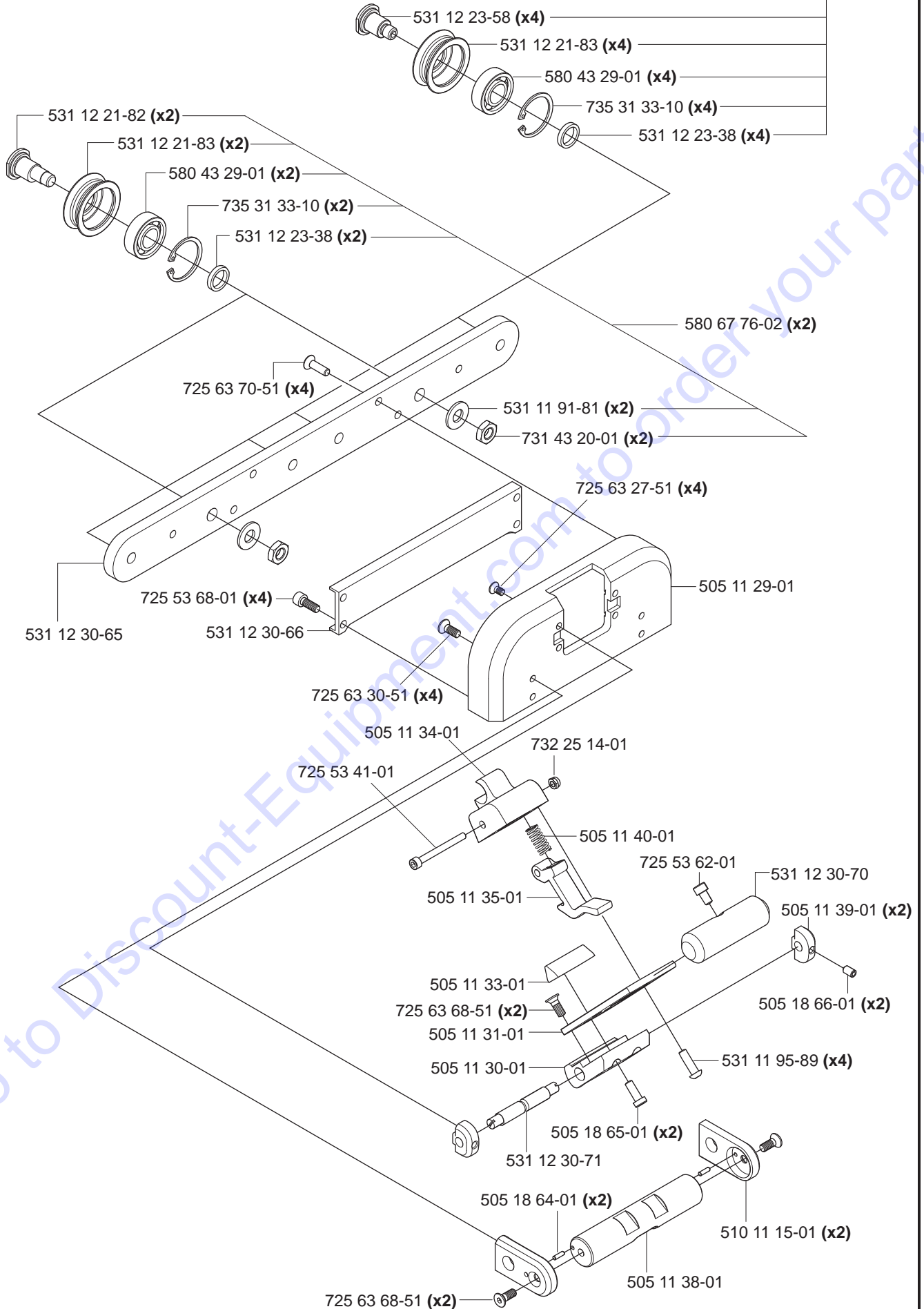


**K**

WS 463

Blade guard guide Complete 580 67 77-01

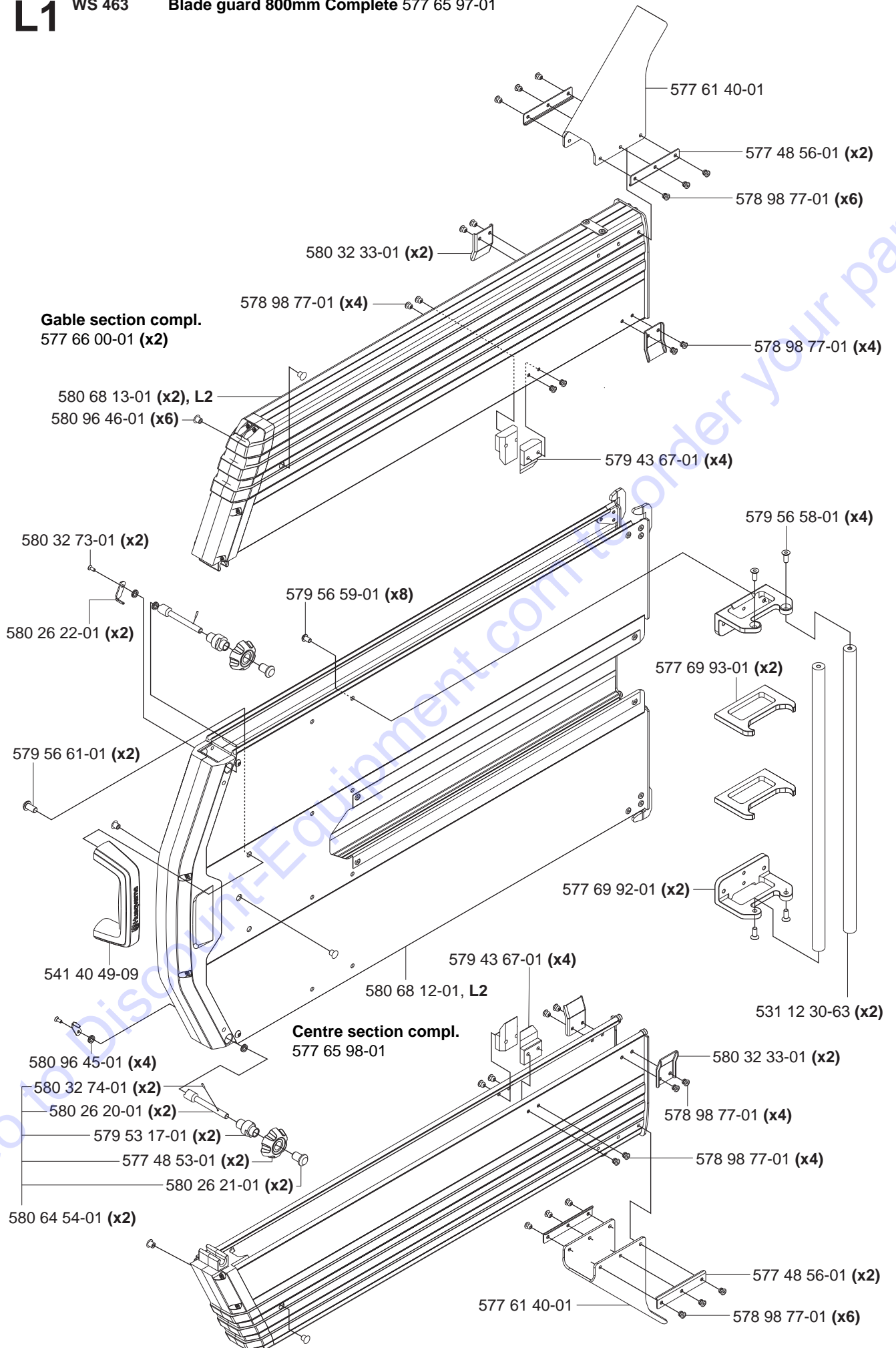
580 67 76-01 (x4)



L1

WS 463

Blade guard 800mm Complete 577 65 97-01

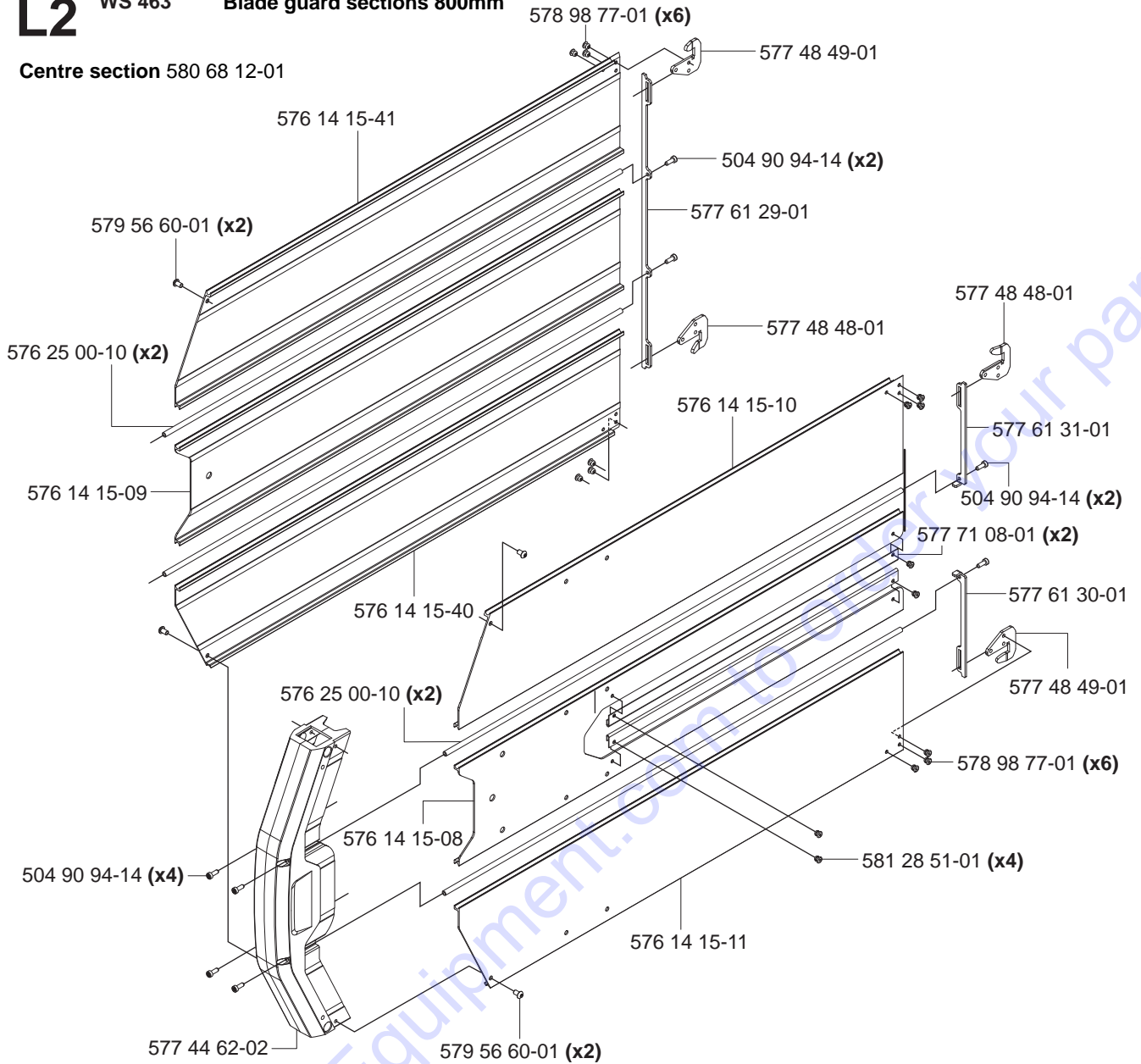


# L2

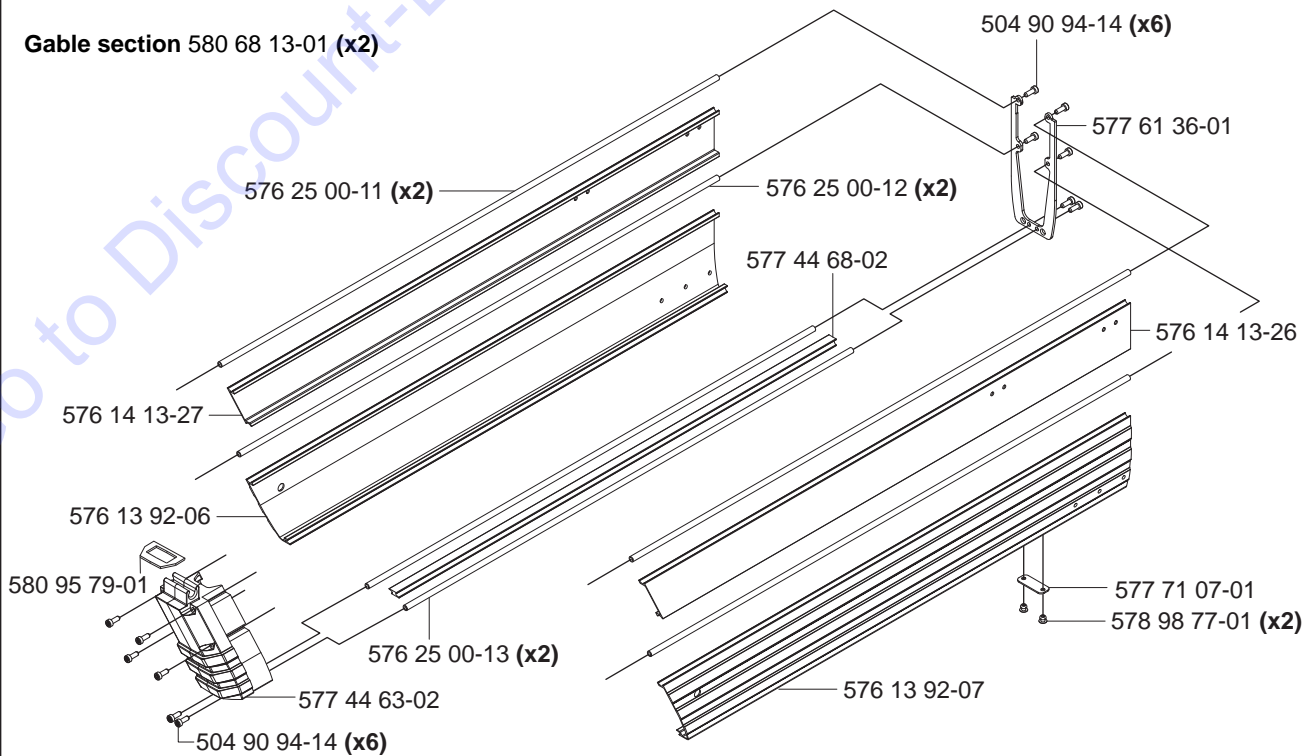
WS 463

Blade guard sections 800mm

Centre section 580 68 12-01



Gable section 580 68 13-01 (x2)

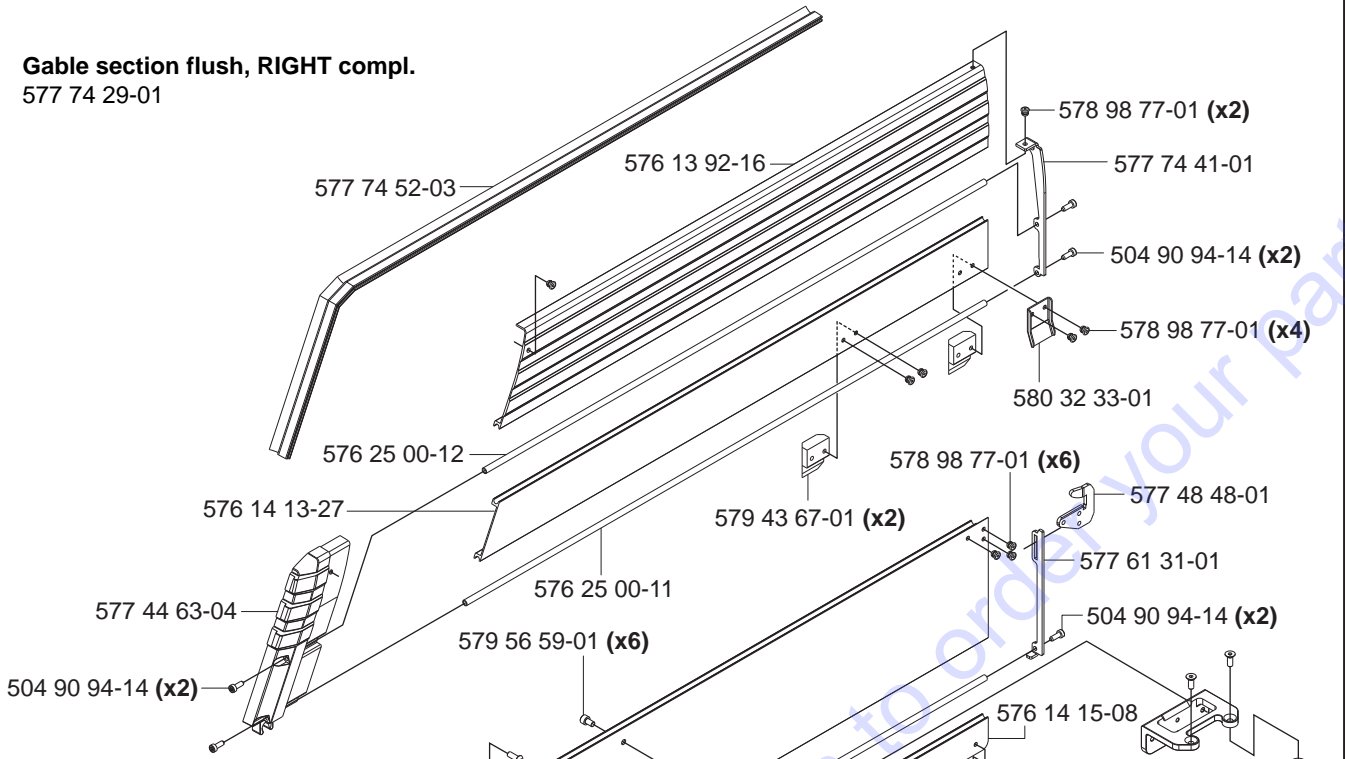


**L3**

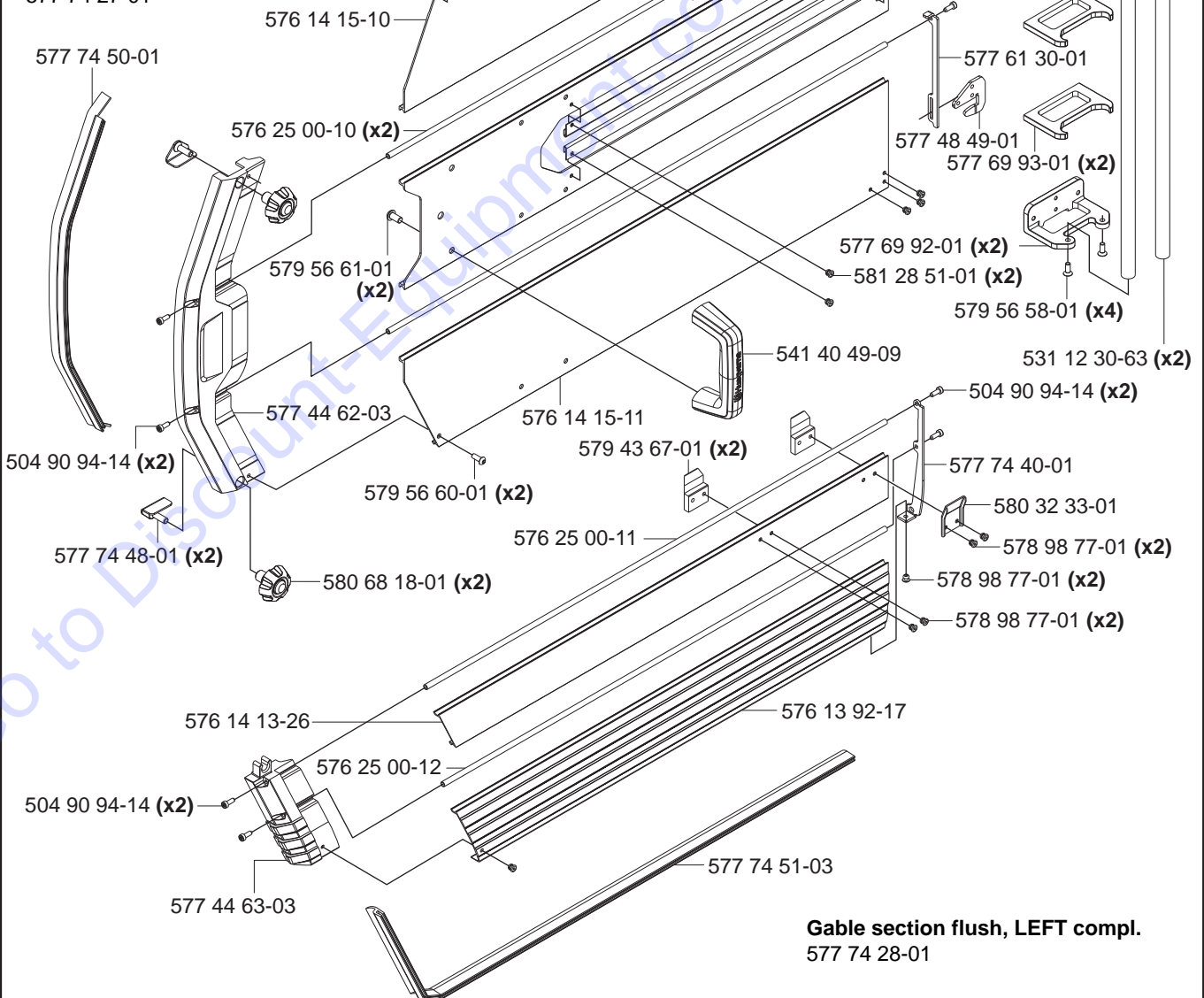
WS 463

Flush blade guard 800mm complete 577 74 23-01

**Gable section flush, RIGHT compl.**  
577 74 29-01



**Centre section flush compl.**  
577 74 27-01

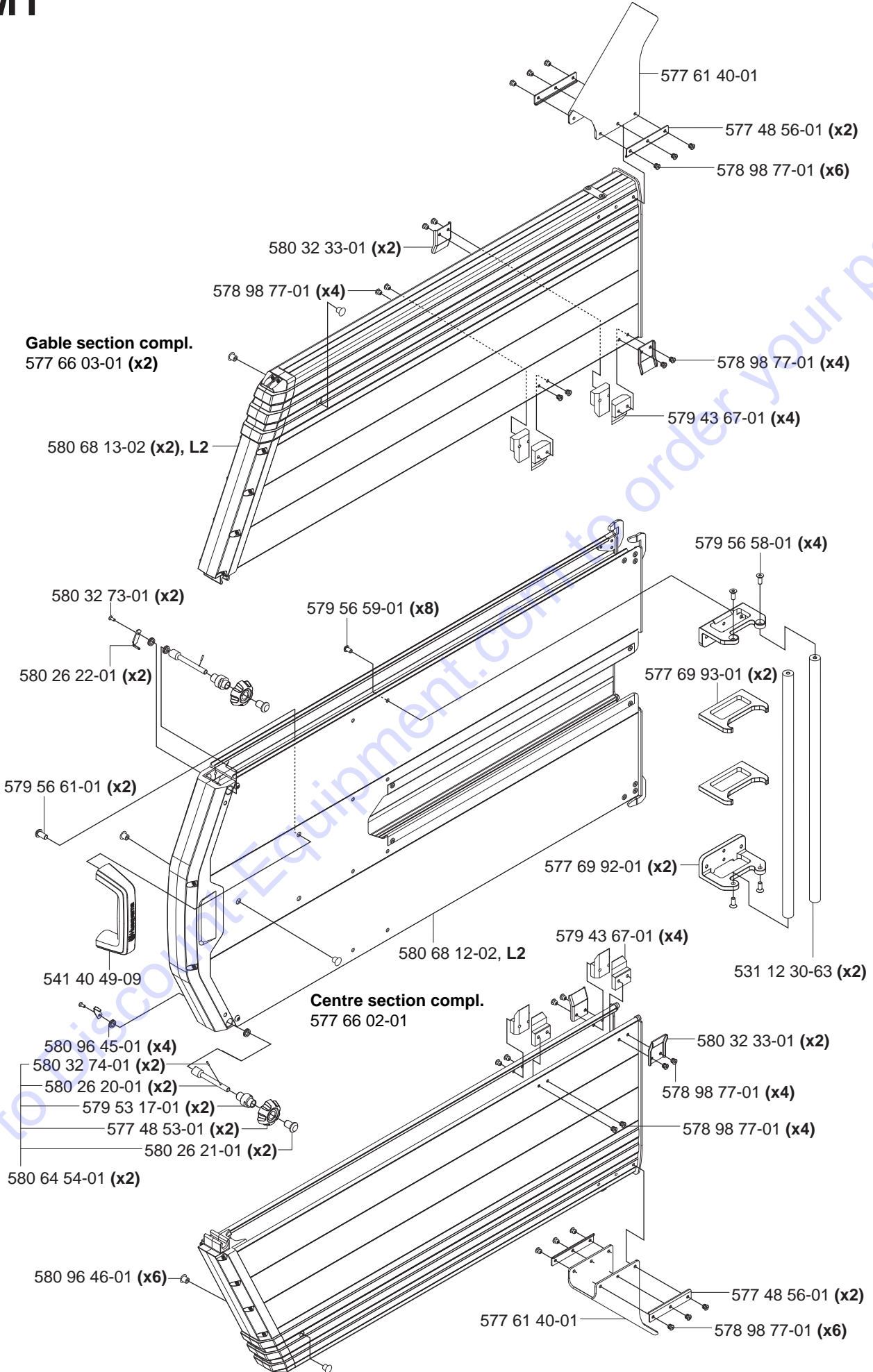


**Gable section flush, LEFT compl.**  
577 74 28-01

# M1

WS 463

Blade guard 1000mm Complete 577 66 01-01

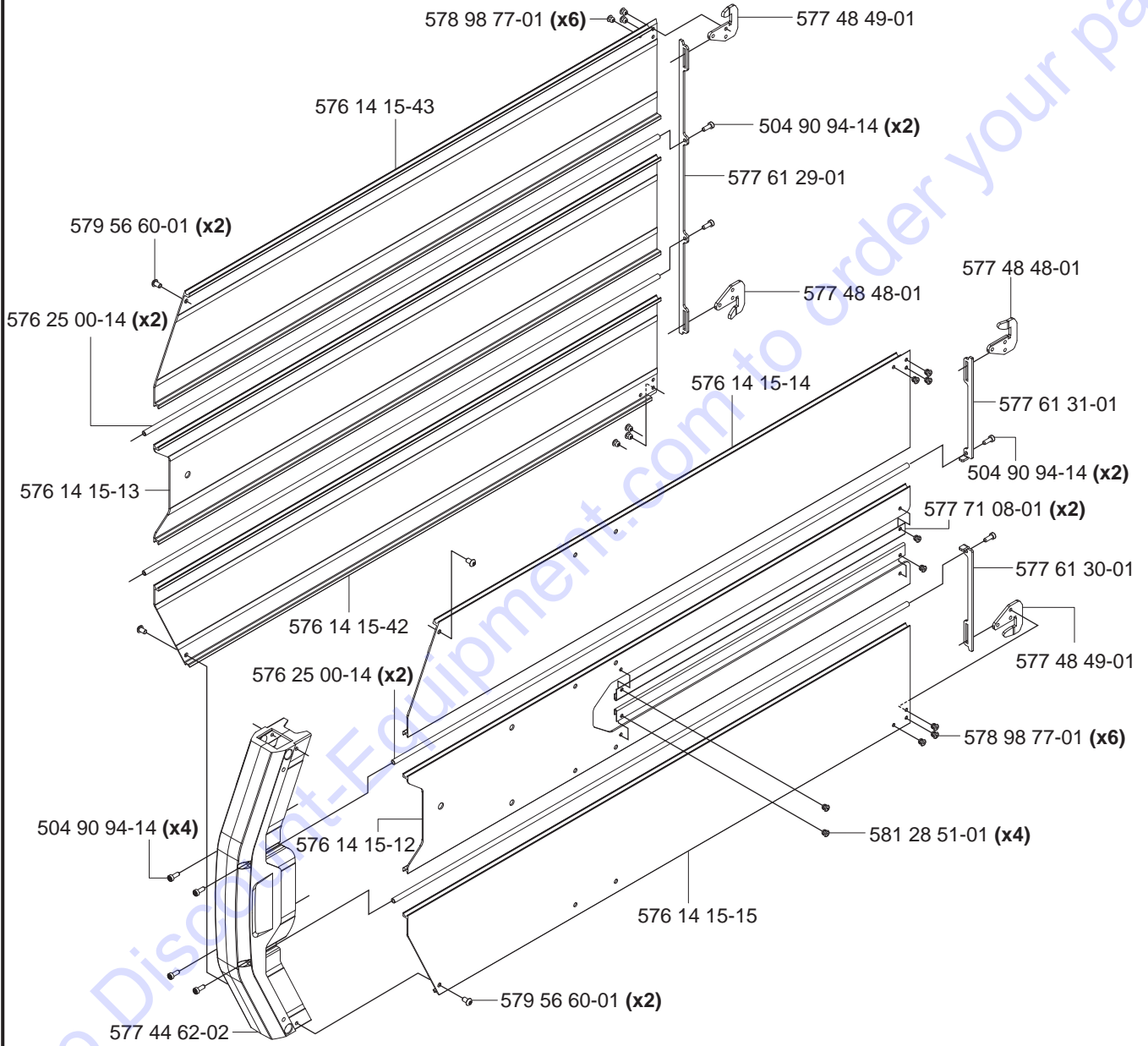


**M2**

WS 463

Blade guard centre section 1000mm

Centre section assy 580 68 12-02

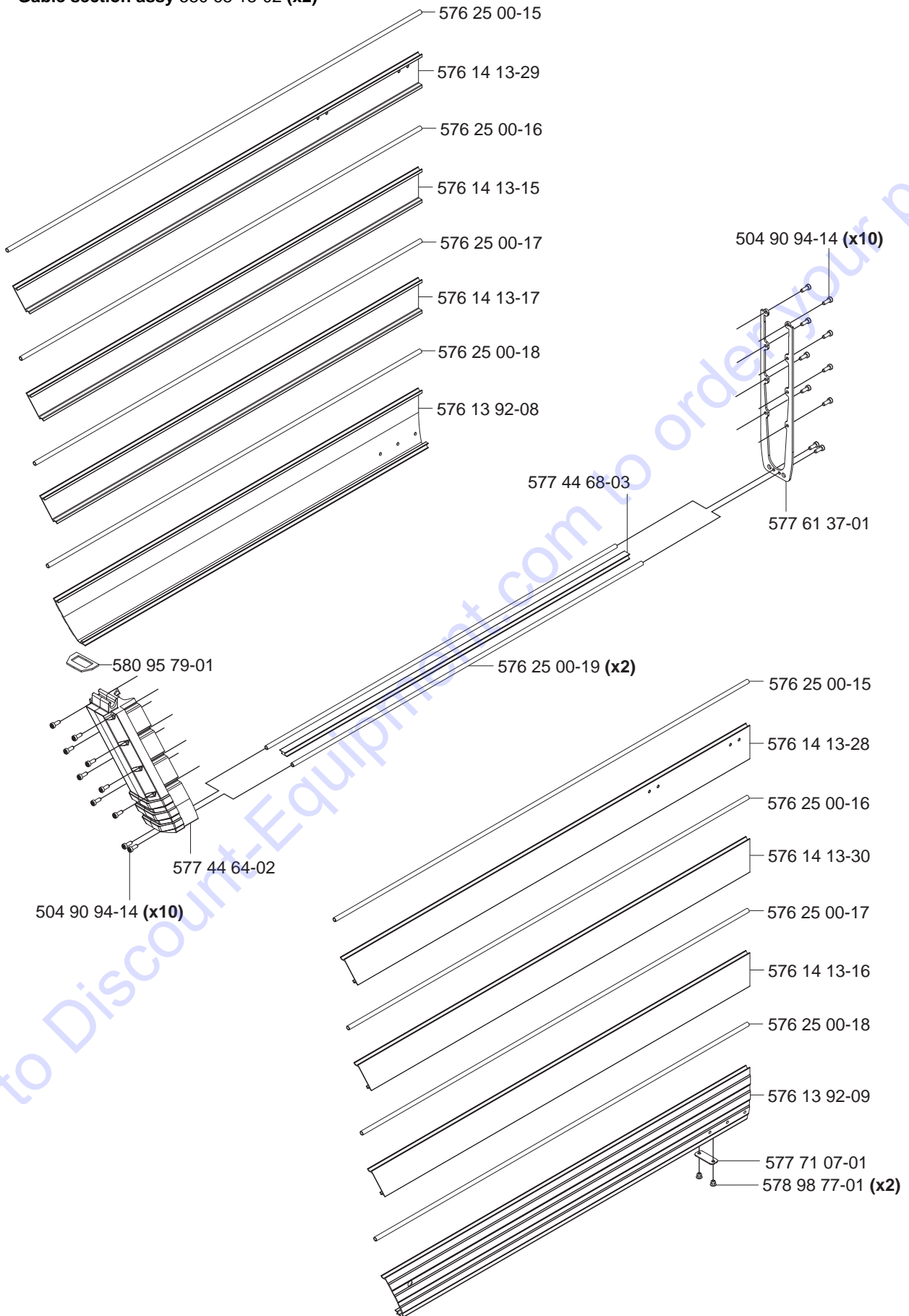


**M3**

WS 463

Blade guard gable section 1000mm

**Gable section assy 580 68 13-02 (x2)**

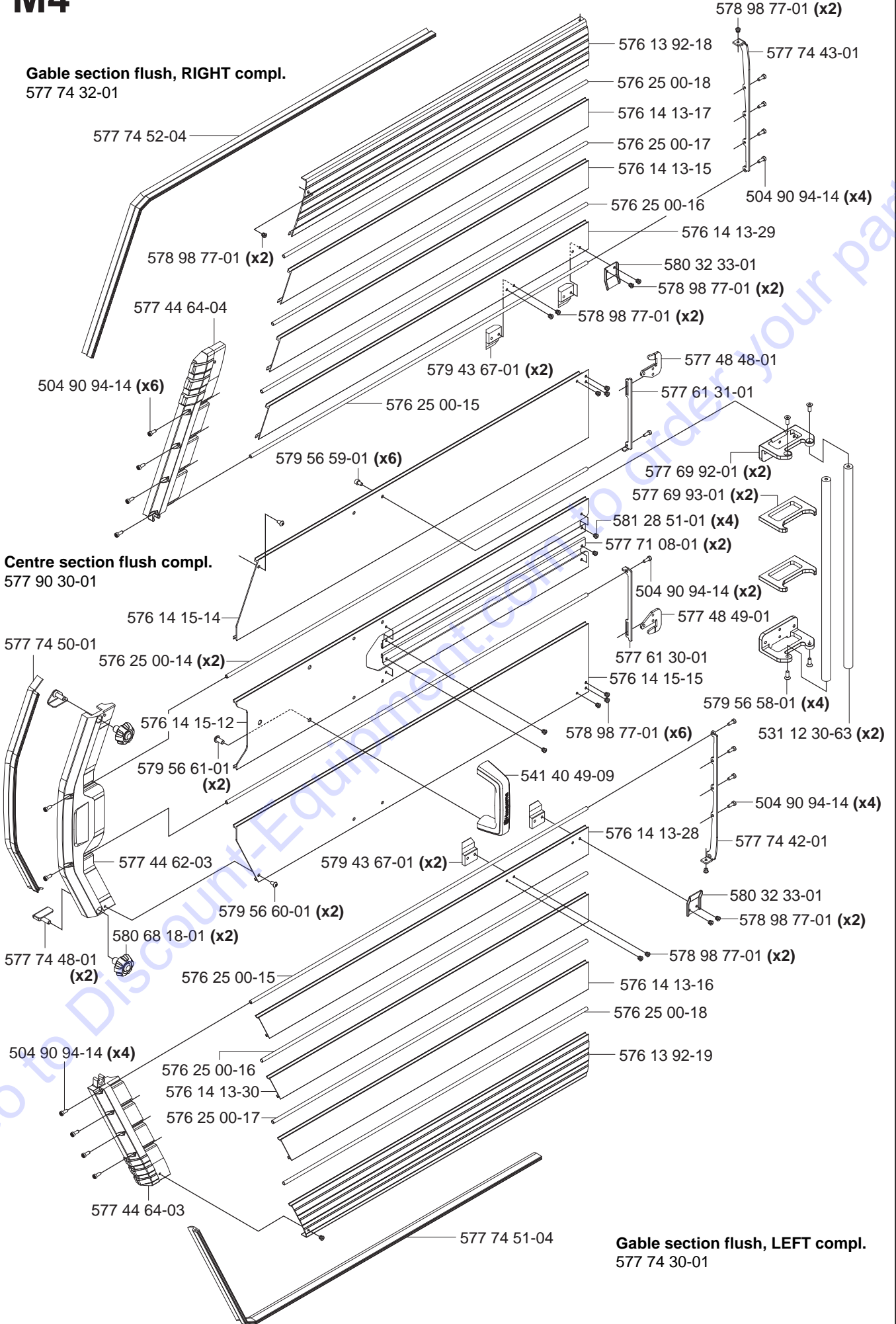


# M4

WS 463

Flush blade guard 1000mm complete 577 74 24-01

**Gable section flush, RIGHT compl.**  
577 74 32-01



**Centre section flush compl.**  
577 90 30-01

**Gable section flush, LEFT compl.**  
577 74 30-01



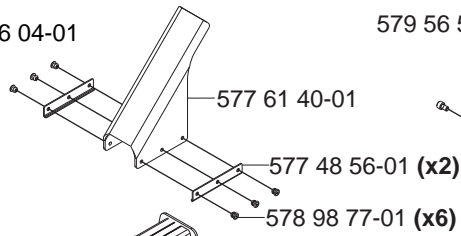
# N1

WS 463

Blade guard 1200 mm 577 66 04-01

579 56 58-01 (x4)

**Gable section right compl.**  
577 66 07-01



578 98 77-01 (x8)

580 32 33-01 (x2)

577 44 55-01 (x4)

580 96 46-01 (x6)

579 56 62-01 (x4)

725 63 28-51 (x8)

580 68 76-01 (x4)

531 11 90-80 (x4)

580 68 13-03, N4

579 52 07-01 (x2)

**Centre section compl.**  
577 66 05-01

579 56 59-01 (x4)

579 56 62-01 (x4)

580 32 73-01 (x2)

580 26 22-01 (x2)

579 56 58-01 (x4)

579 56 59-01 (x8)

579 56 58-01 (x4)

580 96 45-01 (x4)

579 56 59-01 (x4)

579 56 61-01 (x2)

577 69 93-01 (x2)

541 40 49-09

577 69 92-01 (x2)

580 68 12-03, N2

574 44 55-01 (x2)

531 12 30-63 (x2)

580 68 76-02 (x2)

578 98 77-01 (x8)

580 32 33-01 (x2)

580 32 74-01 (x2)

580 26 20-01 (x2)

579 53 17-01 (x2)

577 48 53-01 (x2)

580 26 21-01 (x2)

579 43 67-01 (x8)

580 64 54-01

579 56 59-01 (x4)

531 11 95-24

580 97 65-01

580 90 22-01

731 43 20-01 (x2)

531 11 95-46

531 12 31-69

**Gable section left compl.**  
577 66 09-01

581 00 61-01

580 68 13-04, N3

577 61 40-01

577 69 92-01 (x4)

577 48 56-01 (x2)

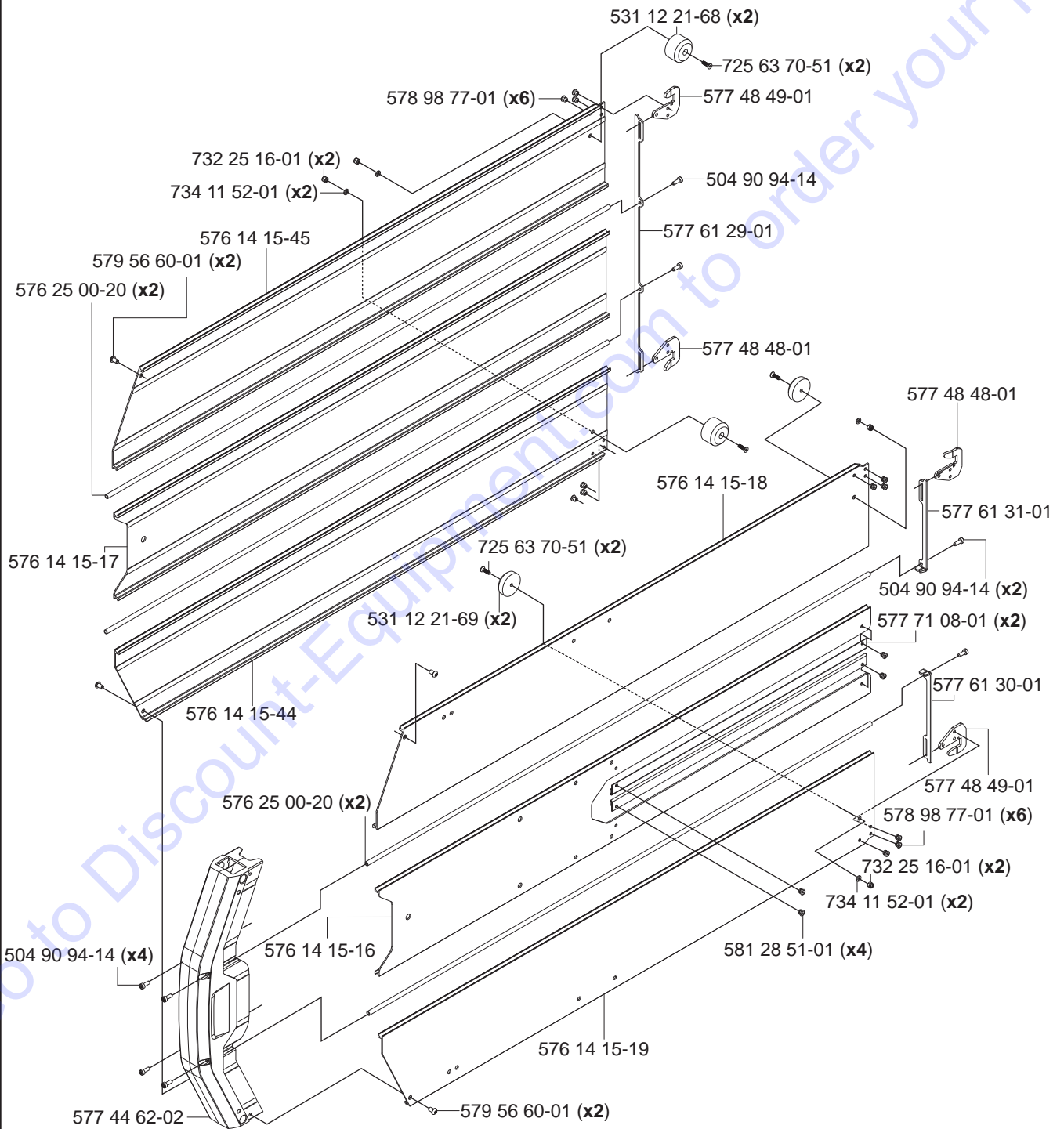
578 98 77-01 (x6)

# N2

WS 463

Blade guard centre section 1200 mm

Centre section assy 580 68 12-03

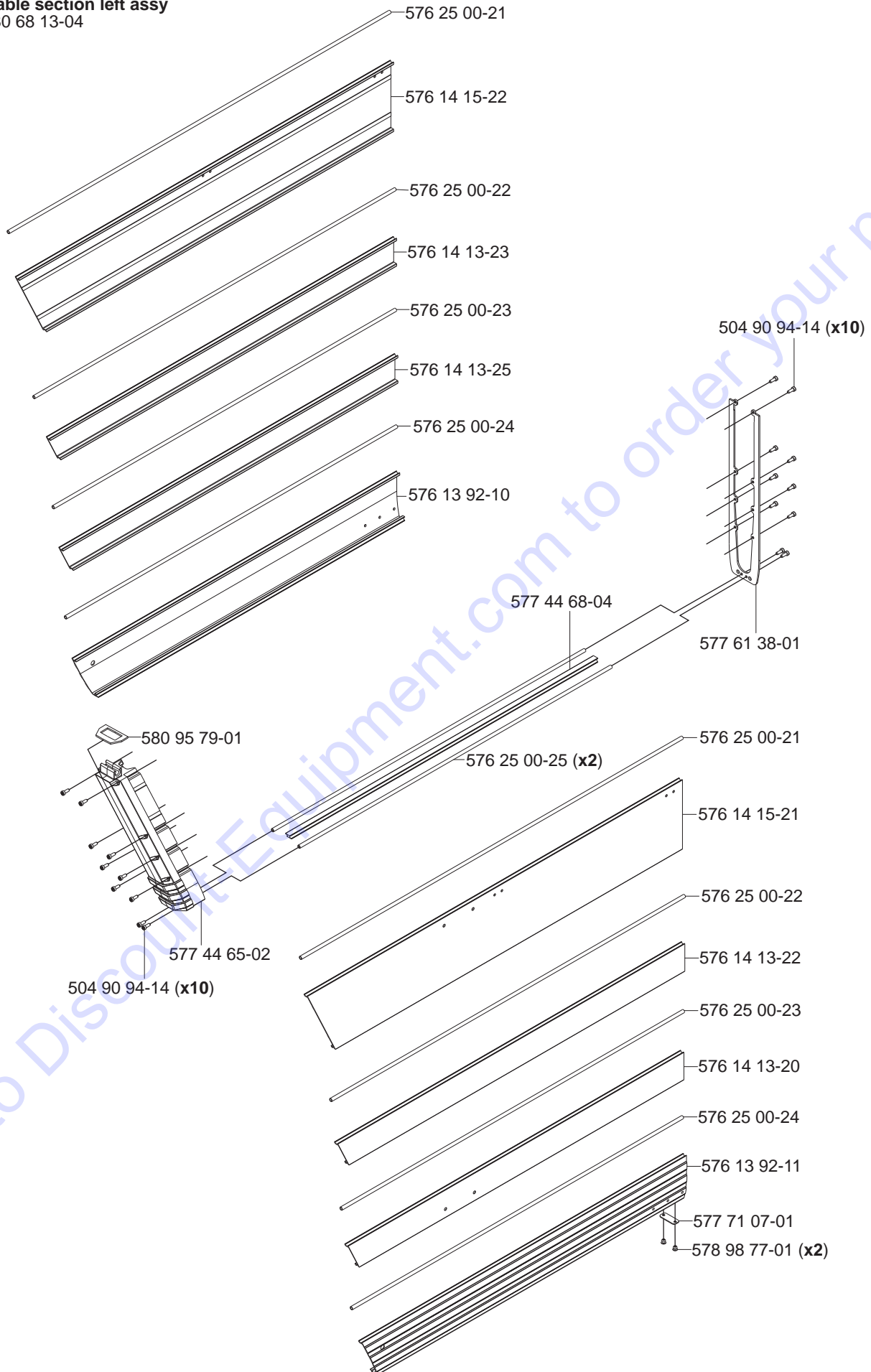


# N3

WS 463

Blade guard gable section left 1200 mm

Gable section left assy  
580 68 13-04

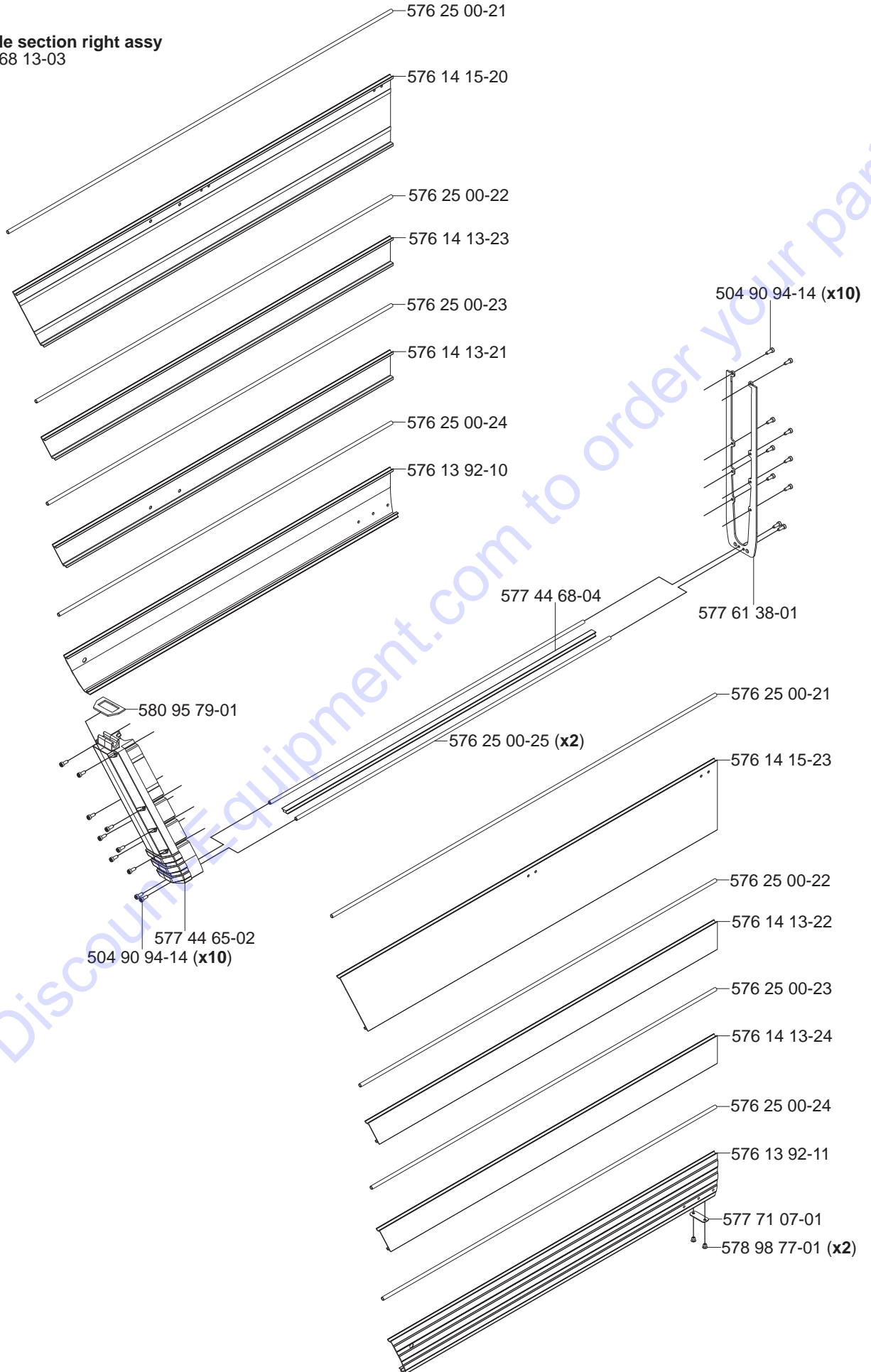


N4

WS 463

Blade guard gable section right 1200 mm

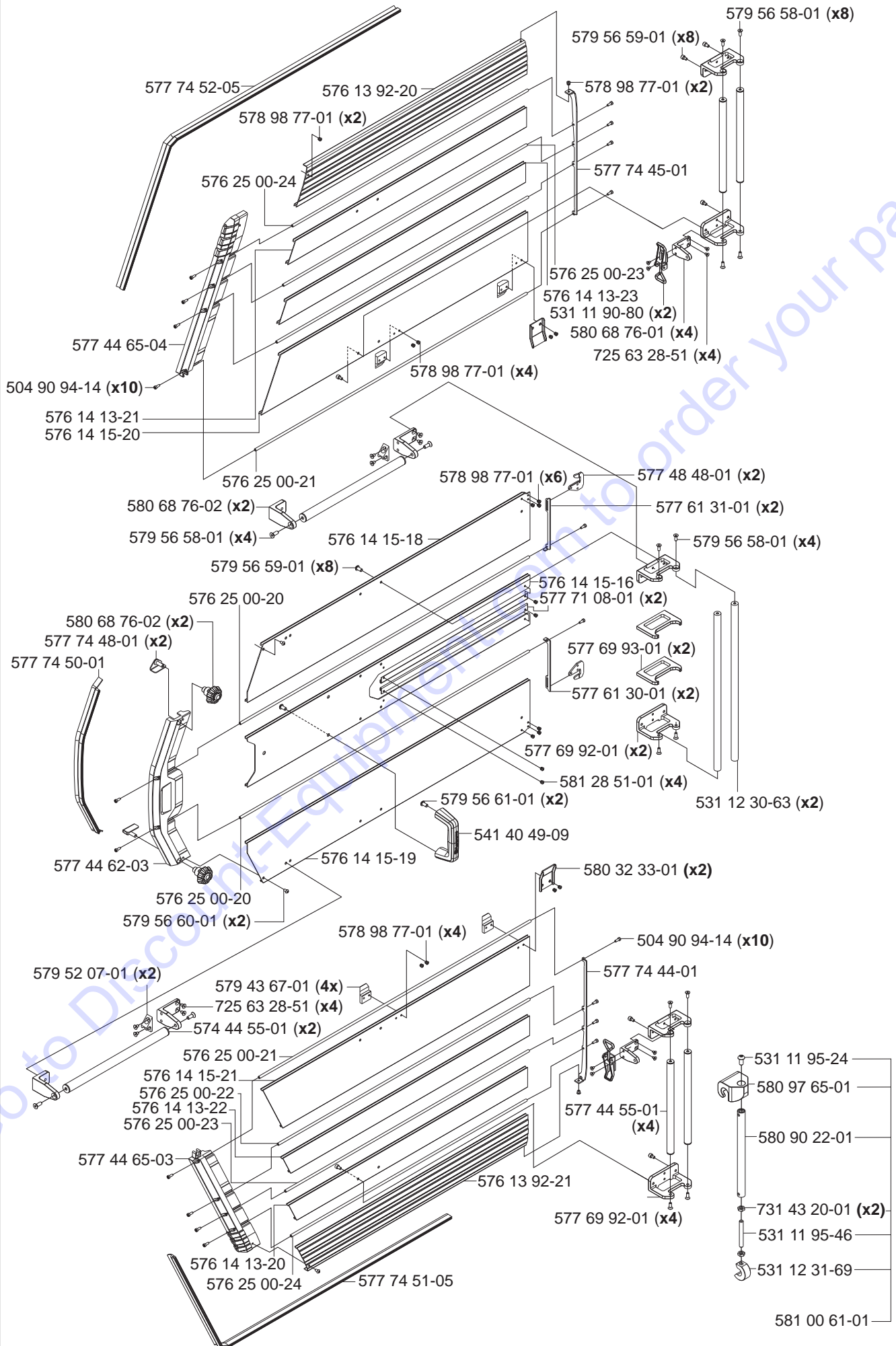
Gable section right assy  
580 68 13-03



**N5**

WS 463

Flush blade guard 1200 mm 577 74 25-01

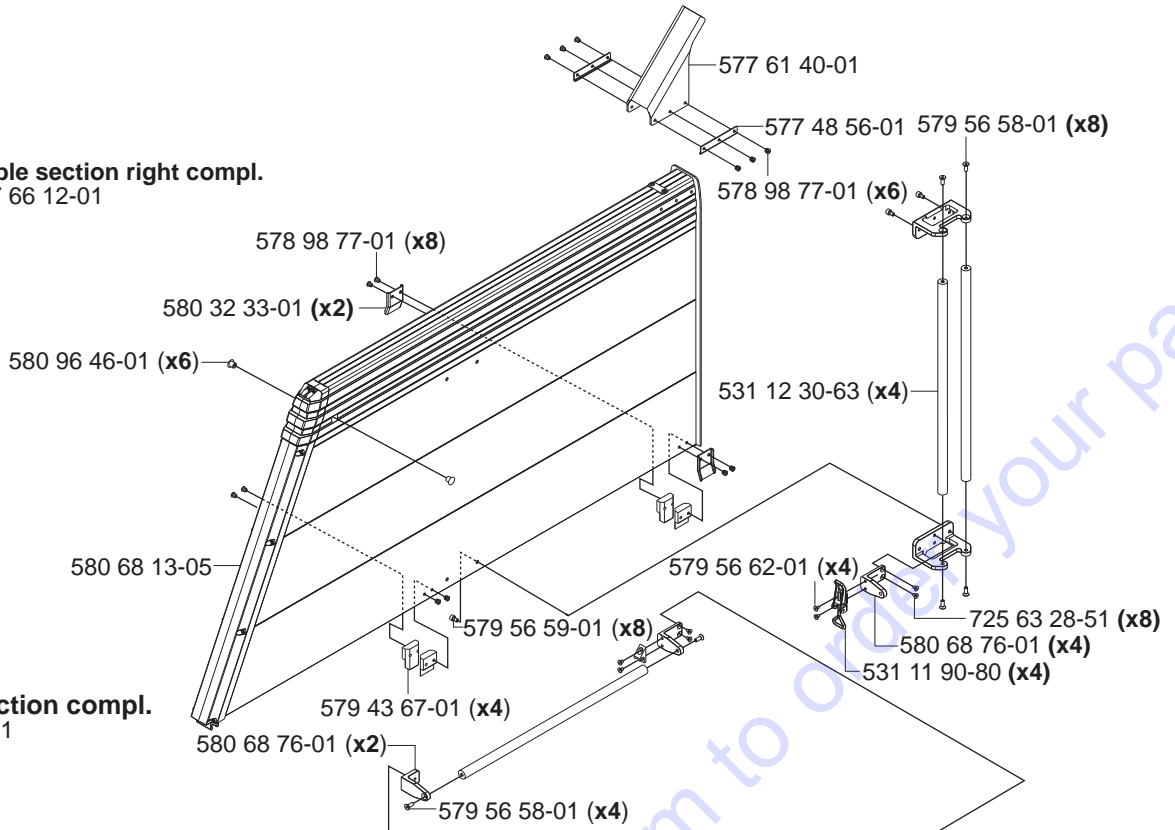


# 01

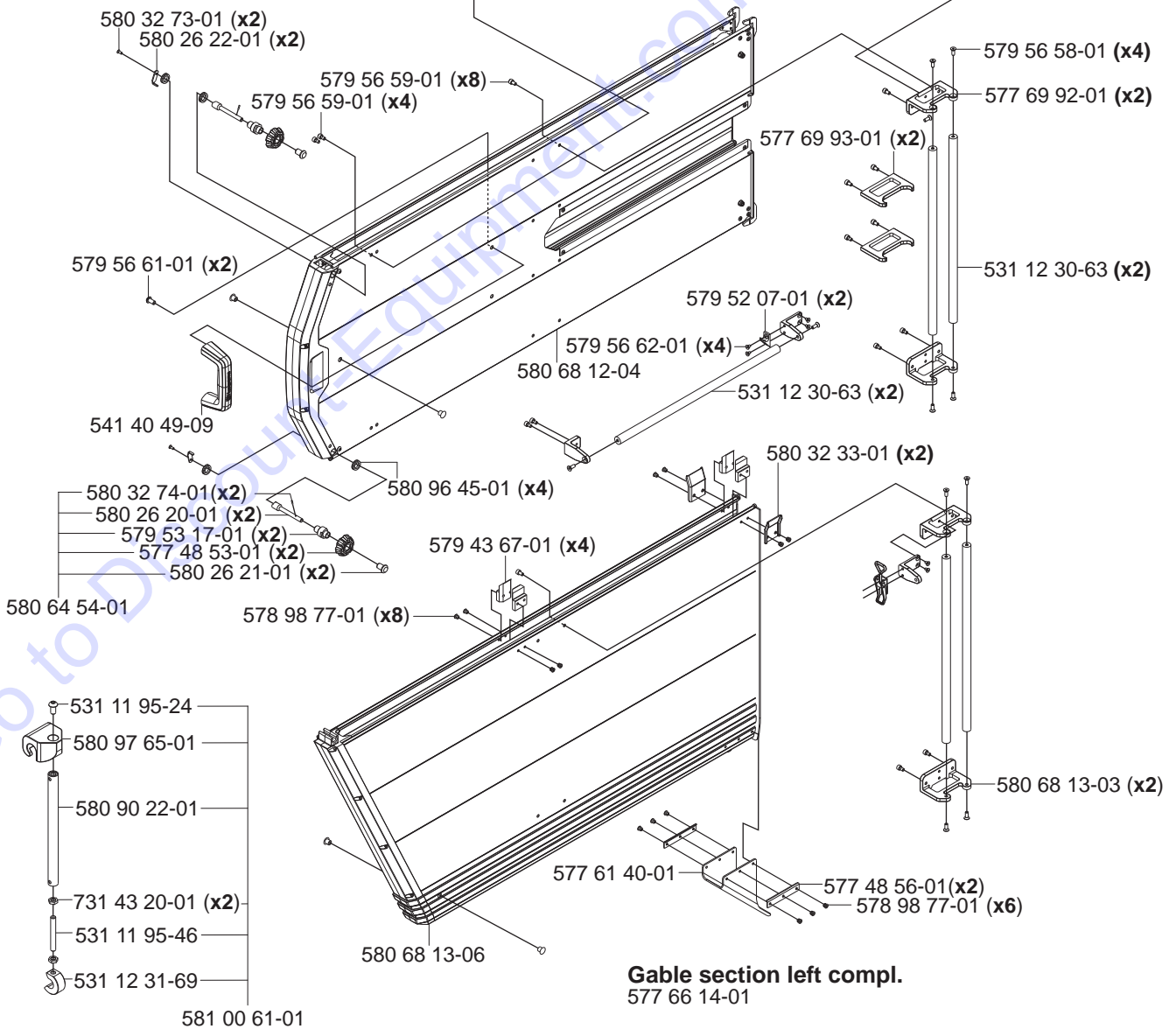
WS 463

Blade guard 1600 mm 577 66 10-01

**Gable section right compl.**  
577 66 12-01

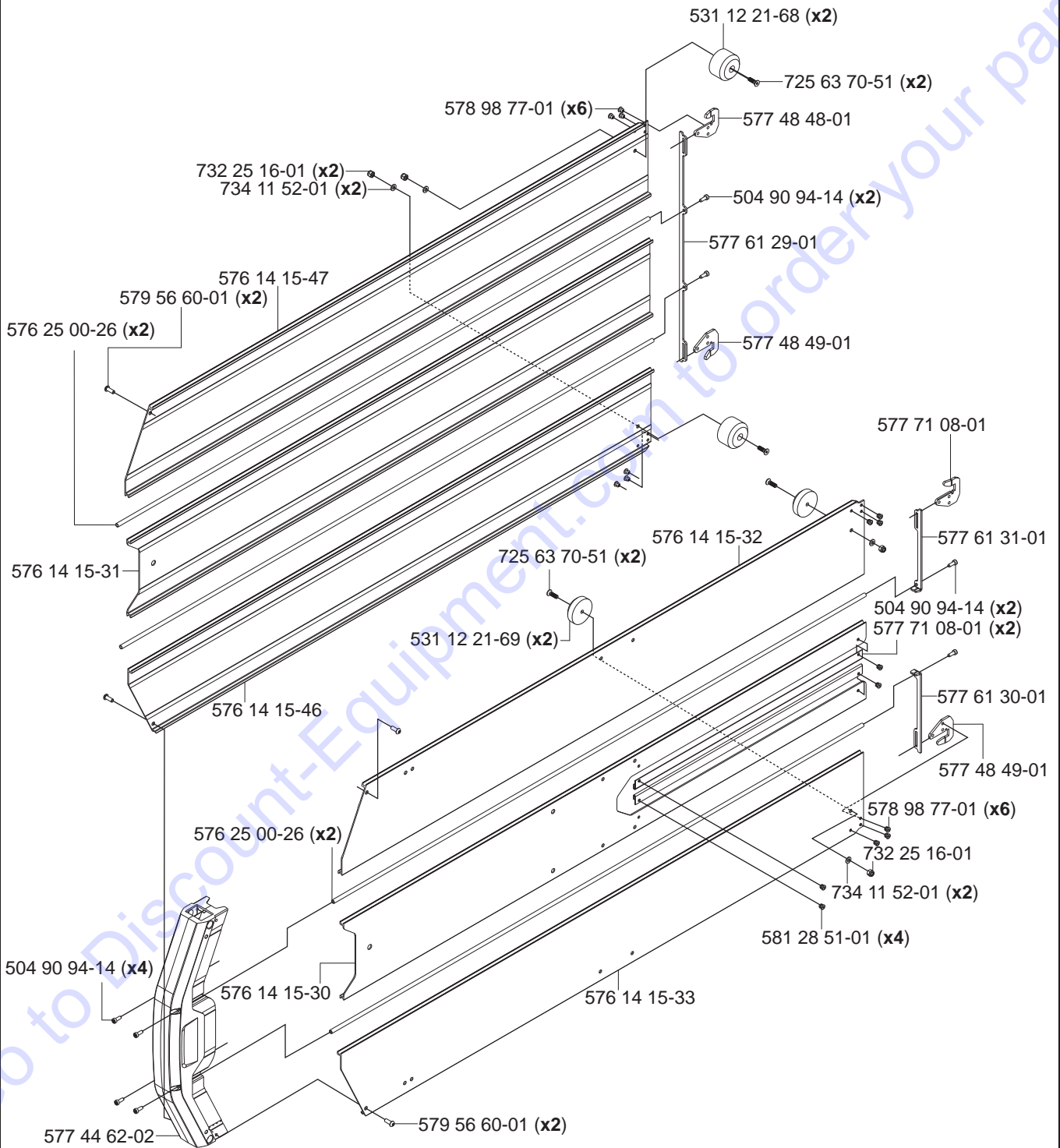


**Centre section compl.**  
577 66 11-01



**Gable section left compl.**  
577 66 14-01

Centre section assy 580 68 12-04

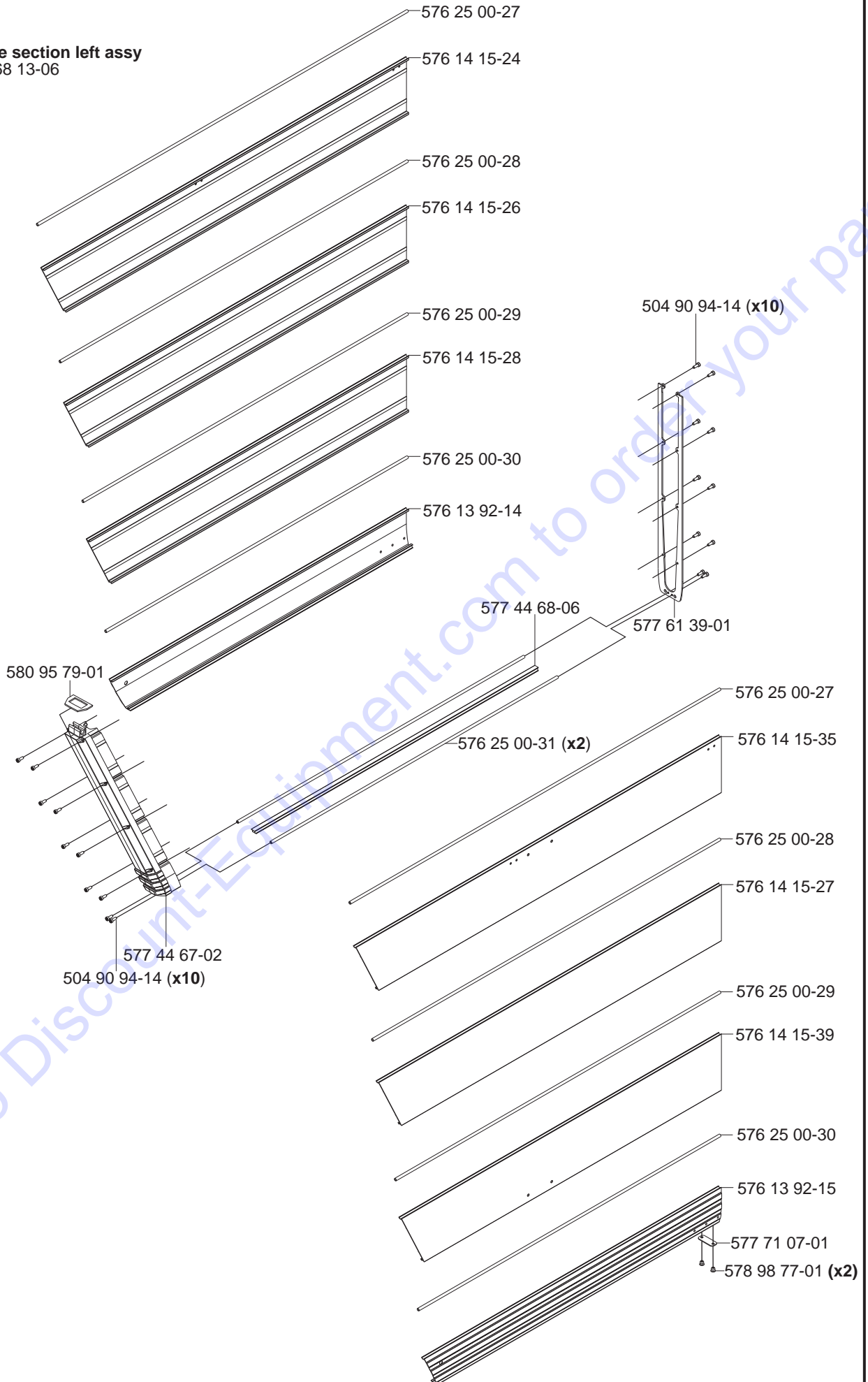


# O3

WS 463

Blade guard gable section left 1600 mm

Gable section left assy  
580 68 13-06



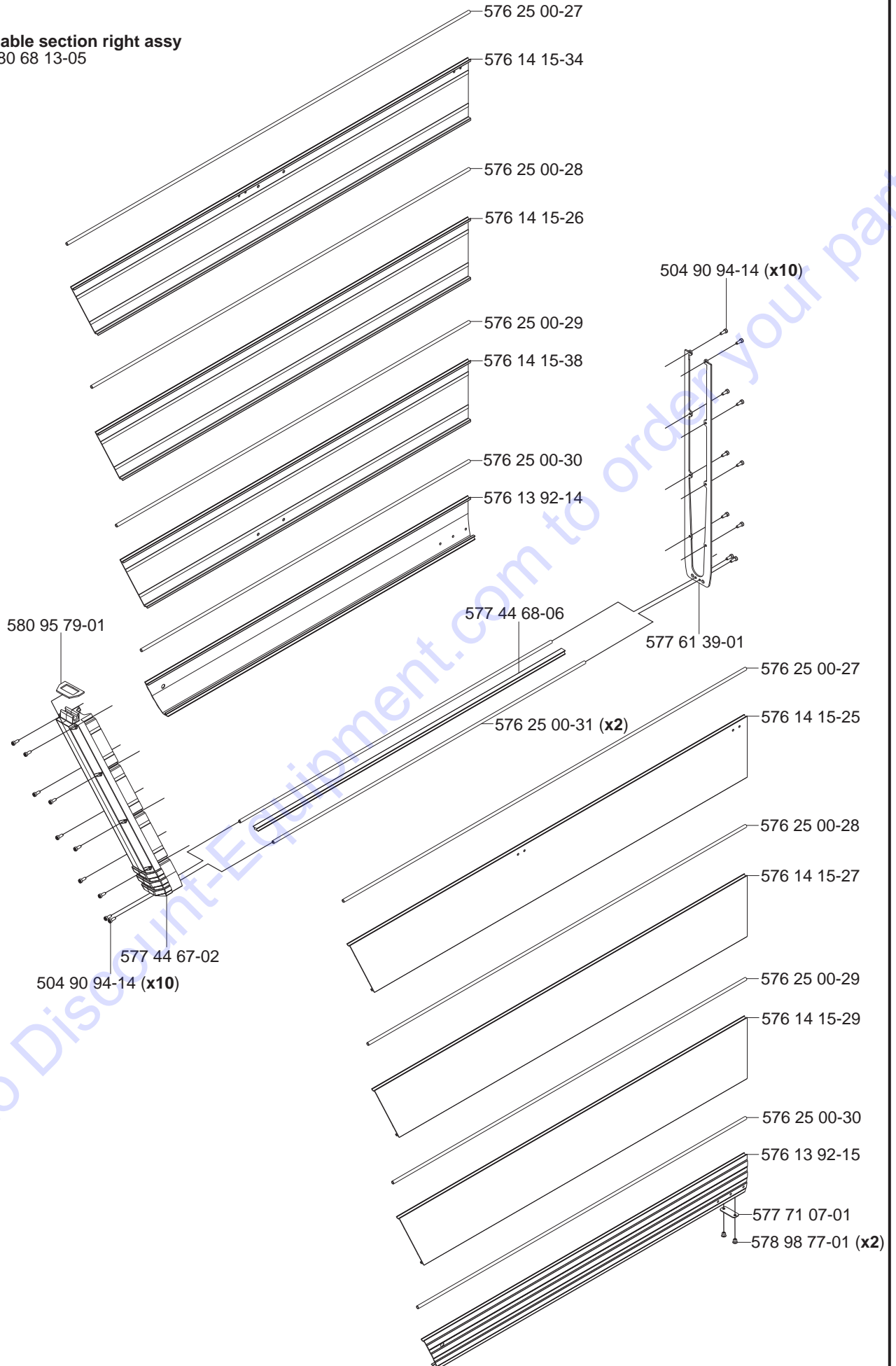


O4

WS 463

Blade guard gable section right 1600 mm

Gable section right assy  
580 68 13-05

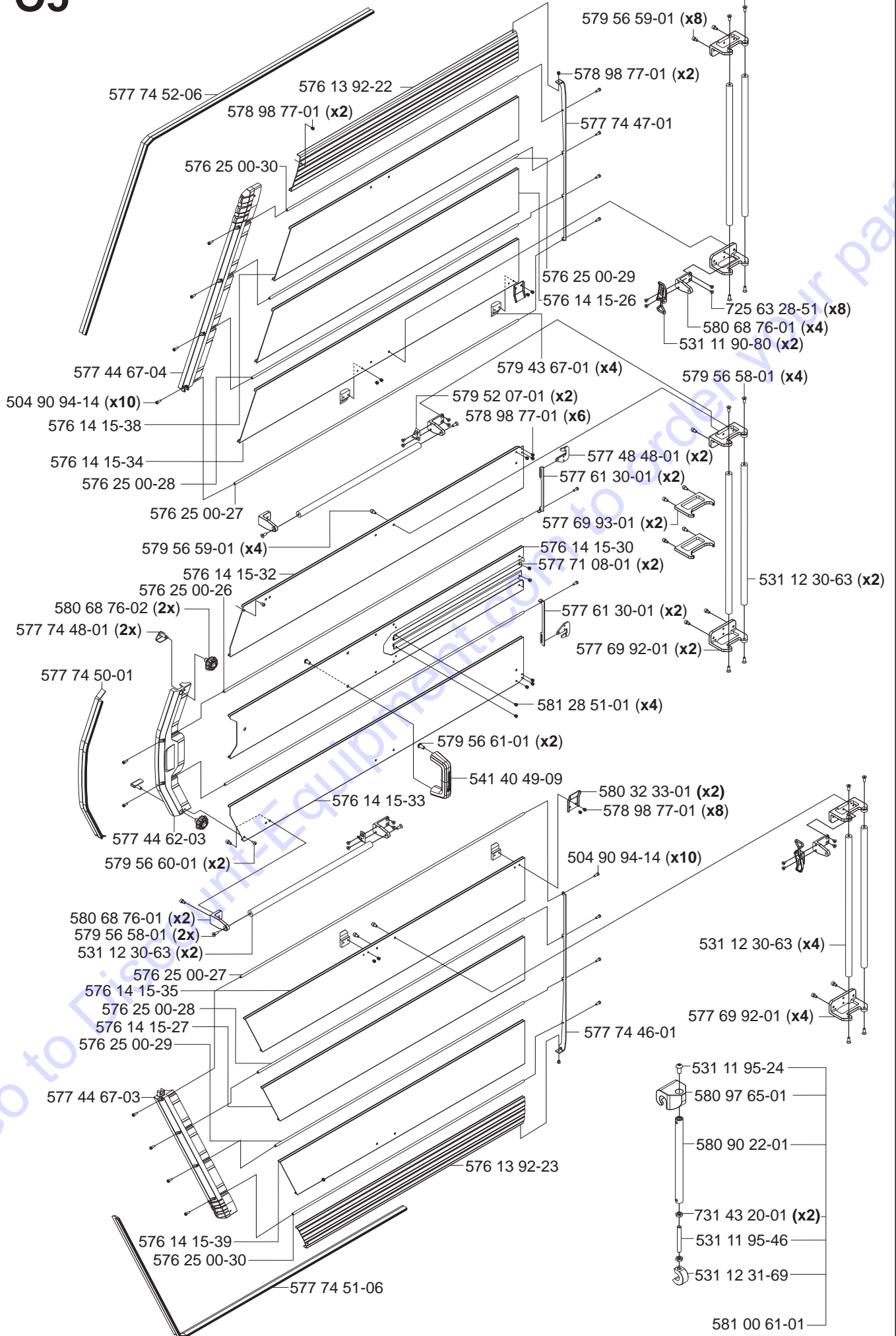


05

WS 463

Flush blade guard 1600 mm 577 74 26-01

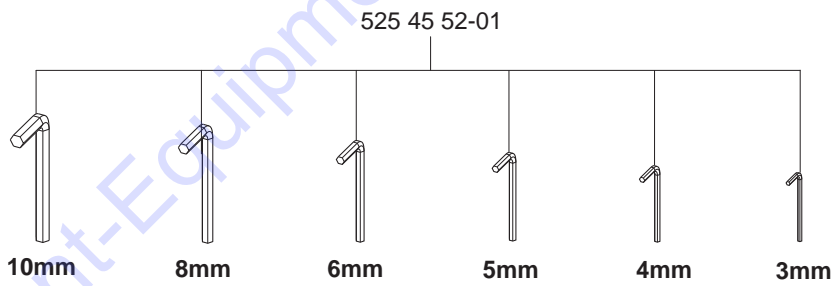
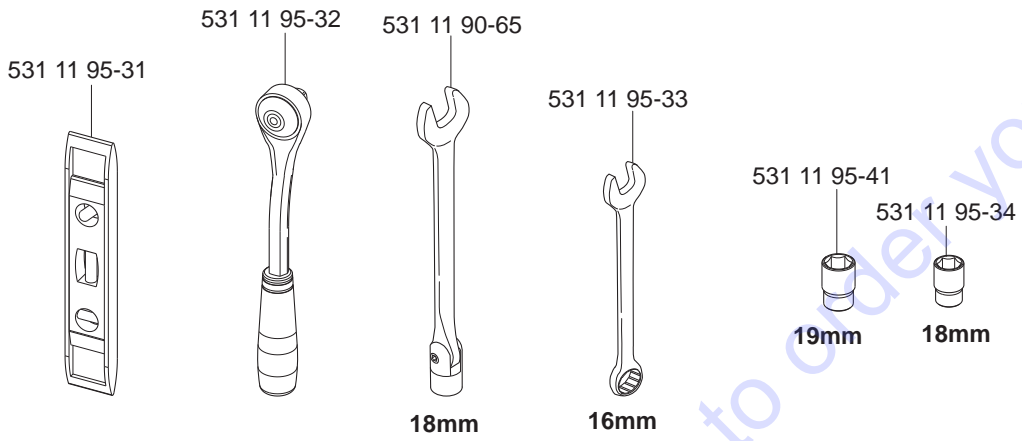
579 56 58-01 (x8)



**P**

WS 463

Toolkit compl 501 37 52-01



522 82 77-01



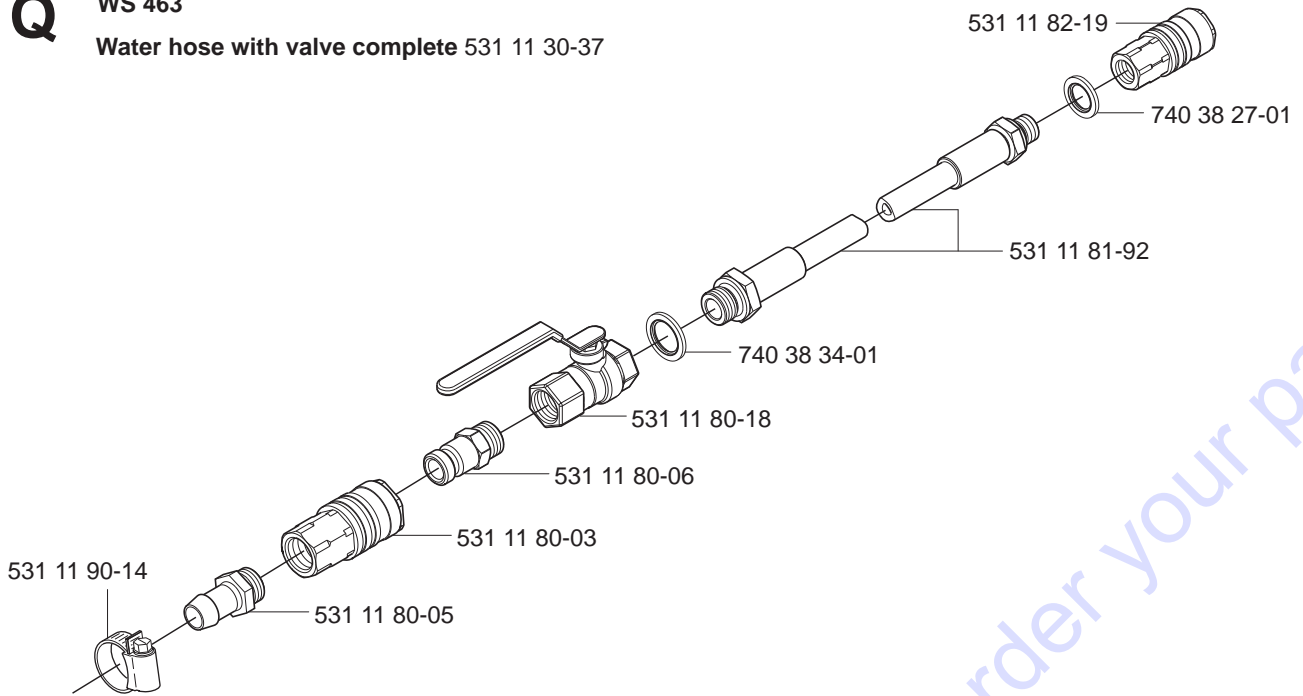
531 11 91-08



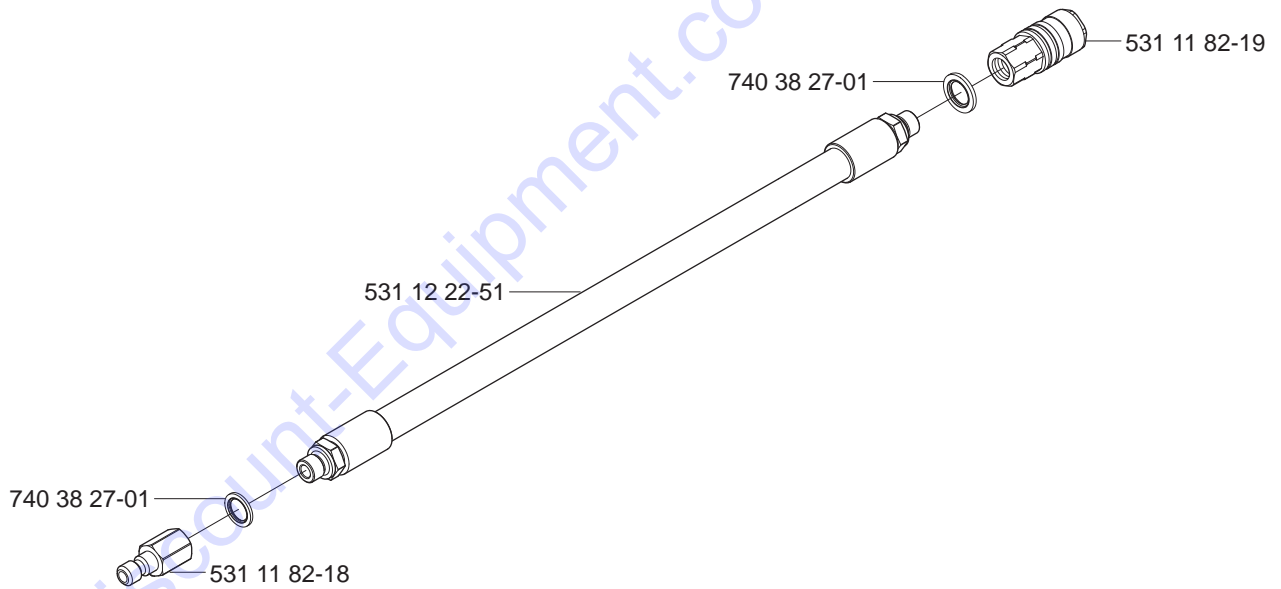
**Q**

**WS 463**

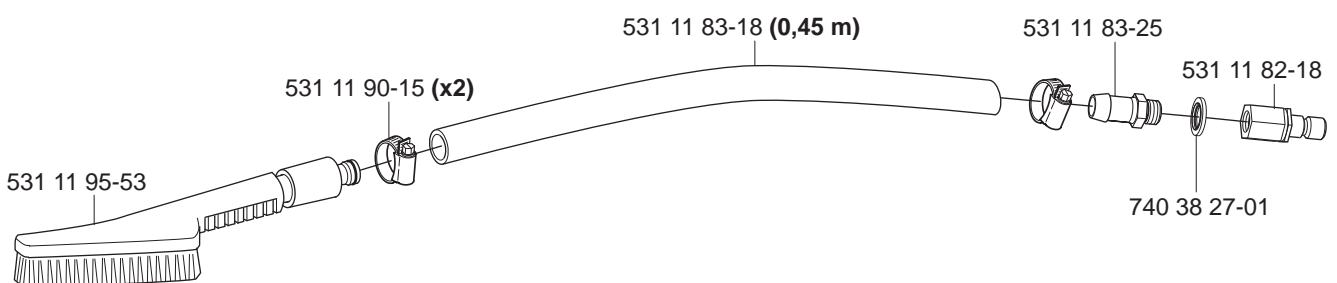
**Water hose with valve complete 531 11 30-37**



**WS 463 Wear hose, water complete 531 11 33-43**



**Cleanig brush complete 531 11 32-68**



# PARTS FINDER

**Search Website  
by Part Number**



**Search Manual  
Library For Parts  
Manual & Lookup Part  
Numbers – Purchase  
or Request Quote**

**Search Manuals**

Enter your information to help us find the right part for your machine.

\* Brand:

\* Model:

\* Serial:

\* Part Number:

SEARCH

**Can't Find Part or  
Manual? Request Help  
by Manufacturer,  
Model & Description**

**Parts Order Form**

Please fill in the following information to help us find the right part for your machine.

Manufacturer:

Model:

Description:

Part Number:

Quantity:

Price:

Submit

Discount-Equipment.com is your online resource for quality parts & equipment.

Florida: **561-964-4949** Outside Florida TOLL FREE: **877-690-3101**

**Need parts?**

Click on this link: <http://www.discount-equipment.com/category/5443-parts/> and choose one of the options to help get the right parts and equipment you are looking for. Please have the machine model and serial number available in order to help us get you the correct parts. If you don't find the part on the website or on one of the online manuals, please fill out the request form and one of our experienced staff members will get back to you with a quote for the right part that your machine needs.

We sell worldwide for the brands: Genie, Terex, JLG, MultiQuip, Mikasa, Essick, Whiteman, Mayco, Toro Stone, Diamond Products, Generac Magnum, Airman, Haulotte, Barreto, Power Blanket, Nifty Lift, Atlas Copco, Chicago Pneumatic, Allmand, Miller Curber, Skyjack, Lull, Skytrak, Tsurumi, Husquvarna Target, Stow, Wacker, Sakai, Mi-T-M, Sullair, Basic, Dynapac, MBW, Weber, Bartell, Bennar Newman, Haulotte, Ditch Runner, Menegotti, Morrison, Contec, Buddy, Crown, Edco, Wyco, Bomag, Laymor, EZ Trench, Bil-Jax, F.S. Curtis, Gehl Pavers, Heli, Honda, ICS/PowerGrit, IHI, Partner, Imer, Clipper, MMD, Koshin, Rice, CH&E, General Equipment, Amida, Coleman, NAC, Gradall, Square Shooter, Kent, Stanley, Tamco, Toku, Hatz, Kohler, Robin, Wisconsin, Northrock, Oztec, Toker TK, Rol-Air, APT, Wylie, Ingersoll Rand / Doosan, Innovatech, Con X, Ammann, Mecalac, Makinex, Smith Surface Prep, Small Line, Wanco, Yanmar