



SPARE PARTS LIST

WALL SAWS

WS463, 2012-07

Go to Discount-Equipment.com to order your parts



PARTS FINDER

**Search Website
by Part Number**



**Search Manual
Library For Parts
Manual & Lookup Part
Numbers – Purchase
or Request Quote**

Search Manuals

Enter your information to help us find the right parts manual for your machine.

* Brand:

* Model:

* Serial:

* Part Number:

SEARCH

**Can't Find Part or
Manual? Request Help
by Manufacturer,
Model & Description**

Parts Order Form

Please fill in the following information to help us find the right part for your machine.

Manufacturer:	<input type="text"/>
Model:	<input type="text"/>
Description:	<input type="text"/>
Part Number:	<input type="text"/>
Quantity:	<input type="text"/>
Notes:	<input type="text"/>

Submit

Discount-Equipment.com is your online resource for quality parts & equipment.

Florida: **561-964-4949** Outside Florida TOLL FREE: **877-690-3101**

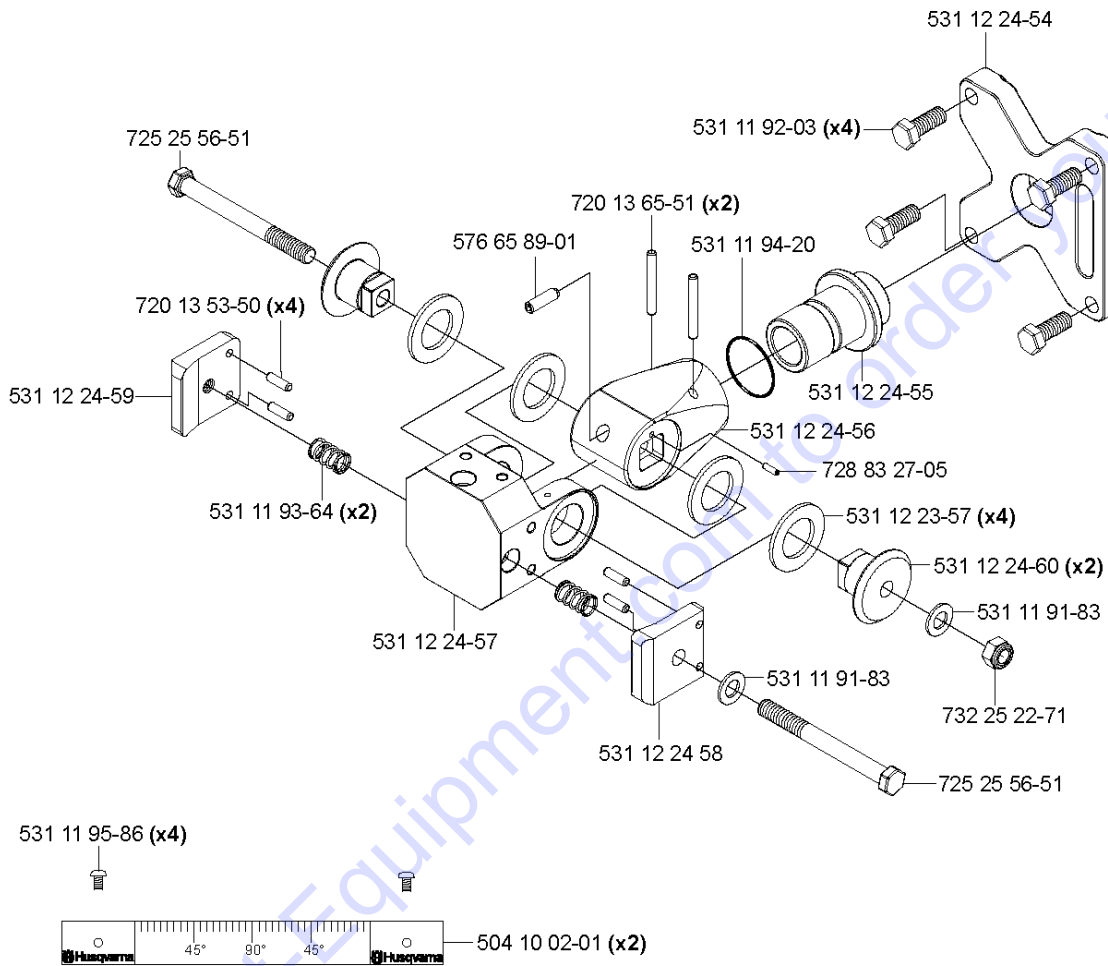
Need parts?

Click on this link: <http://www.discount-equipment.com/category/5443-parts/> and choose one of the options to help get the right parts and equipment you are looking for. Please have the machine model and serial number available in order to help us get you the correct parts. If you don't find the part on the website or on one of the online manuals, please fill out the request form and one of our experienced staff members will get back to you with a quote for the right part that your machine needs.

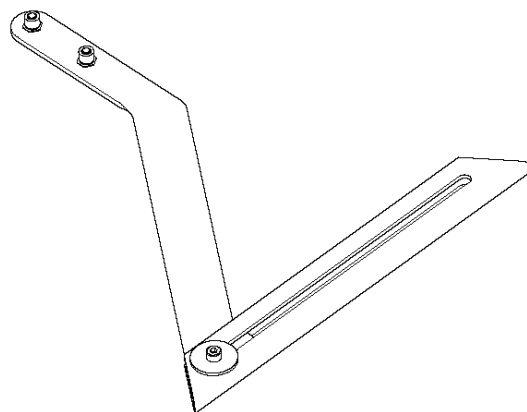
We sell worldwide for the brands: Genie, Terex, JLG, MultiQuip, Mikasa, Essick, Whiteman, Mayco, Toro Stone, Diamond Products, Generac Magnum, Airman, Haulotte, Barreto, Power Blanket, Nifty Lift, Atlas Copco, Chicago Pneumatic, Allmand, Miller Curber, Skyjack, Lull, Skytrak, Tsurumi, Husquvarna Target, Stow, Wacker, Sakai, Mi-T-M, Sullair, Basic, Dynapac, MBW, Weber, Bartell, Bennar Newman, Haulotte, Ditch Runner, Menegotti, Morrison, Contec, Buddy, Crown, Edco, Wyco, Bomag, Laymor, EZ Trench, Bil-Jax, F.S. Curtis, Gehl Pavers, Heli, Honda, ICS/PowerGrit, IHI, Partner, Imer, Clipper, MMD, Koshin, Rice, CH&E, General Equipment, Amida, Coleman, NAC, Gradall, Square Shooter, Kent, Stanley, Tamco, Toku, Hatz, Kohler, Robin, Wisconsin, Northrock, Oztec, Toker TK, Rol-Air, APT, Wylie, Ingersoll Rand / Doosan, Innovatech, Con X, Ammann, Mecalac, Makinex, Smith Surface Prep, Small Line, Wanco, Yanmar

J WS 463
 Tillbehör
 Accessories
 Zubehöre
 Accessoires
 Accesorios

**Mounting bracket Universal
 compl. 531 11 32-00**



Measure rod complete 531 11 32-65



ACCESSORIES

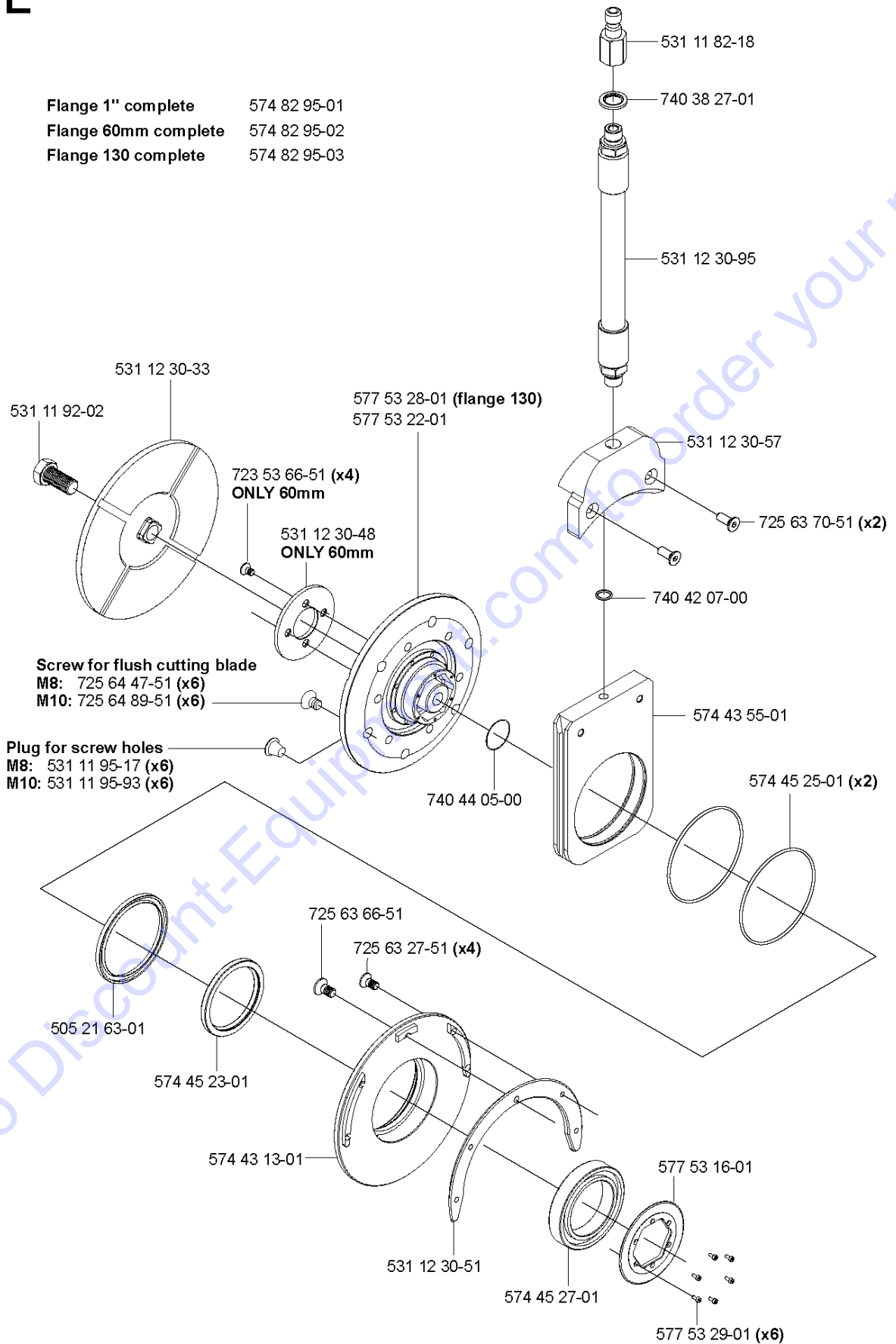
WS463, 2012-07

Part No	Description	Remark	QTY KIT
504 10 02-01	SCALE		2
531 11 32-00	BRACKET	Mounting bracket Universal Complete	1
531 11 32-65	POINTER	Measure rod complete	1
531 11 91-83	WASHER		1
531 11 92-03	SCREW		4
531 11 93-64	SPRING		2
531 11 94-20	O-RING		1
531 11 95-86	SCREW		4
531 12 23-57	CLUTCH		4
531 12 24-54	CONSOLE		1
531 12 24-55	AXLE		1
531 12 24-56	MOUNT		1
531 12 24-57	BRACKET		1
531 12 24-58	WASHER		1
531 12 24-59	NUT		1
531 12 24-60	CLUTCH		2
576 65 89-01	SCREW		1
720 13 53-50	PARALLEL PIN		4
720 13 65-51	PARALLEL PIN		2
725 25 56-51	SCREW EHHM		1
728 83 27-05	SCREW IHSETM		1
732 25 22-71	HEXAGON LOCKING NUT		1

Go to Discount-Equipment.com to order your parts

E WS 463

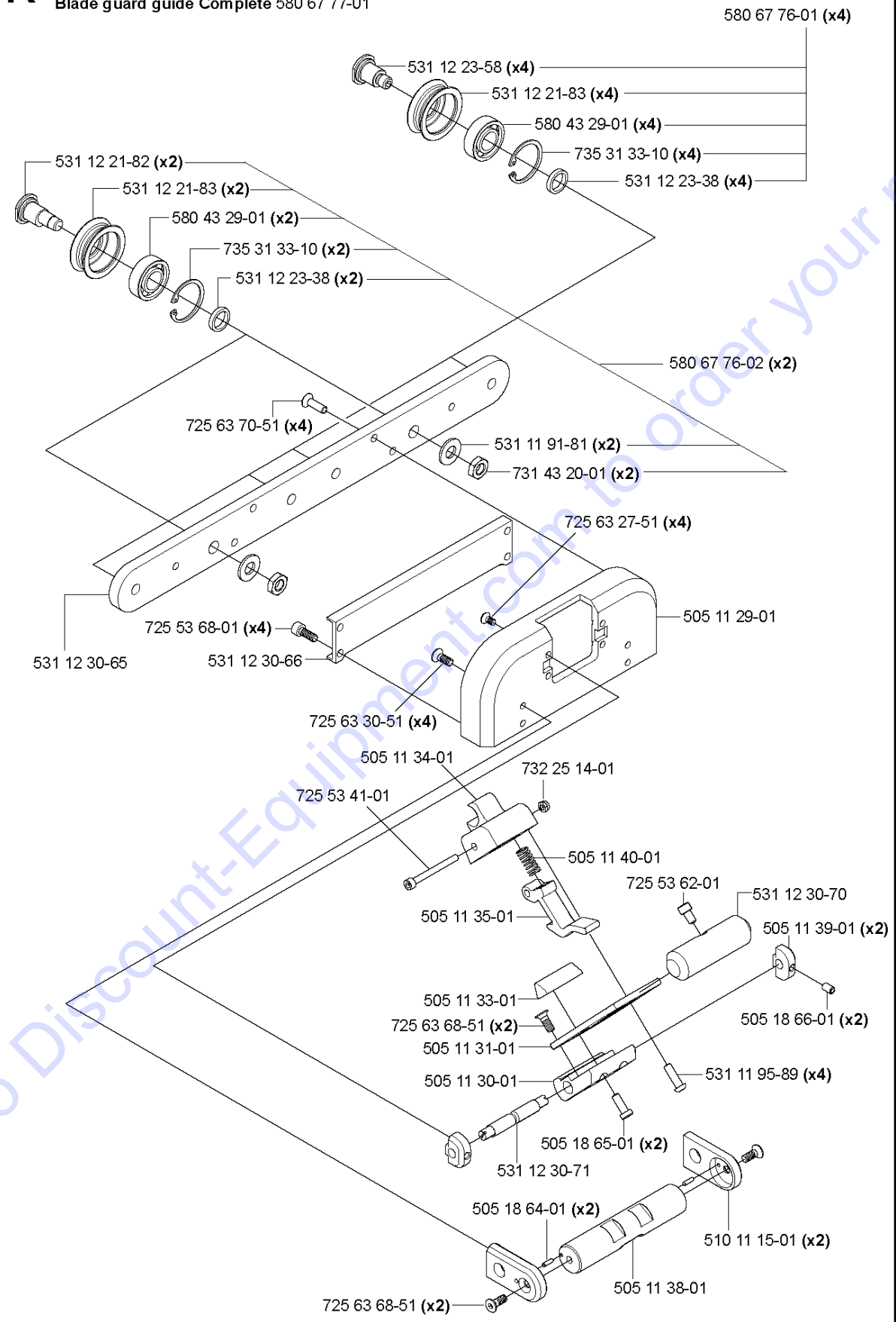
- Flange 1" complete 574 82 95-01
- Flange 60mm complete 574 82 95-02
- Flange 130 complete 574 82 95-03



Ref	Part No	Description	Remark	QTY KIT
574 82 95-01	574 82 95-01	FLANGE	"Flange 1"" complete"	1
574 82 95-02	574 82 95-02	FLANGE	Flange 60mm complete	1
574 82 95-03	574 82 95-03	FLANGE	Flange 130 complete	1
531 11 82-18	531 11 82-18	QUICK COUPLING		1
740 38 27-01	740 38 27-01	SEALING WASHER		1
531 12 30-95	531 12 30-95	HOSE		1
531 11 92-02	531 11 92-02	SCREW		1
531 12 30-33	531 12 30-33	FLANGE		1
723 53 66-51	723 53 66-51	SCREW	ONLY 60mm	4
531 12 30-48	531 12 30-48	SPACER	ONLY 60mm	1
577 53 28-01	577 53 28-01	FLANGE	flange 130	1
577 53 22-01	577 53 22-01	FLANGE		1
531 12 30-57	531 12 30-57	WASSERANSCHLUSS		1
725 63 70-51	725 63 70-51	SCREW IHCSFM		2
740 42 07-00	740 42 07-00	O-RING		1
574 43 55-01	574 43 55-01	BLOCK		1
574 45 25-01	574 45 25-01	O-RING		2
740 44 05-00	740 44 05-00	O-RING		1
725 64 47-51	725 64 47-51	SCREW IHCSFM	Screw for flush cutting blade M8	6
725 64 89-51	725 64 89-51	SCREW IHCSFM	Screw for flush cutting blade M10	6
531 11 95-17	531 11 95-17	PLUG	Plug for screw holes M8	6
531 11 95-93	531 11 95-93	PLUG	Plug for screw holes M10	6
505 21 63-01	505 21 63-01	RADIAL SEAL		1
574 45 23-01	574 45 23-01	SEAL		1
725 63 66-51	725 63 66-51	SCREW IHCSFM		1
725 63 27-51	725 63 27-51	SCREW IHCSFM		4
574 43 13-01	574 43 13-01	HUB		1
531 12 30-51	531 12 30-51	PLATE		1
577 53 16-01	577 53 16-02	STOP WASHER		1
574 45 27-01	574 45 27-01	BEARING		1
577 53 29-01	577 53 29-01	SCREW		6

Go to Discount-Equipment.com to order your parts

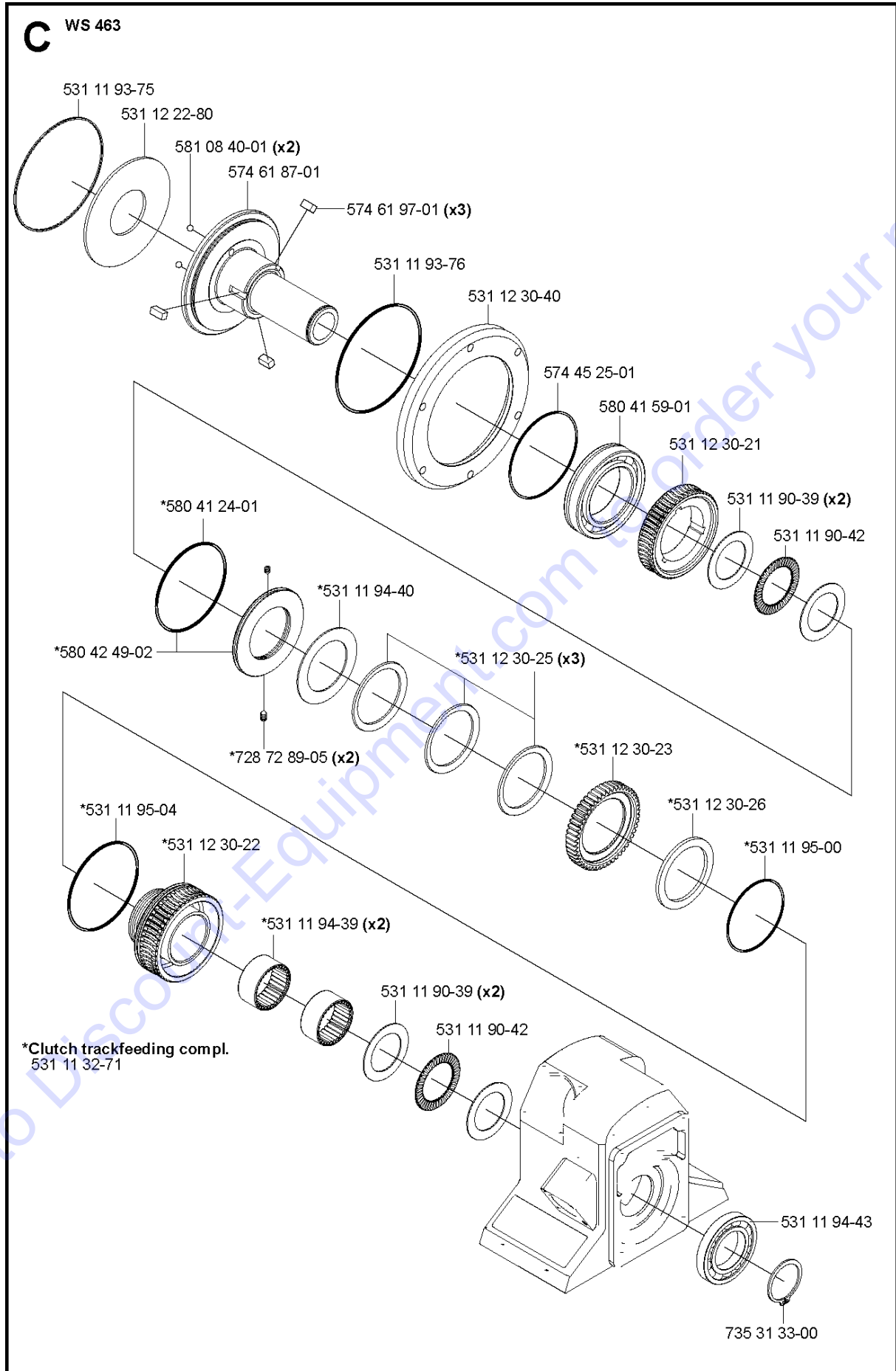
K WS 463
Blade guard guide Complete 580 67 77-01



Go to Discount-Equipment.com to order your parts

Ref	Part No	Description	Remark	QTY KIT
580 67 77-01	580 67 77-01	BLADE GUARD	Blade guard guide Complete	1
580 67 76-01	580 67 76-01	WHEEL ASSY		4
531 12 23-58	531 12 23-58	WHEEL		4
531 12 21-83	531 12 21-83	WHEEL		4
580 43 29-01	580 43 29-01	BEARING		4
735 31 33-10	735 31 33-10	CIRCLIP		4
531 12 23-38	531 12 23-38	SPACER RING		4
531 12 21-82	531 12 21-82	WHEEL		2
531 12 21-83	531 12 21-83	WHEEL		2
580 43 29-01	580 43 29-01	BEARING		2
735 31 33-10	735 31 33-10	CIRCLIP		2
531 12 23-38	531 12 23-38	SPACER RING		2
580 67 76-02	580 67 76-02	WHEEL ASSY		2
725 63 70-51	725 63 70-51	SCREW IHCSFM		4
531 11 91-81	531 11 91-81	WASHER		2
731 43 20-01	731 43 20-01	HEXAGON THIN NUT		2
725 63 27-51	725 63 27-51	SCREW IHCSFM		4
505 11 29-01	505 11 29-01	HOLDER		1
725 53 68-01	725 53 68-01	SCREW IHSCM		4
531 12 30-65	531 12 30-65	GUIDE RAIL		1
531 12 30-66	531 12 30-66	COVER		1
725 63 30-51	725 63 30-51	SCREW IHCSFM		4
505 11 34-01	505 11 34-01	SNAP LOCKING		1
725 53 41-01	725 53 41-01	SCREW IHSCM		1
732 25 14-01	732 25 14-01	HEXAGON LOCKING NUT		1
505 11 40-01	505 11 40-01	SPRING		1
725 53 62-01	725 53 62-01	SCREW IHSCM		1
531 12 30-70	531 12 30-70	HANDLE		1
505 11 39-01	505 11 39-01	SHAFT SEAT		2
505 11 35-01	505 11 35-01	HOOK		1
725 63 68-51	579 56 58-01	SCREW		2
505 11 31-01	505 11 31-01	HANDLE BRACKET		1
505 11 30-01	505 11 30-01	ECCENTRIC		1
505 11 33-01	505 11 33-01	BEAM		1
505 18 66-01	505 18 66-01	SCREW		2
531 11 95-89	531 11 95-89	SCREW		4
505 18 65-01	505 18 65-01	SCREW		2
531 12 30-71	531 12 30-71	SHAFT		1
505 18 64-01	505 18 64-01	PARALLEL PIN		2
725 63 68-51	725 63 68-51	SCREW IHCSFM		2
505 11 38-01	505 11 38-01	HANDLE		1
510 11 15-01	510 11 15-01	HANDLE HOLDER		2

Go to Discounted Equipment.com to order your parts



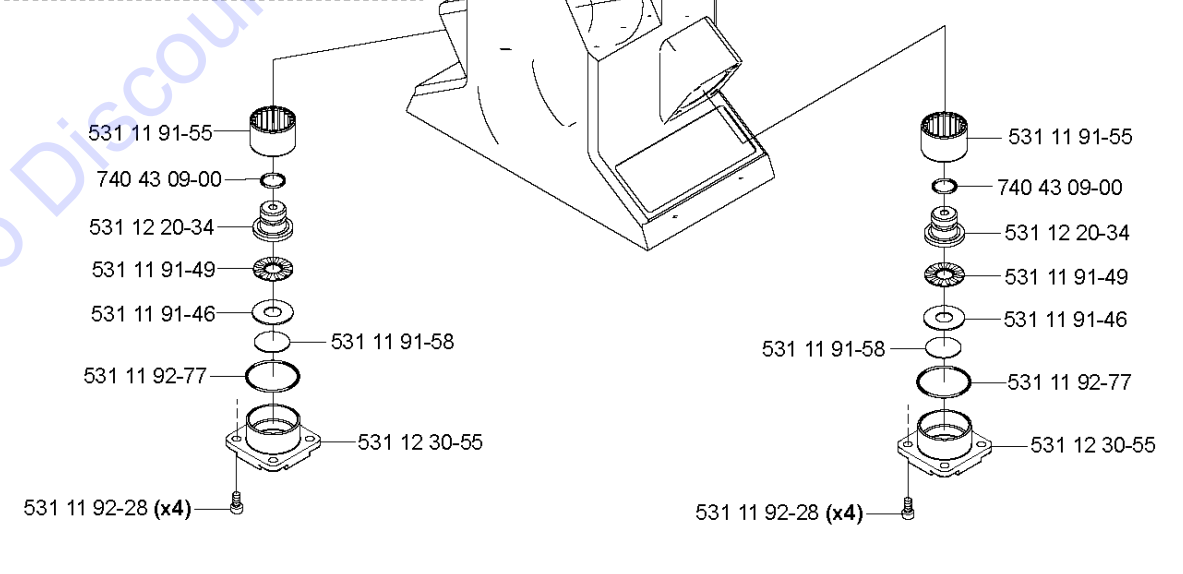
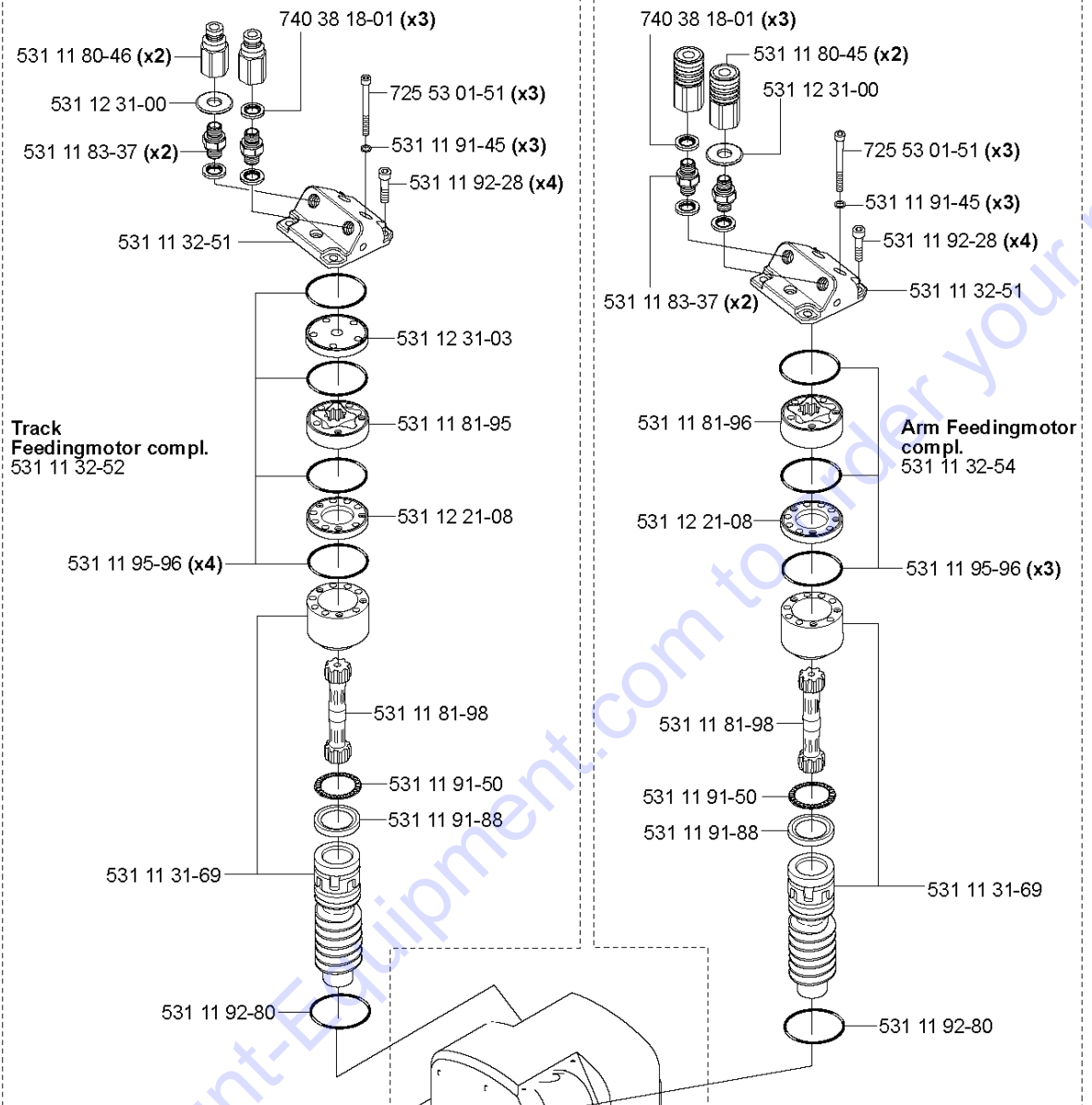
FEEDING GEARS

WS463, 2012-07

Ref	Part No	Description	Remark	QTY KIT
531 11 93-75	531 11 93-75	O-RING		1
531 12 22-80	531 12 22-80	PLATE		1
581 08 40-01	581 08 40-01	BALL		2
574 61 87-01	574 61 87-01	SHAFT		1
574 61 97-01	574 61 97-01	KEY		3
531 11 93-76	531 11 93-76	O-RING		1
531 12 30-40	531 12 30-40	WASHER		1
738 21 10-04	738 21 10-04	BALL BEARING		1
531 12 30-21	531 12 30-21	GEAR WHEEL		1
531 11 90-39	531 11 90-39	WASHER		2
531 11 90-42	531 11 90-42	BEARING		1
580 41 24-01	580 41 24-01	O-RING		1
580 42 49-02	580 42 49-02	NUT		1
728 72 89-05	728 72 89-05	SCREW IHSETM		2
531 12 30-25	531 12 30-25	CUP		3
531 12 30-23	531 12 30-23	GEAR WHEEL		1
531 12 30-26	531 12 30-26	PLATE		1
531 11 95-00	531 11 95-00	O-RING		1
531 11 95-04	531 11 95-04	O-RING		1
531 12 30-22	591 18 70-01	GEAR WHEEL	Incl. Plate	1
531 11 94-39	531 11 94-39	BEARING		2
531 11 90-39	531 11 90-39	WASHER		2
531 11 90-42	531 11 90-42	BEARING		1
531 11 94-43	531 11 94-43	BEARING		1
735 31 33-00	735 31 33-00	CIRCLIP		1
531 11 94-40	531 11 94-40	BEARING		1

Go to Discount-Equipment.com to order your parts

B WS 463

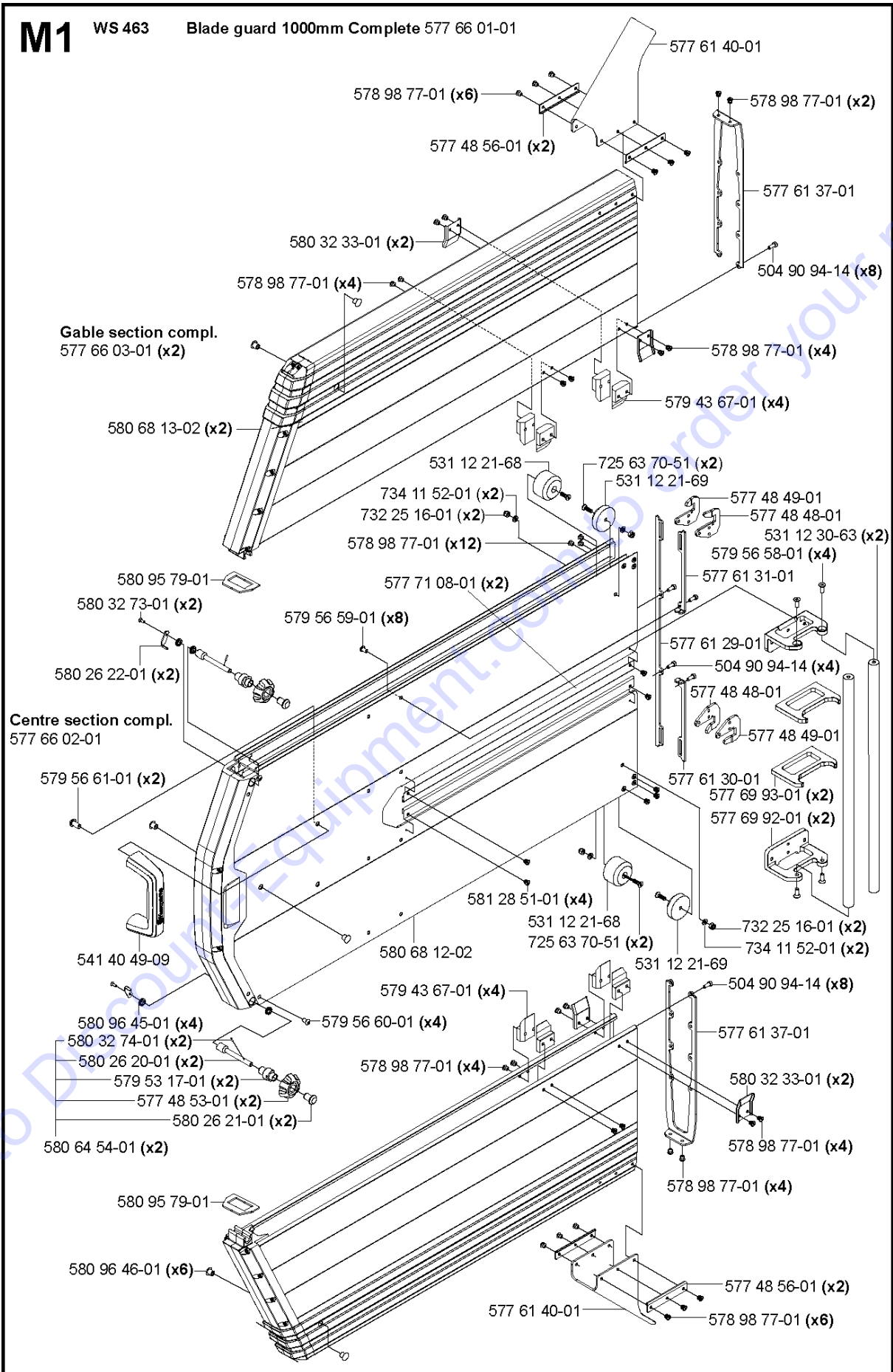


FEEDING MOTORS

WS463, 2012-07

Part No	Description	Remark	QTY KIT
531 11 31-69	WORM GEAR		1
531 11 31-69	WORM GEAR		1
531 11 32-51	HOLDER ASSY		1
531 11 32-51	HOLDER ASSY		1
531 11 32-52	MOTOR		1
531 11 32-54	MOTOR		1
531 11 80-45	HYDRAULIC CYLINDER		2
531 11 80-46	HYDRAULIC CYLINDER		2
531 11 81-95	MOTOR		1
531 11 81-96	MOTOR		1
531 11 81-98	DRIVE SHAFT		1
531 11 81-98	DRIVE SHAFT		1
531 11 83-37	ADAPTER		2
531 11 83-37	ADAPTER		2
531 11 91-45	WASHER		3
531 11 91-45	WASHER		3
531 11 91-46	BEARING		1
531 11 91-46	BEARING		1
531 11 91-49	BEARING		1
531 11 91-49	BEARING		1
531 11 91-50	BEARING		1
531 11 91-50	BEARING		1
531 11 91-55	BEARING		1
531 11 91-55	BEARING		1
531 11 91-58	SHIM		1
531 11 91-58	SHIM		1
531 11 91-88	SEALING		1
531 11 91-88	SEALING		1
531 11 92-28	SCREW		4
531 11 92-28	SCREW		4
531 11 92-28	SCREW		4
531 11 92-28	SCREW		4
531 11 92-77	O-RING		1
531 11 92-77	O-RING		1
531 11 92-80	O-RING		1
531 11 92-80	O-RING		1
531 11 95-96	O-RING		4
531 11 95-96	O-RING		3
531 12 20-34	AXLE		1
531 12 20-34	AXLE		1
531 12 21-08	HUB CAP		1
531 12 21-08	HUB CAP		1
531 12 30-55	BLOCK		1
531 12 30-55	BLOCK		1
531 12 31-00	WASHER		1
531 12 31-00	WASHER		1
531 12 31-03	SPACER RING		1
725 53 01-51	SCREW IHSCM		3
725 53 01-51	SCREW IHSCM		3
740 38 18-01	SEALING WASHER		3
740 38 18-01	SEALING WASHER		3
740 43 09-00	O-RING		1
740 43 09-00	O-RING		1

Go to www.Parts-Equipment.com to order your parts

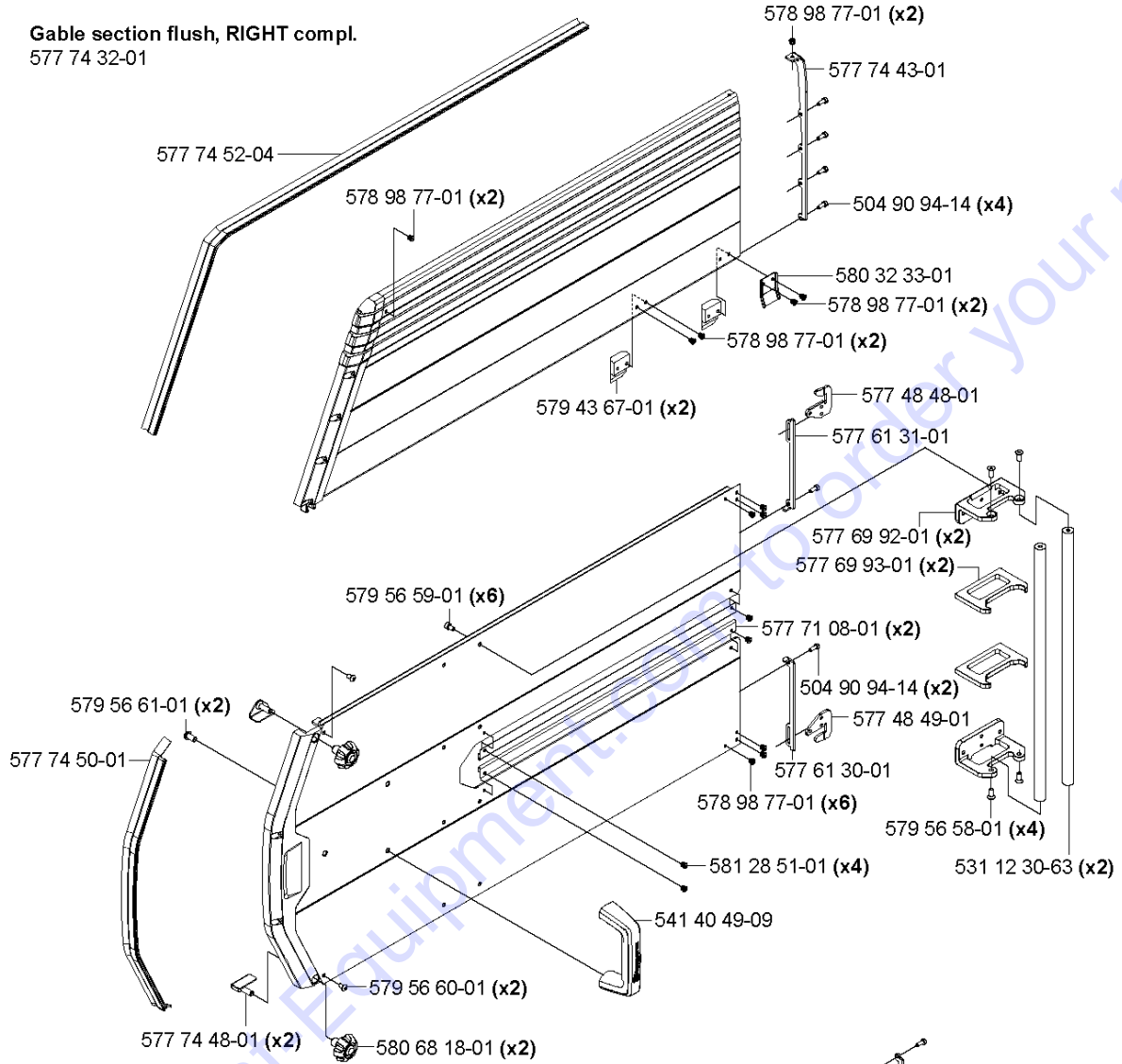


Part No	Description	Remark	QTY KIT
504 90 94-14	SCREW ITXSCT		8
531 12 21-68	GUIDE		1
531 12 21-69	GUIDE		1
531 12 30-63	RAIL		2
541 40 49-09	HANDLE		1
577 48 48-01	HITCH		1
577 48 49-01	HITCH		1
577 48 53-01	KNOB		2
577 48 56-01	WASHER		2
577 48 56-01	WASHER		2
577 61 29-01	LINK		1
577 61 30-01	LINK		1
577 61 31-01	LINK		1
577 61 37-01	END COVER		1
577 61 40-01	SPRAY GUARD		1
577 61 40-01	SPRAY GUARD		1
577 66 01-01	BLADE GUARD	Blade guard 1000mm Complete	1
577 66 02-01	BLADE GUARD	Centre section compl.	1
577 66 03-01	GABLE	Gable section compl.	2
577 69 92-01	FIXTURE		2
577 69 93-01	FIXTURE		2
577 71 08-01	GUIDE BAR		2
578 98 77-01	RIVET		6
578 98 77-01	RIVET		4
578 98 77-01	RIVET		4
578 98 77-01	RIVET		4
578 98 77-01	RIVET		4
578 98 77-01	RIVET		6
579 43 67-01	GUIDE PLATE		4
579 43 67-01	GUIDE PLATE		4
579 53 17-01	CONE		2
579 56 58-01	SCREW		4
579 56 59-01	SCREW		8
579 56 60-01	SCREW		4
579 56 61-01	SCREW		2
580 26 20-01	SCREW		2
580 26 21-01	NUT		2
580 26 22-01	HOOK		2
580 32 33-01	GUIDE		2
580 32 33-01	GUIDE		2
580 32 73-01	SCREW		2
580 32 74-01	PEN		2
580 64 54-01	KNOB		2
580 68 12-02	GUARD		1
580 68 13-02	GUARD		2
580 95 79-01	GASKET		1
580 96 45-01	V-RING		4
580 96 46-01	RUBBER PLUG		2
581 28 51-01	RIVET		4
725 63 70-51	SCREW IHCSFM		1
732 25 16-01	HEXAGON LOCKING NUT		1
734 11 52-01	WASHER		2

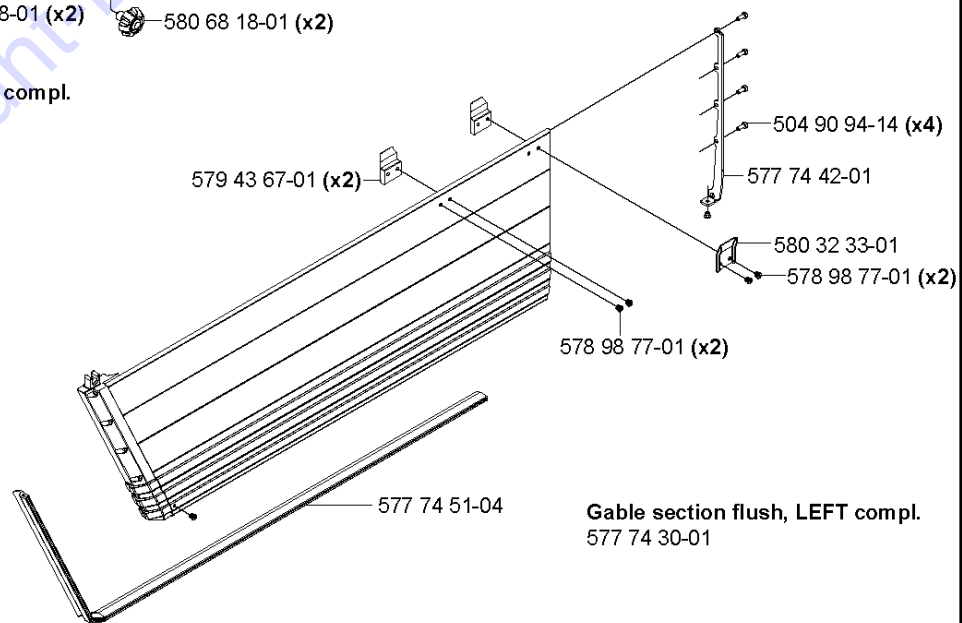
Go to www.Equipment-Equipment.com to order your parts

M2 WS 463 Flush blade guard 1000mm complete 577 74 24-01

Gable section flush, RIGHT compl.
577 74 32-01



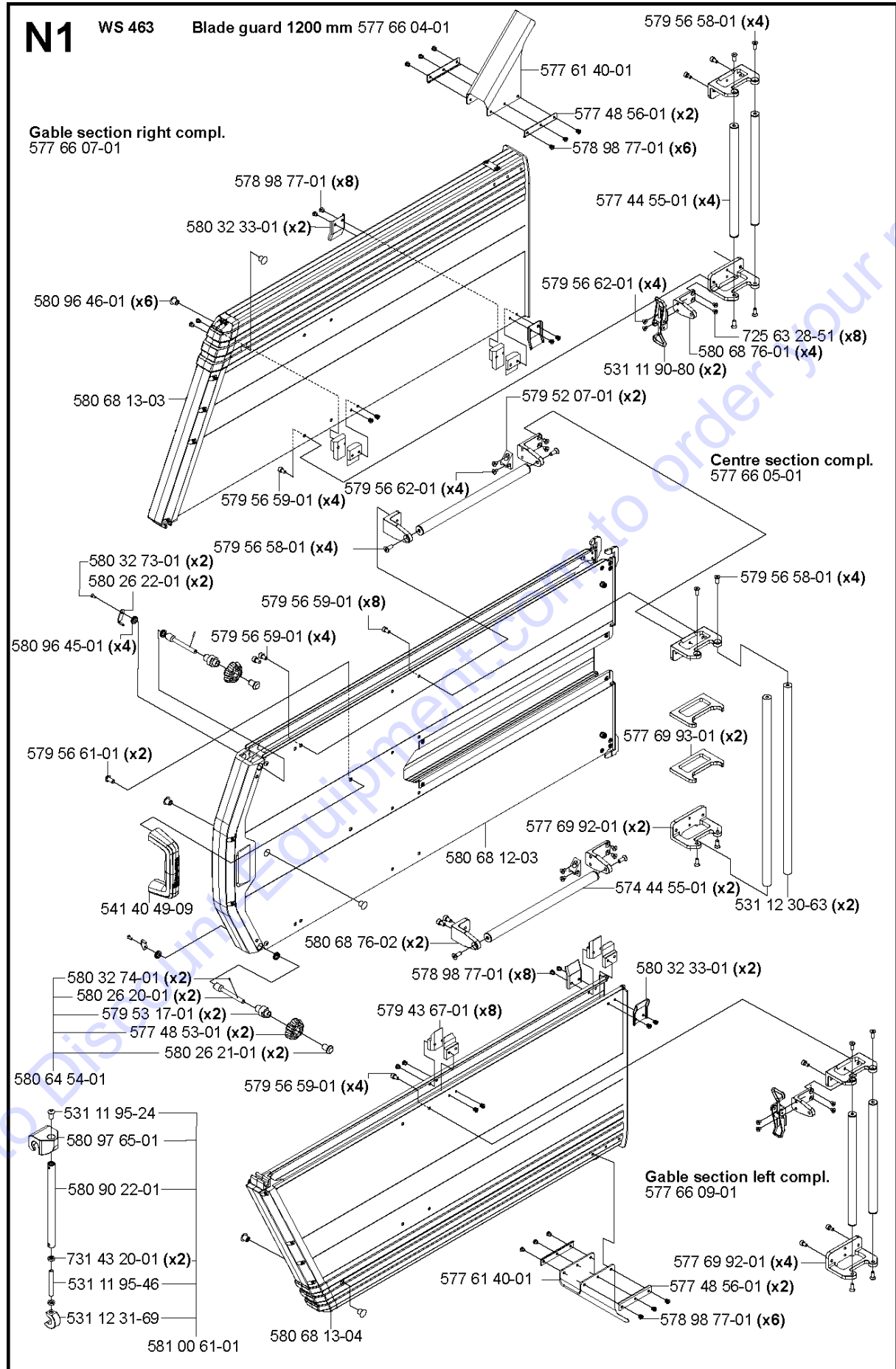
Centre section flush compl.
577 90 30-01



Gable section flush, LEFT compl.
577 74 30-01

Part No	Description	Remark	QTY KIT
504 90 94-14	SCREW ITXSCT		2
504 90 94-14	SCREW ITXSCT		2
531 12 30-63	RAIL		2
541 40 49-09	HANDLE		1
577 48 48-01	HITCH		1
577 48 48-01	HITCH		1
577 48 49-01	HITCH		1
577 48 49-01	HITCH		1
577 61 30-01	LINK		1
577 61 31-01	LINK		1
577 69 92-01	FIXTURE		2
577 69 93-01	FIXTURE		2
577 71 08-01	GUIDE BAR		2
577 74 24-01	BLADE GUARD		1
577 74 30-01	GABLE		1
577 74 32-01	GABLE		1
577 74 42-01	COVER		1
577 74 43-01	COVER		1
577 74 48-01	FRAME		2
577 74 50-01	STRIP		1
577 74 51-04	COVER		1
577 74 52-04	COVER		1
577 90 30-01	BLADE GUARD		1
578 98 77-01	RIVET		6
578 98 77-01	RIVET		6
579 43 67-01	GUIDE PLATE		2
579 56 58-01	SCREW		4
579 56 59-01	SCREW		6
579 56 60-01	SCREW		2
579 56 60-01	SCREW		2
579 56 61-01	SCREW		2
580 32 33-01	GUIDE		1
580 68 18-01	KNOB		2
581 28 51-01	RIVET		1

Go to Discount-Equipment.com to order your parts

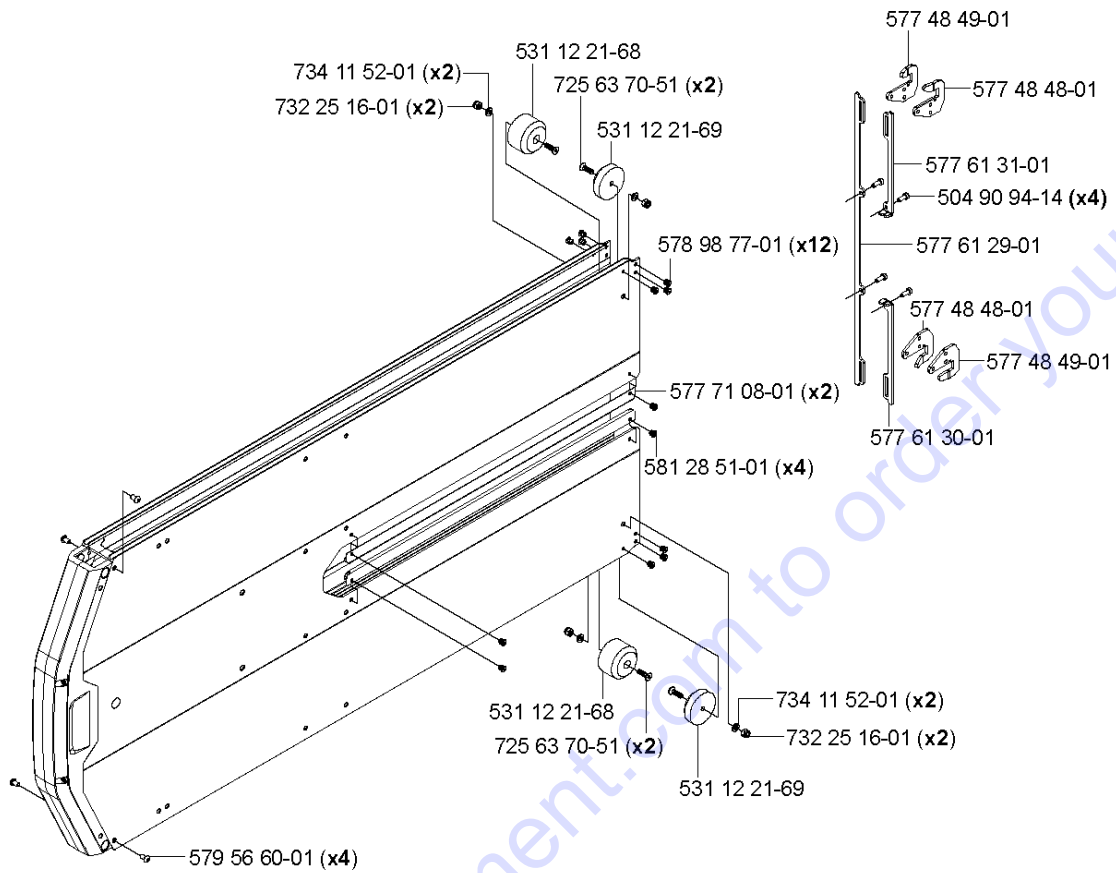


Part No	Description	Remark	QTY KIT
531 11 90-80	SNAP LOCKING		4
531 11 95-24	SCREW		1
531 11 95-46	PIN		1
531 12 30-63	RAIL		2
531 12 31-69	CLAMP		1
541 40 49-09	HANDLE		1
577 44 55-01	GUIDE RAIL		4
577 48 53-01	KNOB		2
577 48 56-01	WASHER		2
577 48 56-01	WASHER		2
577 61 40-01	SPRAY GUARD		1
577 61 40-01	SPRAY GUARD		1
577 66 04-01	BLADE GUARD		1
577 66 05-01	BLADE GUARD	Centre section compl.	1
577 66 09-01	GABLE	Gable section left compl.	1
577 69 92-01	FIXTURE		4
577 69 92-01	FIXTURE		2
577 69 93-01	FIXTURE		2
578 98 77-01	RIVET		8
578 98 77-01	RIVET		6
578 98 77-01	RIVET		6
578 98 77-01	RIVET		8
579 43 67-01	GUIDE PLATE		8
579 52 07-01	HOOK		2
579 53 17-01	CONE		2
579 56 58-01	SCREW		4
579 56 58-01	SCREW		4
579 56 58-01	SCREW		4
579 56 59-01	SCREW		4
579 56 59-01	SCREW		8
579 56 59-01	SCREW		4
579 56 59-01	SCREW		4
579 56 61-01	SCREW		2
579 56 62-01	SCREW		4
579 56 62-01	SCREW		4
580 26 20-01	SCREW		2
580 26 21-01	NUT		2
580 26 22-01	HOOK		2
580 32 33-01	GUIDE		2
580 32 33-01	GUIDE		2
580 32 73-01	SCREW		2
580 32 74-01	PEN		2
580 64 54-01	KNOB		1
580 68 12-03	GUARD		1
580 68 13-03	GUARD		1
580 68 13-04	GUARD		
580 68 76-01	ANGLE BRACKET		4
580 68 76-02	ANGLE BRACKET		2
580 90 22-01	ARBOR SHAFT		1
580 96 45-01	V-RING		4
580 96 46-01	RUBBER PLUG		6
580 97 65-01	HOOK		1
581 00 61-01	STRUT		1
725 63 28-51	SCREW IHCSFM		8
731 43 20-01	HEXAGON THIN NUT		2

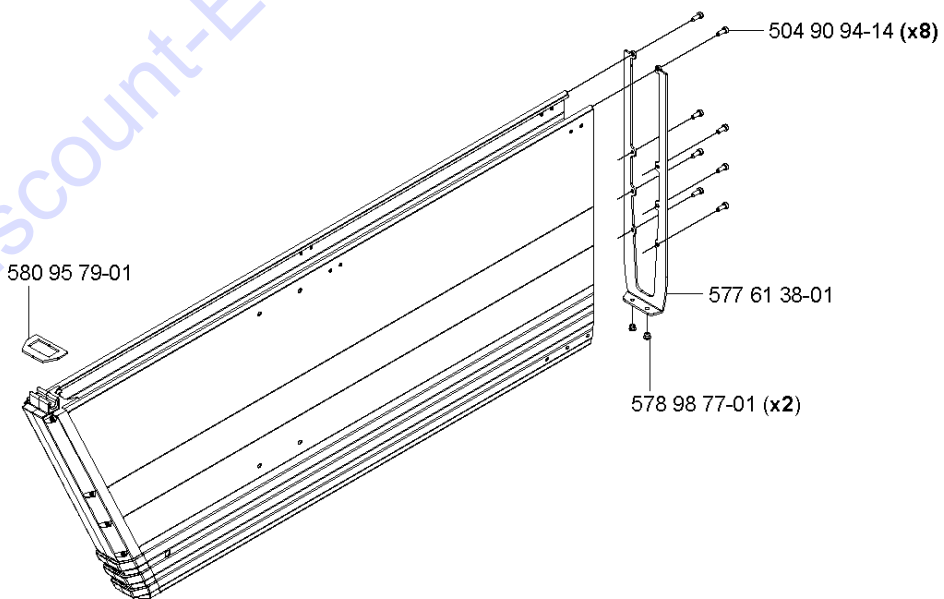
N2

WS 463

Blade guard centre section 1200 mm



Blade guard gable section 1200 mm

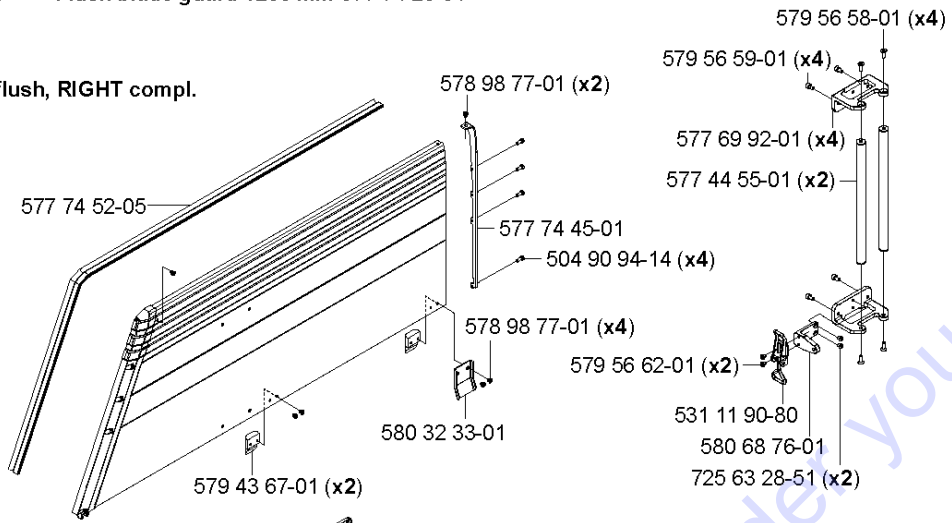


Part No	Description	Remark	QTY KIT
504 90 94-14	SCREW ITXSCT		4
504 90 94-14	SCREW ITXSCT		4
504 90 94-14	SCREW ITXSCT		2
531 12 21-68	GUIDE		2
531 12 21-69	GUIDE		2
577 48 48-01	HITCH		1
577 48 48-01	HITCH		1
577 48 49-01	HITCH		1
577 48 49-01	HITCH		1
577 61 29-01	LINK		1
577 61 30-01	LINK		1
577 61 31-01	LINK		1
577 61 38-01	COVER		1
577 71 08-01	GUIDE BAR		2
578 98 77-01	RIVET		6
578 98 77-01	RIVET		6
579 56 60-01	SCREW		2
579 56 60-01	SCREW		2
580 95 79-01	GASKET		1
581 28 51-01	RIVET		4
725 63 70-51	SCREW IHCSFM		2
725 63 70-51	SCREW IHCSFM		2
732 25 16-01	HEXAGON LOCKING NUT		2
732 25 16-01	HEXAGON LOCKING NUT		2
734 11 52-01	WASHER		2
734 11 52-01	WASHER		2

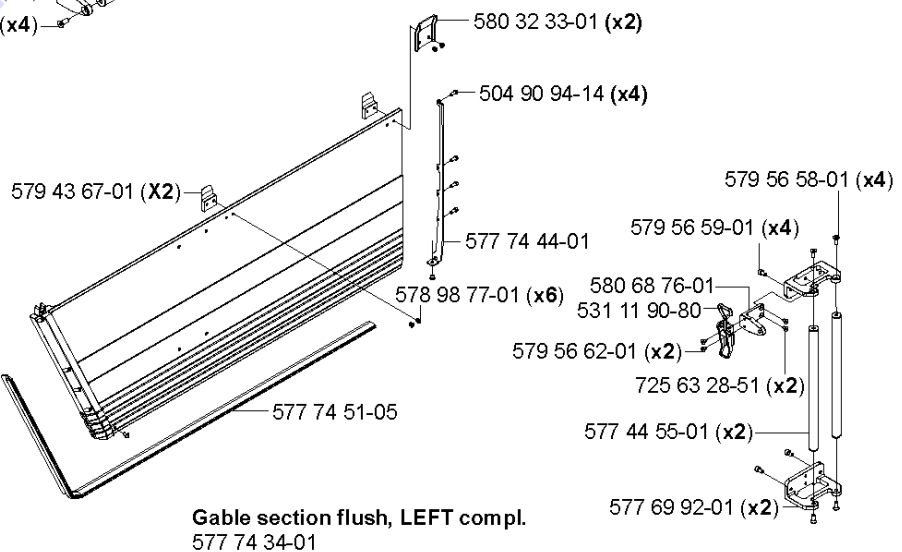
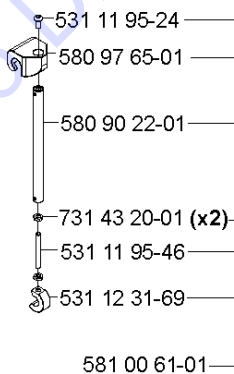
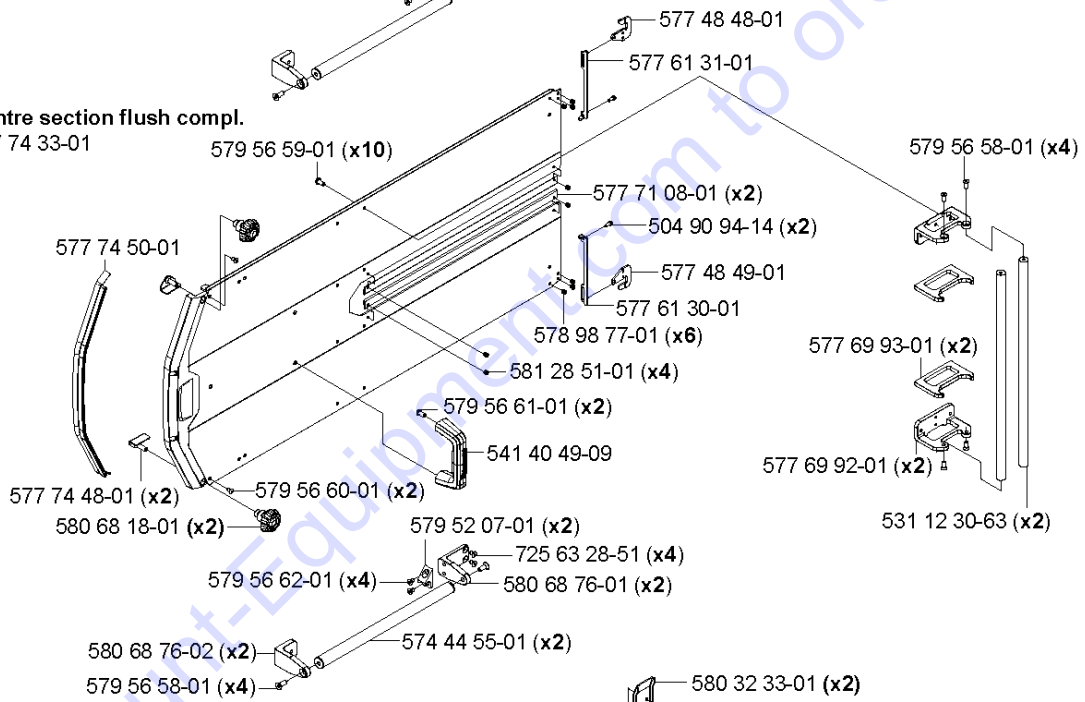
Go to Discount-Equipment.com to order your parts

N3 WS 463 Flush blade guard 1200 mm 577 74 25-01

Gable section flush, RIGHT compl.
577 41 35-01



Centre section flush compl.
577 74 33-01

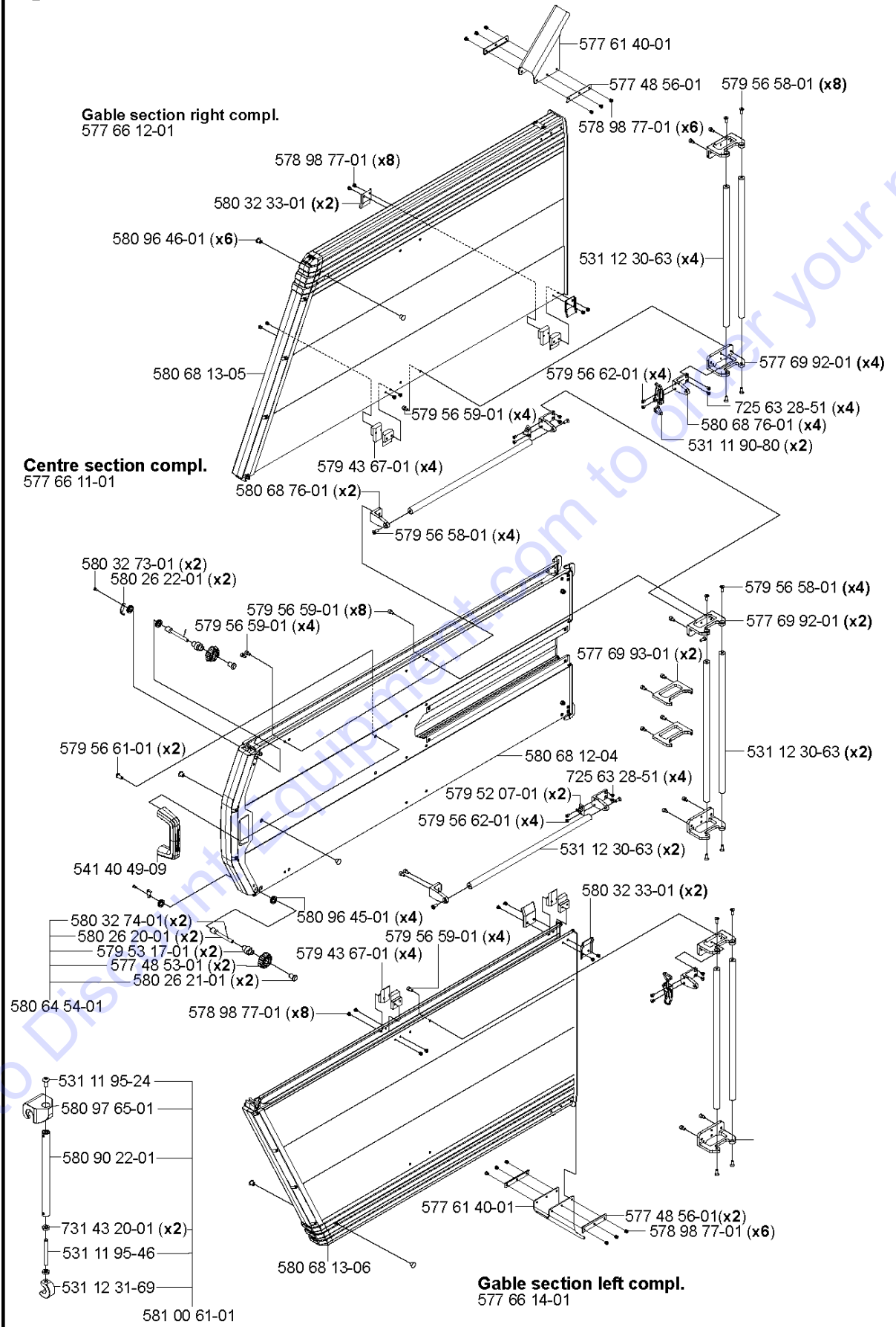


Gable section flush, LEFT compl.
577 74 34-01

Part No	Description	Remark	QTY KIT
504 90 94-14	SCREW ITXSCT		10
504 90 94-14	SCREW ITXSCT		10
531 11 90-80	SNAP LOCKING		1
531 11 95-24	SCREW		1
531 11 95-46	PIN		1
531 12 30-63	RAIL		2
531 12 31-69	CLAMP		1
541 40 49-09	HANDLE		1
574445501	MUFFLER ASSY		2
577 41 35-01	CONTROL		1
577 44 55-01	GUIDE RAIL		1
577 48 48-01	HITCH		1
577 48 49-01	HITCH		1
577 61 30-01	LINK		1
577 61 31-01	LINK		1
577 69 92-01	FIXTURE		1
577 69 93-01	FIXTURE		2
577 71 08-01	GUIDE BAR		2
577 74 25-01	BLADE GUARD		1
577 74 33-01	BLADE GUARD		1
577 74 34-01	GABLE		1
577 74 44-01	COVER		1
577 74 45-01	COVER		1
577 74 48-01	FRAME		2
577 74 50-01	STRIP		1
577 74 51-05	COVER		1
577 74 52-05	COVER		1
578 98 77-01	RIVET		2
579 43 67-01	GUIDE PLATE		1
579 52 07-01	HOOK		2
579 56 58-01	SCREW		1
579 56 59-01	SCREW		4
579 56 60-01	SCREW		2
579 56 61-01	SCREW		2
579 56 62-01	SCREW		2
580 32 33-01	GUIDE		1
580 68 18-01	KNOB		2
580 68 76-01	ANGLE BRACKET		1
580 68 76-02	ANGLE BRACKET		1
580 90 22-01	ARBOR SHAFT		1
580 97 65-01	HOOK		1
581 00 61-01	STRUT		1
581 28 51-01	RIVET		4
725 63 28-51	SCREW IHCSFM		2
731 43 20-01	HEXAGON THIN NUT		2

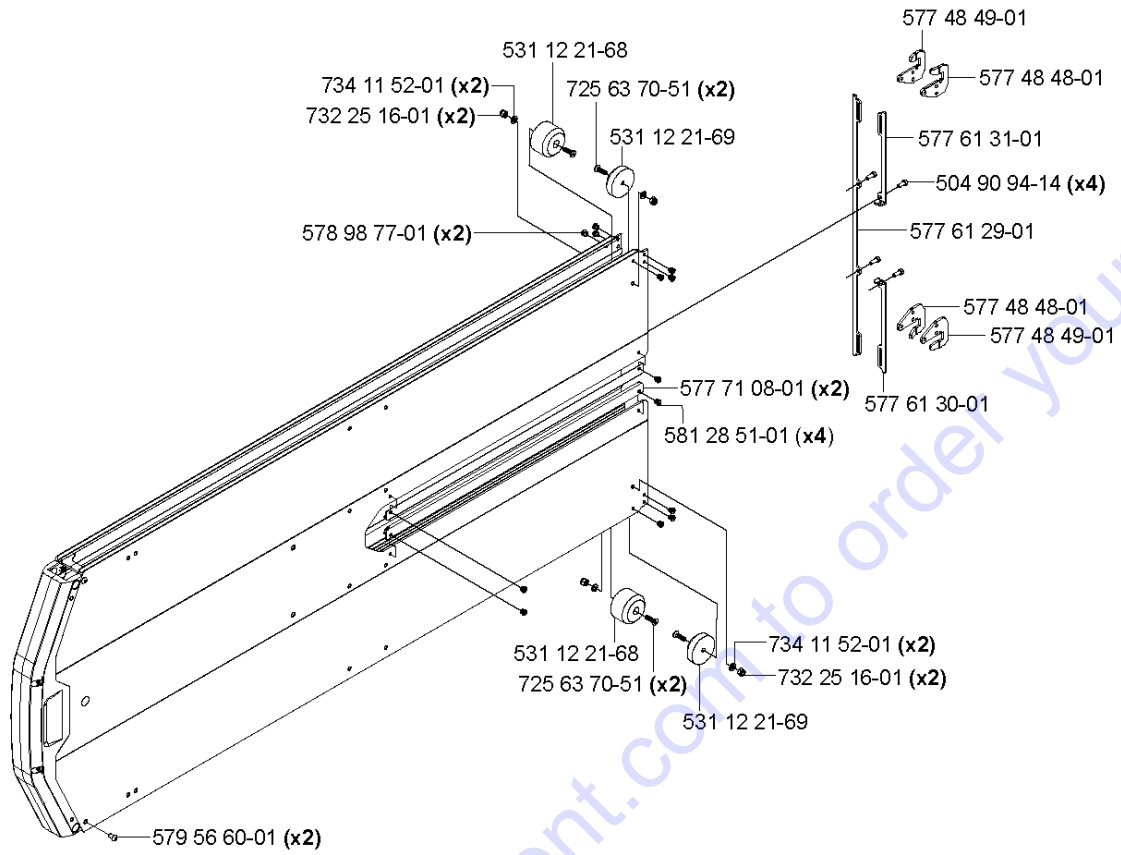
Go to Discount-Equipment.com to order your parts

01 WS 463 Blade guard 1600 mm 577 66 10-01

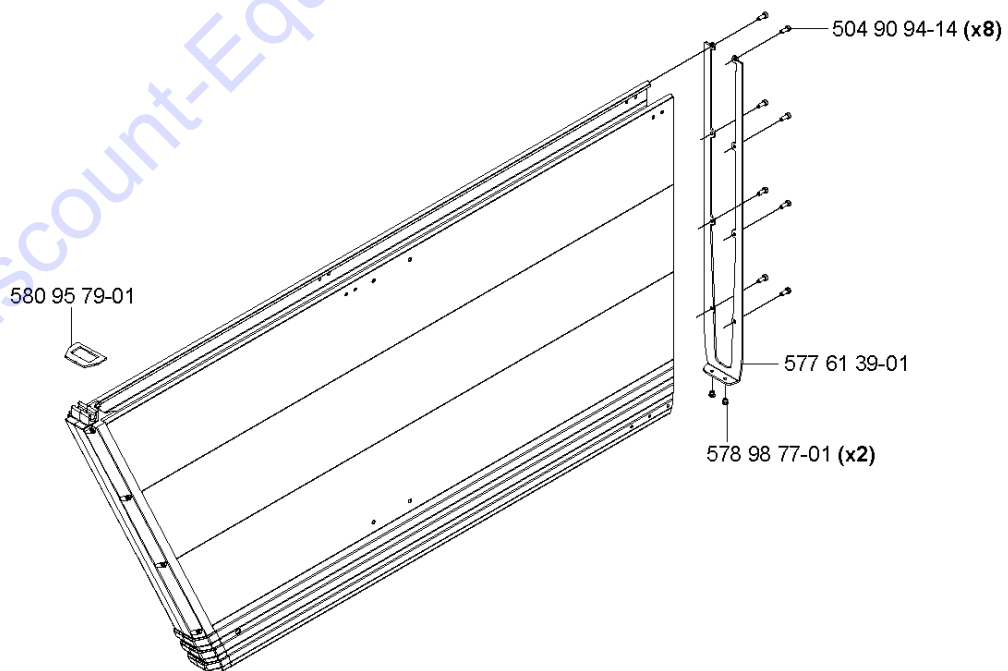


Part No	Description	Remark	QTY KIT
531 11 90-80	SNAP LOCKING		4
531 11 95-24	SCREW		1
531 11 95-46	PIN		1
531 12 30-63	RAIL		4
531 12 30-63	RAIL		2
531 12 30-63	RAIL		2
531 12 31-69	CLAMP		1
541 40 49-09	HANDLE		1
577 48 53-01	KNOB		2
577 48 56-01	WASHER		1
577 48 56-01	WASHER		2
577 48 56-01	WASHER		2
577 48 56-01	WASHER		2
577 61 40-01	SPRAY GUARD		1
577 61 40-01	SPRAY GUARD		1
577 66 10-01	BLADE GUARD	Blade guard 1600 mm	1
577 66 11-01	BLADE GUARD	Centre section compl.	1
577 66 12-01	GABLE	Gable section right compl.	1
577 66 14-01	GABLE	Gable section left compl.	1
577 69 92-01	FIXTURE		2
577 69 93-01	FIXTURE		2
578 98 77-01	RIVET		6
578 98 77-01	RIVET		8
578 98 77-01	RIVET		8
578 98 77-01	RIVET		6
579 43 67-01	GUIDE PLATE		4
579 43 67-01	GUIDE PLATE		4
579 52 07-01	HOOK		2
579 53 17-01	CONE		2
579 56 58-01	SCREW		8
579 56 58-01	SCREW		4
579 56 58-01	SCREW		4
579 56 59-01	SCREW		8
579 56 59-01	SCREW		8
579 56 59-01	SCREW		4
579 56 61-01	SCREW		2
579 56 62-01	SCREW		4
579 56 62-01	SCREW		4
579 56 62-01	SCREW		4
579 56 62-01	SCREW		4
580 26 20-01	SCREW		2
580 26 21-01	NUT		2
580 26 22-01	HOOK		2
580 32 33-01	GUIDE		2
580 32 33-01	GUIDE		2
580 32 73-01	SCREW		2
580 32 74-01	PEN		2
580 64 54-01	KNOB		1
580 68 13-05	GUARD		1
580 68 76-01	ANGLE BRACKET		2
580 68 76-01	ANGLE BRACKET		4
580 90 22-01	ARBOR SHAFT		1
580 96 45-01	V-RING		4
580 96 46-01	RUBBER PLUG		6
580 97 65-01	HOOK		1
581 00 61-01	STRUT		1
725 63 28-51	SCREW IHCSFM		8
731 43 20-01	HEXAGON THIN NUT		2

O2 WS 463 Blade guard centre section 1600 mm



Blade guard gable section 1600 mm



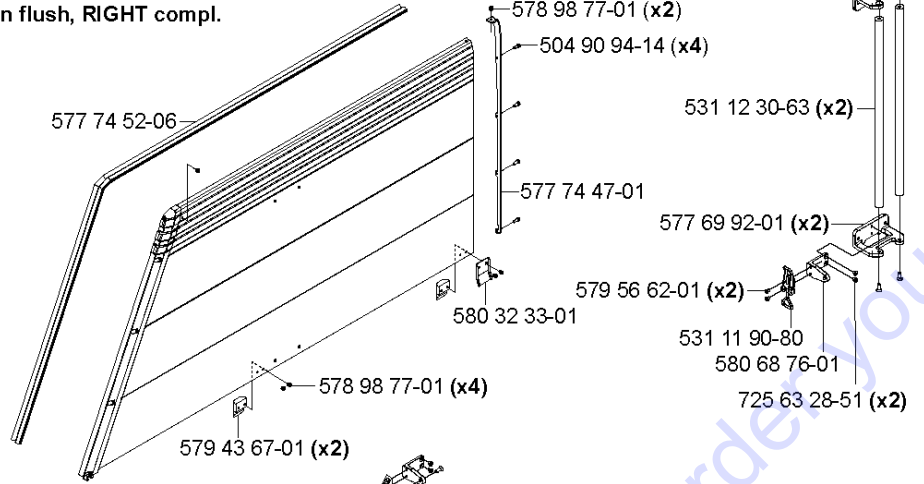
Part No	Description	Remark	QTY KIT
504 90 94-14	SCREW ITXSCT		2
504 90 94-14	SCREW ITXSCT		2
504 90 94-14	SCREW ITXSCT		4
531 12 21-68	GUIDE		2
531 12 21-69	GUIDE		2
577 48 48-01	HITCH		1
577 48 49-01	HITCH		1
577 48 49-01	HITCH		1
577 61 29-01	LINK		1
577 61 30-01	LINK		1
577 61 31-01	LINK		1
577 61 39-01	COVER		1
577 71 08-01	GUIDE BAR		1
577 71 08-01	GUIDE BAR		2
578 98 77-01	RIVET		6
578 98 77-01	RIVET		6
579 56 60-01	SCREW		2
579 56 60-01	SCREW		2
580 95 79-01	GASKET		1
581 28 51-01	RIVET		4
725 63 70-51	SCREW IHCSFM		2
725 63 70-51	SCREW IHCSFM		2
732 25 16-01	HEXAGON LOCKING NUT		2
732 25 16-01	HEXAGON LOCKING NUT		1
734 11 52-01	WASHER		2
734 11 52-01	WASHER		2

Go to Discount-Equipment.com to order your parts

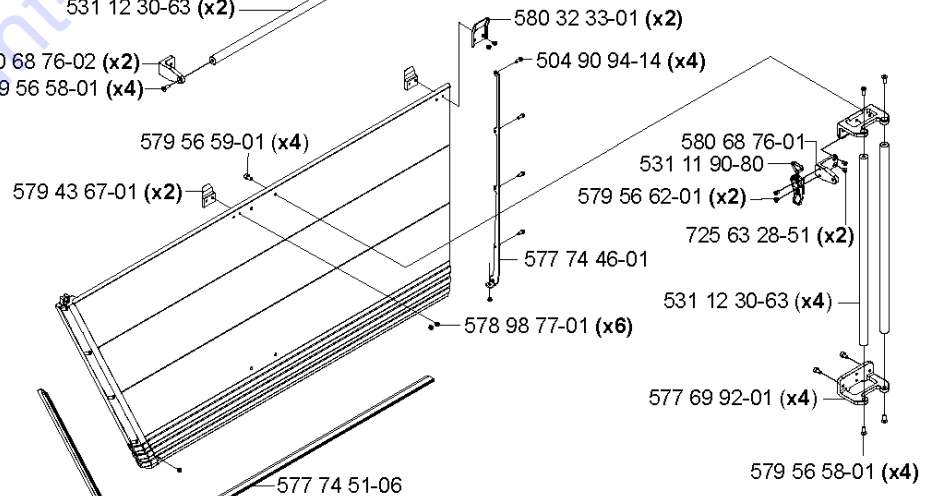
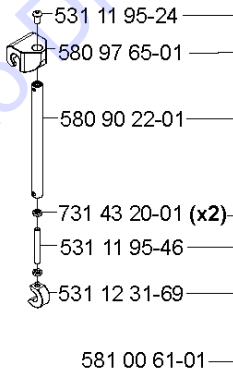
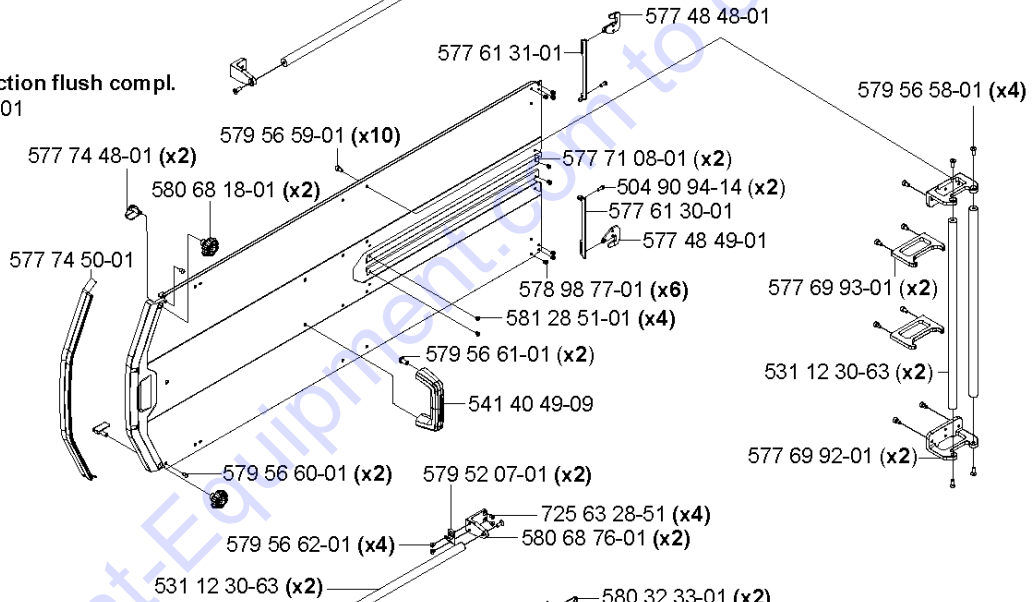
O3

WS 463 Flush blade guard 1600 mm 577 74 26-01

Gable section flush, RIGHT compl.
577 74 37-01



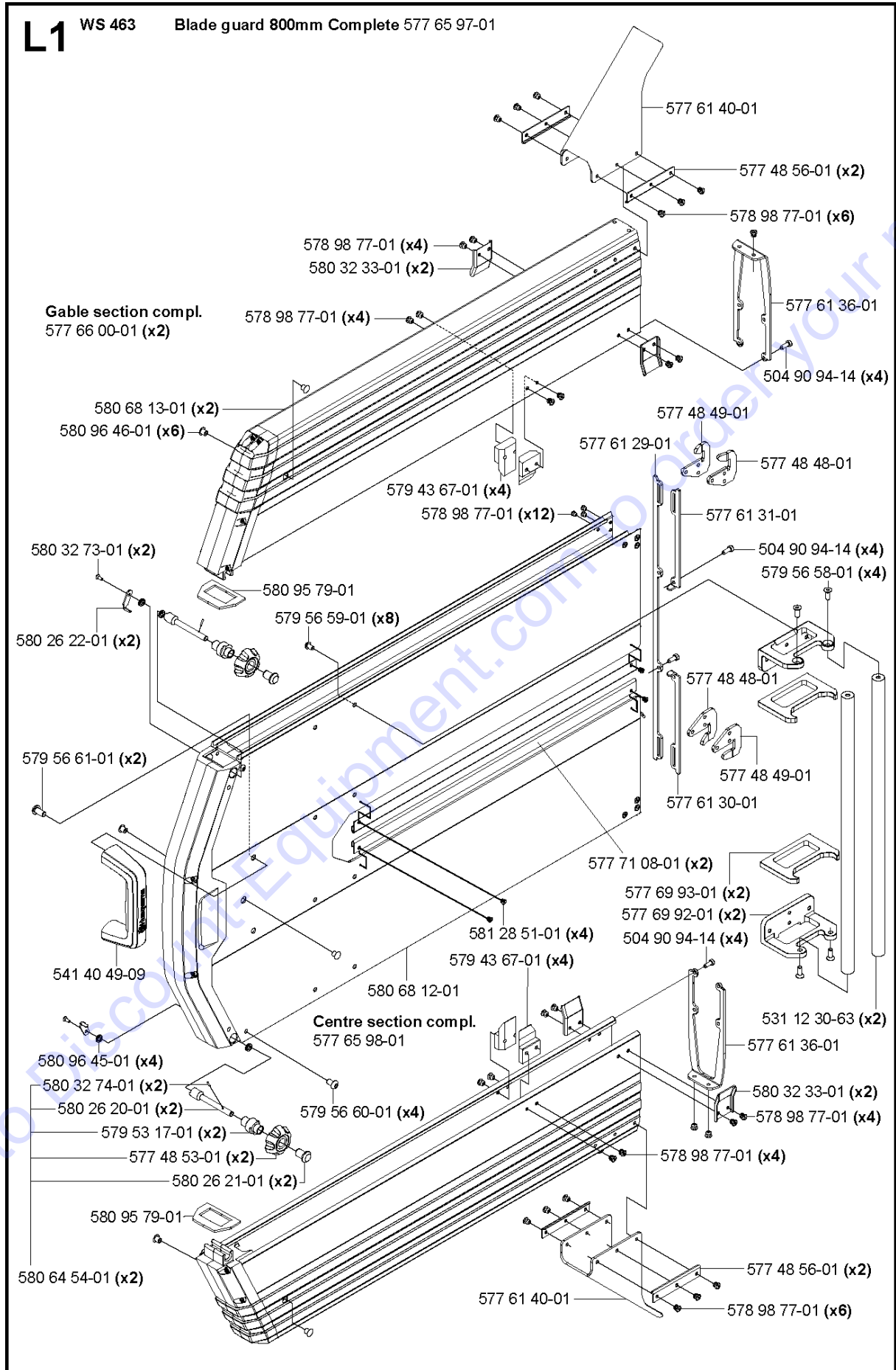
Centre section flush compl.
577 90 31-01



Gable section flush, LEFT compl.
577 74 36-01

Ref	Part No	Description	Remark	QTY KIT
504 90 94-14	504 90 94-14	SCREW ITXSCT		10
504 90 94-14	504 90 94-14	SCREW ITXSCT		10
578 98 77-01	578 98 77-01	RIVET		2
577 74 26-01	577 74 26-01	BLADE GUARD		1
577 74 37-01	577 74 37-01	GABLE		1
577 74 52-06	577 74 52-06	COVER		1
579 43 67-01	579 43 67-01	GUIDE PLATE		2
579 56 58-01	579 56 58-01	SCREW		4
579 56 59-01	579 56 59-01	SCREW		4
531 12 30-63	531 12 30-63	RAIL		2
577 74 47-01	577 74 47-01	COVER		1
577 69 92-01	577 69 92-01	FIXTURE		2
580 32 33-01	580 32 33-01	GUIDE		1
579 56 62-01	579 56 62-01	SCREW		2
531 11 90-80	531 11 90-80	SNAP LOCKING		1
580 68 76-01	580 68 76-01	ANGLE BRACKET		1
725 63 28-51	725 63 28-51	SCREW IHCSFM		2
577 90 31-01	577 90 31-01	BLADE GUARD		1
577 74 48-01	577 74 48-01	FRAME		2
577 74 50-01	577 74 50-01	STRIP		1
580 68 18-01	580 68 18-01	KNOB		1
577 61 31-01	577 61 31-01	LINK		1
577 48 48-01	577 48 48-01	HITCH		1
577 71 08-01	577 71 08-01	GUIDE BAR		2
577 61 30-01	577 61 30-01	LINK		1
580 68 76-02	580 68 76-02	ANGLE BRACKET		2
579 56 60-01	579 56 60-01	SCREW		2
579 56 60-01	577 48 49-01	HITCH		1
577 69 93-01	577 69 93-01	FIXTURE		1
577 48 49-01	577 48 49-01	HITCH		1
577 48 49-01	581 28 51-01	RIVET		4
581 28 51-01	581 28 51-01	RIVET		4
579 56 61-01	579 56 61-01	SCREW		2
577 74 46-01	577 74 46-01	COVER		1
541 40 49-09	541 40 49-09	HANDLE		1
579 52 07-01	579 52 07-01	HOOK		2

Go to Discount-Equipment.com to order your parts

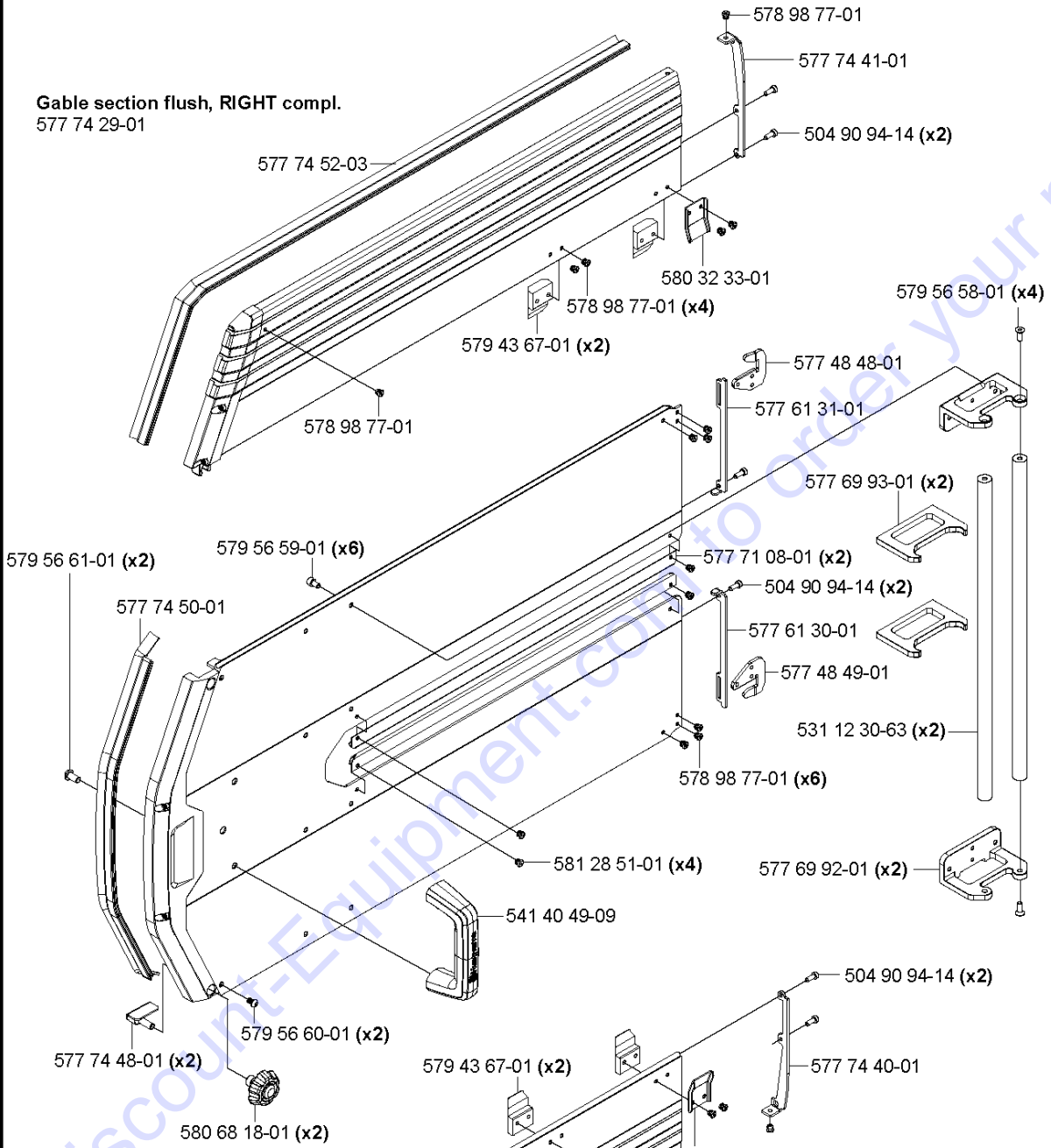


Part No	Description	Remark	QTY KIT
504 90 94-14	SCREW ITXSCT		1
531 12 30-63	RAIL		2
541 40 49-09	HANDLE		1
577 48 48-01	HITCH		1
577 48 49-01	HITCH		1
577 48 53-01	KNOB		2
577 48 56-01	WASHER		2
577 48 56-01	WASHER		2
577 61 29-01	LINK		1
577 61 30-01	LINK		1
577 61 31-01	LINK		1
577 61 36-01	END COVER		1
577 61 40-01	SPRAY GUARD		1
577 61 40-01	SPRAY GUARD		1
577 65 97-01	BLADE GUARD	Blade guard 800mm Complete	1
577 65 98-01	BLADE GUARD	Centre section compl.	1
577 66 00-01	GABLE	Gable section compl.	2
577 69 92-01	FIXTURE		2
577 69 93-01	FIXTURE		2
577 71 08-01	GUIDE BAR		1
578 98 77-01	RIVET		6
578 98 77-01	RIVET		4
578 98 77-01	RIVET		4
578 98 77-01	RIVET		4
578 98 77-01	RIVET		4
578 98 77-01	RIVET		6
579 43 67-01	GUIDE PLATE		4
579 43 67-01	GUIDE PLATE		4
579 53 17-01	CONE		2
579 56 58-01	SCREW		4
579 56 59-01	SCREW		8
579 56 60-01	SCREW		1
579 56 61-01	SCREW		2
580 26 20-01	SCREW		2
580 26 21-01	NUT		2
580 26 22-01	HOOK		2
580 32 33-01	GUIDE		2
580 32 33-01	GUIDE		2
580 32 73-01	SCREW		2
580 32 74-01	PEN		2
580 64 54-01	KNOB		2
580 68 12-01	GUIDE BAR	L2	1
580 68 13-01	GUARD		2
580 95 79-01	GASKET		1
580 95 79-01	GASKET		1
580 96 45-01	V-RING		4
580 96 46-01	RUBBER PLUG		6
581 28 51-01	RIVET		1

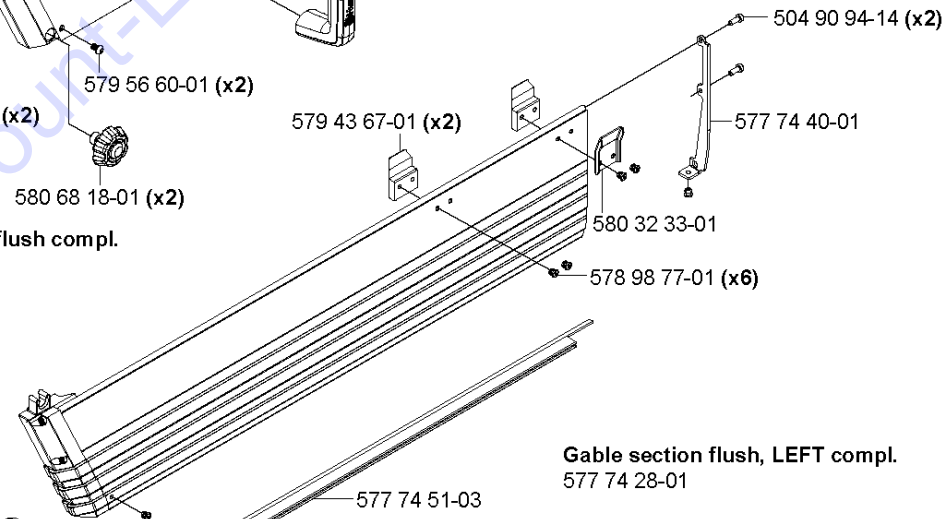
Go to Discount-Equipment.com to order your parts

L2 WS 463 Flush blade guard 800mm complete 577 74 23-01

Gable section flush, RIGHT compl.
577 74 29-01



Centre section flush compl.
577 74 27-01

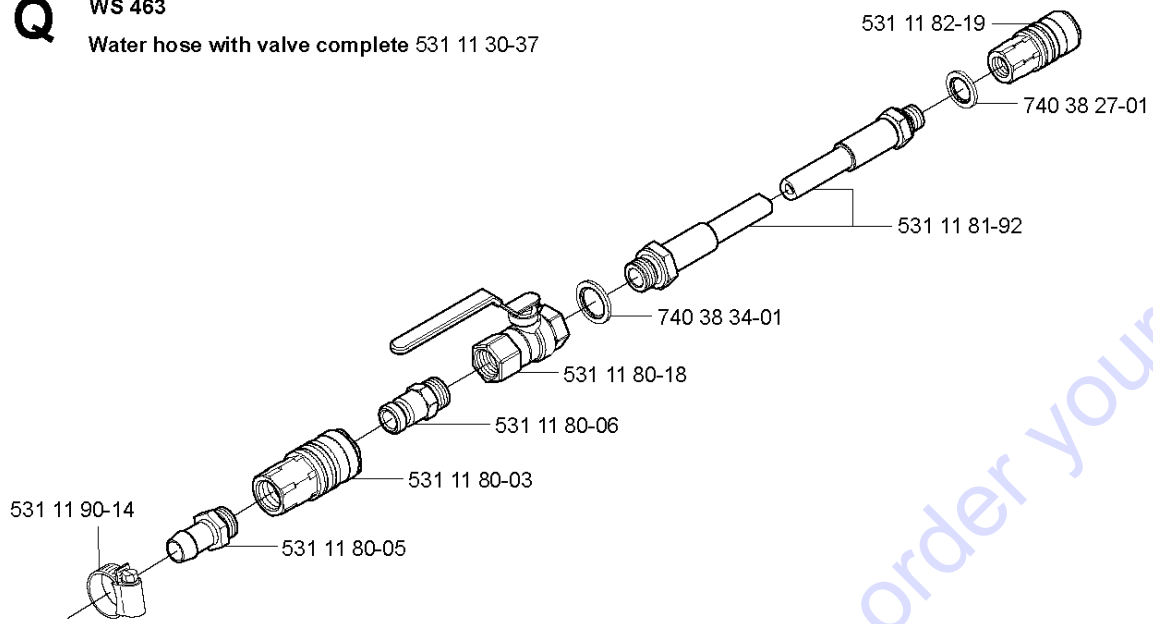


Gable section flush, LEFT compl.
577 74 28-01

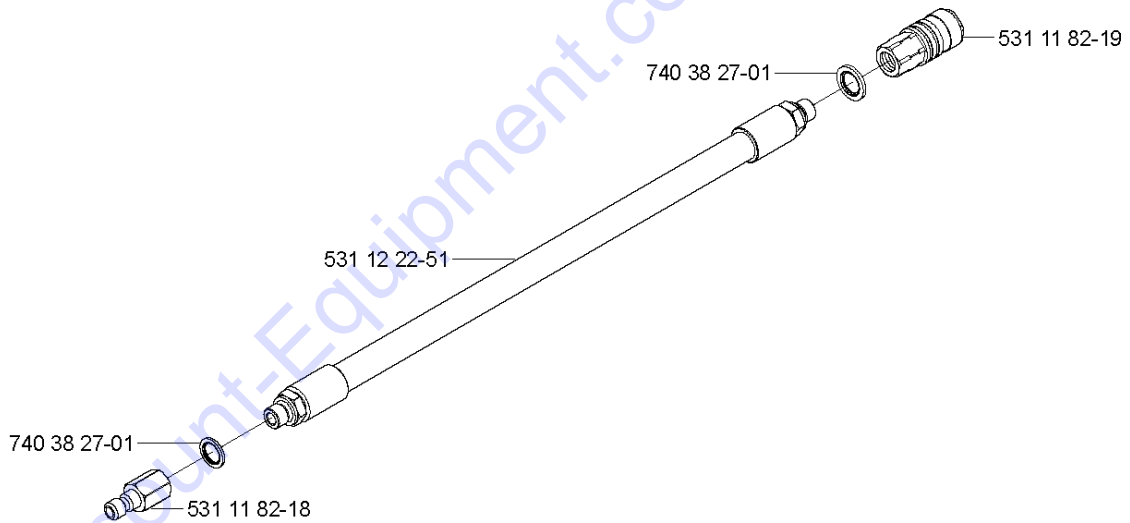
Part No	Description	Remark	QTY KIT
504 90 94-14	SCREW ITXSCT		4
504 90 94-14	SCREW ITXSCT		2
504 90 94-14	SCREW ITXSCT		2
531 12 30-63	RAIL		2
541 40 49-09	HANDLE		1
577 48 48-01	HITCH		1
577 48 48-01	HITCH		1
577 48 49-01	HITCH		1
577 48 49-01	HITCH		1
577 61 30-01	LINK		1
577 61 30-01	LINK		1
577 61 31-01	LINK		1
577 69 92-01	FIXTURE		2
577 69 93-01	FIXTURE		2
577 71 08-01	GUIDE BAR		2
577 74 23-01	BLADE GUARD		1
577 74 27-01	BLADE GUARD		1
577 74 28-01	GABLE		1
577 74 29-01	GABLE		1
577 74 40-01	COVER		1
577 74 41-01	COVER		1
577 74 48-01	FRAME		1
577 74 50-01	STRIP		1
577 74 51-03	COVER		1
577 74 52-03	COVER		1
578 98 77-01	RIVET		6
578 98 77-01	RIVET		6
579 43 67-01	GUIDE PLATE		2
579 56 58-01	SCREW		4
579 56 59-01	SCREW		6
579 56 60-01	SCREW		2
579 56 61-01	SCREW		2
580 32 33-01	GUIDE		1
580 68 18-01	KNOB		1
581 28 51-01	RIVET		4
581 28 51-01	RIVET		1

Go to Discount-Equipment.com to order your parts

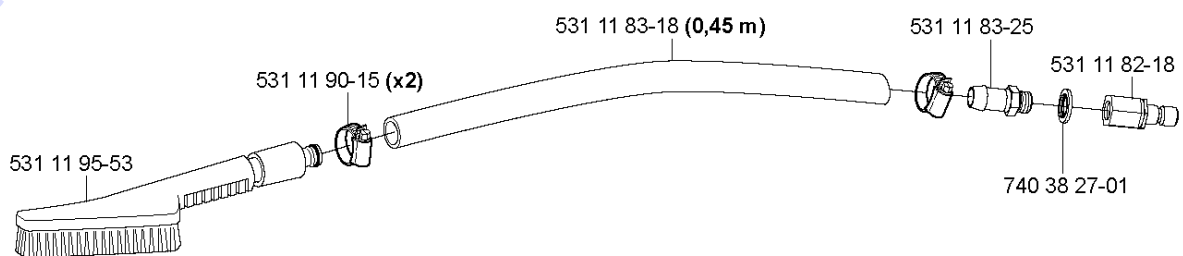
Q WS 463
Water hose with valve complete 531 11 30-37



WS 463 Wear hose, water complete 531 11 33-43



Cleanig brush complete 531 11 32-68



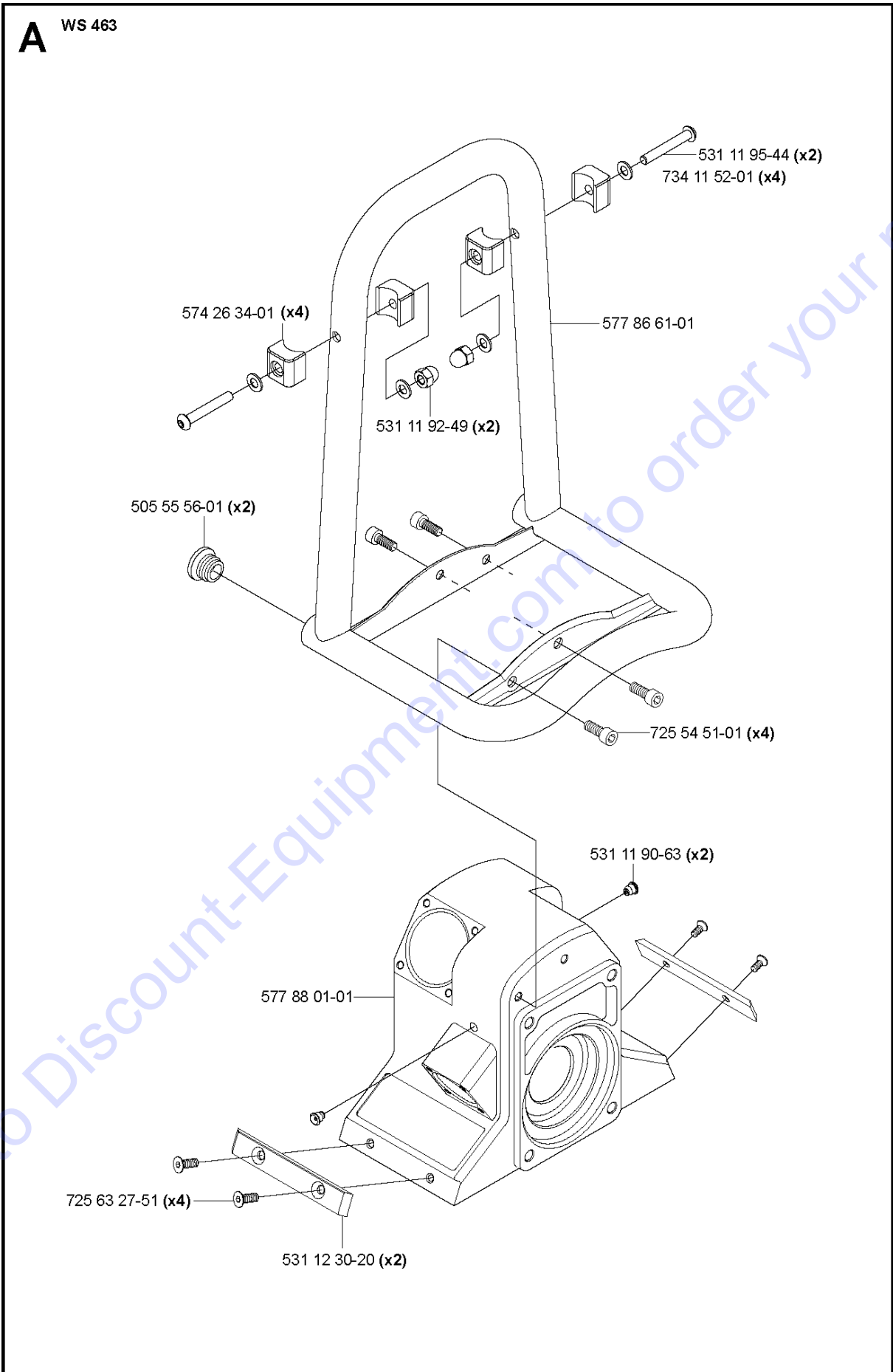
HOSE

WS463, 2012-07

Part No	Description	Remark	QTY KIT
531 11 30-37	HOSE	Water hose with valve complete	1
531 11 32-68	BRUSH	Cleanig brush complete	1
531 11 33-43	WEAR HOSE. WATER COMPLETE	WS 463 Wear hose, water complete	1
531 11 80-03	COUPLING		1
531 11 80-05	NIPPLE		1
531 11 80-06	NIPPLE		1
531 11 80-18	VALVE		1
531 11 81-92	HOSE		1
531 11 82-18	QUICK COUPLING		1
531 11 82-18	QUICK COUPLING		1
531 11 82-19	QUICK COUPLING		1
531 11 82-19	QUICK COUPLING		1
531 11 83-18	HOSE KIT	(0,45 m)	1
531 11 83-25	NIPPLE		1
531 11 90-14	CLAMP		1
531 11 90-15	CLAMP		2
531 11 95-53	BRUSH		1
531 12 22-51	HOSE KIT		1
740 38 27-01	SEALING WASHER		1
740 38 27-01	SEALING WASHER		1
740 38 27-01	SEALING WASHER		1
740 38 27-01	SEALING WASHER		1
740 38 34-01	SEALING WASHER		1

Go to Discount-Equipment.com to order your parts

A WS 463



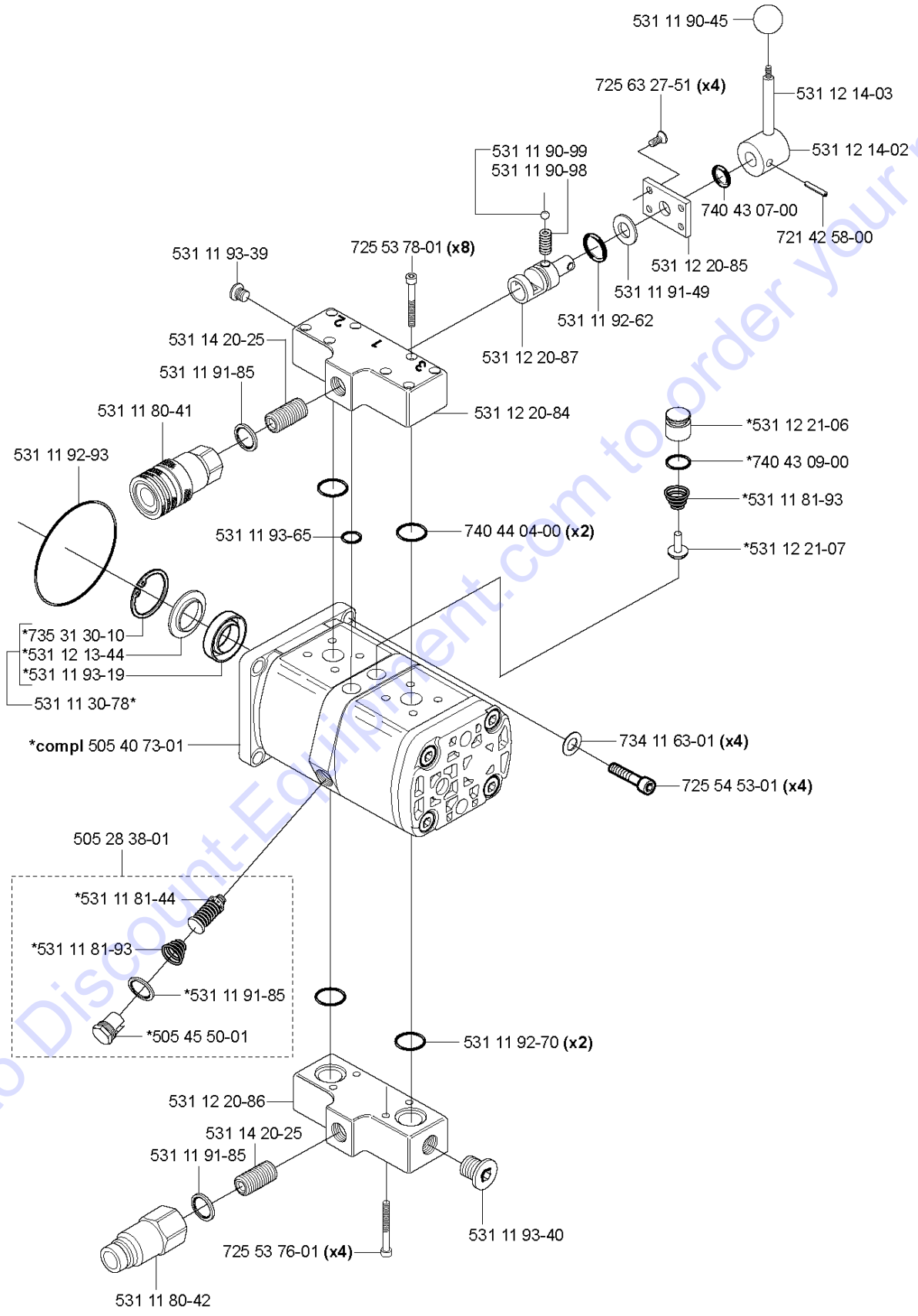
HOUSING

WS463, 2012-07

Part No	Description	Remark	QTY KIT
505 55 56-01	PLUG		2
531 11 90-63	NIPPLE		2
531 11 92-49	CAP NUT		1
531 11 95-44	SCREW		2
531 12 30-20	PLATE		1
574 26 34-01	BLOCK		4
577 86 61-01	HANDLE		1
577 88 01-01	HOUSING		1
725 54 51-01	SCREW IHSCM		4
725 63 27-51	SCREW IHCSFM		4
734 11 52-01	WASHER		4

Go to Discount-Equipment.com to order your parts

F WS 463
Hydraulic motor complete 531 11 32-55

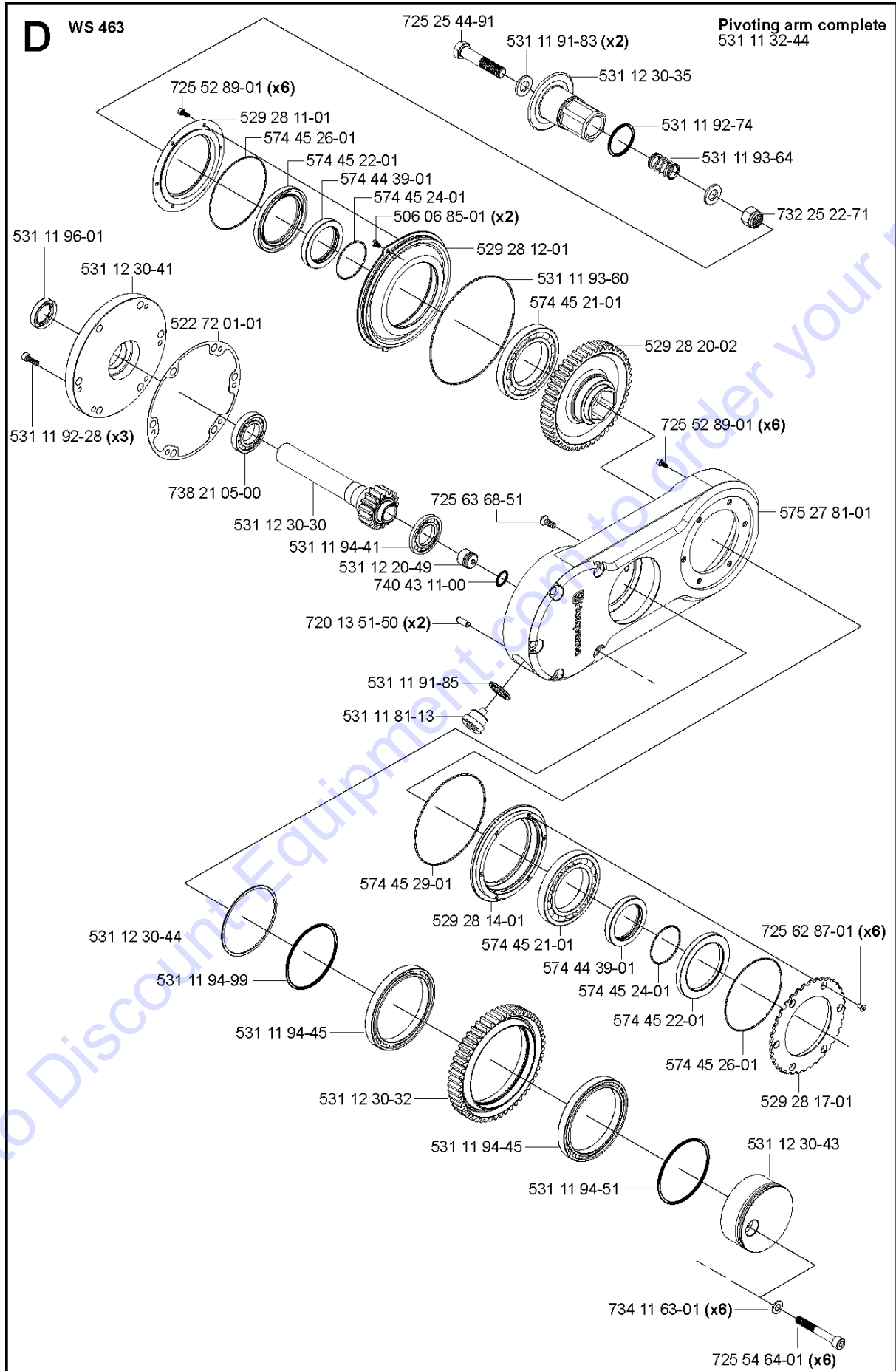


HYDRAULIC PUMP - MOTOR

WS463, 2012-07

Part No	Description	Remark	QTY KIT
505 28 38-01	VALVE ASSY		1
505 40 73-01	HYDRAULIC MOTOR		1
505 45 50-01	PLUG		1
531 11 30-78	RADIAL SEAL		1
531 11 32-55	HYDRAULIC MOTOR		1
531 11 80-41	HYDRAULIC CYLINDER		1
531 11 80-42	HYDRAULIC CYLINDER		1
531 11 81-44	VALVE		1
531 11 81-93	SPRING		1
531 11 81-93	SPRING		1
531 11 90-45	BALL		1
531 11 90-98	SPRING		1
531 11 90-99	BALL		1
531 11 91-49	BEARING		1
531 11 91-85	SEALING RING		1
531 11 91-85	SEALING RING		1
531 11 91-85	SEALING RING		1
531 11 92-62	O-RING		1
531 11 92-70	O-RING		2
531 11 92-93	O-RING		1
531 11 93-19	SEALING		1
531 11 93-39	PLUG		1
531 11 93-40	PLUG		1
531 11 93-65	O-RING		1
531 12 13-44	WASHER		1
531 12 14-02	VALVE		1
531 12 14-03	VALVE		1
531 12 20-84	VALVE		1
531 12 20-85	COVER		1
531 12 20-86	BLOCK		1
531 12 20-87	VALVE		1
531 12 21-06	VALVE PLUG		1
531 12 21-07	HYDRAULIC CYLINDER		1
531 14 20-25	NIPPLE		1
531 14 20-25	NIPPLE		1
721 42 58-00	SPRING PIN		1
725 53 76-01	SCREW IHSCM		4
725 53 78-01	SCREW IHSCM		8
725 54 53-01	SCREW IHSCM		4
725 63 27-51	SCREW IHCSFM		4
734 11 63-01	WASHER		4
735 31 30-10	CIRCLIP		1
740 43 07-00	O-RING		1
740 43 09-00	O-RING		1
740 44 04-00	O-RING		2

Go to Discount-Equipment.com to order your parts



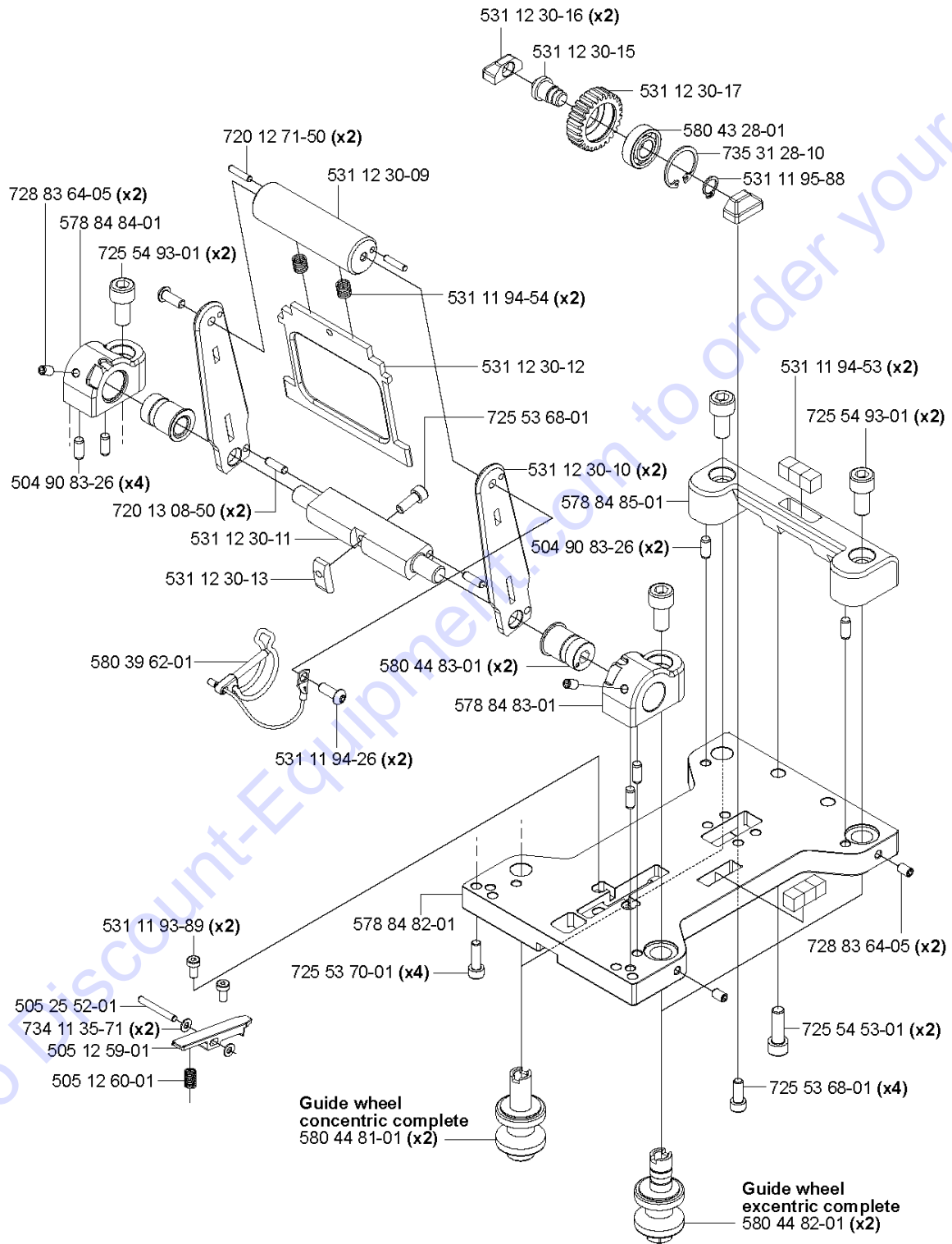
PIVOTING ARM

WS463, 2012-07

Ref	Part No	Description	Remark	QTY KIT
531 11 32-44	531 11 32-44	ARM		1
725 25 44-91	725 25 44-91	SCREW EHHM		1
531 11 91-83	531 11 91-83	WASHER		2
531 12 30-35	531 12 30-35	SHAFT		1
531 11 92-74	531 11 92-74	O-RING		1
531 11 93-64	531 11 93-64	SPRING		1
732 25 22-71	732 25 22-71	HEXAGON LOCKING NUT		1
725 52 89-01	725 52 89-01	SCREW IHSCM		6
529 28 11-01	529 28 11-01	REAR COVER		1
574 45 26-01	574 45 26-01	O-RING		1
574 45 22-01	574 45 22-01	SEAL		1
574 44 39-01	574 44 39-01	RING		1
574 45 24-01	574 45 24-01	O-RING		1
506 06 85-01	506 06 85-01	SCREW		2
529 28 12-01	529 28 12-01	BEARING COVER		1
531 11 93-60	531 11 93-60	O-RING		1
574 45 21-01	574 45 21-01	BEARING		1
529 28 20-02	529 28 20-01	GEAR WHEEL		1
725 52 89-01	725 52 89-01	SCREW IHSCM		6
575 27 81-01	575 27 81-01	GEAR HOUSING		1
531 11 96-01	531 11 96-01	SEALING		1
531 12 30-41	531 12 30-41	PLATE		1
531 11 92-28	531 11 92-28	SCREW		3
522 72 01-01	522 72 01-01	GASKET		1
738 21 05-00	738 21 05-00	BALL BEARING		1
531 12 30-30	531 12 30-30	SHAFT		1
531 11 94-41	531 11 94-41	BEARING		1
531 12 20-49	531 12 20-49	SEALING PLUG		1
740 43 11-00	740 43 11-00	O-RING		1
720 13 51-50	720 13 51-50	PARALLEL PIN		2
531 11 91-85	531 11 91-85	SEALING RING		1
531 11 81-13	531 11 81-13	PLUG		1
531 12 30-44	531 12 30-44	SPACER RING		1
531 11 94-99	531 11 94-99	O-RING		1
531 11 94-45	531 11 94-45	BEARING		1
531 12 30-32	531 12 30-32	GEAR WHEEL		1
531 11 94-45	531 11 94-45	BEARING		1
531 11 94-51	531 11 94-51	O-RING		1
734 11 63-01	734 11 63-01	WASHER		6
725 54 64-01	725 54 64-01	SCREW IHSCM		6
574 45 29-01	574 45 29-01	O-RING		1
529 28 14-01	529 28 14-01	BEARING CAGE		1
574 45 21-01	574 45 21-01	BEARING		1
574 44 39-01	574 44 39-01	RING		1
574 45 24-01	574 45 24-01	O-RING		1
574 45 22-01	574 45 22-01	SEAL		1
574 45 26-01	574 45 26-01	O-RING		1
529 28 17-01	529 28 17-01	LID		1
725 62 87-01	725 62 87-01	SCREW IHCSFM		6

Go to DirectEquipment.com to order your parts

G WS 463 Saw carriage 400 complete 505 22 69-03



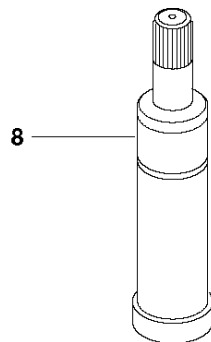
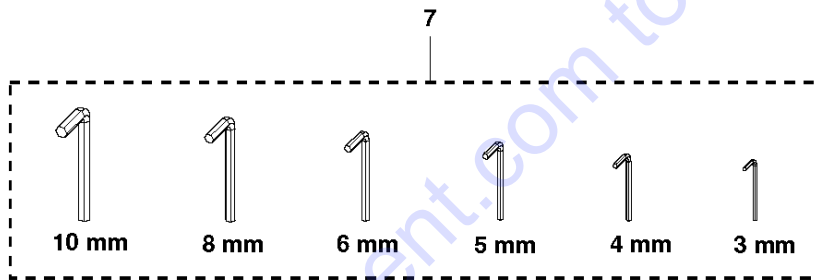
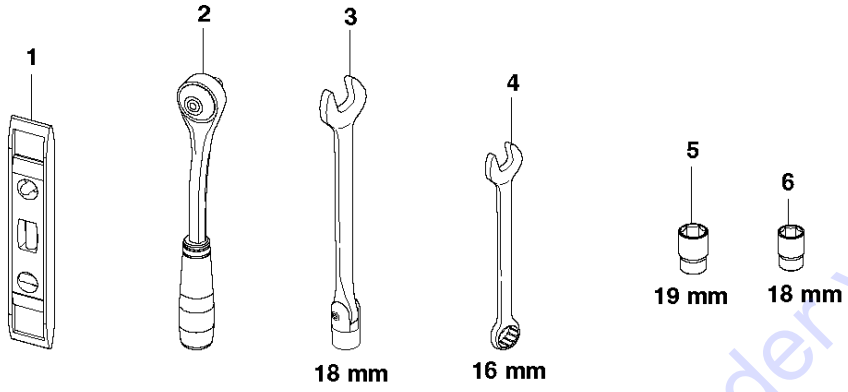
SAW CARRIAGE

WS463, 2012-07

Part No	Description	Remark	QTY KIT
504 90 83-26	PIN		4
504 90 83-26	PIN		2
505 12 59-01	ROCKER LEVER		1
505 12 60-01	SPRING		1
505 22 69-03	CARRIAGE		1
505 25 52-01	PARALLEL PIN		1
531 11 93-89	SCREW		2
531 11 94-26	SCREW		2
531 11 94-53	BLOCK		2
531 11 94-54	SPRING		2
531 11 95-88	CLIP		1
531 12 30-09	HANDLE		1
531 12 30-10	BAR		2
531 12 30-11	SHAFT		1
531 12 30-12	HANDLE		1
531 12 30-13	COTTER		1
531 12 30-15	AUTOMATIC FEEDING SYSTEM		1
531 12 30-16	SHAFT		2
531 12 30-17	GEAR WHEEL		1
578 84 82-01	PLATE		1
578 84 83-01	HOLDER		1
578 84 84-01	HOLDER		1
578 84 85-01	SOCKET		1
580 39 62-01	LOCKING PIN		1
580 43 28-01	BEARING		1
580 44 81-01	WHEEL	Guide wheel concentric complete	2
580 44 82-01	WHEEL	Guide wheel excentric complete	2
580 44 83-01	SLEEVE		2
720 12 71-50	PARALLEL PIN		2
720 13 08-50	PARALLEL PIN		2
725 53 68-01	SCREW IHSCM		1
725 53 68-01	SCREW IHSCM		4
725 53 70-01	SCREW IHSCM		4
725 54 53-01	SCREW IHSCM		2
725 54 93-01	SCREW IHSCM		2
725 54 93-01	SCREW IHSCM		2
728 83 64-05	SCREW IHSETM		2
728 83 64-05	SCREW IHSETM		2
734 11 35-71	WASHER		2
735 31 28-10	CIRCLIP		1

Go to Discount-Equipment.com to order your parts

P WS 463
Toolkit compl 501 37 52-01



Go to Discount-Equipment.com to order your parts

TOOLS

WS463, 2012-07

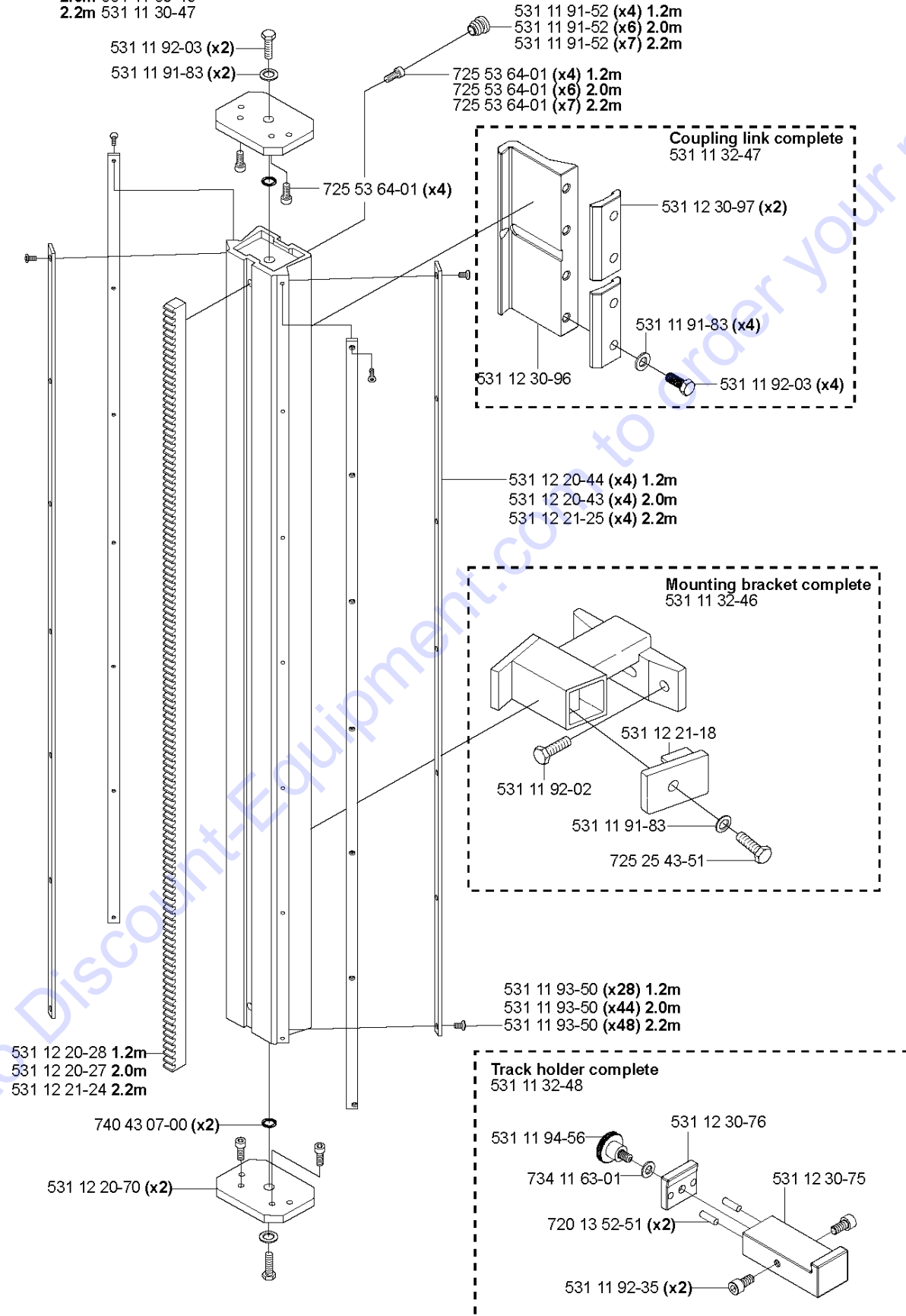
Ref	Part No	Description	Remark	QTY KIT
1	531 11 95-31	TOOL		1
2	531 11 95-32	TOOL		1
3	531 11 90-65	WRENCH	18mm	1
4	531 11 95-33	TOOL	16mm	1
5	531 11 95-41	SOCKET	19mm	1
6	531 11 95-34	SERVICE TOOLS	18mm	1
7	525 45 52-01	HEX KEY		1
8	531 11 91-08	GREASE GUN		1

Go to Discount-Equipment.com to order your parts

H WS 463

Track complete

- 1.2m 531 11 30-45
- 2.0m 531 11 30-46
- 2.2m 531 11 30-47



Go to Discount-Equipment.com to order your parts

TRACK SYSTEM

WS463, 2012-07

Part No	Description	Remark	QTY KIT
531 11 30-45	TRACK	Track Complete 1.2m	1
531 11 30-46	TRACK	Track Complete 2.0m	1
531 11 30-47	TRACK	Track Complete 2.2m	1
531 11 32-46	BRACKET	Mounting bracket complete	1
531 11 32-47	COUPLING	Coupling link complete	1
531 11 32-48	HOLDER ASSY	Track holder complete	1
531 11 91-52	RUBBER PLUG	1.2m	4
531 11 91-52	RUBBER PLUG	2.0m	6
531 11 91-52	RUBBER PLUG	2.2m	7
531 11 91-83	WASHER		2
531 11 91-83	WASHER		4
531 11 91-83	WASHER		1
531 11 92-02	SCREW		1
531 11 92-03	SCREW		2
531 11 92-03	SCREW		4
531 11 92-35	SCREW		2
531 11 93-50	SCREW	1.2m	28
531 11 93-50	SCREW	2.0m	44
531 11 93-50	SCREW	2.2m	48
531 11 94-56	SCREW		1
531 12 20-27	GEAR	2.0m	1
531 12 20-28	GEAR	1.2m	1
531 12 20-43	GUIDE RAIL	2.0m	4
531 12 20-44	GUIDE	1.2m	4
531 12 20-70	PLATE		2
531 12 21-18	WASHER		1
531 12 21-24	GEAR	2.2m	1
531 12 21-25	GUIDE	2.2m	4
531 12 30-75	BRACKET		1
531 12 30-76	PLATE		1
531 12 30-96	COUPLING		1
531 12 30-97	PLATE		2
720 13 52-51	PARALLEL PIN		2
725 25 43-51	SCREW EHHM		1
725 53 64-01	SCREW IHSCM		4
725 53 64-01	SCREW IHSCM	1.2m	4
725 53 64-01	SCREW IHSCM	2.0m	6
725 53 64-01	SCREW IHSCM	2.2m	7
734 11 63-01	WASHER		1
740 43 07-00	O-RING		2

Go to Discount-Equipment.com to order your parts

PARTS FINDER

**Search Website
by Part Number**



**Search Manual
Library For Parts
Manual & Lookup Part
Numbers – Purchase
or Request Quote**

Search Manuals

Enter your information to help us find the right parts manual for your machine.

* Brand:

* Model:

* Serial:

* Part Number:

SEARCH

**Can't Find Part or
Manual? Request Help
by Manufacturer,
Model & Description**

Parts Order Form

Please fill in the following information to help us find the right part for your machine.

Manufacturer:	<input type="text"/>
Model:	<input type="text"/>
Description:	<input type="text"/>
Part Number:	<input type="text"/>
Quantity:	<input type="text"/>
Notes:	<input type="text"/>

Submit

Discount-Equipment.com is your online resource for quality parts & equipment.

Florida: **561-964-4949** Outside Florida TOLL FREE: **877-690-3101**

Need parts?

Click on this link: <http://www.discount-equipment.com/category/5443-parts/> and choose one of the options to help get the right parts and equipment you are looking for. Please have the machine model and serial number available in order to help us get you the correct parts. If you don't find the part on the website or on one of the online manuals, please fill out the request form and one of our experienced staff members will get back to you with a quote for the right part that your machine needs.

We sell worldwide for the brands: Genie, Terex, JLG, MultiQuip, Mikasa, Essick, Whiteman, Mayco, Toro Stone, Diamond Products, Generac Magnum, Airman, Haulotte, Barreto, Power Blanket, Nifty Lift, Atlas Copco, Chicago Pneumatic, Allmand, Miller Curber, Skyjack, Lull, Skytrak, Tsurumi, Husquvarna Target, Stow, Wacker, Sakai, Mi-T-M, Sullair, Basic, Dynapac, MBW, Weber, Bartell, Bennar Newman, Haulotte, Ditch Runner, Menegotti, Morrison, Contec, Buddy, Crown, Edco, Wyco, Bomag, Laymor, EZ Trench, Bil-Jax, F.S. Curtis, Gehl Pavers, Heli, Honda, ICS/PowerGrit, IHI, Partner, Imer, Clipper, MMD, Koshin, Rice, CH&E, General Equipment, Amida, Coleman, NAC, Gradall, Square Shooter, Kent, Stanley, Tamco, Toku, Hatz, Kohler, Robin, Wisconsin, Northrock, Oztec, Toker TK, Rol-Air, APT, Wylie, Ingersoll Rand / Doosan, Innovatech, Con X, Ammann, Mecalac, Makinex, Smith Surface Prep, Small Line, Wanco, Yanmar