



# SPARE PARTS LIST

ACCESSORIES AND TOOLS

WS440 HF, WS460, WS462, WS463,  
WS482 HF

Go to [Discount-Equipment.com](http://Discount-Equipment.com) to order your parts



# PARTS FINDER

**Search Website  
by Part Number**



**Search Manual  
Library For Parts  
Manual & Lookup Part  
Numbers – Purchase  
or Request Quote**

**Search Manuals**

Enter your information to help us find the right parts manual for your machine.

\* Brand:

\* Model:

\* Serial:

\* Part Number:

SEARCH

**Can't Find Part or  
Manual? Request Help  
by Manufacturer,  
Model & Description**

**Parts Order Form**

Please fill in the following information to help us find the right part for your machine.

Manufacturer:	<input type="text"/>
Model:	<input type="text"/>
Description:	<input type="text"/>
Part Number:	<input type="text"/>
Quantity:	<input type="text"/>
Notes:	<input type="text"/>

Submit

Discount-Equipment.com is your online resource for quality parts & equipment.

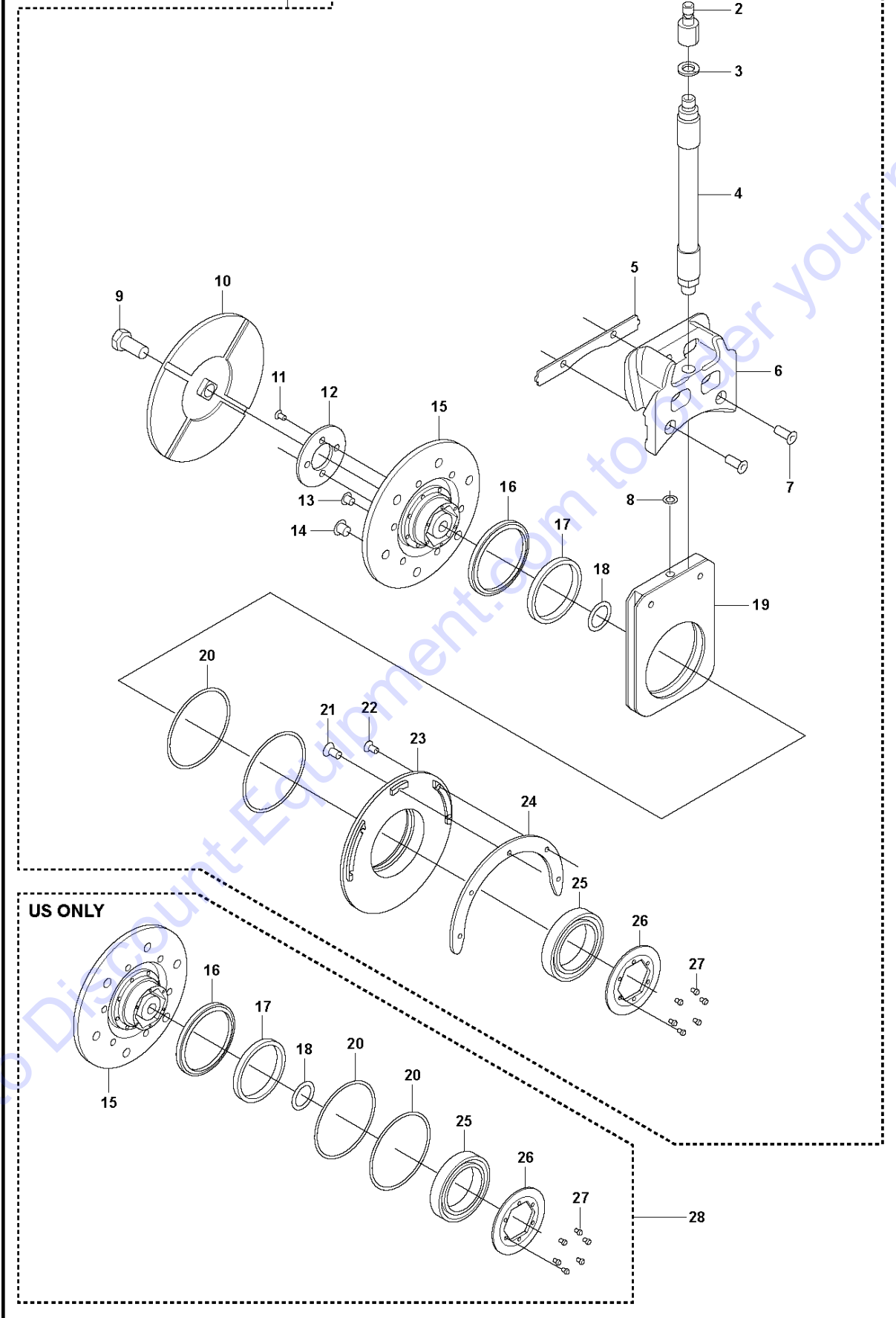
Florida: **561-964-4949** Outside Florida TOLL FREE: **877-690-3101**

**Need parts?**

Click on this link: <http://www.discount-equipment.com/category/5443-parts/> and choose one of the options to help get the right parts and equipment you are looking for. Please have the machine model and serial number available in order to help us get you the correct parts. If you don't find the part on the website or on one of the online manuals, please fill out the request form and one of our experienced staff members will get back to you with a quote for the right part that your machine needs.

We sell worldwide for the brands: Genie, Terex, JLG, MultiQuip, Mikasa, Essick, Whiteman, Mayco, Toro Stone, Diamond Products, Generac Magnum, Airman, Haulotte, Barreto, Power Blanket, Nifty Lift, Atlas Copco, Chicago Pneumatic, Allmand, Miller Curber, Skyjack, Lull, Skytrak, Tsurumi, Husquvarna Target, Stow, Wacker, Sakai, Mi-T-M, Sullair, Basic, Dynapac, MBW, Weber, Bartell, Bennar Newman, Haulotte, Ditch Runner, Menegotti, Morrison, Contec, Buddy, Crown, Edco, Wyco, Bomag, Laymor, EZ Trench, Bil-Jax, F.S. Curtis, Gehl Pavers, Heli, Honda, ICS/PowerGrit, IHI, Partner, Imer, Clipper, MMD, Koshin, Rice, CH&E, General Equipment, Amida, Coleman, NAC, Gradall, Square Shooter, Kent, Stanley, Tamco, Toku, Hatz, Kohler, Robin, Wisconsin, Northrock, Oztec, Toker TK, Rol-Air, APT, Wylie, Ingersoll Rand / Doosan, Innovatech, Con X, Ammann, Mecalac, Makinex, Smith Surface Prep, Small Line, Wanco, Yanmar

**A** Accessories WS 400  
Blade flange



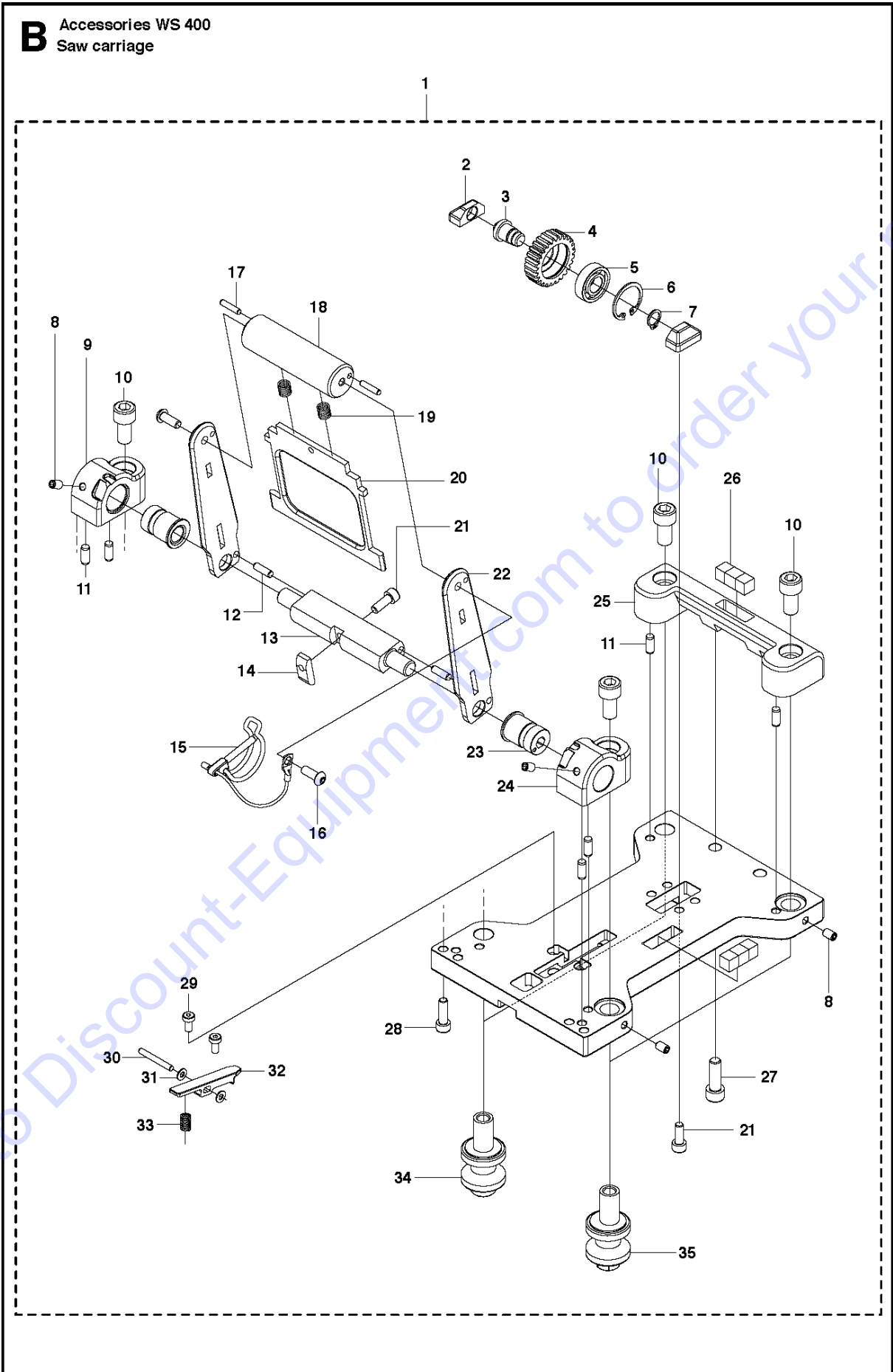
## BLADE FLANGE

WS440 HF, WS460, WS462, WS463, WS482 HF

Ref	Part No	Description	Remark	QTY KIT	
1	574 82 95-05	FLANGE	For 60mm blade bore - Aluminium	1	
1	574 82 95-06	FLANGE	For flushcut. holes 130 - Aluminium	1	
2	531 11 82-18	QUICK COUPLING		1	1
3	740 38 27-01	SEALING WASHER		1	1
4	531 12 30-95	HOSE		1	1
5	587 17 14-01	POINTER		1	1
6	529 88 64-01	CONNECTION	Aluminium	1	
6	587 16 96-01	CONNECTION	Fiberglass	1	1
7	725 63 70-51	SCREW IHCSFM		2	1
8	740 42 07-00	O-RING		1	1
9	531 11 92-02	SCREW		1	1
10	531 12 30-33	FLANGE		1	1
11	723 53 66-51	SCREW	NOT ON 1"	4	1
12	531 12 30-48	SPACER	NOT ON 1"	1	1
13	725 64 47-51	SCREW IHCSFM	M8 Screw for flush cut blade	6	
14	531 11 95-93	PLUG	M10 PLUG for flush cut blade	6	1
13	725 64 89-51	SCREW IHCSFM	M10 Screw for flush cut blade	6	
14	531 11 95-17	PLUG	M10 PLUG for flush cut blade	6	
15	577 53 22-01	FLANGE	1" and 60 mm flange	1	1
15	577 53 28-01	FLANGE	Flange 130	1	1
15	577 53 22-01	FLANGE	US ONLY	1	28
16	505 21 63-01	RADIAL SEAL		1	1, 28
17	574 45 23-01	SEAL		1	1, 28
18	740 44 05-00	O-RING		1	1, 28
19	587 16 89-01	BLOCK	For Aluminium Guards	1	1
19	574 43 55-01	BLOCK	For Fiberglass Guards	1	1
20	574 45 25-01	O-RING		2	1, 28
21	725 63 66-51	SCREW IHCSFM		1	1
22	725 63 27-51	SCREW IHCSFM		4	1
23	574 43 13-01	HUB		1	1
24	531 12 30-51	PLATE		1	1
25	582 74 22-01	BALL BEARING		1	1, 28
26	577 53 16-02	STOP WASHER		1	1, 28
27	577 53 29-01	SCREW		6	1, 28
28	535 58 84-01	BLADE	US ONLY	1	

Go to Discount-Equipment.com to order your parts

**B** Accessories WS 400  
Saw carriage



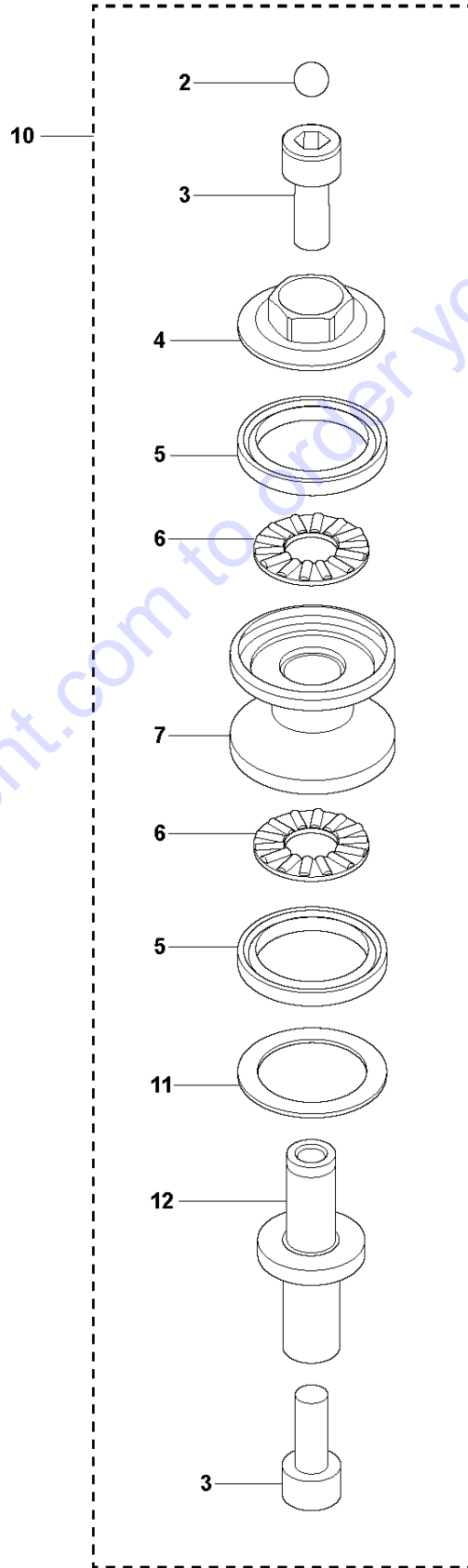
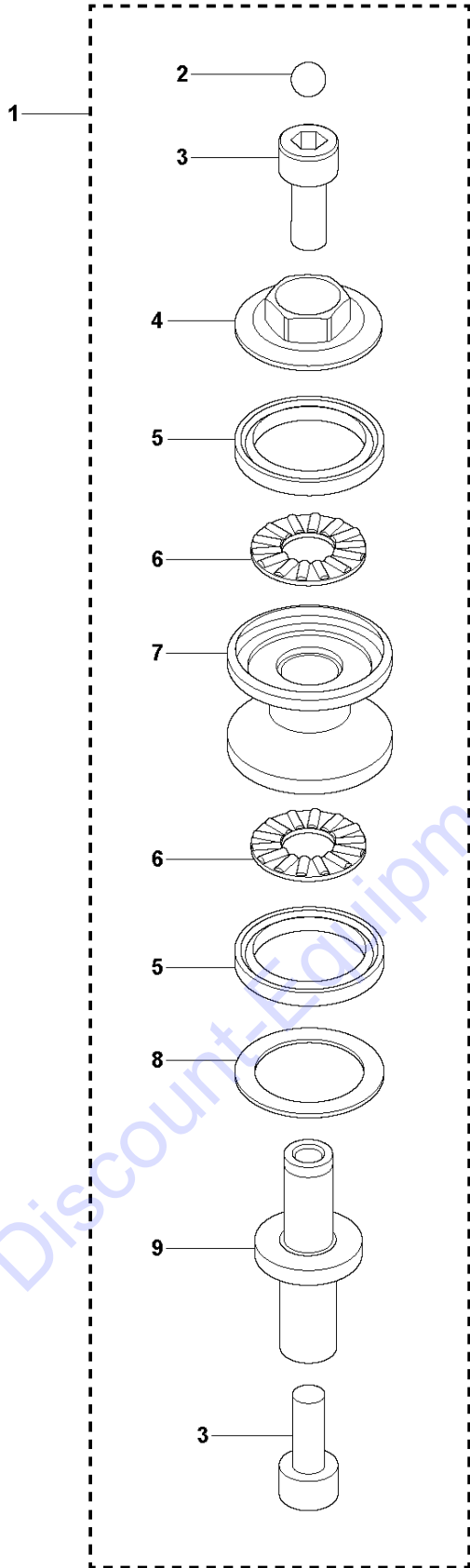
## SAW CARRIAGE

WS440 HF, WS460, WS462, WS463, WS482 HF

Ref	Part No	Description	Remark	QTY KIT
1	584 64 21-01	CARRIAGE		1
2	531 12 30-16	SHAFT		2
3	531 12 30-15	AUTOMATIC FEEDING SYSTEM		1
4	531 12 30-17	GEAR WHEEL		1
5	580 43 28-01	BEARING		1
6	735 31 28-10	CIRCLIP		1
7	531 11 95-88	CLIP		1
8	728 83 64-05	SCREW IHSETM		4
9	578 84 84-01	HOLDER		1
10	725 54 91-01	SCREW IHSCM		4
11	725 53 68-01	SCREW IHSCM		6
12	720 13 08-50	PARALLEL PIN		2
13	531 12 30-11	SHAFT		1
14	531 12 30-13	COTTER		1
15	580 39 62-01	LOCKING PIN		1
16	531 11 94-26	SCREW		2
17	720 12 71-50	PARALLEL PIN		2
18	531 12 30-09	HANDLE		1
19	531 11 94-54	SPRING		2
20	531 12 30-12	HANDLE		1
21	725 53 68-01	SCREW IHSCM		5
22	531 12 30-10	BAR		2
23	580 44 83-01	SLEEVE		2
24	578 84 83-01	HOLDER		1
25	578 84 85-01	SOCKET		1
26	531 11 94-53	BLOCK		2
27	725 54 53-01	SCREW IHSCM		2
28	725 53 70-01	SCREW IHSCM		4
29	531 11 93-89	SCREW		2
30	505 25 52-01	PARALLEL PIN		1
31	734 11 35-71	WASHER		2
32	505 12 59-01	ROCKER LEVER		1
33	505 12 60-01	SPRING		1
34	584 63 16-01	WHEEL	Concentric, incl. Pos.10	2
35	584 63 15-01	WHEEL	Eccentric, incl. Pos.10	2

Go to Discount-Equipment.com to order your parts

**B2** Accessories WS 400  
Wheel kit



Go to Discount-Equipment.com to order your parts

## WHEEL KIT

WS440 HF, WS460, WS462, WS463, WS482 HF

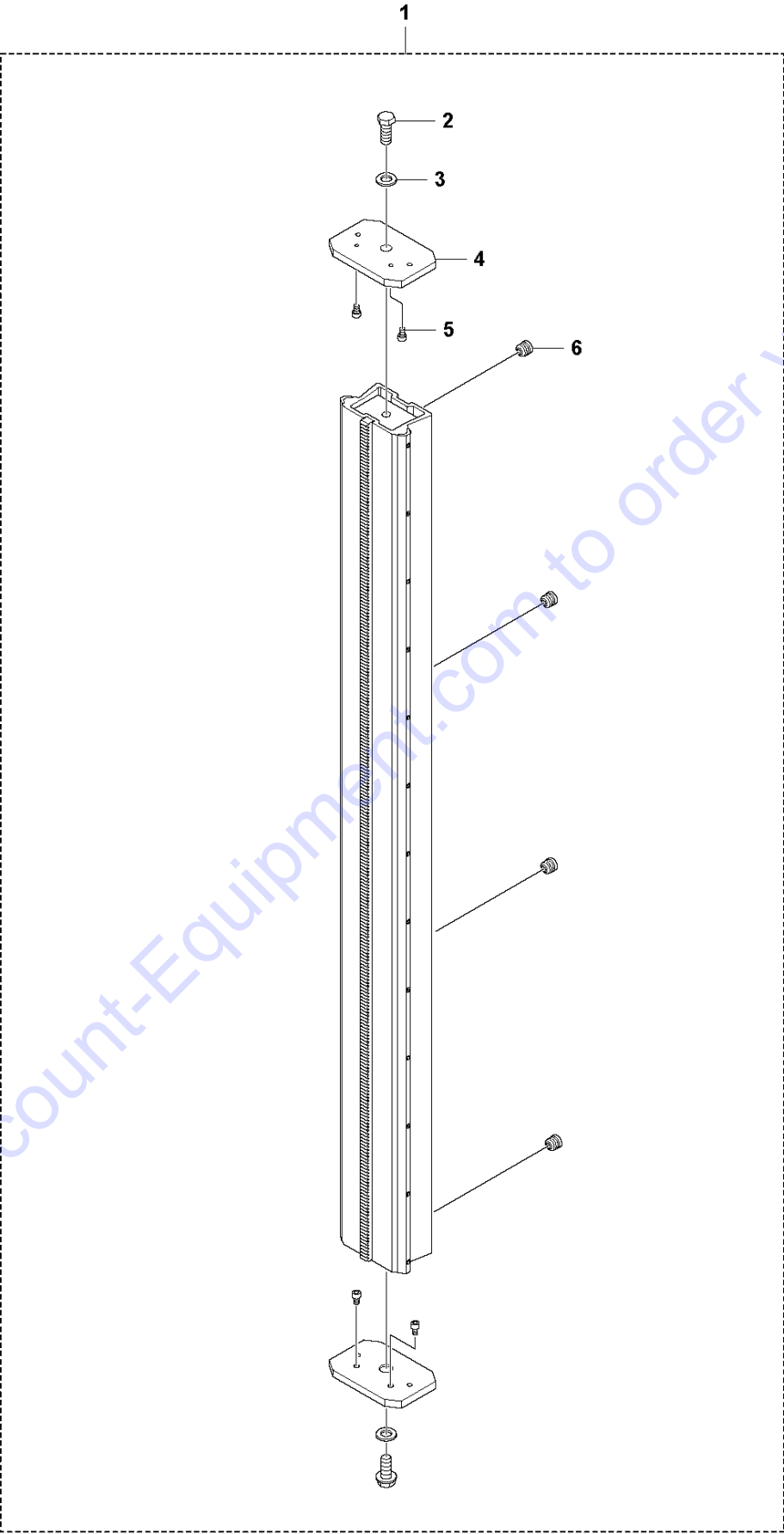
Ref	Part No	Description	Remark	QTY	KIT
1	584 63 15-01	WHEEL		1	
2	581 08 40-01	BALL		2	1, 10
3	578 86 20-01	SCREW		4	1, 10
4	586 26 75-01	WASHER		2	1, 10
5	584 64 29-01	SEAL		4	1, 10
6	531 11 90-84	BEARING		4	1, 10
7	586 26 78-01	WHEEL		2	1, 10
8	586 26 75-01	WASHER		1	1
9	586 26 72-01	SHAFT		1	1
10	584 63 16-01	WHEEL		1	
11	586 26 75-01	WASHER		1	10
12	586 26 73-01	SHAFT		1	10

Go to [Discount-Equipment.com](http://Discount-Equipment.com) to order your parts



**C** Asseccories WS 400

Track



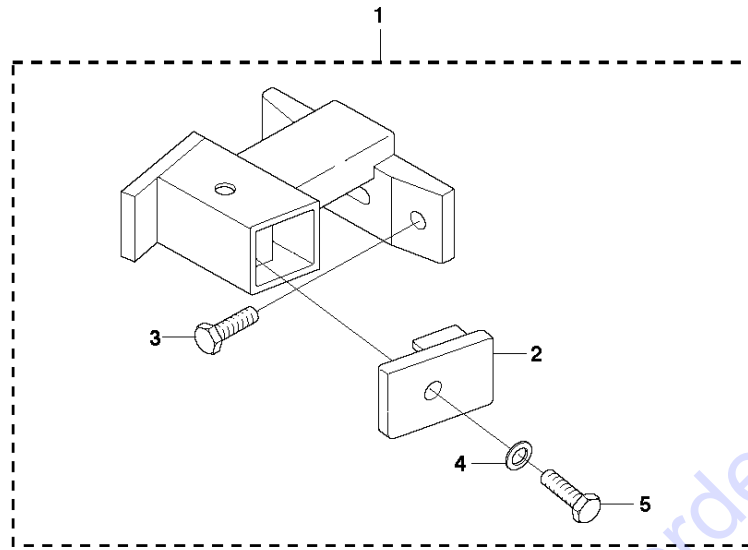
## TRACK SYSTEM

WS440 HF, WS460, WS462, WS463, WS482 HF

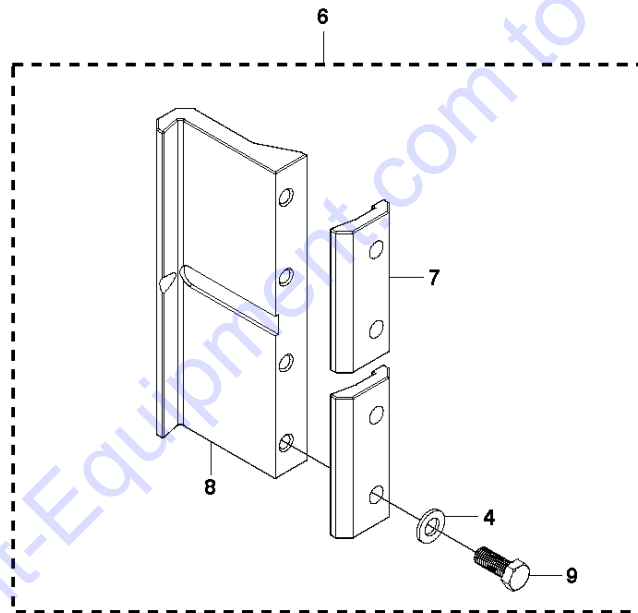
Ref	Part No	Description	Remark	QTY KIT	
1	591 14 90-01	TRACK	1,2 m	1	
1	591 14 90-02	TRACK	2,0 m	1	
1	591 14 90-03	TRACK	2,2 m	1	
2	531 11 92-03	SCREW		2	1
3	531 11 91-83	WASHER		2	1
4	531 12 20-70	PLATE		2	1
5	725 53 64-01	SCREW IHSCM		4	1
6	531 11 91-52	RUBBER PLUG	1,2 m	4	1
6	531 11 91-52	RUBBER PLUG	2,0 m	6	1
6	531 11 91-52	RUBBER PLUG	2,2 m	7	1

Go to [Discount-Equipment.com](https://Discount-Equipment.com) to order your parts

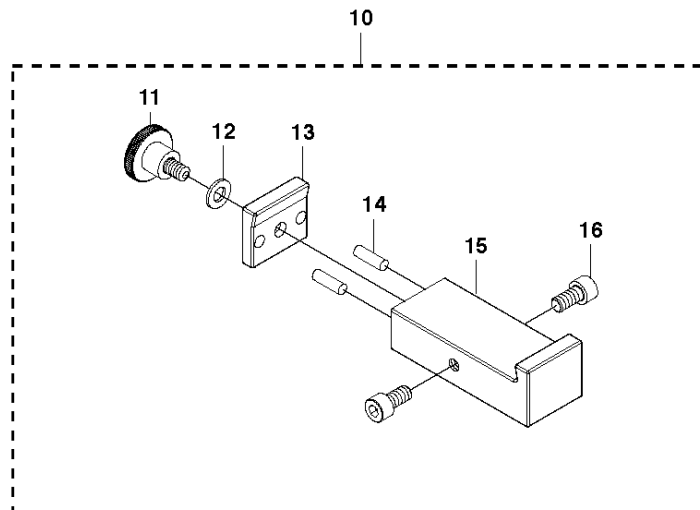
**D** Accessories WS 400  
Mounting bracket



Coupling link complete



Track holder complete



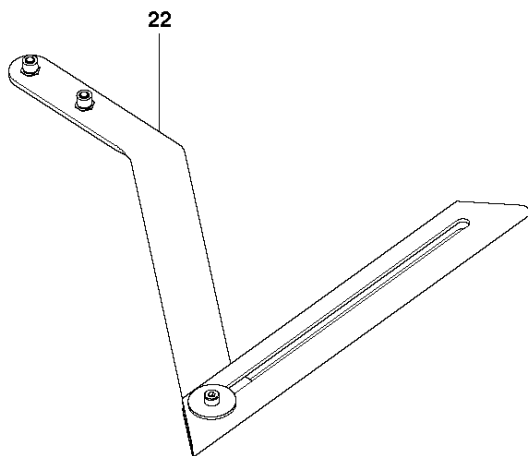
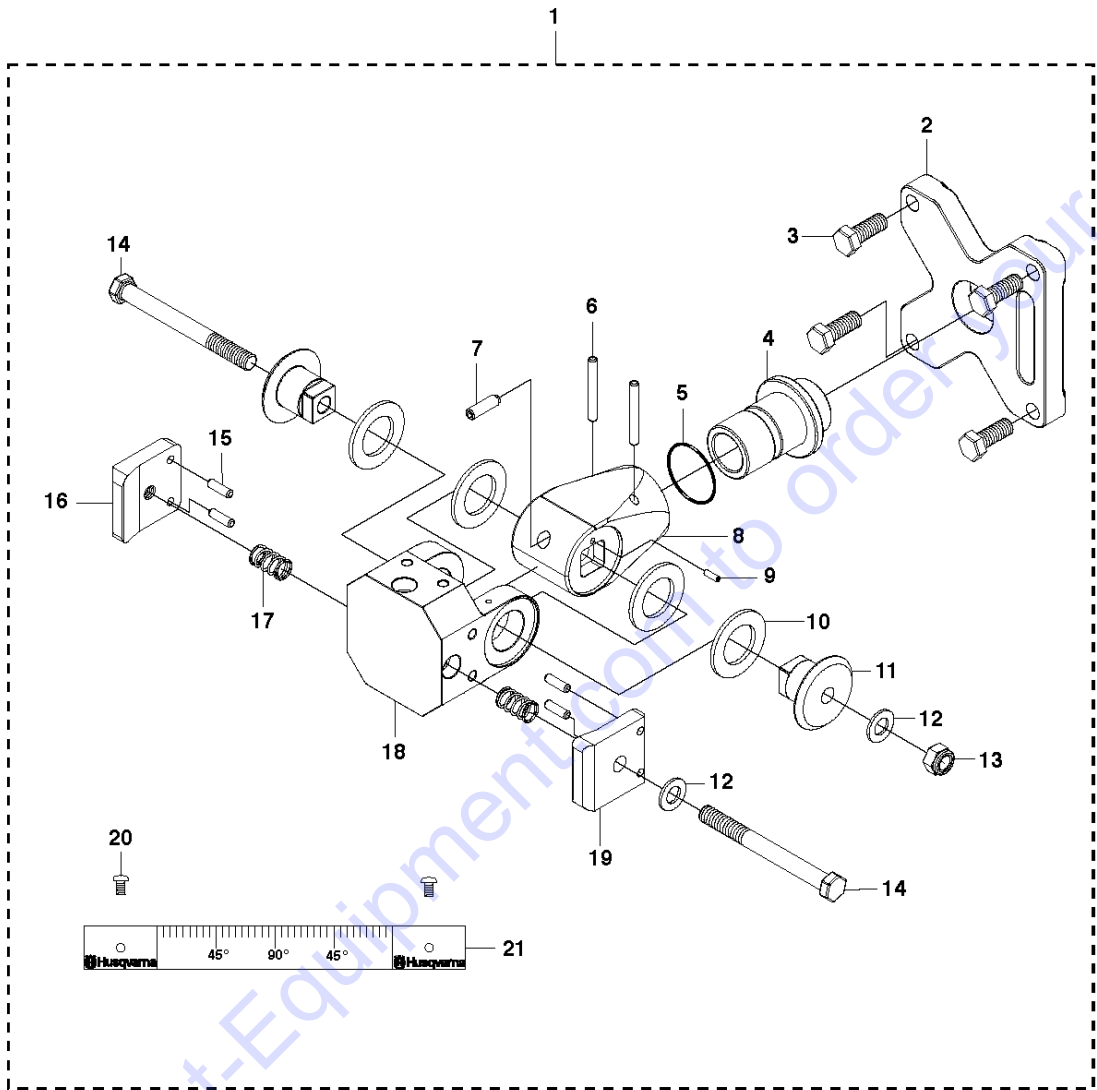
## ASSEMBLY

WS440 HF, WS460, WS462, WS463, WS482 HF

Ref	Part No	Description	Remark	QTY KIT
1	531 11 32-46	BRACKET		1
2	531 12 21-18	WASHER		1
3	531 11 92-02	SCREW		2
4	531 11 91-83	WASHER		5
5	725 25 43-51	SCREW EHHM		1
6	531 11 32-47	COUPLING		1
7	531 12 30-97	PLATE		2
8	531 12 30-96	COUPLING		1
9	531 11 92-03	SCREW		4
10	531 11 32-48	HOLDER ASSY		1
11	531 11 94-56	SCREW		1
12	734 11 63-01	WASHER		1
13	531 12 30-76	PLATE		1
14	720 13 52-51	PARALLEL PIN		2
15	531 12 30-75	BRACKET		1
16	531 11 92-35	SCREW		2

Go to [Discount-Equipment.com](http://Discount-Equipment.com) to order your parts

**E** Accessories WS 400  
Mounting bracket Universal  
compl. 531 11 32-00



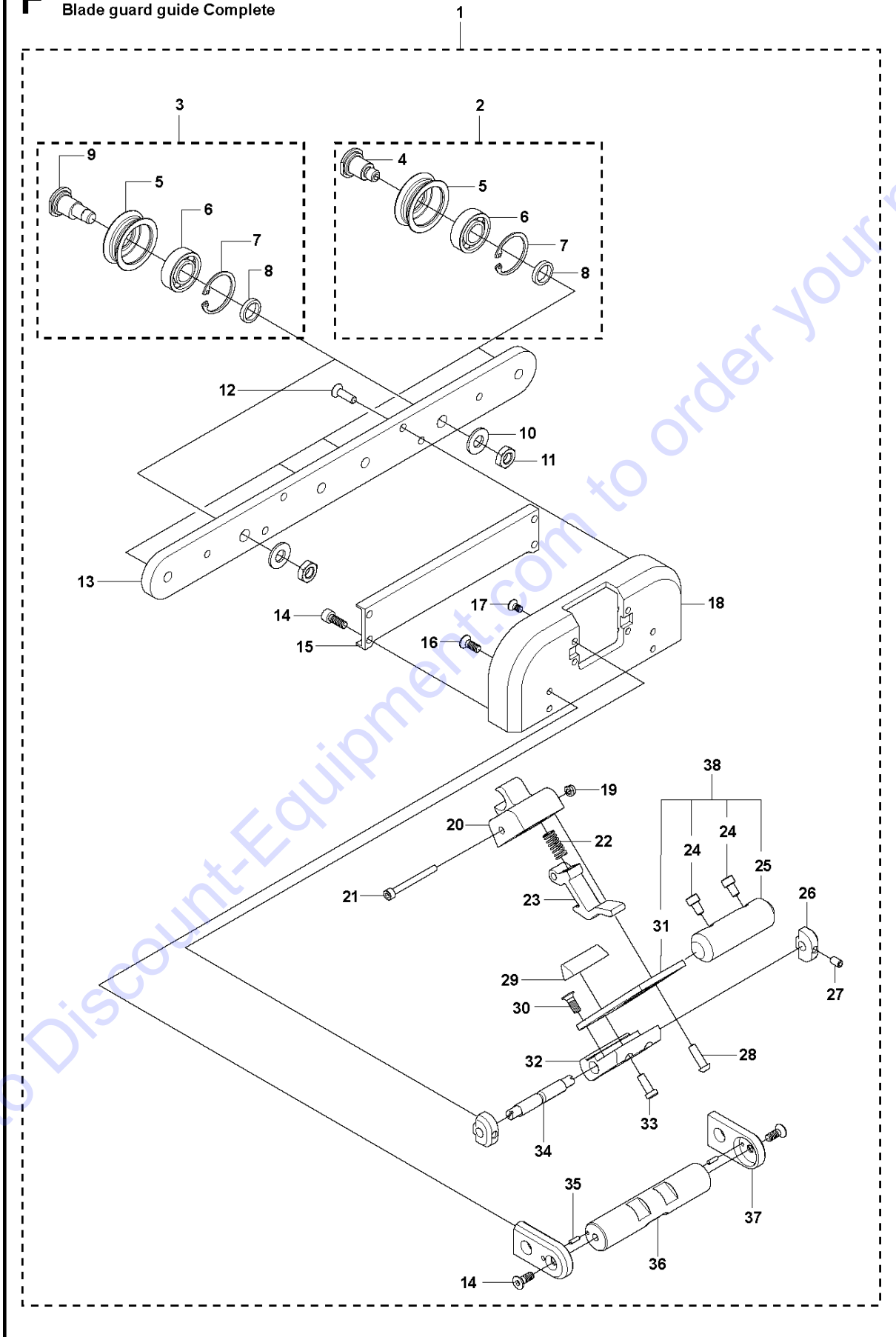
## ASSEMBLY

WS440 HF, WS460, WS462, WS463, WS482 HF

Ref	Part No	Description	Remark	QTY KIT
1	531 11 32-00	BRACKET		1
2	531 12 24-54	CONSOLE		1
3	531 11 92-03	SCREW		4
4	531 12 24-55	AXLE		1
5	531 11 94-20	O-RING		1
6	720 13 65-51	PARALLEL PIN		2
7	576 65 89-01	SCREW		1
8	531 12 24-56	MOUNT		1
9	728 83 27-05	SCREW IHSETM		1
10	531 12 23-57	CLUTCH		4
11	531 12 24-60	CLUTCH		2
12	531 11 91-83	WASHER		1
13	732 25 22-71	HEXAGON LOCKING NUT		1
14	725 25 56-51	SCREW EHHM		2
15	720 13 53-50	PARALLEL PIN		4
16	531 12 24-59	NUT		1
17	531 11 93-64	SPRING		2
18	531 12 24-57	BRACKET		1
19	531 12 24-58	WASHER		1
20	531 11 95-86	SCREW		4
21	504 10 02-01	SCALE		2
22	531 11 32-65	POINTER		1

Go to [Discount-Equipment.com](http://Discount-Equipment.com) to order your parts

**F** Accessories WS 400  
Blade guard guide Complete



Go to [Discount-Equipment.com](http://Discount-Equipment.com) to order your parts

## BLADE GUARD GUIDE

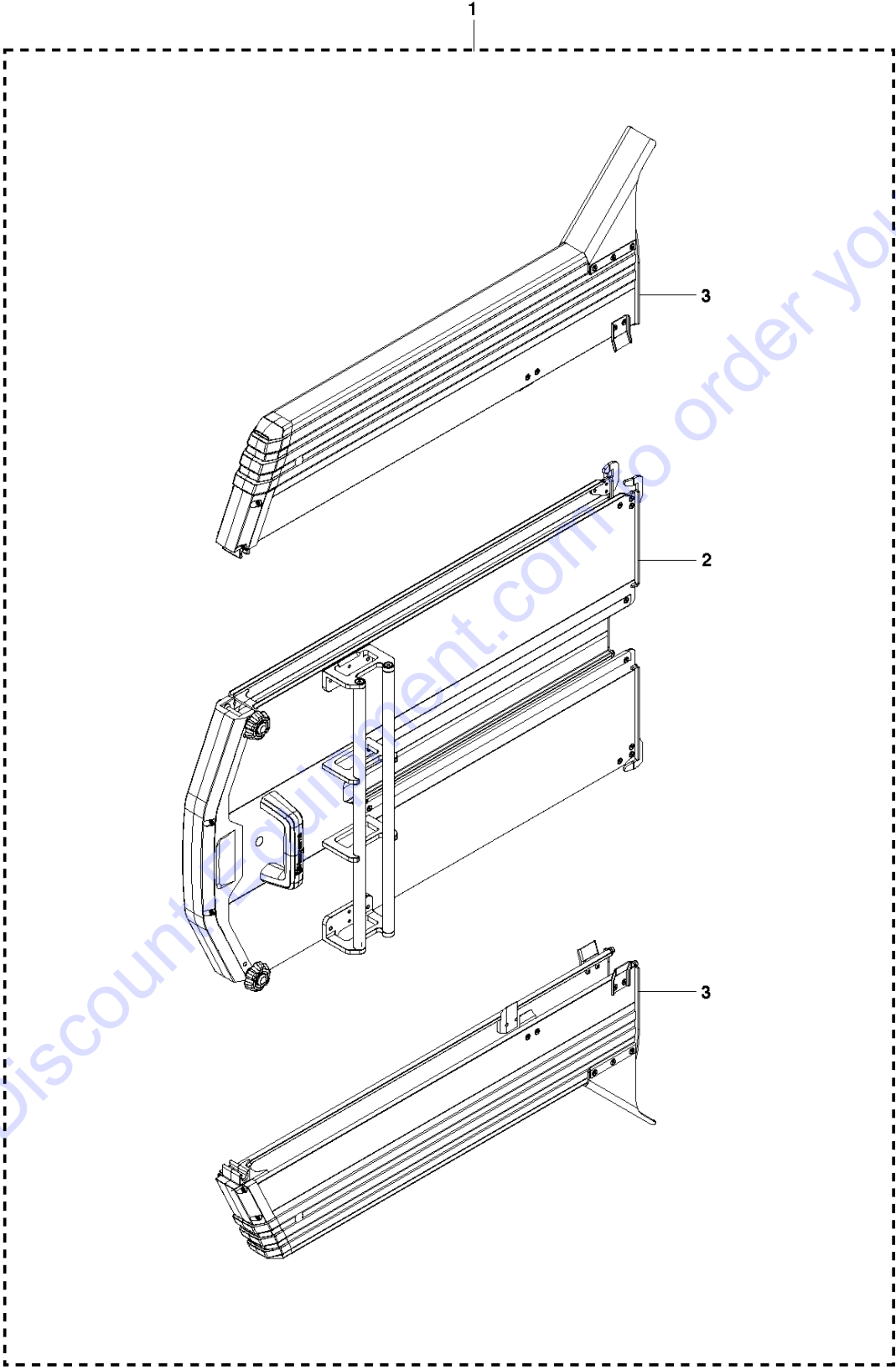
WS440 HF, WS460, WS462, WS463, WS482 HF

Ref	Part No	Description	Remark	QTY	KIT
1	580 67 77-01	BLADE GUARD		1	
2	580 67 76-01	WHEEL ASSY		4	
3	580 67 76-02	WHEEL ASSY		2	
4	531 12 23-58	WHEEL		4	
5	531 12 21-83	WHEEL		6	
6	580 43 29-01	BEARING		6	
7	735 31 33-10	CIRCLIP		6	
8	531 12 23-38	SPACER RING		6	
9	531 12 21-82	WHEEL		2	
10	531 11 91-81	WASHER		2	
11	731 43 20-01	HEXAGON THIN NUT		2	
12	725 63 70-51	SCREW IHCSFM		4	
13	531 12 30-65	GUIDE RAIL		1	
14	725 63 68-51	SCREW IHCSFM		4	
15	531 12 30-66	COVER		1	
16	725 63 30-51	SCREW IHCSFM		4	
17	725 63 27-51	SCREW IHCSFM		4	
18	505 11 29-01	HOLDER		1	
19	732 25 14-01	HEXAGON LOCKING NUT		1	
20	505 11 34-01	SNAP LOCKING		1	
21	725 53 41-01	SCREW IHSCM		1	
22	505 11 40-01	SPRING		1	
23	505 11 35-01	HOOK		1	
24	725 53 62-01	SCREW IHSCM		2	38
25	529 78 77-01	HANDLE GRIP		1	38
26	505 11 39-01	SHAFT SEAT		2	
27	505 18 66-01	SCREW		2	
28	531 11 95-89	SCREW		4	
29	505 11 33-01	BEAM		1	
30	725 53 68-01	SCREW IHSCM		2	
31	529 78 75-01	HANDLE BRACKET		1	38
32	505 11 30-01	ECCENTRIC		1	
33	505 18 65-01	SCREW		2	
34	531 12 30-71	SHAFT		1	
35	505 18 64-01	PARALLEL PIN		2	
36	505 11 38-01	HANDLE		1	
37	510 11 15-01	HANDLE HOLDER		2	
38	531 09 91-01	HANDLE		1	

Go to Discount-Equipment.com to order your parts



**G1** Accessories WS 400  
Blade guard 800 mm



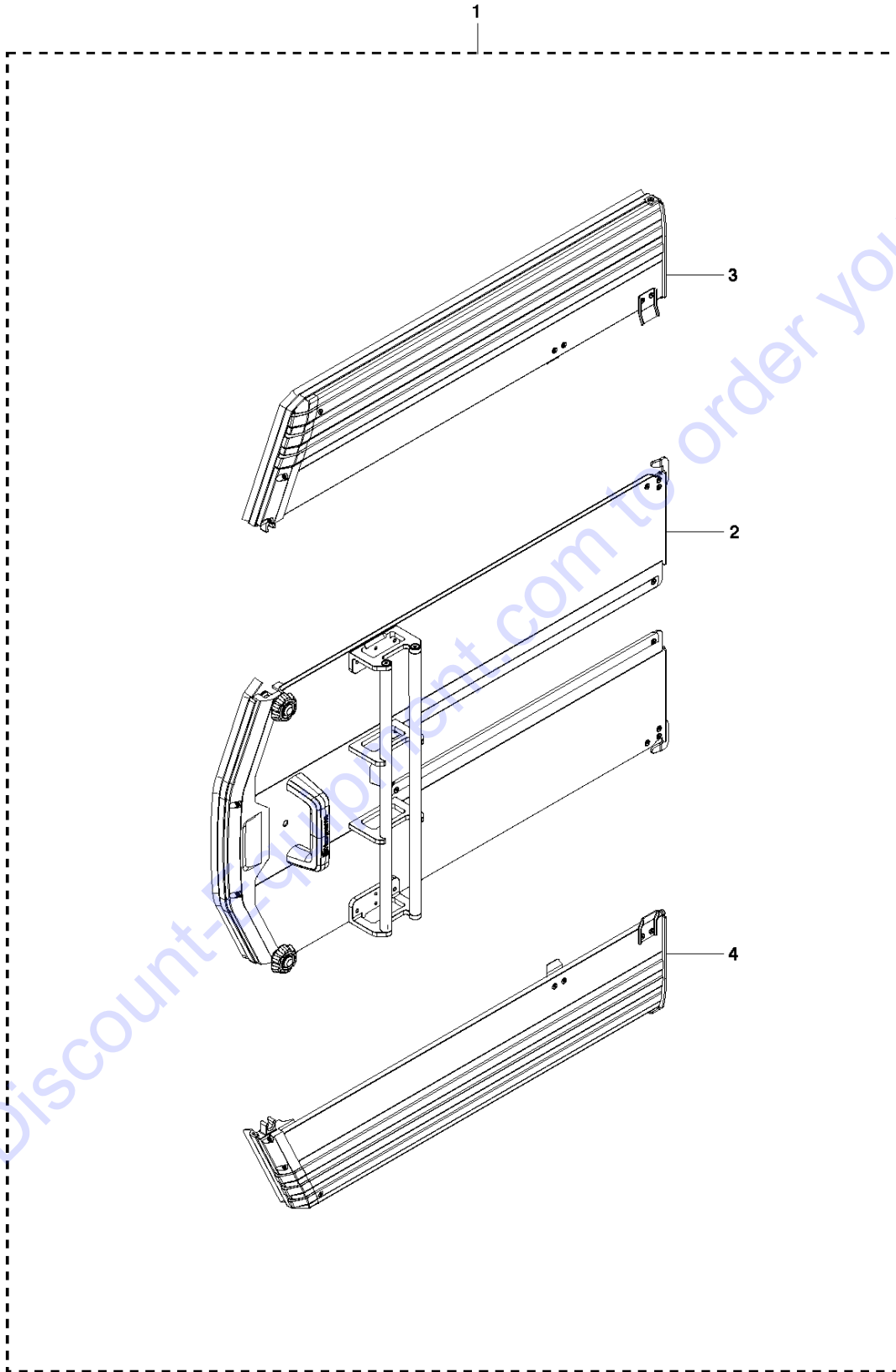
GUARDS 800mm

WS440 HF, WS460, WS462, WS463, WS482 HF

Ref	Part No	Description	Remark	QTY KIT
1	577 65 97-01	BLADE GUARD	800 mm	1
2	577 65 98-01	BLADE GUARD	800 mm	1
3	577 66 00-01	GABLE	800 mm	2

Go to [Discount-Equipment.com](http://Discount-Equipment.com) to order your parts

**G2** Accessories WS 400  
Blade guard FLUSH 800 mm



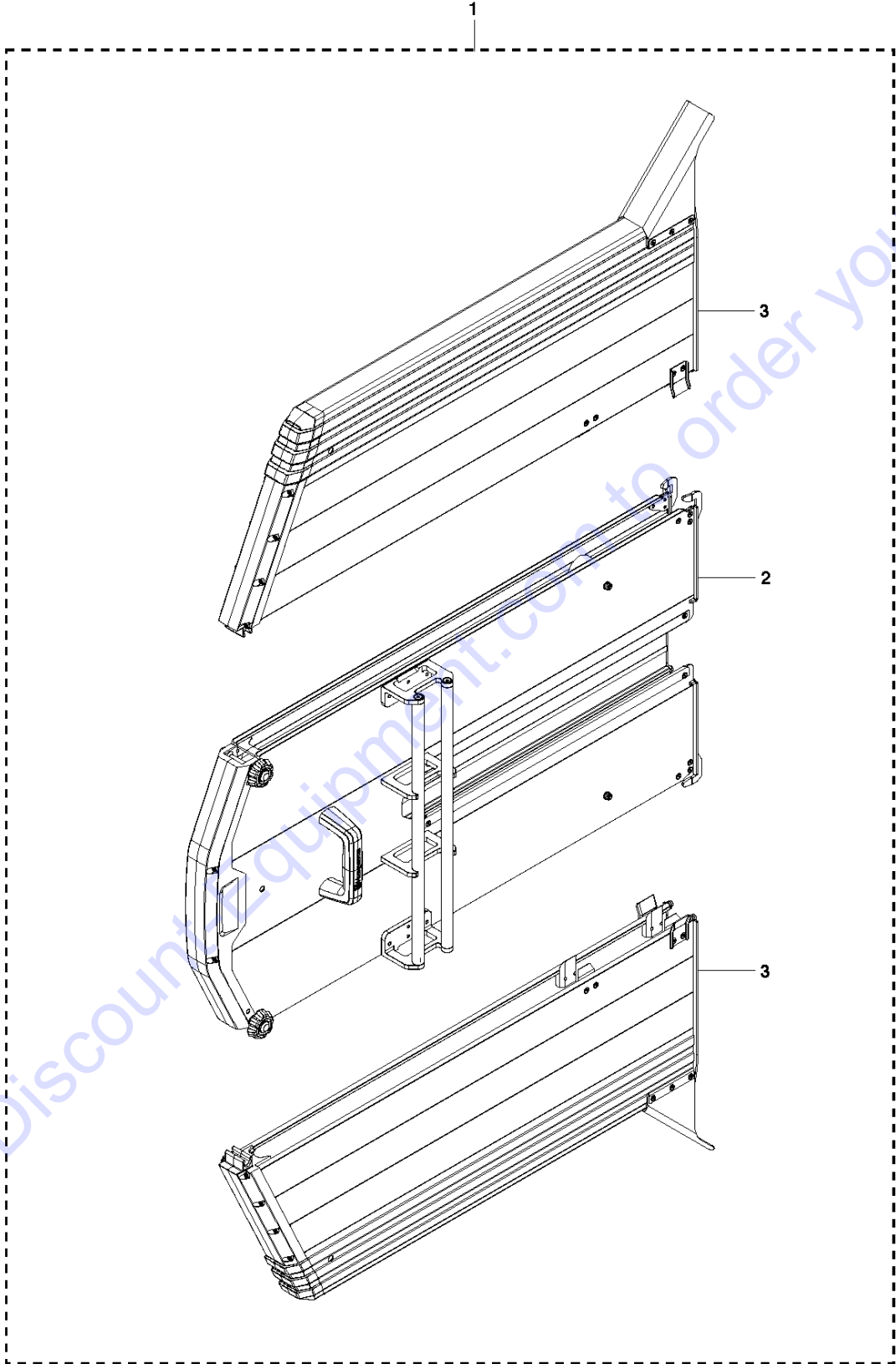
GUARDS 800mm

WS440 HF, WS460, WS462, WS463, WS482 HF

Ref	Part No	Description	Remark	QTY KIT
1	577 74 23-01	BLADE GUARD	800 mm	1
2	577 74 27-01	BLADE GUARD	800 mm	1
3	577 74 29-01	GABLE	RIGHT 800 mm	1
4	577 74 28-01	GABLE	LEFT 800 mm	1

Go to [Discount-Equipment.com](http://Discount-Equipment.com) to order your parts

**H1** Accessories WS 400  
Blade guard 1000 mm



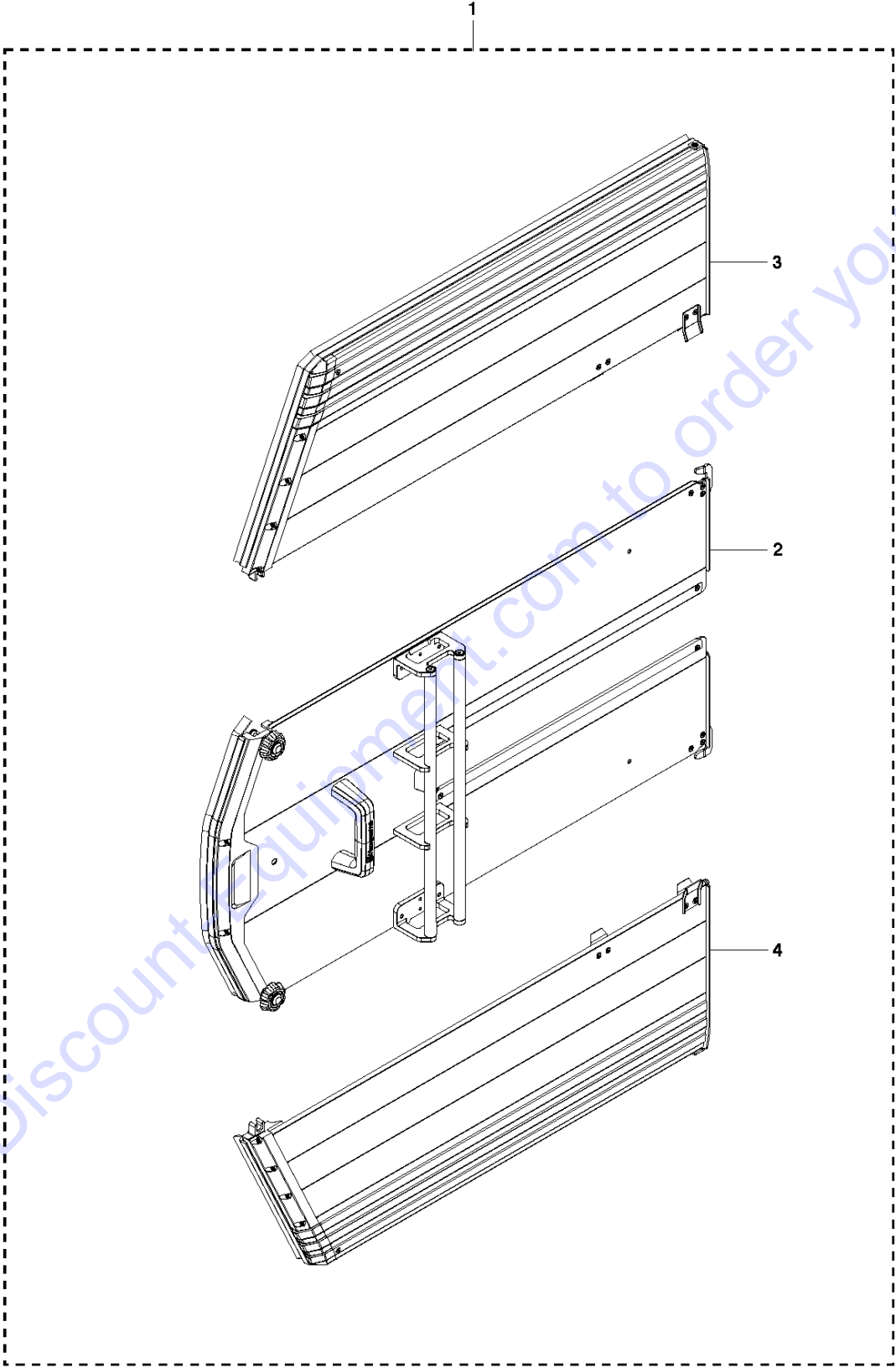
GUARDS 1000mm

WS440 HF, WS460, WS462, WS463, WS482 HF

Ref	Part No	Description	Remark	QTY KIT
1	577 66 01-01	BLADE GUARD	1000 mm	1
2	577 66 02-01	BLADE GUARD	1000 mm	1
3	577 66 03-01	GABLE	1000 mm	2

Go to [Discount-Equipment.com](http://Discount-Equipment.com) to order your parts

**H2** Accessories WS 400  
Blade guard FLUSH 1000 mm



## GUARDS 1000mm

WS440 HF, WS460, WS462, WS463, WS482 HF

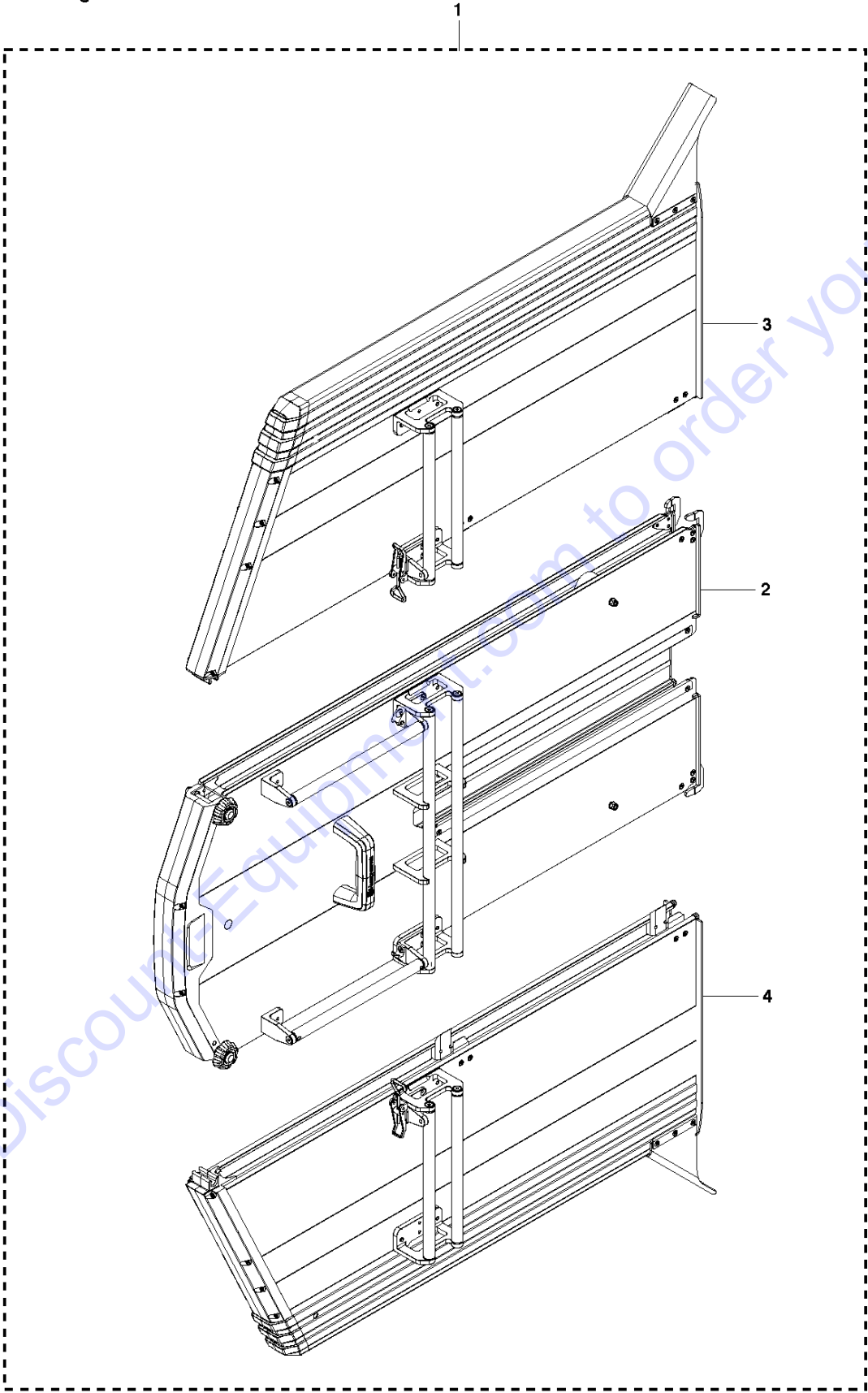
Ref	Part No	Description	Remark	QTY KIT
1	577 74 24-01	BLADE GUARD	1000 mm	1
2	577 90 30-01	BLADE GUARD	1000 mm	1
3	577 74 32-01	GABLE	RIGHT 1000 mm	1
4	577 74 30-01	GABLE	LEFT 1000 mm	1

Go to [Discount-Equipment.com](http://Discount-Equipment.com) to order your parts



**11**

Accessories WS 400  
Blade guard 1200 mm



## GUARDS 1200mm

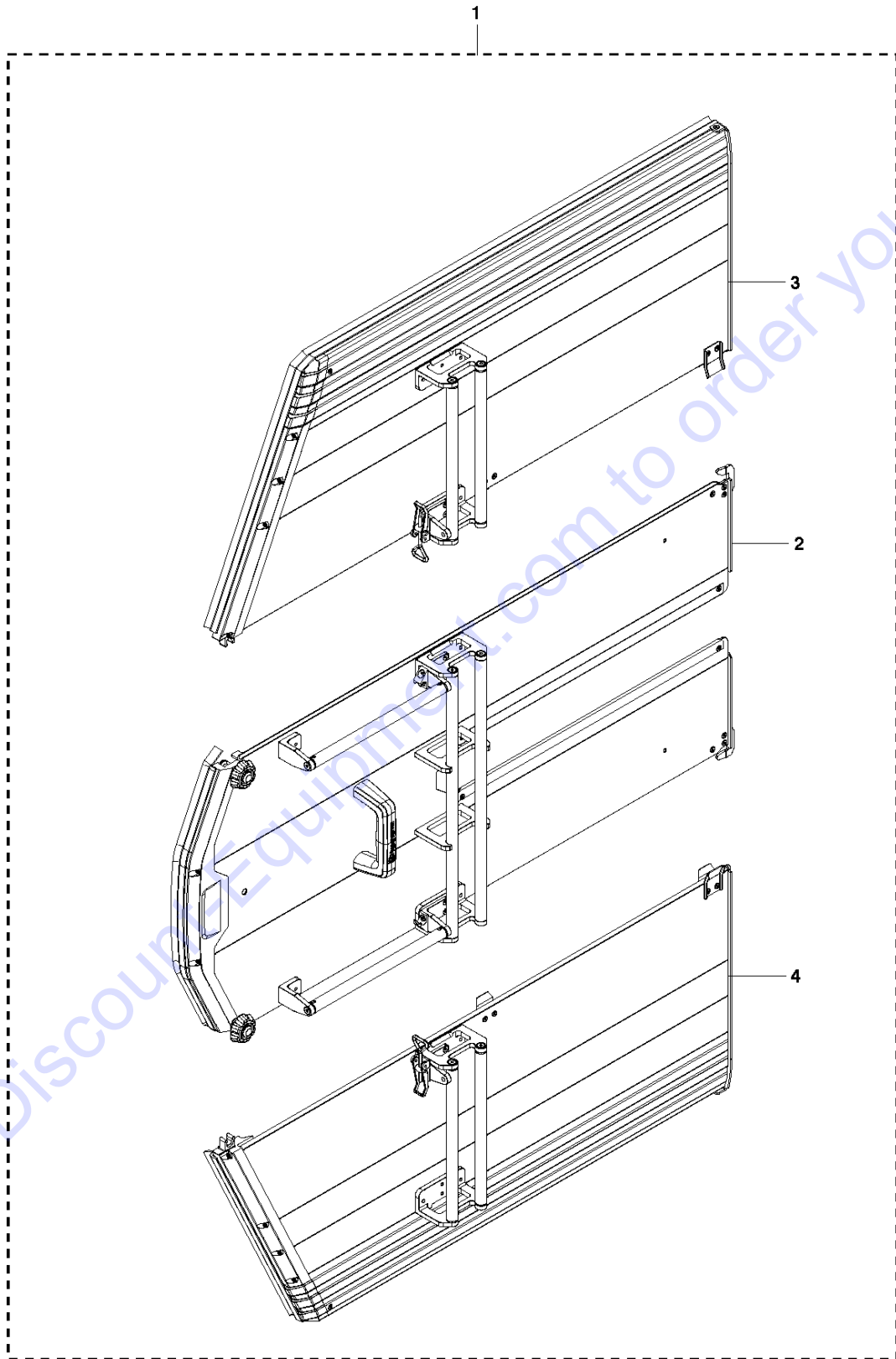
WS440 HF, WS460, WS462, WS463, WS482 HF

Ref	Part No	Description	Remark	QTY KIT
1	577 66 04-01	BLADE GUARD	1200 mm	1
2	577 66 05-01	BLADE GUARD	1200 mm	1
3	577 66 07-01	GABLE	RIGHT 1200 mm	1
4	577 66 09-01	GABLE	LEFT 1200 mm	1

Go to [Discount-Equipment.com](http://Discount-Equipment.com) to order your parts

# 12

Accessories WS 400  
Blade guard FLUSH 1200 mm



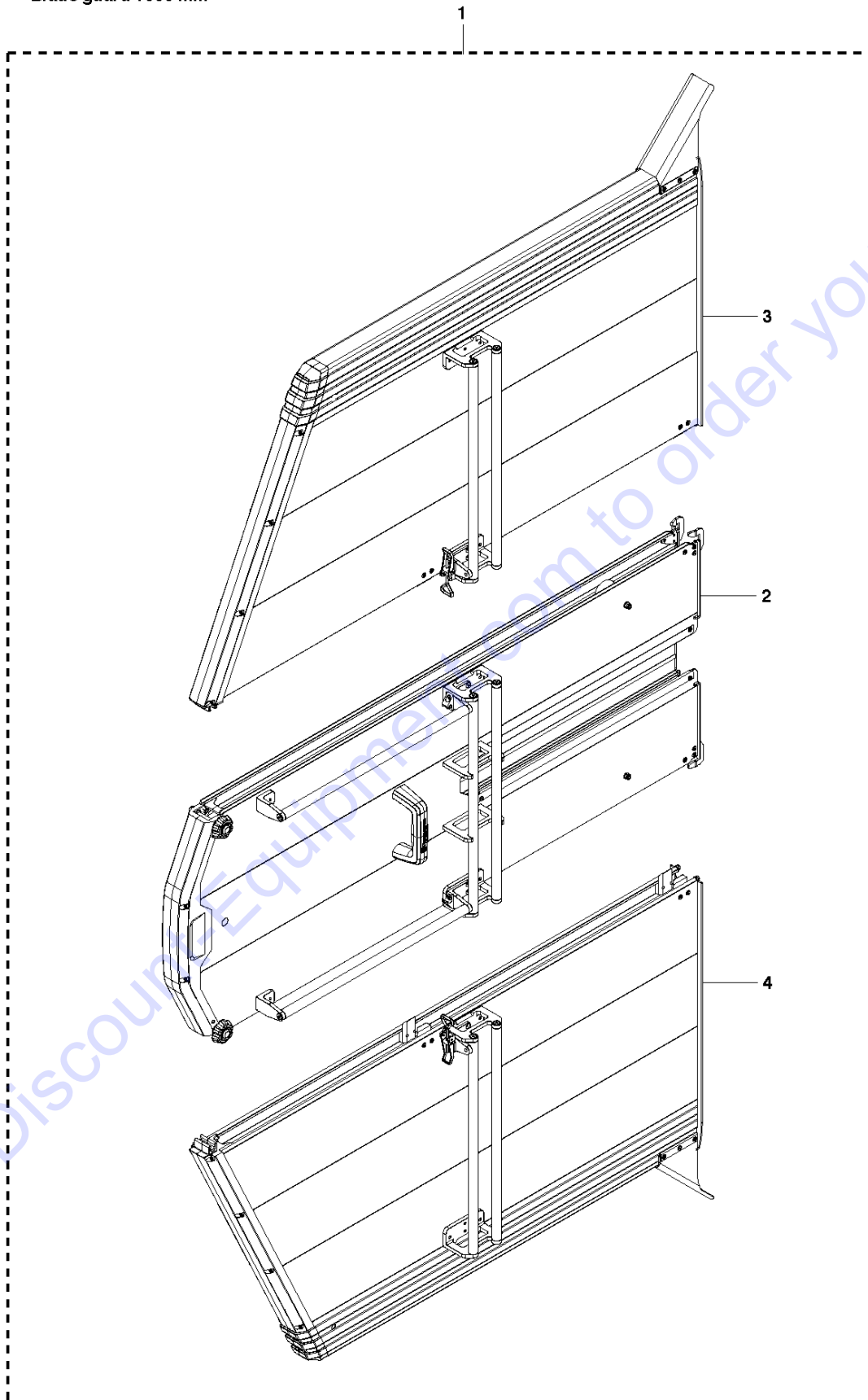
## GUARDS 1200mm

WS440 HF, WS460, WS462, WS463, WS482 HF

Ref	Part No	Description	Remark	QTY KIT
1	577 74 25-01	BLADE GUARD	1200 mm	1
2	577 74 33-01	BLADE GUARD	1200 mm	1
3	577 74 35-01	GABLE	RIGHT 1200 mm	1
4	577 74 34-01	GABLE	LEFT 1200 mm	1

Go to [Discount-Equipment.com](http://Discount-Equipment.com) to order your parts

**J1** Accessories WS 400  
Blade guard 1600 mm



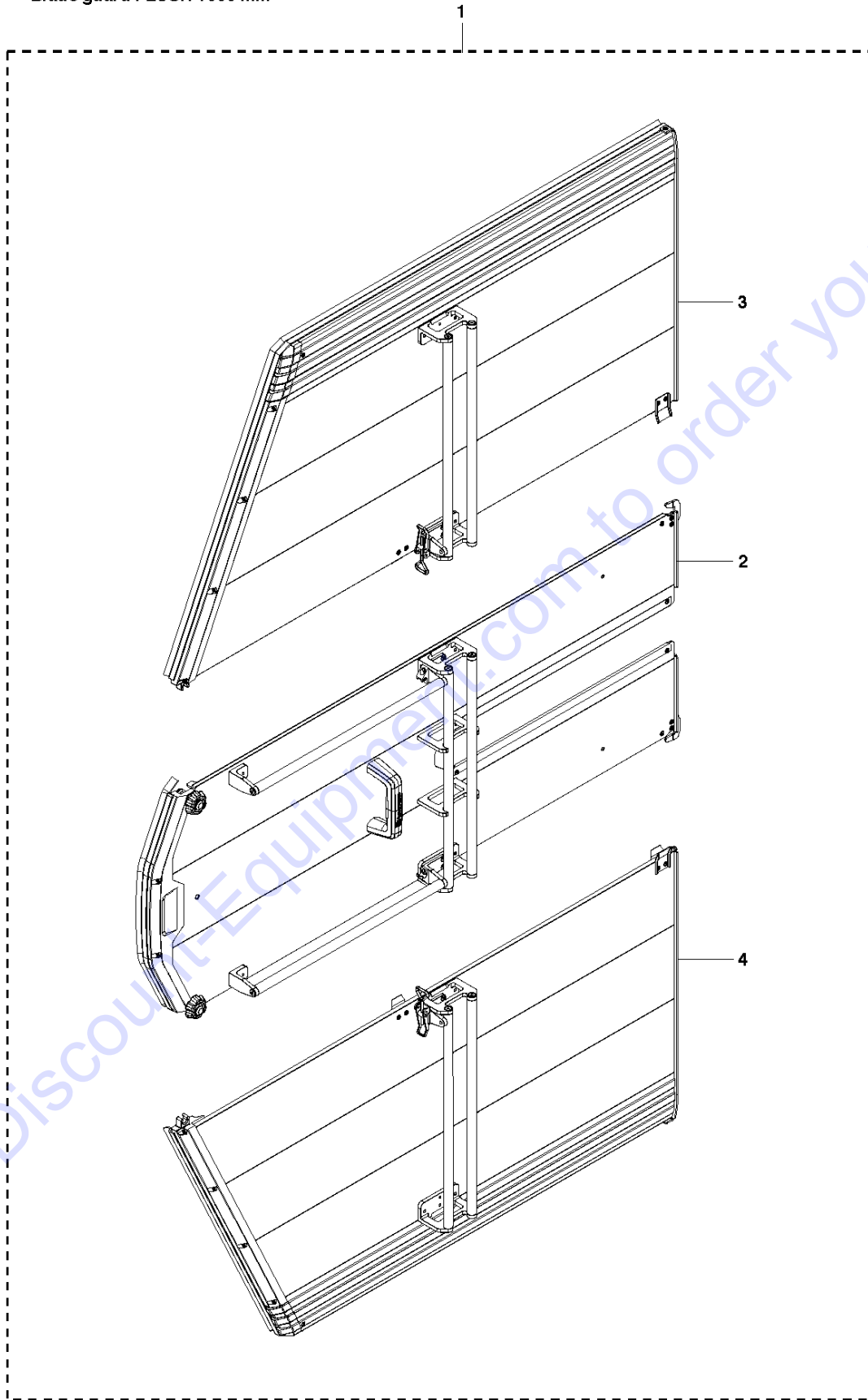
GUARDS 1600mm

WS440 HF, WS460, WS462, WS463, WS482 HF

Ref	Part No	Description	Remark	QTY KIT
1	577 66 10-01	BLADE GUARD	1600 mm	1
2	577 66 11-01	BLADE GUARD	1600 mm	1
3	577 66 12-01	GABLE	RIGHT 1600 mm	1
4	577 66 14-01	GABLE	LEFT 1600 mm	1

Go to [Discount-Equipment.com](http://Discount-Equipment.com) to order your parts

**J2** Accessories WS 400  
Blade guard FLUSH 1600 mm



Go to [DiscountEquipment.com](http://DiscountEquipment.com) to order your parts

GUARDS 1600mm

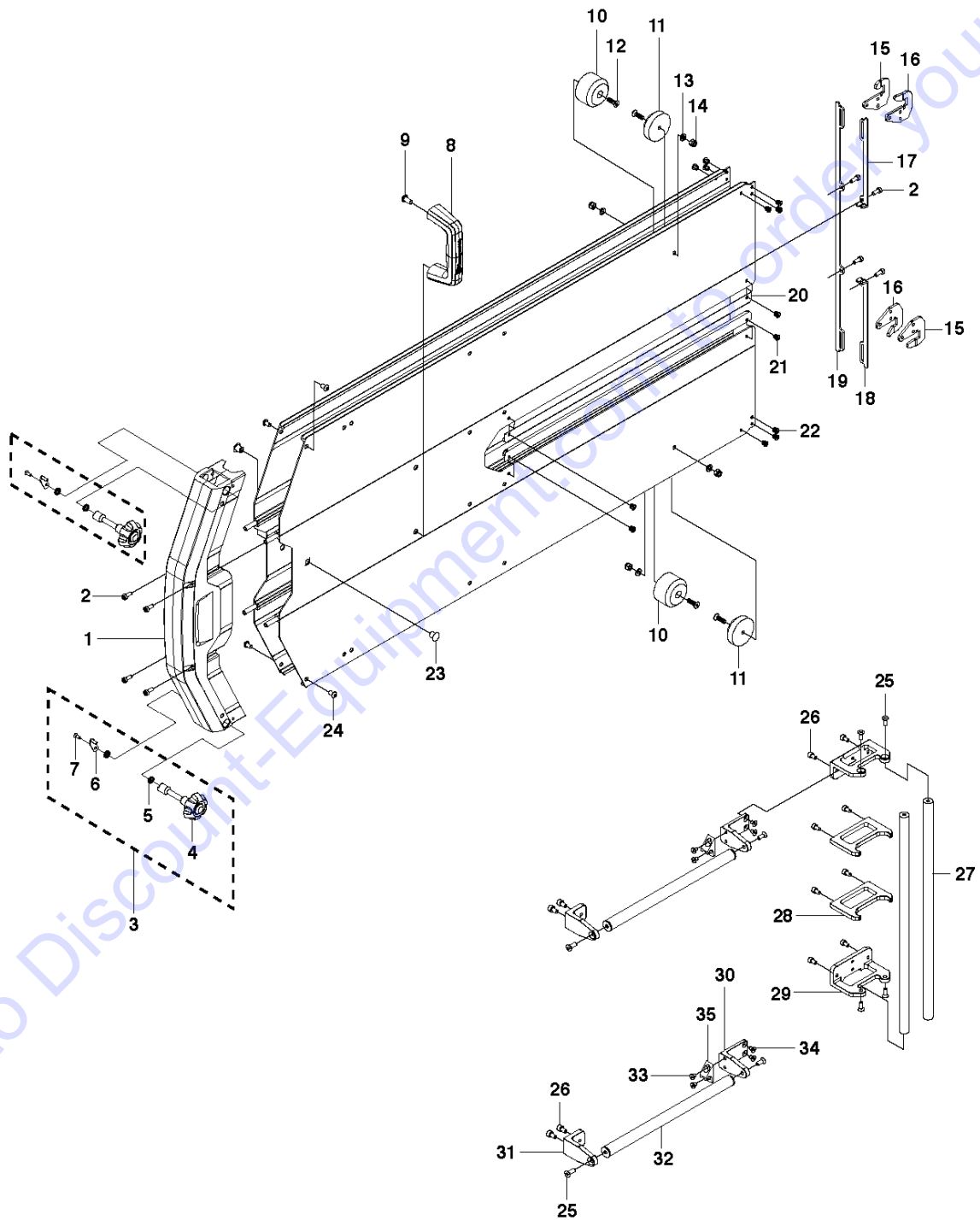
WS440 HF, WS460, WS462, WS463, WS482 HF

Ref	Part No	Description	Remark	QTY KIT
1	577 74 26-01	BLADE GUARD	1600 mm	1
2	577 90 31-01	BLADE GUARD	1600 mm	1
3	577 74 37-01	GABLE	RIGHT 1600 mm	1
4	577 74 36-01	GABLE	LEFT 1600 mm	1

Go to [Discount-Equipment.com](http://Discount-Equipment.com) to order your parts



**K** Accessories WS 400  
Blade guard Centre section



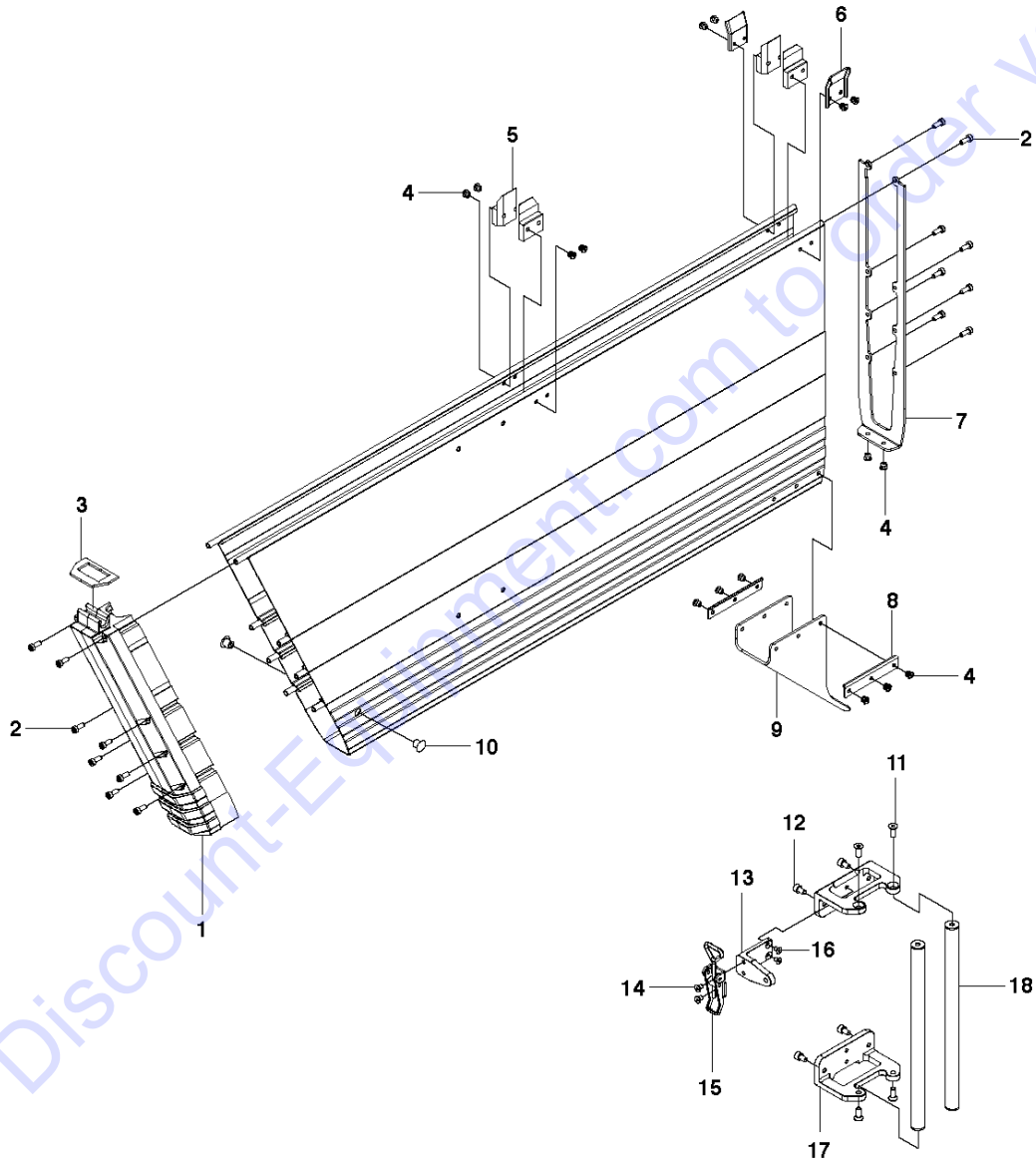
## BLADE GUARD CENTRE

WS440 HF, WS460, WS462, WS463, WS482 HF

Ref	Part No	Description	Remark	QTY KIT
1	577 44 62-02	FITTING		
2	504 90 94-14	SCREW ITXSCT		
3	586 96 16-01	KNOB		
4	587 09 01-01	KNOB		
5	580 96 45-01	V-RING		
6	580 26 22-01	HOOK		
7	580 32 73-01	SCREW		
8	541 40 49-09	HANDLE		
9	579 56 61-01	SCREW		
10	531 12 21-68	GUIDE		
11	531 12 21-69	GUIDE		
12	725 63 70-51	SCREW IHCSFM		
13	734 11 52-01	WASHER		
14	732 25 16-01	HEXAGON LOCKING NUT		
15	577 48 49-01	HITCH		
16	577 48 48-01	HITCH		
17	577 61 31-01	LINK		
18	577 61 30-01	LINK		
19	577 61 29-01	LINK		
20	577 71 08-01	GUIDE BAR		
21	581 28 51-01	RIVET		
22	578 98 77-01	RIVET		
23	580 96 46-01	RUBBER PLUG		
24	579 56 60-01	SCREW		
25	579 56 58-01	SCREW		
26	579 56 59-01	SCREW		
27	531 12 30-63	RAIL		
28	577 69 93-01	FIXTURE		
29	577 69 92-01	FIXTURE		
30	580 68 76-01	ANGLE BRACKET		
31	580 68 76-02	ANGLE BRACKET		
32	577 44 55-01	GUIDE RAIL		
32	531 12 30-63	RAIL		
33	586 87 05-01	SCREW IHCSFM		
34	725 63 28-51	SCREW IHCSFM		
35	579 52 07-01	HOOK		

Go to Discount-Equipment.com to order your parts

**L** Accessories WS 400  
Blade guard Gable section



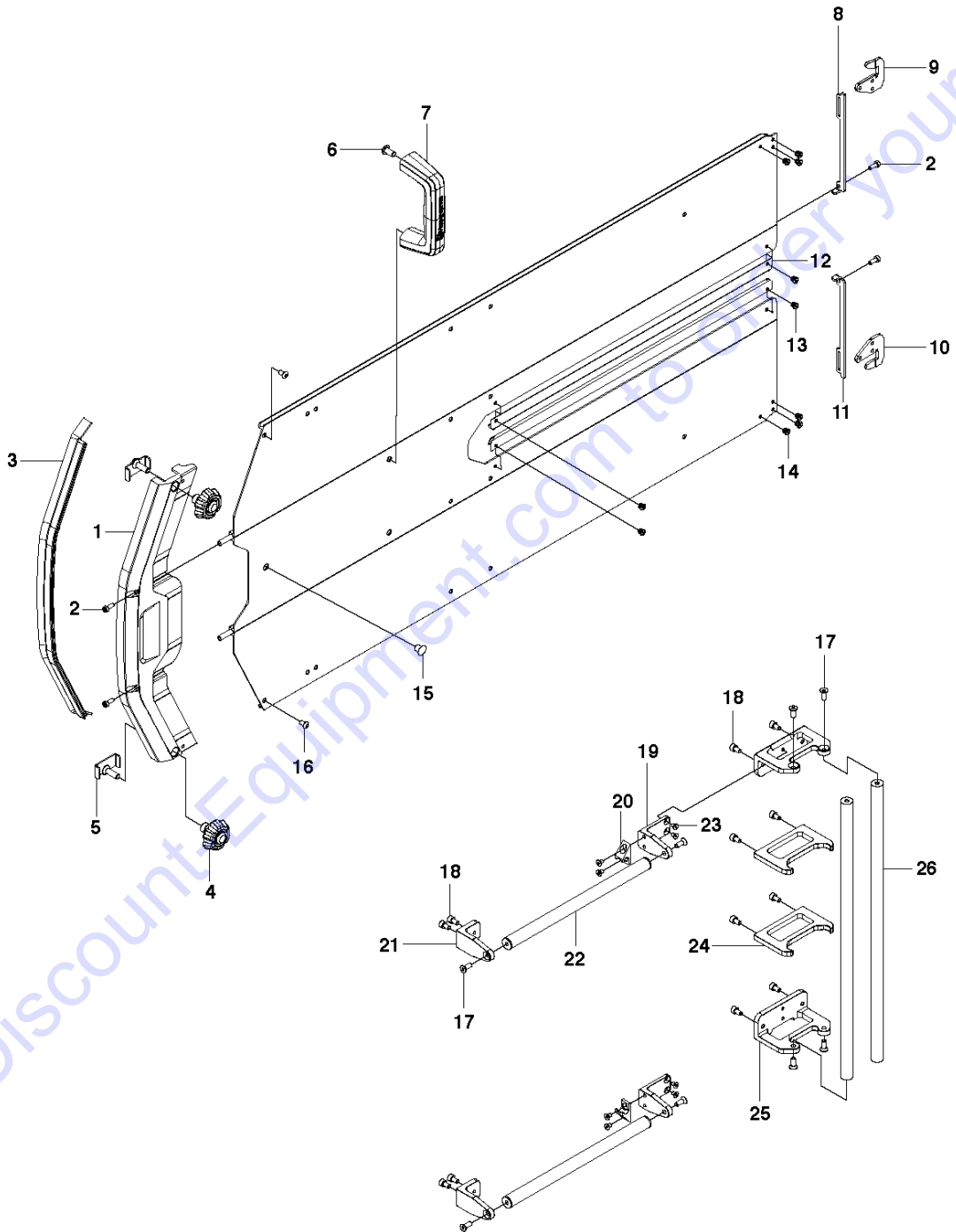
## BLADE GUARD GABLE

WS440 HF, WS460, WS462, WS463, WS482 HF

Ref	Part No	Description	Remark	QTY KIT
1	577 44 63-07	GABLE	800 mm	1
1	577 44 64-05	GABLE	1000 mm	1
1	577 44 65-05	GABLE	1200 mm	1
1	577 44 67-05	GABLE	1600 mm	1
2	504 90 94-14	SCREW ITXSCT	(8 pcs on 800 mm)	16
3	580 95 79-01	GASKET		1
4	578 98 77-01	RIVET		16
5	579 43 67-01	GUIDE PLATE		4
6	580 32 33-01	GUIDE		2
7	577 61 36-02	CAP	800 mm	1
7	577 61 37-02	COVER	1000 mm	1
7	577 61 38-02	COVER	1200 mm	1
7	577 61 39-02	COVER	1600 mm	1
8	577 48 56-01	WASHER		2
9	577 61 40-01	SPRAY GUARD		1
10	580 96 46-01	RUBBER PLUG		2
11	579 56 58-01	SCREW		4
12	579 56 59-01	SCREW		4
13	580 68 76-01	ANGLE BRACKET		1
14	586 87 05-01	SCREW IHCSFM		2
15	531 11 90-80	SNAP LOCKING		1
16	725 63 28-51	SCREW IHCSFM		2
17	577 69 92-01	FIXTURE		2
18	577 44 55-01	GUIDE RAIL	1200 mm	2
18	531 12 30-63	RAIL	1600 mm	2

Go to Discount-Equipment.com to order your parts

**M** Accessories WS 400  
Blade guard FLUSH Centre section



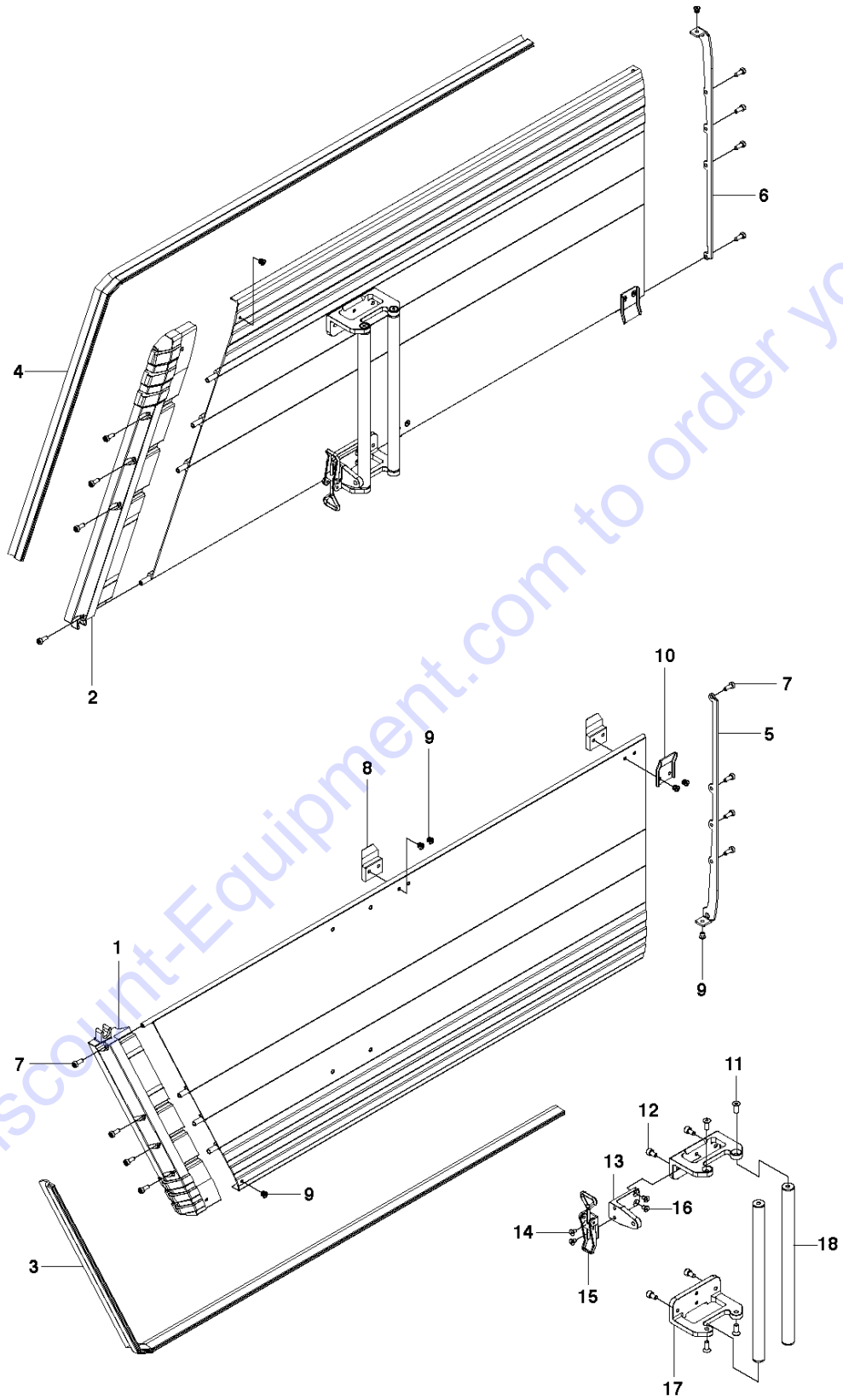
## BLADE GUARD FLUSH CENTRE

WS440 HF, WS460, WS462, WS463, WS482 HF

Ref	Part No	Description	Remark	QTY KIT
1	577 44 62-03	FITTING	800-1600 mm	1
2	504 90 94-14	SCREW ITXSCT		4
3	577 74 50-01	STRIP		1
4	580 68 18-01	KNOB		2
5	585 52 75-01	HOLDER		2
6	579 56 61-01	SCREW		2
7	541 40 49-09	HANDLE		1
8	577 61 31-01	LINK		1
9	577 48 48-01	HITCH		1
10	577 48 49-01	HITCH		1
11	577 61 30-01	LINK		1
12	577 71 08-01	GUIDE BAR		2
13	581 28 51-01	RIVET		4
14	578 98 77-01	RIVET		6
15	580 96 46-01	RUBBER PLUG		1
16	579 56 60-01	SCREW		2
17	579 56 58-01	SCREW		8
18	579 56 59-01	SCREW		10
19	580 68 76-01	ANGLE BRACKET		2
20	579 52 07-01	HOOK		2
21	580 68 76-02	ANGLE BRACKET		2
22	577 44 55-01	GUIDE RAIL	1200 mm	2
22	531 12 30-63	RAIL	1600 mm	2
23	725 63 28-51	SCREW IHCSFM		4
24	577 69 93-01	FIXTURE		2
25	577 69 92-01	FIXTURE		2
26	531 12 30-63	RAIL		2

Go to Discount-Equipment.com to order your parts

**N** Accessories WS 400  
Blade guard FLUSH Gable section



## BLADE GUARD FLUSH GABLE

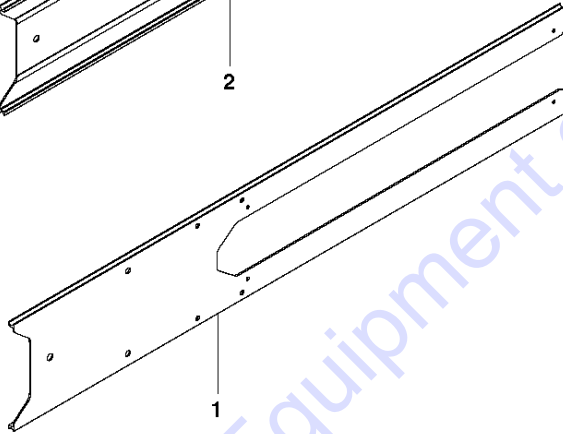
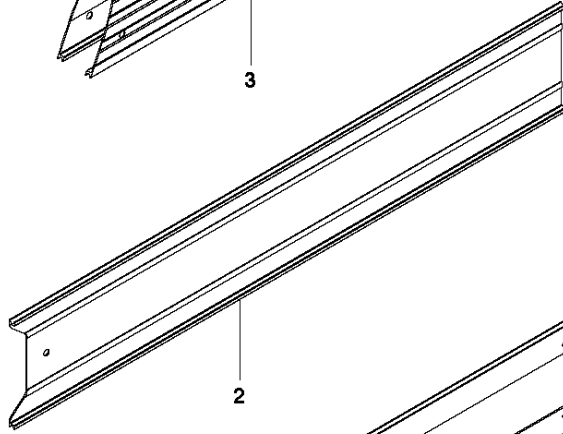
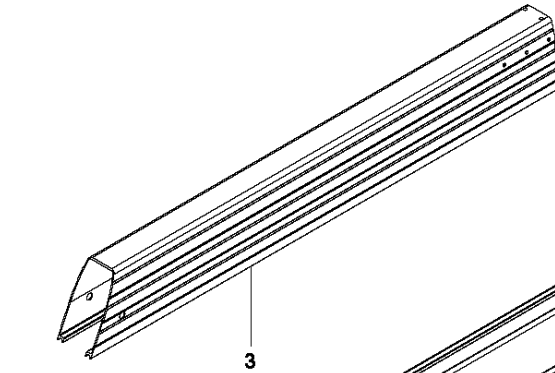
WS440 HF, WS460, WS462, WS463, WS482 HF

Ref	Part No	Description	Remark	QTY KIT
1	577 44 63-03	GABLE	LEFT 800 mm	1
1	577 44 64-03	GABLE	LEFT 1000 mm	1
1	577 44 65-03	GABLE	LEFT 1200 mm	1
1	577 44 67-03	GABLE	LEFT 1600 mm	1
2	577 44 63-04	GABLE	RIGHT 800 mm	1
2	577 44 64-04	GABLE	RIGHT 1000 mm	1
2	577 44 65-04	GABLE	RIGHT 1200 mm	1
2	577 44 67-04	GABLE	RIGHT 1600 mm	1
3	577 74 51-03	COVER	LEFT 800 mm	1
3	577 74 51-04	COVER	LEFT 1000 mm	1
3	577 74 51-05	COVER	LEFT 1200 mm	1
3	577 74 51-06	COVER	LEFT 1600 mm	1
4	577 74 52-03	COVER	RIGHT 800 mm	1
4	577 74 52-04	COVER	RIGHT 1000 mm	1
4	577 74 52-05	COVER	RIGHT 1200 mm	1
4	577 74 52-06	COVER	RIGHT 1600 mm	1
5	577 74 40-01	COVER	LEFT 800 mm	1
5	577 74 42-01	COVER	LEFT 1000 mm	1
5	577 74 44-01	COVER	LEFT 1200 mm	1
5	577 74 46-01	COVER	LEFT 1600 mm	1
6	577 74 41-01	COVER	RIGHT 800 mm	1
6	577 74 43-01	COVER	RIGHT 1000 mm	1
6	577 74 45-01	COVER	RIGHT 1200 mm	1
6	577 74 47-01	COVER	RIGHT 1600 mm	1
7	504 90 94-14	SCREW ITXSCT	(4 pcs on 800 mm)	8
8	579 43 67-01	GUIDE PLATE		2
9	578 98 77-01	RIVET		6
10	580 32 33-01	GUIDE		1
11	579 56 58-01	SCREW		4
12	579 56 59-01	SCREW		4
13	580 68 76-01	ANGLE BRACKET		1
14	586 87 05-01	SCREW IHCSFM		2
15	531 11 90-80	SNAP LOCKING		1
16	725 63 28-51	SCREW IHCSFM		2
17	577 69 92-01	FIXTURE		2
18	577 44 55-01	GUIDE RAIL	1200 mm	2
18	531 12 30-63	RAIL	1600 mm	2

Go to Discount-Equipment.com to order your parts



**O** Accessories WS 400  
Blade guard parts



4



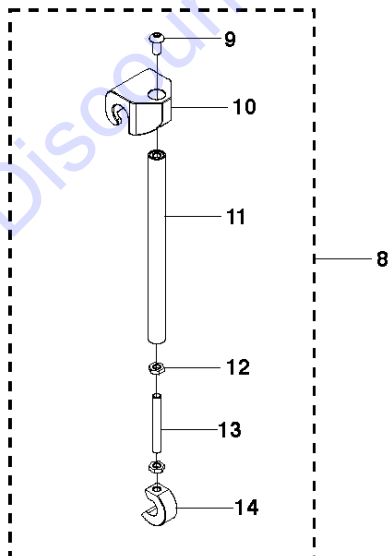
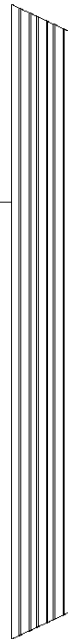
5



6



7



Go to Discount-Equipment.com to order your parts

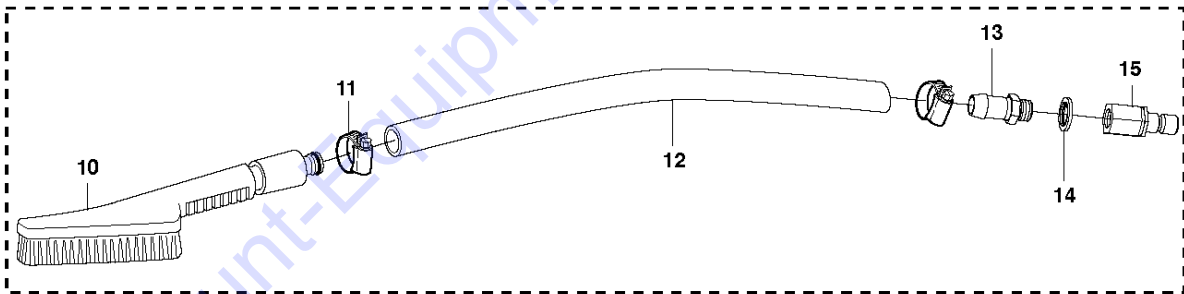
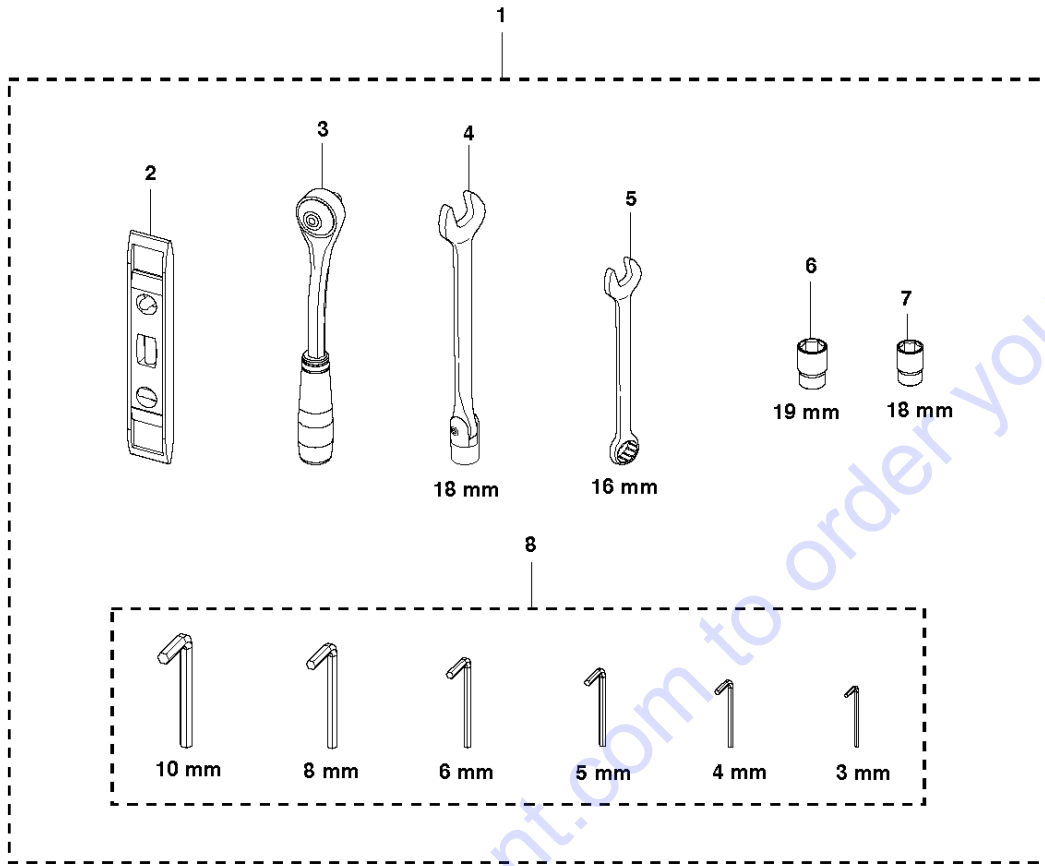
## BLADE GUARD PARTS

WS440 HF, WS460, WS462, WS463, WS482 HF

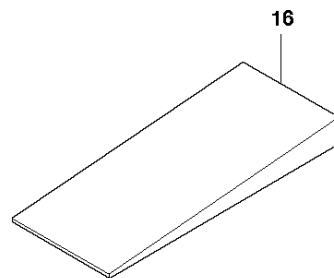
Ref	Part No	Description	Remark	QTY KIT
1	576 14 15-08	BAFFLE PLATE	INNER 800 mm	1
1	576 14 15-12	BAFFLE PLATE	INNER 1000 mm	1
1	576 14 15-16	BAFFLE PLATE	INNER 1200 mm	1
1	576 14 15-30	BAFFLE PLATE	INNER 1600 mm	1
2	576 14 15-31	BAFFLE PLATE	OUTER UNIVERSAL	1
3	581 11 35-02	PROFILE	800 mm	1
3	581 11 35-03	PROFILE	1000 mm	1
3	581 11 35-04	PROFILE	1200 mm	1
3	581 11 35-05	PROFILE	1600 mm	1
4	576 25 00-26	FRAME	UNIVERSAL (1334 mm)	1
5	587 04 70-01	PROFILE	UNIVERSAL	1
6	587 04 73-01	PROFILE	UNIVERSAL	1
7	587 04 72-01	PROFILE	UNIVERSAL	1
8	581 00 61-01	STRUT		1
9	531 11 95-24	SCREW		1
10	580 97 65-01	HOOK		1
11	580 90 22-01	ARBOR SHAFT		1
12	731 43 20-01	HEXAGON THIN NUT		2
13	531 11 95-46	PIN		1
14	531 12 31-69	CLAMP		1

Go to [Discount-Equipment.com](http://Discount-Equipment.com) to order your parts

**P** Accessories WS 400  
Tools



9



## TOOLS

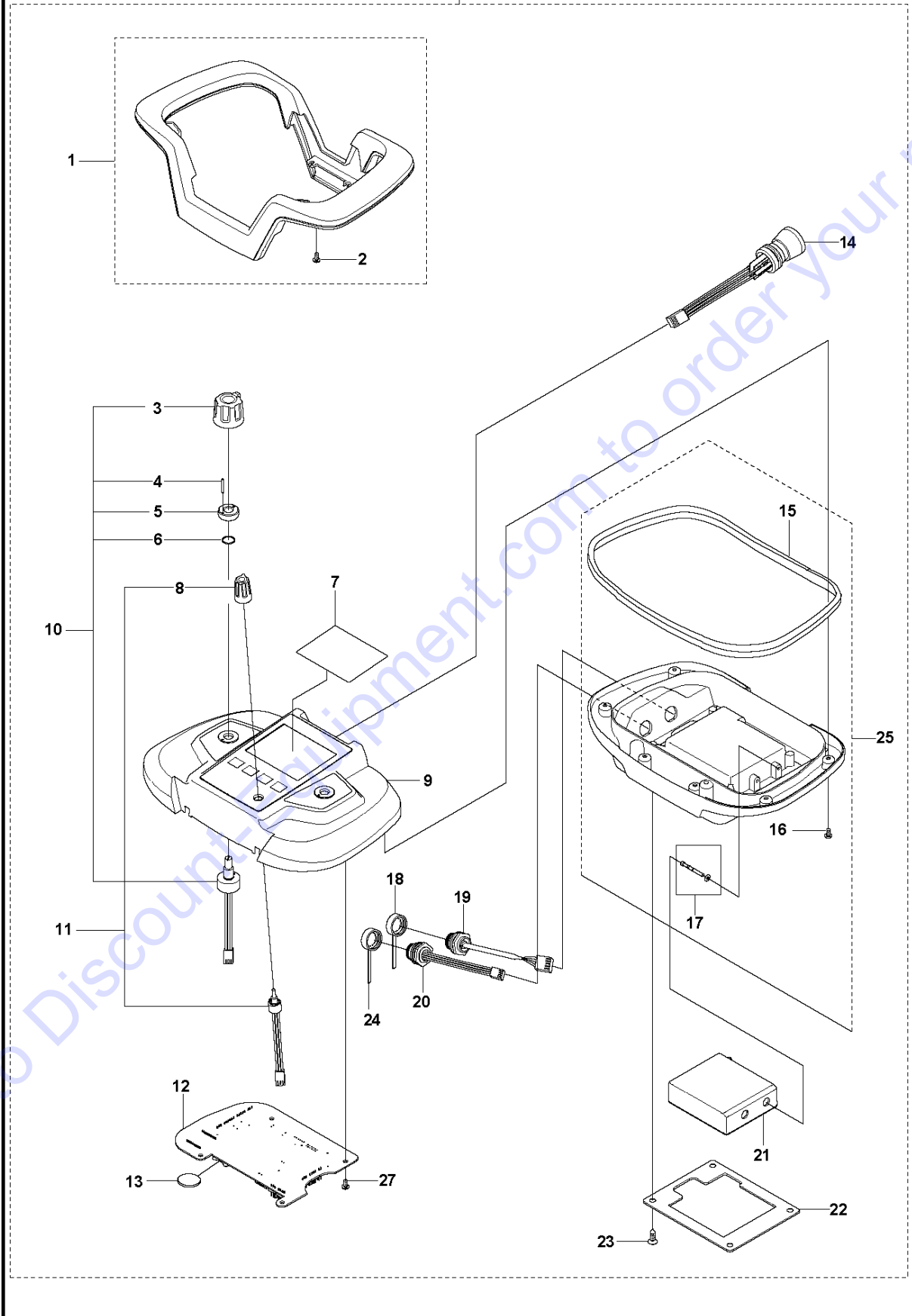
WS440 HF, WS460, WS462, WS463, WS482 HF

Ref	Part No	Description	Remark	QTY KIT
1	501 37 52-01	TOOL KIT		1
2	531 11 95-31	TOOL		1
3	531 11 95-32	TOOL		1
4	531 11 90-65	WRENCH		1
5	531 11 95-33	TOOL		1
6	531 11 95-41	SOCKET		1
7	531 11 95-34	SERVICE TOOLS		1
8	525 45 52-01	HEX KEY		1
9	531 11 32-68	BRUSH		1
10	531 11 95-53	BRUSH		1
11	531 11 90-15	CLAMP		1
12	531 11 83-18	HOSE KIT		1
13	531 11 83-25	NIPPLE		1
14	740 38 27-01	SEALING WASHER		1
15	531 11 82-18	QUICK COUPLING		1
16	585 02 20-01	WEDGE		6

Go to [Discount-Equipment.com](http://Discount-Equipment.com) to order your parts

**Q** WS 440HF, WS 460, WS 462, WS 463, WS 482HF  
REMOTE CONTROL

26



Go to [DiscountEquipment.com](http://DiscountEquipment.com) to order your parts

REMOTE CONTROL

WS440 HF, WS460, WS462, WS463, WS482 HF

Ref	Part No	Description	Remark	QTY	KIT
1	576 25 34-01	HANDLE ASSY		1	
2	578 77 61-01	SCREW ITPANT		4	1
3	576 25 94-01	TURNING KNOB ASSY		2	10
4	720 11 90-00	PARALLEL PIN		2	10
5	576 26 14-01	NUT		2	10
6	576 26 16-01	O-RING		2	10
7	585 30 68-01	PROTECTION		1	
8	577 73 55-01	KNOB		1	11
9	585 96 39-01	DISPLAY	Also includes pos 18	1	
10	577 70 95-01	CONTROL		2	
11	577 70 94-01	CONTROL		1	
12	597 45 01-01	PRINTED CIRCUIT ASSY		1	
13	577 76 37-01	BATTERY		1	
14	576 81 51-01	SWITCH		1	
15	576 88 80-02	SEALING STRIP		1	25
16	578 77 61-02	SCREW ITPANT		8	25
17	577 71 10-01	SPRING PIN		2	25
18	575 24 22-01	LID		1	
19	575 22 93-01	CONTACT	USB	1	
20	576 87 78-02	CONTACT	CAN	1	
21	587 31 16-01	BATTERY		1	
22	510 10 85-01	PLATE		1	
23	523 00 52-01	SCREW CRCSFT		4	
24	585 47 86-01	RUBBER PLUG		1	
25	586 18 04-01	COVER		1	
26	578 28 48-02	REMOTE CONTROL		1	
27	729 52 55-75	SCREW CRPANT		4	

Go to Discount-Equipment.com to order your parts

# PARTS FINDER

**Search Website  
by Part Number**



**Search Manual  
Library For Parts  
Manual & Lookup Part  
Numbers – Purchase  
or Request Quote**

**Search Manuals**

Enter your information to help us find the right parts manual for your machine.

\* Brand:

\* Model:

\* Serial:

\* Part Number:

SEARCH

**Can't Find Part or  
Manual? Request Help  
by Manufacturer,  
Model & Description**

**Parts Order Form**

Please fill in the following information to help us find the right part for your machine.

Manufacturer:	<input type="text"/>
Model:	<input type="text"/>
Description:	<input type="text"/>
Part Number:	<input type="text"/>
Quantity:	<input type="text"/>
Notes:	<input type="text"/>

Submit

Discount-Equipment.com is your online resource for quality parts & equipment.

Florida: **561-964-4949** Outside Florida TOLL FREE: **877-690-3101**

**Need parts?**

Click on this link: <http://www.discount-equipment.com/category/5443-parts/> and choose one of the options to help get the right parts and equipment you are looking for. Please have the machine model and serial number available in order to help us get you the correct parts. If you don't find the part on the website or on one of the online manuals, please fill out the request form and one of our experienced staff members will get back to you with a quote for the right part that your machine needs.

We sell worldwide for the brands: Genie, Terex, JLG, MultiQuip, Mikasa, Essick, Whiteman, Mayco, Toro Stone, Diamond Products, Generac Magnum, Airman, Haulotte, Barreto, Power Blanket, Nifty Lift, Atlas Copco, Chicago Pneumatic, Allmand, Miller Curber, Skyjack, Lull, Skytrak, Tsurumi, Husquvarna Target, Stow, Wacker, Sakai, Mi-T-M, Sullair, Basic, Dynapac, MBW, Weber, Bartell, Bennar Newman, Haulotte, Ditch Runner, Menegotti, Morrison, Contec, Buddy, Crown, Edco, Wyco, Bomag, Laymor, EZ Trench, Bil-Jax, F.S. Curtis, Gehl Pavers, Heli, Honda, ICS/PowerGrit, IHI, Partner, Imer, Clipper, MMD, Koshin, Rice, CH&E, General Equipment, Amida, Coleman, NAC, Gradall, Square Shooter, Kent, Stanley, Tamco, Toku, Hatz, Kohler, Robin, Wisconsin, Northrock, Oztec, Toker TK, Rol-Air, APT, Wylie, Ingersoll Rand / Doosan, Innovatech, Con X, Ammann, Mecalac, Makinex, Smith Surface Prep, Small Line, Wanco, Yanmar