



# SPARE PARTS LIST

SURFACE PREPARATION EQUIPMENT

PG 830 S, 2020-06

Go to [Discount-Equipment.com](https://Discount-Equipment.com) to order your parts



# PARTS FINDER

**Search Website  
by Part Number**



**Search Manual  
Library For Parts  
Manual & Lookup Part  
Numbers – Purchase  
or Request Quote**

**Search Manuals**

Enter your information to help us find the right parts manual for your machine.

\* Brand:

\* Model:

\* Serial:

\* Part Number:

SEARCH

**Can't Find Part or  
Manual? Request Help  
by Manufacturer,  
Model & Description**

**Parts Order Form**

Please fill in the following information to help us find the right part for your machine.

Manufacturer:	<input type="text"/>
Model:	<input type="text"/>
Description:	<input type="text"/>
Part Number:	<input type="text"/>
Quantity:	<input type="text"/>
Notes:	<input type="text"/>

Discount-Equipment.com is your online resource for quality parts & equipment.

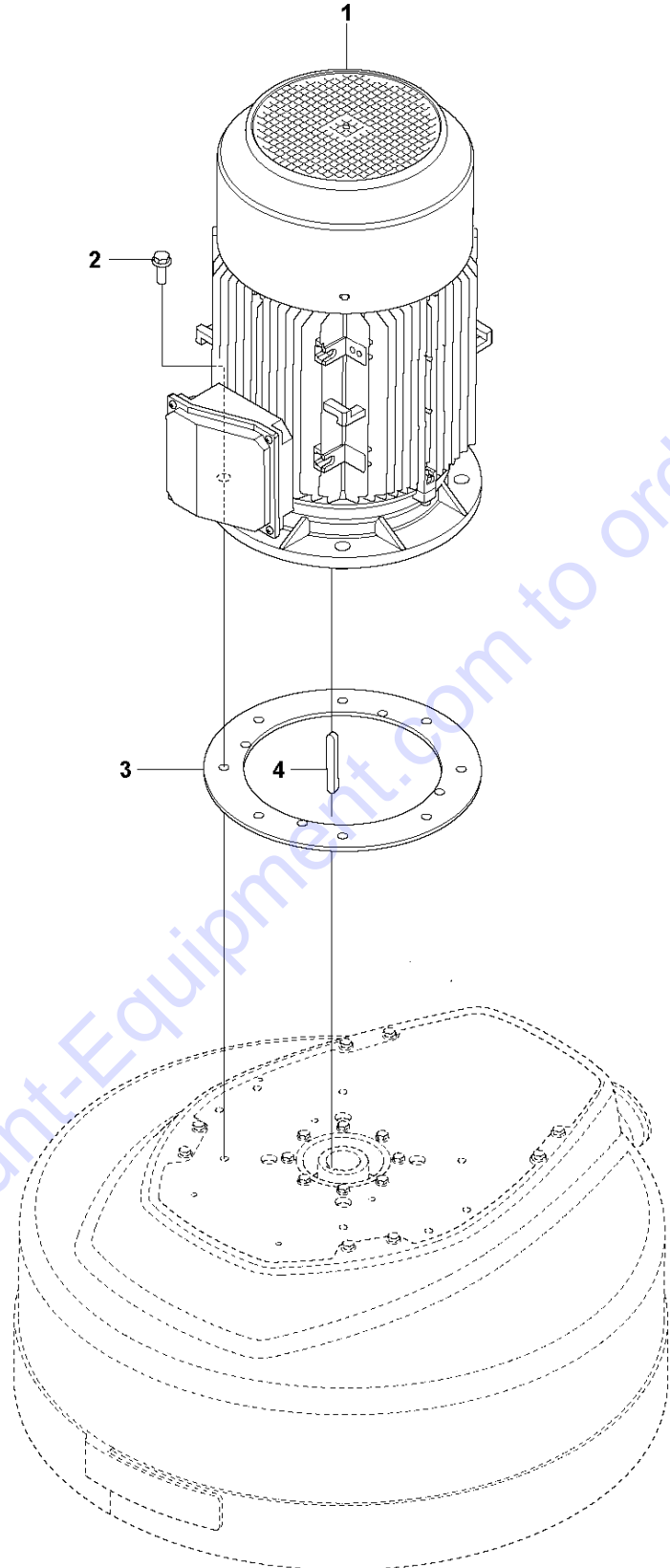
Florida: **561-964-4949** Outside Florida TOLL FREE: **877-690-3101**

**Need parts?**

Click on this link: <http://www.discount-equipment.com/category/5443-parts/> and choose one of the options to help get the right parts and equipment you are looking for. Please have the machine model and serial number available in order to help us get you the correct parts. If you don't find the part on the website or on one of the online manuals, please fill out the request form and one of our experienced staff members will get back to you with a quote for the right part that your machine needs.

We sell worldwide for the brands: Genie, Terex, JLG, MultiQuip, Mikasa, Essick, Whiteman, Mayco, Toro Stone, Diamond Products, Generac Magnum, Airman, Haulotte, Barreto, Power Blanket, Nifty Lift, Atlas Copco, Chicago Pneumatic, Allmand, Miller Curber, Skyjack, Lull, Skytrak, Tsurumi, Husquvarna Target, Stow, Wacker, Sakai, Mi-T-M, Sullair, Basic, Dynapac, MBW, Weber, Bartell, Bennar Newman, Haulotte, Ditch Runner, Menegotti, Morrison, Contec, Buddy, Crown, Edco, Wyco, Bomag, Laymor, EZ Trench, Bil-Jax, F.S. Curtis, Gehl Pavers, Heli, Honda, ICS/PowerGrit, IHI, Partner, Imer, Clipper, MMD, Koshin, Rice, CH&E, General Equipment, Amida, Coleman, NAC, Gradall, Square Shooter, Kent, Stanley, Tamco, Toku, Hatz, Kohler, Robin, Wisconsin, Northrock, Oztec, Toker TK, Rol-Air, APT, Wylie, Ingersoll Rand / Doosan, Innovatech, Con X, Ammann, Mecalac, Makinex, Smith Surface Prep, Small Line, Wanco, Yanmar

**A** PG 830 S  
MOTOR

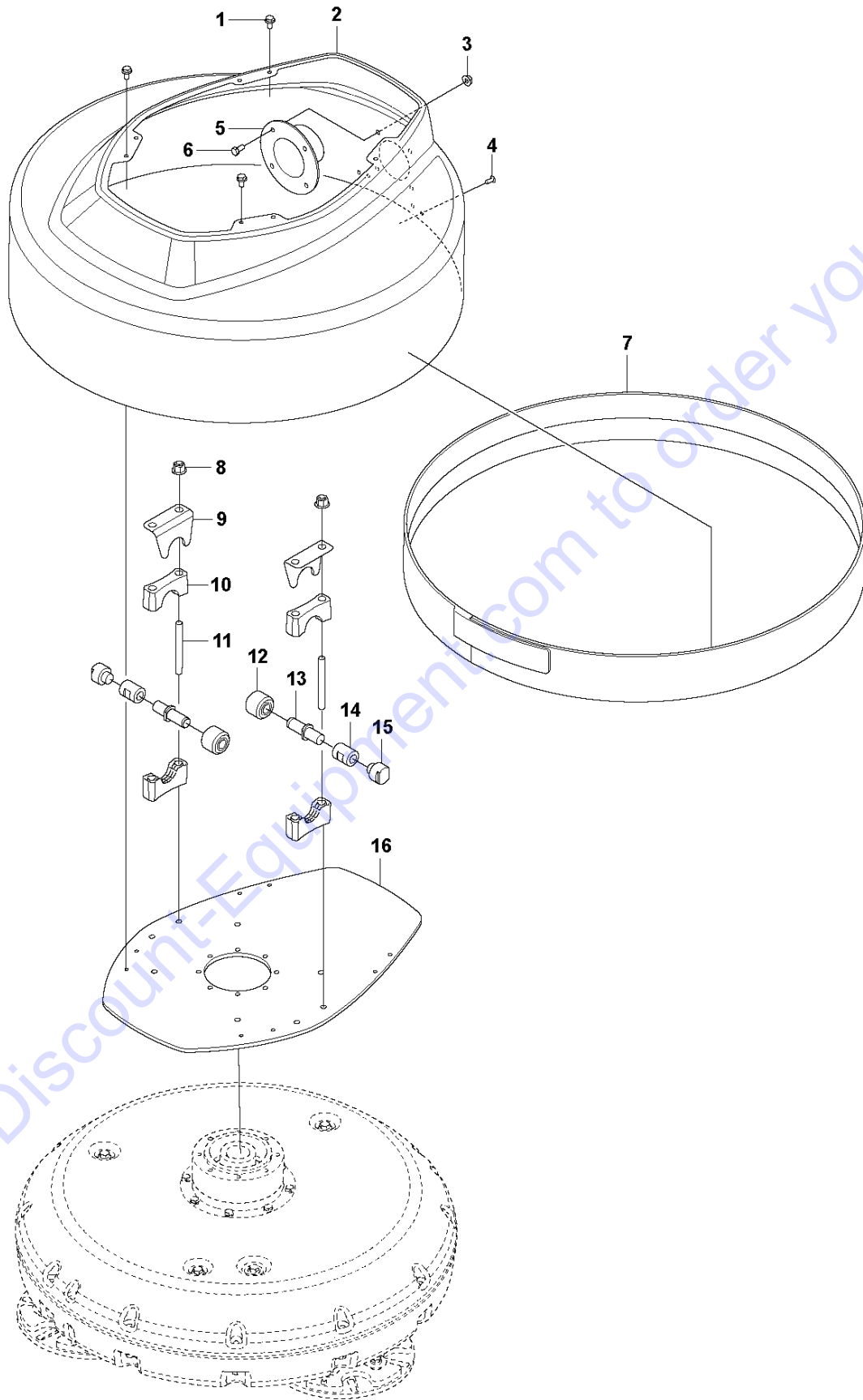


Go to Discount-Equipment.com to order your parts

Ref	Part No	Description	Remark	QTY	KIT
1	595 53 09-01	MOTOR	11KW, 230/400V 50/60Hz	1	
2	598 74 98-01	SCREW	M12x35 DRI-SEAL	4	
3	597 25 51-01	SEAL		1	
4	000 00 00-00	W/O DESCRIPTION	L=88mm W=12mm t=8mm	1	

Go to [Discount-Equipment.com](https://Discount-Equipment.com) to order your parts

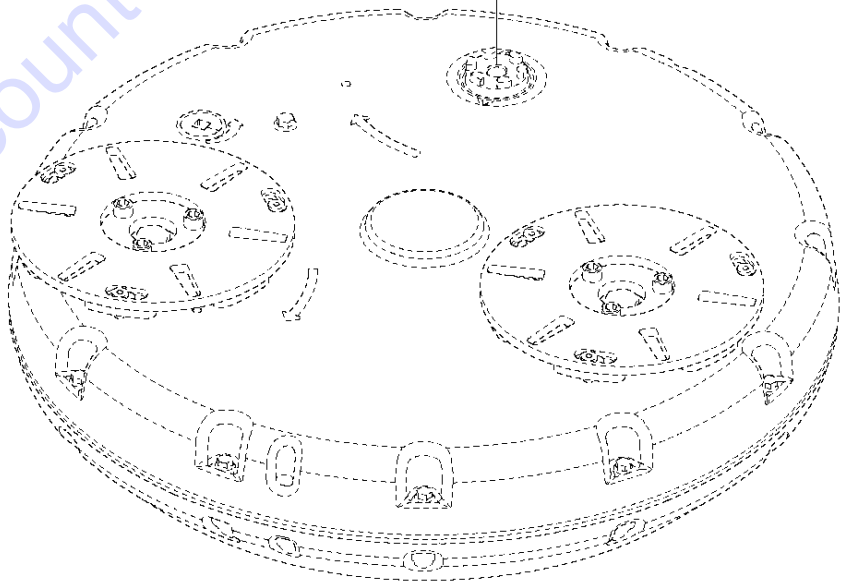
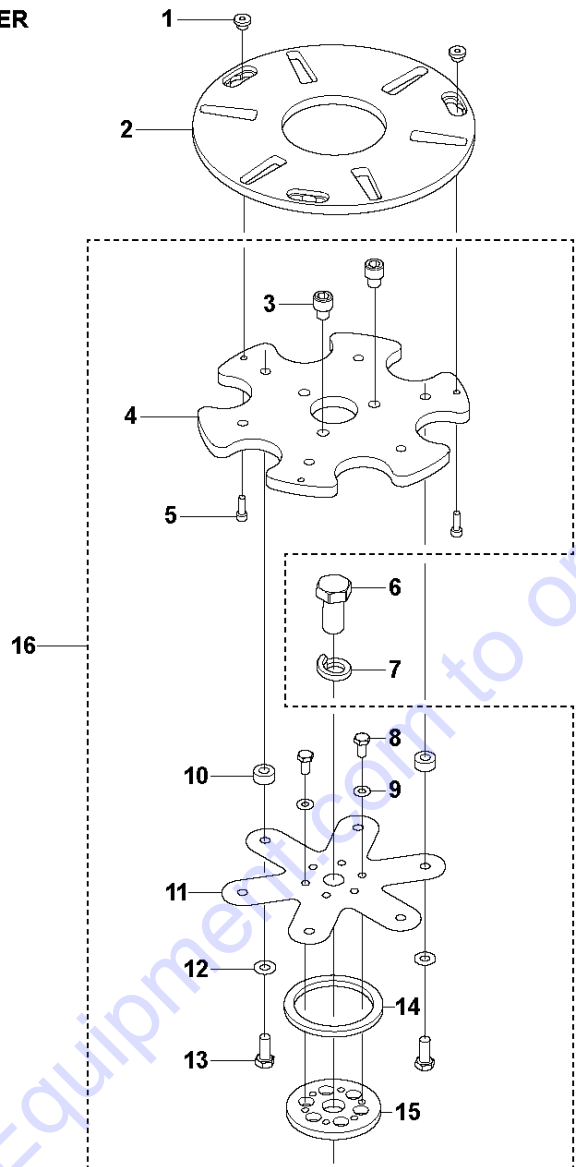
**B** PG 830 S  
GRINDING HEAD, OUTER



Ref	Part No	Description	Remark	QTY KIT
1	597 72 09-01	SCREW		8
2	597 45 43-01	DUST COVER		1
3	576 64 57-03	NUT FLANGE	M6 Nylon Lock	4
4	593 50 08-01	RIVET		4
5	599 31 60-01	HOSE CONNECTOR		1
6	531 11 94-26	SCREW		4
7	598 03 43-02	RUBBER SKIRT		1
8	576 64 57-06	NUT FLANGE	M12 Nylon lock	4
9	598 77 80-01	STOP	Suspension Bushing	2
10	593 54 20-01	CLAMP	Suspension	4
11	597 80 33-01	STUD		4
12	593 53 90-01	SUSPENSION	rubber	2
13	593 53 83-01	AXLE		2
14	593 53 84-01	NUT	Grinding head suspension	2
15	598 39 97-01	SUPPORT	Support	2
16	597 79 68-01	PLATE	Motor base 830 S	1

Go to Discount-Equipment.com to order your parts

**C** PG 830 S  
GRINDING HEAD, LOWER



Go to Discount-Equipment.com to order your parts

## GRINDING HEAD, LOWER

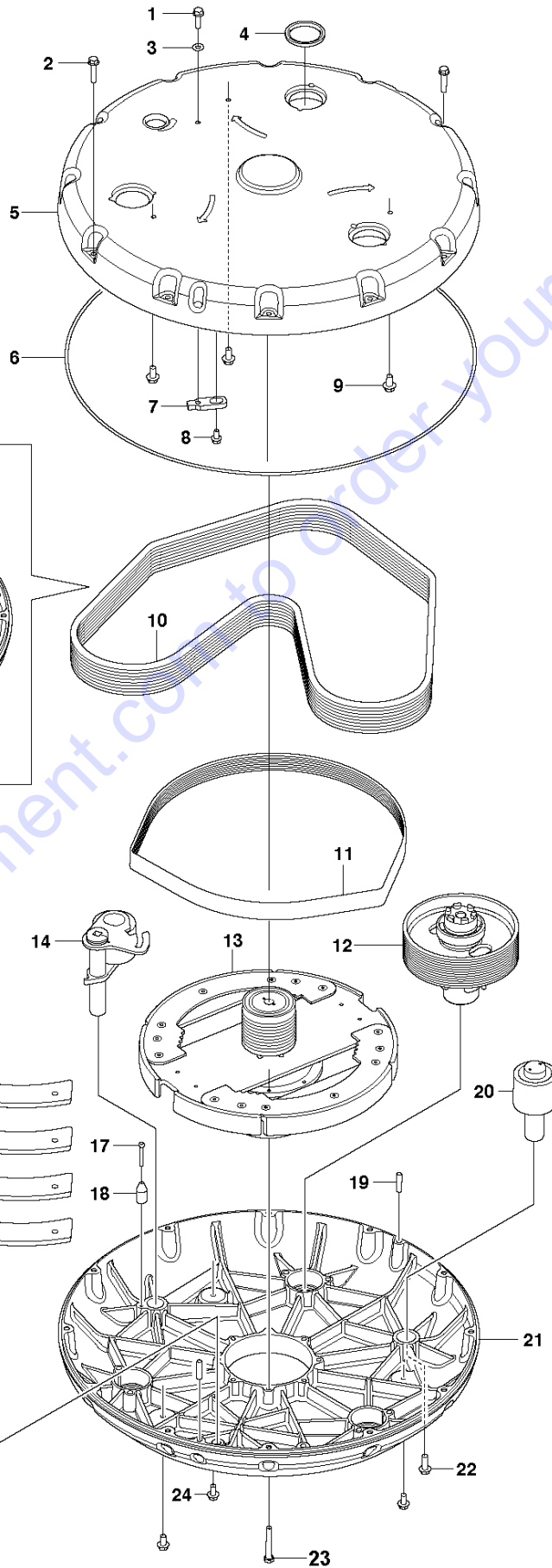
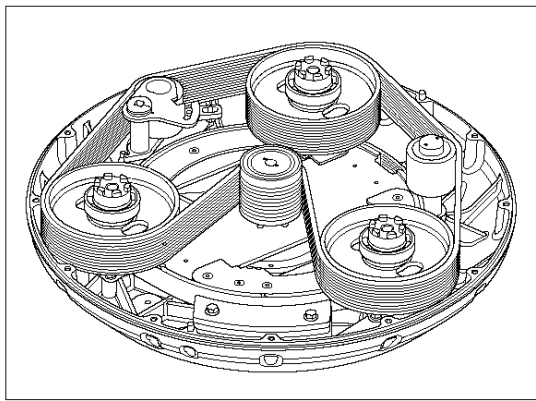
PG 830 S, 2020-06

Ref	Part No	Description	Remark	QTY	KIT
1	587 45 14-01	LOCK	M6 drylock	3	
2	502 53 22-01	HOLDER		1	
3	597 16 23-01	SCREW	M12x12 12.9	3	16
4	502 53 40-02	PLATE	Head - Spring steel system	1	16
5	725 53 70-51	SCREW IHSCM	M6x20 12.9	3	16
6	504 74 89-01	SCREW EHHM	M20x40	3	
7	504 74 96-03	LOCKWASHER	20	1	
8	725 24 49-76	SCREW EHHM	M8x16 10.9	6	16
9	734 11 63-01	WASHER	8.4x16x1.6	6	16
10	502 53 40-14	SPACER	10/20x11	6	16
11	502 53 42-01	SPRING	Grinding holder spring	1	16
12	734 11 72-01	WASHER	10.5x20x2	6	16
13	725 24 93-76	SCREW EHHM	M10x25 10.9	6	16
14	502 53 40-05	RUBBER RING	Coupling seal	1	16
15	502 53 40-06	HUB		1	16
16	502 53 40-01	SPRING	Kit assy	3	

Go to [Discount-Equipment.com](http://Discount-Equipment.com) to order your parts



**D** PG 830 S  
GRINDING HEAD, INTERNAL

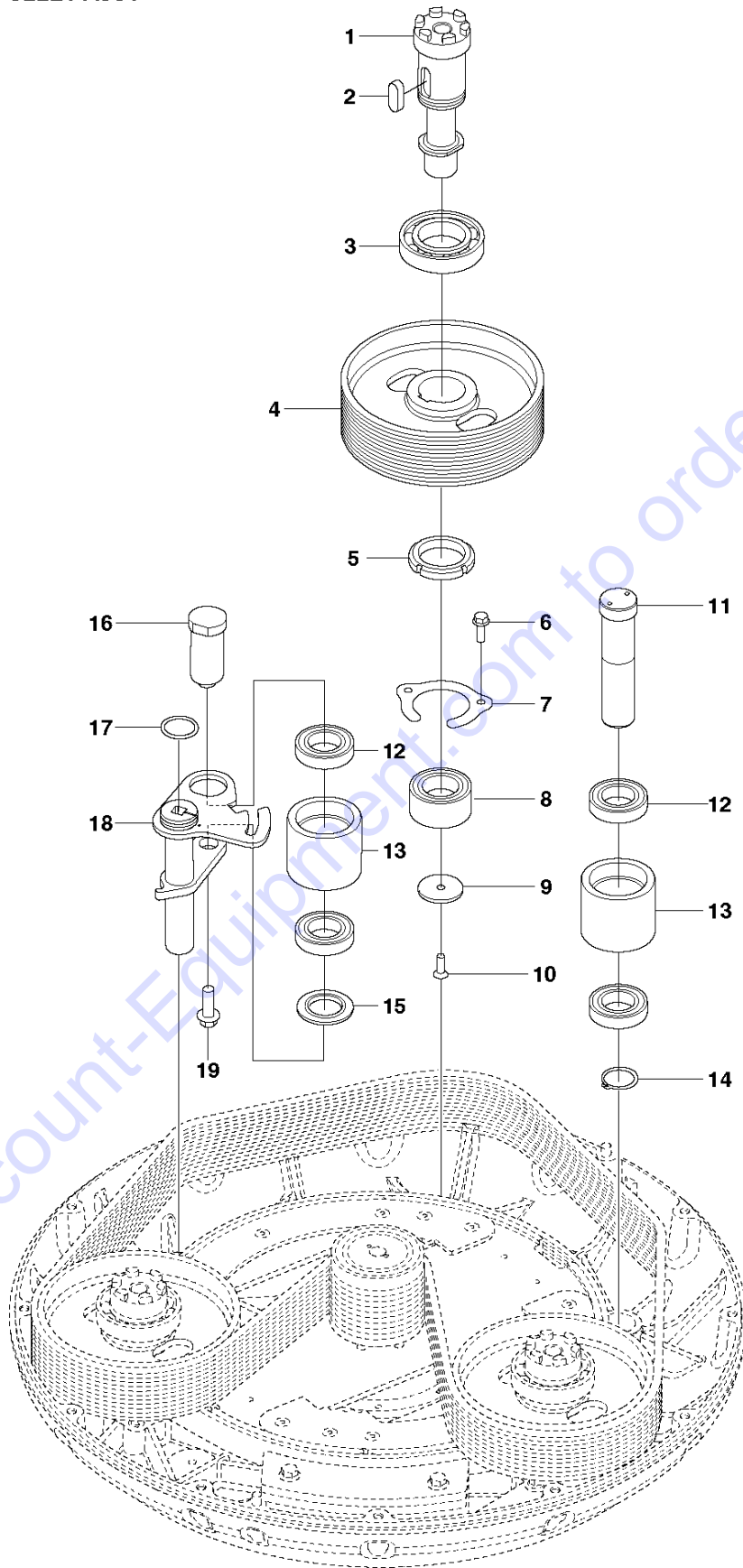


Go to Discount-Equipment.com to order your parts

Ref	Part No	Description	Remark	QTY KIT
1	593 96 41-01	SCREW	M10x30	1
2	593 51 37-01	SCREW	M8x45	12
3	593 96 42-01	WASHER	10x20x1	1
4	593 48 72-01	RADIAL SEAL	60x75x8	3
5	595 76 09-01	HOUSING	T8 Bottom	1
6	593 48 75-01	O-RING		1
7	593 53 81-01	TENSIONER	Locking plate	1
8	593 96 40-01	SCREW	M8x16	1
9	597 55 20-01	SCREW	M10x20	3
10	593 49 03-01	BELT	Primary belt	1
11	593 49 02-01	BELT	Secondary belt	1
12	598 47 83-01	SHAFT ASSY	Complete Pulley 830	1
13	593 54 32-01	HUB ASSY	Complete Center Hub 830	1
14	593 54 37-01	BELT TENSIONER		1
15	595 68 15-01	SCREW	M10x60	2
16	595 71 38-01	COUNTERWEIGHT		4
17	593 51 04-01	SCREW	M6x50	1
18	595 71 39-01	TENSIONER	Stop	1
19	595 68 32-01	PIN	PIN 10x26	2
20	593 71 82-01	KIT	Complete Idler Pulley 830	1
21	595 76 08-01	HOUSING	T8 Top	1
22	585 98 04-01	SCREW EHHFM	M10x30	1
23	595 67 99-01	SCREW	M8x55	8
24	597 55 20-01	SCREW	M10x20	3

Go to Discount-Equipment.com to order your parts

**E** PG 830 S  
IDLER PULLEY ASSY



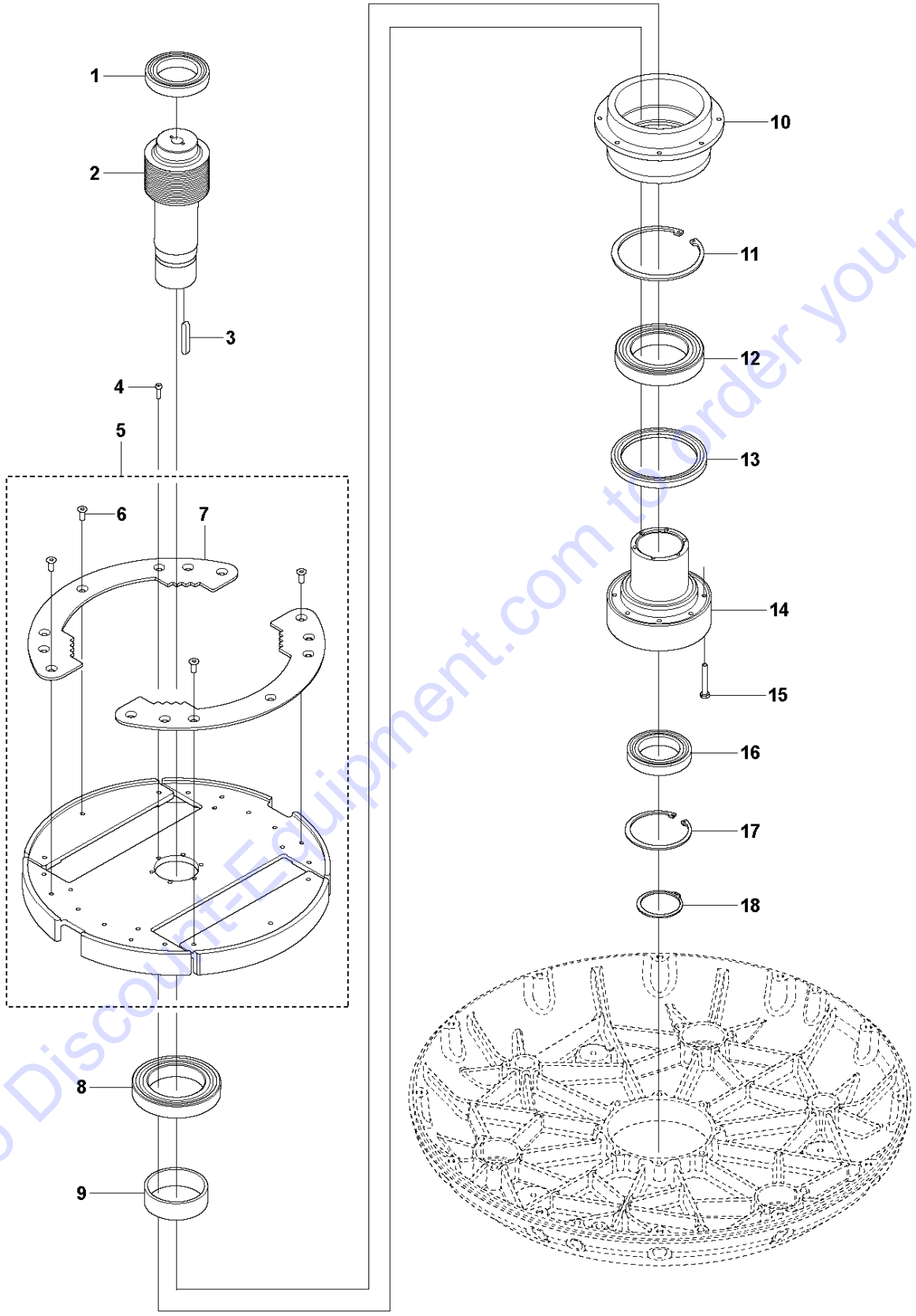
## IDLER PULLEY ASSY

PG 830 S, 2020-06

Ref	Part No	Description	Remark	QTY KIT
1	598 02 74-01	SHAFT		1
2	593 48 76-01	KEY	14X9X36 H9	1
3	593 49 27-01	BALL BEARING	6210-2Z C3	1
4	595 75 76-01	PULLEY		1
5	593 48 79-01	NUT	KM10 DIN 981	1
6	506 57 01-05	SCREW EHHFM	M8x25	6
7	595 71 00-01	WASHER	Grinding Shaft	3
8	593 48 77-01	BEARING	Hub	1
9	595 70 99-01	WASHER	Pretension washer	1
10	593 50 17-01	SCREW	M8x25	1
11	595 76 05-01	AXLE		1
12	593 49 28-01	BALL BEARING	6007-2Z C3	4
13	595 70 98-01	PULLEY	Idler Ø80	2
14	593 49 81-01	CIRCLIP	35x1.5,external	1
15	595 75 73-01	SPACER		1
16	595 76 14-01	AXLE		1
17	593 48 78-01	O-RING	34.2x3	1
18	595 76 06-01	TENSIONER	Weldment	1
19	595 68 01-01	SCREW	M12x35	1

Go to Discount-Equipment.com to order your parts

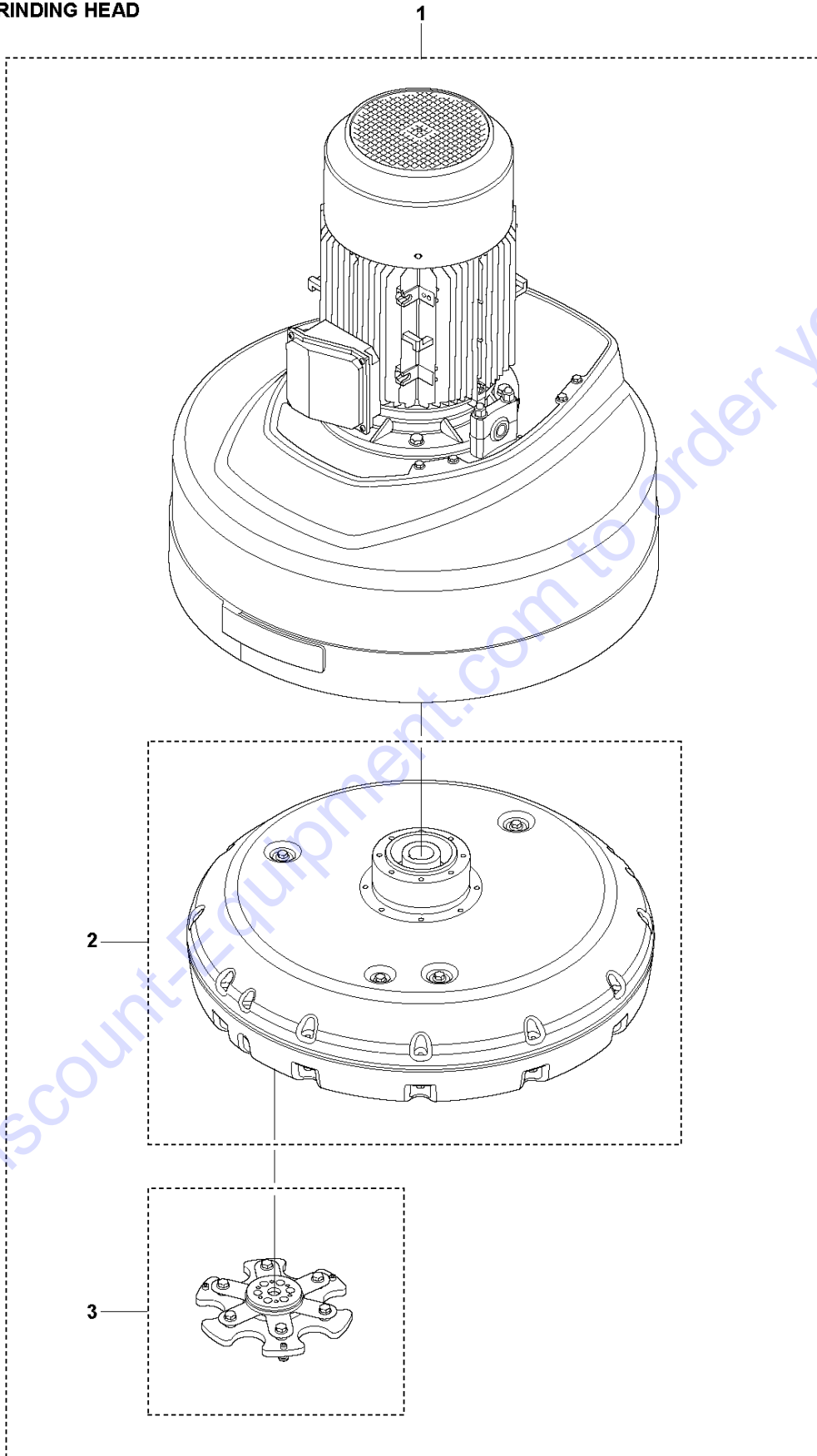
**F** PG 830 S  
CENTER HUB ASSY



Ref	Part No	Description	Remark	QTY	KIT
1	593 49 26-01	BALL BEARING	6013-2Z C3	1	
2	595 75 99-01	PULLEY	Center Ø105	1	
3	597 93 25-01	PARALLEL KEY	10x8x60	1	
4	593 51 42-01	SCREW	M6x20	6	
5	595 75 71-01	PULLEY	Secondary	1	
6	593 50 49-01	SCREW	M8x20	14	5
7	595 70 95-01	PULLEY	T8	2	5
8	593 62 99-01	BALL BEARING	6018-2RS1	1	
9	595 71 31-01	SPACER	Ring	1	
10	595 71 30-01	HUB	Center hub outer	1	
11	595 67 98-01	CIRCLIP	Internal 140x4	1	
12	593 62 99-01	BALL BEARING	6018-2RS1	1	
13	593 48 70-01	RADIAL SEAL	120x150x12	1	
14	593 54 29-01	HUB	Center	1	
15	595 67 99-01	SCREW	M8x55	8	
16	593 49 26-01	BALL BEARING	6013-2Z C3	1	
17	593 50 30-01	CIRCLIP	Internal 100x3	1	
18	593 50 29-01	CIRCLIP	External 65x2,5	1	

Go to Discount-Equipment.com to order your parts

**G** PG 830 S  
GRINDING HEAD



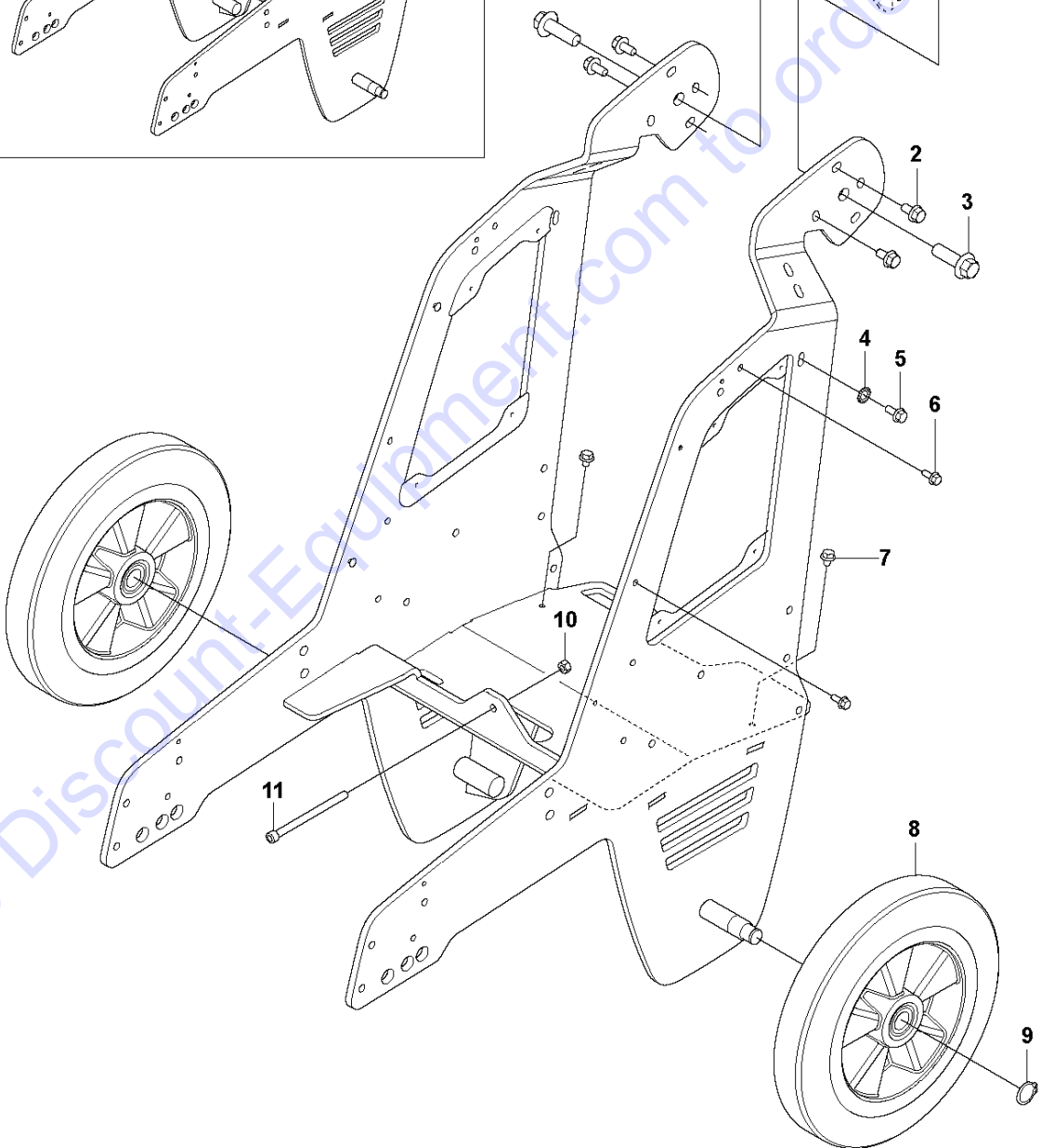
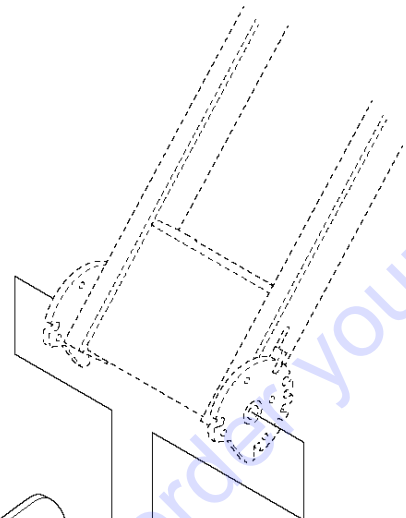
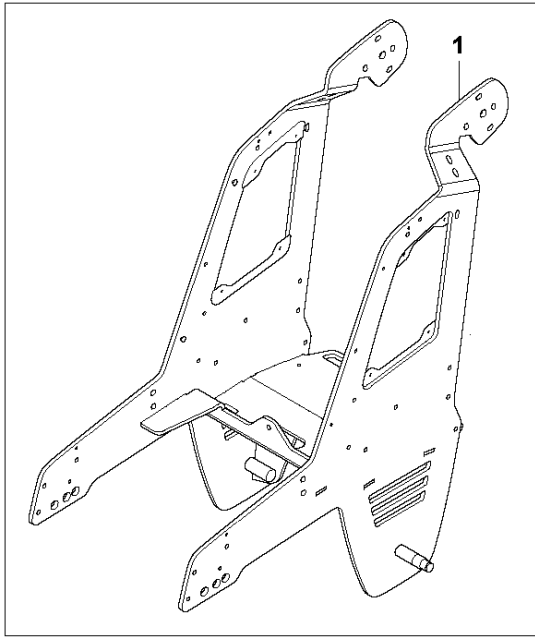
Go to [Discount-Equipment.com](http://Discount-Equipment.com) to order your parts

Ref	Part No	Description	Remark	QTY	KIT
1	597 74 28-01	GRINDING HEAD	incl Motor, Shroud & Tool Holders	1	
2	597 79 42-01	GRINDING HEAD	excl Motor, Shroud & Tool Holders	1	1
3	502 53 40-01	SPRING	CPL Tool Holder, Head Locks	3	1

Go to [Discount-Equipment.com](https://Discount-Equipment.com) to order your parts



**H** PG 830 S  
CHASSIS



Go to Discount-Equipment.com to order your parts

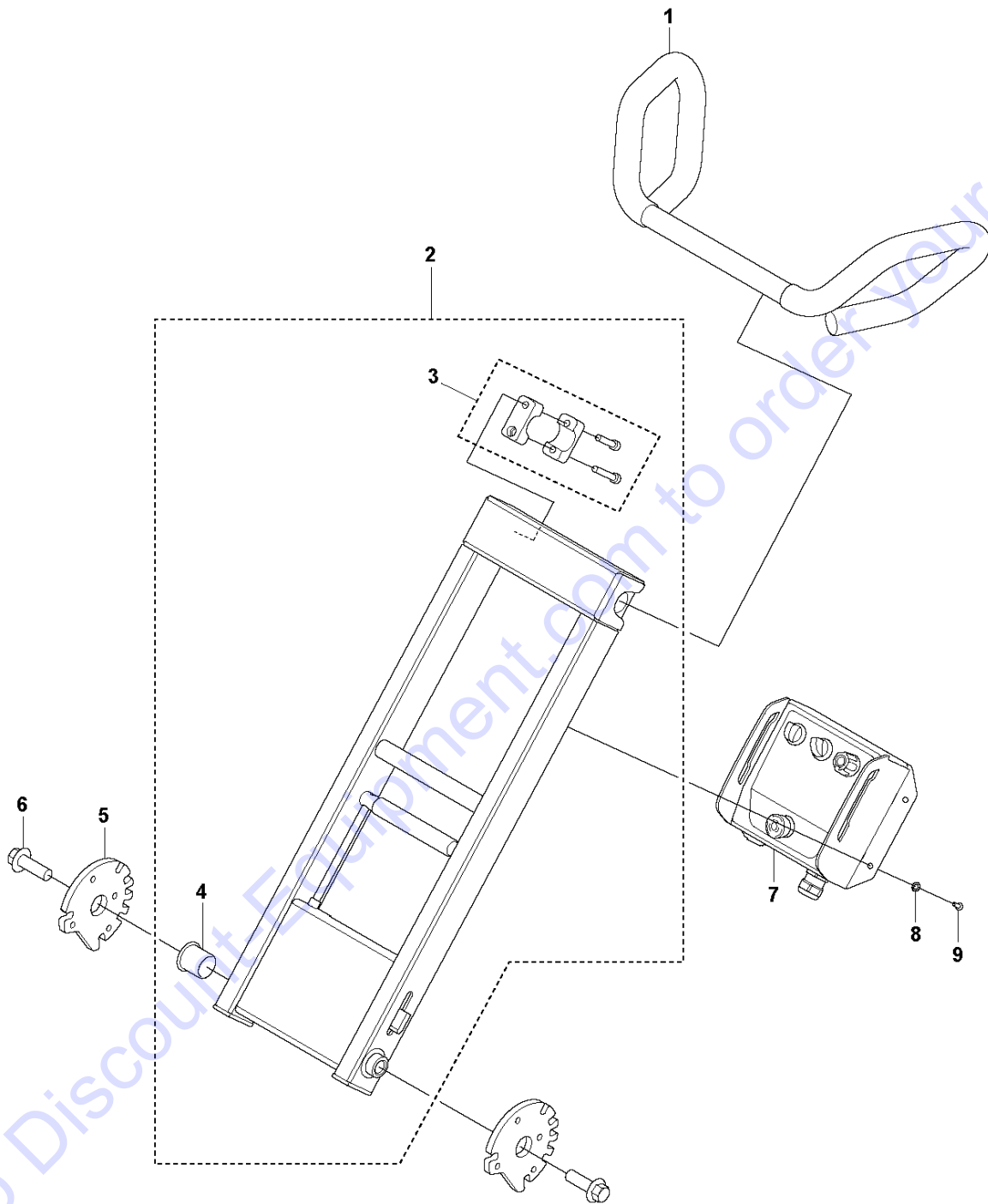
## CHASSIS

PG 830 S, 2020-06

Ref	Part No	Description	Remark	QTY KIT
1	597 14 47-01	CHASSIS	Weld assy	1
2	585 97 52-01	SCREW EHHFM	M10x20	8
3	582 64 48-01	BOLT	M16x50	2
4	593 51 11-01	LOCKWASHER	M8x20	2
5	506 57 01-04	SCREW EHHFM	M8x20	2
6	585 98 06-01	SCREW EHHFM	M6x16	4
7	597 72 09-01	SCREW	M8x10	2
8	597 34 58-01	WHEEL	PG Push	2
9	735 31 26-01	CIRCLIP	25x1.2, external	2
10	576 64 57-06	NUT FLANGE	M12	1
11	585 23 59-01	SCREW EHHFM	M12x25	1

Go to [Discount-Equipment.com](http://Discount-Equipment.com) to order your parts

**J** PG 830 S  
FRAME, UPPER

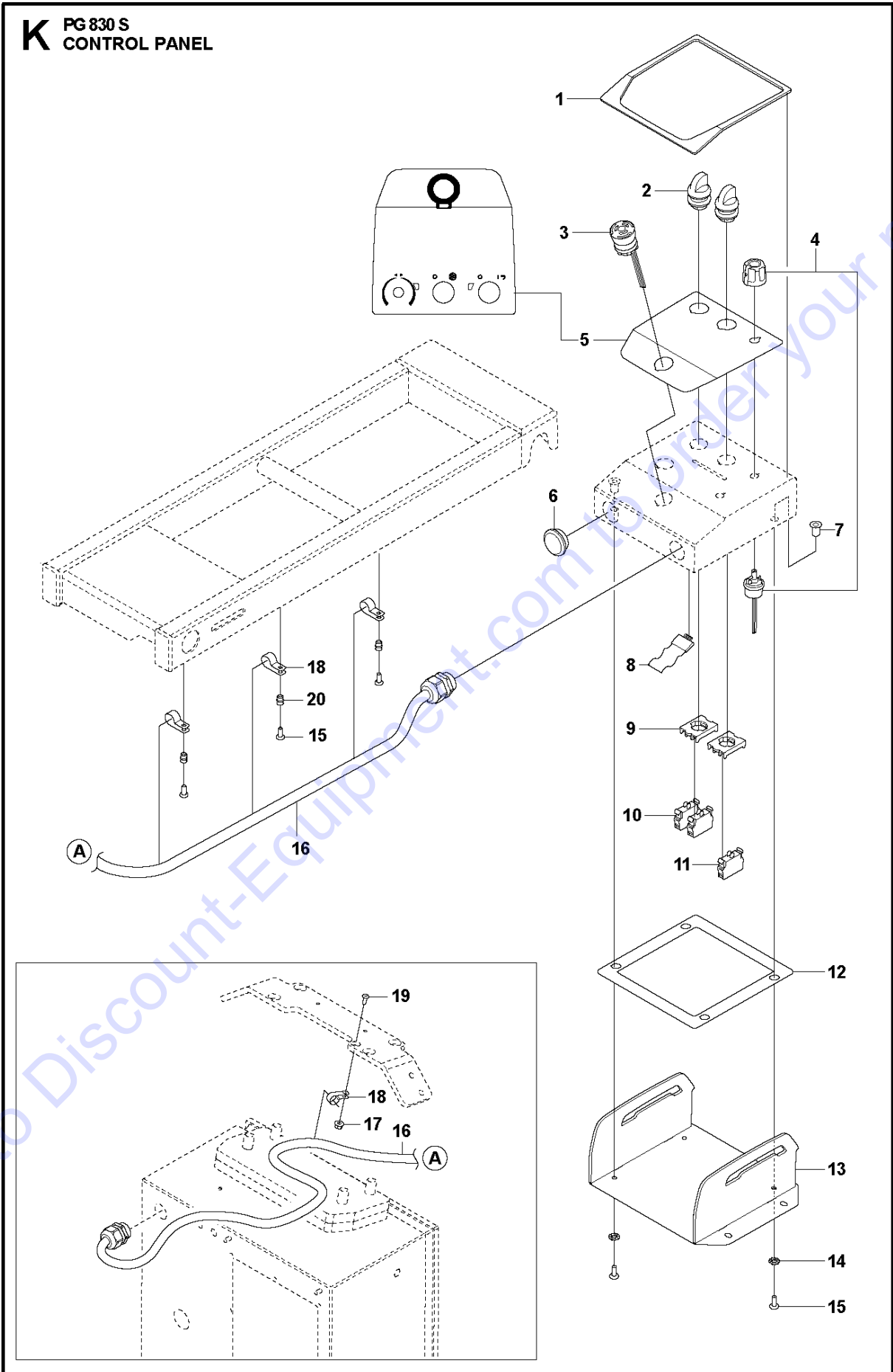


Go to Discount Equipment.com to order your parts

Ref	Part No	Description	Remark	QTY	KIT
1	597 18 39-01	HANDLE	Tube	1	
2	597 80 35-01	HANDLEBAR ASSY	Pre-assembled arm	1	
3	599 65 64-01	CLAMP		2	2
4	593 48 62-01	BEARING	Flanged 30x42x35	2	2
5	596 61 24-01	LOCKING PLATE	Frame	2	
6	582 64 48-01	BOLT	M16x50	2	
7	598 53 43-01	PANEL	HMI Assy 830 S	1	
8	735 21 53-51	LOCKWASHER	6.4x11	4	
9	531 11 94-26	SCREW	M6x16	4	

Go to [Discount-Equipment.com](http://Discount-Equipment.com) to order your parts

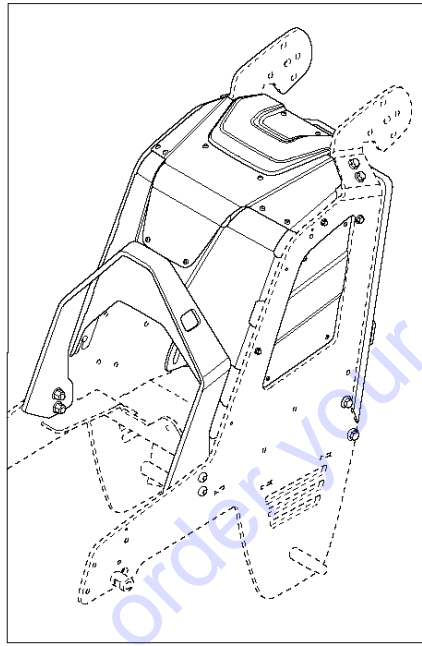
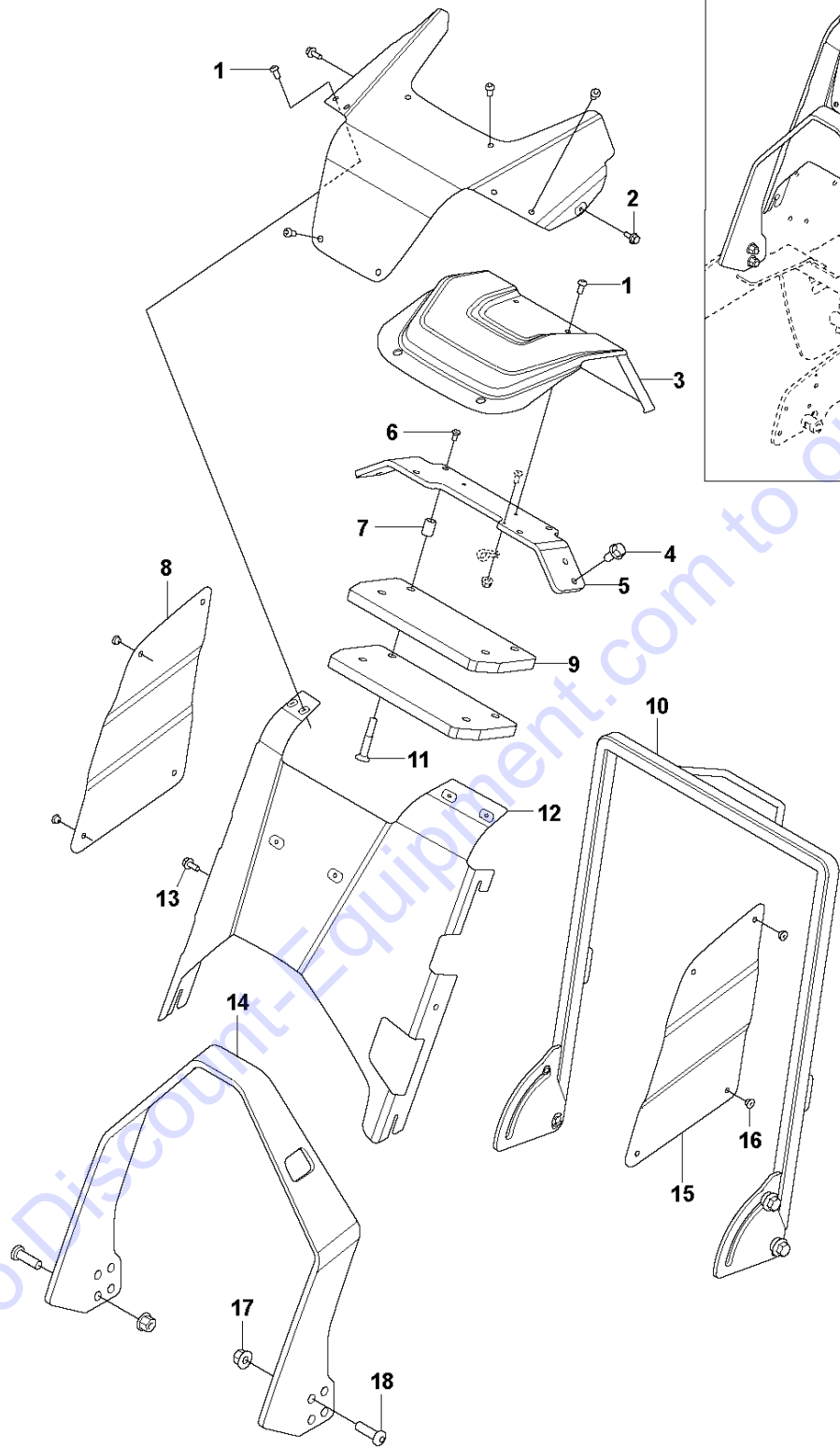
**K** PG 830 S  
CONTROL PANEL



Ref	Part No	Description	Remark	QTY KIT
1	597 65 41-01	PLATE		1
2	598 53 94-01	SWITCH		1
2	598 53 98-01	SWITCH		1
3	598 55 74-01	SWITCH		1
4	587 28 36-01	SWITCH		2
5	598 55 88-01	STICKER	HMI Decal 830 S	1
6	599 56 07-01	PLUG	Rubber plug	1
7	591 95 78-01	RIVET	M5 Rivet Nut	4
8	598 92 65-01	CABLE	Adapter for overlay	1
9	598 53 95-01	SWITCH		2
10	598 54 00-01	SWITCH	EATON M22-K10/216376	2
11	598 55 70-01	SWITCH	EATON M22-K01/216378	1
12	598 42 96-01	GASKET	Gasket, HMI	1
13	597 64 61-01	BRACKET	Bracket, HMI	1
14	735 21 46-01	LOCKWASHER	5.3x10	4
15	593 50 91-01	SCREW	M5x12	7
16	598 53 91-01	FITTING	M25 Ø8-17 Black	1
17	576 64 57-03	NUT FLANGE	M6	1
18	589 66 91-01	CLIP		3
19	522 66 90-01	SCREW IHSCFM	M6x20	1
20	597 97 82-01	RIVET	M5 Rivet Nut	3

Go to [Discount-Equipment.com](https://Discount-Equipment.com) to order your parts

**L** PG 830 S  
FRAME, LOWER

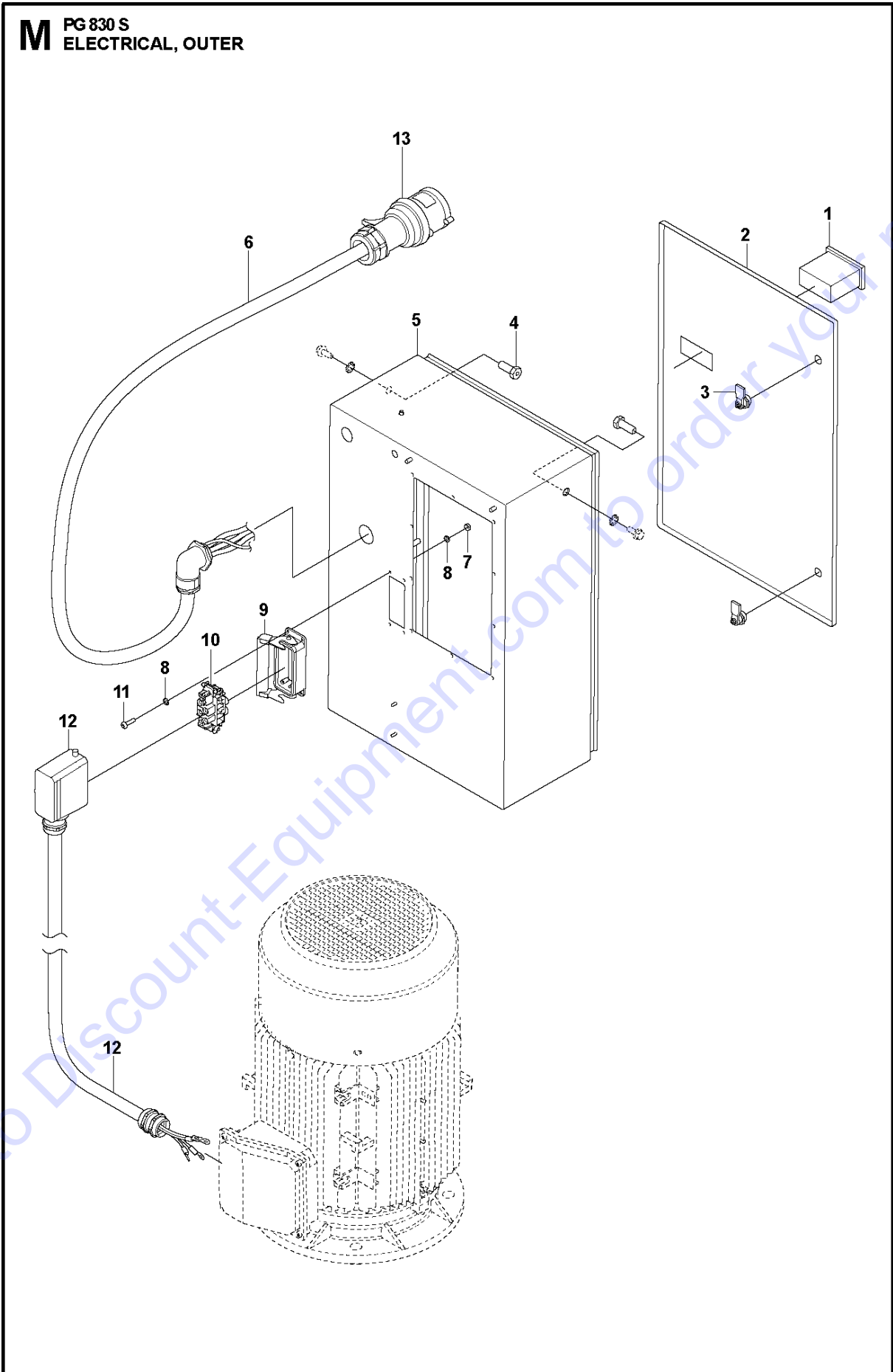


Go to Discount-Equipment.com to order your parts

Ref	Part No	Description	Remark	QTY KIT
1	531 11 94-26	SCREW	M6x16	10
2	585 98 06-01	SCREW EHHFM	M6x16	2
3	598 48 91-01	COVER		1
4	585 97 52-01	SCREW EHHFM	M10x20	4
5	596 61 39-01	FRAME BRACKET		1
6	598 92 13-01	SCREW	M8x16	4
7	598 48 01-01	DISTANCE		4
8	597 24 97-01	COVER	Right	1
9	596 61 41-01	COUNTERWEIGHT		2
10	597 18 23-01	BAR	Assy	1
11	598 92 12-01	SCREW	M8x35	4
12	597 94 67-02	FRONT COVER		1
13	585 98 06-01	SCREW EHHFM	M6x16	2
14	597 39 89-01	LIFTING ARM		1
15	597 24 97-02	COVER	Left	1
16	593 50 08-01	RIVET		8
17	576 64 57-06	NUT FLANGE	M12	4
18	598 74 93-01	SCREW	M12x40	4

Go to Discount-Equipment.com to order your parts

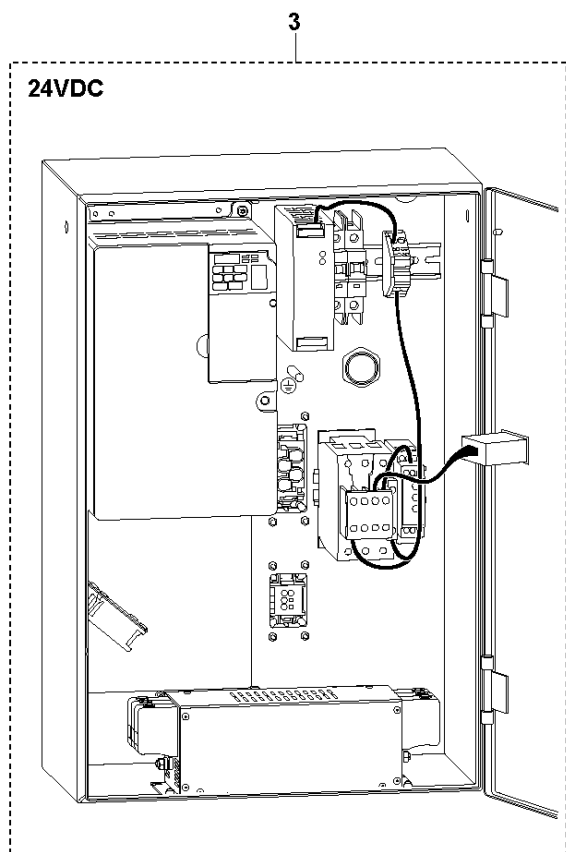
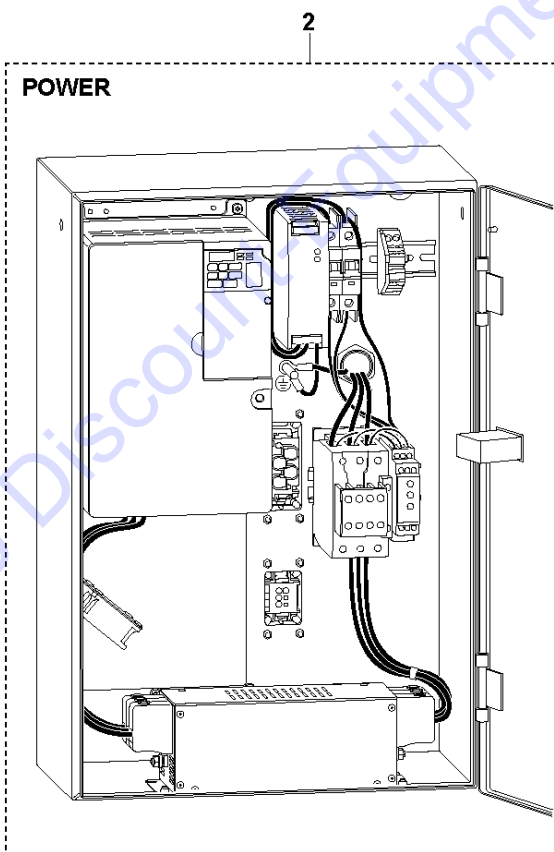
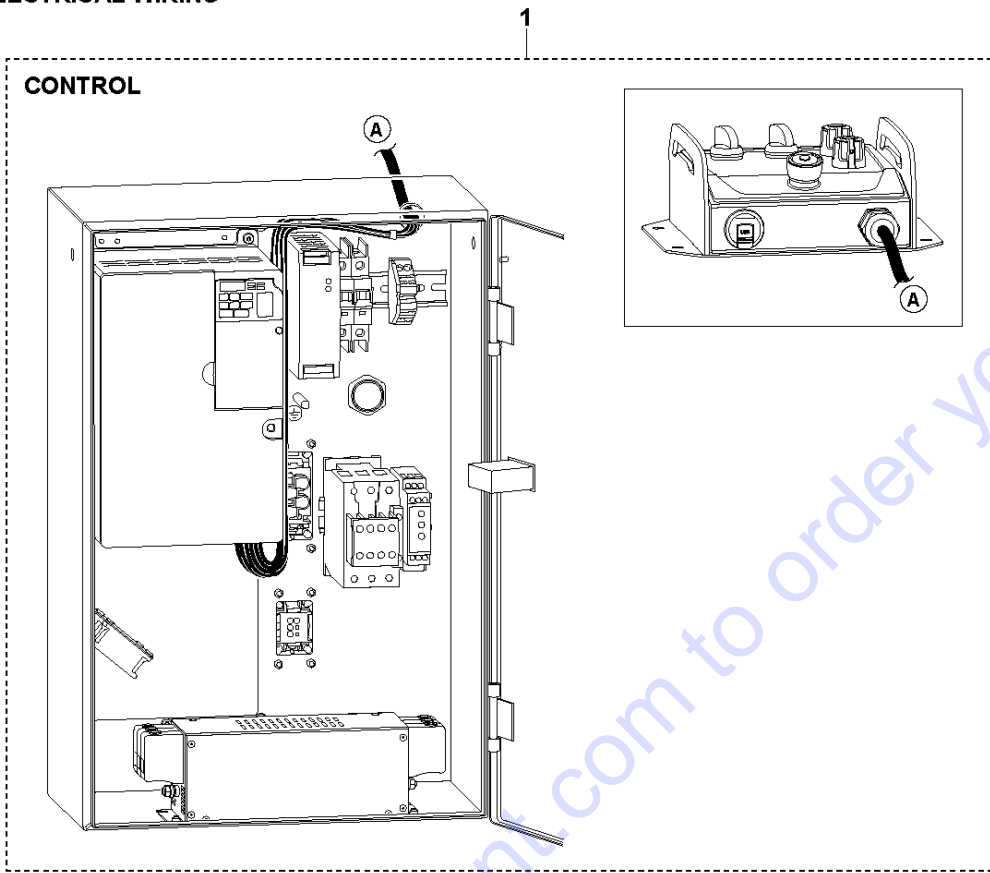




Ref	Part No	Description	Remark	QTY KIT
1	598 53 81-01	HOUR METER		1
2	599 66 94-01	DOOR	Door incl. locks and hinges	1
3	599 66 96-01	LOCK ASSY		2
4	595 72 13-01	SCREW		1
5	598 02 73-01	ELECTRONIC BOX		1
6	598 55 12-01	CABLE		1
7	731 23 12-01	HEXAGON NUT	M4	4
8	735 21 36-01	LOCKWASHER	4.3x8	8
9	598 51 91-01	BRACKET	Housing 15/11Kw	1
10	598 51 92-01	RECEPTACLE	Insert 15/11Kw	1
11	544 29 13-03	SCREW ITPANM	M4x16	4
12	597 60 74-01	CABLE ASSY	Assy 11 Kw	1
13	593 58 48-01	PLUG	3x380-415V 32A EU	1
13	502 54 40-01	PLUG	3x380-415V 32A AUS	1
13	593 58 44-01	PLUG	3x440-480V 30A US	1
13	597 52 84-01	PLUG	3x220-240V 50A US	1

Go to Discount-Equipment.com to order your parts

**N** PG 830 S  
ELECTRICAL WIRING

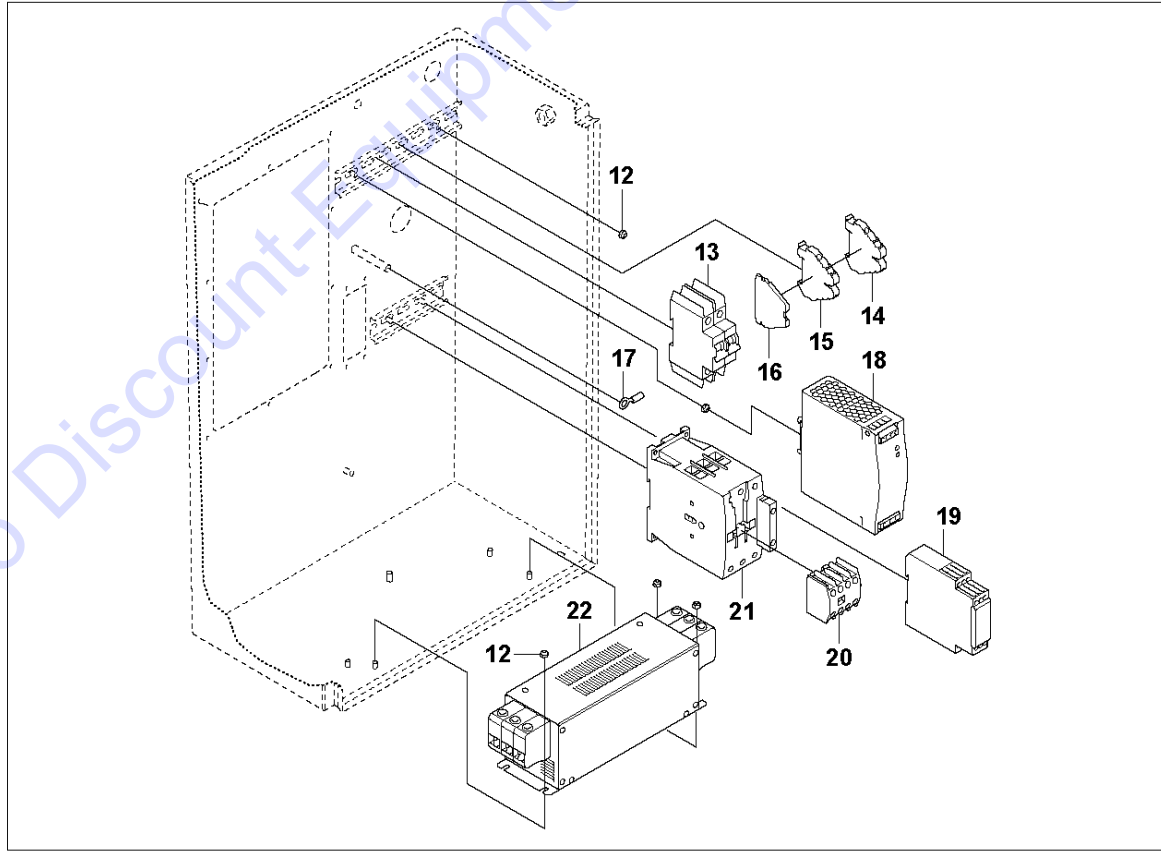
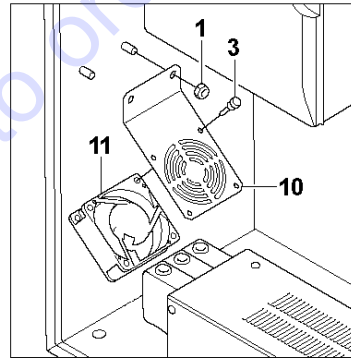
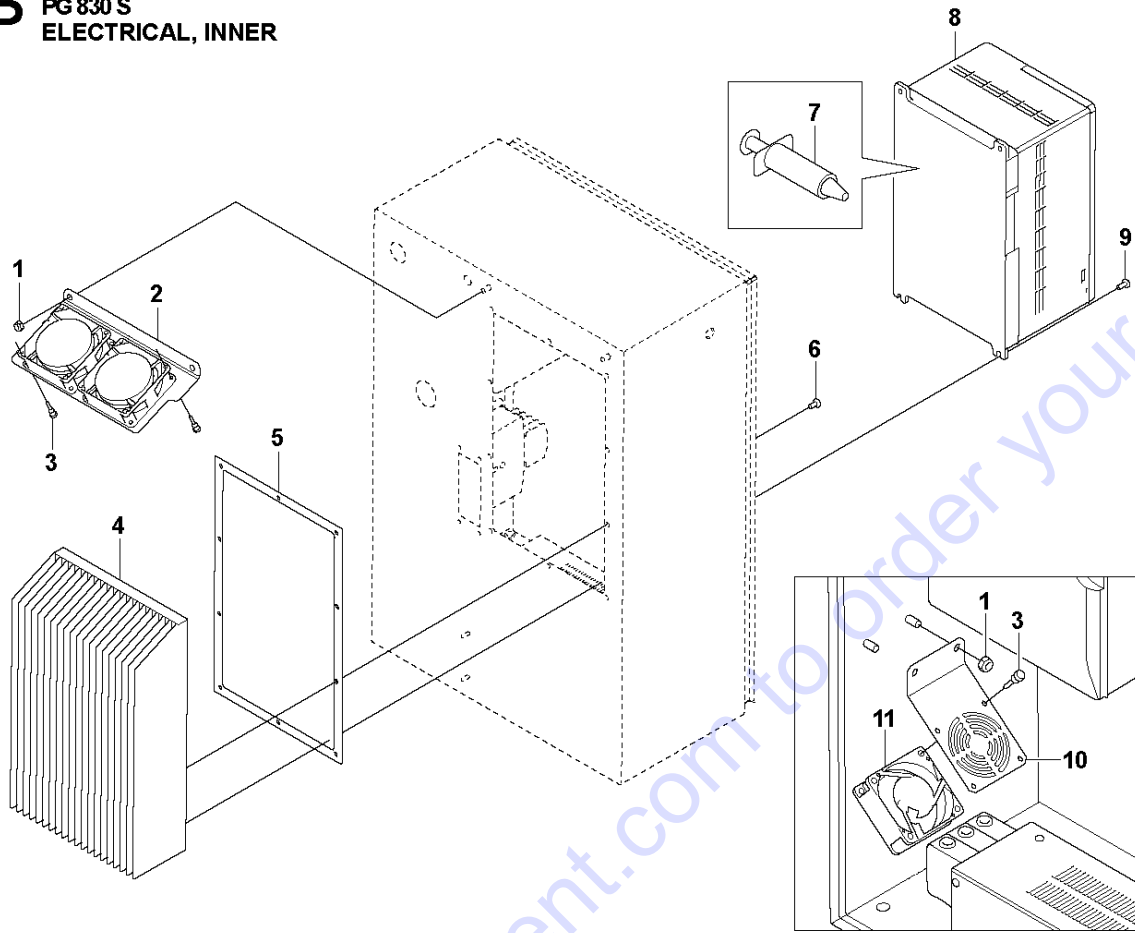


Go to Discount Equipment.com to order your parts

Ref	Part No	Description	Remark	QTY KIT
1	599 77 17-01	CABLE KIT		1
2	599 77 13-01	CABLE KIT		1
3	599 77 06-01	CABLE KIT		1

Go to [Discount-Equipment.com](http://Discount-Equipment.com) to order your parts

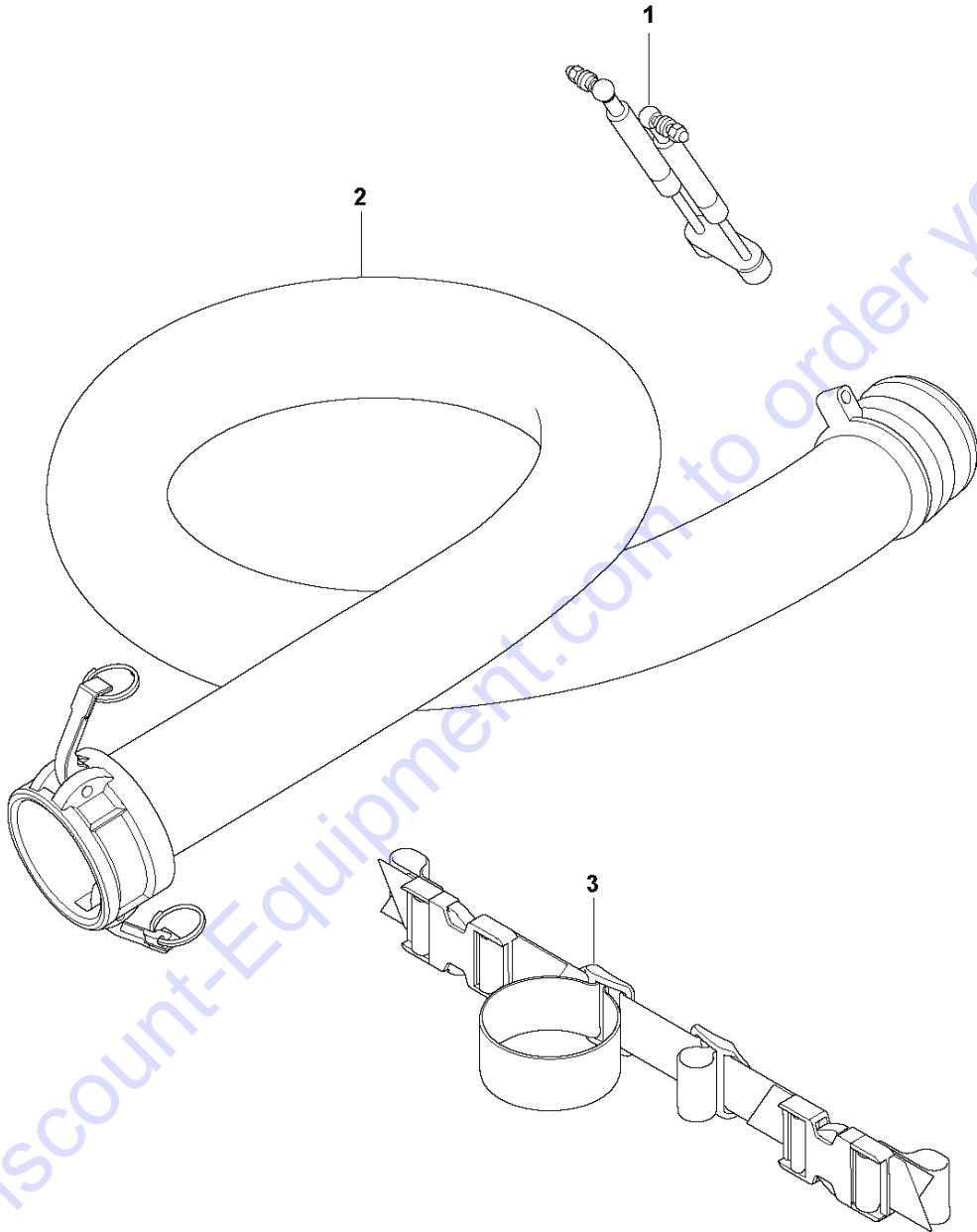
**P** PG 830 S  
ELECTRICAL, INNER



Ref	Part No	Description	Remark	QTY KIT
1	732 21 16-01	LOCK NUT	M6 Lock nut	4
2	597 63 27-01	FAN	24VDC - Heatsink	1
3	595 74 43-01	FAN		12
4	595 71 09-01	HEAT SINK		1
5	593 53 66-01	GASKET	Heat sink	1
6	544 29 13-01	SCREW ITPANM	M5x10	10
7	597 25 59-01	HEAT SINK		1
8	597 75 39-01	DRIVER	3x400V 11kW	1
8	593 55 98-01	FREQUENCY INVERTER	3x200V 11kW	1
9	544 29 13-02	SCREW ITPANM	M5x12 (inverter 11kW)	4
10	595 71 08-01	MOUNT	Plate for 60mm fan	1
11	595 74 44-01	FAN		1
12	732 21 14-01	LOCK NUT	M5	7
13	593 56 01-01	CIRCUIT BREAKER	2-P 5A	1
14	598 51 97-01	TERMINAL	Phoenix contact 3270220	1
15	598 51 98-01	TERMINAL	Phoenix contact 3270158	1
16	598 51 99-01	TERMINAL	Phoenix contact 3270152	1
17	598 68 94-01	TERMINAL	Ring terminal M8	1
18	595 74 74-01	POWER SUPPLY	24VDC 120W	1
19	598 52 63-01	SENSOR	Phase/Voltage Monitor 380-480V	1
19	598 53 88-01	SENSOR	Phase/Voltage Monitor 200-240V	1
20	598 53 84-01	CONTACT	Eaton DILM 50	1
21	593 55 94-01	CONTACTOR	380-480V	1
21	593 55 92-01	CONTACTOR	200-240V	1
22	593 55 99-01	FILTER	3x200-520V - 30A	1
22	593 56 00-01	FILTER	3x200V - 50A	1

Go to Discount-Equipment.com to order your parts

**Q** PG 830 S  
MISC SPARE PARTS



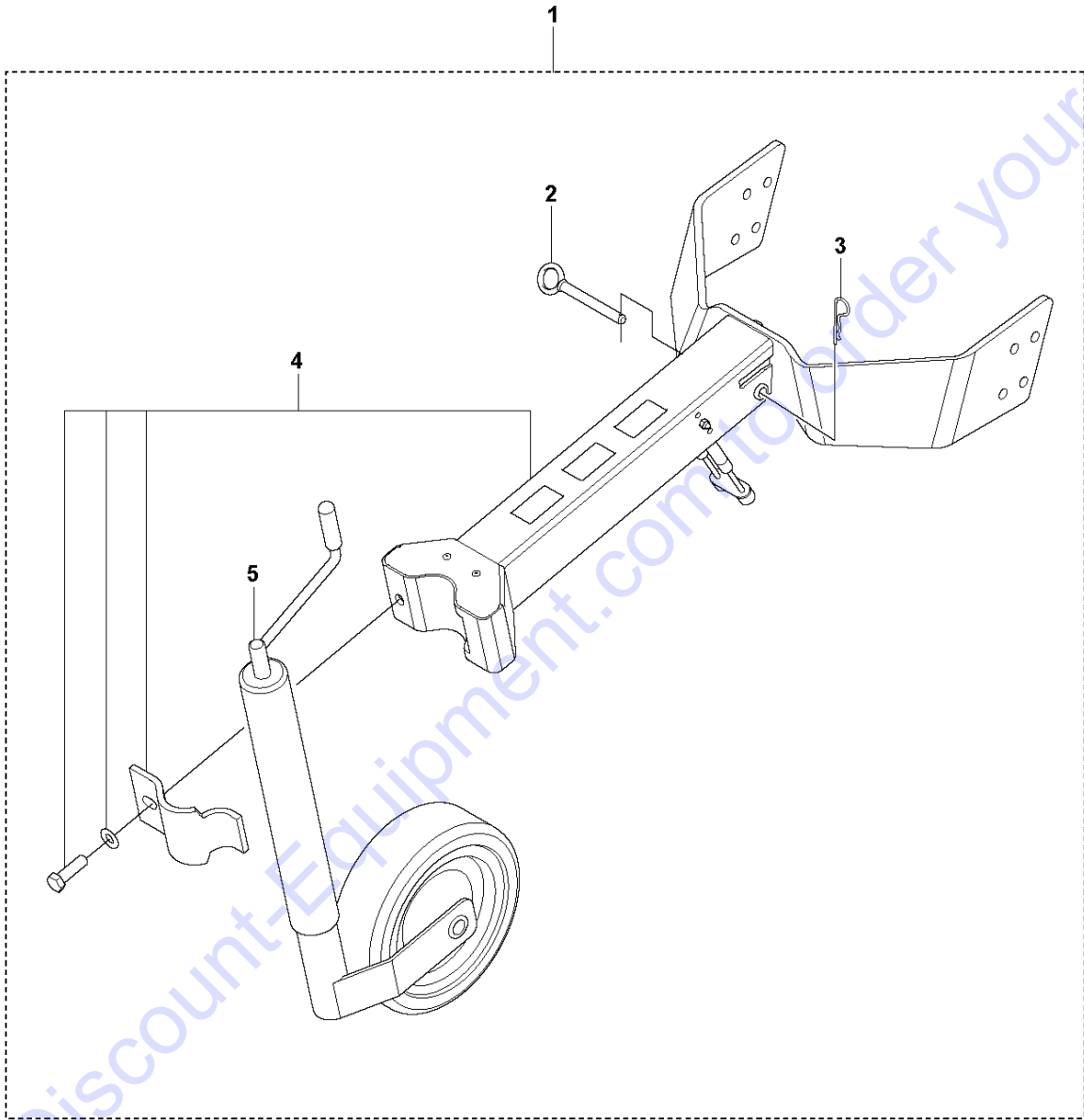
Go to Discount-Equipment.com to order your parts

Ref	Part No	Description	Remark	QTY KIT
1	598 76 53-01	GAS SPRING	Kit	1
2	599 69 00-01	HOSE KIT		1
3	593 53 67-01	STRAP	Vac hose guide assy	1

Go to [Discount-Equipment.com](http://Discount-Equipment.com) to order your parts



**R** PG 830 S  
SUPPORT WHEEL



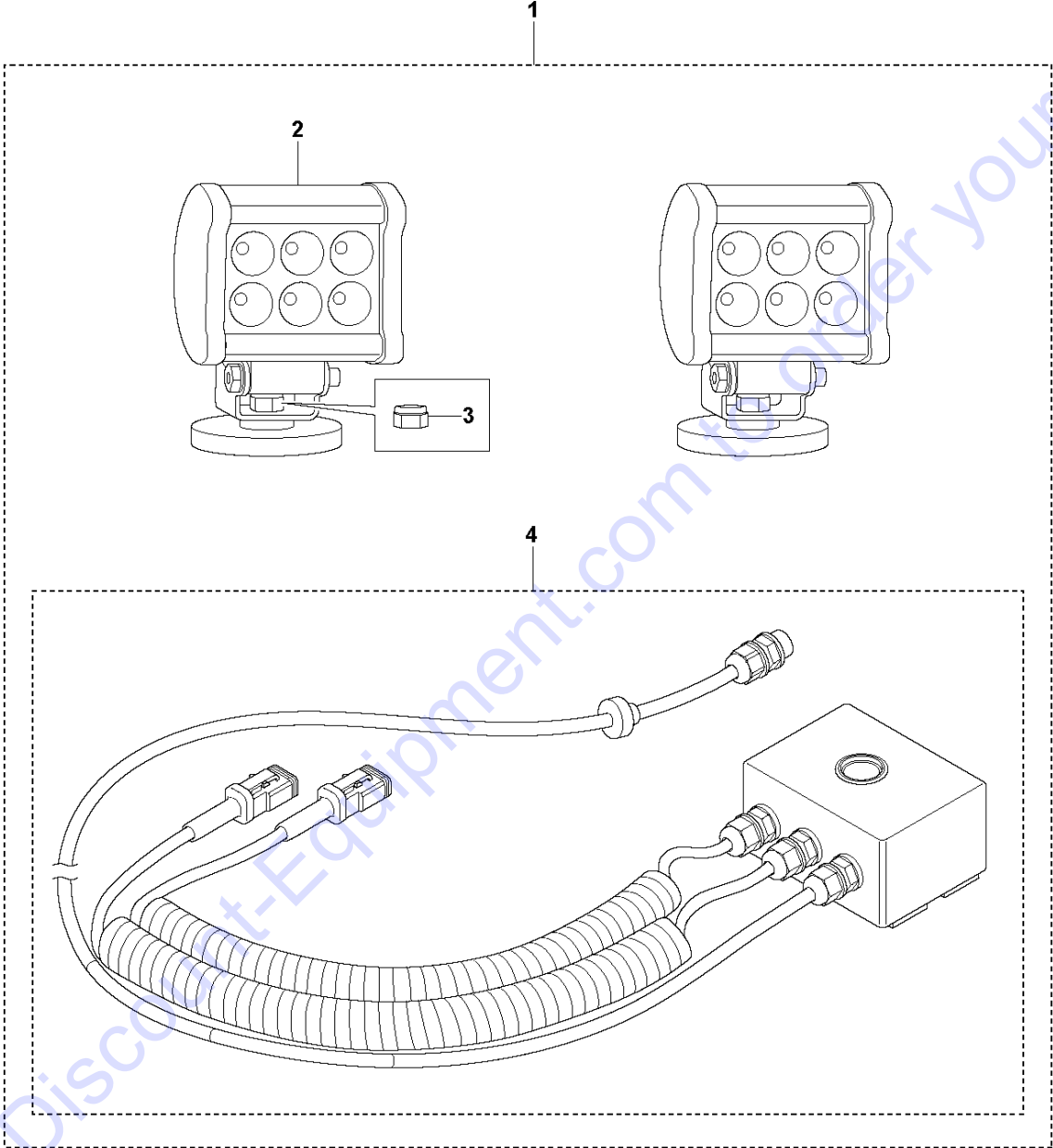
## SUPPORT WHEEL

PG 830 S, 2020-06

Ref	Part No	Description	Remark	QTY KIT
1	598 41 87-01	SUPPORT WHEEL		1
2	598 41 93-01	AXLE		1
3	721 68 02-51	SPRING COTTER		1
4	598 76 59-01	SUPPORT WHEEL	Arm, Holder and Gas Spring Kit	1
5	593 47 00-01	SUPPORT WHEEL		1

Go to [Discount-Equipment.com](https://Discount-Equipment.com) to order your parts

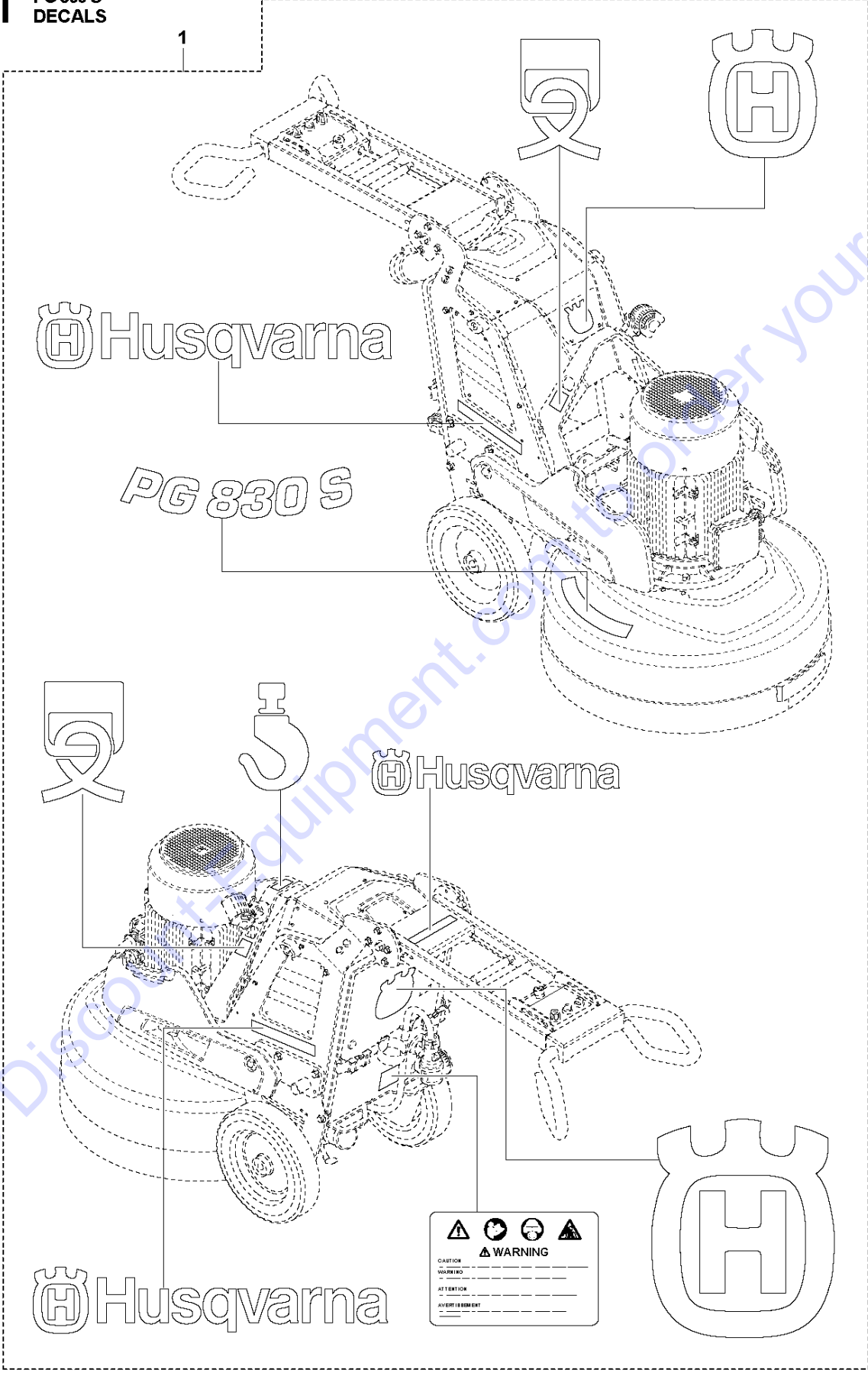
**S** PG 830 S  
LIGHT KIT



Ref	Part No	Description	Remark	QTY	KIT
1	597 92 52-01	LIGHT		1	
2	593 54 06-01	LIGHT		2	1
3	593 49 98-01	LOCK NUT		2	1
4	598 69 22-01	CABLE		1	1

Go to [Discount-Equipment.com](http://Discount-Equipment.com) to order your parts

**T** PG 830 S  
DECALS



Husqvarna

PG 830 S

Husqvarna

Husqvarna

⚠️ ⚠️ ⚠️ ⚠️  
**WARNING**  
CAUTION \_\_\_\_\_  
WARNING \_\_\_\_\_  
ATTENTION \_\_\_\_\_  
AVERTISSEMENT \_\_\_\_\_

Go to Discount Equipment. Call to Order your parts

Ref	Part No	Description	Remark	QTY KIT
1	599 65 56-05	DECAL KIT	PG 830S	1

Go to [Discount-Equipment.com](https://Discount-Equipment.com) to order your parts

# PARTS FINDER

**Search Website  
by Part Number**



**Search Manual  
Library For Parts  
Manual & Lookup Part  
Numbers – Purchase  
or Request Quote**

**Search Manuals**

Enter your information to help us find the right parts manual for your machine.

\* Brand:

\* Model:

\* Serial:

\* Part Number:

SEARCH

**Can't Find Part or  
Manual? Request Help  
by Manufacturer,  
Model & Description**

**Parts Order Form**

Please fill in the following information to help us find the right part for your machine.

Manufacturer:	<input type="text"/>
Model:	<input type="text"/>
Description:	<input type="text"/>
Part Number:	<input type="text"/>
Quantity:	<input type="text"/>
Notes:	<input type="text"/>

Discount-Equipment.com is your online resource for quality parts & equipment.

Florida: **561-964-4949** Outside Florida TOLL FREE: **877-690-3101**

**Need parts?**

Click on this link: <http://www.discount-equipment.com/category/5443-parts/> and choose one of the options to help get the right parts and equipment you are looking for. Please have the machine model and serial number available in order to help us get you the correct parts. If you don't find the part on the website or on one of the online manuals, please fill out the request form and one of our experienced staff members will get back to you with a quote for the right part that your machine needs.

We sell worldwide for the brands: Genie, Terex, JLG, MultiQuip, Mikasa, Essick, Whiteman, Mayco, Toro Stone, Diamond Products, Generac Magnum, Airman, Haulotte, Barreto, Power Blanket, Nifty Lift, Atlas Copco, Chicago Pneumatic, Allmand, Miller Curber, Skyjack, Lull, Skytrak, Tsurumi, Husquvarna Target, Stow, Wacker, Sakai, Mi-T-M, Sullair, Basic, Dynapac, MBW, Weber, Bartell, Bennar Newman, Haulotte, Ditch Runner, Menegotti, Morrison, Contec, Buddy, Crown, Edco, Wyco, Bomag, Laymor, EZ Trench, Bil-Jax, F.S. Curtis, Gehl Pavers, Heli, Honda, ICS/PowerGrit, IHI, Partner, Imer, Clipper, MMD, Koshin, Rice, CH&E, General Equipment, Amida, Coleman, NAC, Gradall, Square Shooter, Kent, Stanley, Tamco, Toku, Hatz, Kohler, Robin, Wisconsin, Northrock, Oztec, Toker TK, Rol-Air, APT, Wylie, Ingersoll Rand / Doosan, Innovatech, Con X, Ammann, Mecalac, Makinex, Smith Surface Prep, Small Line, Wanco, Yanmar