



SPARE PARTS LIST

EARLY ENTRY SAWS

SOFF CUT 150 E, 2020-01

Go to Discount-Equipment.com to order your parts



PARTS FINDER

**Search Website
by Part Number**



**Search Manual
Library For Parts
Manual & Lookup Part
Numbers – Purchase
or Request Quote**

Search Manuals

Enter your information to help us find the right parts manual for your machine.

* Brand:

* Model:

* Serial:

* Part Number:

SEARCH

**Can't Find Part or
Manual? Request Help
by Manufacturer,
Model & Description**

Parts Order Form

Please fill in the following information to help us find the right part for your machine.

Manufacturer:	<input type="text"/>
Model:	<input type="text"/>
Description:	<input type="text"/>
Part Number:	<input type="text"/>
Quantity:	<input type="text"/>
Notes:	<input type="text"/>

Submit

Discount-Equipment.com is your online resource for quality parts & equipment.

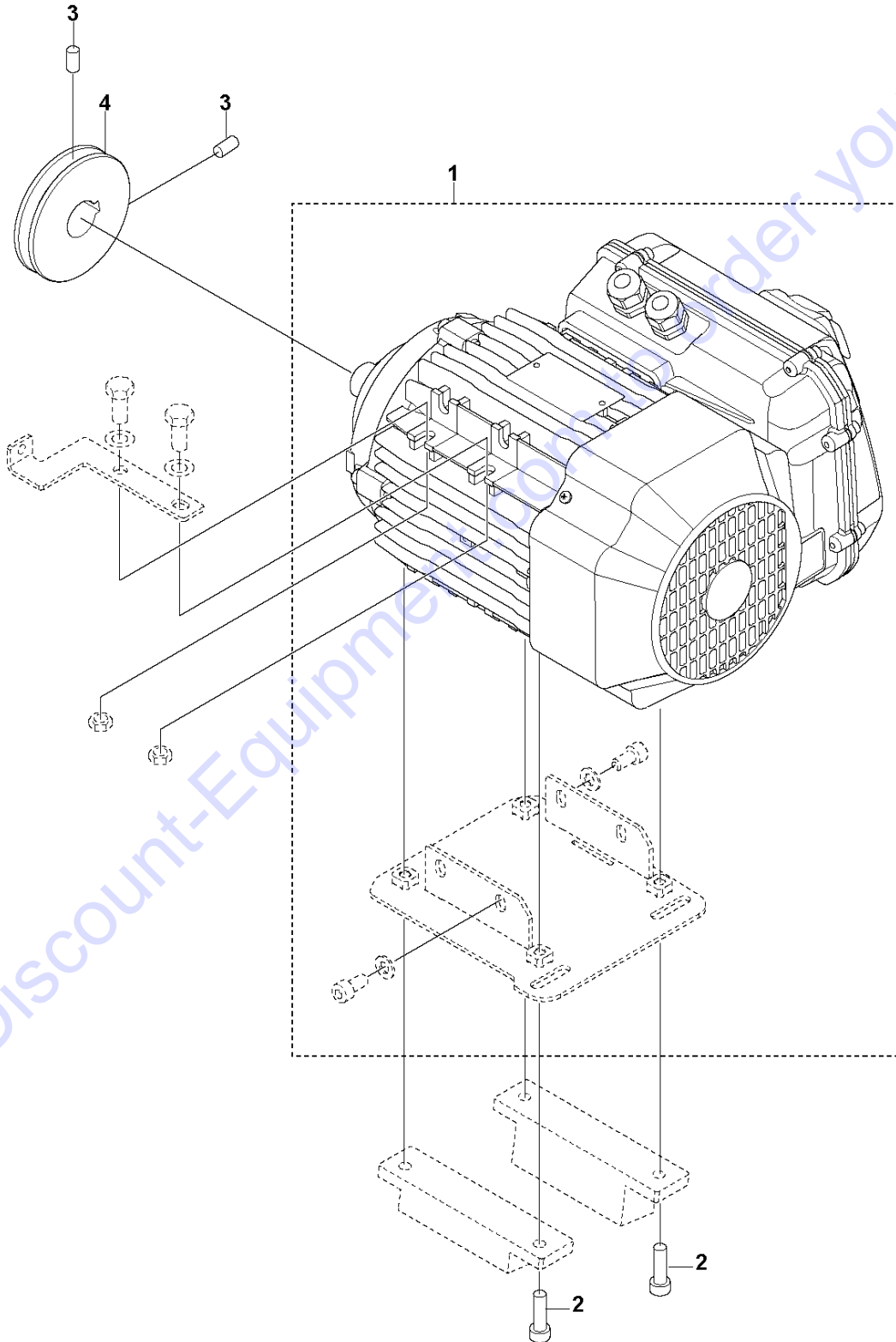
Florida: **561-964-4949** Outside Florida TOLL FREE: **877-690-3101**

Need parts?

Click on this link: <http://www.discount-equipment.com/category/5443-parts/> and choose one of the options to help get the right parts and equipment you are looking for. Please have the machine model and serial number available in order to help us get you the correct parts. If you don't find the part on the website or on one of the online manuals, please fill out the request form and one of our experienced staff members will get back to you with a quote for the right part that your machine needs.

We sell worldwide for the brands: Genie, Terex, JLG, MultiQuip, Mikasa, Essick, Whiteman, Mayco, Toro Stone, Diamond Products, Generac Magnum, Airman, Haulotte, Barreto, Power Blanket, Nifty Lift, Atlas Copco, Chicago Pneumatic, Allmand, Miller Curber, Skyjack, Lull, Skytrak, Tsurumi, Husquvarna Target, Stow, Wacker, Sakai, Mi-T-M, Sullair, Basic, Dynapac, MBW, Weber, Bartell, Bennar Newman, Haulotte, Ditch Runner, Menegotti, Morrison, Contec, Buddy, Crown, Edco, Wyco, Bomag, Laymor, EZ Trench, Bil-Jax, F.S. Curtis, Gehl Pavers, Heli, Honda, ICS/PowerGrit, IHI, Partner, Imer, Clipper, MMD, Koshin, Rice, CH&E, General Equipment, Amida, Coleman, NAC, Gradall, Square Shooter, Kent, Stanley, Tamco, Toku, Hatz, Kohler, Robin, Wisconsin, Northrock, Oztec, Toker TK, Rol-Air, APT, Wylie, Ingersoll Rand / Doosan, Innovatech, Con X, Ammann, Mecalac, Makinex, Smith Surface Prep, Small Line, Wanco, Yanmar

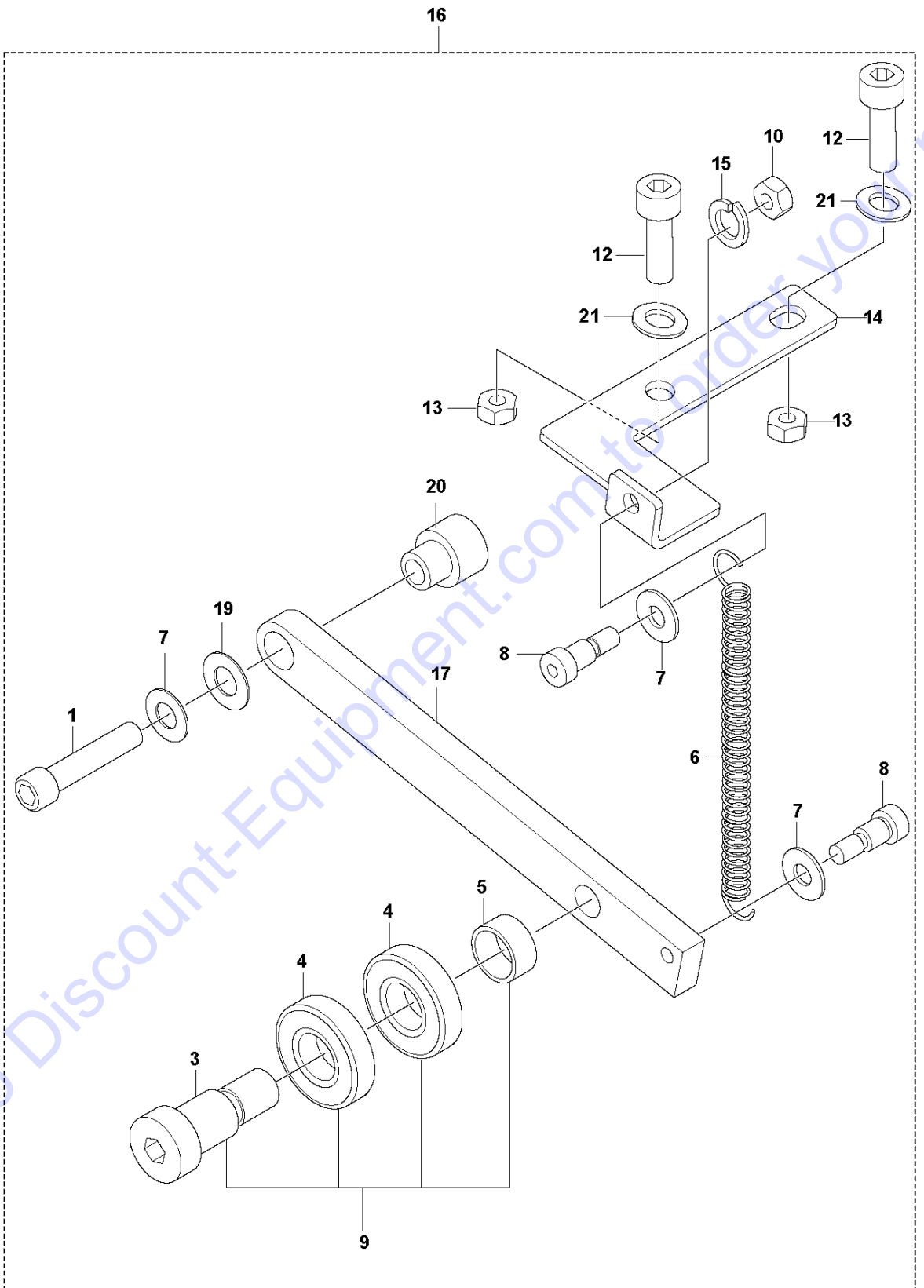
A SOFF-CUT 150 E
MOTOR



Ref	Part No	Description	Remark	QTY KIT
1	597 43 94-01	MOTOR		1
2	725 54 51-01	SCREW IHSCM		4
3	728 84 47-05	SCREW IHSETM		2
4	597 11 37-01	PULLEY		1

Go to Discount-Equipment.com to order your parts

B SOFF-CUT 150 E
BELT



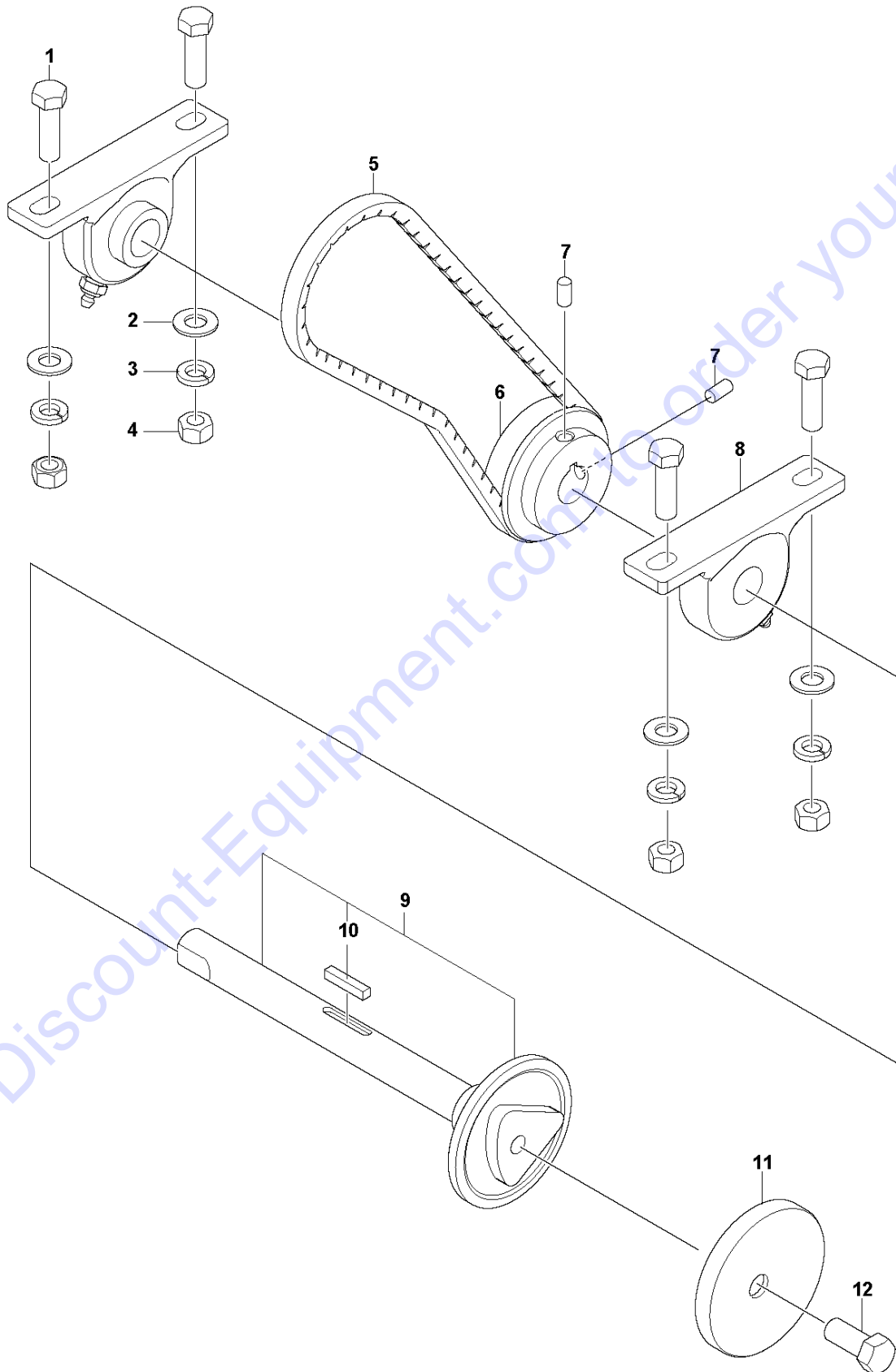
BELT

SOFF CUT 150 E, 2020-01

Ref	Part No	Description	Remark	QTY	KIT
1	505 59 19-01	BOLT		1	16
3	582 37 08-01	SCREW		1	16,9
4	505 73 60-01	PULLEY		2	16,9
5	582 37 07-01	SPACER		1	16,9
6	505 73 79-01	SPRING		1	16
7	505 72 52-01	WASHER		3	16
8	505 72 65-01	BOLT		2	16
9	582 66 95-01	TENSIONER		1	16
10	505 63 19-01	NUT		1	16
12	725 54 49-01	SCREW IHSCM		2	16
13	731 23 18-01	HEXAGON NUT		2	16
14	597 11 33-01	BRACKET		1	16
15	505 63 28-01	WASHER		1	16
16	597 80 16-01	BELT TENSIONER		1	16
17	597 11 38-01	ARM		1	16
19	505 63 45-01	WASHER		1	16
20	505 58 90-01	SPACER		1	16
21	734 11 63-01	WASHER		2	16

Go to Discount-Equipment.com to order your parts

C SOFF-CUT 150 E
BLADE SHAFT



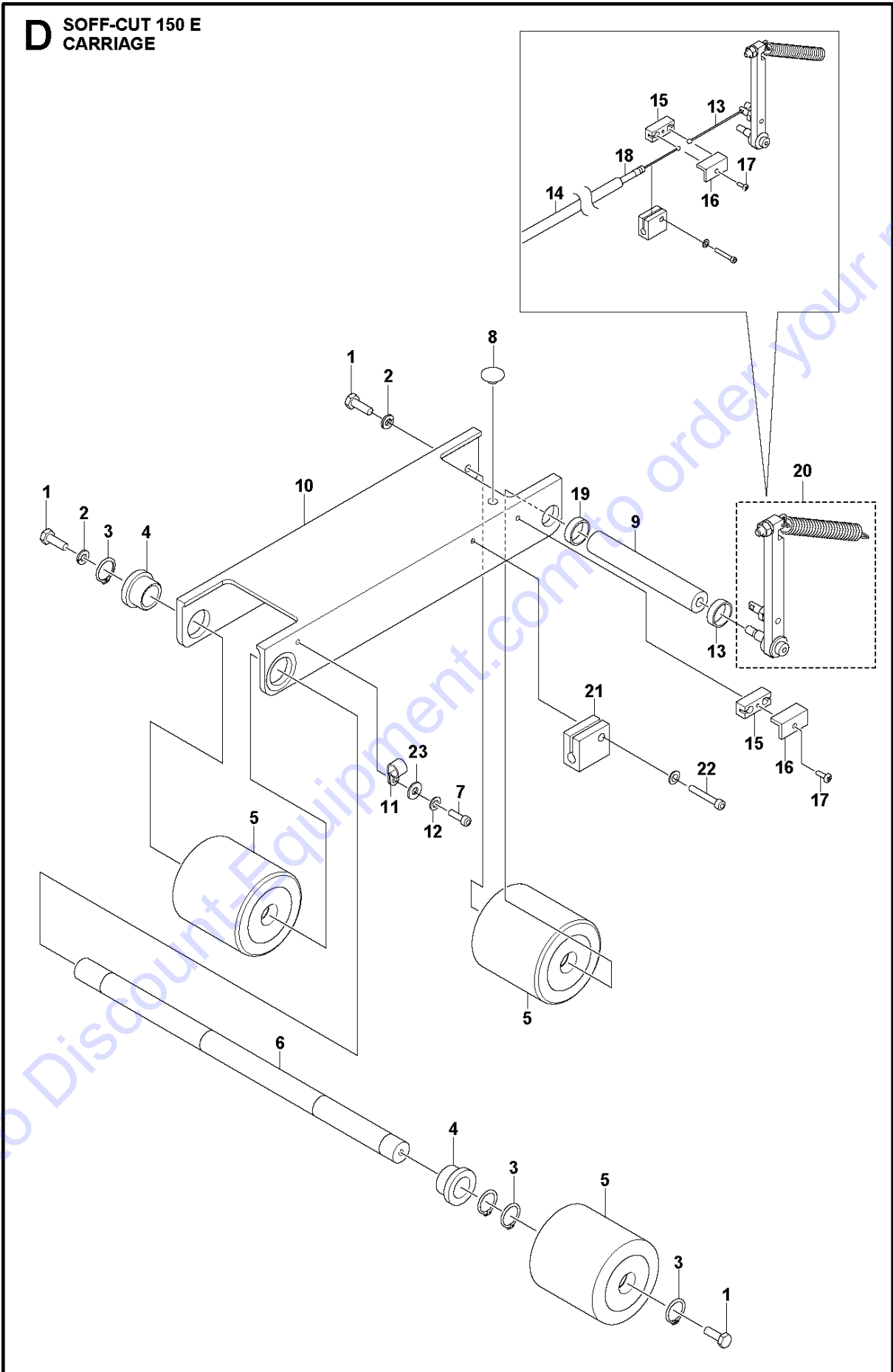
BLADE SHAFT

SOFF CUT 150 E, 2020-01

Ref	Part No	Description	Remark	QTY	KIT
1	505 72 76-01	BOLT		4	
2	505 72 46-01	FLAT WASH 3/8 STL CAD		4	
3	505 73 10-01	WASHER		4	
4	505 73 21-01	NUT		4	
5	597 11 43-01	V-BELT		1	
6	579 79 45-01	SHEAVE		1	
7	728 84 47-05	SCREW IHSETM		2	
8	505 59 20-01	BEARING UNIT		2	
9	505 58 84-01	BLADE SHAFT		1	
10	597 98 56-01	KEY		1	9
11	505 49 15-02	WASHER		1	
12	505 57 34-01	BOLT		1	

Go to Discount-Equipment.com to order your parts

D SOFF-CUT 150 E
CARRIAGE



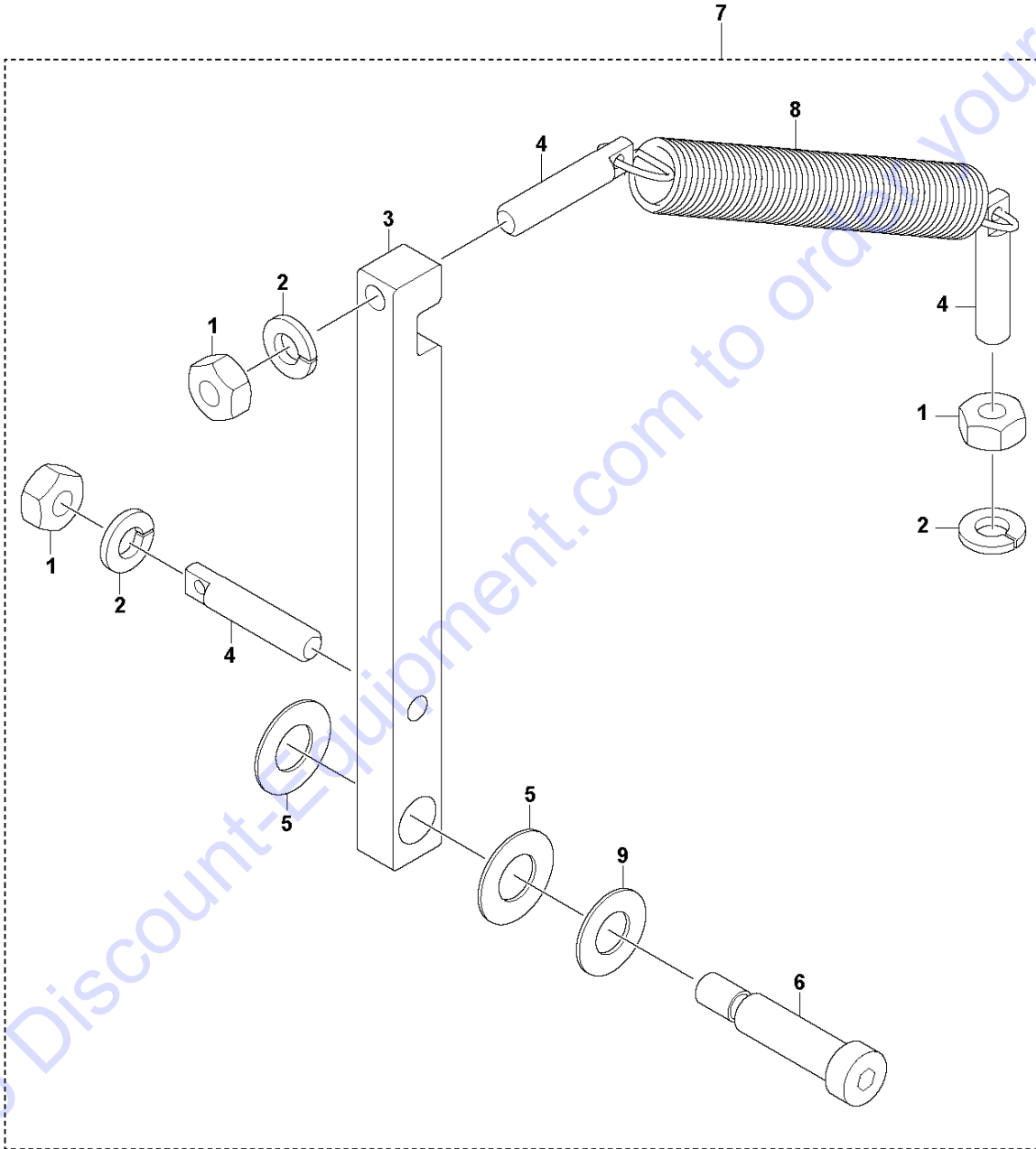
CARRIAGE

SOFF CUT 150 E, 2020-01

Ref	Part No	Description	Remark	QTY KIT
1	505 62 75-01	BOLT		3
2	505 63 28-01	WASHER		2
3	505 73 35-01	SNAP RING		4
4	505 58 69-01	BUSHING		2
5	505 59 29-01	WHEEL		3
6	505 58 67-01	REAR AXLE		1
7	505 72 97-01	BOLT		4
8	505 62 53-01	BUTTON		1
9	505 58 81-01	FRONT AXLE SYSTEM		1
10	505 58 68-01	FRAME		1
11	599 35 41-01	CABLE CLAMP		2
12	505 63 53-01	WASHER		4
13	599 39 18-01	WIRE		1
14	599 35 42-01	HOSE		1
15	599 35 64-01	LINKAGE		1
16	599 36 42-01	LID		1
17	729 53 40-01	SCREW CCRPANT		1
18	599 39 18-01	WIRE		1
19	505 58 89-01	SPACER		2
20	597 90 57-01	ARM		1
21	599 35 52-01	BRACKET		1
22	505 59 14-01	BOLT		1
23	505 63 31-01	WASHER		1

Go to Discount-Equipment.com to order your parts

E SOFF-CUT 150 E
BLADE RELEASE ARM



Go to Discount-Equipment.com to order your parts

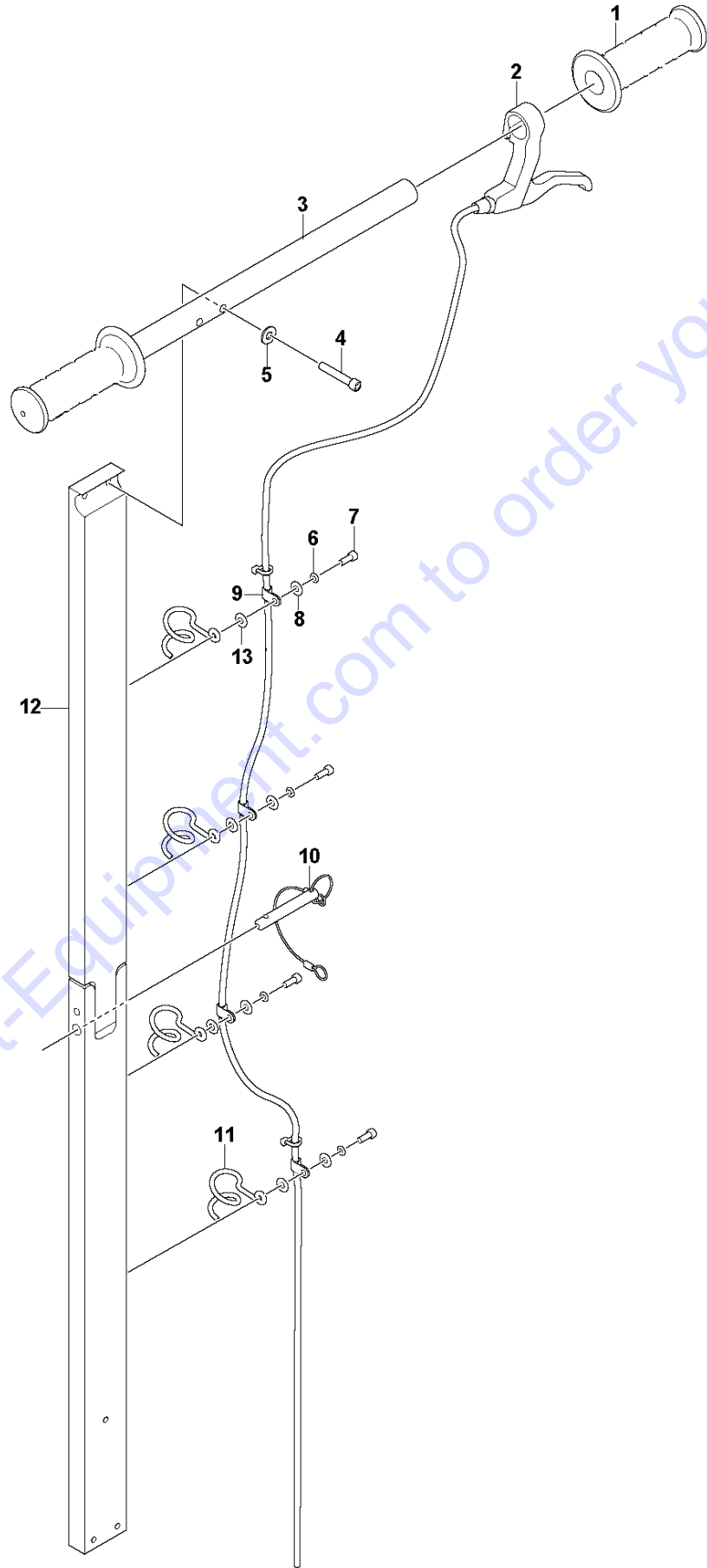
BLADE RELEASE ARM

SOFF CUT 150 E, 2020-01

Ref	Part No	Description	Remark	QTY	KIT
1	505 63 19-01	NUT		3	7
2	505 63 28-01	WASHER		3	7
3	505 58 70-01	LEVER		1	7
4	505 77 45-01	ANCHOR		3	7
5	505 63 45-01	WASHER		2	7
6	505 72 67-01	BOLT		1	7
7	597 90 57-01	ARM		1	
8	505 73 79-01	SPRING		1	7
9	505 72 52-01	WASHER		1	7

Go to Discount-Equipment.com to order your parts

F SOFFCUT 150E
HANDLE



Go to Discount-Equipment.com to order your parts

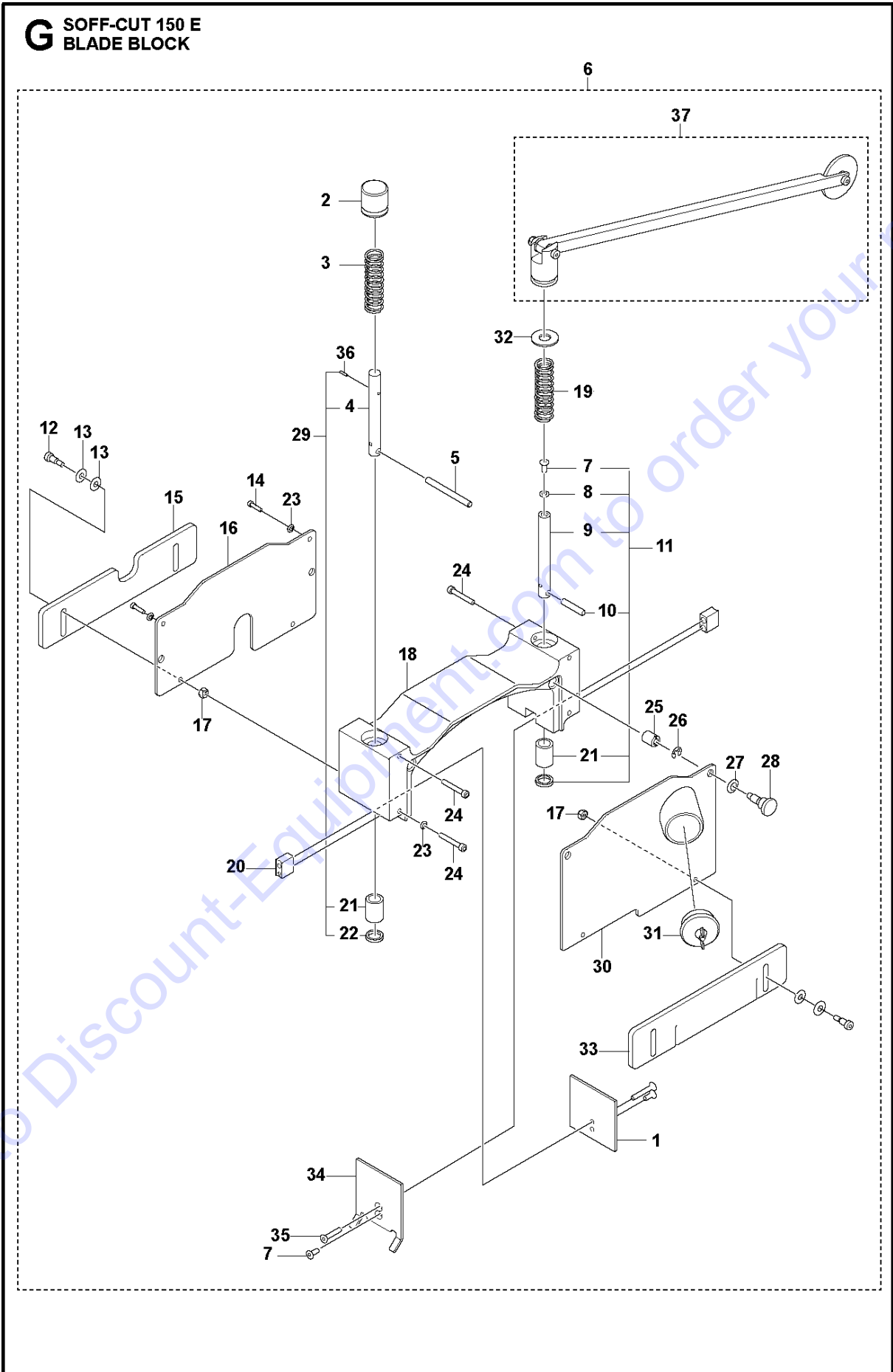
HANDLE

SOFF CUT 150 E, 2020-01

Ref	Part No	Description	Remark	QTY KIT
1	597 54 30-01	HANDLE		2
2	599 37 55-01	LEVER		1
3	592 73 77-01	HANDLE		1
4	505 72 88-01	BOLT		2
5	505 63 20-01	WASHER		2
6	505 63 31-01	WASHER		1
7	598 44 93-01	SCREW		4
8	505 63 53-01	WASHER		4
9	599 35 41-01	CABLE CLAMP		4
10	574 71 98-01	KIT		1
11	598 49 41-01	BRACKET		1
12	597 25 01-01	HANDLE		1
13	505 63 53-01	WASHER		1

Go to Discount-Equipment.com to order your parts

G SOFF-CUT 150 E
BLADE BLOCK



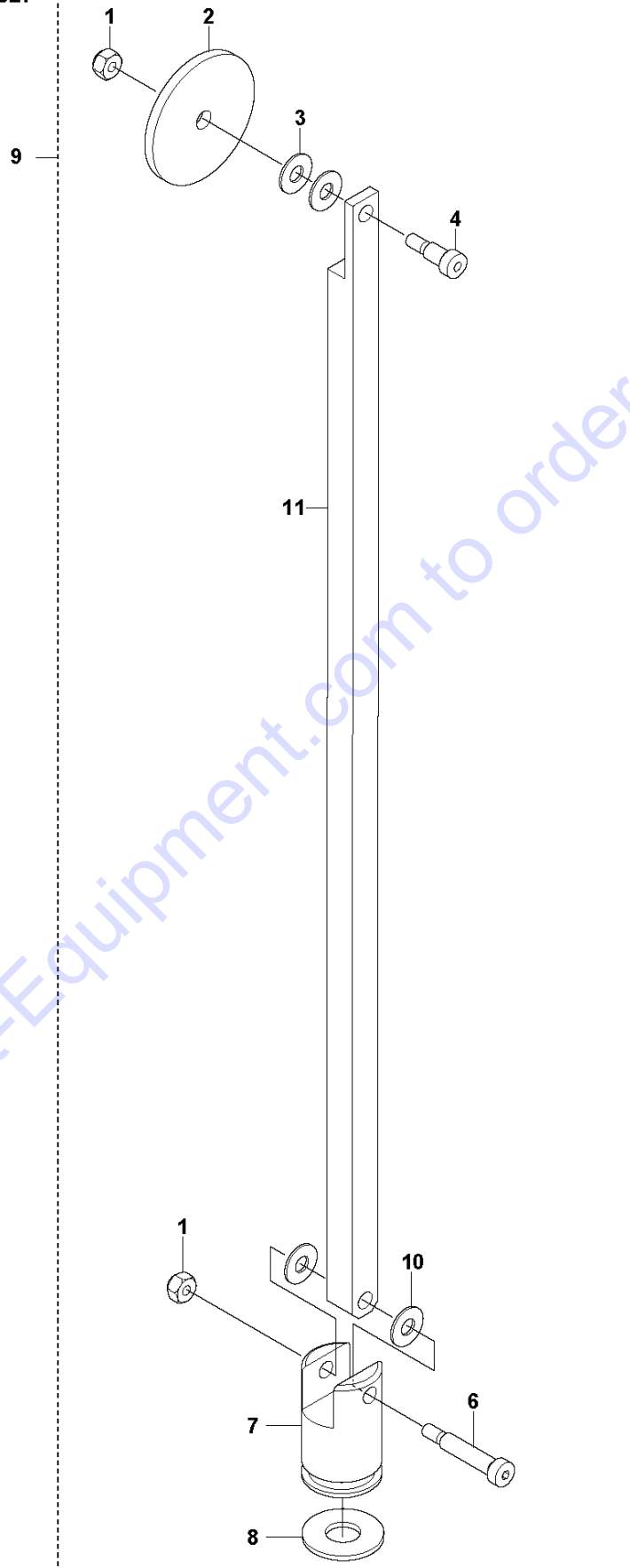
BLADE BLOCK

SOFF CUT 150 E, 2020-01

Ref	Part No	Description	Remark	QTY	KIT
1	505 58 77-01	PLATE		1	
2	505 58 86-01	CAP		1	
3	505 59 30-01	SPRING		1	
4	505 58 85-01	REAR AXLE		1	29
5	587 91 82-01	PIN		1	
6	599 89 45-01	BLADE BLOCK		1	
7	505 72 99-01	SCREW		3	11
8	595 27 50-01	PLATE		1	11
9	505 58 82-01	FRONT AXLE ASSY		1	11
10	505 77 40-01	PIN		1	11
11	505 87 61-01	FRONT AXLE ASSY		1	
12	505 68 64-01	BOLT		3	
13	505 63 44-01	WASHER		8	
14	505 72 97-01	BOLT		3	
15	505 58 79-01	INNER PLATE		1	
16	505 58 76-01	REAR COVER		1	
17	505 63 04-01	NUT		2	
18	505 58 78-01	BLADE		1	
19	505 59 31-01	SPRING		1	
20	505 58 88-01	SPACER		2	
21	505 59 34-01	BUSHING		2	29, 11
22	505 59 35-01	DUST SEAL		2	29, 11
23	505 63 31-01	WASHER		4	
24	505 59 14-01	BOLT		5	
25	505 74 83-01	INSERT		2	
26	505 53 65-01	E-CLIP		2	
27	505 53 64-01	WASHER		2	
28	505 53 63-01	KNOB		1	
29	505 87 62-01	REAR AXLE		1	
30	589 41 99-01	COVER		1	
31	593 68 20-01	PLUG		1	
32	589 77 25-01	GASKET		1	
33	505 58 80-01	BRACKET		1	
34	597 86 50-01	PLATE		1	
35	510 32 55-01	SCREW		2	
36	505 59 27-01	PIN		1	
37	582 67 35-01	POINTER		1	

Go to Discount-Equipment.com to order your parts

H SOFF-CUT 150 E
GUIDE ARM ASSEMBLY

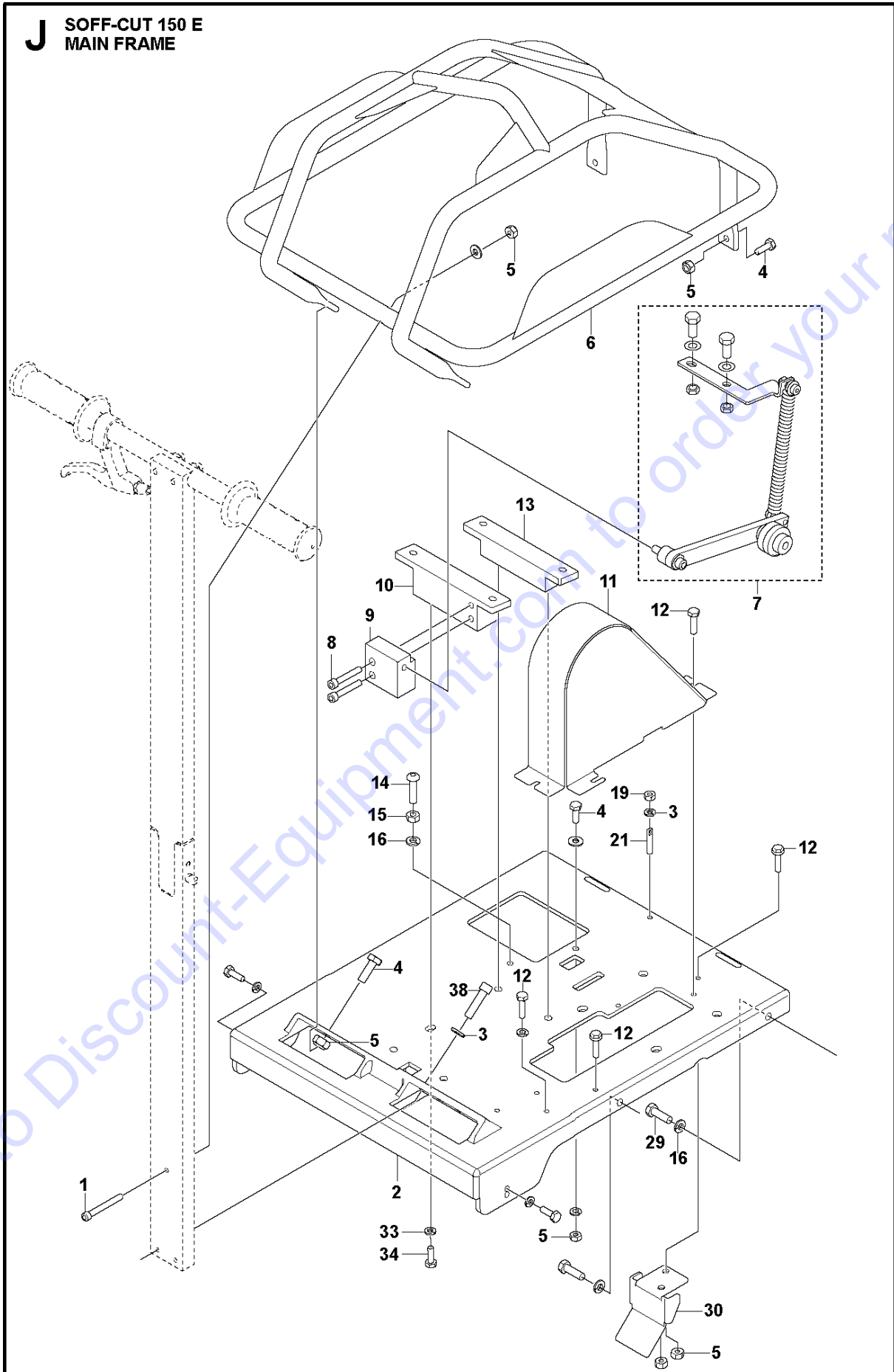


Go to Discount-Equipment.com to order your parts

Ref	Part No	Description	Remark	QTY KIT
1	505 63 04-01	NUT		4
2	505 61 42-01	DISC		1
3	505 63 44-01	WASHER		2
4	505 68 64-01	BOLT		2
6	505 72 59-01	BOLT		1
7	582 65 38-01	CAP		1
8	589 77 25-01	GASKET		1
9	582 67 35-01	POINTER		1
10	505 63 20-01	WASHER		2
11	582 66 46-01	GUIDE BAR		1

Go to Discount-Equipment.com to order your parts

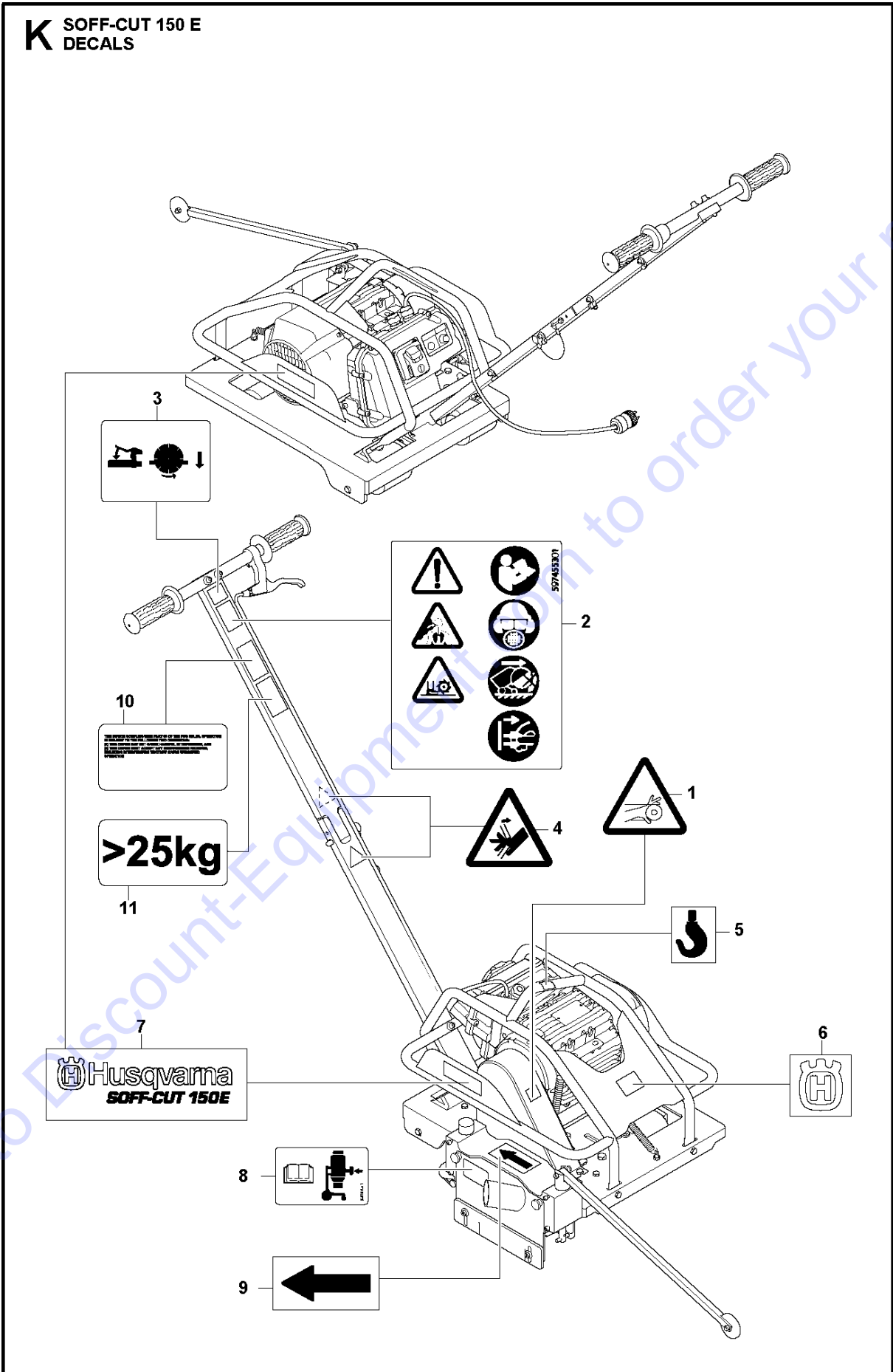
J SOFF-CUT 150 E
MAIN FRAME



Ref	Part No	Description	Remark	QTY KIT
1	505 72 89-01	BOLT		1
2	597 18 00-01	BASEPLATE		1
3	505 63 20-01	WASHER		3
4	505 62 75-01	BOLT		4
5	505 63 05-01	NYLOC NUT 1/4-20 CAD PL.		9
6	597 17 91-01	GUARD		1
7	597 80 16-01	BELT TENSIONER		1
8	585 35 83-01	SCREW IHSCM		2
9	597 11 27-01	BRACKET		1
10	597 11 26-01	BRACKET		1
11	597 11 46-01	BELT GUARD		1
12	582 63 92-01	SCREW		5
13	597 11 24-01	BRACKET		1
14	522 44 26-01	BOLT		1
15	541 20 47-80	WASHER		4
16	539 99 07-17	NUT		4
19	505 63 19-01	NUT		1
21	505 77 45-01	ANCHOR		1
29	539 99 02-09	SCREW		2
30	505 58 95-01	COVER		1
33	734 11 63-01	WASHER		4
34	725 24 51-71	SCREW EHHM		4
38	505 72 88-01	BOLT		2

Go to Discount-Equipment.com to order your parts

K SOFF-CUT 150 E
DECALS



Go to Discount-Equipment.com to order your parts

DECALS

SOFF CUT 150 E, 2020-01

Ref	Part No	Description	Remark	QTY KIT
1	596 99 06-01	DECAL		1
2	597 45 53-01	DECAL		1
3	582 18 54-01	DECAL		1
4	595 08 41-01	DECAL		2
5	590 82 16-01	DECAL		1
6	576 97 34-01	DECAL		1
7	597 42 50-01	DECAL		1
8	597 02 69-01	DECAL		2
9	597 02 69-01	DECAL		1
10	598 95 93-01	DECAL		1
11	599 70 69-01	DECAL		1

Go to Discount-Equipment.com to order your parts

PARTS FINDER

**Search Website
by Part Number**



**Search Manual
Library For Parts
Manual & Lookup Part
Numbers – Purchase
or Request Quote**

Search Manuals

Enter your information to help us find the right parts manual for your machine.

* Brand:

* Model:

* Serial:

* Part Number:

SEARCH

**Can't Find Part or
Manual? Request Help
by Manufacturer,
Model & Description**

Parts Order Form

Please fill in the following information to help us find the right part for your machine.

Manufacturer:	<input type="text"/>
Model:	<input type="text"/>
Description:	<input type="text"/>
Part Number:	<input type="text"/>
Quantity:	<input type="text"/>
Notes:	<input type="text"/>

Submit

Discount-Equipment.com is your online resource for quality parts & equipment.

Florida: **561-964-4949** Outside Florida TOLL FREE: **877-690-3101**

Need parts?

Click on this link: <http://www.discount-equipment.com/category/5443-parts/> and choose one of the options to help get the right parts and equipment you are looking for. Please have the machine model and serial number available in order to help us get you the correct parts. If you don't find the part on the website or on one of the online manuals, please fill out the request form and one of our experienced staff members will get back to you with a quote for the right part that your machine needs.

We sell worldwide for the brands: Genie, Terex, JLG, MultiQuip, Mikasa, Essick, Whiteman, Mayco, Toro Stone, Diamond Products, Generac Magnum, Airman, Haulotte, Barreto, Power Blanket, Nifty Lift, Atlas Copco, Chicago Pneumatic, Allmand, Miller Curber, Skyjack, Lull, Skytrak, Tsurumi, Husquvarna Target, Stow, Wacker, Sakai, Mi-T-M, Sullair, Basic, Dynapac, MBW, Weber, Bartell, Bennar Newman, Haulotte, Ditch Runner, Menegotti, Morrison, Contec, Buddy, Crown, Edco, Wyco, Bomag, Laymor, EZ Trench, Bil-Jax, F.S. Curtis, Gehl Pavers, Heli, Honda, ICS/PowerGrit, IHI, Partner, Imer, Clipper, MMD, Koshin, Rice, CH&E, General Equipment, Amida, Coleman, NAC, Gradall, Square Shooter, Kent, Stanley, Tamco, Toku, Hatz, Kohler, Robin, Wisconsin, Northrock, Oztec, Toker TK, Rol-Air, APT, Wylie, Ingersoll Rand / Doosan, Innovatech, Con X, Ammann, Mecalac, Makinex, Smith Surface Prep, Small Line, Wanco, Yanmar