

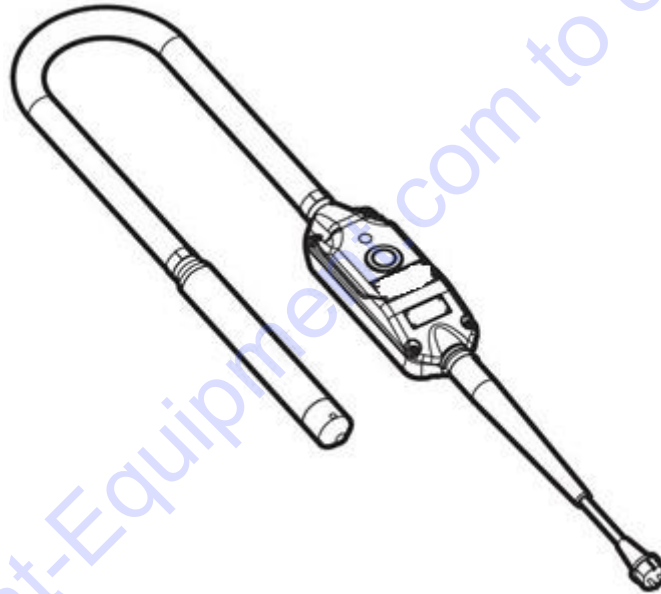
# **SMART 40,48,56,65,28E,40E,48E,56E**

---

## **Spare parts list**

### **Poker with built-in Frequency Converter**

SMART 40,48,56,65,28E,40E,48E,56E



# PARTS FINDER

**Search Website  
by Part Number**



**Search Manual  
Library For Parts  
Manual & Lookup Part  
Numbers – Purchase  
or Request Quote**

**Can't Find Part or  
Manual? Request Help  
by Manufacturer,  
Model & Description**

Discount-Equipment.com is your online resource for quality parts & equipment.

Florida: **561-964-4949** Outside Florida TOLL FREE: **877-690-3101**

**Need parts?**

Click on this link: <http://www.discount-equipment.com/category/5443-parts/> and choose one of the options to help get the right parts and equipment you are looking for. Please have the machine model and serial number available in order to help us get you the correct parts. If you don't find the part on the website or on one of the online manuals, please fill out the request form and one of our experienced staff members will get back to you with a quote for the right part that your machine needs.

We sell worldwide for the brands: Genie, Terex, JLG, MultiQuip, Mikasa, Essick, Whiteman, Mayco, Toro Stone, Diamond Products, Generac Magnum, Airman, Haulotte, Barreto, Power Blanket, Nifty Lift, Atlas Copco, Chicago Pneumatic, Allmand, Miller Curber, Skyjack, Lull, Skytrak, Tsurumi, Husquvarna Target, Stow, Wacker, Sakai, Mi-T-M, Sullair, Basic, Dynapac, MBW, Weber, Bartell, Bennar Newman, Haulotte, Ditch Runner, Menegotti, Morrison, Contec, Buddy, Crown, Edco, Wyco, Bomag, Laymor, EZ Trench, Bil-Jax, F.S. Curtis, Gehl Pavers, Heli, Honda, ICS/PowerGrit, IHI, Partner, Imer, Clipper, MMD, Koshin, Rice, CH&E, General Equipment, Amida, Coleman, NAC, Gradall, Square Shooter, Kent, Stanley, Tamco, Toku, Hatz, Kohler, Robin, Wisconsin, Northrock, Oztec, Toker TK, Rol-Air, APT, Wylie, Ingersoll Rand / Doosan, Innovatech, Con X, Ammann, Mecalac, Makinex, Smith Surface Prep, Small Line, Wanco, Yanmar

## General information

This spare parts list applies to the following:

Part number	Description
967855801	POKERS Smart 40 *
967855802	POKERS Smart 40 115 V   1-Phase   50/60 Hz   UK
967855803	POKERS Smart 40 230 V   1-Phase   50/60 Hz
967855805	POKERS Smart 40 115 V   1-Phase   50/60 Hz   UK
967855901	POKERS Smart 48 *
967855902	POKERS Smart 48 230 V   1-Phase   50/60 Hz   10 M Hose
967855903	POKERS Smart 48 230 V   1-Phase   50/60 Hz   8 M Hose
967855904	POKERS Smart 48 115 V   1-Phase   50/60 Hz   UK
967855905	POKERS Smart 48 230 V   1-Phase   50/60 Hz
967940205	POKERS Smart 48 115 V   1-Phase   0/60 Hz   CETLUS   US
967856002	POKERS Smart 56 230 V   1-Phase   50/60 Hz   8 M Hose
967856003	POKERS Smart 56 115 V   1-Phase   50/60 Hz   UK
967856004	POKERS Smart 56 230 V   1-Phase   50/60 Hz
967856005	POKERS Smart 56 230 V   1-Phase   50/60 Hz   10 M Hose
967938801	POKERS Smart 65 230 V   1-Phase   50/60 Hz
967947401	POKERS Smart 28 E 230V   1-Phase   50/60HZ
967855804	POKERS Smart 40 E 230 V   1-Phase   50/60 Hz
967941301	POKERS Smart 40 E 230 V   1-Phase   50/60 Hz *
967941302	POKERS Smart 40 E 230 V   1-Phase   50/60 Hz *
967940201	POKERS Smart 48 E 115 V   1-Phase   50/60 Hz   UK
967940202	POKERS Smart 48 E 230 V   1-Phase   50/60 Hz *
967940203	POKERS Smart 48 E 230 V   1-Phase   50/60 Hz *
967940301	POKERS Smart 56 E 115 V   1-Phase   50/60 Hz   UK
967940302	POKERS Smart 56 E 230 V   1-Phase   50/60 Hz *
967855806	POKERS Smart 40 115 V   1-Phase   50/60 Hz   CETLUS
967856001	POKERS Smart 56 115 V   1-Phase   50/60 Hz
967856006	POKERS Smart 56 115 V   1-Phase   50/60 Hz   CETLUS
967940204	POKERS Smart 48 E 230 V   1-Phase   50/60 Hz
967940303	POKERS Smart 56 E 230 V   1-Phase   50/60 Hz

Use only authorized parts. Any damage or malfunction caused by the use of unauthorized parts is not covered by Warranty or Product Liability.

Any unauthorized use or copying of the contents or any part thereof is prohibited. This applies in particular to trademarks, model denominations, part numbers, and drawings.

### Instructions for use

This spare parts list contains no safety regulations and is merely intended to assist in the ordering of spare parts.

For information about operating, servicing, or repairing, the relevant Safety and operating instructions must be consulted at all costs.

Please observe the safety instructions listed in the relevant Safety and operating instructions!

**Spare parts list**

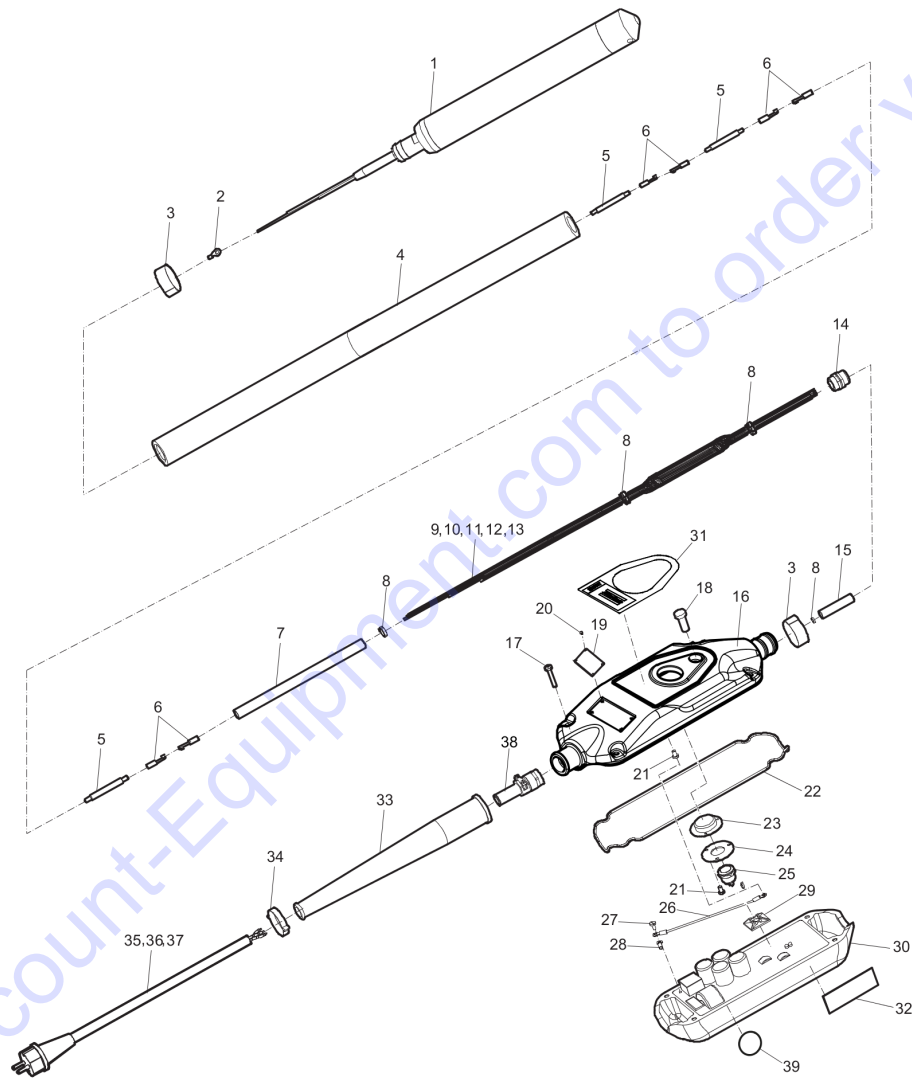
SMART40 to 65	1
SMART28E to 56E	4
Vibrating elements list	8
Vibrating element for 28E	11
Vibrating elements for 40 and 40E	13
Vibrating elements for 48 and 48E	15
Vibrating elements for 56 and 56E	17
Vibrating element for 65	19

**Kits**

SMART 230 V - Electronic convertor with cable kit	21
SMART - Electronic convertor without cable kit	23
SMART-E 230 V - Electronic convertor with cable kit	25
SMART-E - Electronic convertor without cable kit	27
28E to 56E - Handle kit	29

Go to [Discount-Equipment.com](http://Discount-Equipment.com) to order your parts

Spare parts list SMART40 to 65



Refer to the Parts Online web page for most up-to-date information. The printed information might be outdated.

Item	Part No.	Name	Qty	L
1	-	Vibrating element	1	A
2	594794701	Ring lug 1.5mm <sup>2</sup> x dia.3.2mm	1	
3	594281701	Clamp	2	
4	594388401	Hose	1	B
5	594257501	Thermo insulating	3	
6	595118501	Splicing sleeve	3	
7	594254901	Hose	1	C
8	594286401	Clamp	7	
9	594287701	Wire	1	D
10	595196601	Wire	1	E
11	594527801	Wire	1	F
12	594285901	Wire	1	G
13	595196701	Wire	1	H
14	594408801	Stuffing box	1	
15	594257101	Protective hose, 0.08 m , 3.1 in., Sold per meter.	1	I
16	594623001	Cover	1	
17	594620401	Screw M5 x 30 mm (DIN 7500C)	4	
18	594620201	Eye piece	1	J
19	-	Data plate (Not available separately)	1	
20	-	Rivet	4	
21	594620301	Screw M4 x 8 mm (DIN 7500C)	4	
22	594621401	O-ring 233 x 3 mm , 9.17 x 0.12 in. NBR (70 shore)	1	
23	594619901	Rubber membrane	1	
24	594620001	Plate	1	
25	594620101	Switch	1	
26	594630701	Wire	1	
27	594286101	Screw	1	
28	594853601	Spade	1	
29	595196501	Adhesive cable clip	1	
30	594619801	Electronic unit	1	
31	594862901	Label	1	K
32	594627501	Safety label	1	L
33	594256801	Flexible sheeting	1	
34	594255201	Clamp	1	
35	595045201	Cable with plug	1	M
36	594623301	Cable with plug	1	N
37	595196801	Cable with plug	1	O
38	594619301	Gland	1	

Refer to the Parts Online web page for most up-to-date information. The printed information might be outdated.

Item	Part No.	Name	Qty	L
39	595504901	Label	1	P

Comments for Page: SMART40 to 65

(L)OCAL REMARKS

A | See the separate table.

B | L = 5 m (16.40 ft.) Sold by meter. Exact length must be ordered.

C | L = 0.55 m (22 in.) Sold by meter.

D | L = 2 x 6 m (2 x 19.68 ft.) Only for SMART40 230 V, 115 V, SMART48 230 V, 115 V, SMART56 230 V, 115 V, SMART65. Sold by meter. Exact length must be ordered.

E | Length = 2 x 6 m (2 x 19.68 ft.) Only for SMART40 115 V cETLus, SMART48 115 V cETLus, SMART56 115V cETLus. Sold by meter. Exact length must be ordered.

F | Length = 6.5 m (21.32 ft.) Sold by meter. Exact length must be ordered.

G | Length = 6 m (19.68 ft.) Only for SMART40 230 V, 115 V, SMART48 230 V, 115 V, SMART56 230 V, 115 V, SMART65. Sold by meter. Exact length must be ordered.

H | Length = 6 m (19.68 ft.) Only for SMART40 115 V cETLus, SMART48 115 V cETLus, SMART56 115V cETLus. Sold by meter. Exact length must be ordered.

I | L = 0.05 m (2 in.) Sold by meter.

J | Glue LOCTITE®495™

K | "Atlas Copco"

L | "Safety gear label"

M | Only for SMART40 230 V, SMART48 230V, SMART56 230 V, SMART65 230 V.

N | Only for SMART40 115 V, SMART48 115V, SMART56 115 V.

O | Only for SMART40 115 V cETLus, SMART48 115 V cETLus, SMART56 115V cETLus.

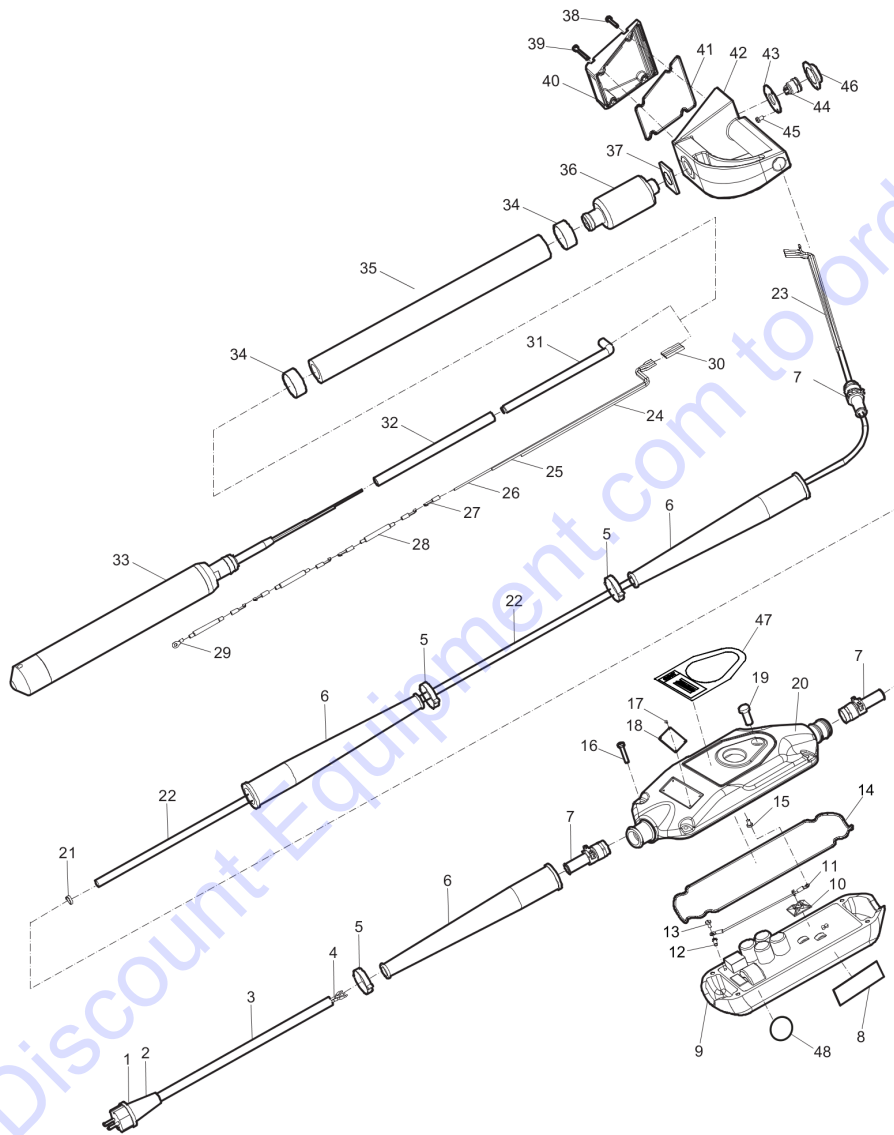
P | High voltage test

This page intentionally left blank

Go to [Discount-Equipment.com](http://Discount-Equipment.com) to order your parts



Spare parts list SMART28E to 56E



Refer to the Parts Online web page for most up-to-date information. The printed information might be outdated.

Item	Part No.	Name	Qty	L
1	594369601	Switch plug	1	
2	595162601	Switch plug	1	A
3	594380401	Cable	1	B
4	594257701	Wire end	3	
5	594255201	Clamp	3	
6	594256801	Flexible sheeting	3	
7	594619301	Gland	3	
8	594627501	Safety label	1	C
9	594619801	Electronic unit	1	
10	595196501	Adhesive cable clip	1	
11	594630701	Wire	1	
12	594853601	Spade	1	
13	594286101	Screw	1	
14	594621401	O-ring 233 x 3 mm , 9.17 x 0.12 in. NBR (70 shore)	1	
15	594620301	Screw M4 x 8 mm (DIN 7500C)	1	
16	594620401	Screw M5 x 30 mm (DIN 7500C)	4	
17	-	Rivet	4	
18	-	Data plate (Not available separately)	1	
19	594620201	Eye piece	1	D
20	594622901	Cover	1	
21	594286401	Clamp	4	
22	594413101	Cable	1	E
23	595145901	Wire end	2	
24	594287701	Wire	2	
25	594527801	Wire	1	
26	594285901	Wire	1	
27	595118501	Splicing sleeve	3	
28	594257501	Thermo insulating	3	
29	594794701	Ring lug 1.5mm <sup>2</sup> x dia.3.2mm	1	
30	594276701	Terminal	1	
31	594257101	Protective hose, 0.08 m , 3.1 in., Sold per meter.	1	
32	594254901	Hose	1	
33	-	Vibrating element	1	F
34	594281701	Clamp	2	
35	594388401	Hose	1	
36	594377101	Shock absorber	1	
37	594380301	Nut	1	
38	594500801	Screw	2	

Refer to the Parts Online web page for most up-to-date information. The printed information might be outdated.

Item	Part No.	Name	Qty	L
39	594500901	Screw	2	
40	594626501	Cover	1	
41	595047501	O-ring	1	
42	594622501	Handle	1	
43	594620001	Plate	1	
44	594620101	Switch	1	
45	594623201	Adhesive cable clip	3	
46	594619901	Rubber membrane	1	
47	594862901	Label	1	
48	595504901	Label	1	H

Comments for Page: SMART28E to 56E

(L)OCAL REMARKS

A | Only for SMART40E 115 V, 48E 115 V, 65E 115 V

B | L = 1.7 m

L = 5.57 ft.

Sold by meter. Exact length must be ordered.

C | "Safety gear label"

D | Glue LOCTITE®495™

E | L = 15 m, L = 49 ft. only for SMART28E, 40E 230 V, 48E 230 V, 56E 230 V

L = 10 m, L = 33 ft. only for SMART40E 115 V, 48E 115 V, 56E 115 V. Sold by meter. Exact length must be ordered.

F | See the separate table.

G | "Atlas Copco"

H | High voltage test

**Spare parts list** Vibrating elements list

NO EXPLODED VIEW  
AVAILABLE  
FOR THIS BOM

Go to [Discount-Equipment.com](http://Discount-Equipment.com) to order your parts

Item	Part No.	Name	Qty	L
-	594626801	SMART40 230 V	-	A
-	595525301	SMART40 115 VSMART40 115 V cETLus	-	B
-	594626901	SMART48 230 V	-	C
-	594627001	SMART48 115 VSMART48 115 V cETLus	-	D
-	594627101	SMART56 230 V	-	E
-	594627201	Electrovib 56 115 V cETLus	-	F
-	594627301	SMART65 230 V	-	G
-	595525201	SMART28E 230 V	-	A
-	594626801	SMART40 230 V	-	B
-	594626901	SMART48 230 V	-	C
-	594627101	SMART56 230 V	-	D
-	595525301	SMART40 115 VSMART40 115 V cETLus	-	E
-	594627001	SMART48 115 VSMART48 115 V cETLus	-	F
-	594627201	Electrovib 56 115 V cETLus	-	G

Comments for Page: Vibrating elements list

SMART40 to SMART65, SMART28E to 56E

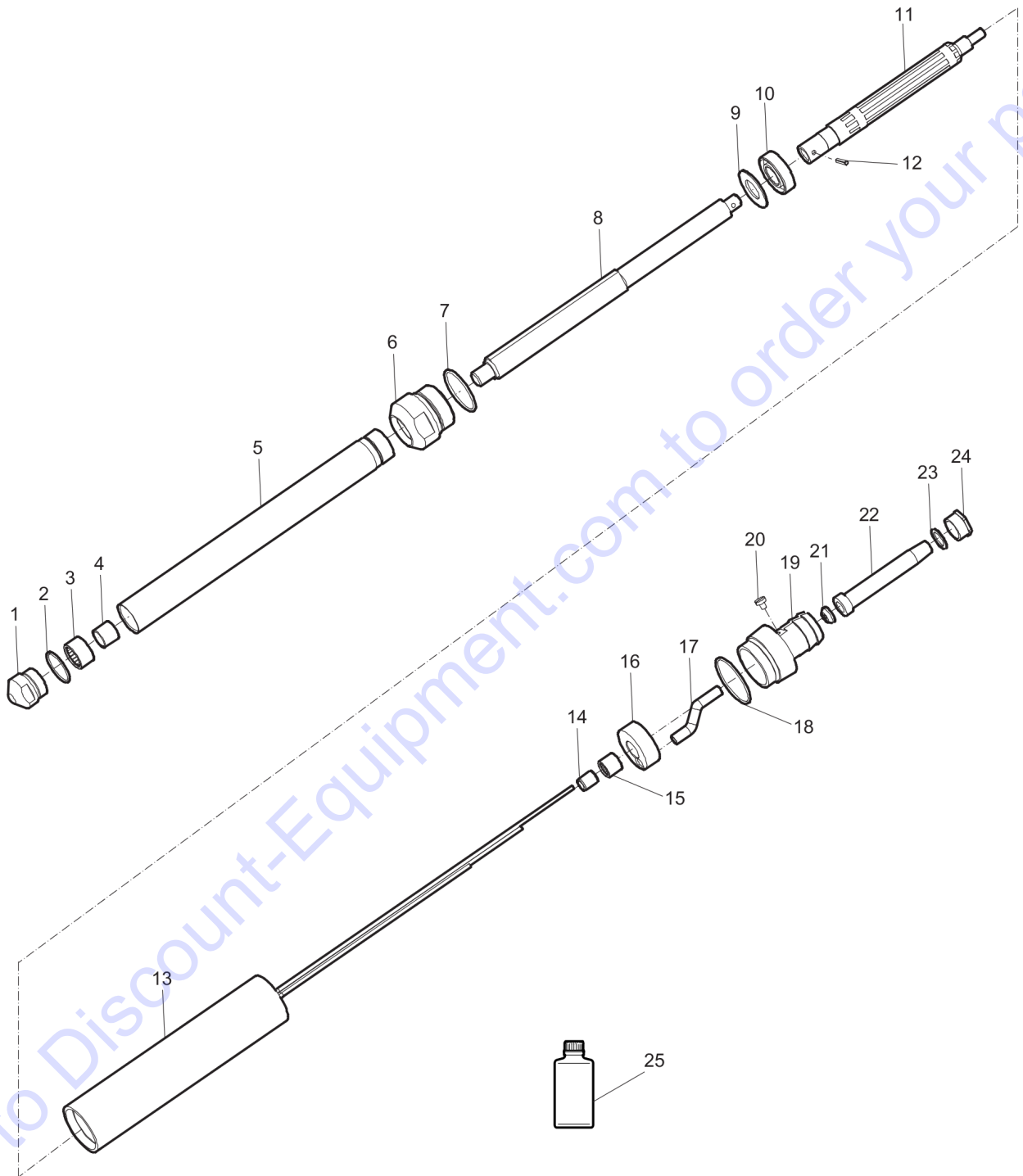
(L)OCAL REMARKS

- A | 4812 0512 28
- B | 4812 0512 29
- C | 4812 0512 30
- D | 4812 0512 31
- E | 4812 0512 32
- F | 4812 0512 33
- G | 4812 0512 34

(L)OCAL REMARKS

- A | -
- B | 4812 0512 28
- C | 4812 0512 30
- D | 4812 0512 32
- E | 4812 0512 29
- F | 4812 0512 31
- G | 4812 0512 33

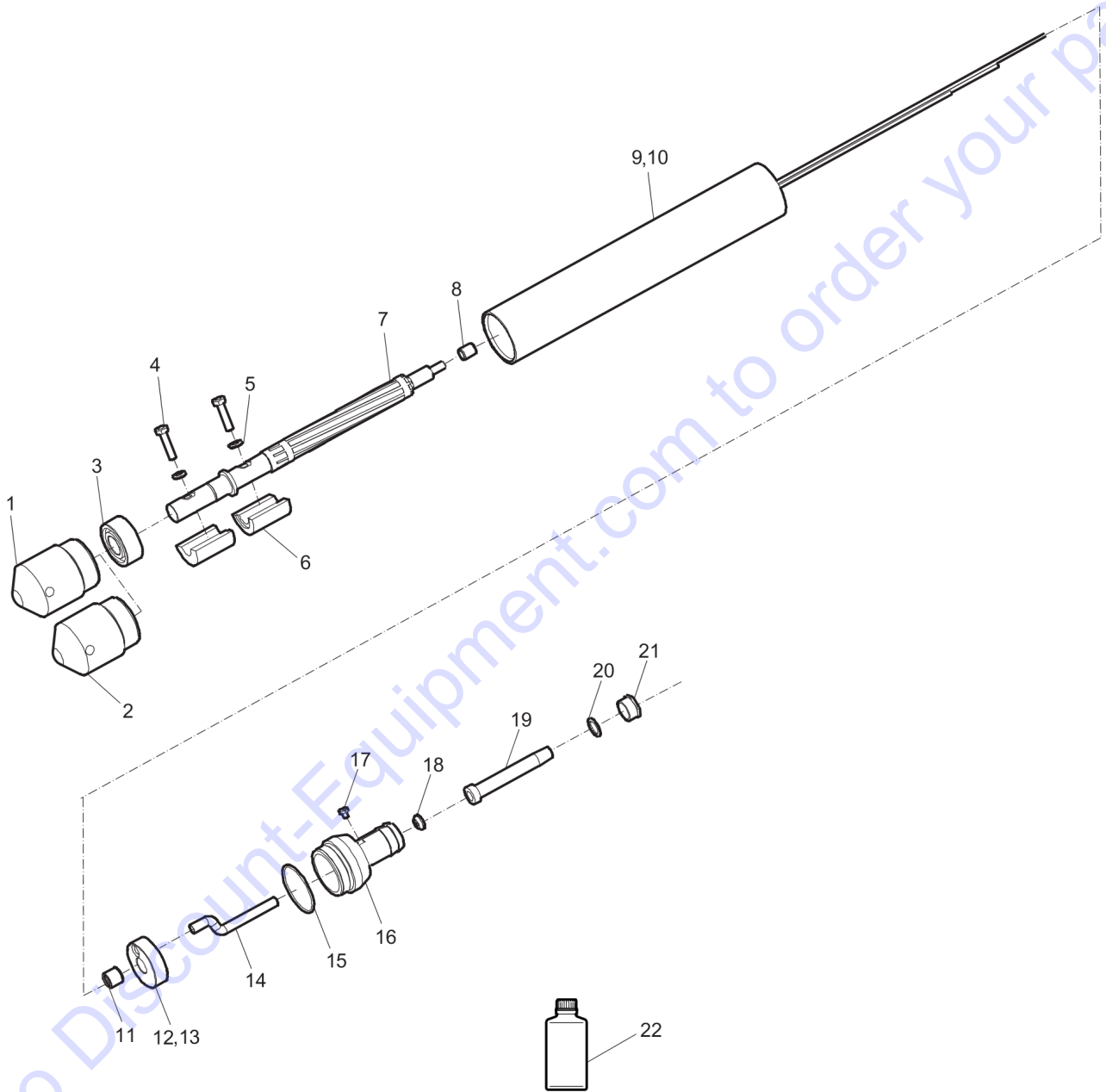
Spare parts list Vibrating element for 28E



Refer to the Parts Online web page for most up-to-date information. The printed information might be outdated.

Item	Part No.	Name	Qty	L
1	594288401	End cap	1	
2	594267601	O-ring	1	
3	594288601	Needle bearing	1	
4	594288501	Ring	1	
5	595155701	Vibrating tube	1	
6	595521501	Reducer	1	
7	594267901	O-ring	1	
8	595156901	Eccentric	1	
9	595154301	Washer	1	
10	595450601	Bearing	1	
11	595142701	Rotor	1	
12	595521601	Pin	1	
13	595142901	Stator tube	1	
14	594272301	Ring	1	
15	594272201	Needle bearing	1	
16	594277501	Bearing holder	1	
17	595149001	Hose	1	
18	594268001	O-ring	1	
19	595156001	Nipple	1	
20	594272701	Screw	1	
21	594289001	Gasket	1	
22	594290401	Flexible sheating	1	
23	594287501	Thrusting	1	
24	594287301	Thrust screw	1	
25	-	Oil, Shell Tellus T46 , 0.01 litre, 0.003 US gallon	1	

Spare parts list Vibrating elements for 40 and 40E



Refer to the Parts Online web page for most up-to-date information. The printed information might be outdated.



Item	Part No.	Name	Qty	L
1	594290101	End cap	1	
2	595156701	Rubber end cap	1	A
3	594290301	Bearing	1	
4	594286501	Screw	2	
5	594399301	Washer	2	
6	594290201	Eccentric	2	
7	594262301	Rotor	1	
8	594272301	Ring	1	
9	594621501	Stator tube	1	B
10	594860201	Stator tube	1	C
11	594272201	Needle bearing	1	
12	594277501	Bearing holder	1	D
13	594621601	Bearing holder	1	E
14	595149001	Hose	1	
15	594268001	O-ring	1	
16	595156001	Nipple	1	
17	594272701	Screw	1	
18	594289001	Gasket	1	
19	594290401	Flexible sheating	1	
20	594287501	Thrusting	1	
21	594287301	Thrust screw	1	
22	-	Oil, Shell Tellus T46 , 0.005 litre , 0.001 US gallon	1	

Comments for Page: Vibrating elements for 40 and 40E

(L)OCAL REMARKS

A | Option

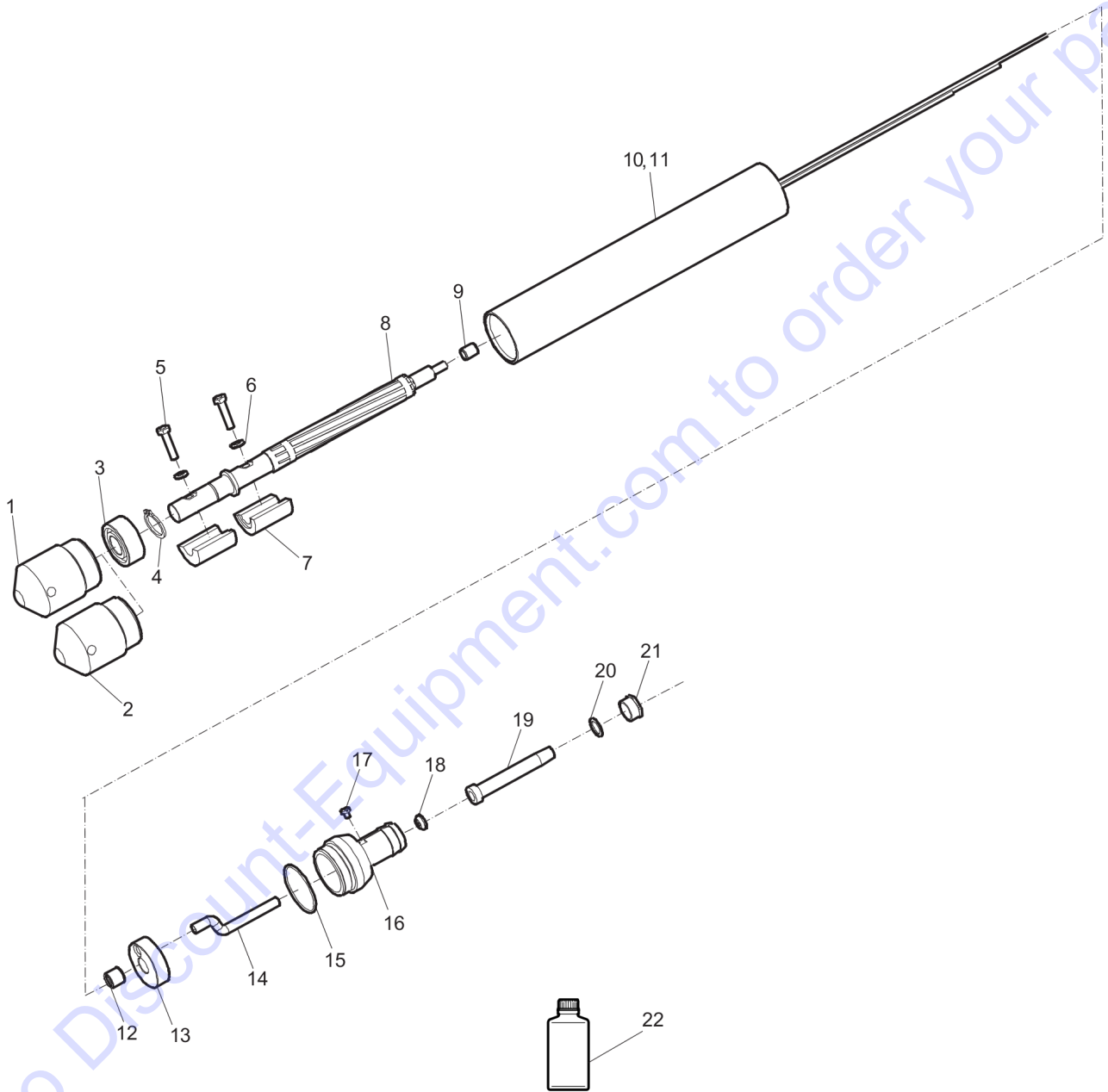
B | 210 V

C | 110 V

D | Up to FRO014127

E | From FRO014128

Spare parts list Vibrating elements for 48 and 48E



Refer to the Parts Online web page for most up-to-date information. The printed information might be outdated.

Item	Part No.	Name	Qty	L
1	594289401	End cap	1	
2	595156801	Rubber end cap	1	A
3	594289601	Bearing	1	
4	594286301	Retaining ring	1	
5	595466301	Screw, M6-1,0x25 mm 8.8	2	
6	594399401	Washer	2	
7	595523601	Eccentric	2	
8	594289501	Rotor	1	
9	594272301	Ring	1	
10	594621701	Stator tube	1	B
11	595196401	Stator tube	1	C
12	594272201	Needle bearing	1	
13	594265001	Bearing holder	1	
14	594277801	Hose	1	
15	594266901	O-ring	1	
16	594264901	Nipple	1	
17	594272701	Screw	1	
18	594289001	Gasket	1	
19	594290401	Flexible sheating	1	
20	594287501	Thrusting	1	
21	594287301	Thrust screw	1	
22	-	Oil, Shell Tellus T46 , 0.01 litre , 0.003 US gallon	1	

Comments for Page: Vibrating elements for 48 and 48E

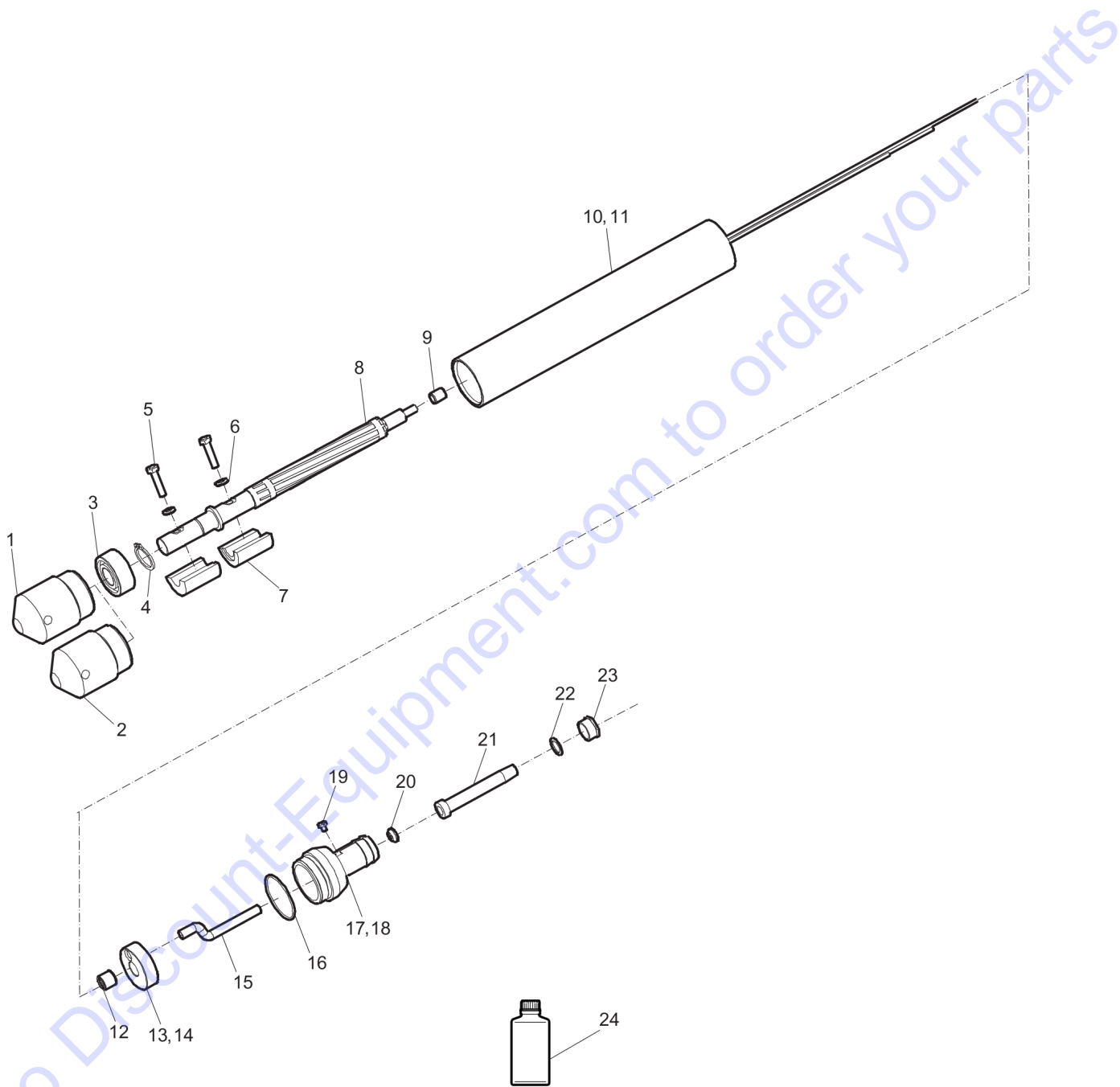
(L)OCAL REMARKS

A | Option

B | 210 V

C | 110 V

Spare parts list Vibrating elements for 56 and 56E



Refer to the Parts Online web page for most up-to-date information. The printed information might be outdated.

Item	Part No.	Name	Qty	L
1	594289101	End cap	1	
2	595029601	Rubber end cap	1	A
3	594289301	Bearing	1	
4	594278001	Snap ring	1	
5	595053801	Hex. screw	2	
6	594399401	Washer	2	
7	595523701	Eccentric	2	
8	594289201	Rotor	1	
9	594273701	Ring	1	
10	594621801	Stator tube	1	B
11	594621901	Stator tube	1	C
12	594273601	Bearing	1	
13	594265001	Bearing holder	1	D
14	594622001	Bearing holder	1	E
15	594277801	Hose	1	
16	594266901	O-ring	1	
17	594264901	Nipple	1	F
18	594860301	Nipple	1	G
19	594272701	Screw	1	
20	594289001	Gasket	1	
21	594290401	Flexible sheating	1	
22	594287501	Thrusting	1	
23	594287301	Thrust screw	1	
24	-	Oil, Shell Tellus T46 , 0.015 litre , 0.004 gallon	1	

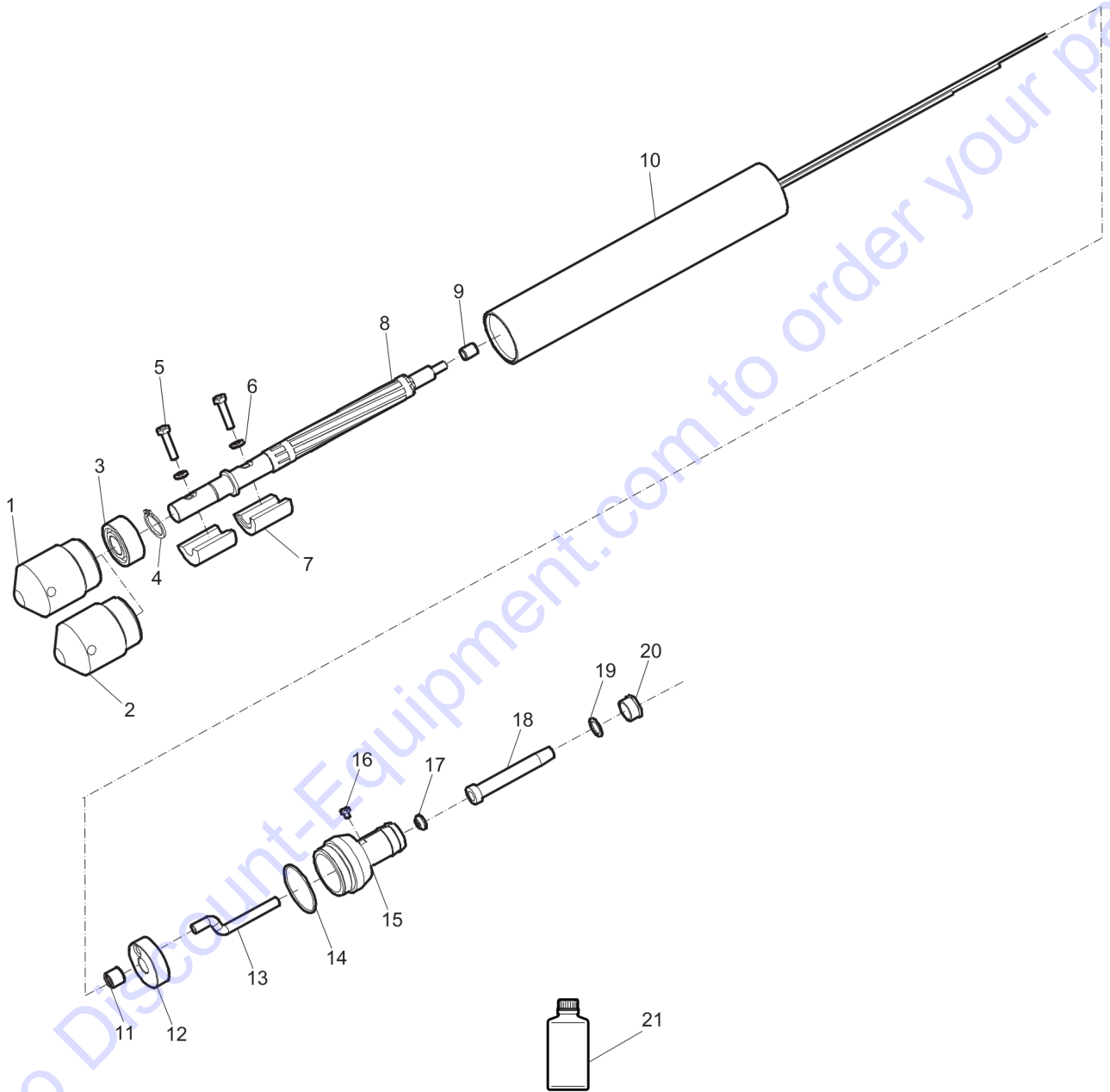
Comments for Page: Vibrating elements for 56 and 56E

(L)OCAL REMARKS

- A | Option
- B | 210 V
- C | 110 V
- D | Up to FRO013539
- E | From FRO013540
- F | Up to FRO013539
- G | From FRO013540

Refer to the Parts Online web page for most up-to-date information. The printed information might be outdated.

Spare parts list Vibrating element for 65



Refer to the Parts Online web page for most up-to-date information. The printed information might be outdated.

Item	Part No.	Name	Qty	L
1	594289701	End cap	1	
2	595450901	Rubber end cap	1	A
3	594290001	Bearing	1	
4	594278001	Snap ring	1	
5	595466001	Screw	2	
6	594399501	Washer	1	
7	595157801	Eccentric	2	
8	594289901	Rotor	1	
9	594273701	Ring	1	
10	594622101	Stator tube	1	B
11	594273601	Bearing	1	
12	594277701	Bearing holder	1	
13	594791001	Hose	1	
14	594268301	O-ring	1	
15	594290501	Nipple	1	
16	594272701	Screw	1	
17	594289001	Gasket	1	
18	594290401	Flexible sheating	1	
19	594287501	Thrusting	1	
20	594287301	Thrust screw	1	
21	-	Oil, Shell Tellus T46 , 0.02 litre , 0.005 US gallon	1	

Comments for Page: Vibrating element for 65

(L)OCAL REMARKS

A | Option

B | 210 V

**Kits** SMART 230 V - Electronic convertor with cable kit

NO EXPLODED VIEW  
AVAILABLE  
FOR THIS BOM

Go to [Discount-Equipment.com](http://Discount-Equipment.com) to order your parts



Item	Part No.	Name	Qty	L
1	594627901	Electronic convertor with cable kit	1	
2	594623001	Cover	1	
3	594619801	Electronic unit	1	
4	594621401	O-ring 233 x 3 mm , 9.17 x 0.12 in. NBR (70 shore)	1	A
5	594619901	Rubber membrane	1	
6	594620001	Plate	1	
7	594620101	Switch	1	
8	594620201	Eye piece	1	B
9	594620301	Screw M4 x 8 mm (DIN 7500C)	1	C
10	594620401	Screw M5 x 30 mm (DIN 7500C)	1	D
11	595045201	Cable with plug	1	
12	594853601	Spade	1	
13	594256801	Flexible sheeting	1	
14	594619301	Gland	1	
15	594408801	Stuffing box	1	
16	594257101	Protective hose, 0.08 m , 3.1 in., Sold per meter.	1	E
17	594255201	Clamp	1	
18	594630701	Wire	1	
19	594286101	Screw	1	F
20	594286401	Clamp	1	
21	594862901	Label	1	
22	594627501	Safety label	1	
23	595196501	Adhesive cable clip	1	

Refer to the Parts Online web page for most up-to-date information. The printed information might be outdated.

**Kits** SMART - Electronic convertor without cable kit

NO EXPLODED VIEW  
AVAILABLE  
FOR THIS BOM

Go to Discount-Equipment.com to order your parts

Item	Part No.	Name	Qty	L
1	594628001	Electronic convertor without cable kit	1	
2	594623001	Cover	1	
3	594619801	Electronic unit	1	
4	594621401	O-ring 233 x 3 mm , 9.17 x 0.12 in. NBR (70 shore)	1	A
5	594619901	Rubber membrane	1	
6	594620001	Plate	1	
7	594620101	Switch	1	
8	594620201	Eye piece	1	B
9	594620301	Screw M4 x 8 mm (DIN 7500C)	1	C
10	594620401	Screw M5 x 30 mm (DIN 7500C)	1	D
11	594853601	Spade	1	
12	594619301	Gland	1	
13	594408801	Stuffing box	1	
14	594257101	Protective hose, 0.08 m , 3.1 in., Sold per meter.	1	E
15	594630701	Wire	1	
16	594286101	Screw	1	F
17	594286401	Clamp	1	
18	594862901	Label	1	
19	594627501	Safety label	1	
20	595196501	Adhesive cable clip	1	

**Kits** SMART-E 230 V - Electronic convertor with cable kit

NO EXPLODED VIEW  
AVAILABLE  
FOR THIS BOM

Go to [Discount-Equipment.com](http://Discount-Equipment.com) to order your parts

Item	Part No.	Name	Qty	L
1	594862101	Electronic convertor with cable kit	1	
2	594622901	Cover	1	
3	594619801	Electronic unit	1	
4	594621401	O-ring 233 x 3 mm , 9.17 x 0.12 in. NBR (70 shore)	1	A
5	594620201	Eye piece	1	B
6	594620301	Screw M4 x 8 mm (DIN 7500C)	1	C
7	594620401	Screw M5 x 30 mm (DIN 7500C)	1	D
8	594380401	Cable	1	E
9	594853601	Spade	1	
10	594256801	Flexible sheeting	1	
11	594619301	Gland	1	
12	594257701	Wire end	1	
13	594255201	Clamp	1	
14	594630701	Wire	1	
15	594286101	Screw	1	F
16	594286401	Clamp	1	
17	594862901	Label	1	
18	594627501	Safety label	1	
19	595196501	Adhesive cable clip	1	
20	594369601	Switch plug	1	

**Kits** SMART-E - Electronic convertor without cable kit

NO EXPLODED VIEW  
AVAILABLE  
FOR THIS BOM

Go to [Discount-Equipment.com](http://Discount-Equipment.com) to order your parts

Item	Part No.	Name	Qty	L
1	594862201	Electronic convertor without cable kit	1	
2	594622901	Cover	1	
3	594619801	Electronic unit	1	
4	594621401	O-ring 233 x 3 mm , 9.17 x 0.12 in. NBR (70 shore)	1	A
5	594620201	Eye piece	1	B
6	594620301	Screw M4 x 8 mm (DIN 7500C)	1	C
7	594620401	Screw M5 x 30 mm (DIN 7500C)	1	D
8	594853601	Spade	1	
9	594619301	Gland	1	
10	594630701	Wire	1	
11	594286101	Screw	1	E
12	594286401	Clamp	1	
13	594862901	Label	1	
14	594627501	Safety label	1	
15	595196501	Adhesive cable clip	1	

Refer to the Parts Online web page for most up-to-date information. The printed information might be outdated.

**Kits** 28E to 56E - Handle kit

NO EXPLODED VIEW  
AVAILABLE  
FOR THIS BOM

Go to Discount-Equipment.com to order your parts



Item	Part No.	Name	Qty	L
1	594628601	Handle kit	1	
2	594619901	Rubber membrane	1	
3	594620001	Plate	1	
4	594620101	Switch	1	
5	594619301	Gland	1	
6	594623201	Adhesive cable clip	1	A
7	595047501	O-ring	1	B
8	594500801	Screw	1	C
9	594500901	Screw	1	D
10	594626501	Cover	1	
11	594622501	Handle	1	
12	594380301	Nut	1	
13	594377101	Shock absorber	1	

Refer to the Parts Online web page for most up-to-date information. The printed information might be outdated.

# PARTS FINDER

**Search Website  
by Part Number**



**Search Manual  
Library For Parts  
Manual & Lookup Part  
Numbers – Purchase  
or Request Quote**

**Search Manuals**

Enter your information to help us find the right parts manual for your machine.

\* Brand:

\* Model:

\* Serial:

\* Part Number:

SEARCH

**Can't Find Part or  
Manual? Request Help  
by Manufacturer,  
Model & Description**

**Parts Order Form**

Please fill in the following information to help us find the right part for your machine.

Manufacturer:	<input type="text"/>
Model:	<input type="text"/>
Description:	<input type="text"/>
Part Number:	<input type="text"/>
Quantity:	<input type="text"/>
Notes:	<input type="text"/>

Discount-Equipment.com is your online resource for quality parts & equipment.

Florida: **561-964-4949** Outside Florida TOLL FREE: **877-690-3101**

**Need parts?**

Click on this link: <http://www.discount-equipment.com/category/5443-parts/> and choose one of the options to help get the right parts and equipment you are looking for. Please have the machine model and serial number available in order to help us get you the correct parts. If you don't find the part on the website or on one of the online manuals, please fill out the request form and one of our experienced staff members will get back to you with a quote for the right part that your machine needs.

We sell worldwide for the brands: Genie, Terex, JLG, MultiQuip, Mikasa, Essick, Whiteman, Mayco, Toro Stone, Diamond Products, Generac Magnum, Airman, Haulotte, Barreto, Power Blanket, Nifty Lift, Atlas Copco, Chicago Pneumatic, Allmand, Miller Curber, Skyjack, Lull, Skytrak, Tsurumi, Husquvarna Target, Stow, Wacker, Sakai, Mi-T-M, Sullair, Basic, Dynapac, MBW, Weber, Bartell, Bennar Newman, Haulotte, Ditch Runner, Menegotti, Morrison, Contec, Buddy, Crown, Edco, Wyco, Bomag, Laymor, EZ Trench, Bil-Jax, F.S. Curtis, Gehl Pavers, Heli, Honda, ICS/PowerGrit, IHI, Partner, Imer, Clipper, MMD, Koshin, Rice, CH&E, General Equipment, Amida, Coleman, NAC, Gradall, Square Shooter, Kent, Stanley, Tamco, Toku, Hatz, Kohler, Robin, Wisconsin, Northrock, Oztec, Toker TK, Rol-Air, APT, Wylie, Ingersoll Rand / Doosan, Innovatech, Con X, Ammann, Mecalac, Makinex, Smith Surface Prep, Small Line, Wanco, Yanmar