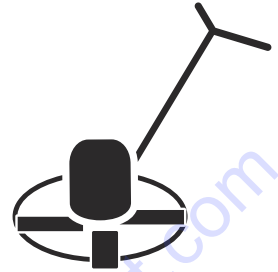




Husqvarna®



BG 245, BG 375, BG 475

EN Operator's manual

2-29

**Discount
Equipment**

TO PURCHASE THIS PRODUCT PLEASE CONTACT US



**Equipment Financing and
Extended Warranties Available**



**Discount-Equipment.com is your online resource for
commercial and industrial quality parts and equipment sales.**

561-964-4949

visit us on line @ www.discount-equipment.com

Select an option below to find your Equipment

Search by Manufacturer

Search by Product Type

Request a Quote

We sell worldwide for the brands: Genie, Terex, JLG, MultiQuip, Mikasa, Essick, Whiteman, Mayco, Toro Stone, Diamond Products, Generac Magnum, Airman, Haulotte, Barreto, Power Blanket, Nifty Lift, Atlas Copco, Chicago Pneumatic, Allmand, Miller Curber, Skyjack, Lull, Skytrak, Tsurumi, Husquvarna Target, Stow, Wacker, Sakai, Mi-T-M, Sullair, Basic, Dynapac, MBW, Weber, Bartell, Bennar Newman, Haulotte, Ditch Runner, Menegotti, Morrison, Contec, Buddy, Crown, Edco, Wyco, Bomag, Laymor, EZ Trench, Bil-Jax, F.S. Curtis, Gehl Pavers, Heli, Honda, ICS/PowerGrit, IHI, Partner, Imer, Clipper, MMD, Koshin, Rice, CH&E, General Equipment, Amida, Coleman, NAC, Gradall, Square Shooter, Kent, Stanley, Tamco, Toku, Hatz, Kohler, Robin, Wisconsin, Northrock, Oztec, Toker TK, Rol-Air, APT, Wylie, Ingersoll Rand / Doosan, Innovatech, Con X, Ammann, Mecalac, Makinex, Smith Surface Prep, Small Line, Wanco, Yanmar

Contents

Introduction.....	2	Troubleshooting.....	20
Safety.....	5	Transportation, storage and disposal.....	21
Operation.....	9	Technical data.....	24
Maintenance.....	13	EC Declaration of Conformity.....	29

Introduction

California Proposition 65

**WARNING!**

The engine exhaust from this product contains chemicals known to the State of California to cause cancer, birth defects or other reproductive harm.

The model BG 245 is applicable for operation near walls, edges and in small spaces. The protection ring rotates, which prevents scratches on the wall.

The models BG 245 and BG 375 can be used with the optional accessory floating disc.

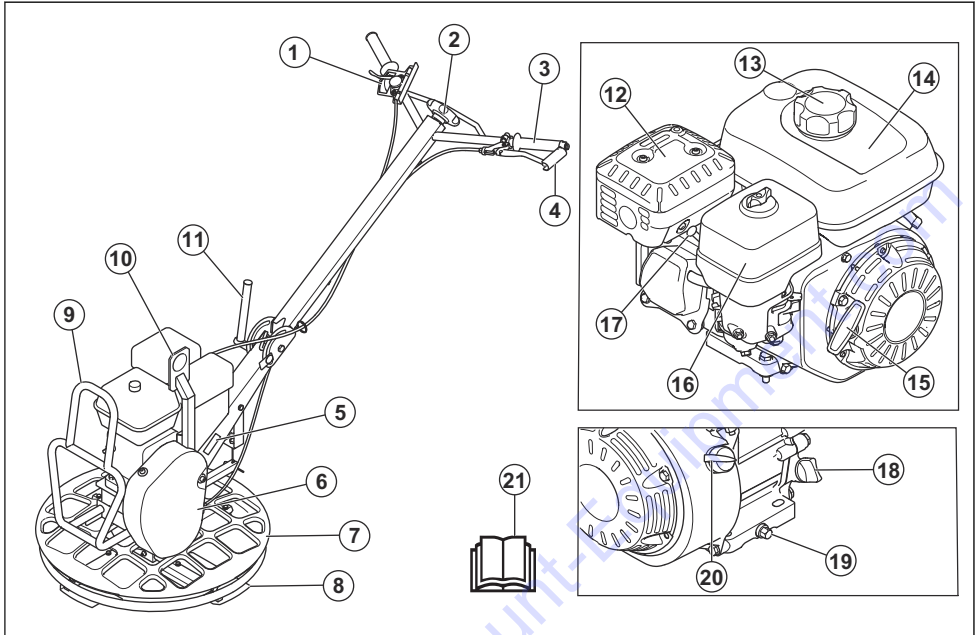
Intended use

The product is for professional operation only. The product is used to give a smooth surface on wet concrete surfaces and floors. The product must only be used outdoors or in areas with sufficient airflow. Do not use the product for other tasks.

Product description

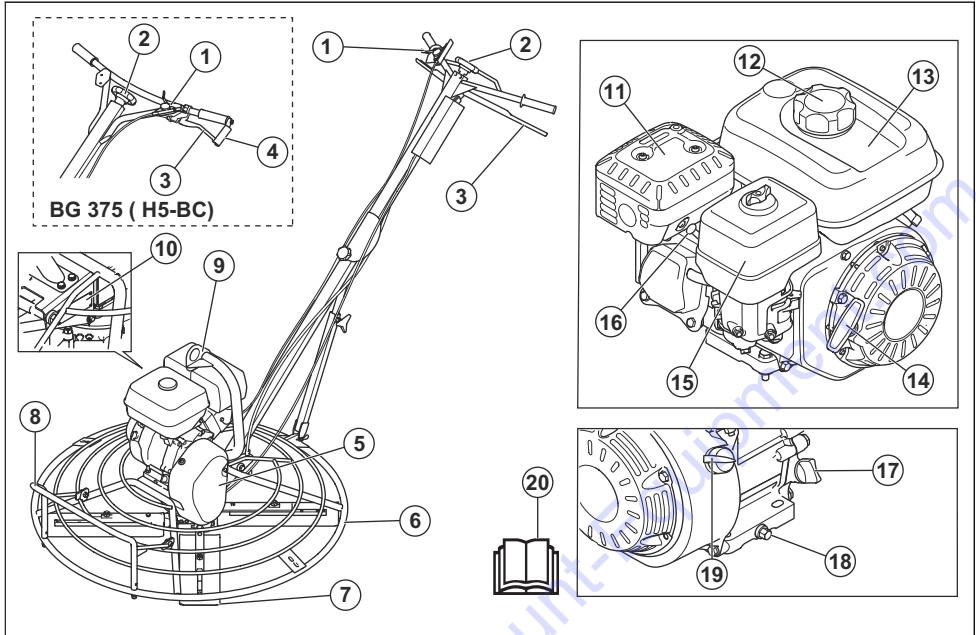
This product is a pedestrian-controlled trowel, which is a concrete smoothing machine. It has a 4-stroke combustion engine.

Product overview (BG 245)



- | | |
|---|-------------------------------|
| 1. Throttle control | 12. Muffer |
| 2. Blade adjustment knob | 13. Fuel tank cap |
| 3. Clutch control | 14. Fuel tank |
| 4. Clutch holder | 15. Starter rope handle |
| 5. Type plate | 16. Air filter cover |
| 6. V-belt cover | 17. Spark plug |
| 7. Protection ring | 18. Oil tank cap and dipstick |
| 8. Blade | 19. Drain plug for engine oil |
| 9. Support frame for maintenance position | 20. Engine ON/OFF switch |
| 10. Lifting eye | 21. Operator's manual |
| 11. Lever to lock the handle | |

Product overview (BG 375, BG 475)



1. Throttle control
2. Blade adjustment knob
3. Clutch control
4. Clutch holder
5. V-belt cover
6. Protection ring
7. Blade
8. Support for maintenance position
9. Lifting eye
10. Type plate
11. Muffler
12. Fuel tank cap
13. Fuel tank
14. Starter rope handle
15. Air filter cover
16. Spark plug
17. Oil tank cap and dipstick
18. Drain plug for engine oil
19. Engine ON/OFF switch
20. Operator's manual



Read the manual carefully and make sure that you understand the instructions before you use the product.



Use hearing protection.



Fuel: Unleaded gasoline with a maximum of 10% ethanol.



Risk of injury. Be careful around the drive belt.



Hot surface.



Keep your hands away from this area.

Symbols on the product



Be careful and use the product correctly. This product can cause serious injury or death to the operator or others.



Keep your hands and feet away from the blades.



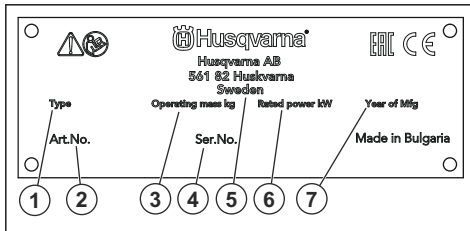
Lifting point on the safety frame.



This product is in compliance with applicable EC directives.

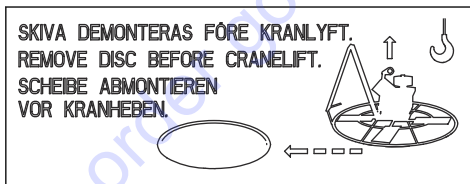
Note: Other symbols/decals on the product refer to special certification requirements for some markets.

Type plate

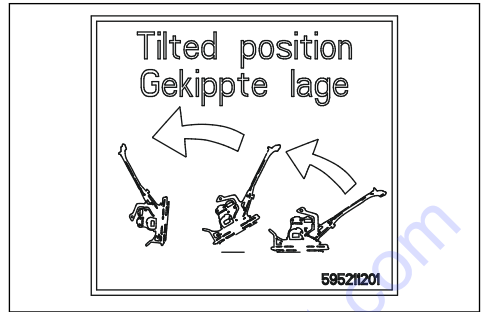


1. Product type
2. Product number
3. Product weight
4. Serial number
5. Manufacturer
6. Rated power
7. Production year

Safety labels



Remove the floating disc before you lift the product.



Set the product in maintenance position. Refer to *To set the product in maintenance position* on page 16.

Product liability

As referred to in the product liability laws, we are not liable for damages that our product causes if:

- the product is incorrectly repaired.
- the product is repaired with parts that are not from the manufacturer or not approved by the manufacturer.
- the product has an accessory that is not from the manufacturer or not approved by the manufacturer.
- the product is not repaired at an approved service center or by an approved authority.

Safety

Safety definitions

Warnings, cautions and notes are used to point out specially important parts of the manual.



WARNING: Used if there is a risk of injury or death for the operator or bystanders if the instructions in the manual are not obeyed.



CAUTION: Used if there is a risk of damage to the product, other materials or the adjacent area if the instructions in the manual are not obeyed.

Note: Used to give more information that is necessary in a given situation.

General safety instructions



WARNING: Read the warning instructions that follow before you use the product.

- This product is a dangerous tool if you are not careful or if you use the product incorrectly. This product can cause serious injury or death to the operator or others. Before you use the product, you must read and understand the contents of this operator's manual.
 - Save all warnings and instructions.
 - Comply with all applicable laws and regulations.
 - The operator and the employer of the operator must know and prevent the risks during operation of the product.
 - Do not let a person operate the product unless they read and understand the contents of the operator's manual.
 - Do not operate the product unless you receive training before use. Make sure that all operators receive training.
 - Do not let a child operate the product.
 - Only let approved persons operate the product.
 - The operator is responsible for accidents that occur to other persons or their property.
 - Do not use the product if you are tired, ill, or under the influence of alcohol, drugs or medicine.
 - Always be careful and use your common sense.
 - This product produces an electromagnetic field during operation. This field can under some circumstances interfere with active or passive medical implants. To decrease the risk of serious injury or death, we recommend persons with medical implants to speak to their physician and the medical implant manufacturer before operating this product.
 - Keep the product clean. Make sure that you can clearly read signs and decals.
 - Do not use the product if it is defective.
 - Do not do modifications to this product.
 - Do not operate the product if it is possible that other persons have done modifications to the product.
- Make sure that only approved persons are in the work area.
 - Keep the work area clean and bright.
 - Make sure that you are in a safe and stable position during operation.
 - Make sure that there is no risk that you or the product can fall from a height.
 - Make sure that there is no grease or oil on the handle.
 - Do not use the product in areas where fire or explosions can occur.
 - The product can cause objects to eject at high speed. Make sure that all persons in the work area use approved personal protective equipment. Remove loose objects from the work area.
 - Before you go away from the product, stop the engine and make sure that there is no risk of accidental start.
 - Make sure that clothes, long hair and jewelry do not get caught in moving parts.
 - Do not sit on the product.
 - Do not hit the product.
 - Always operate the product from behind with your hands on the handle.
 - Do not operate the product near electrical cables. The product does not have electrical insulation and injury or death can occur.
 - Before you operate the product, find out if there are hidden wires, cables and pipes in the work area. If the product hits a hidden object, stop the engine immediately and examine the product and the object. Do not start to operate the product again until you know that it is safe to continue.

Vibration safety



WARNING: Read the warning instructions that follow before you use the product.

- During operation of the product, vibrations go from the product to the operator. Regular and frequent operation of the product can cause or increase the degree of injuries to the operator. Injuries can occur in fingers, hands, wrists, arms, shoulders, and/or nerves and blood supply or other body parts. The injuries can be debilitating and/or permanent, and can increase gradually during weeks, months or years. Possible injuries include damage to the blood circulation system, the nervous system, joints, and other body structures.
- Symptoms can occur during operation of the product or at other times. If you have symptoms and continue to operate the product, the symptoms can increase or become permanent. If these or other symptoms occur, get medical aid:
 - Numbness, loss of feeling, tingling, pricking, pain, burning, throbbing, stiffness, clumsiness,

Safety instructions for operation



WARNING: Read the warning instructions that follow before you use the product.

- Make sure that you know how to stop the engine quickly in an emergency.
- The operator must have the physical strength that is necessary to operate the product safely.
- Do not operate the product without all protective covers installed.
- Use personal protective equipment. Refer to *Personal protective equipment on page 7.*

loss of strength, changes in skin color or condition.

- Symptoms can increase in cold temperatures. Use warm clothing and keep your hands warm and dry when you operate the product in cold environments.
- Do maintenance on and operate the product as given in the operator's manual, to keep a correct vibration level.
- The product has a vibration damping system that decreases the vibrations from the handles to the operator. Let the product do the work. Do not push the product with force. Hold the product at the handles lightly, but make sure that you control the product and operate it safely. Do not push the handles into the end stops more than necessary.
- Keep your hands on the handle or handles only. Keep all other body parts away from the product.
- Stop the product immediately if strong vibrations suddenly occurs. Do not continue the operation before the cause of the increased vibrations is removed.

Dust safety



WARNING: Read the warning instructions that follow before you use the product.

- Operation of the product can cause dust in the air. Dust can cause serious injury and permanent health problems. Silica dust is regulated as harmful by several authorities. These are examples of such health problems:
 - The fatal lung diseases chronic bronchitis, silicosis and pulmonary fibrosis
 - Cancer
 - Birth defects
 - Skin inflammation
- Use correct equipment to decrease the quantity of dust and fumes in the air and to decrease dust on work equipment, surfaces, clothing and body parts. Examples of controls are dust collection systems and water sprays to bind dust. Decrease dust at the source where possible. Make sure that the equipment is correctly installed and used and that regular maintenance is done.
- Use approved respiratory protection. Make sure that the respiratory protection is applicable for the dangerous materials in the work area.
- Make sure that the airflow is sufficient in the work area.
- If it is possible, point the exhaust of the product where it cannot cause dust to go into the air.

Exhaust fumes safety



WARNING: Read the warning instructions that follow before you use the product.

- The exhaust fumes from the engine contain carbon monoxide which is an odourless, poisonous and very dangerous gas. To breathe carbon monoxide can cause death. Because carbon monoxide is odourless and cannot be seen, it is not possible to sense it. A symptom of carbon monoxide poisoning is dizziness, but it is possible that a person becomes unconscious without warning if the quantity or concentration of carbon monoxide is sufficient.
- Exhaust fumes also contain unburned hydrocarbons including benzene. Long-term inhalation can cause health problems.
- Exhaust fumes that you can see or smell also contain carbon monoxide.
- Do not use a combustion engine product indoors or in areas that do not have sufficient airflow.
- Do not breathe the exhaust fumes.
- Make sure that the airflow in the work area is sufficient. This is very important when you operate the product in trenches or other small work areas where exhaust fumes can easily collect.

Noise safety



WARNING: Read the warning instructions that follow before you use the product.

- High noise levels and long-term exposure to noise can cause noise-induced hearing loss.
- To keep the noise level to a minimum, do maintenance on and operate the product as given in the operator's manual.
- Examine the muffler for damages and defects. Make sure that the muffler is correctly attached to the product.
- Use approved hearing protection while you operate the product.
- Listen for warning signals and voices when you use hearing protection. Remove the hearing protection when the product is stopped, unless hearing protection is necessary for the noise level in the work area.

Personal protective equipment



WARNING: Read the warning instructions that follow before you use the product.

- Always use approved personal protective equipment when you operate the product. Personal protective equipment cannot fully prevent injury but it decreases the degree of injury if an accident does occur. Let your dealer help you select the correct personal protective equipment.
- Regularly do a check of the condition of the personal protective equipment.
- Use an approved protective helmet.
- Use approved hearing protection.

- Use approved respiratory protection.
- Use approved eye protection with side protection.
- Use protective gloves.
- Use boots with steel toe-cap and non-slip sole.
- Use approved work clothing or equivalent close-fitting clothing that has long sleeves and long legs.

Fire extinguisher

- Keep a fire extinguisher near during operation.
- Use a powder fire extinguisher of "ABE" class or a carbon dioxide fire extinguisher of "BE" type.

Safety devices on the product



WARNING: Read the warning instructions that follow before you use the product.

- Do not use a product with defective safety devices.
- Do a check of the safety devices regularly. If the safety devices are defective, speak to Discount-equipment.

Engine ON/OFF switch

The engine can only start when the engine ON/OFF switch is set to "ON". The engine stops when you set the engine ON/OFF switch to "OFF".

To do a check of the engine ON/OFF switch

1. Start the engine. Refer to *To start the product on page 10*.
2. Set the engine ON/OFF switch to "OFF". The engine stops.

Muffler

The muffler keeps the noise levels to a minimum and sends the exhaust fumes away from the operator.

Do not use the product if the muffler is missing or defective. A defective muffler increases the noise level and the risk of fire.



WARNING: The muffler becomes very hot during and after use and when the engine operates at idle speed. Be careful near flammable materials and/or fumes to prevent fire.

To do a check of the muffler

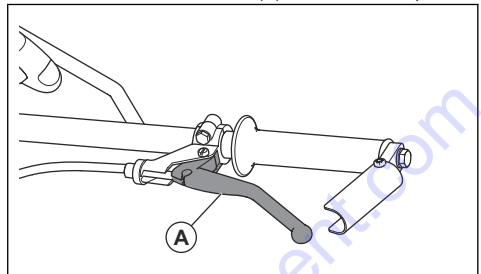
- Examine the muffler regularly to make sure that it is attached correctly and not damaged.

Quick stop function

The blades stop immediately when you release the clutch control.

To do a check of the quick stop function

1. Start the engine. Refer to *To start the product on page 10*.
2. Push the clutch control against the handle. The blades start to rotate.
3. Release the clutch control (A). The blades stop.



Note: The illustration shows the clutch control on model BG 245 and BG 375 (H5-BC). The models BG 475 and BG 375 (H6-BC, H9-BC) have a longer clutch control but the function is the same. Refer to *Product overview (BG 375, BG 475) on page 4* and *To start the product on page 10*.

Fuel safety



WARNING: Read the warning instructions that follow before you use the product.

- Fuel is flammable and the fumes are explosive. Be careful with fuel to prevent injury, fire and explosion.
- Do not breathe in the fuel fumes. The fuel fumes are poisonous and can cause injury. Make sure that the airflow is sufficient.
- Do not remove the fuel tank cap or fill the fuel tank when the engine is on.
- Let the engine become cool before you refuel.
- Do not fill fuel in an indoor area. Not sufficient airflow can cause injury or death because of asphyxiation or carbon monoxide.
- Do not smoke near the fuel or the engine.
- Do not put hot objects near the fuel or the engine.
- Do not fill fuel near sparks or flames.
- Before you refuel, open the fuel tank cap slowly and release the pressure carefully.
- Fuel on your skin can cause injury. If you get fuel on your skin, use soap and water to remove the fuel.
- If you spill fuel on your clothing, change clothing immediately.
- Do not fill the fuel tank fully. Heat causes the fuel to expand. Keep a space at the top of the fuel tank.
- Tighten the fuel tank cap fully. If the fuel tank cap is not tightened, there is a risk of fire.
- Before you start the product, move the product to a minimum of 3 m/10 ft from where you refueled.

- Do not start the product if there is fuel or engine oil on the product. Remove the unwanted fuel and engine oil and let the product dry before you start the engine.
- Examine the engine for leaks regularly. If there are leaks in the fuel system, do not start the engine until the leaks are repaired.
- Do not use your fingers to examine the engine for leaks.
- Keep fuel in approved containers only.
- When the product and fuel is in storage, make sure that fuel and fuel fumes cannot cause damage.
- Drain the fuel in an approved container outdoors and away from sparks and flames.
- If the maintenance is not done correctly and regularly, the risk of injury and damage to the product increases.
- Use personal protective equipment. Refer to *Personal protective equipment on page 7*.
- Stop the engine and make sure that all parts of the product are cool before you do the maintenance.
- Clean the product to remove dangerous material before you do the maintenance.
- Disconnect the spark plug cap before you do the maintenance.
- The exhaust fumes from the engine are hot and can contain sparks. Do not operate the product in indoor areas or near flammable material.
- Do not change the product. Modifications that are not approved by the manufacturer, can cause serious injury or death.
- Always use original accessories and spare parts. Accessories and spare parts that are not approved by the manufacturer, can cause serious injury or death.
- Replace damaged, worn or broken parts.
- Only do the maintenance as given in this operator's manual. Let an approved service center do all other servicing.
- Remove all tools from the product before you start the engine after maintenance. Loose tools or tools attached to rotating parts can eject and cause injury.
- After maintenance, do a check of the vibration level in the product. If it is not correct, speak to an approved service center.
- Let an approved service center do servicing on the product regularly.

Safety instructions for operation near edges



WARNING: Read the warning instructions that follow before you use the product.

- There is a risk that the product falls when you operate it near an edge. Always keep a minimum of $\frac{3}{4}$ of the product on a surface that is sufficiently stable to hold the product weight.
- If the product falls, stop the engine before you lift the product back to a surface that is sufficiently stable. Refer to *To lift the product on page 22*.

Safety instructions for maintenance



WARNING: Read the warning instructions that follow before you use the product.

- Let an approved service center do servicing on the product regularly.

Operation

Introduction



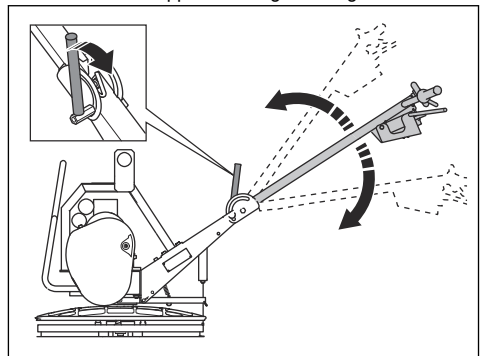
WARNING: Read and understand the safety chapter before you use the product.

To do before you operate the product

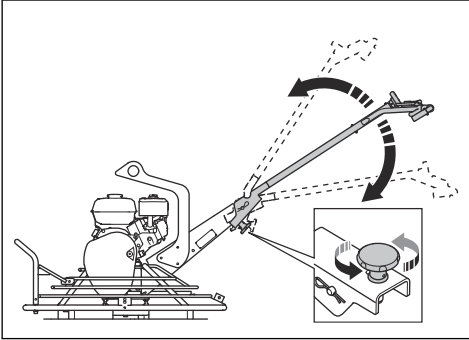
- Read the operator's manual carefully and make sure that you understand the instructions.
- Read the engine manual that is supplied by the engine manufacturer.
- Do the daily maintenance. Refer to *Maintenance schedule on page 13*.

To adjust the handle height

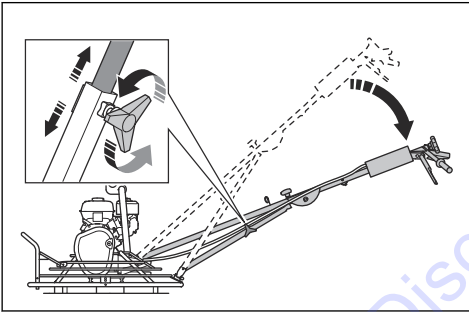
- For BG 245: Loosen the lever, move the handle up or down to an applicable height and tighten the lever.



- For BG 375 (H5-BC): Loosen the locking knob, move the handle up or down to an applicable height and tighten the locking knob.



- For BG 375 (H6-BC, H9-BC) and BG 475: Loosen the lower locking knob, move the handle up or down to an applicable height and tighten the lower locking knob.



To install the floating disc (BG 245, BG 375)

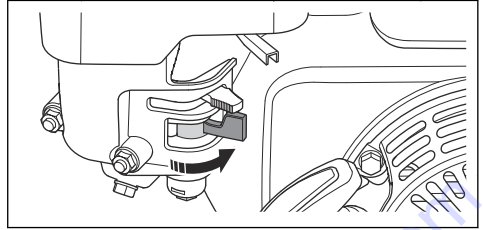
1. Put the floating disc on a hard flat surface.
2. Put the product on top of the floating disc.
3. Align the center of the blade assembly with the center of the floating disc.
4. Turn the floating disc until the blades engage in the brackets on the floating disc.



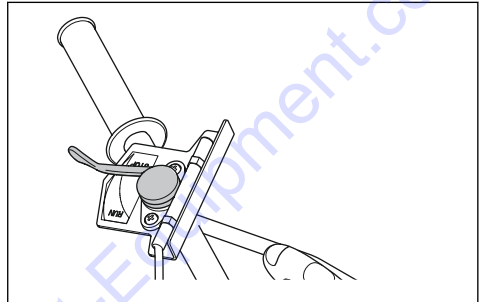
CAUTION: Make sure that the floating disc is correctly installed before you operate the product. An incorrectly installed floating disc does not give a smooth result.

To start the product

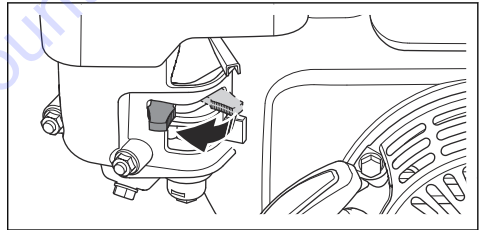
1. Open the fuel valve.



2. Set the throttle control to idle speed.

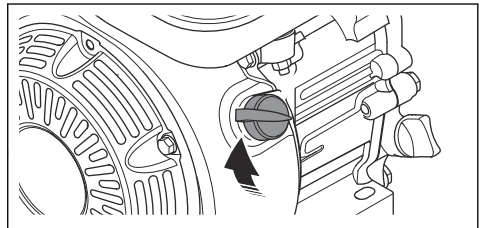


3. Set the choke control in the correct position.

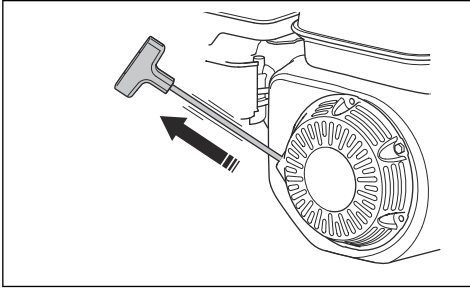


- a) If the engine is cold, close the choke.
- b) If the engine is warm or the ambient temperature is high, open the choke.

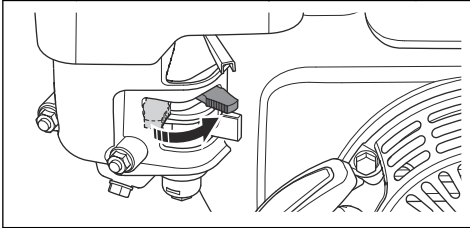
4. Set the engine ON/OFF switch to "ON".



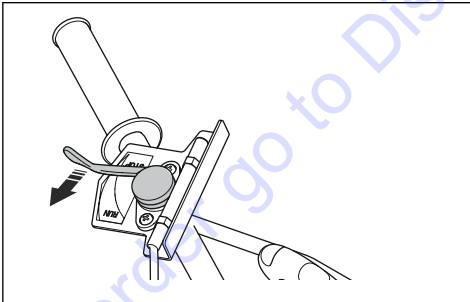
5. Hold the product handle with one hand and pull the starter rope handle slowly until you feel resistance.



6. Release the starter rope handle to let the starter rope go back.
7. Pull the starter rope handle until the engine starts.
8. Open the choke control gradually until it is fully open.

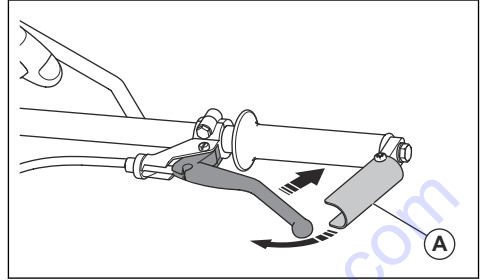


9. Let the engine operate at idle speed for 2–3 minutes.
10. Hold the product tightly at the handle with two hands. Move the throttle control to increase the engine speed, but do not release the handle.

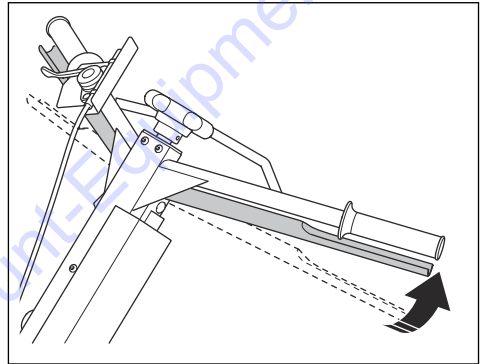


11. Push the clutch control on the left side against the handle. Keep the clutch control in this position during operation.

- a) For BG 245 and BG 375 (H5-BC): To decrease the pressure on your hand, fold the clutch holder (A) on top of the clutch control.



- b) The models BG 475 and BG 375 (H6-BC, H9-BC) have a longer clutch control, and a clutch holder is not necessary.



Working techniques

The floating operation removes dents on the concrete surface. The concrete surface must be sufficiently hard before the floating operation. The concrete surface is sufficiently hard when a shoe gives only a small recess on the concrete surface.

When the floating operation is completed, the concrete surface is prepared for the troweling operation. The troweling operation increases the density of the concrete surface and makes it smooth and hard.



CAUTION: Look for loose stones on the concrete surface during operation. Loose stones can make marks that are not easy to remove from the concrete surface.

To do the floating operation

1. Make sure that the throttle control is set to full throttle.
2. Turn the blade adjustment knob until there is tension in the cable.
3. Move the product across the concrete surface.

- Stop the product and remove it from the concrete surface.



CAUTION: Do not let the product stay stationary on the concrete surface. This can cause marks and damages to the concrete surface. When the product stops, immediately lift the product from the concrete surface.

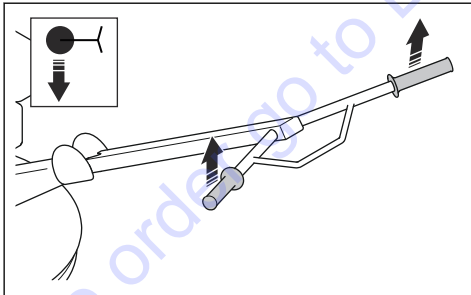
To do the troweling operation

- Make sure that the throttle control is set to full throttle.
- Turn the blade adjustment knob until there is tension in the cable.
- Move the product across the concrete surface.
 - Adjust the throttle control to an applicable speed for the condition of the surface. Too high speed can cause damage to the surface.
 - Adjust the blade adjustment knob as necessary during operation.
- Stop the product and remove it from the concrete surface.
- Wait until the concrete is sufficiently set.
- Do the procedure again and again until the concrete surface has a satisfactory finish and is fully set.

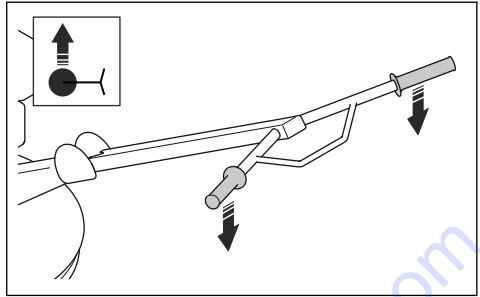
Note: The period of time between troweling operations is calculated from how quickly the concrete sets.

To move the product in different directions

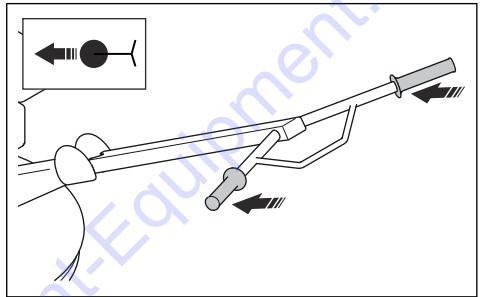
- To turn to the left, lift the handles.



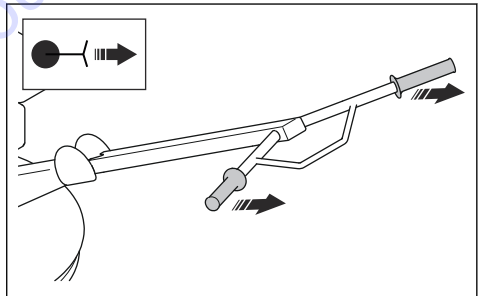
- To turn to the right, push the handles down.



- To move the product forward, push the handles forward.



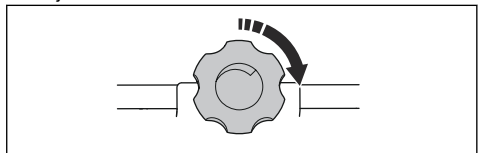
- To move the product rearward, pull the handles rearward.



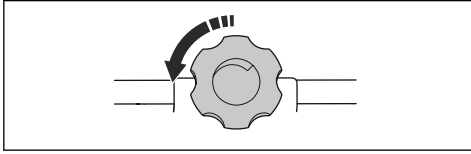
To adjust the blade angle

The blade angle is adjusted gradually.

- To increase the blade angle, turn the blade adjustment knob clockwise.

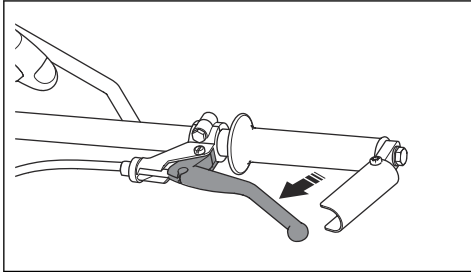


2. To decrease the blade angle, turn the blade adjustment knob counterclockwise.

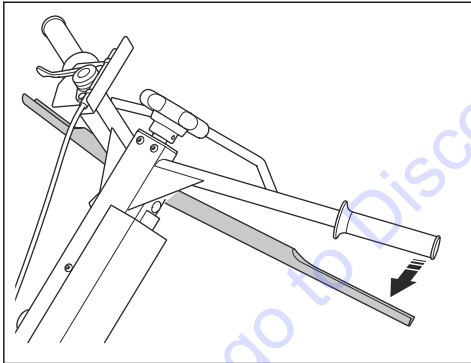


To stop the product

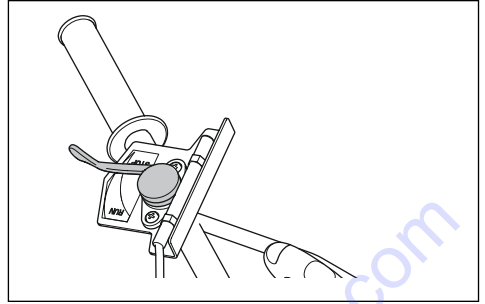
1. Release the clutch control.
 - a) BG 245, BG 375 (H5-BC):



- b) BG 475, BG 375 (H6-BC, H9-BC):



2. Immediately set the throttle control to idle speed and let the engine operate at idle speed for 2–3 minutes.



3. Set the engine ON/OFF switch to "OFF". The engine stops.
4. Move the fuel valve to the "OFF" position.

Maintenance

Introduction



WARNING: Read and understand the safety chapter before you do maintenance on the product.

For all servicing and repair work on the product, special training is necessary. We guarantee that professional repairs and servicing is available. If your dealer is not a service agent, speak to them for information about the nearest service agent.

For spare parts, speak to Discount-equipment.

Maintenance schedule

* = General maintenance done by the operator. The instructions are not given in this operator's manual.
 X = The instructions are given in this operator's manual.
 O = Refer to the engine manual for instructions.

Maintenance	Before use, each 10 h	After the first 20 h	Monthly, each 200 h	Yearly, each 500 h
Make sure that there are no fuel or oil leaks.	*			
Clean the product.	X			
Make sure that nuts and screws are tightened.	*			
Do a check of the fuel level and the engine oil level.	X			
Clean the cooling fins of the engine.	O			O
Make sure that the throttle control, the clutch control and the choke control can move smoothly.	*			
Clean the air filter.	X	X		
Examine the clutch wire for damage and make sure that it is correctly adjusted.	*			
Lubricate the blade shafts.	X	X		
Replace the engine oil.		X	X	X
Replace the air filter.				X
Do a check of the engine speed.		O	O	
Examine the V-belt for damage.			X	
Examine and clean the spark plug. Replace the spark plug if it is necessary.			O	
Clean the fuel valve on the carburetor.			O	
Clean the spark arrester screen on the muffler.			O	
Adjust the valve head clearance for the air intake and the exhaust valves.				O
Drain the fuel and clean the fuel tank and the fuel filter.				O
Clean and adjust the carburetor.				O

To clean the product

- Remove concrete from the surfaces of the product after each operation before the concrete becomes hard.
- Use a high-pressure washer to clean the product.



CAUTION: Do not point the water directly at the fuel tank cap, electrical components or the engine.

- Remove grease and oil from the handle.

To do a check of the engine oil level

- Remove the oil tank cap and dipstick.
- Clean the oil from the dipstick.
- Put the dipstick back fully into the oil tank.
- Remove the dipstick.

- Examine the oil level on the dipstick.

- If the oil level is low, fill with engine oil and do a check of the oil level again. Refer to *Technical data* on page 24 or the engine manual for the correct type of oil.

To replace the engine oil

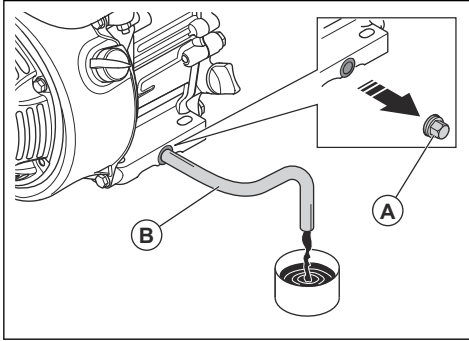
If the engine is cold, start the engine for 1–2 minutes before you drain the engine oil. This makes the engine oil warm and easier to drain.



WARNING: Engine oil is very hot directly after the engine stops. Let the engine become cool before you drain the engine oil. If you spill engine oil on your skin, clean with soap and water.

- Put a container below the drain plug for the engine oil.

2. Remove the oil drain plug (A) and connect a hose (B).



3. Tilt the product and let the oil run out into the container.
4. Remove the hose.
5. Install the oil drain plug and tighten it.
6. Fill with new engine oil. Refer to *Technical data on page 24* or the engine manual for the correct type of oil.
7. Do a check of the engine oil level.

Air filter



WARNING: Use approved respiratory protection when you clean or replace the air filter. Discard used air filters correctly. The dust in the air filter is dangerous to your health.



CAUTION: Always replace a damaged air filter, or the dust will go into the engine and cause engine damage.

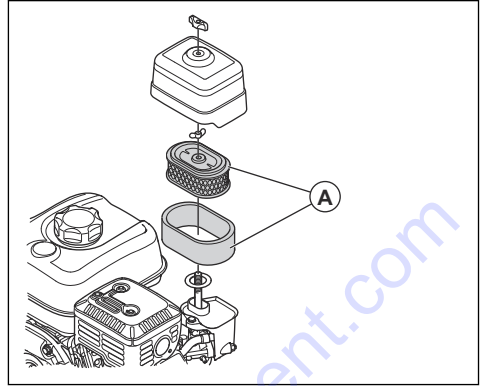
To clean or replace the air filter



WARNING: Do not clean the air filter with compressed air. This causes damage to the air filter and the risk increases that you breathe the dangerous dust.

1. Turn the knob on the air filter cover and remove the air filter cover.

2. Remove the paper filter element and the foam filter element (A).



3. Clean the air filter housing with a brush.
4. Examine the air filter elements for damage.
5. Tap the paper filter element against a hard surface or use a vacuum cleaner to remove the particles.



CAUTION: Do not let the nozzle of the vacuum cleaner touch the surface of the paper filter element. Keep a small distance. The sensitive surface of the paper filter element becomes damaged if objects touch it.

6. Clean the foam filter element with a solution of soap and water.
7. Flush the foam filter element in clean water.
8. Compress the foam filter element to remove the water and let the foam filter element dry fully.
9. Lubricate the foam filter element with engine oil.
10. Push a clean cloth against the foam filter element to remove unwanted oil.
11. Install the air filter in the opposite sequence.

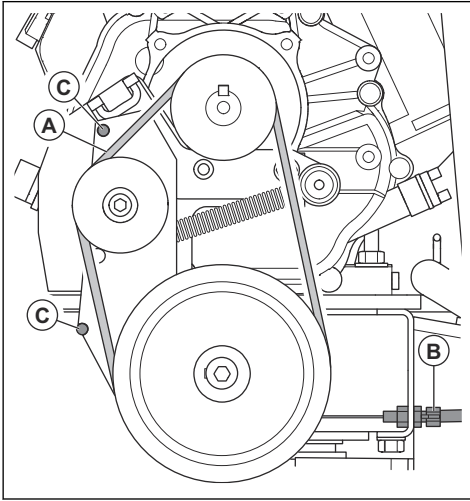
To do a check of the V-belt and adjust the clutch wire



WARNING: Do not operate the product without the V-belt cover installed.

1. Stop the engine.
2. Remove the V-belt cover.

3. Examine the V-belt (A) for damages and wear. Replace the V-belt if it is necessary.

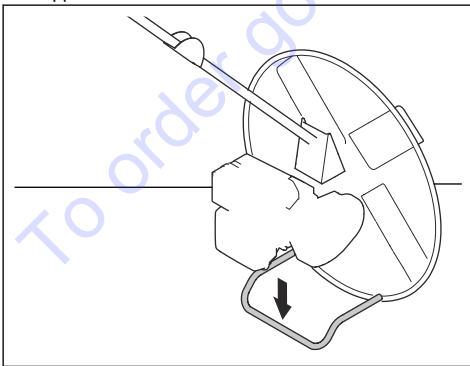


4. Examine the tension of the V-belt.
5. If the tension is not sufficient, adjust the clutch wire (B).
6. Examine the position of the V-belt in relation to the pins (C).
7. Install the V-belt cover.

To set the product in maintenance position

The maintenance position is used for all maintenance procedures in the blade area below the product.

1. Drain the fuel from the fuel tank.
2. Tilt the product forward until it is stable on the support frame.

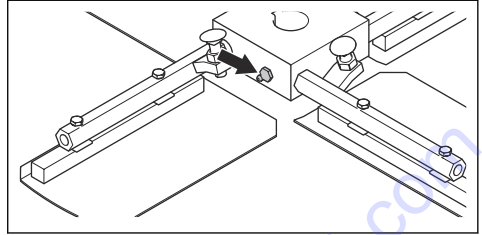


CAUTION: Do not tilt the product in other directions. Incorrect position of the product can cause oil to go into the carburetor.

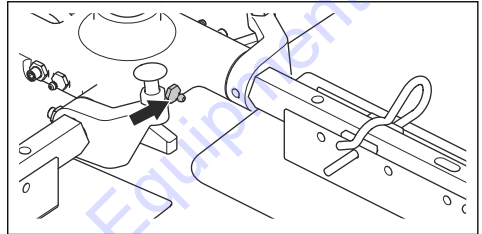
To lubricate the blade shafts

- Push grease through the grease nipples until grease comes out around the blade shafts.

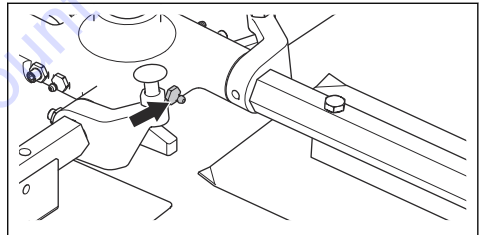
a) (BG 245):



b) (BG 375):

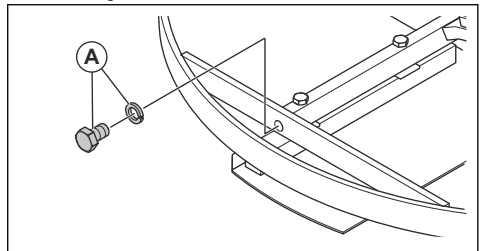


c) (BG 475):

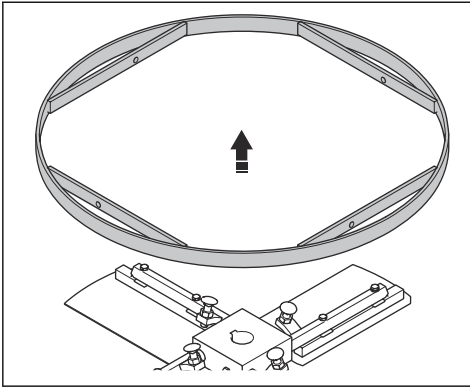


To clean or replace the blade shafts (BG 245)

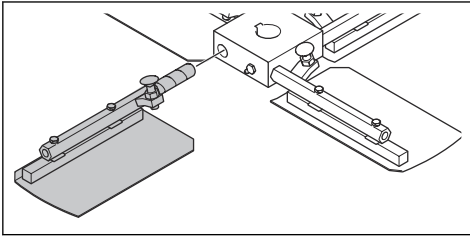
1. Remove the screws and washers (A) that hold the outer ring on the blade shafts.



2. Remove the outer ring.



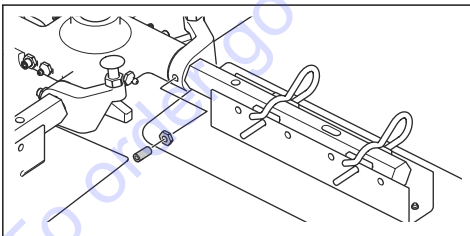
3. Pull the blade shafts from the hub.



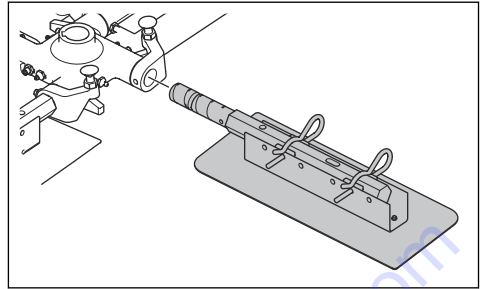
4. Replace damaged blade shafts.
5. Clean the contact surfaces on the blade shafts and the hub.
6. Lubricate the contact surfaces and install the blade shafts.

To clean or replace the blade shafts (BG 375)

1. Remove the nuts and screws from the blade shafts.



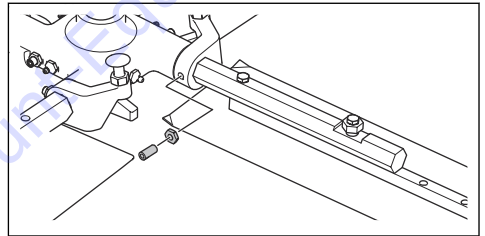
2. Pull the blade shafts from the hub.



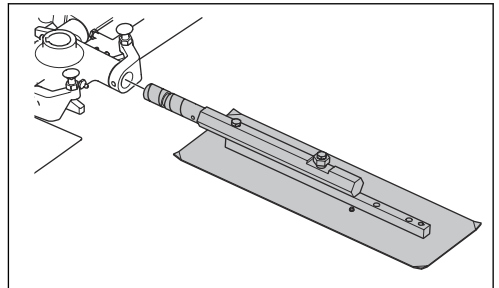
3. Replace damaged blade shafts.
4. Clean the contact surfaces on the blade shafts and the hub.
5. Lubricate the contact surfaces and install the blade shafts.

To clean or replace the blade shafts (BG 475)

1. Remove the nuts and screws from the blade shafts.



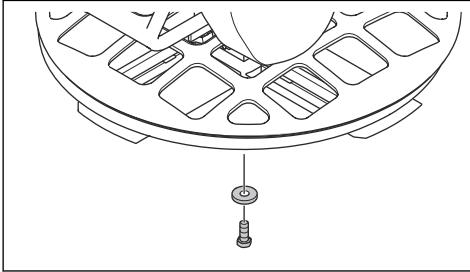
2. Pull the blade shafts from the hub.



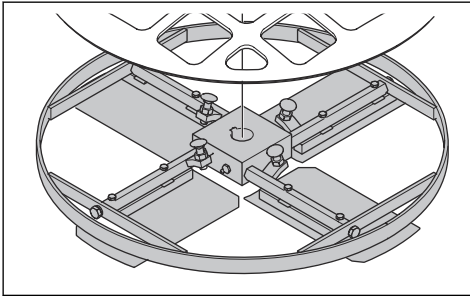
3. Replace damaged blade shafts.
4. Clean the contact surfaces on the blade shafts and the hub.
5. Lubricate the contact surfaces and install the blade shafts.

To clean or replace the bearing for the pressure plate (BG 245)

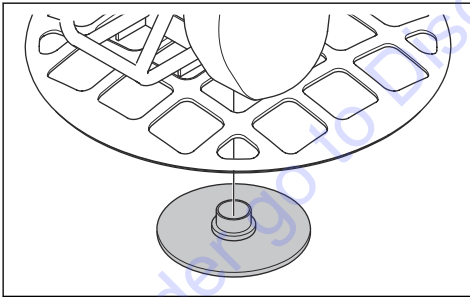
1. Remove the screw and washer.



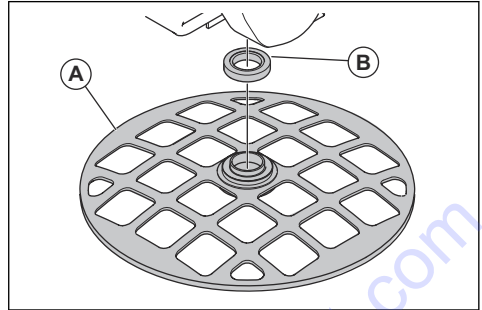
2. Remove the blade assembly. Use a puller if the blade assembly is not easy to remove.



3. Remove the pressure plate.



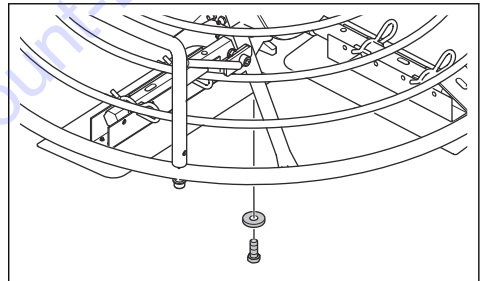
4. Remove the protection ring (A) and the needle bearing (B).



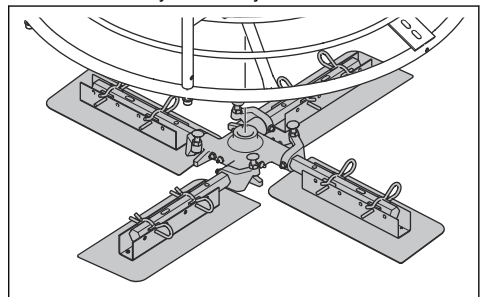
5. Clean the surfaces of all parts and lubricate carefully. Replace damaged parts.
6. Lubricate the needle bearing with grease. Refer to *Technical data on page 24* for correct type of grease.
7. Assemble in the opposite sequence.

To clean or replace the bearing for the pressure plate (BG 375, BG 475)

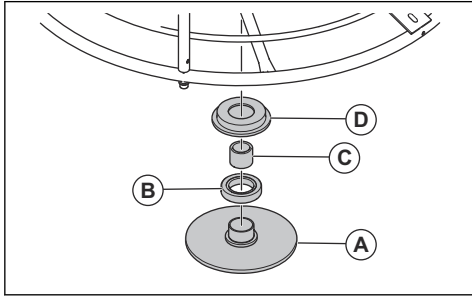
1. Remove the screw and washer.



2. Remove the blade assembly. Use a puller if the blade assembly is not easy to remove.



- Remove the pressure plate (A), the ball bearing (B), the bushing (C) and bearing plate (D).



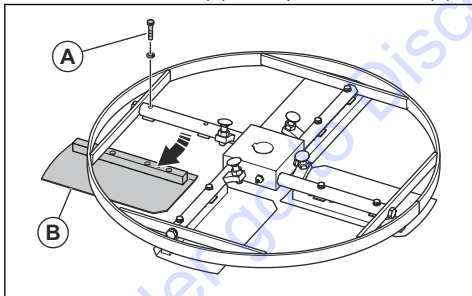
- Clean the surfaces of all parts and lubricate carefully.
- Lubricate the ball bearing with grease. Refer to *Technical data on page 24* for correct type of grease.
- Assemble in the opposite sequence.

To replace the blades (BG 245)



WARNING: Before you replace the blades, stop the product and let the engine become cool.

- Set the product in maintenance position. Refer to *To set the product in maintenance position on page 16*.
- Remove the screws (A) and replace the blades (B).



- Lubricate the blade shafts. Refer to *To lubricate the blade shafts on page 16*.

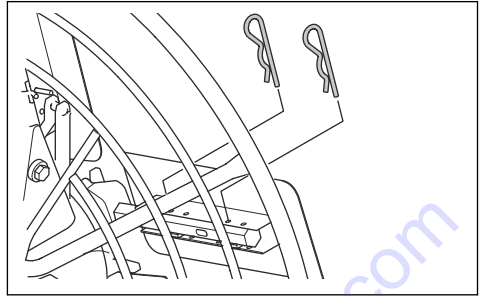
To replace the blades (BG 375)



WARNING: Before you replace the blades, stop the product and let the engine become cool.

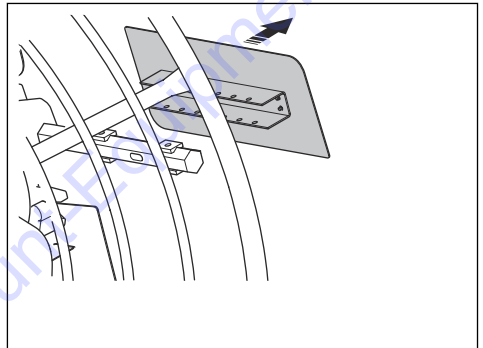
- Set the product in maintenance position. Refer to *To set the product in maintenance position on page 16*.
- Loosen the blades.

- For blades that have quick release, pull out the spring clips.

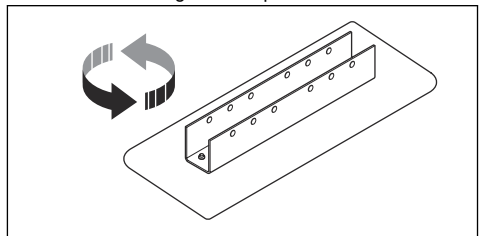


- For blades that do not have quick release, remove the screws.

- Replace the blades.



- If the blade has wear on one edge only, turn the blade 180 degrees and put it back.



- If the blade has wear on the front and rear edge, replace with a new blade.

- Lubricate the blade shafts. Refer to *To lubricate the blade shafts on page 16*.

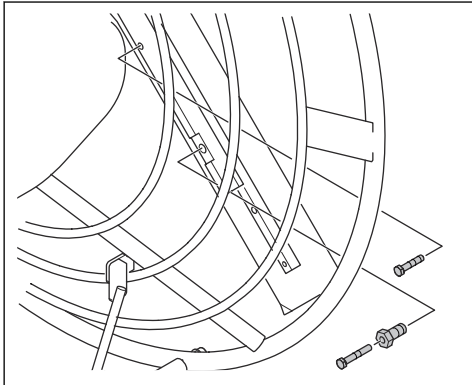
To replace the blades (BG 475)



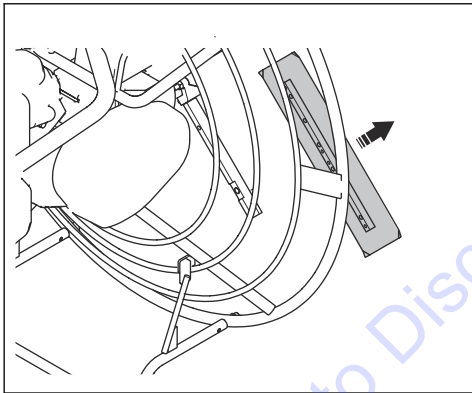
WARNING: Before you replace the blades, stop the product and let the engine become cool.

Note: This type of blade is also available for (BG 375).

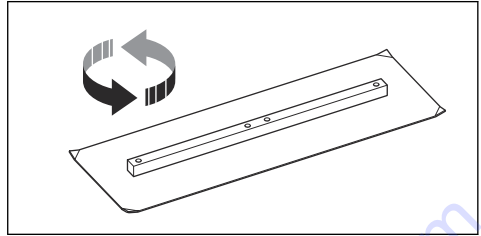
1. Set the product in maintenance position. Refer to *To set the product in maintenance position on page 16*.
2. Remove the screws.



3. Replace the blades.



- a) If the blade has wear on one edge only, turn the blade 180 degrees and put it back.



- b) If the blade has wear on the front and rear edge, replace with a new blade.
4. Lubricate the blade shafts. Refer to *To lubricate the blade shafts on page 16*.

Gearbox

It is not necessary to do maintenance on the gearbox. If the gearbox is disassembled or repaired, let the service center replace the oil. Refer to *Technical data on page 24* for recommended oil quality.

Troubleshooting

Problem	Cause	Solution
The product does not start.	The fuel tank is empty.	Fill the fuel tank.
	The engine ON/OFF switch is in the "OFF" position.	Set the engine ON/OFF switch to "ON".
	The fuel valve is closed.	Open the fuel valve.
	The engine is cold.	Close the choke.
	The engine is defective.	Refer to the engine manual.
The blades do not rotate, or rotate too slowly when the clutch control is engaged.	The V-belt is damaged.	Replace the V-belt.
	The tension of the V-belt around the belt pulleys is not sufficient.	Adjust the tension of the clutch wire.
	The clutch wire is broken.	Replace the clutch wire.

Problem	Cause	Solution
The blades do not rotate smoothly.	The engine is cold.	Let the engine operate at idle speed for 2–3 minutes before you operate the product.
	The engine speed is too low when the clutch control is engaged.	Increase the engine speed to full throttle before you engage the clutch control.
	For BG 245 and BG 375: a floating disc is used and the concrete is too fresh.	Let the concrete dry some more before you operate the product.
	The engine is defective.	Refer to the engine manual.
	The gearbox is defective.	Repair or replace the gearbox.
The product shakes.	1 or more of the blades are bent or defective.	Replace damaged blades.
	1 or more of the blades do not move correctly in the hub.	Remove the blades. Clean and lubricate all contact surfaces.
	The pressure plate is bent or defective.	Replace the pressure plate.
The blade adjustment system is defective.	The clutch wire is broken.	Replace the clutch wire.
	1 or more of the blades do not move correctly in the hub.	Remove the blades. Clean and lubricate all contact surfaces.
	The pressure plate does not move vertically.	Disassemble the blade assembly. Clean and lubricate all contact surfaces.
	The blade adjustment control on the handlebar is defective.	Examine all parts of the blade adjustment control for damage and replace if it is necessary.

Transportation, storage and disposal

Transportation

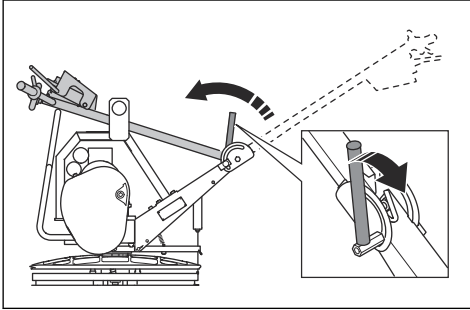


WARNING: Be careful during transportation. The product is heavy and can cause injury if it falls.

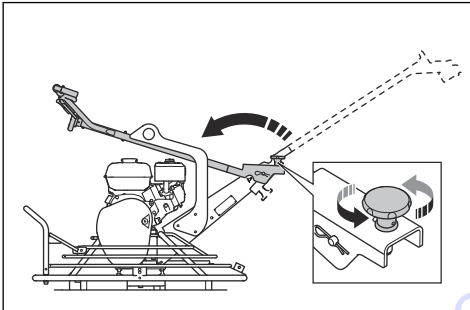
- Do not put the product on its side during transportation. The bottom side of the product must always be down.
- Fold the handle. Refer to *To set the product in transport position on page 22*.
- If an optional floating disc is installed, remove it before transportation.
- When you use a vehicle for transportation of the product, make sure that the product is sufficiently attached and cannot move. Attach 1 tie-down strap to the operation handle and the vehicle. Attach 1 tie-down strap to the support frame for maintenance position and the vehicle.

To set the product in transport position

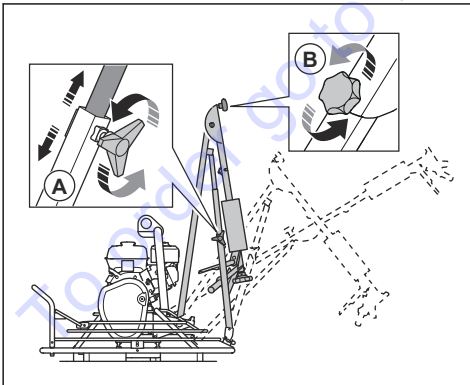
- For BG 245: Loosen the lever and fold the handle forward.



- For BG 375 (H5-BC): Loosen the locking knob and fold the handle forward.



- For BG 375 (H6-BC, H9-BC) and BG 475:
 - a) Loosen the locking knob at the lower part of the handle (A) and the locking knob at the central hinge (B).



- b) Push the lower part of the handle forward.
- c) Fold the top part of the handle rearward.

To lift the product



WARNING: Make sure that the lifting equipment has the correct dimension. The type plate on the product shows the product weight.



WARNING: Do not lift a damaged product. Make sure that the lifting eye is correctly installed and not damaged.



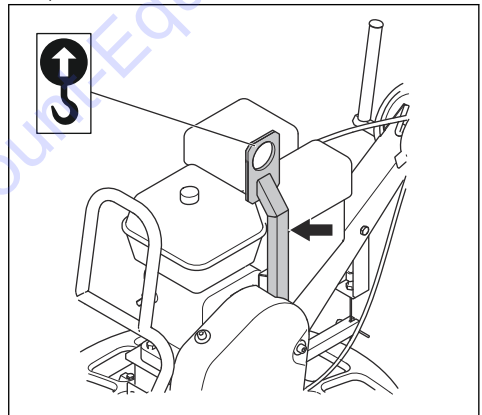
WARNING: Do not walk or stay below or near a lifted product.

- Attach the lifting equipment to the lifting eye.

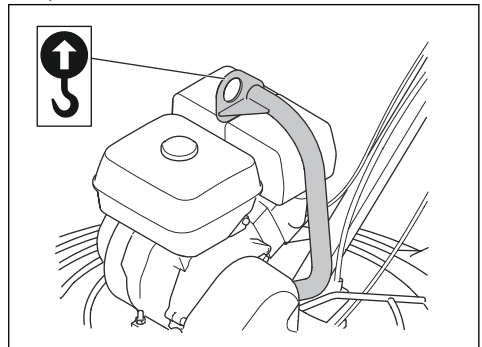


WARNING: Do not use metal hooks, chains or other lifting equipment with rough edges that can cause damage to the lifting eye.

- a) BG 245:



- b) BG 375, BG 475:



The operation handle and the support frame for maintenance position are strong structures that you can hold when you move a lifted product.



CAUTION: Do not lift the product at the protection ring.

Storage

- Clean the product before storage.
- If the product is set in maintenance position before storage, make sure that the fuel tank is not more than half full. There is a risk that fuel comes out of the venthole in the fuel tank cap.
- Keep the product in a dry and frost free area.
- Keep the product in a locked area to prevent access for children or persons that are not approved.

To order go to Discount-Equipment.com

Technical data

Technical data

	BG 245	BG 375 H5- BC	BG 375 H6-BC	BG 375 H9-BC	BG 475
Net weight, kg/lb	58/128	83/183	90.5/200	98/216	101/222.7
Operation weight, EN500, kg/lb	60/132	87/192	93/205	102/225	105/231.5
Engine brand, type	Honda, GX 120	Honda, GX 160	Honda, GX 200	Honda, GX 270	Honda, GX 270
Engine power, kW/hp @rpm ¹	2.6/3.5 @3600	3.6/4.8 @3600	4.1/5.5 @3600	6.3/8.5 @3600	6.3/8.5 @3600
Blade speed, r.p.m	40-115	40-115	40-115	40-115	40-115
Type of handle	Short foldable	Foldable Vibrioreduced	Long foldable	Long foldable	Long foldable
Clutch type	Belt clutch	Belt clutch	Belt clutch	Belt clutch	Belt clutch
Type of blade angle adjustment	Twist pitch	Twist pitch	Twist pitch	Twist pitch	Twist pitch
Type of blade arms	Bolt on	Quick release/Bolt on	Quick release/Bolt on	Quick release/Bolt on	Bolt on
Maintenance frame	N/A	Standard	Standard	Standard	Standard
Fuel tank capacity, l/qts	2.5/2.6	3.1/3.3	3.1/3.3	5.3 /5.6	5.3/5.6
Oil tank capacity, l/qts	0.6/0.63	0.6/0.63	0.6/0.63	0.6/0.63	1.1/1.16
Fuel consumption, l/h or qts/h	1.0 or 1.06	1.4 or 1.5	1.7 or 1.8	2.4 or 2.5	2.4 or 2.5
Gearbox oil capacity, l/qts	0.55/0.58	0.55/0.58	0.55/0.58	0.55/0.58	0.55/0.58
Fuel	Unleaded gasoline, max. 10% ethanol	Unleaded gasoline, max. 10% ethanol	Unleaded gasoline, max. 10% ethanol	Unleaded gasoline, max. 10% ethanol	Unleaded gasoline, max. 10% ethanol
Engine oil	SAE 10W-30, API Class SJ	SAE 10W-30, API Class SJ	SAE 10W-30, API Class SJ	SAE 10W-30, API Class SJ	SAE 10W-30, API Class SJ
Grease, shaft for blade adjustments	Shell Gadus S2 V100 or equivalent	Shell Gadus S2 V100 or equivalent	Shell Gadus S2 V100 or equivalent	Shell Gadus S2 V100 or equivalent	Shell Gadus S2 V100 or equivalent
Gearbox oil	Shell Omala S4 WE 460	Shell Omala S4 WE 460	Shell Omala S4 WE 460	Shell Omala S4 WE 460	Shell Omala S4 WE 460

¹ As specified by the engine manufacturer. The power rating of the engine indicated is the average net output (at specified rpm) of a typical production engine for the engine model measured to SAE standard J1349/ISO1585. Mass production engines may differ from this value. Actual power output for the engine installed on the final product will depend on the operating speed, environmental conditions and other values.

For further information and questions about this specific engine, refer to the engine manual or the web site of the engine manufacturer.

Noise emissions	BG 245	BG 375 H5-BC	BG 375 H6-BC	BG 375 H9-BC	BG 475
Sound power level L_w measured, dB(A) rel 1pW^2	97	104	104	104	104
Sound pressure level L_p at the operators ear, dB(A) ³	84	92	92	92	92

Vibration levels ⁴	BG 245	BG 375 H5-BC	BG 375 H6-BC	BG 375 H9-BC	BG 475
Vibration, three axes values, level a_n , m/s^2	6.2	3.5	3.5	3.5	3.5

Weights for options	BG 245	BG 375 H5-BC	BG 375 H6-BC	BG 375 H9-BC	BG 475
Floating disc, kg/lbs	6.7/14.7	16/35.3	16/35.3	16/35.3	N/A
Floating disc, mm/in.	610/24	945/37.2	945/37.2	945/37.2	N/A
Trowel blades, 4 units, kg/lbs	3.1/6.9	5.2/11.4	5.2/11.4	5.2/11.4	6.4/14.1
Trowel blade, mm/in.	600/23.6	900/35.4	900/35.4	900/35.4	1140/44.9
Protection ring, mm/in.	615/24.2	950/37.4	950/37.4	950/37.4	1200/47.2
Floating blade, 4 units, kg/lbs	N/A	9/19.8	9/19.8	9/19.8	12.4/27.3
Floating blade, mm/in.	N/A	945/37.2	945/37.2	945/37.2	1160/45.7

Noise and vibration declaration statement

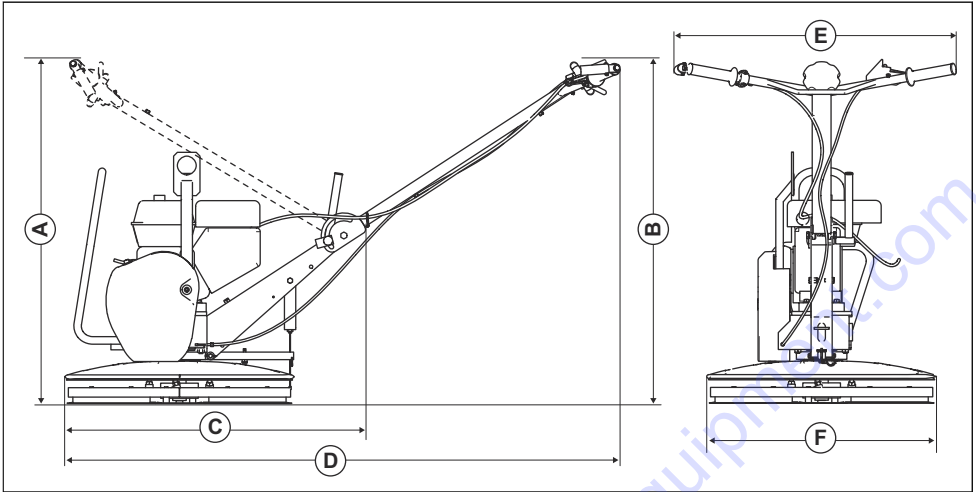
These declared values were obtained by laboratory type testing in accordance with the stated directive or standards and are suitable for comparison with the declared values of other products tested in accordance with the same directive or standards. These declared values are **not** suitable for use in risk assessments and values measured in individual work places may be higher. The actual exposure values and risk of harm experienced by an individual user are unique and depend upon the way the user works, in what material the product is used, as well as upon the exposure time and the physical condition of the user, and the condition of the product.

² Measured sound power level L_w according to EN 12649, EN ISO 3744. Uncertainty K_{WA} 2.5 dB(A).

³ Sound pressure level L_p according to EN 12649, EN ISO 11201. Uncertainty K_{pA} 2.5 dB(A).

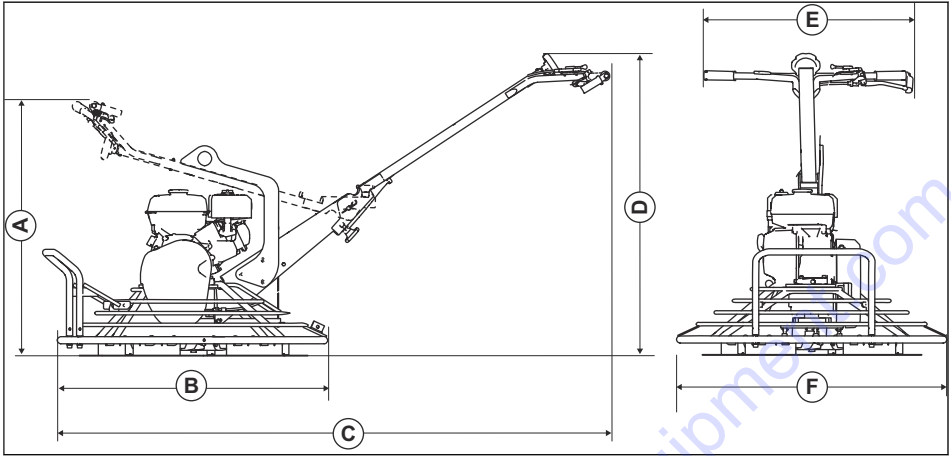
⁴ **Vibration value determined according to EN 12649. Reported data for vibration level has a typical statistical dispersion (standard deviation) of 1.5 m/s^2 .**

Product dimensions, BG 245



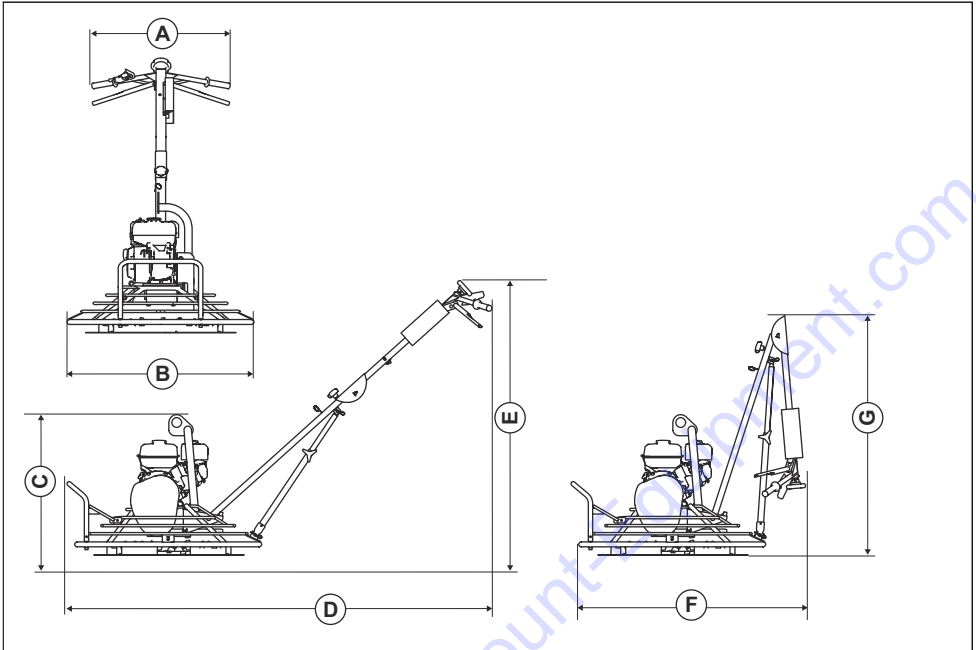
A	Height with handle folded, mm/in.	850/33.5	D	Length including handle, mm/in.	1449/57.0
B	Handle height, mm/in.	929/36.6	E	Handle width, mm/in.	631/24.8
C	Length with handle folded, mm/in.	799/31.5	F	Width of blade assembly, mm/in.	610/24.0

Product dimensions, BG 375 (H5-BC)



A	Height with handle folded, mm/in.	1100/43.3	D	Handle height, mm/in.	1060/41.7
B	Length with handle folded, mm/in.	1220/48	E	Handle width, mm/in.	735/28.9
C	Length including handle, mm/in.	1950/76.8	F	Width of blade assembly, mm/in.	950/37.4

Product dimensions, BG 375 (H6-BC, H9-BC), BG 475



A	Handle width, mm/in.	700/27.6	E	Handle height, mm/in.	1300/51.2
B	Width of blade assembly, mm/in.	950/37.4	F	Length with handle folded, mm/in.	1120/44.1
C	Height without handle, mm/in.	795/31.3	G	Height with handle folded, mm/in.	1220/48
D	Length including handle, mm/in.	2275/89.6			

EC Declaration of Conformity

EC Declaration of Conformity

Description	Concrete Smoothing Machine, Trowel
Brand	Husqvarna
Type/Model	BG 245, BG 375, BG 475
Identification	Serial numbers dating from 2019 and onwards

complies fully with the following EU directives and regulations:

Directive/Regulation	Description
2006/42/EC	"relating to machinery"
2014/30/EU	"relating to electromagnetic compatibility"



To order go to Discount-Equipment.com

Original instructions

1140377-26



2021-03-05

TO PURCHASE THIS PRODUCT PLEASE CONTACT US



**Equipment Financing and
Extended Warranties Available**



**Discount-Equipment.com is your online resource for
commercial and industrial quality parts and equipment sales.**

561-964-4949

visit us on line @ www.discount-equipment.com

Select an option below to find your Equipment

Search by Manufacturer

Search by Product Type

Request a Quote

We sell worldwide for the brands: Genie, Terex, JLG, MultiQuip, Mikasa, Essick, Whiteman, Mayco, Toro Stone, Diamond Products, Generac Magnum, Airman, Haulotte, Barreto, Power Blanket, Nifty Lift, Atlas Copco, Chicago Pneumatic, Allmand, Miller Curber, Skyjack, Lull, Skytrak, Tsurumi, Husquvarna Target, Stow, Wacker, Sakai, Mi-T-M, Sullair, Basic, Dynapac, MBW, Weber, Bartell, Bennar Newman, Haulotte, Ditch Runner, Menegotti, Morrison, Contec, Buddy, Crown, Edco, Wyco, Bomag, Laymor, EZ Trench, Bil-Jax, F.S. Curtis, Gehl Pavers, Heli, Honda, ICS/PowerGrit, IHI, Partner, Imer, Clipper, MMD, Koshin, Rice, CH&E, General Equipment, Amida, Coleman, NAC, Gradall, Square Shooter, Kent, Stanley, Tamco, Toku, Hatz, Kohler, Robin, Wisconsin, Northrock, Oztec, Toker TK, Rol-Air, APT, Wylie, Ingersoll Rand / Doosan, Innovatech, Con X, Ammann, Mecalac, Makinex, Smith Surface Prep, Small Line, Wanco, Yanmar