

PARTS MANUAL



WHITEMAN
MODEL PRX
RIDE-ON POWER FLOAT
(FORD 3.7L DUAL FUEL GAS/PROPANE ENGINE)

Revision #0 (01/07/21)



www.discount-equipment.com

THIS MANUAL MUST ACCOMPANY THE EQUIPMENT AT ALL TIMES.

PN: 45742

PARTS FINDER

**Search Website
by Part Number**



**Search Manual
Library For Parts
Manual & Lookup Part
Numbers – Purchase
or Request Quote**

Search Manuals

Enter your information to help us find the right parts manual for your machine.

* Brand:

* Model:

* Serial:

* Part Number:

SEARCH

**Can't Find Part or
Manual? Request Help
by Manufacturer,
Model & Description**

Parts Order Form

Please fill in the following information to help us find the right part for your machine.

Manufacturer:	<input type="text"/>
Model:	<input type="text"/>
Description:	<input type="text"/>
Part Number:	<input type="text"/>
Quantity:	<input type="text"/>
Notes:	<input type="text"/>

Submit

Discount-Equipment.com is your online resource for quality parts & equipment.

Florida: **561-964-4949** Outside Florida TOLL FREE: **877-690-3101**

Need parts?

Click on this link: <http://www.discount-equipment.com/category/5443-parts/> and choose one of the options to help get the right parts and equipment you are looking for. Please have the machine model and serial number available in order to help us get you the correct parts. If you don't find the part on the website or on one of the online manuals, please fill out the request form and one of our experienced staff members will get back to you with a quote for the right part that your machine needs.

We sell worldwide for the brands: Genie, Terex, JLG, MultiQuip, Mikasa, Essick, Whiteman, Mayco, Toro Stone, Diamond Products, Generac Magnum, Airman, Haulotte, Barreto, Power Blanket, Nifty Lift, Atlas Copco, Chicago Pneumatic, Allmand, Miller Curber, Skyjack, Lull, Skytrak, Tsurumi, Husquvarna Target, Stow, Wacker, Sakai, Mi-T-M, Sullair, Basic, Dynapac, MBW, Weber, Bartell, Bennar Newman, Haulotte, Ditch Runner, Menegotti, Morrison, Contec, Buddy, Crown, Edco, Wyco, Bomag, Laymor, EZ Trench, Bil-Jax, F.S. Curtis, Gehl Pavers, Heli, Honda, ICS/PowerGrit, IHI, Partner, Imer, Clipper, MMD, Koshin, Rice, CH&E, General Equipment, Amida, Coleman, NAC, Gradall, Square Shooter, Kent, Stanley, Tamco, Toku, Hatz, Kohler, Robin, Wisconsin, Northrock, Oztec, Toker TK, Rol-Air, APT, Wylie, Ingersoll Rand / Doosan, Innovatech, Con X, Ammann, Mecalac, Makinex, Smith Surface Prep, Small Line, Wanco, Yanmar

TABLE OF CONTENTS

PRX Ride-On Power Float

Table of Contents.....	2
Explanation of Code in Remarks Column.....	4
Suggested Spare Parts	5

Component Drawings

Nameplate and Decals Assembly.....	6-7
Hood and Cowlings Assembly.....	8-9
Frame and Platform Assembly	10-11
Steps Assembly.....	12-13
Crossmember and Lift Rings Assembly	14-15
Left Frame Console Assembly.....	16-17
Right Frame Console Assembly	18-19
Seat Frame Assembly	20-21
Document Holder Assembly	22-23
Frame Accessories Assembly	24-25
Spray Assembly.....	26-27
Left-Hand Steering Valve Assembly	28-29
Right-Hand Steering Valve Assembly.....	30-31
Steering Struts Assembly	32-33
Hydraulic Steering Cylinders Assembly.....	34-35
Hydraulic Cooler Assembly	36-37
Hydraulic Filter Assembly	38-39
Hydraulic Hose Kit Assembly (Complete).....	40-41
Hyd. Hose Assy. (Hyd. Steering Cylinders).....	42-43
Hyd. Hose Assy. (Tank/Pump/Filter/Cooler/Motors)...	44-45
Hydraulic Tubing Assembly.....	46-47
Left-Side Drive Assembly	48-49
Right-Side Drive Assembly.....	50-51
Spiders and Pans Assembly	52-53

Electric Drive Cooling Hose Kit Assy. (Complete)...	54-55
Elect. Drive Cooling Hose Assy. (Motors)	56-57
Elect. Drive Cooling Hose Assy. (Generator/Pump)...	58-59
Elect. Drive Cooling Hose Clamps Assembly ...	60-61
Coolant Tank and Heat Exchangers Assembly...	62-63
Coolant Pump and Manifolds Assembly	64-65
Fluid Drain Valves Assembly	66-67
Harness Assembly (Main)	68-69
Harness Assy. (Left)	70-71
Harness Assy. (Right)	72-73
Harness Assy. (Console)	74-75
Harness Assy. (Energy Storage Bank)	76-77
Harness Assy. (Seat Switch and Fuel Tank)	78-79
Battery Assembly.....	80-81
Lights Assembly	82-83
Electrical Panel Assembly	84-85
Energy Storage Bank Assembly	86-87
High Voltage Power Cables Assembly.....	88-89
High Voltage Cable Clamps Assembly	90-91
Generator Assembly.....	92-93
Engine Mounting Assembly	94-95
Radiator Assembly	96-97
Air Intake Assembly.....	98-99
Exhaust Assembly	100-101
Fuel Tank Assembly.....	102-103
Fuel Pump Assembly.....	104-105
Filter Kit Assembly.....	106-107
Engine Service Parts.....	108-109

NOTICE

Specifications and part numbers are subject to change without notice.

EXPLANATION OF CODE IN REMARKS COLUMN

The following section explains the different symbols and remarks used in the Parts section of this manual. Use the help numbers found on the back page of the manual if there are any questions.

NOTICE

The contents and part numbers listed in the parts section are subject to change **without notice**. Multiquip does not guarantee the availability of the parts listed.

SAMPLE PARTS LIST

NO.	PART NO.	PART NAME	QTY.	REMARKS
1	12345	BOLT	1	INCLUDES ITEMS W/%
2%		WASHER, 1/4 IN.		NOT SOLD SEPARATELY
2%	12347	WASHER, 3/8 IN. ...	1	MQ-45T ONLY
3	12348	HOSE	A/R	MAKE LOCALLY
4	12349	BEARING	1	S/N 2345B AND ABOVE

NO. Column

Unique Symbols — All items with same unique symbol (@, #, +, %, or >) in the number column belong to the same assembly or kit, which is indicated by a note in the “Remarks” column.

Duplicate Item Numbers — Duplicate numbers indicate multiple part numbers, which are in effect for the same general item, such as different size saw blade guards in use or a part that has been updated on newer versions of the same machine.

NOTICE

When ordering a part that has more than one item number listed, check the remarks column for help in determining the proper part to order.

PART NO. Column

Numbers Used — Part numbers can be indicated by a number, a blank entry, or TBD.

TBD (To Be Determined) is generally used to show a part that has not been assigned a formal part number at the time of publication.

A blank entry generally indicates that the item is not sold separately or is not sold by Multiquip. Other entries will be clarified in the “Remarks” Column.

QTY. Column

Numbers Used — Item quantity can be indicated by a number, a blank entry, or A/R.

A/R (As Required) is generally used for hoses or other parts that are sold in bulk and cut to length.

A blank entry generally indicates that the item is not sold separately. Other entries will be clarified in the “Remarks” Column.

REMARKS Column

Some of the most common notes found in the “Remarks” Column are listed below. Other additional notes needed to describe the item can also be shown.

Assembly/Kit — All items on the parts list with the same unique symbol will be included when this item is purchased.

Indicated by:

“INCLUDES ITEMS W/(unique symbol)”

Serial Number Break — Used to list an effective serial number range where a particular part is used.

Indicated by:

“S/N XXXXX AND BELOW”

“S/N XXXX AND ABOVE”

“S/N XXXX TO S/N XXX”

Specific Model Number Use — Indicates that the part is used only with the specific model number or model number variant listed. It can also be used to show a part is NOT used on a specific model or model number variant.

Indicated by:

“XXXXX ONLY”

“NOT USED ON XXXX”

“Make/Obtain Locally” — Indicates that the part can be purchased at any hardware shop or made out of available items. Examples include battery cables, shims, and certain washers and nuts.

“Not Sold Separately” — Indicates that an item cannot be purchased as a separate item and is either part of an assembly/kit that can be purchased, or is not available for sale through Multiquip.

SUGGESTED SPARE PARTS

PRX HYDRAULIC RIDE-ON TROWEL

1 to 3 units

Qty.	P/N	Description
1.....	23959.....	SWITCH, IGNITION
1.....	23959-01	KEY, IGNITION
1.....	45132-01	CAP, HYD. OIL RESERVOIR
1.....	45645.....	CAP, CYCLONE, DRAIN
2.....	22725-600	FUSE, 60 AMP J CASE
2.....	22725-300	FUSE, 30 AMP J CASE
2.....	42616-1	FILTER MED. ELEMENT
1.....	45141.....	FUEL CAP W/ 5" TETHER
1.....	43839.....	FILTER, AIR, ENGINE
1.....	42322.....	FILTER, PROPANE IN-LINE
2.....	42140.....	POWER RELAY MODULE
2.....	43988.....	FILTER SERVICE KIT
2.....	43963.....	HYD.FILTER, MAGNETICMIDI

FORD 3.7L DUAL FUEL ENGINE

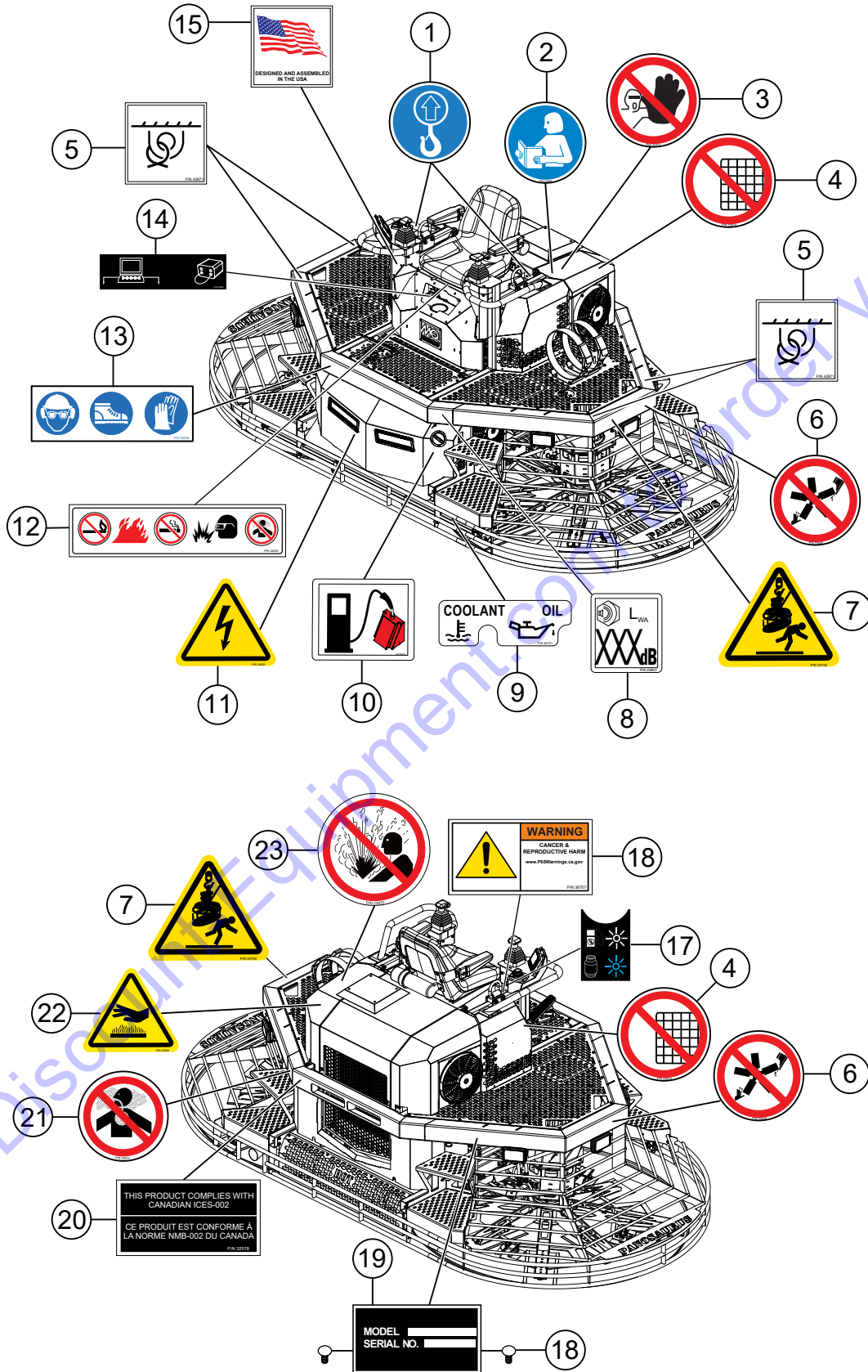
1 to 3 units

Qty.	P/N	Description
1.....	43140-02	GASOLINE FUEL PUMP
1.....	43140-04	FUEL FILTER
6.....	43838-04	SPARK PLUG
1.....	43838-05	OIL PRESSURE SWITCH
1.....	43838-29	FL-500S OIL FILTER
1.....	43140-53	FUEL PUMP/POWER RELAY
1.....	43140-54	STARTER RELAY
1.....	43140-55	STARTER FUSE 20 AMP
1.....	43838-39	OIL INDICATOR (DIP STICK)
1.....	43838-40	OIL FILL CAP

NOTICE

Part numbers on this Suggested Spare Parts list may supersede/replace the part numbers shown in the following parts lists.

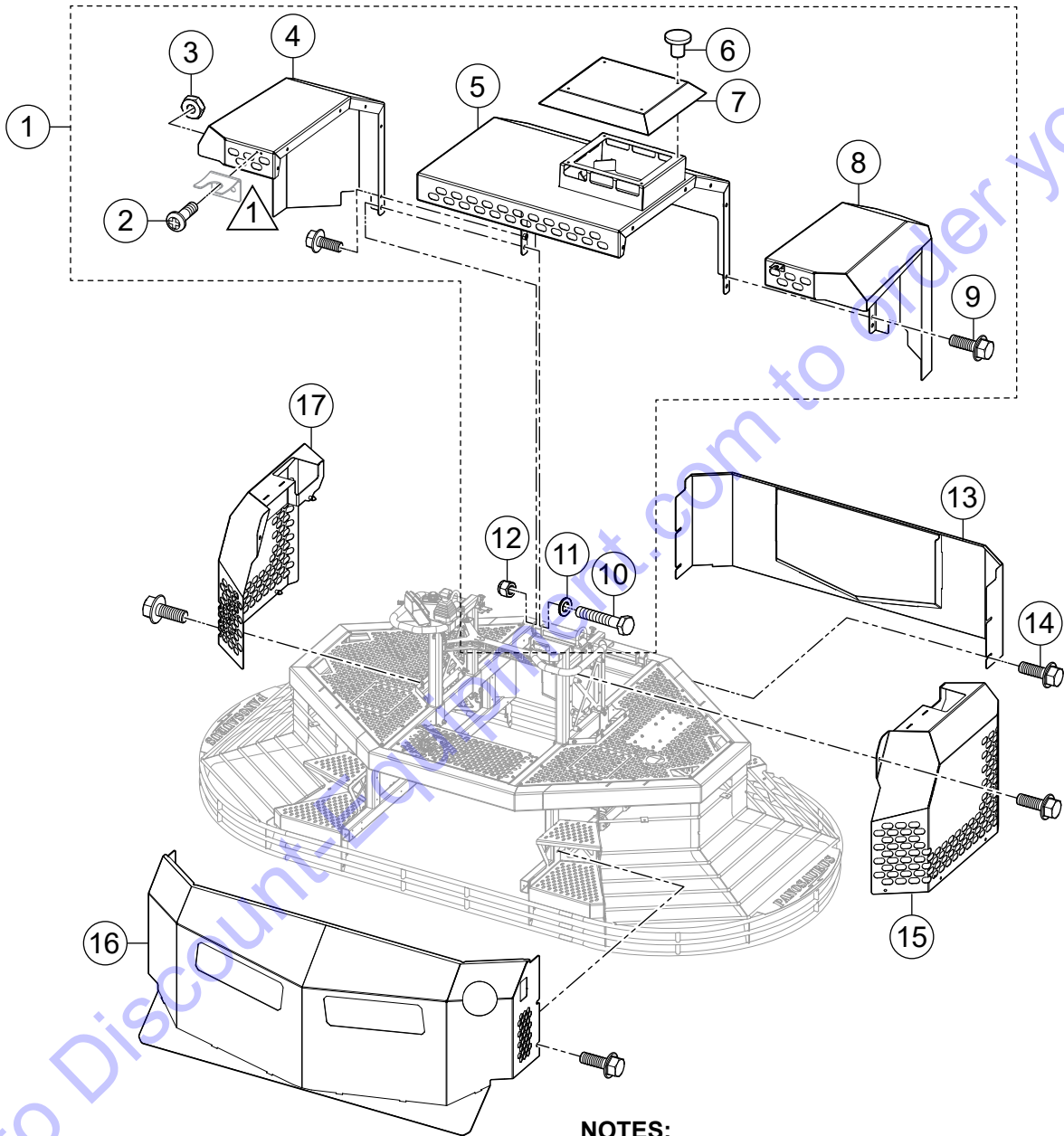
NAMEPLATE AND DECALS ASSY.




NAMEPLATE AND DECALS ASSY.

<u>NO.</u>	<u>PART NO.</u>	<u>PART NAME</u>	<u>QTY.</u>	<u>REMARKS</u>
1	23805	DECAL ISO, LIFTING POINT, 1.00" DIA.	2	
2	23699	DECAL ISO, READ MANUAL	1	
3	23701	DECAL ISO, ASK FOR TRAINING	1	
4	23874	DECAL ISO, DO NOT REMOVE GUARDS, HAZARD 2"	2	
5	42971	DECAL ISO, TIE-DOWN	4	
6	23698	DECAL ISO, ROTATING BLADE HAZARD	2	
7	23700	DECAL ISO, LIFTING/CRUSH, 2.4" X 2.0"	2	
8	23803-127	DECAL, GUARANTEED SOUND POWER LEVEL	1	
9	45731	DECAL, COOLANT AND OIL DRAINS	1	
10	23812	DECAL ISO, FUEL GASOLINE 3.0" X 2.45"	1	
11	34621	DECAL, ISO, HIGH VOLTAGE HAZARD, 2.4" X 2.0"	1	
12	34630	DECAL ISO, FIRE, EXPLOSION, SMOKING HAZARD	1	
13	36099	DECAL ISO, PROTECTIVE CLOTHING, 3.50" X 1.13"	2	
14	42595	DECAL, SERVICE TOOL, JUMPER	1	
15	30538	DECAL, FLAG DESIGNED ASM IN USA	1	
16	38707	DECAL, CANCER AND REPRODUCTIVE HARM	1	
17	43739	DECAL, PUSH BUTTON FUEL SELECTOR	1	
18	4014	SCREW, 2-3/16 P-K TYPE U-DRIVE	2	
19	13818	SN TAG, CE ROT	1	
20	32578	DECAL, CANADIAN COMPLIANCE	1	
21	23810	DECAL ISO, INHALATION HAZARD, 2"	1	
22	23808	DECAL ISO, HOT SURFACE HAZARD	1	
23	23875	DECAL ISO, HOT COOLANT, 2.00" DIA.	1	

HOOD AND COWLINGS ASSY.



NOTES:

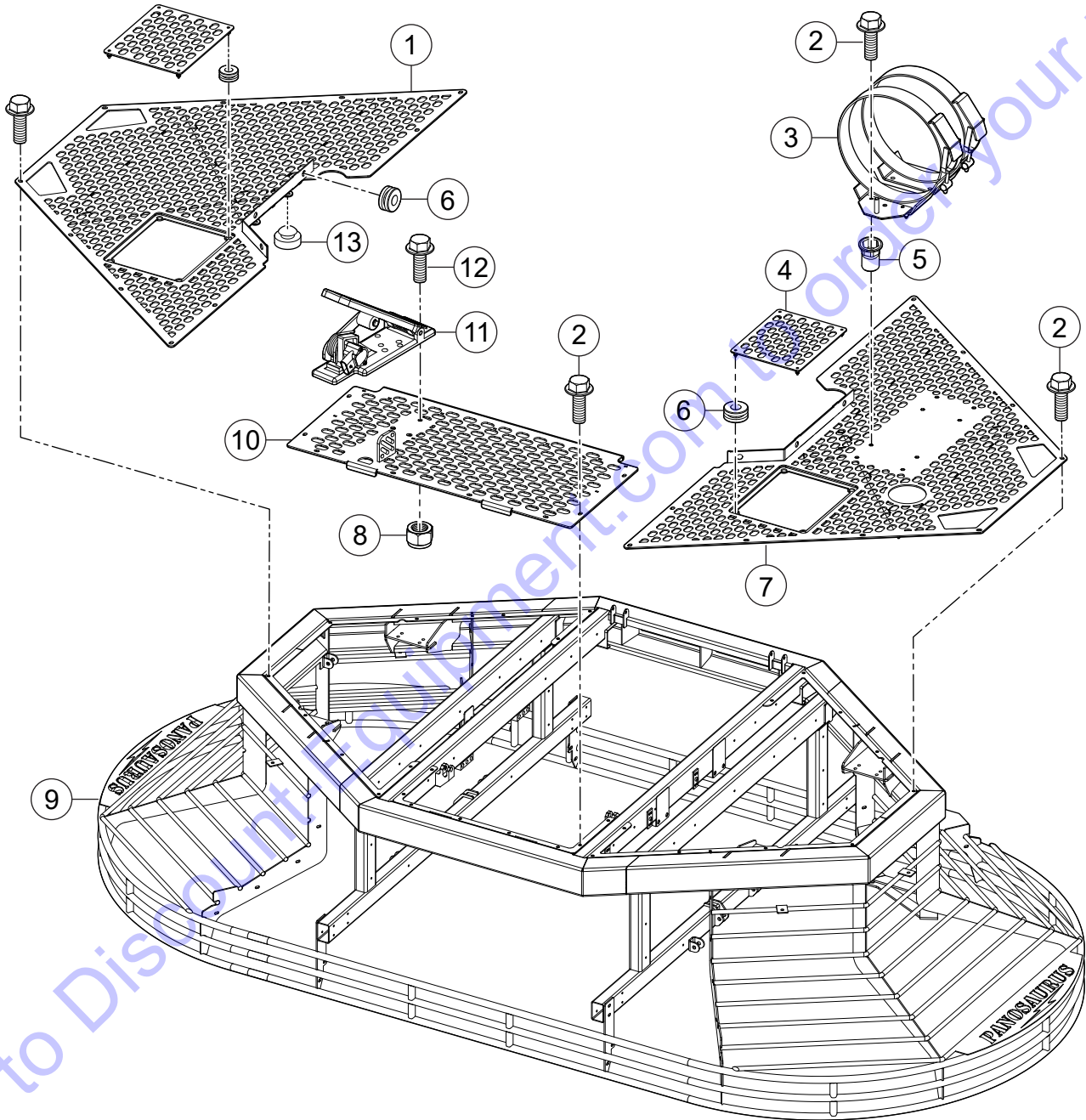

 FOR LATCH HOOK, SEE P/N 20673
 ON LEFT FRAME CONSOLE ASSY.
 OR RIGHT FRAME CONSOLE ASSY.

HOOD AND COWLINGS ASSY.

<u>NO.</u>	<u>PART NO.</u>	<u>PART NAME</u>	<u>QTY.</u>	<u>REMARKS</u>
1	45133	HOOD ASSY.....	1.....	INCLUDES ITEMS W/@
2@	1307	SCREW, PHP 8-32 X 1/2"	4	
3@	13287	NUT, NYLOC 8-32	4	
4@	43899	HOOD, RIGHT	1	
5@	43896	HOOD, CENTER	1	
6@	19847	RIVET, POP, ALUM., 3/16" X 1/8-1/4" GRIP	4	
7@	45592	RAIN CAP, TOP - INTAKE	1	
8@	43898	HOOD, LEFT	1	
9@	42542	SCREW, HHFS M6-1.0 X 16	12	
10@	42888	SCREW, HHC M10-1.50 X 75MM GR10.9	2	
11@	940358	WASHER, FLAT, 10MM ID X 20MM OD, ZP	2	
12@	42889	NUT, HEX NYLOC, M10-1.50, GR10.9	2	
13	45209	COWLING, REAR	1	
14	42325	SCREW, HHC, M6-1.0 X 20, CAPTIVE WASHER	15	
15	43880	COVER, LEFT	1	
16	45122	COWLING, FRONT	1	
17	43881	COVER, RIGHT	1	

Go to Discount-Equipment.com to order your parts

FRAME AND PLATFORM ASSY.

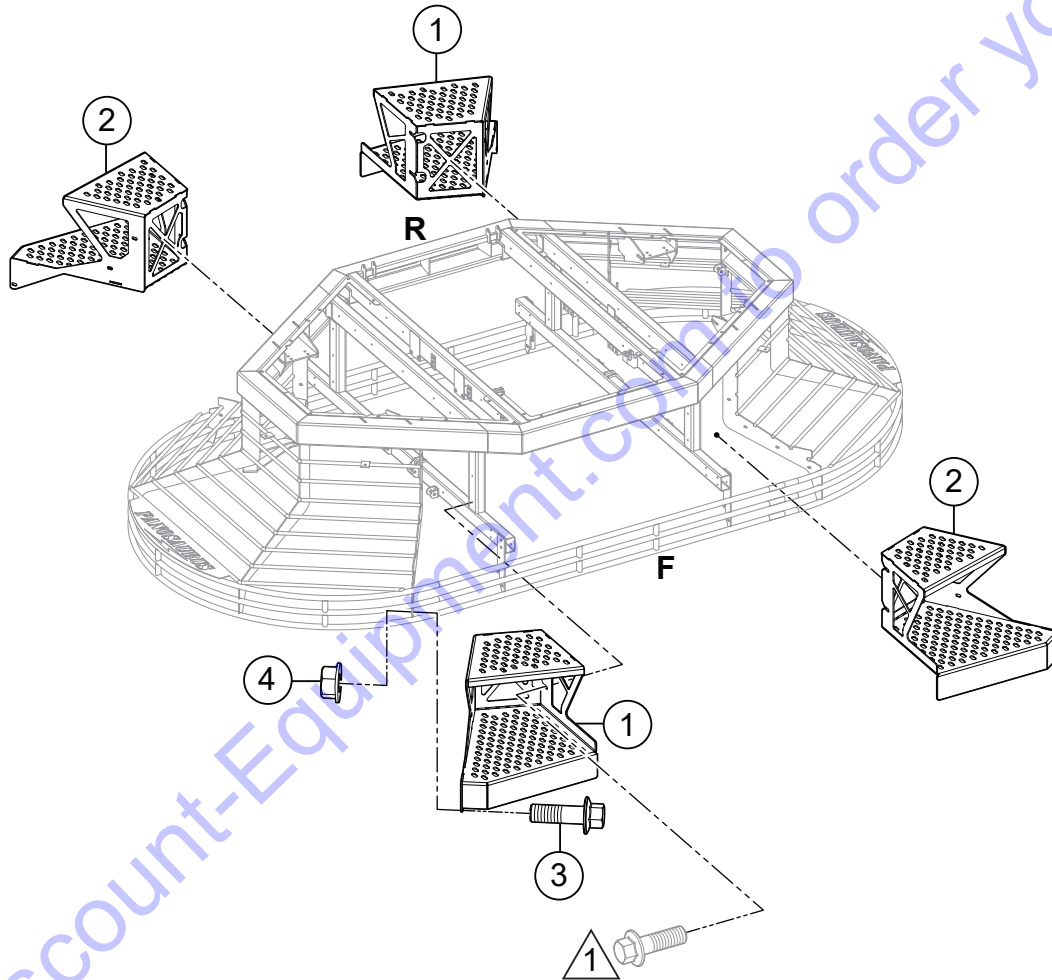


FRAME AND PLATFORM ASSY.

<u>NO.</u>	<u>PART NO.</u>	<u>PART NAME</u>	<u>QTY.</u>	<u>REMARKS</u>
1	45198	DECK WELDMENT, RIGHT	1	
2	42325	SCREW, HHC, M6-1.0 X 20, CAPTIVE WASHER	36	
3	30427	BRACKET, PROPANE, LOW PROFILE	1	
4	43900	DECK ACCESS PANEL	2	
5	42496	NUT, BLIND, HEX, M6-1.0 X 0.7 - 4.2 GRIP	8	
6	38191	GROMMET, RUBBER, .375 ID X .875 OD	14	
7	45199	DECK WELDMENT, LEFT	1	
8	42344	NUT, NYLOC, M8-1.25, CLASS 8.8	3	
9	45001	FRAME, MAIN	1	
10	43769	PANEL, CENTER DECK	1	
11	43144	PEDAL, FOOT	1	
12	15226	SCREW, HFS, M8-1.25 X 25	3	
13	21597	BUMPER, STEM 1.0"D X 0.5S X 0.31	4	

Go to Discount-Equipment.com to order your parts

STEPS ASSY.



NOTES:

1 SEE HOOD AND COWLINGS ASSY.

STEPS ASSY.

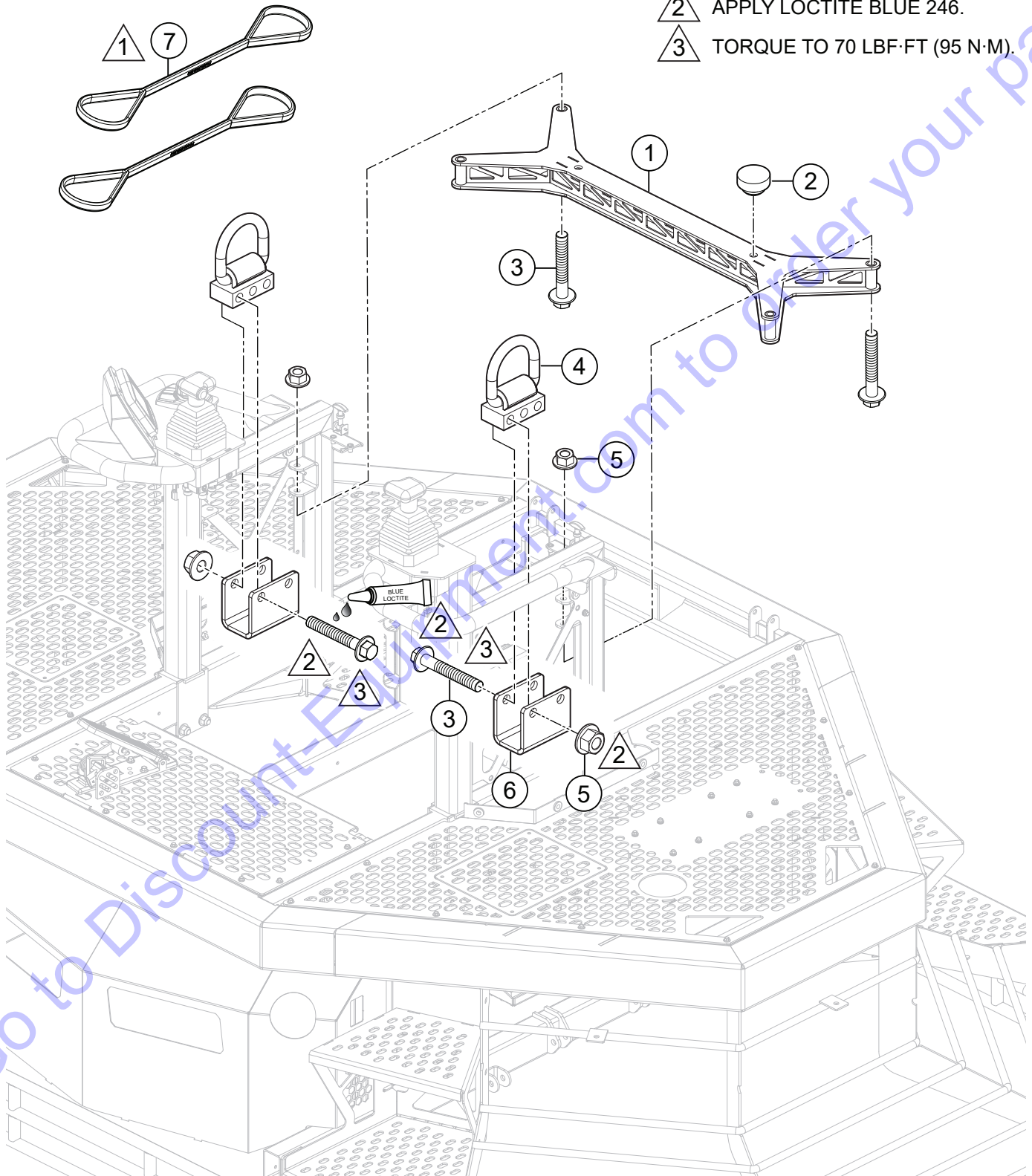
<u>NO.</u>	<u>PART NO.</u>	<u>PART NAME</u>	<u>QTY.</u>	<u>REMARKS</u>
1	45111	STEP, RIGHT FRONT/LEFT REAR	2	
2	45360	STEP, LEFT FRONT/RIGHT REAR	2	
3	15226	SCREW, HFS, M8 - 1.25 X 25	12	
4	15227	NUT, HEX FLANGED M8-1.25 GR 10	12	

Go to Discount-Equipment.com to order your parts

CROSSMEMBER AND LIFT RINGS ASSY.

NOTES:

- 1 ATTACH LIFTING SLING.
- 2 APPLY LOCTITE BLUE 246.
- 3 TORQUE TO 70 LBF-FT (95 N·M).

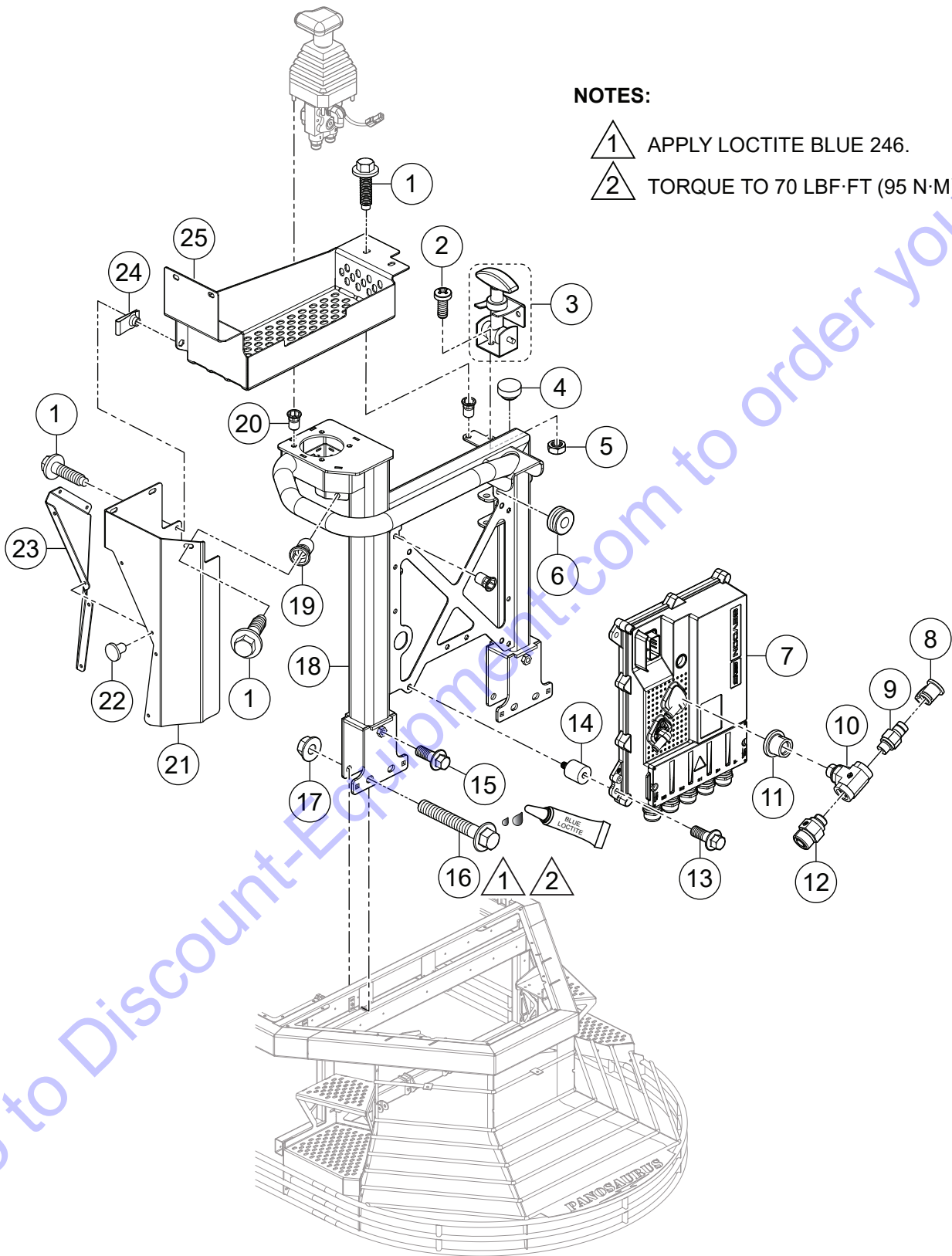


CROSSMEMBER AND LIFT RINGS ASSY.

<u>NO.</u>	<u>PART NO.</u>	<u>PART NAME</u>	<u>QTY.</u>	<u>REMARKS</u>
1	43855	CROSSMEMBER, LIFT FRAME	1	
2	21597	BUMPER, STEM 1.0" D X 0.5S X 0.31	2	
3	9176	SCREW, HHF M12-1.75 X 80MM GR10.9 PATCH	8	
4	45169	LIFTING D-RING	2	
5	42451	NUT, HEX, SERRATED-FLANGE, M12 -1.75	8	
6	45168	CHANNEL, LIFTING	2	
7	43916	STRAP, LIFTING 5300 LB. CAP	2	

Go to Discount-Equipment.com to order your parts

LEFT FRAME CONSOLE ASSY.



NOTES:

- 1 APPLY LOCTITE BLUE 246.
- 2 TORQUE TO 70 LBF-FT (95 N·M).

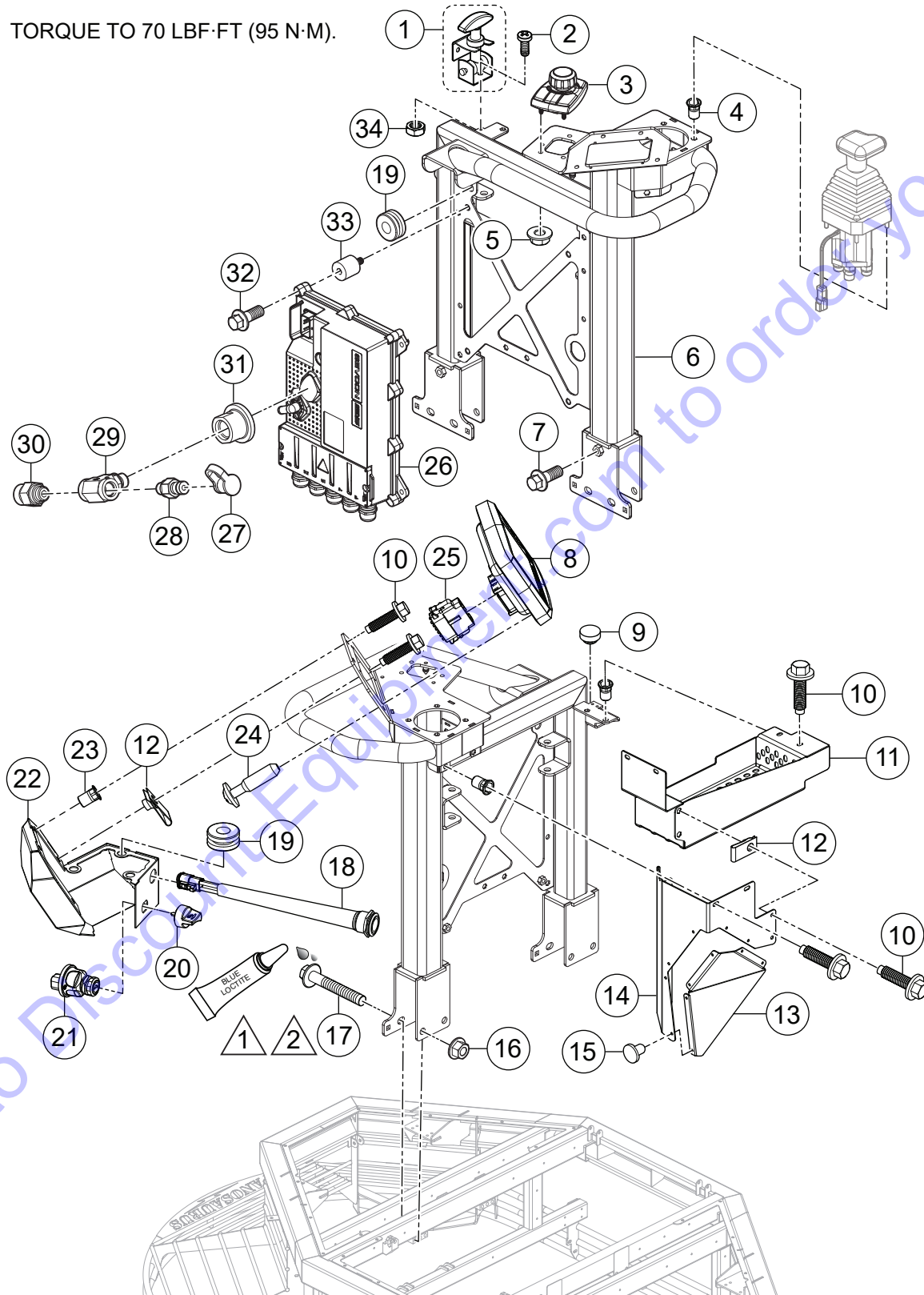
LEFT FRAME CONSOLE ASSY.

<u>NO.</u>	<u>PART NO.</u>	<u>PART NAME</u>	<u>QTY.</u>	<u>REMARKS</u>
1	42325	SCREW, HHC, M6-1.0 X 20, CAPTIVE WASHER	5	
2	1307	SCREW, PHP 8-32 X 1/2"	2	
3	20673	LATCH, RUBBER HOOD	1	
4	21597	BUMPER, STEM 1.0"D X 0.5S X 0.31	1	
5	13287	NUT, NYLOC 8-32	2	
6	38191	GROMMET, RUBBER, .375 ID X .875 OD	1	
7	45367	INVERTER, NODE 3 LEFT SIZE 9	1	
8	12148	CAP, DUST DIAG. PD6-285	1	
9	12147	FITTING, QD 6MO DIAGN PD361	1	
10	45639	FITTING, TEE 6FORB-6FORB-6MORB	1	
11	43971	ADAPTER, SIZE 9 COOLANT FILL	1	
12	43978	FITTING, STR -8 MORFS X - 6 MORB	1	
13	42342	SCREW, HHFS, M8-1.25 XX 16 GR 8.8	4	
14	43928	ISOLATOR, 1" DIAM. X 1" M8 STUD AND INSE	4	
15	32976	SCREW, HFS M10-1.5 X 25 CLASS 10.9	2	
16	9176	SCREW, HHF M12-1.75 X 80MM GR10.9 PATCH	4	
17	42451	NUT, HEX, SERRATED-FLANGE, M12-1.75	4	
18	45321	FRAME, LIFT -L	1	
19	42496	NUT, BLIND, HEX, M6-1.0 X 0.7 - 4.2 GRIP	10	
20	43655	NUT, BLIND, HEX, M6-1.0 X 4.2 - 6.6 GRIP	4	
21	43635	COVER, LEFT JOYSTICK HOSE	1	
22	19847	RIVET, POP, ALUM., 3/16" X 1/8-1/4 GRIP	6	
23	43637	PANEL, LEFT JOYSTICK FILL	1	
24	32916	NUT, U-STYLE, M6-1 X 0.8 - 4MM, BK	4	
25	43925	TOOL HOLDER, LEFT	1	

RIGHT FRAME CONSOLE ASSY.

NOTES:

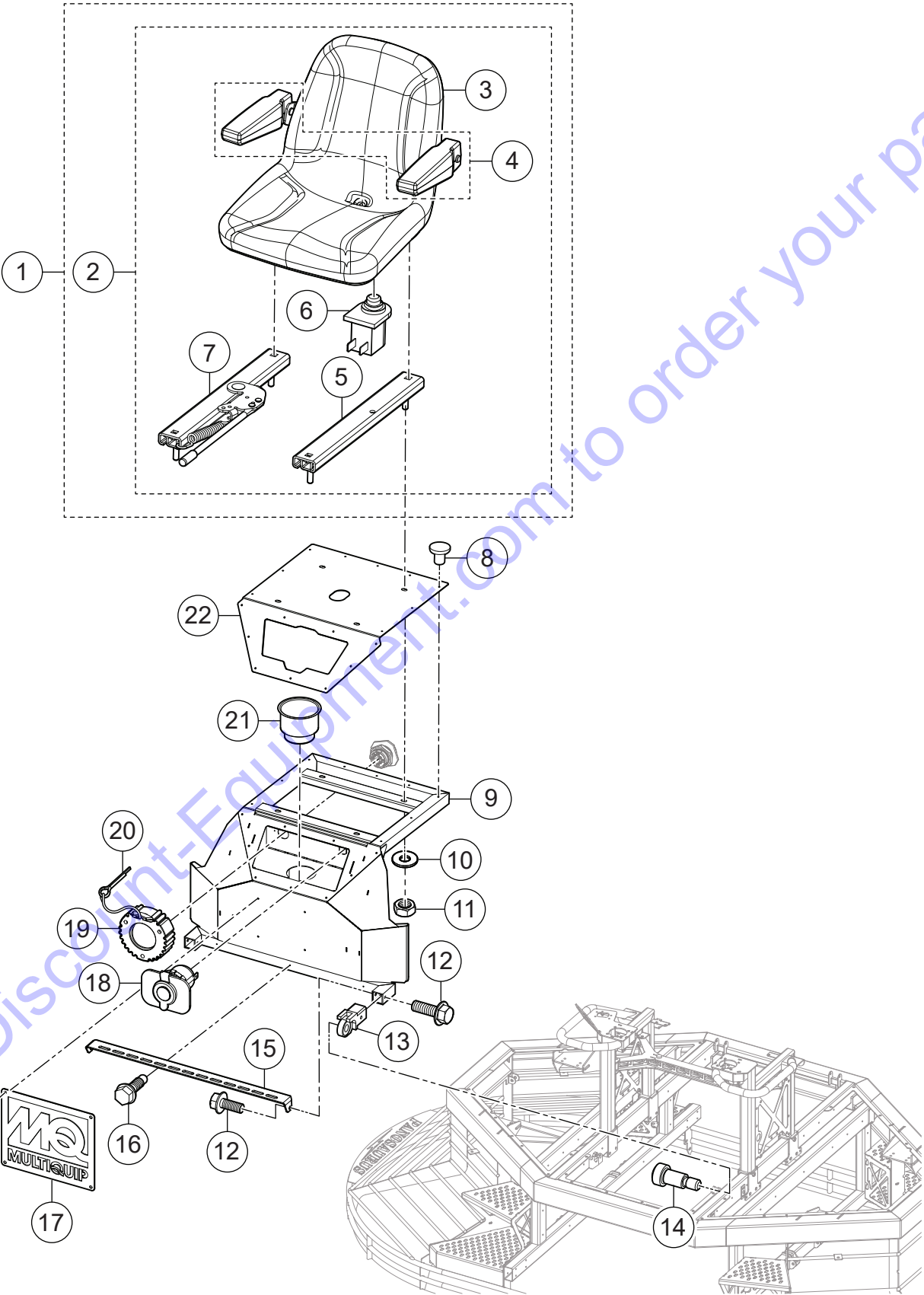
- 1 APPLY LOCTITE BLUE 246.
- 2 TORQUE TO 70 LBF·FT (95 N·M).



RIGHT FRAME CONSOLE ASSY.

<u>NO.</u>	<u>PART NO.</u>	<u>PART NAME</u>	<u>QTY.</u>	<u>REMARKS</u>
1	20673	LATCH, RUBBER HOOD	1	
2	1307	SCREW, PHP 8-32 X 1/2"	2	
3	45275	SWITCH, MULTIFUNCTION	1	
4	43655	NUT, BLIND, HEX, M6-1.0 X 4.2 - 6.6 GRIP	4	
5	42352	NUT, HEX, SERRATED-FLANGE, M6-1.0	3	
6	45320	FRAME, LIFT -R	1	
7	32976	SCREW, HFS M10-1.5 X 25 CLASS 10.9	2	
8	43327	DISPLAY, IQAN MD3	1	
9	21597	BUMPER, STEM 1.0"D X 0.5S X 0.31	1	
10	42325	SCREW, HHC, M6-1.0 X 20, CAPTIVE WASHER	9	
11	43926	TOOL HOLDER, RIGHT	1	
12	32916	NUT, U-STYLE, M6-1 X 0.8 - 4MM, BK	1	
13	43638	PANEL, RIGHT JOYSTICK FILL	1	
14	43636	COVER, RIGHT JOYSTICK HOSE	1	
15	19847	RIVET, POP, ALUM., 3/16" X 1/8-1/4 GRIP	6	
16	42451	NUT, HEX, SERRATED-FLANGE, M12-1.75	4	
17	9176	SCREW, HHF M12-1.75 X 80MM GR10.9 PATCH	4	
18	43756	SWITCH ASSY., PUSHBUTTON	1	
19	38191	GROMMET, RUBBER, .375 ID X .875 OD	3	
20	23959-01	KEY, IGNITION	1	
21	23959	SWITCH, IGN, IP67	1	
22	43608	COVER, OPERATOR CONTROLS	1	
23	42496	NUT, BLIND, HEX, M6-1.0 X 0.7 - 4.2 GRIP	2	
24	43743	SCREW, PT-WN1411 K40 X 16MM	4	
25	43744	CONNECTOR CAP KIT, DTM06-12S	1	
26	43542	CONTROLLER, SEVCON SIZE9	1	
27	12148	CAP, DUST DIAG. PD6-285	1	
28	12147	FITTING, QD 6MO DIAGN. PD361	1	
29	45639	FITTING, TEE 6FORB-6FORB-6MORB	1	
30	43978	FITTING, STR -8 MORFS X - 6 MORB	1	
31	43971	ADAPTER, SIZE 9 COOLANT FILL	1	
32	42342	SCREW, HHFS, M8-1.25 X 16 GR 8.8	4	
33	43928	ISOLATOR, 1" DIAM. X 1" M8 STUD AND INSE	4	
34	13287	NUT, NYLOC 8-32	2	

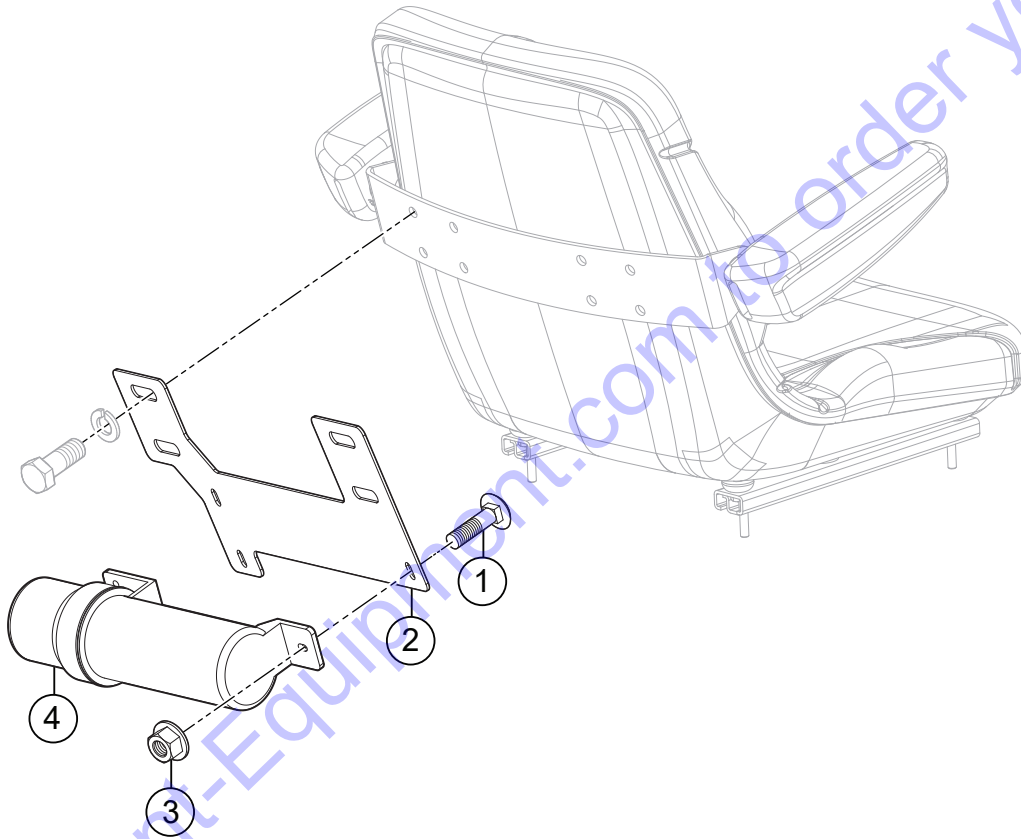
SEAT FRAME ASSY.



SEAT FRAME ASSY.

<u>NO.</u>	<u>PART NO.</u>	<u>PART NAME</u>	<u>QTY.</u>	<u>REMARKS</u>
1	32960-SK	KIT, ADJUSTABLE SEAT, SEARS W/ARMS	1.....	INCLUDES ITEMS W/#
2#	32960	SEAT, BASIC W/ RAILS AND KILL SWITCH.....	1.....	INCLUDES ITEMS W/@
3@#	32963	SEAT, BASIC	1	
4#	34792	ARMREST, SEAT	1	
5@#	32964	SEAT ADJUSTER, LH	1	
6@#	32962	KILL SWITCH, DELTA	1	
7@#	32965	SEAT ADJUSTER, RH	1	
8	19847	RIVET, POP, ALUM., 3/16" X 1/8-1/4" GRIP	22	
9	43474	FRAME, TILT CAB	1	
10	933241	WASHER, FLAT SAE 5/16" GRD 9 YZ	4	
11	5283	NUT, NYLOC 5/16-18	4	
12	42342	SCREW, HFS, M8-1.25 X 16 GR 8.8	4	
13	43484	PIVOT, SEAT FRAME	2	
14	9162	SCREW, SHSLDR M16 X M25 M12-1.75 PATCH	2	
15	43686	HEAL REST, FOOT PLATFORM	1	
16	9509	SCREW, TEK 12 X 3/4" SELF TAP	3	
17	43758	BADGE, MQ RIVET	1	
18	42780	ACCESSORY PORT, USB POWER	1	
19	42442	CON. CAP, DEUTSCH, HD10, 9 PIN W/ LANYARD	1	
20	5117	PIN, COTTER 1/16" X 1/2"	1	
21	43643	CUP HOLDER, STAINLESS STEEL	1	
22	43486	PANEL, OPERATOR CAB TOP	1	

DOCUMENT HOLDER ASSY.

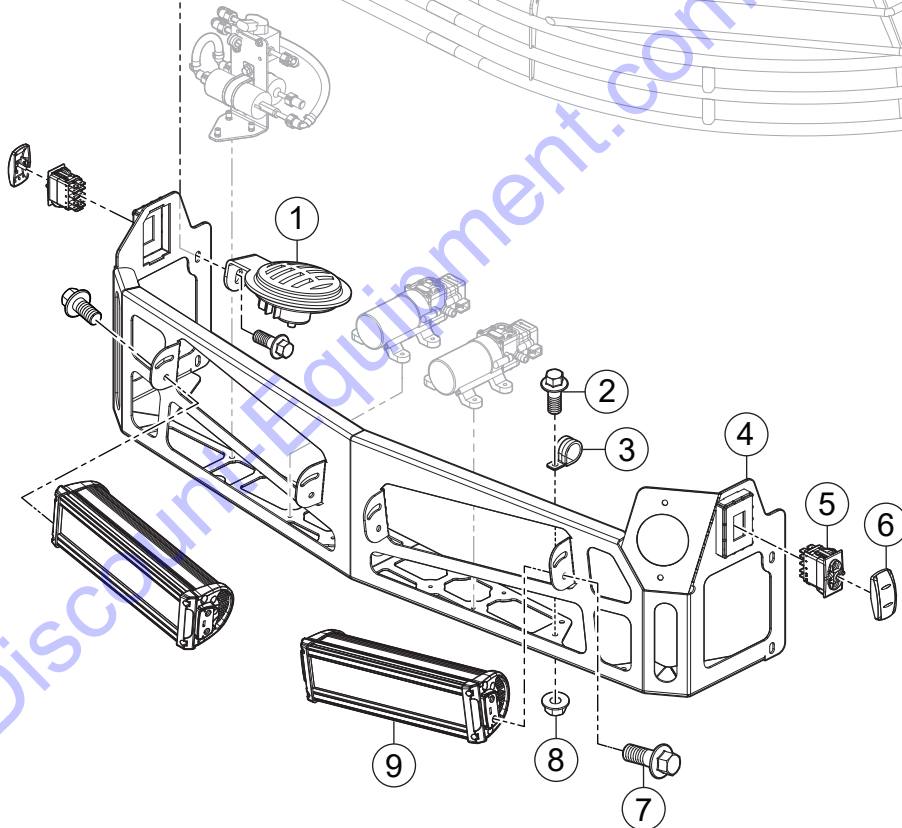
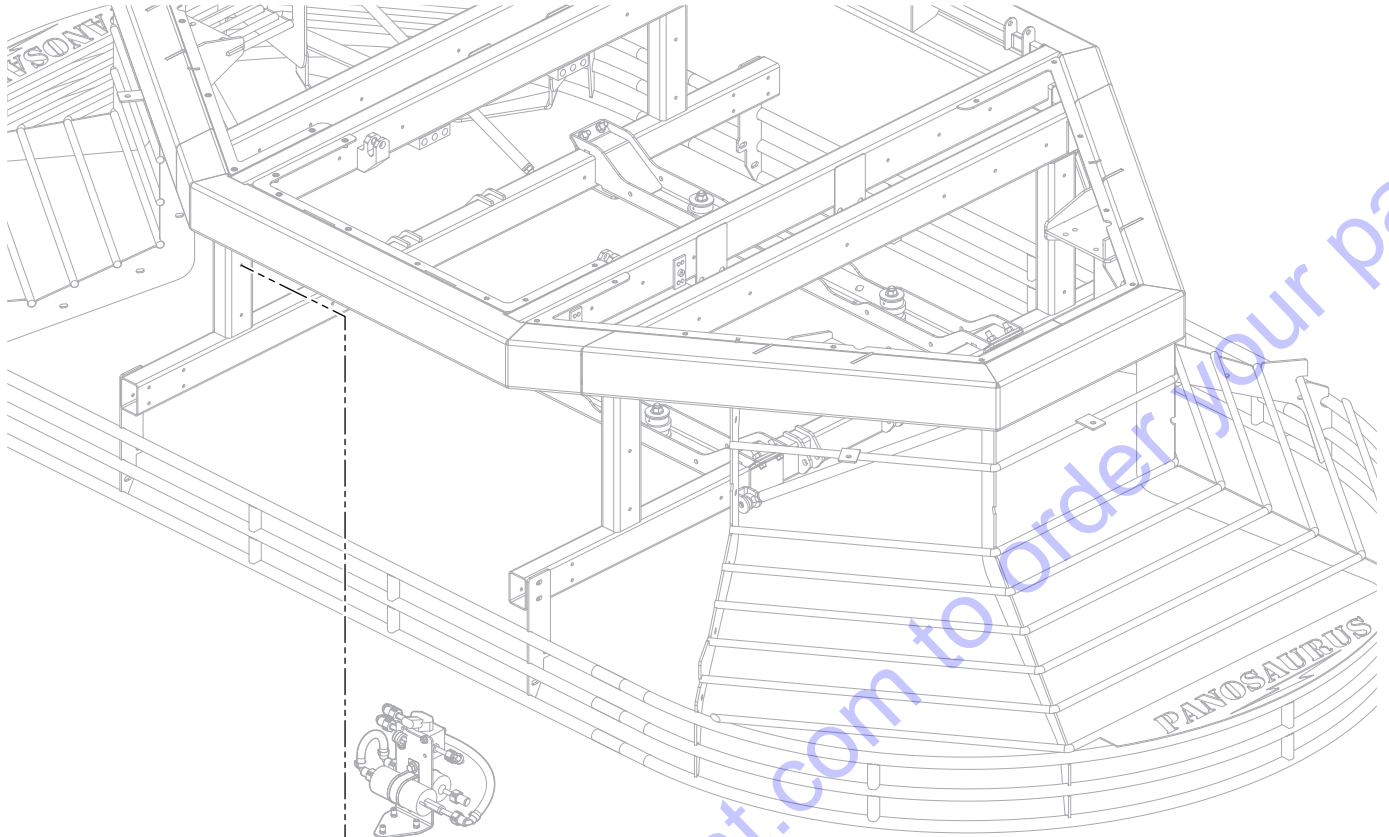


DOCUMENT HOLDER ASSY.

<u>NO.</u>	<u>PART NO.</u>	<u>PART NAME</u>	<u>QTY.</u>	<u>REMARKS</u>
1	29712	BOLT, CARRIAGE 1/4-20 X 3/4"	3	
2	43979	BRACKET, MOUNTING, MANUAL HOLDER	1	
3	49070	NUT, HFS, 1/4-20	3	
4	23297	MANUAL HOLDER, PICTOGRAPH SAE J232	1	

Go to Discount-Equipment.com to order your parts

FRAME ACCESSORIES ASSY.

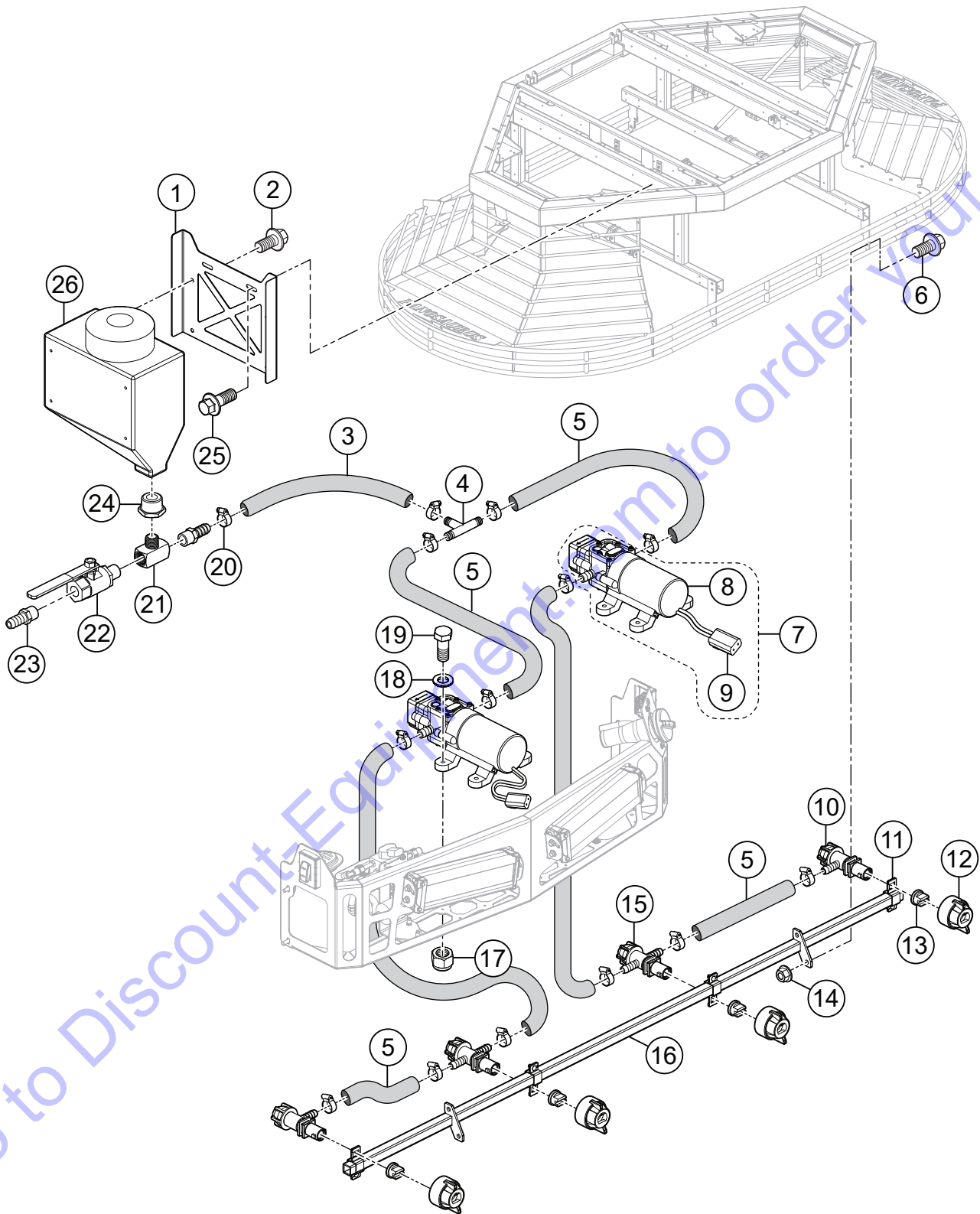


FRAME ACCESSORIES ASSY.

<u>NO.</u>	<u>PART NO.</u>	<u>PART NAME</u>	<u>QTY.</u>	<u>REMARKS</u>
1	45271	HORN, PRX	1	
2	42542	SCREW, HFS M6-1.0 X 16	1	
3	21574	CLAMP, LOOP CUSHIONED #16 0.25 HOLE	1	
4	45304	FRAME, FRONT ACCESSORY	1	
5	42178-004	SWITCH BASE, CARLING CONTURA SERIES	2	
6	42179-002	ACTUATOR, CARLING CONTURA V-SERIES	2	
7	42343	SCREW, HFS, ZP, M8-1.25 X 20, CLASS 8.8	12	
8	42352	NUT, HEX, SERRATED-FLANGE, M6-1.0	1	
9	43840	LIGHT, 12" 30W LED BAR	2	

Go to Discount-Equipment.com to order your parts

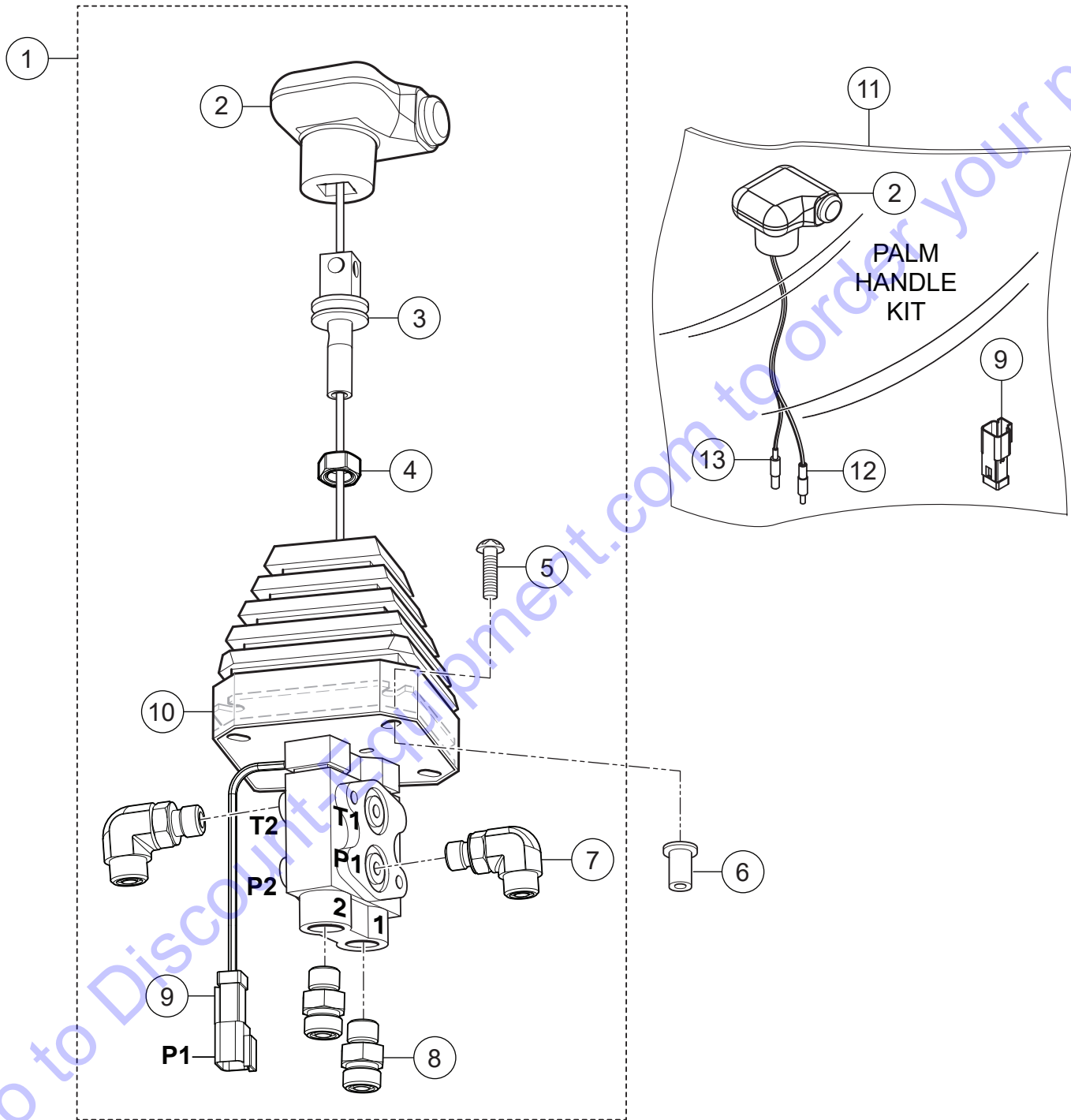
SPRAY ASSY.



SPRAY ASSY.

<u>NO.</u>	<u>PART NO.</u>	<u>PART NAME</u>	<u>QTY.</u>	<u>REMARKS</u>
1	45175	MOUNT, RETARDANT TANK	1	
2	36720	SCREW, HHFS 5/16-18 X 3/4" GR5	4	
3	60067	HOSE, 0.25" ID X 0.375" OD, BRAIDED PVC (0.75 FT).....	1	1 PC = 1 FT
4	23307	TEE, .375 PLASTIC BARB	1	
5	60021	HOSE, 3/8" ID X 5/8" OD BRAIDED PVC (10.3 FT)	11	1 PC = 1 FT
6	32976	SCREW, HFS M10-1.5 X 25 CLASS 10.9	4	
7	30547	PUMP ASSY.....	2	INCLUDES ITEMS W/@
8@	30540	PUMP, RETARDANT SPRAY	2	
9@	37403	CONNECTOR KIT, FEM. DEUTSCH DT06-2S	2	
10	45472	NOZZLE, TEEJET BODY, SINGLE	2	
11	45646	CLAMP, TEEJET 1" SQUARE QUICK	4	
12	45474	SPRAY TIP, CAP W/ GASKET	4	
13	49247	SPRAY, FLAT TIP BROWN	4	
14	42353	NUT, HEX, SERRATED-FLANGE, M10-1.5	4	
15	45473	NOZZLE, TEEJET BODY, DOUBLE	2	
16	45104	BAR, SPRAY	1	
17	15518-004	NUT, NYLOC, M4-0.7	8	
18	28922-058	WASHER, M5	8	
19	42894	SCREW, HHC M4-0.7 X 20MM	8	
20	15538	CLAMP, HOSE WORM #6	14	
21	367727	FITTING, TEE 3/8FP - 3/8MP - 3/8FP	1	
22	37311	BALL VALVE, BRASS 3/8 MNPT X FNPT	1	
23	370457	FITTING, STR 6BARB - 3/8MP	2	
24	49333	FITTING, BRASS 3/4 MNPT - 3/8 FNPT	1	
25	42343	SCREW, HFS, ZP, M8-1.25 X 20, CLASS 8.8	2	
26	45200	TANK, 3 GAL. LARGE MOUTH RETARDANT	1	

LEFT-HAND STEERING VALVE ASSY.

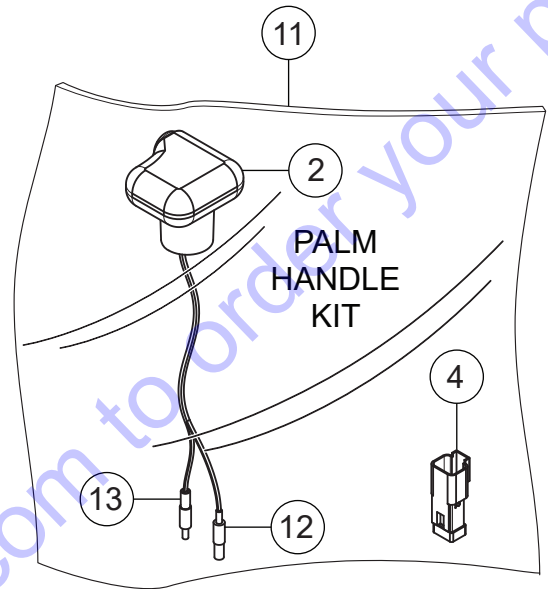
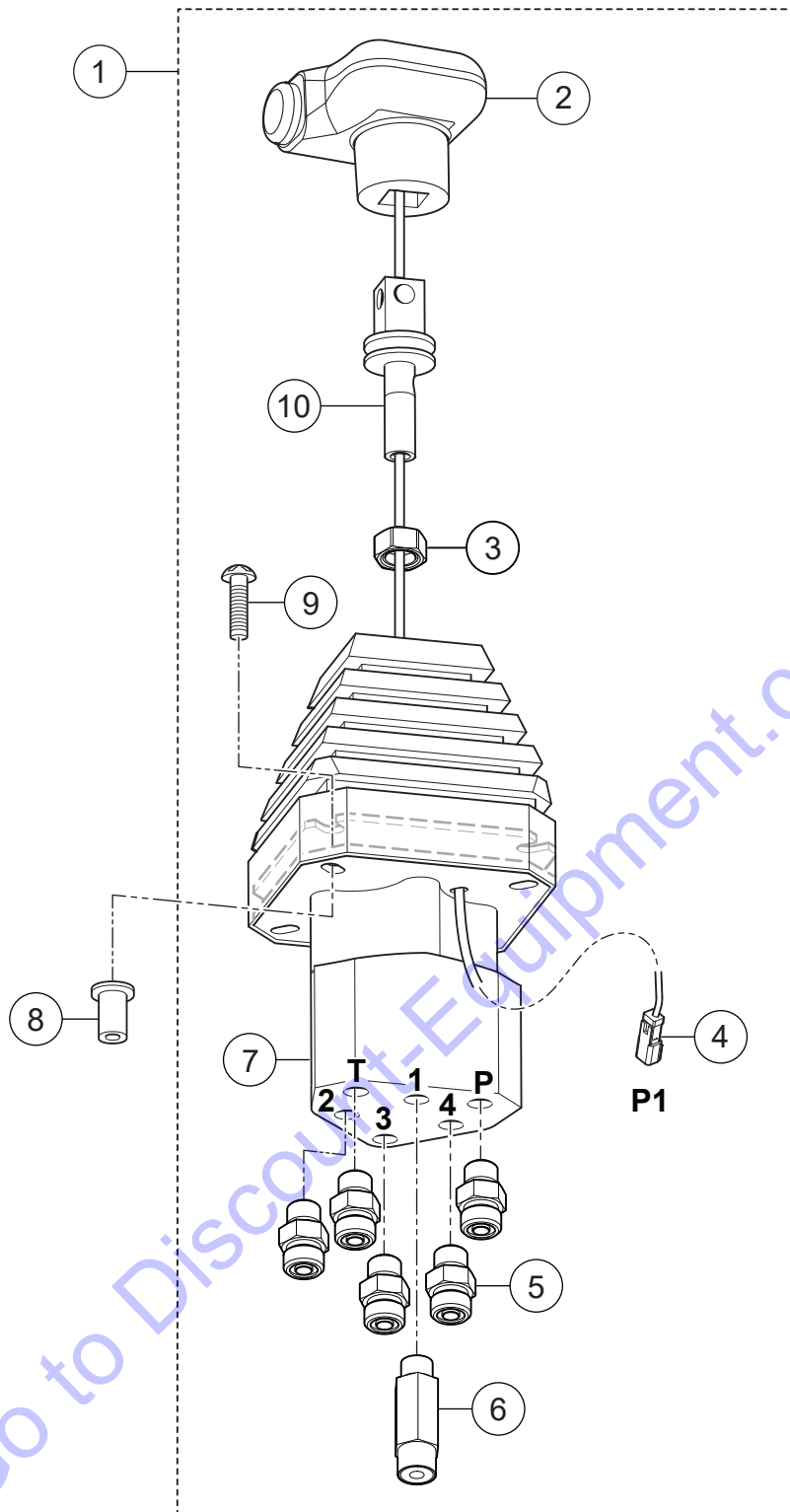


LEFT-HAND STEERING VALVE ASSY.

<u>NO.</u>	<u>PART NO.</u>	<u>PART NAME</u>	<u>QTY.</u>	<u>REMARKS</u>
1	43740	VALVE ASSY., LH STEERING W/SWITCH	1.....	INCLUDES ITEMS W/#
2#%	22001	HANDLE, PALM W/SWITCH, LEFT	2	
3#	21053	ADAPTOR, LH PALM HANDLE	1	
4#	16083	NUT, HEX M12-1.75 NO PLATE	1	
5#	42325	SCREW, BHSC, M6-1.0 X 20, FLANGED	4	
6	42496	NUT, BLIND HEX M6-1.0	4	
7#	32354	FITTING, 90° -6MORFS X -6MOR	2	
8#	32341	FITTING, STR -6MORFS X -6MOR	2	
9#%	37402	CONNECTOR KIT, MALE 2 POSITION	2	
10#	20833	VALVE, LH STEERING	1	
11	20150	KIT, PALM HANDLE LEFT, W/SWITCH.....	1.....	INCLUDES ITEMS W/%
12%	1318	TERMINAL, BULLET, FEM, 18-22	2	
13%	4692	TERMINAL, BULLET, .156 MALE, 14-16 GA	2	

Go to Discount-Equipment.com to order your parts

RIGHT-HAND STEERING VALVE ASSY.

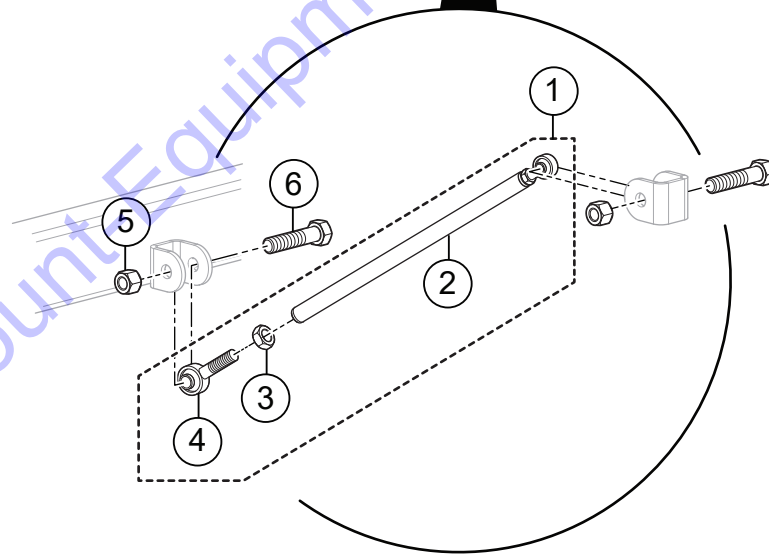
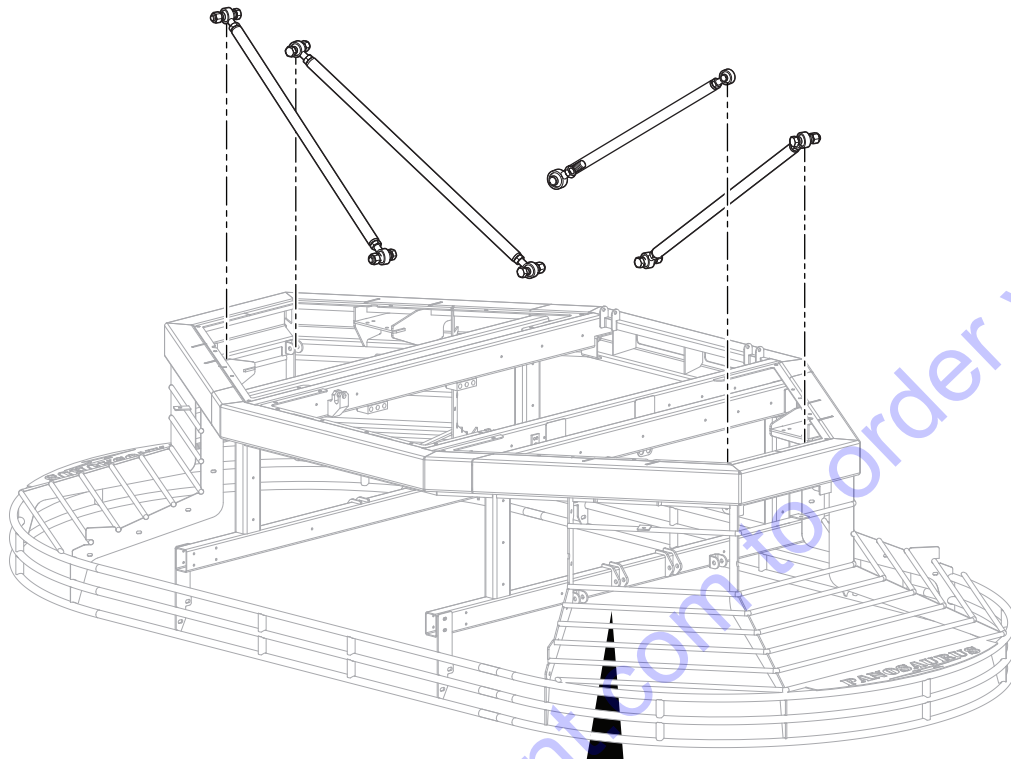


RIGHT-HAND STEERING VALVE ASSY.

<u>NO.</u>	<u>PART NO.</u>	<u>PART NAME</u>	<u>QTY.</u>	<u>REMARKS</u>
1	43741	VALVE ASSY., RH STEERING W/SWITCH.....	1.....	INCLUDESITEMSW/#
2#%	12999	HANDLE, PALM W/SWITCH, RIGHT	2	
3#	16083	NUT, HEX M12-1.75 NO PLATE	1	
4#%	37402	CONNECTOR KIT, MALE 2 POSITION	2	
5#	32341	FITTING, STR -6MORFS X -6MOR	5	
6#	32454	FITTING, STR 6MOR X 6MORFS LONG	1	
7#	20832	VALVE, RH STEERING	1	
8	43655	NUT, BLIND HEX M6-1.0 4.2MM-6.6MM	4	
9#	42325	SCREW, HHC, M6-1.0 X 20, CAPTIVE WASHER	4	
10#	20834	ADAPTOR, RH PALM HANDLE	1	
11	20155	KIT, PALM HANDLE RIGHT, W/SWITCH	1.....	INCLUDESITEMSW/%
12%	1318	TERMINAL, BULLET, FEM, 18-22	2	
13%	4692	TERMINAL, BULLET, .156 MALE, 14-16 GA	2	

Go to Discount-Equipment.com to order your parts

STEERING STRUTS ASSY.



STEERING STRUTS ASSY.

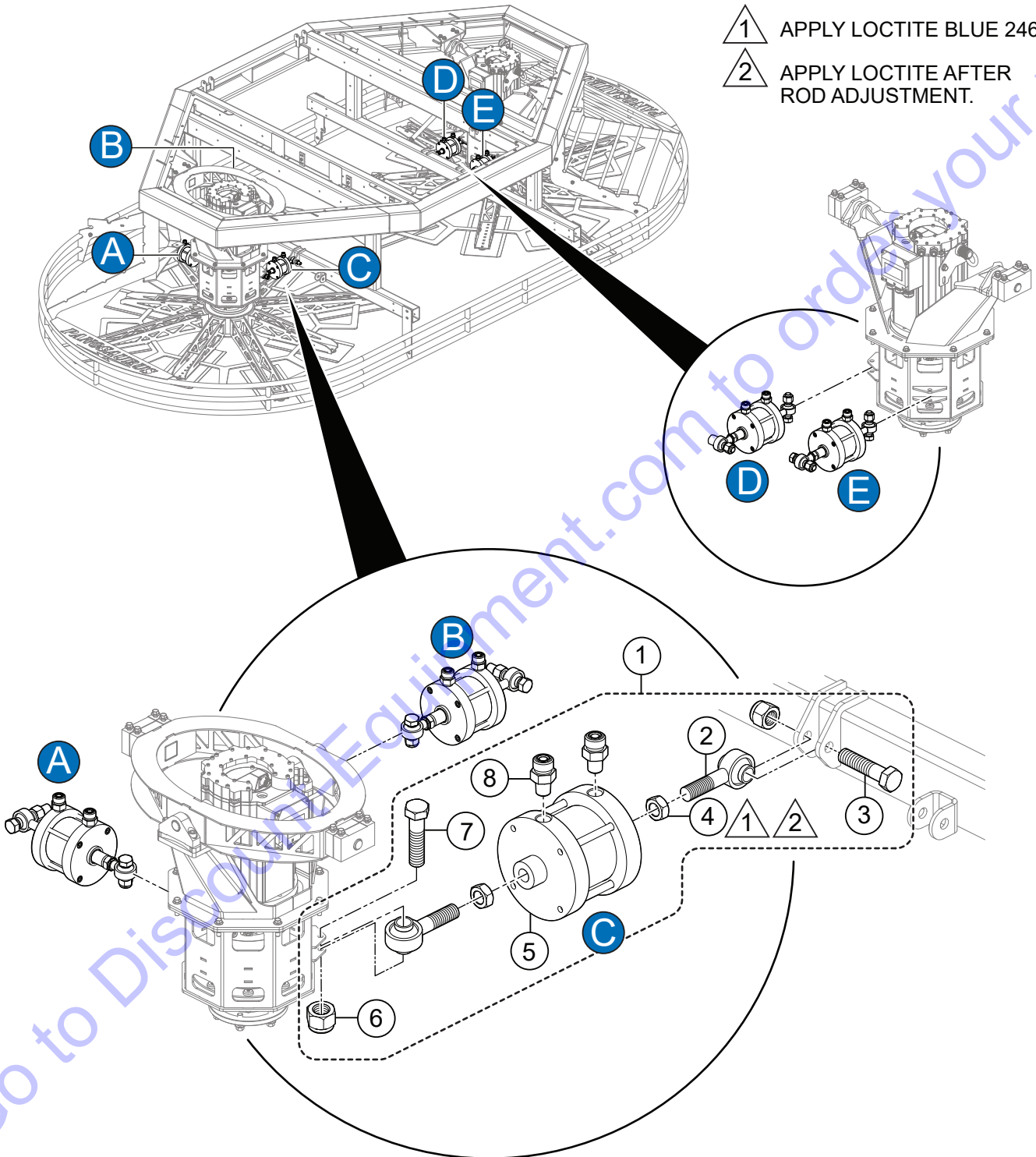
<u>NO.</u>	<u>PART NO.</u>	<u>PART NAME</u>	<u>QTY.</u>	<u>REMARKS</u>
1	43443	STRUT, STEERING ASSY.	4	INCLUDES ITEMS W/@
2@	43860	STRUT, STEERING W/A	4	
3@	11146	NUT, HEX JAM 1/2-20 PLATED	8	
4@	21944	ROD END, 1/2-20 M RH W/CUSTOM BALL	8	
5	10176	NUT, NYLOC 1/2-13	8	
6	13178	SCREW, HHC 1/2-13 X 2-1/4" GR5	8	

Go to Discount-Equipment.com to order your parts

HYDRAULIC STEERING CYLINDERS ASSY.

NOTES:

- 1 APPLY LOCTITE BLUE 246.
- 2 APPLY LOCTITE AFTER ROD ADJUSTMENT.

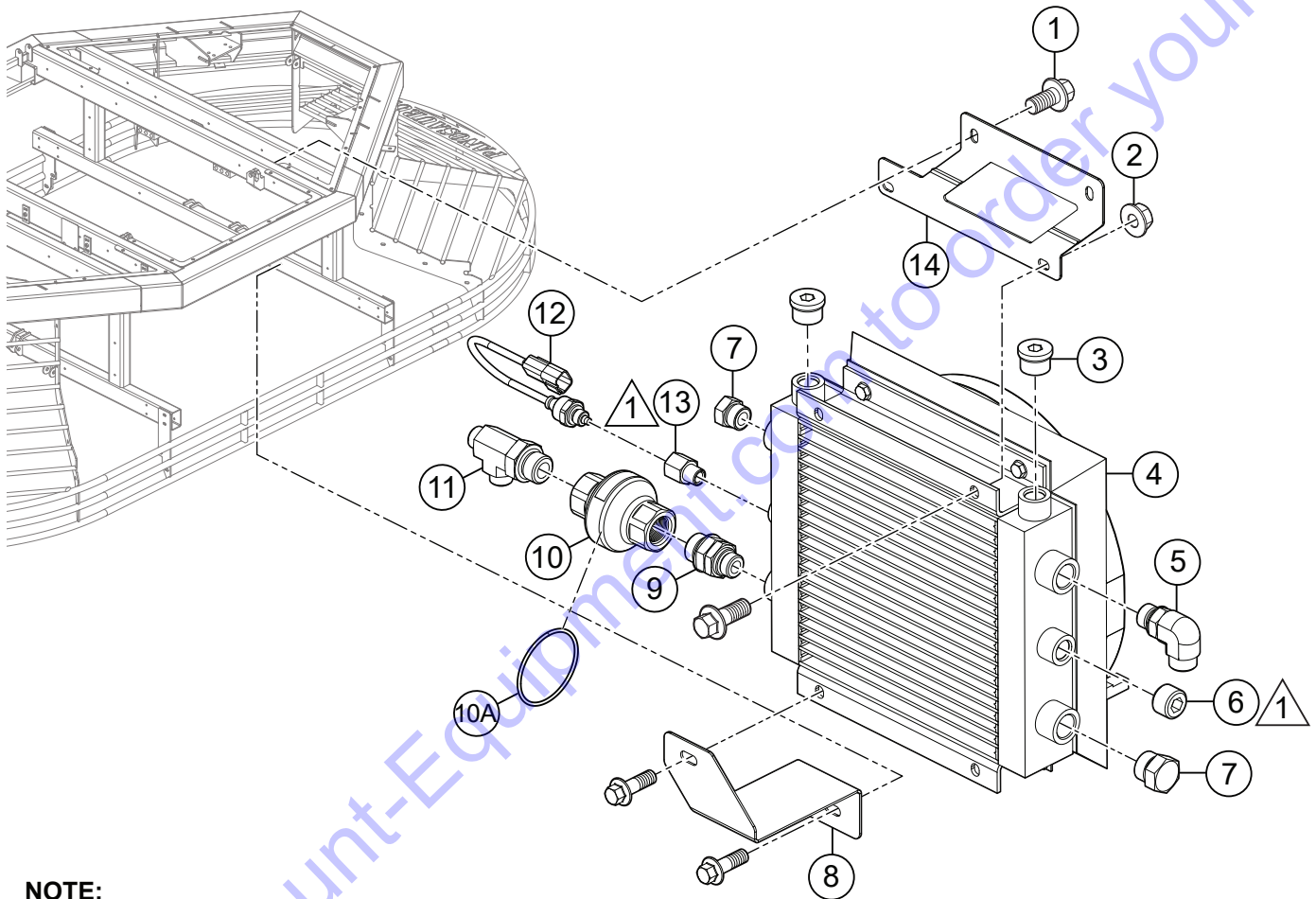


HYDRAULIC STEERING CYLINDERS ASSY.

<u>NO.</u>	<u>PART NO.</u>	<u>PART NAME</u>	<u>QTY.</u>	<u>REMARKS</u>
1	42226	CYLINDER ASSY., HYDRAULIC STEERING.....	5	INCLUDES ITEMS W/@
2@	21944	ROD END, 1/2-20 M RH W/CUSTOM BALL	10	
3@	13178	SCREW, HHC 1/2-13 X 2 1/4 GR5	5	
4@	11146	NUT, HEX JAM 1/2-20 PLATED	10	
5@	12056	CYLINDER, 2.5" BORE X 1.5" STR X 0.75" ROD	5	
6@	10176	NUT, NYLOC 1/2-13	10	
7@	12318	SCREW, HHC 1/2-13 X 2-3/4"	5	
8@	32350	FITTING, 6MORFS X 04MP STR	10	

Go to Discount-Equipment.com to order your parts

HYDRAULIC COOLER ASSY.



NOTE:

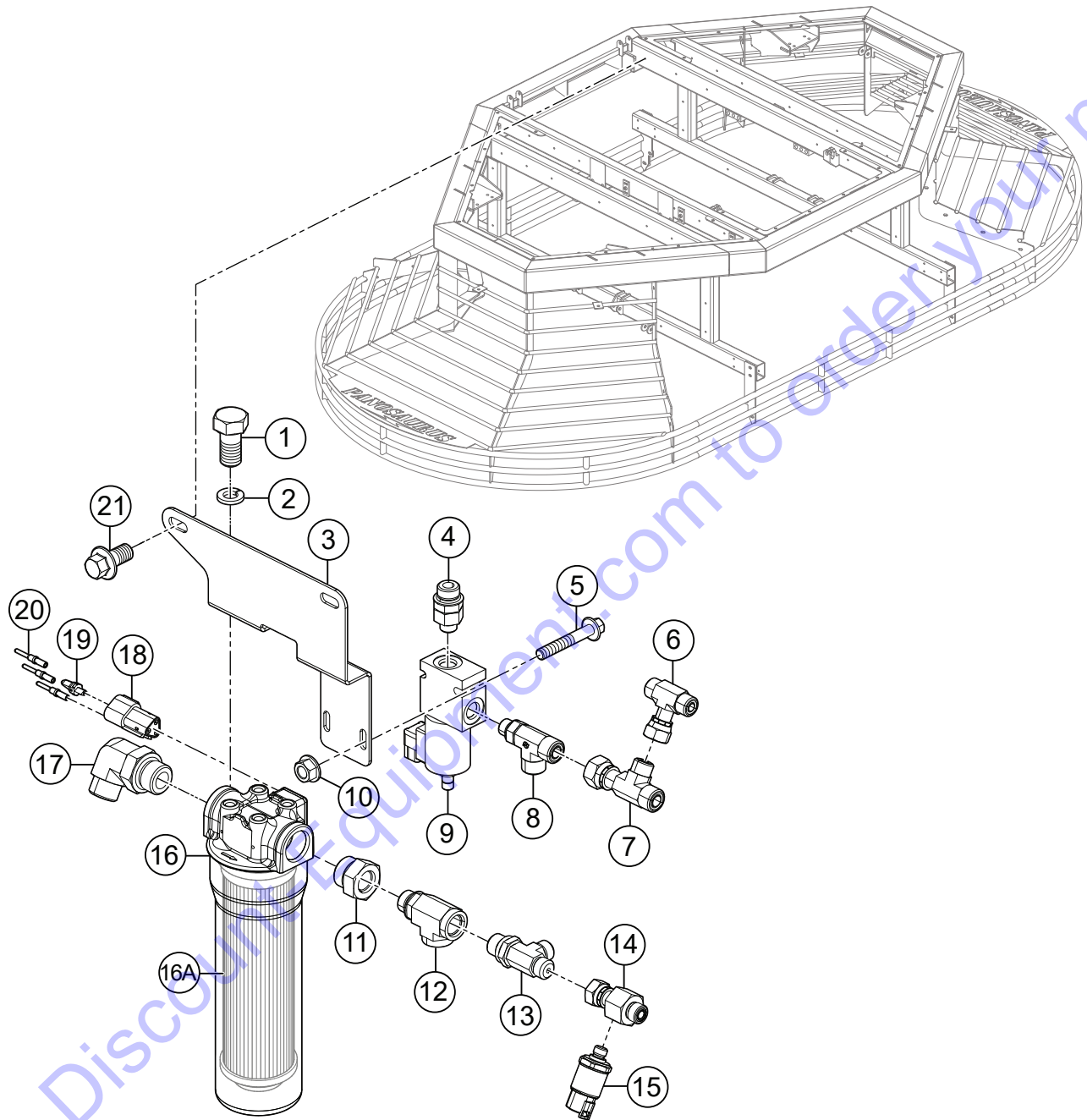
△ 1 USE HIGH PRESSURE SEALANT ON THREADS.

HYDRAULIC COOLER ASSY.

<u>NO.</u>	<u>PART NO.</u>	<u>PART NAME</u>	<u>QTY.</u>	<u>REMARKS</u>
1	22021	SCREW, HEX FLANGE M8-1.25 X 20MM GR10.9	6	
2	15227	NUT, HEX FLANGED M8-1.25 GR 10	3	
3	368700	FITTING, PLUG 8MO HEX SKT HD	2	
4	42648	HEAT EXCHANGER, HYDRAULIC, TIER 4	1	
5	32358	FITTING, 90 -10MORFS X -10MOR	1	
6	5016 B	FITTING, PLUG 3/8MP HEX SKT HD	1	
7	32468	FITTING, PLUG - ORING - 10	2	
8	45375	BRACKET, LOWER HYDRAULIC COOLER	1	
9	43962	FITTING, STR 12MORB X 10MORB	1	
10	43963	FILTER, MAGNETIC MIDI	1	INCLUDES ITEMS W/@
10A@	43963-01	O-RING, FILTER, MAGNETIC MIDI	1	
11	43501	FITTING, RUN TEE 08 MORFS 12 MORB 8 MORFS	1	
12	45272	SENSOR, TEMP, HYD.	1	
13	32438	FITTING, STR 3/8MP X 6FOR	1	
14	45376	BRACKET, UPPER HYDRAULIC COOLER	1	

Go to Discount-Equipment.com to order your parts

HYDRAULIC FILTER ASSY.



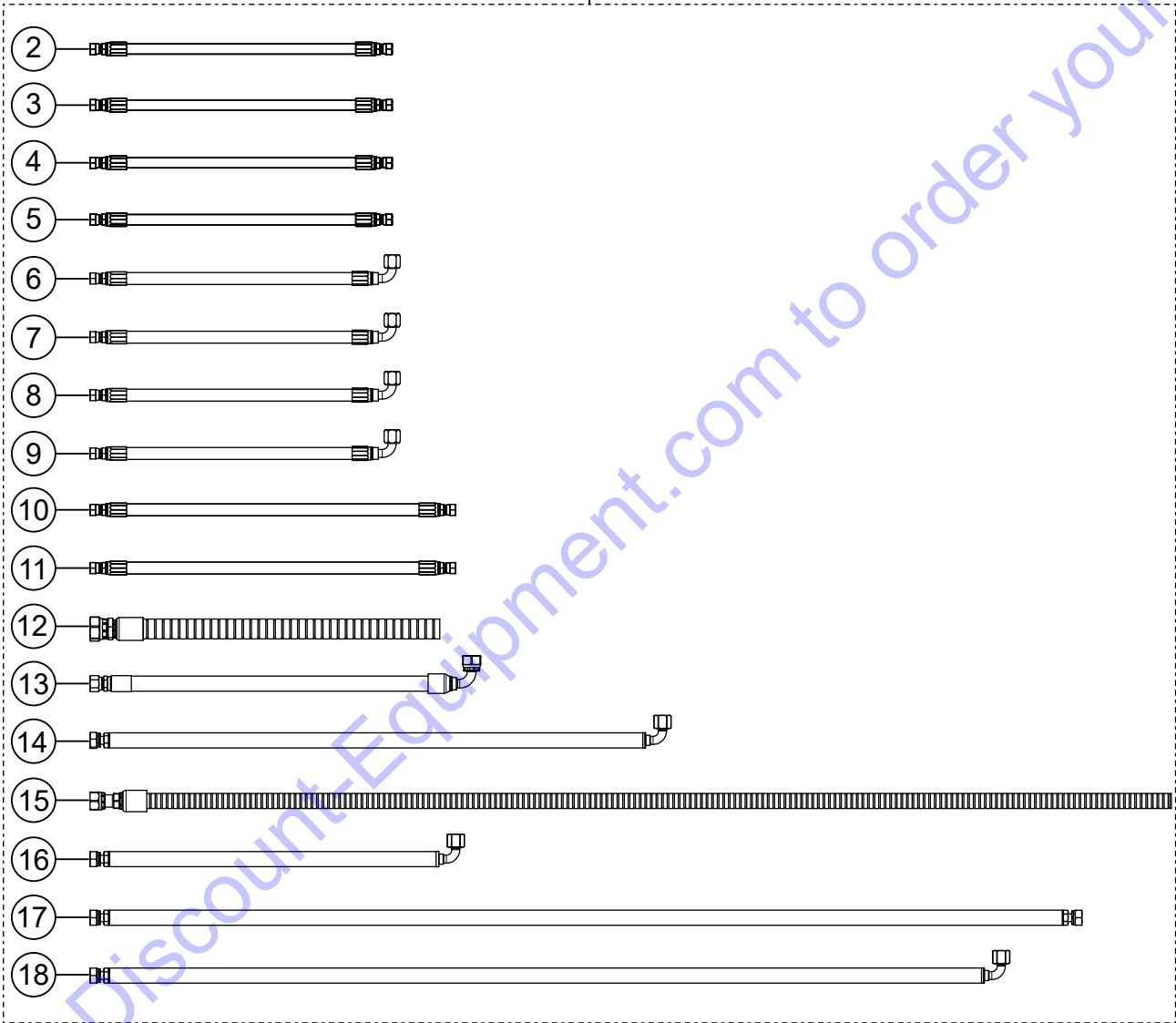
HYDRAULIC FILTER ASSY.

<u>NO.</u>	<u>PART NO.</u>	<u>PART NAME</u>	<u>QTY.</u>	<u>REMARKS</u>
1	4196	SCREW, HHC 3/8-16 X .75	4	
2	0166 A	WASHER, LOCK, 3/8" MED.	4	
3	45179	HYD. FILTER MOUNT	1	
4	43945	FITTING, STR 8MORB X -6MORB	1	
5	42349	SCREW, HFS, ZP, M6-1.0 X 40, CLASS 8.8	2	
6	43948	FITTING, TEE 6MORFS, 6MORFS, 6FORB BRANCH	1	
7	43947	FITTING, TEE 8MORFS, 8FORFS, 6MORFS	1	
8	43946	FITTING, TEE 6MORB X 8ORFS X 8ORFS	1	
9	43857	ASSY., PPR VALVE	1	
10	42352	NUT, HEX, SERRATED-FLANGE, M6-1.0	2	
11	43943	FITTING, STR 8FORB X -12MORB	1	
12	43944	FITTING, TEE, -8FORB X -8FORB X -8MORB	1	
13	32351	FITTING, TEE 6MORFS X 8MOR	1	
14	43507	FITTING, 6MFS X 6FFS X 4FOR	1	
15	43119	PRESSURE TRANSDUCER, 0-40 BAR	1	
16	42616	FILTER ASSY., MED., 10 MICRON, BYPASS IND.....	1	INCLUDES ITEMS W/@
16A@	42616-1	FILTER REPLACEMENT ELEMENT, MED.	1	
17	32363	FITTING, 90°, 12MOR X 10MFS	1	
18	EE50818	CONNECTOR, DEUTSCH 3 POSITION	1	
19	EE50819	WEDGE LOCK, DT SERIES, 3 POS., GREEN, W3P	1	
20	46192	PIN, DEUTSCH 16, 16-20 AWG	3	
21	42342	SCREW, HHFS, M8-1.25 X 16 GR 8.8	2	

Go to Discount-Equipment.com to order your parts

HYDRAULIC HOSE KIT ASSY. (COMPLETE)

1

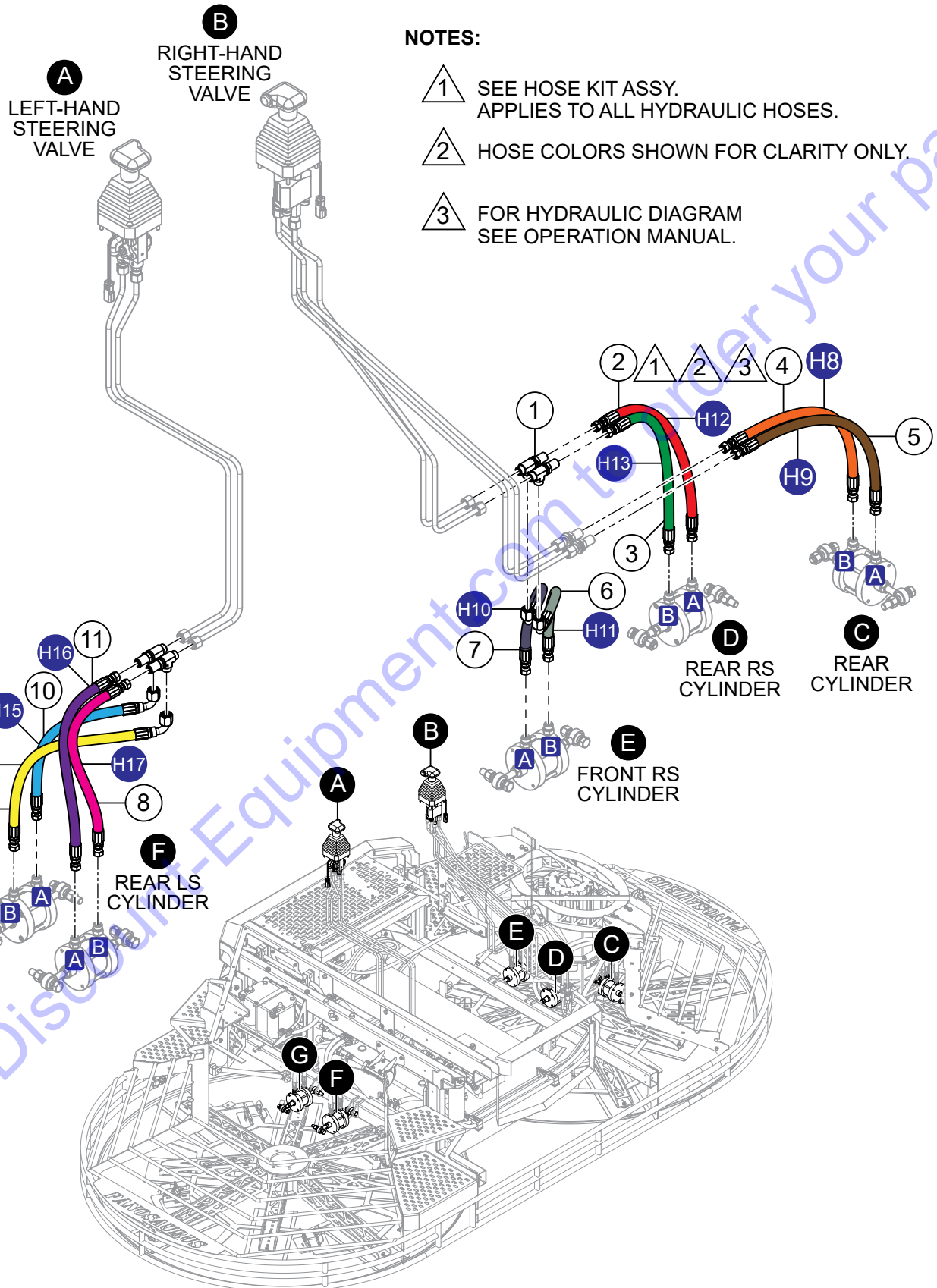


HYDRAULIC HOSE KIT ASSY. (COMPLETE)

<u>NO.</u>	<u>PART NO.</u>	<u>PART NAME</u>	<u>QTY.</u>	<u>REMARKS</u>
1	45383	HYDRAULIC HOSE KIT ASSEMBLY	1	INCLUDES ITEMS W/@
2@	43940	HOSE ASSY., 3/8" X 19", 6FORFS X 6FORFS	1	HOSE 12
3@	43940	HOSE ASSY., 3/8" X 19", 6FORFS X 6FORFS	1	HOSE 13
4@	43940	HOSE ASSY., 3/8" X 19", 6FORFS X 6FORFS	1	HOSE 16
5@	43940	HOSE ASSY., 3/8" X 19", 6FORFS X 6FORFS	1	HOSE 17
6@	43949	HOSE ASSY., 3/8" X 19", 6FORFS90 X 6FORFS	1	HOSE 10
7@	43949	HOSE ASSY., 3/8" X 19", 6FORFS90 X 6FORFS	1	HOSE 11
8@	43949	HOSE ASSY., 3/8" X 19", 6FORFS90 X 6FORFS	1	HOSE 14
9@	43949	HOSE ASSY., 3/8" X 19", 6FORFS90 X 6FORFS	1	HOSE 15
10@	43950	HOSE ASSY., 3/8" X 23", 06FORFSTR X 06FORFSTR	1	HOSE 8
11@	43950	HOSE ASSY., 3/8" X 23", 06FORFSTR X 06FORFSTR	1	HOSE 9
12@	43952	HOSE ASSY., 3/4" X 22", -12ORFS.....	1	HOSE 1
13@	43953	HOSE ASSY., 1/2" X 24", 10FFOR90 X 8FORFSSTR	1	HOSE 2
14@	43955	HOSE ASSY., 1/2" X 36", 8FORFS90 X 8FORFSSTR.....	1	HOSE 5
15@	43956	HOSE ASSY., 5/8" X 68", 10FORFS X BARE	1	HOSE 7
16@	43957	HOSE ASSY., 1/2" X 23", 8FORFS90 X 8FORFSSTR.....	1	HOSE 6
17@	43958	HOSE ASSY., 1/2" X 96", 8FORFSSTR X 8FORFSSTR....	1	HOSE 4
18@	43959	HOSE ASSY., 1/2" X 83", 8FORFS90 X 8FORFSSTR.....	1	HOSE 3

Go to Discount-Equipment.com to order your parts

HYD. HOSE ASSY. (HYD. STEERING CYLINDERS)

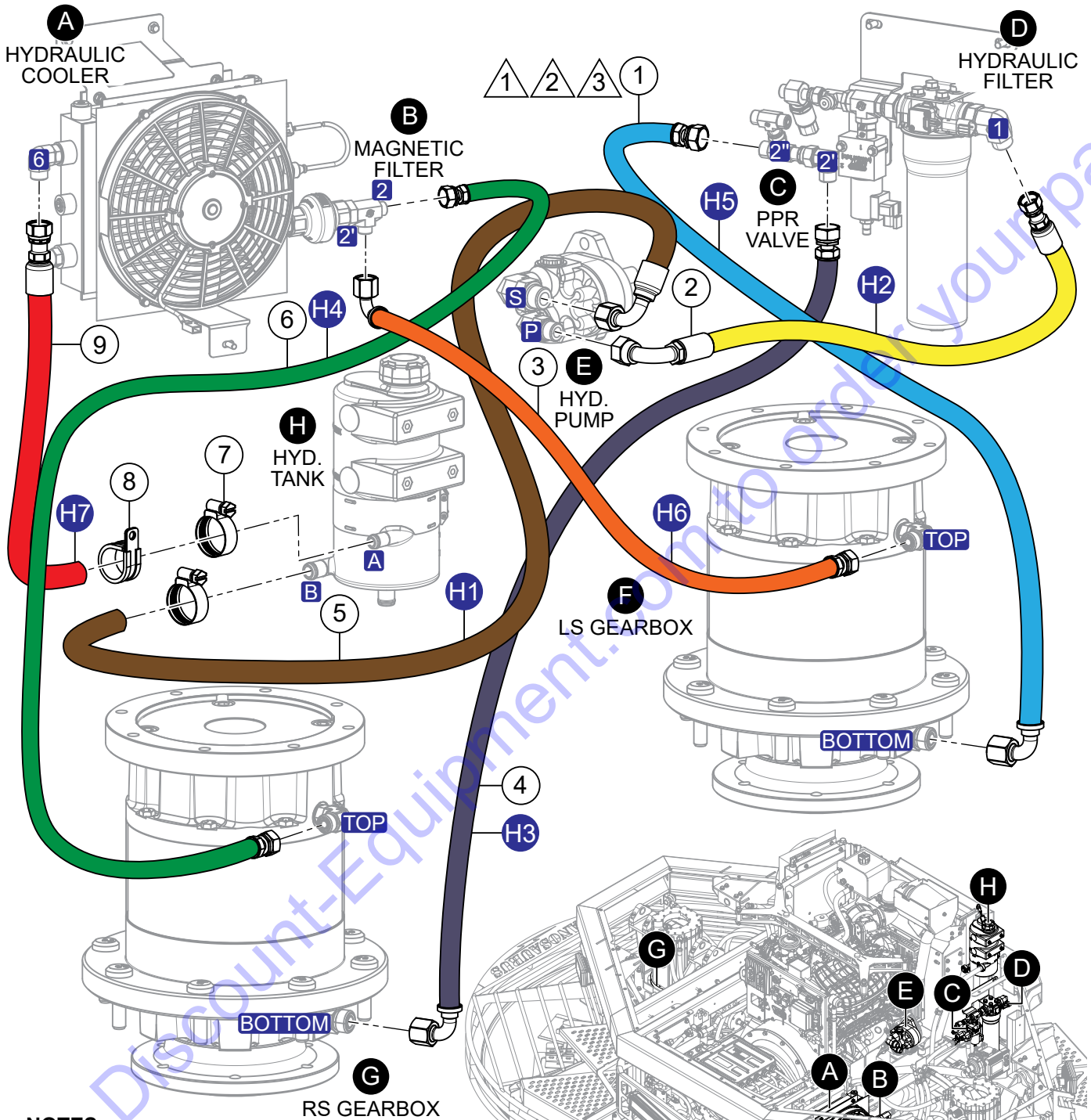


HYD. HOSE ASSY. (HYD. STEERING CYLINDERS)

<u>NO.</u>	<u>PART NO.</u>	<u>PART NAME</u>	<u>QTY.</u>	<u>REMARKS</u>
1	32422	FITTING, TEE-BH 6MORFS.....	4	
2	43940	HOSE ASSY., 3/8" X 19", 6FORFS X 6FORFS.....	1	HOSE 12
3	43940	HOSE ASSY., 3/8" X 19", 6FORFS X 6FORFS.....	1	HOSE 13
4	43950	HOSE ASSY., 3/8" X 23", 06FORFSTR X 06FORFSTR.....	1	HOSE 8
5	43950	HOSE ASSY., 3/8" X 23", 06FORFSTR X 06FORFSTR.....	1	HOSE 9
6	43949	HOSE ASSY., 3/8" X 19", 6FORFS90 X 6FORFS.....	1	HOSE 11
7	43949	HOSE ASSY., 3/8" X 19", 6FORFS90 X 6FORFS.....	1	HOSE 10
8	43940	HOSE ASSY., 3/8" X 19", 6FORFS X 6FORFS.....	1	HOSE 17
9	43949	HOSE ASSY., 3/8" X 19", 6FORFS90 X 6FORFS.....	1	HOSE 14
10	43949	HOSE ASSY., 3/8" X 19", 6FORFS90 X 6FORFS.....	1	HOSE 15
11	43940	HOSE ASSY., 3/8" X 19", 6FORFS X 6FORFS.....	1	HOSE 16

Go to Discount-Equipment.com to order your parts

HYD. HOSE ASSY. (TANK/PUMP/FILTER/COOLER/MOTORS)



NOTES:

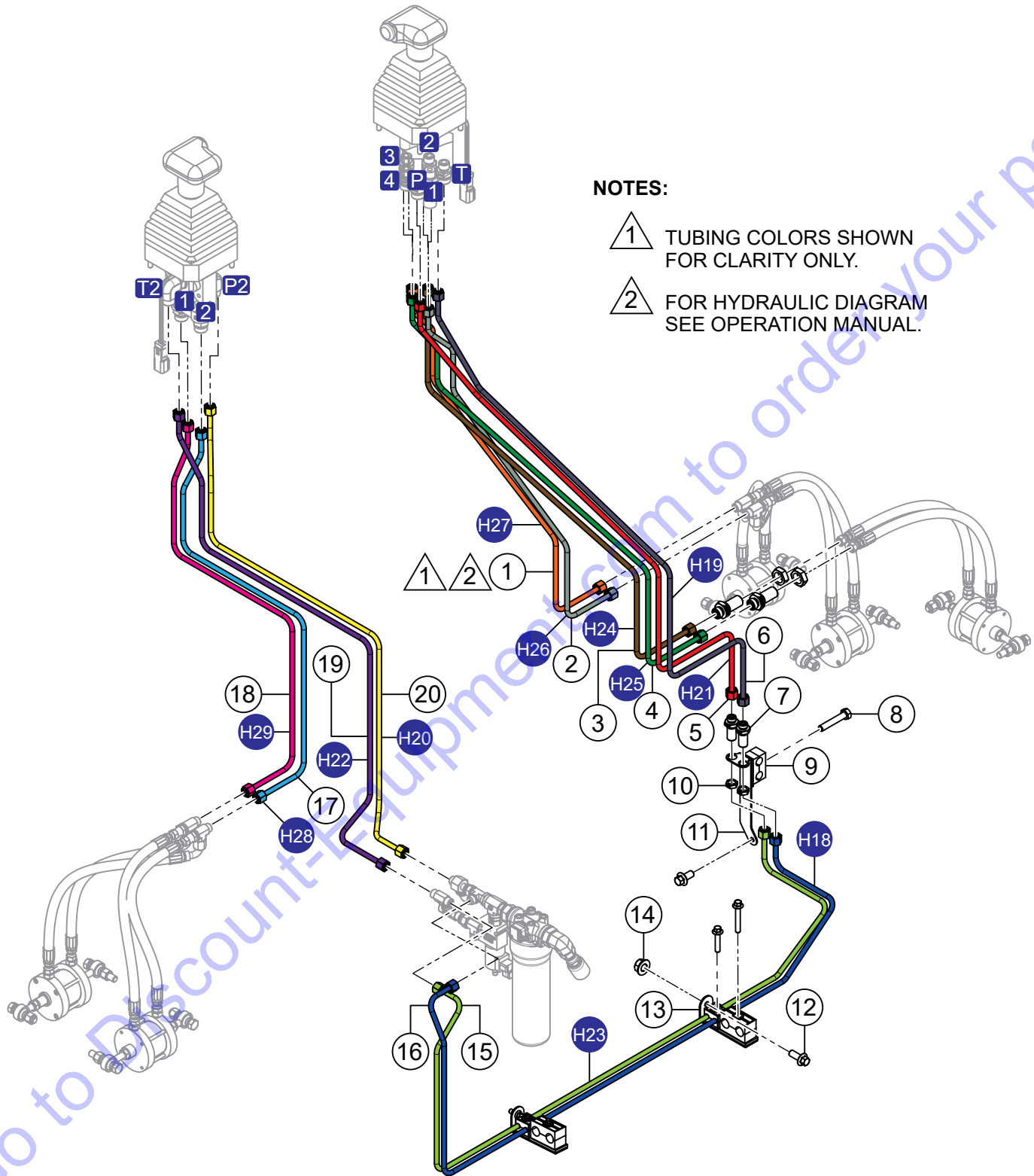
- 1 SEE HOSE KIT ASSY. APPLIES TO ALL HYDRAULIC HOSES.
- 2 HOSE COLORS SHOWN FOR CLARITY ONLY.
- 3 FOR HYDRAULIC DIAGRAM SEE OPERATION MANUAL.

HYD. HOSE ASSY. (TANK/PUMP/FILTER/COOLER/MOTORS)

<u>NO.</u>	<u>PART NO.</u>	<u>PART NAME</u>	<u>QTY.</u>	<u>REMARKS</u>
1	43955	HOSE ASSY., 1/2" X 36" 8FORFS90 X 8FORFSSTR.....	1.....	HOSE 5
2	43953	HOSE ASSY., 1/2" X 27" 10FFOR90 X 8FORFSSTR.....	1.....	HOSE 2
3	43957	HOSE ASSY., 1/2" X 23" 8FORFS90 X 8FORFSSTR.....	1.....	HOSE 6
4	43959	HOSE ASSY., PSH LK 1/2" X 82.55" 8FORFS X 90 X 8.....	1.....	HOSE 3
5	43952	HOSE ASSY., 3/4" X 22.55", -12ORFS90	1.....	HOSE 1
6	43958	HOSE ASSY., PSH LK 1/2" X 95.75 8FORFS X 8FOR.....	1.....	HOSE 4
7	3333	CLAMP, HOSE WORM #12, 11/16" TO 1-1/4"	2	
8	21574	CLAMP, LOOP CUSHIONED #16 0.25" HOLE	1	
9	43956	HOSE ASSY., 5/8" X 68", 10FORFS X BARE	1.....	HOSE 7

Go to Discount-Equipment.com to order your parts

HYDRAULIC TUBING ASSY.

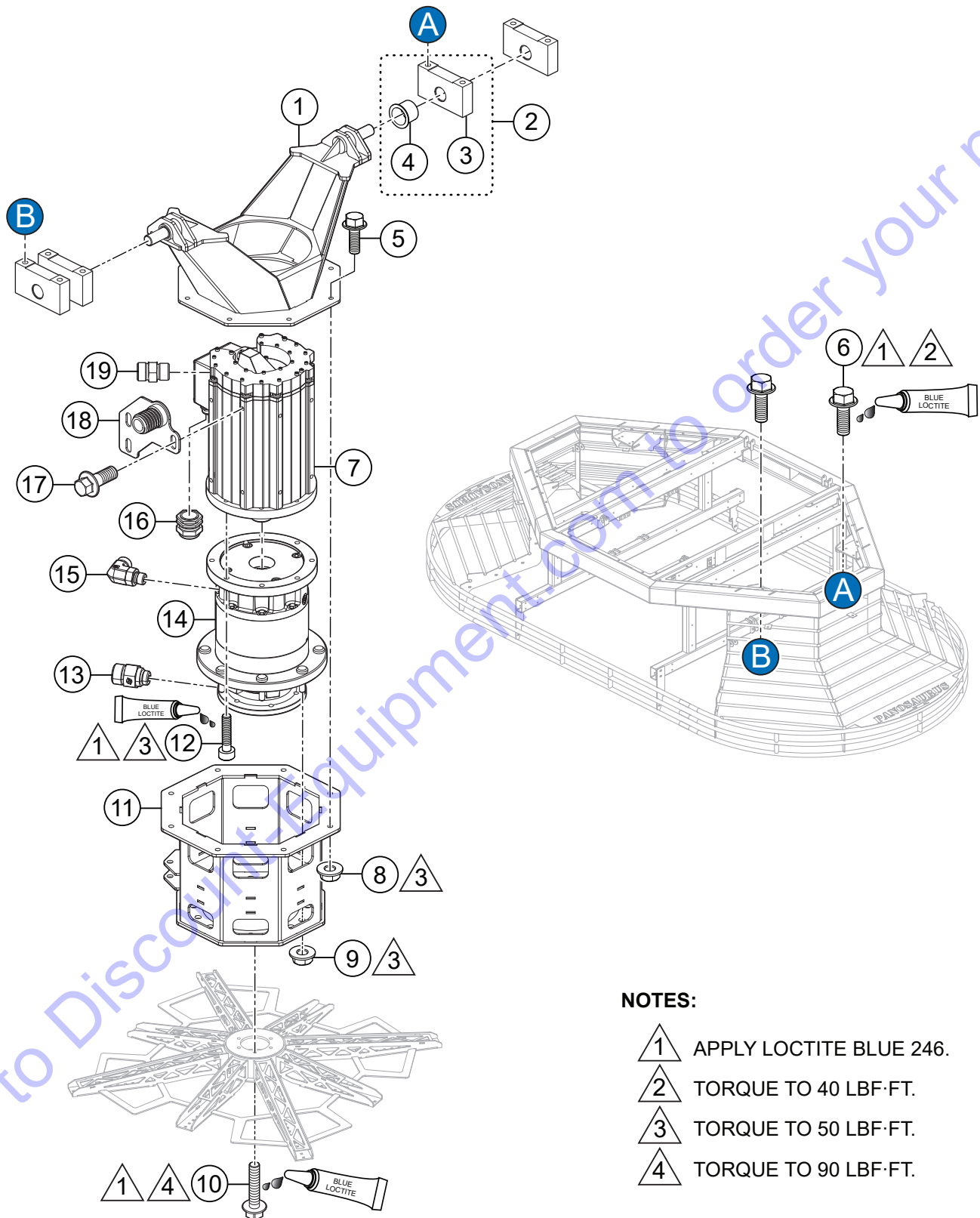


HYDRAULIC TUBING ASSY.





<u>NO.</u>	<u>PART NO.</u>	<u>PART NAME</u>	<u>QTY.</u>	<u>REMARKS</u>
1	45244	HYD. TUBING, RIGHT JOYSTICK PORT 1.....	1.....	HOSE 27
2	45246	HYD. TUBING, RIGHT JOYSTICK PORT 3.....	1.....	HOSE 26
3	45245	HYD. TUBING, RIGHT JOYSTICK PORT 2.....	1.....	HOSE 24
4	45247	HYD. TUBING, RIGHT JOYSTICK PORT 4.....	1.....	HOSE 25
5	45249	HYD. TUBING, RIGHT JOYSTICK TANK.....	1.....	HOSE 21
6	45248	HYD. TUBING, RIGHT JOYSTICK PRESSURE.....	1.....	HOSE 19
7	32252	FITTING, STR -6MORFS X -6MORFS BULKHEAD	4	
8	1207	SCREW, HHC 5/16-18 X 1-3/4"	1	
9	20913	CLAMP, 0.75 OD TUBE STAUFF	3	
10	32352	NUT, -6 BULKHEAD	4	
11	45336	HYDRAULIC TUBE STAND	1	
12	42929	SCREW, HHFS M6-1.0 X 65	7	
13	45334	HYDRAULIC TUBE CROSSOVER	2	
14	23802	NUT, HEX FLANGE M8-1.25 SERRATED	2	
15	45264	HYD. TUBING, HYD. SUPPLY PUMP TO FILTER	1.....	HOSE 23
16	45265	HYD. TUBING, HYD. RETURN TO CYCLONE	1.....	HOSE 18
17	45250	HYD. TUBING, LEFT JOYSTICK 1	1.....	HOSE 28
18	45251	HYD. TUBING, LEFT JOYSTICK 2	1.....	HOSE 29
19	45253	HYD. TUBING, LEFT JOYSTICK TANK	1.....	HOSE 22
20	45252	HYD. TUBING, LEFT JOYSTICK PRESSURE	1.....	HOSE 20

Go to Discount-Equipment.com to order your parts

LEFT-SIDE DRIVE ASSY.



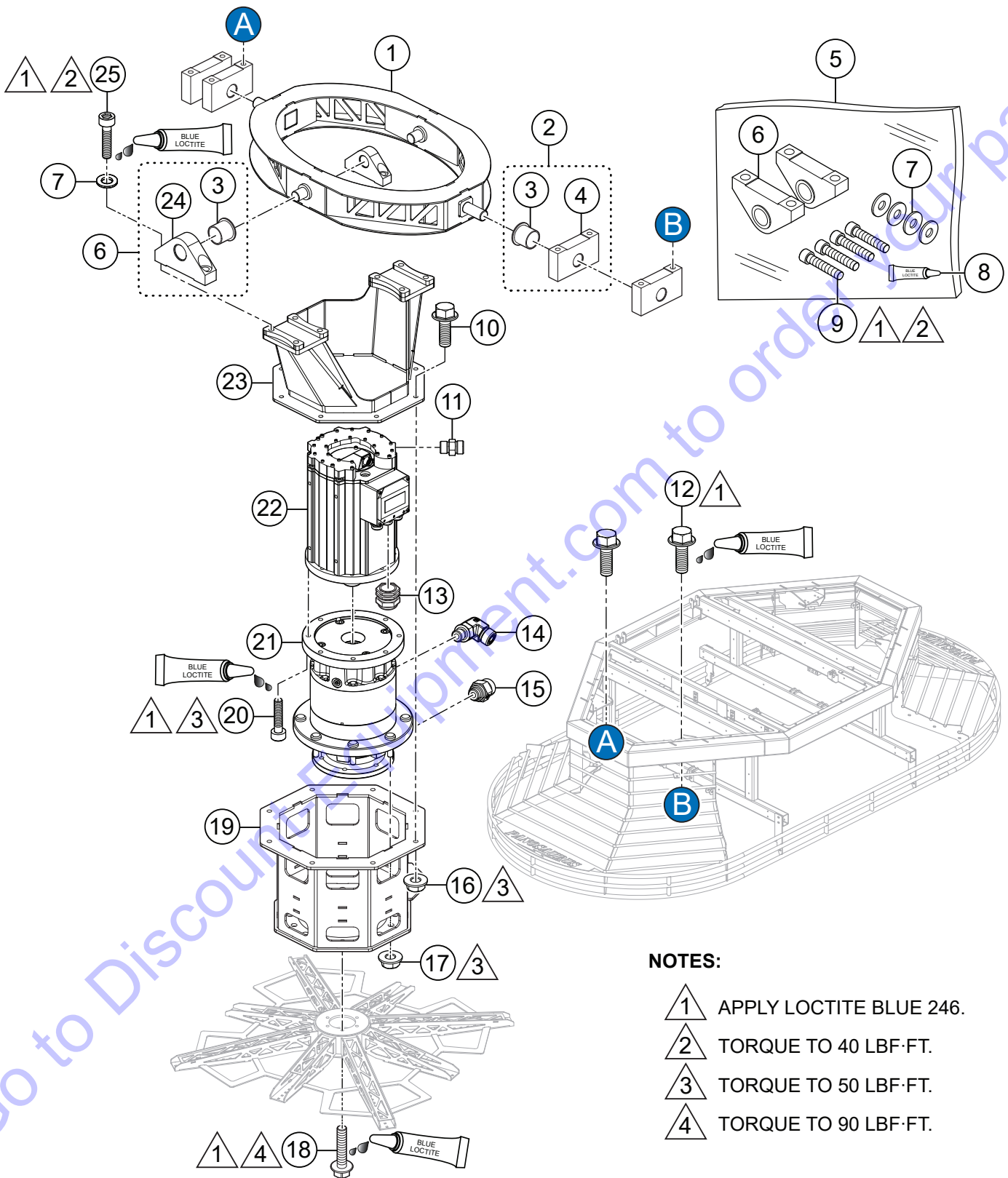
NOTES:

-  APPLY LOCTITE BLUE 246.
-  TORQUE TO 40 LBF-FT.
-  TORQUE TO 50 LBF-FT.
-  TORQUE TO 90 LBF-FT.

LEFT-SIDE DRIVE ASSY.

<u>NO.</u>	<u>PART NO.</u>	<u>PART NAME</u>	<u>QTY.</u>	<u>REMARKS</u>
1	45344	HOUSING, UPPER 1DOF	1	
2	43152	PIVOT BLOCK ASSY., MOTOR MOUNT W/ BUSHING	4	INCLUDESITEMSW/@
3@	43151	PIVOT BLOCK, MOTOR MOUNT	4	
4@	10221	BUSHING, GLIDE IGUS #TFI-1618-16	4	
5	30450	SCREW, HFS, M10-1.5 X 35 GR. 8.8 ZP PATCH	8	
6	32976	SCREW, HFS M10-1.5 X 25 CLASS 10.9	8	
7	45040	MOTOR, GVM150	1	
8	42353	NUT, HEX, SERRATED-FLANGE, M10-1.5	8	
9	43931	NUT, HEX FLANGED, M12-1.50	8	
10	45519	SCREW, HHF M12-1.75 X 30 - 10.9	6	
11	45342	HOUSING, LOWER LEFT	1	
12	43754	SCREW, SHC M10-1.5 X 40MM GR. 12.9 FULL T	8	
13	43978	FITTING, STR -8 MORFS X - 6 MORB	2	
14	45039	GEARBOX, ROTOR	1	
15	45513	FITTING, 90 6ORB X 8MORFS	1	
16	43780	GLAND, GROUNDED M25 X 1.5 POWER CABLE	3	
17	45715	SCREW, HFS, M10-1.5 X 16, CLASS 8.8	2	
18	43723	BRACKET, PROPANE HOSE STOW	1	
19	32425	FITTING, STR 8MORFS X 8MOR	2	

RIGHT-SIDE DRIVE ASSY.



NOTES:

- ▲ 1 APPLY LOCTITE BLUE 246.
- ▲ 2 TORQUE TO 40 LBF·FT.
- ▲ 3 TORQUE TO 50 LBF·FT.
- ▲ 4 TORQUE TO 90 LBF·FT.

RIGHT-SIDE DRIVE ASSY.

<u>NO.</u>	<u>PART NO.</u>	<u>PART NAME</u>	<u>QTY.</u>	<u>REMARKS</u>
1	45054	TRUNNION, PRX 2 DOF	1	
2	43152	PIVOT BLOCK ASSY., MOTOR MOUNT W/ BUSHING	4	INCLUDES ITEMS W/@
3@#+	10221	BUSHING, GLIDE IGUS #TFI-1618-16	10	
4@	43151	PIVOT BLOCK, MOTOR MOUNT	4	
5	42280-SK	KIT, ASSY., BLOCK MOTOR MOUNT 2 DOF PIVOT	1	INCLUDES ITEMS W/#
6#	42280	BLOCK, MOTOR MOUNT 2 DOF PIVOT, ASSY.....	6	INCLUDES ITEMS W/+
7#	43180	WASHER, FLAT M12, DIN 433	12	
8#	1477	LOCTITE 242 BLUE .5CC	1	
9#	43181	SCREW, SHC, M12 X 60, DIN912, GR 12.9	4	
10	30450	SCREW, HFS, M10-1.5 X 35 GR8.8 ZP PATCH	8	
11	32425	FITTING, STR 8MORFS X 8MOR	2	
12	32976	SCREW, HFS M10-1.5 X 25 CLASS 10.9	8	
13	43780	GLAND, GROUNDED M25 X 1.5 POWER CABLE	3	
14	45513	FITTING, 90 6ORB X 8MORFS	1	
15	43978	FITTING, STR -8 MORFS X - 6 MORB	1	
16	42353	NUT, HEX, SERRATED-FLANGE, M10-1.5	8	
17	43931	NUT, HEX FLANGED, M12-1.50	8	
18	45519	SCREW, HHF M12-1.75 X 30 - 10.9	6	
19	45343	HOUSING, LOWER RIGHT	1	
20	43754	SCREW, SHC M10-1.5 X 40MM GR 12.9 FULL T	8	
21	45039	GEARBOX, ROTOR	1	
22	45040	MOTOR, GVM150	1	
23	43845	MOTOR HOUSING WELDMENT	1	
24#+	3942280	PIVOT BLOCK, MOTOR MOUNT	6	
25	32977	SCREW, SHC M12-1.75 X 45 GR 12.9	8	

PARTS FINDER

**Search Website
by Part Number**



**Search Manual
Library For Parts
Manual & Lookup Part
Numbers – Purchase
or Request Quote**

Search Manuals

Enter your information to help us find the right parts manual for your machine.

* Brand:

* Model:

* Serial:

* Part Number:

SEARCH

**Can't Find Part or
Manual? Request Help
by Manufacturer,
Model & Description**

Parts Order Form

Please fill in the following information to help us find the right part for your machine.

Manufacturer:	<input type="text"/>
Model:	<input type="text"/>
Description:	<input type="text"/>
Part Number:	<input type="text"/>
Quantity:	<input type="text"/>
Notes:	<input type="text"/>

Submit

Discount-Equipment.com is your online resource for quality parts & equipment.

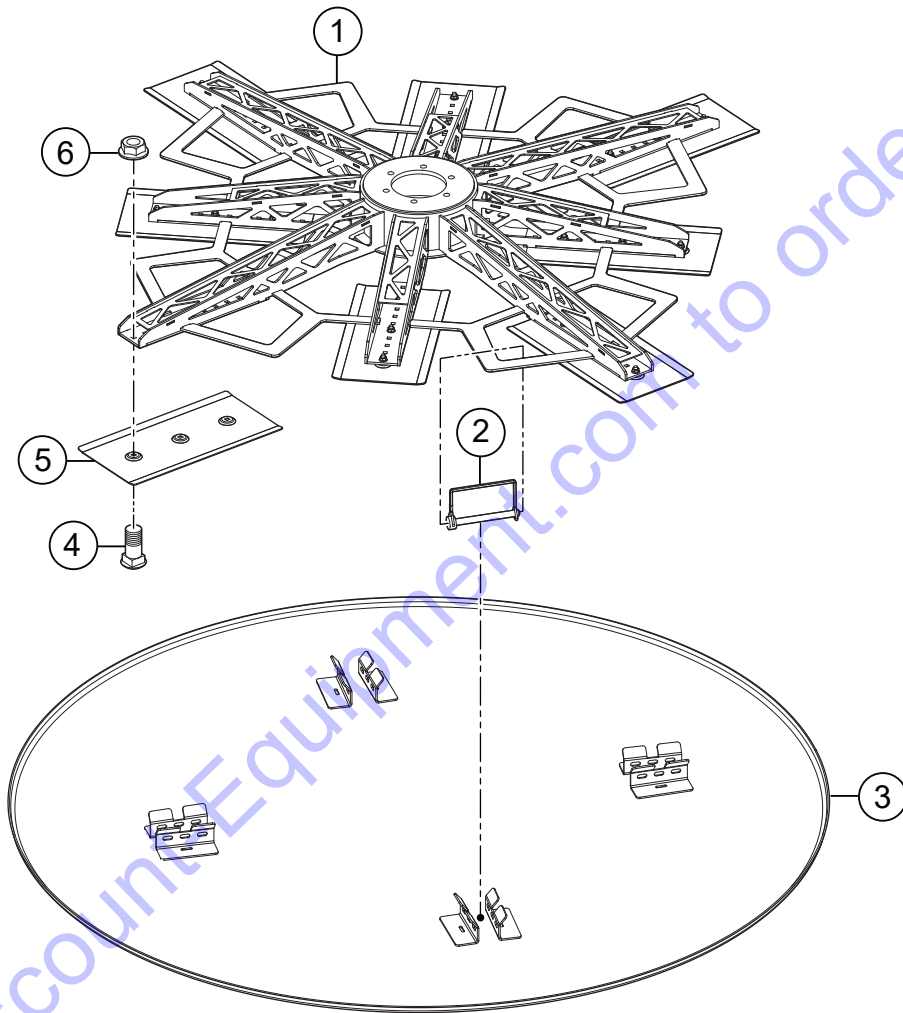
Florida: **561-964-4949** Outside Florida TOLL FREE: **877-690-3101**

Need parts?

Click on this link: <http://www.discount-equipment.com/category/5443-parts/> and choose one of the options to help get the right parts and equipment you are looking for. Please have the machine model and serial number available in order to help us get you the correct parts. If you don't find the part on the website or on one of the online manuals, please fill out the request form and one of our experienced staff members will get back to you with a quote for the right part that your machine needs.

We sell worldwide for the brands: Genie, Terex, JLG, MultiQuip, Mikasa, Essick, Whiteman, Mayco, Toro Stone, Diamond Products, Generac Magnum, Airman, Haulotte, Barreto, Power Blanket, Nifty Lift, Atlas Copco, Chicago Pneumatic, Allmand, Miller Curber, Skyjack, Lull, Skytrak, Tsurumi, Husquvarna Target, Stow, Wacker, Sakai, Mi-T-M, Sullair, Basic, Dynapac, MBW, Weber, Bartell, Bennar Newman, Haulotte, Ditch Runner, Menegotti, Morrison, Contec, Buddy, Crown, Edco, Wyco, Bomag, Laymor, EZ Trench, Bil-Jax, F.S. Curtis, Gehl Pavers, Heli, Honda, ICS/PowerGrit, IHI, Partner, Imer, Clipper, MMD, Koshin, Rice, CH&E, General Equipment, Amida, Coleman, NAC, Gradall, Square Shooter, Kent, Stanley, Tamco, Toku, Hatz, Kohler, Robin, Wisconsin, Northrock, Oztec, Toker TK, Rol-Air, APT, Wylie, Ingersoll Rand / Doosan, Innovatech, Con X, Ammann, Mecalac, Makinex, Smith Surface Prep, Small Line, Wanco, Yanmar

SPIDERS AND PANS ASSY.

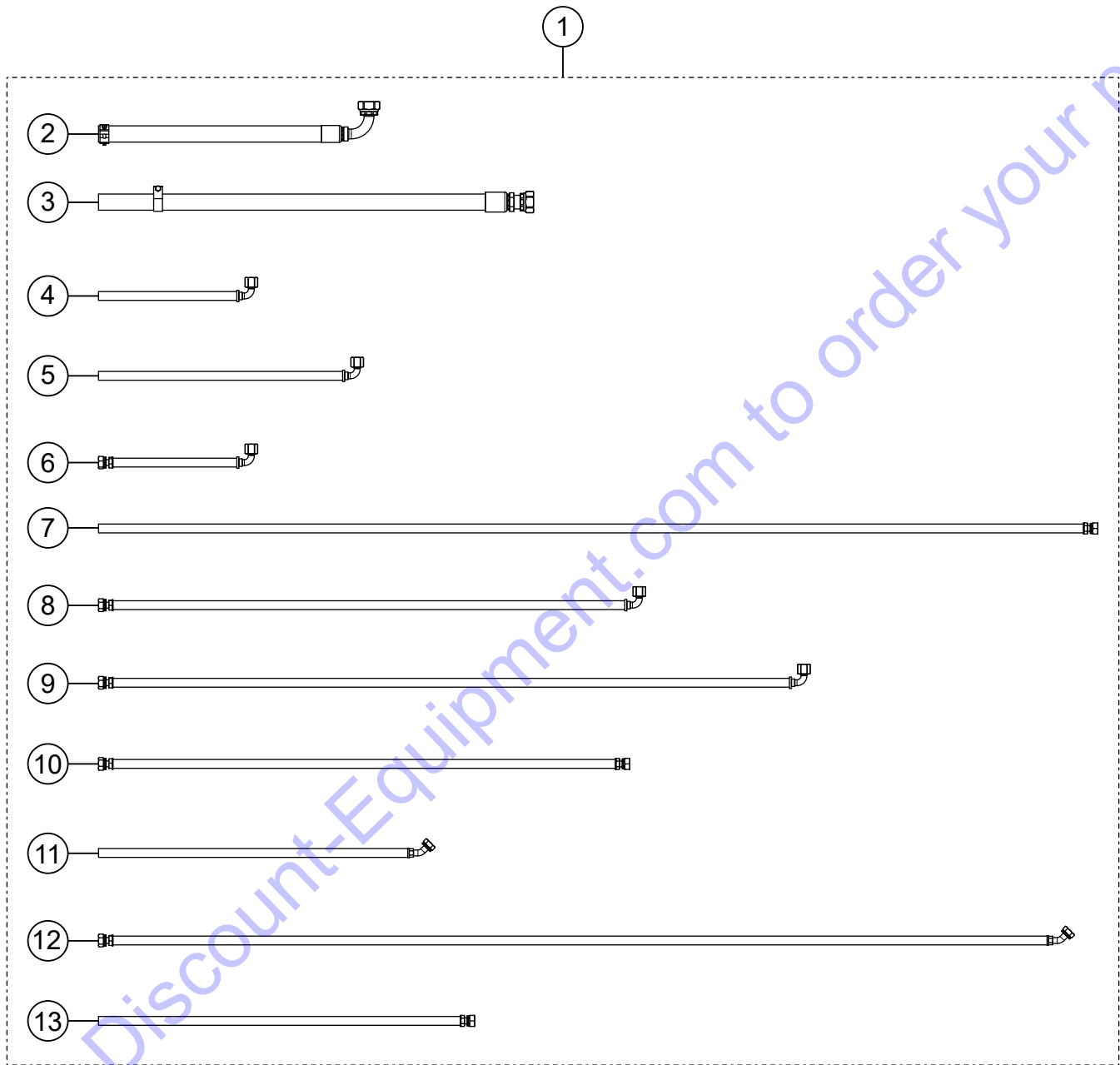


SPIDERS AND PANS ASSY.

<u>NO.</u>	<u>PART NO.</u>	<u>PART NAME</u>	<u>QTY.</u>	<u>REMARKS</u>
1	45032	SPIDER, PRX	2	
2	49521	PIN, HITCH, WIRE LOCK, 5/16" DIA. X 3"	8	
3	43777	PAN, PRX	2	
4	19824	BOLT, CARRIAGE 5/16-16 X 3/4"	48	
5	45608	PAD, ROTOR	16	
6	49071	NUT, HFS, 5/16-18	48	

Go to Discount-Equipment.com to order your parts

ELECTRIC DRIVE COOLING HOSE KIT ASSY. (COMPLETE)

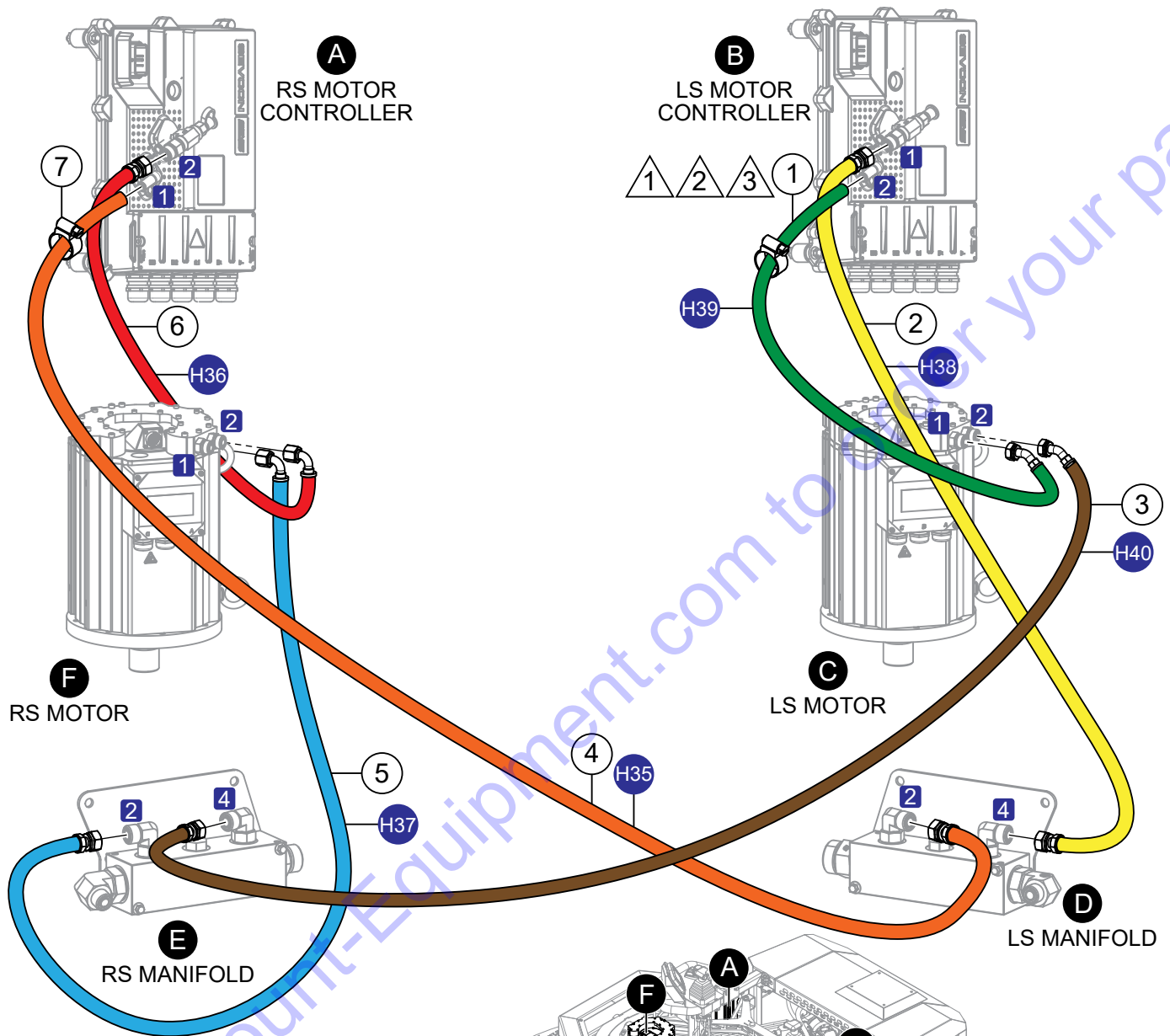


ELECTRIC DRIVE COOLING HOSE KIT ASSY. (COMPLETE)

<u>NO.</u>	<u>PART NO.</u>	<u>PART NAME</u>	<u>QTY.</u>	<u>REMARKS</u>
1	45507	ELEC. DRIVE COOLING HOSE KIT ASSEMBLY	1	INCLUDES ITEMS W/@
2@	45514	HOSE ASSY., 1" ID X 23", 16FORFS90 X BARE.....	1	HOSE 30
3@	45515	HOSE ASSY., 1" ID X 37", 16FORFS STR X BARE.....	1	HOSE 31
4@	45523	HOSE ASSY., 0.5" ID X 13", 8FORFS90 X BARE.....	1	HOSE 32
5@	45526	HOSE ASSY., 0.5" ID X 22", 8FORFS90 X BARE.....	1	HOSE 33
6@	45525	HOSE ASSY., 0.5" ID X 13", 8FORFS90 X 8FORFSSTR ..	1	HOSE 34
7@	45520	HOSE ASSY., 0.5" ID X 85", 8FORFS STR X BARE.....	1	HOSE 35
8@	45521	HOSE ASSY., 0.5" ID X 46", 8FORFS90 X 8FORFSSTR ..	1	HOSE 36
9@	45522	HOSE ASSY., 0.5" ID X 58", 8FORFS90 X 8FORFS90	1	HOSE 37
10@	45518	HOSE ASSY., 0.5" ID X 45", 8FORFS X 8FORFS	1	HOSE 38
11@	45516	HOSE ASSY., 0.5" ID X 28", 8FORFS45 X BARE.....	1	HOSE 39
12@	45517	HOSE ASSY., 0.5" ID X 83", 8FORFS45 X 8FORFSSTR ..	1	HOSE 40
13@	45524	HOSE ASSY., 0.63" ID X 29", 8FORFS X BARE.....	1	HOSE 44

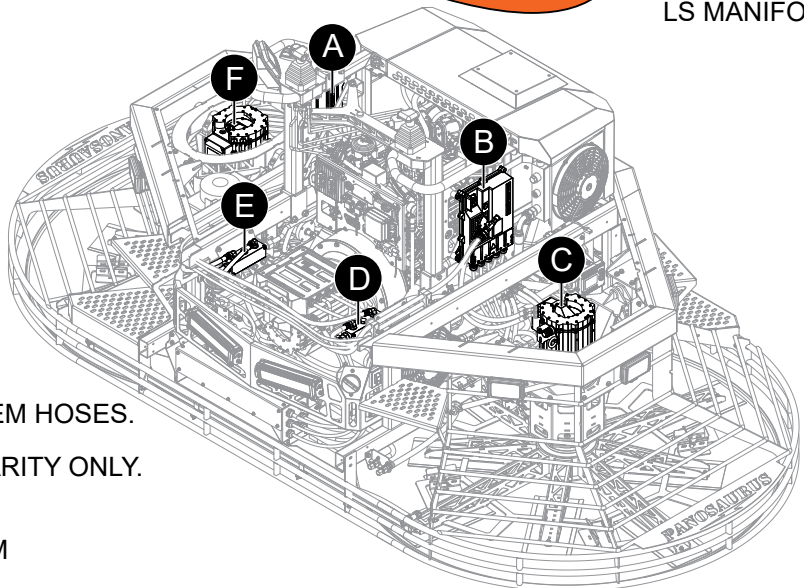
Go to Discount-Equipment.com to order your parts

ELECTRIC DRIVE COOLING HOSE ASSY. (MOTORS)



NOTES:

- ① SEE COOLING HOSE KIT ASSY. APPLIES TO ALL COOLING SYSTEM HOSES.
- ② HOSE COLORS SHOWN FOR CLARITY ONLY.
- ③ FOR COOLING SYSTEM DIAGRAM SEE OPERATION MANUAL.

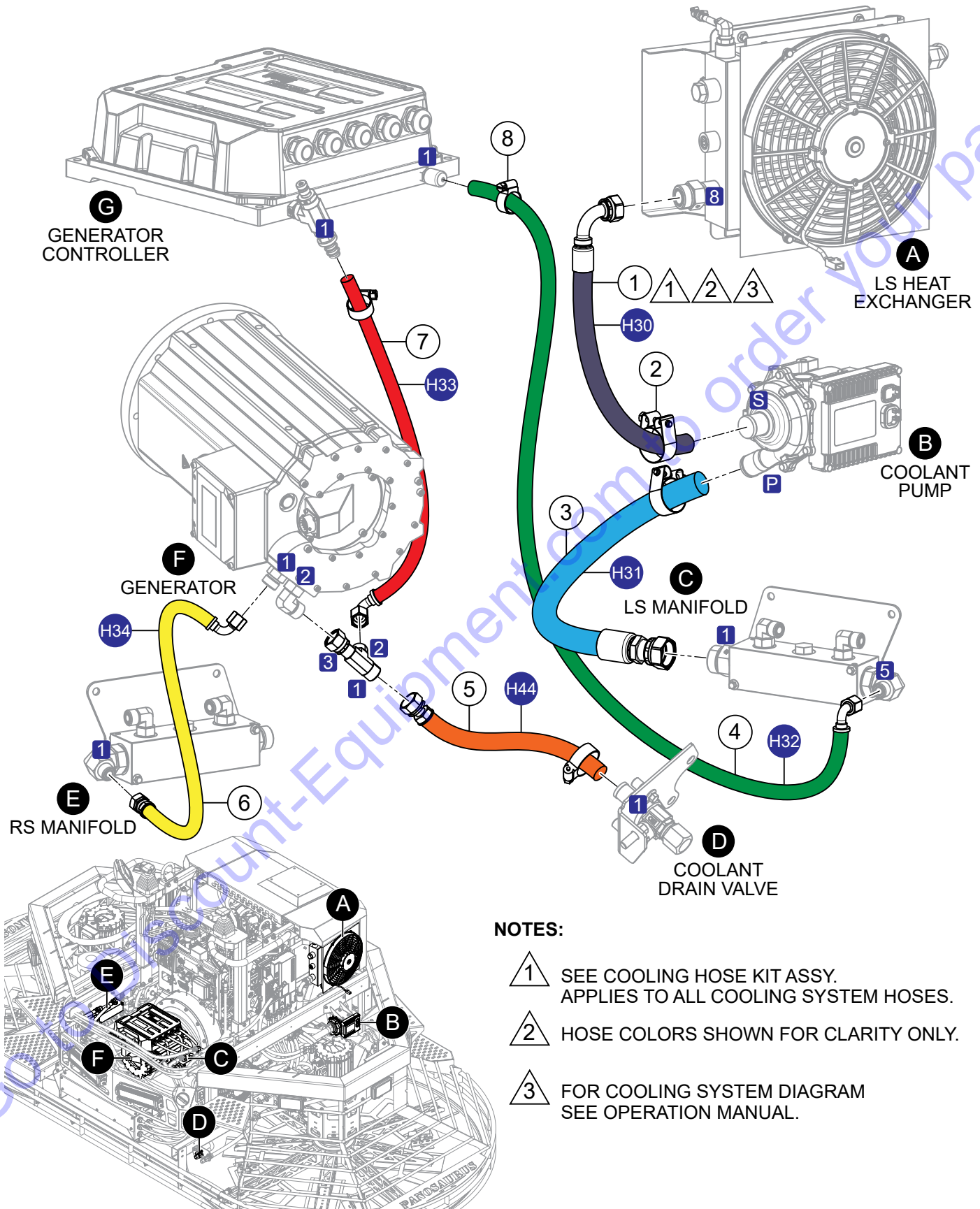


ELECTRIC DRIVE COOLING HOSE ASSY. (MOTORS)

<u>NO.</u>	<u>PART NO.</u>	<u>PART NAME</u>	<u>QTY.</u>	<u>REMARKS</u>
1	45516	HOSE ASSY., 0.5" ID X 28", 8FORFS45 X BARE.....	1.....	HOSE 39
2	45518	HOSE ASSY., 0.5" ID X 45", 8FORFS X 8FORFS	1.....	HOSE 38
3	45517	HOSE ASSY., 0.5" ID X 83", 8FORFS45 X 8FORFSSTR.....	1.....	HOSE 40
4	45520	HOSE ASSY., 0.5" ID X 85", 8FORFS STR X BARE	1.....	HOSE 35
5	45522	HOSE ASSY., 0.5" ID X 58", 8FORFS90 X 8FORFS90	1.....	HOSE 37
6	45521	HOSE ASSY., 0.5" ID X 46", 8FORFS90 X 8FORFSSTR.....	1.....	HOSE 36
7	15538	CLAMP, HOSE WORM #6	2	

Go to Discount-Equipment.com to order your parts

ELECTRIC DRIVE COOLING HOSE ASSY. (GENERATOR/PUMP)



NOTES:

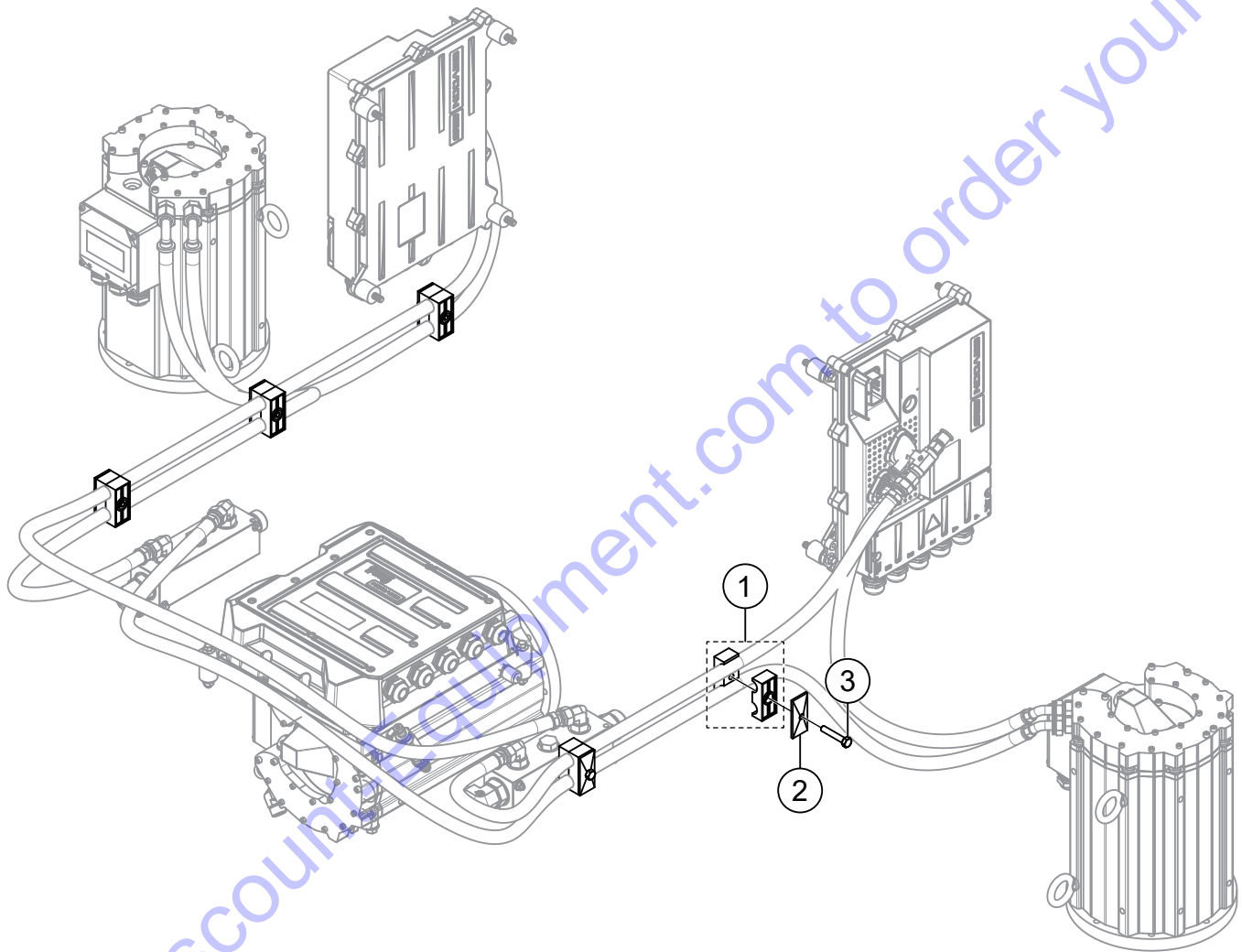
- ① SEE COOLING HOSE KIT ASSY. APPLIES TO ALL COOLING SYSTEM HOSES.
- ② HOSE COLORS SHOWN FOR CLARITY ONLY.
- ③ FOR COOLING SYSTEM DIAGRAM SEE OPERATION MANUAL.

ELECTRIC DRIVE COOLING HOSE ASSY. (GENERATOR/PUMP)

<u>NO.</u>	<u>PART NO.</u>	<u>PART NAME</u>	<u>QTY.</u>	<u>REMARKS</u>
1	45514	HOSE ASSY., 1" ID X 23", 16FORFS90 X BARE.....	1	HOSE 30 INCLUDES ITEMS W/ @
2 @ #	43886	CLAMP, T-BOLT 1.25" – 1.50"	2	
3	45515	HOSE ASSY., 1" ID X 37", 16FORFSSTR X BARE	1	HOSE 31 INCLUDES ITEMS W/ #
4	45523	HOSE ASSY., 0.5" ID X 13", 8FORFS90 X BARE.....	1	HOSE 32
5	45524	HOSE ASSY., 0.63" ID X 32" 8FORFS X BARE.....	1	HOSE 44
6	45525	HOSE ASSY., 0.5" ID X 13", 8FORFS90 X 8FORFSSTR.....	1	HOSE 34
7	45526	HOSE ASSY., 0.5" ID X 22", 8FORFS90 X BARE.....	1	HOSE 33
8	15538	CLAMP, HOSE WORM #6	3	

Go to Discount-Equipment.com to order your parts

ELECTRIC DRIVE COOLING HOSE CLAMPS ASSY.

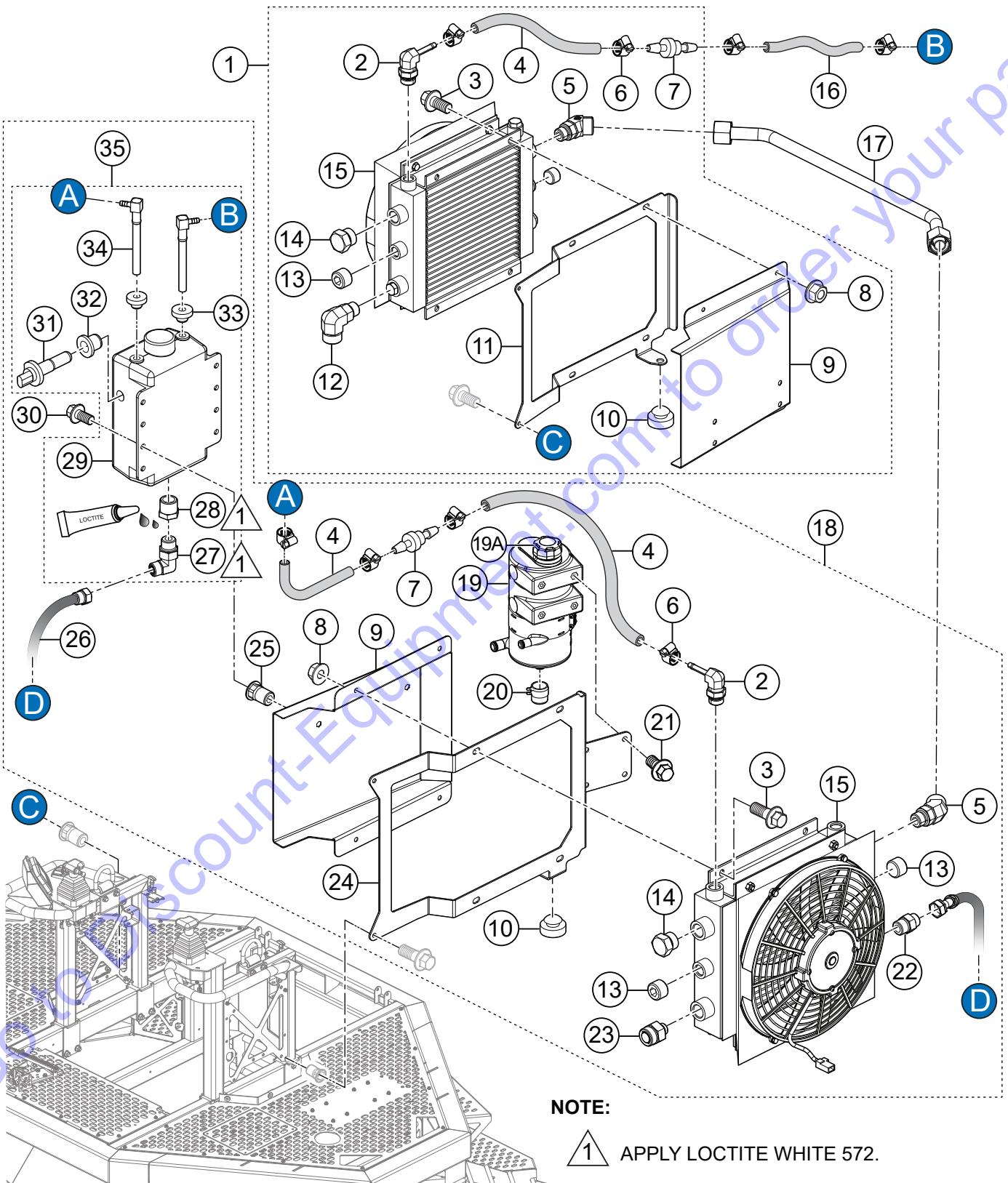


ELECTRIC DRIVE COOLING HOSE CLAMPS ASSY.

<u>NO.</u>	<u>PART NO.</u>	<u>PART NAME</u>	<u>QTY.</u>	<u>REMARKS</u>
1	20913	CLAMP, 0.75" OD TUBE	5	
2	20912	COVER, 0.75" OD TUBE	5	
3	1207	SCREW, HHC 5/16-18 X 1-3/4"	5	

Go to Discount-Equipment.com to order your parts

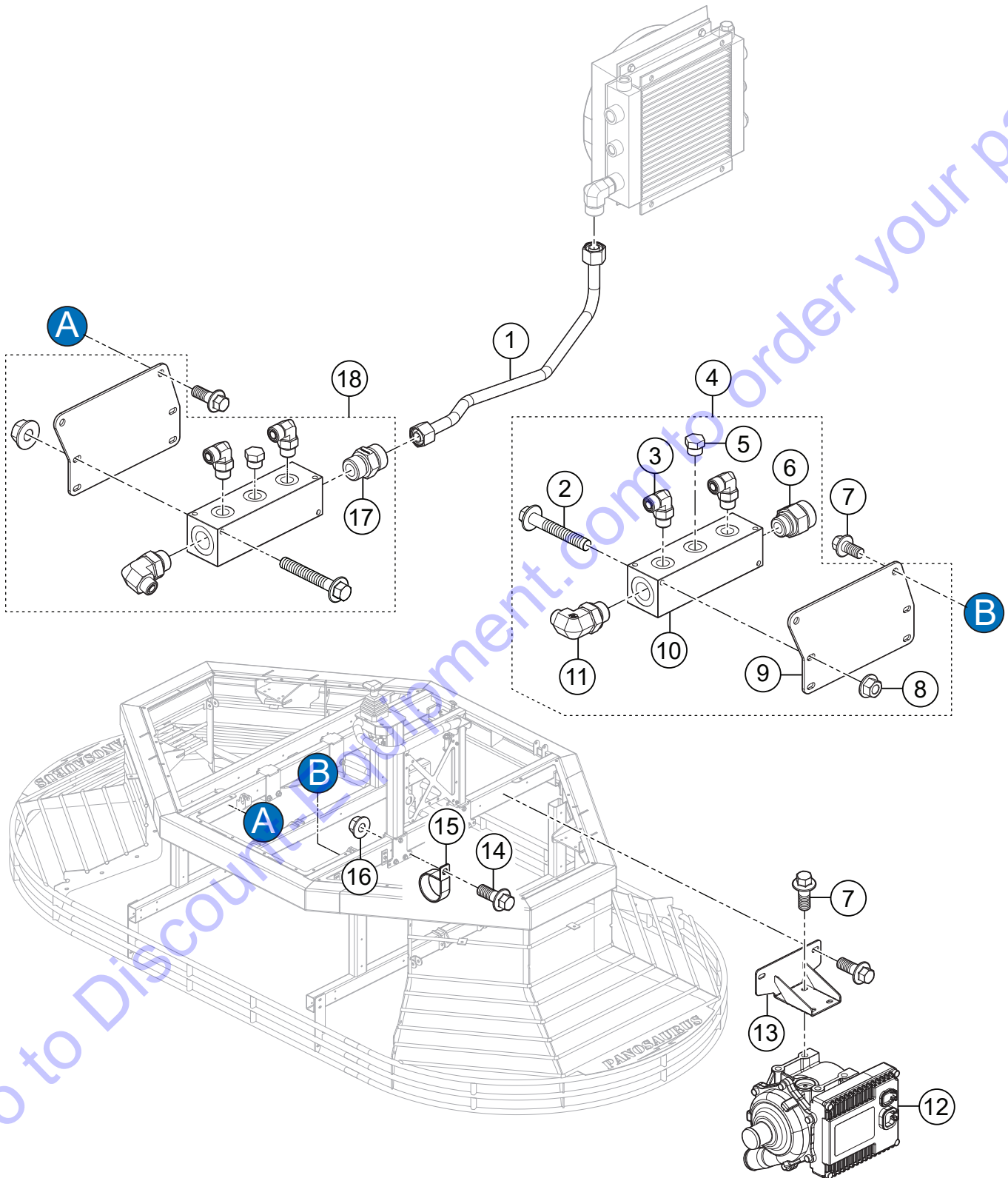
COOLANT TANK AND HEAT EXCHANGERS ASSY.



COOLANT TANK AND HEAT EXCHANGERS ASSY.

<u>NO.</u>	<u>PART NO.</u>	<u>PART NAME</u>	<u>QTY.</u>	<u>REMARKS</u>
1	45085	HEAT EXCHANGER ASSY., RH.....	1	INCLUDES ITEMS W/@
2@#	45593	FITTING, 90, 8MO X 4BARB	2	
3@#	22021	SCREW, HEX FLANGE M8-1.25 X 20MM GR10.9	8	
4@#	60067	HOSE .25 ID X .375 OD BRAIDED PVC (0.82 FT)	1	1 PC = 1 FT
5@#	45594	FITTING 45, 12MORFS X 10MORB	2	
6@#	19473	CLAMP, HOSE WORM #2	8	
7@#	23076	CHECK VALVE, 3/16" DUCKBILL	7	
8@#	23802	NUT, HEX FLANGE M8-1.25 SERRATED	8	
9@#	45358	COLD AIR DUCT, COOLER INLET	2	
10@#	21597	BUMPER, STEM 1.0"D X 0.5S X 0.31	2	
11@	43847	COOLER MOUNT, ELEC. COOLING, RH	1	
12@	42940	FITTING, 90 12MORFS X 10MOR	1	
13@#	5016 B	FITTING, PLUG 3/8MP HEX SKT HD	4	
14@#	32468	FITTING, PLUG - ORING - 10	2	
15@#	42648	HEAT EXCHANGER, HYDRAULIC, TIER 4	2	
16	60001	HOSE, .375 OD X .25 ID CLEAR PVC	1	
17	45213	COOLER CROSSOVER HARD TUBE	1	
18	45086	HEAT EXCHANGER ASSY., LH	1	INCLUDES ITEMS W/#
19#	45132	CYCLONE, HYDRAULIC RESERVOIR 8 GPM.....	1	INCLUDES ITEMS W/%
19A#%	45132-01	RESERVOIR CAP	1	
20#	45645	CAP, 8GPM CYCLONE, DRAIN	1	
21#	42342	SCREW, HHFS, M8-1.25 X 16 GR 8.8	4	
22#	42941	FITTING, STR 8MORFS X 10MOR	1	
23#	43580	FITTING, -10 MORB TO -16MORFS	1	
24#	43848	COOLER MOUNT, ELEC. COOLING, LH	1	
25#	42496	NUT, BLIND, HEX, M6-1.0 X 0.7 - 4.2 GRIP	4	
26#	45528	HOSE ASSY., 0.5ID X 23", 8FORSSTR X 8FORFS45	1	
27#+	45637	FITTING, 90, 3/4MP X -8MORFS	1	
28#+	16346	FITTING, STR 3/4MP X 1 MP	1	
29#+	45628	BOTTLE, COOLANT FILL, 4QT	1	
30#	42542	SCREW HHFS M6-1.0 X 16	4	
31#+	45529	SENSOR, HORIZONTAL FLUID LEVEL	1	
32#+	45724	GROMMET, HORIZONTAL FLUID SENSOR	1	
33#+	19633	BUSHING, RUBBER FUEL	2	
34#+	43975	FITTING, 90 -3 BARB X THR TNK PUP 3" EXT.	2	
35#	45629	TANK ASSY., COOLANT FILL, DRV. SYS.	1	INCLUDES ITEMS W/+

COOLANT PUMP AND MANIFOLDS ASSY.

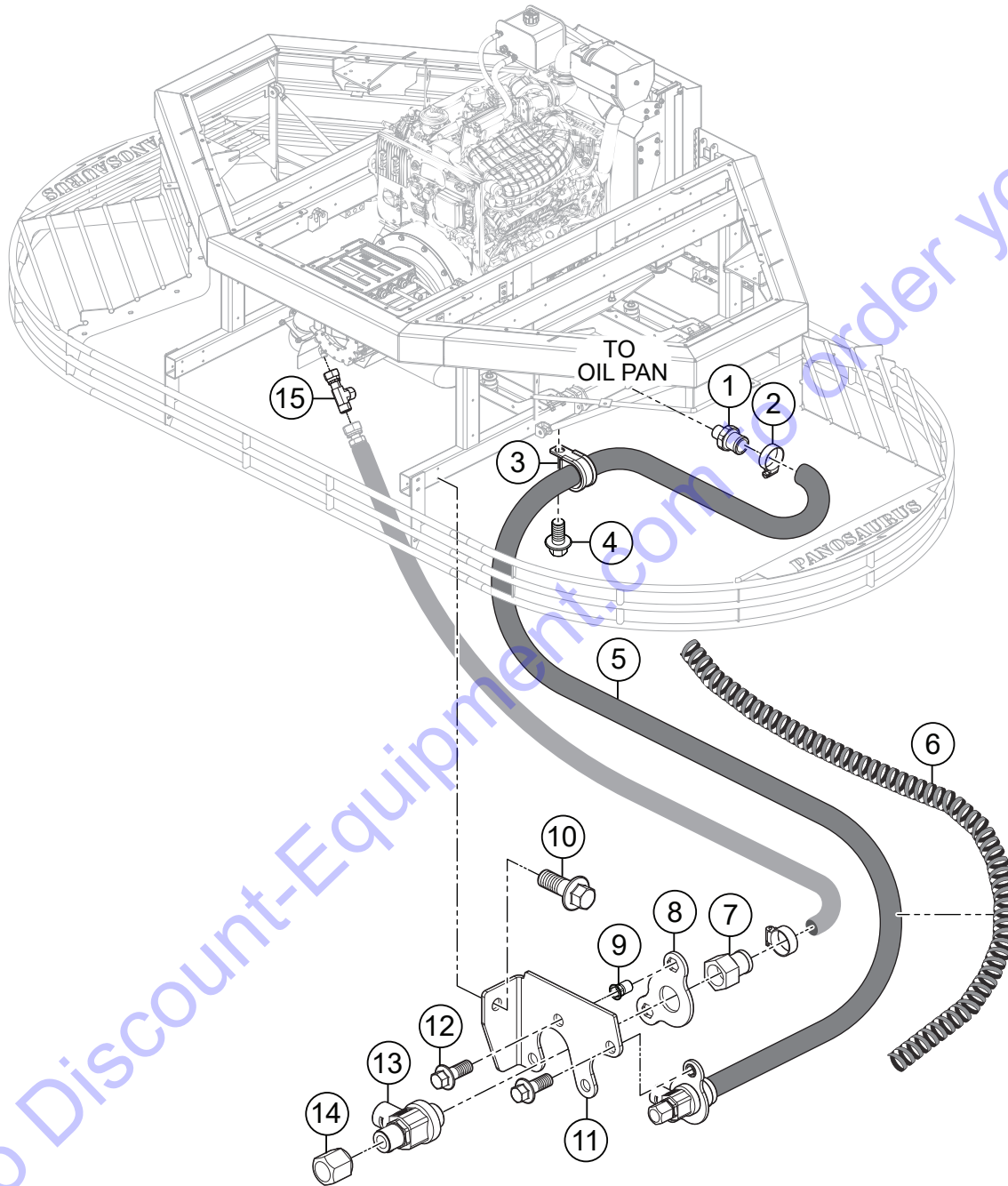


COOLANT PUMP AND MANIFOLDS ASSY.

<u>NO.</u>	<u>PART NO.</u>	<u>PART NAME</u>	<u>QTY.</u>	<u>REMARKS</u>
1	45211	RIGHT COOLER TO MANIFOLD TUBE	1	
2@#	42929	SCREW, HHFS M6-1.0 X 65	4	
3@#	32718	FITTING, 90 8MORFS X 8MOR	4	
4	43965	DIST. BLOCK, COOLING - LH, ELEC. DRIVE.....	1	INCLUDES ITEMS W/@
5@#	368655	FITTING, PLUG 8MO	2	
6@	45597	FITTING, STR 16MORFS X 12MO	1	
7	22021	SCREW, HEX FLANGE M8-1.25 X 20MM GR10.9	10	
8@#	42352	NUT, HEX, SERRATED-FLANGE, M6-1.0	4	
9@#	45097	MOUNT, COOLANT MANIFOLD	2	
10@#	45131	MANIFOLD .5 PORT HEADER	2	
11@#	32712	FITTING, 90 8MORFS X 12MOR	2	
12	43438	PUMP, ELECTRIC DRIVE COOLANT	1	
13	45339	BRACKET, WATER PUMP MOUNT	1	
14	42343	SCREW, HFS, ZP, M8-1.25 X 20, CLASS 8.8	1	
15	59017	CLAMP, CUSHIONED LOOP, 2.16" DIA X .53	1	
16	23802	NUT, HEX FLANGE M8-1.25 SERRATED	1	
17#	32343	FITTING, STR -12MORFS X -12MOR	1	
18	43966	RH DIST. BLOCK, ELEC. DRIVE COOLING.....	1	INCLUDES ITEMS W/#

Go to Discount-Equipment.com to order your parts

FLUID DRAIN VALVES ASSY.

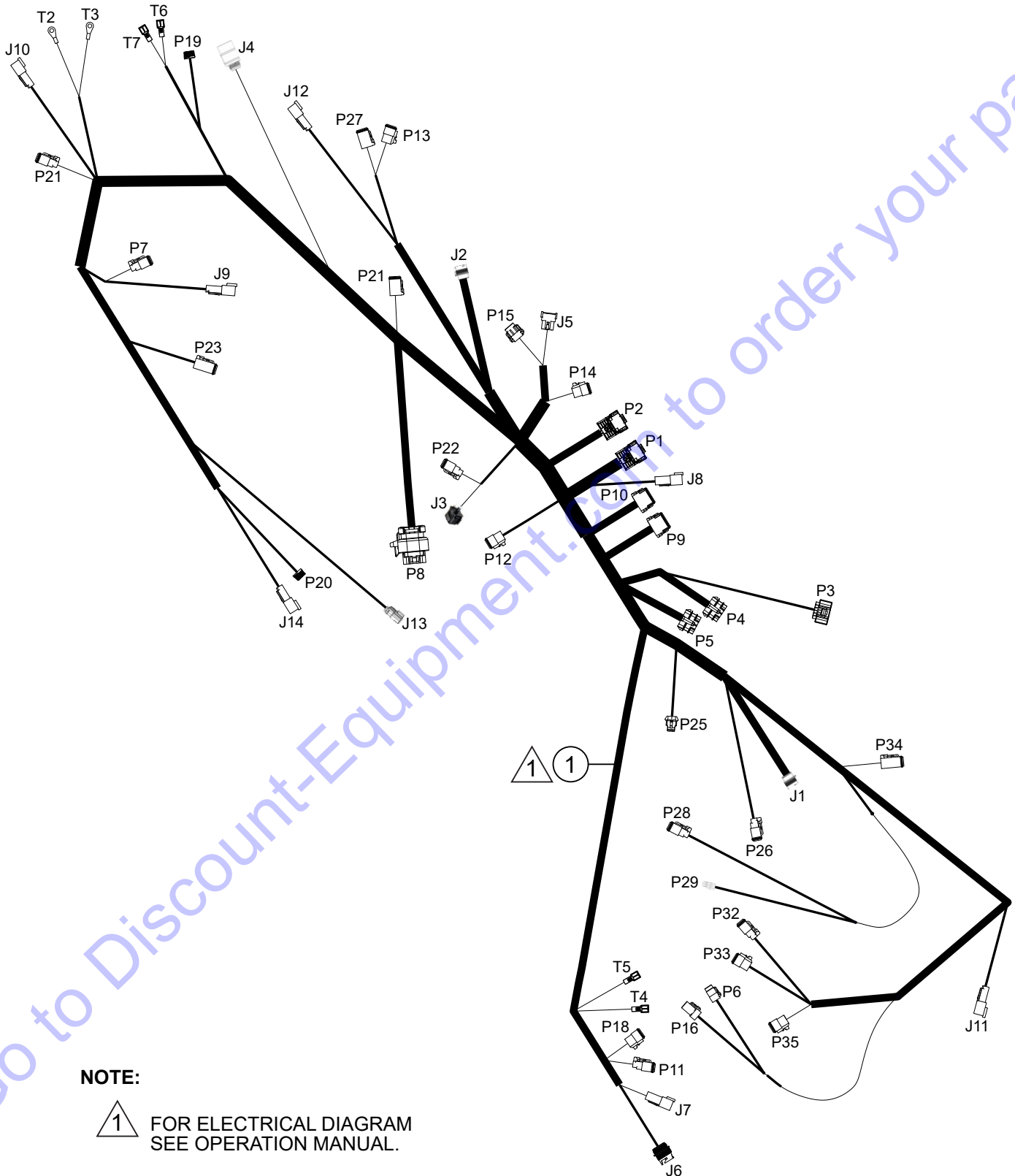


FLUID DRAIN VALVES ASSY.

<u>NO.</u>	<u>PART NO.</u>	<u>PART NAME</u>	<u>QTY.</u>	<u>REMARKS</u>
1	45499	ADAPTOR, M12-1.75 TO BARB OIL PAN	1	
2	15538	CLAMP, HOSE WORM #6	3	
3	35026	CLAMP, LOOM CUSHIONED #18	1	
4	42340	SCREW, HHFS M10-1.5 X 35 GR 8.8	1	
5	60169	HOSE, OIL DRAIN, .625 ID, 300F (3.7 FT.).....	4	1 PC = 1 FT
6	60125-12	PROTECTOR, SPIRAL WRAP, HI-TEMP, 0.83 I.D. (1 FT.)	1	1 PC = 1 FT
7	42640	ADAPTOR, M18-1.5 FEMALE TO 5/8 BARB	2	
8	42641	TAB, OIL DRAIN MOUNT	2	
9	42496	RIVNUT FASTENER, HALF HEX LONG FLNG M6 X 1	4	
10	22021	SCREW, HEX FLANGE M8-1.25 X 20MM GR10.9	1	
11	45332	FLUID DRAIN MOUNT	1	
12	42542	SCREW, HHFS M6-1.0 X 16	4	
13	42563	VALVE, OIL DRAIN 18MM	2	
14	10491	FITTING, CAP 3/8NPT HEX HEAD	2	
15	43502	FITTING, RUN TEE, 08 MFS 08 FFS 8 MFS	1	

Go to Discount-Equipment.com to order your parts

HARNESS ASSY. (MAIN)

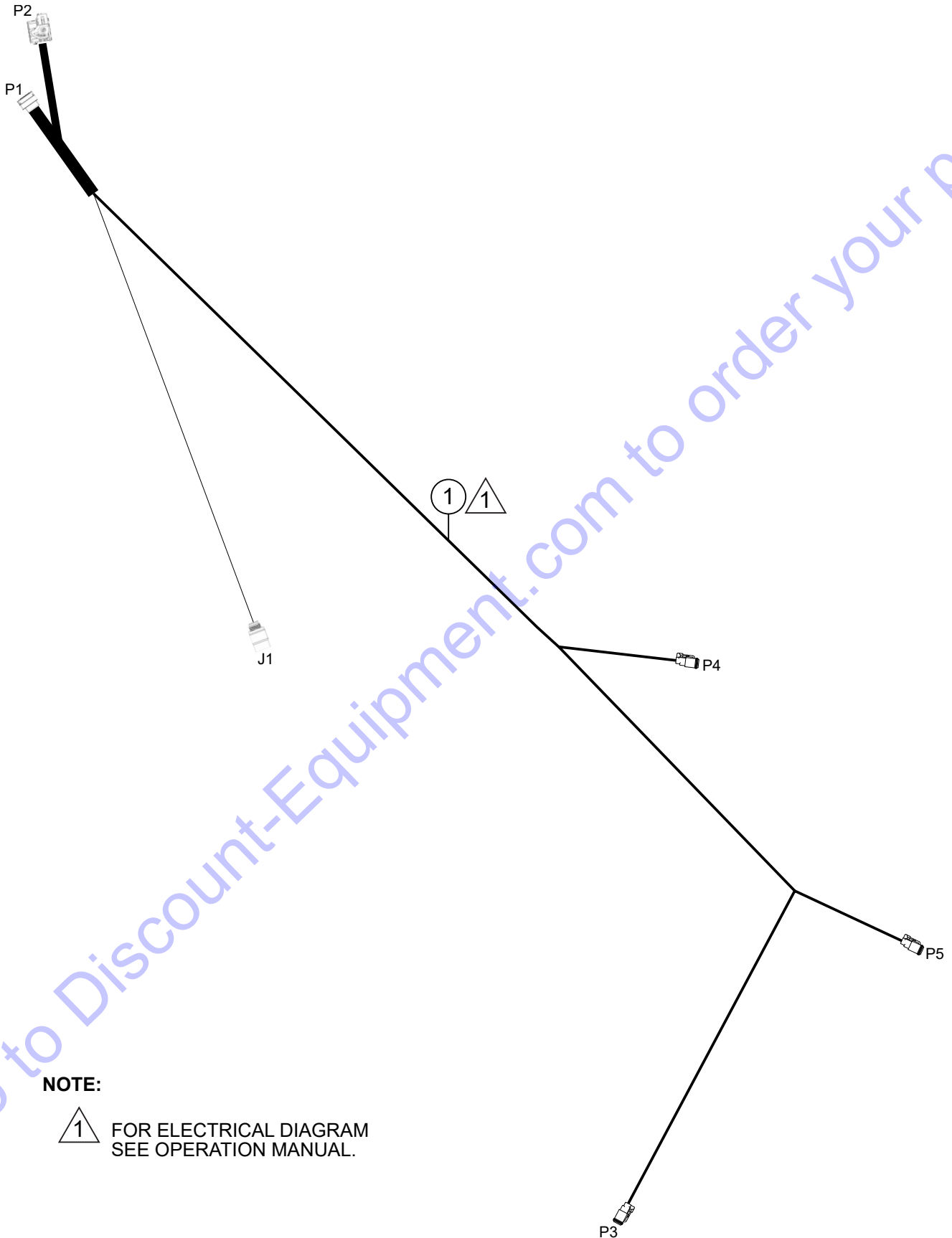


HARNES ASSY. (MAIN)

<u>NO.</u>	<u>PART NO.</u>	<u>PART NAME</u>	<u>QTY.</u>	<u>REMARKS</u>
1	45256	MAIN HARNES, PRX	1	

Go to Discount-Equipment.com to order your parts

HARNESS ASSY. (LEFT)



NOTE:

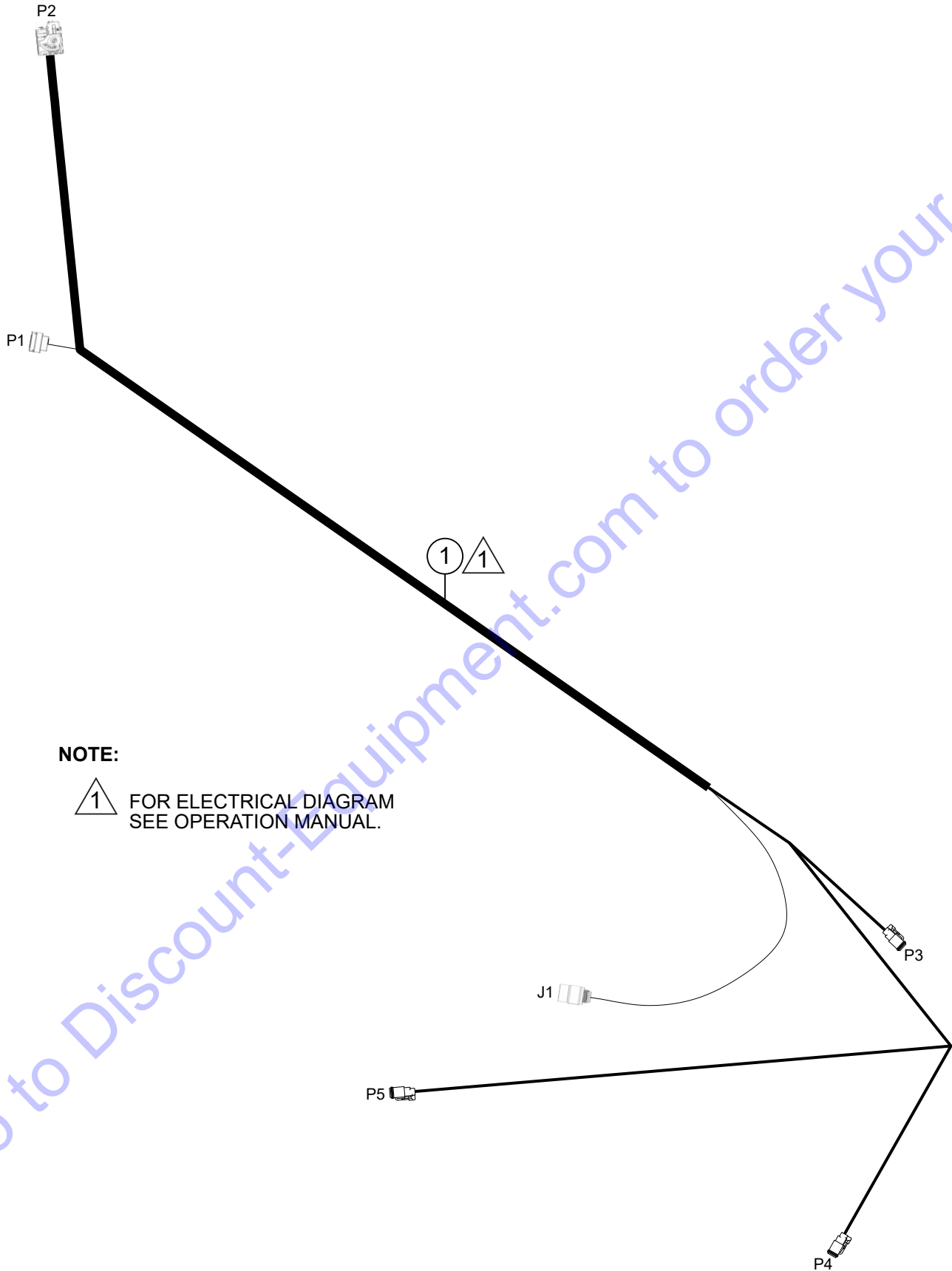
1 FOR ELECTRICAL DIAGRAM
SEE OPERATION MANUAL.

HARNESSES ASSY. (LEFT)

<u>NO.</u>	<u>PART NO.</u>	<u>PART NAME</u>	<u>QTY.</u>	<u>REMARKS</u>
1	45258	HARNESSES, LEFT, PRX	1	

Go to Discount-Equipment.com to order your parts

HARNESS ASSY. (RIGHT)



NOTE:

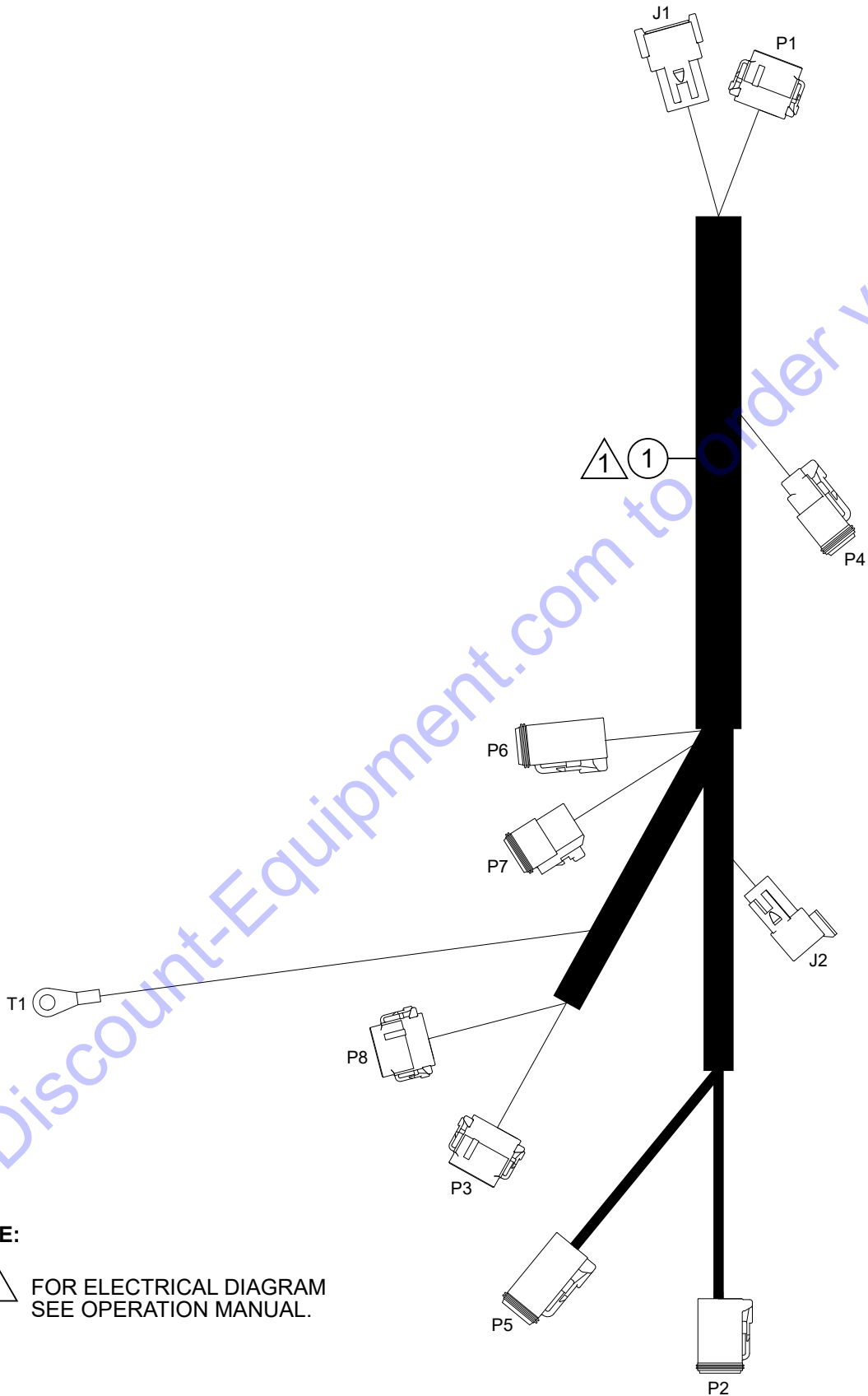
1 FOR ELECTRICAL DIAGRAM
SEE OPERATION MANUAL.

HARNES ASSY. (RIGHT)

<u>NO.</u>	<u>PART NO.</u>	<u>PART NAME</u>	<u>QTY.</u>	<u>REMARKS</u>
1	45257	HARNES, RIGHT, PRX	1	

Go to Discount-Equipment.com to order your parts

HARNESS ASSY. (CONSOLE)



NOTE:



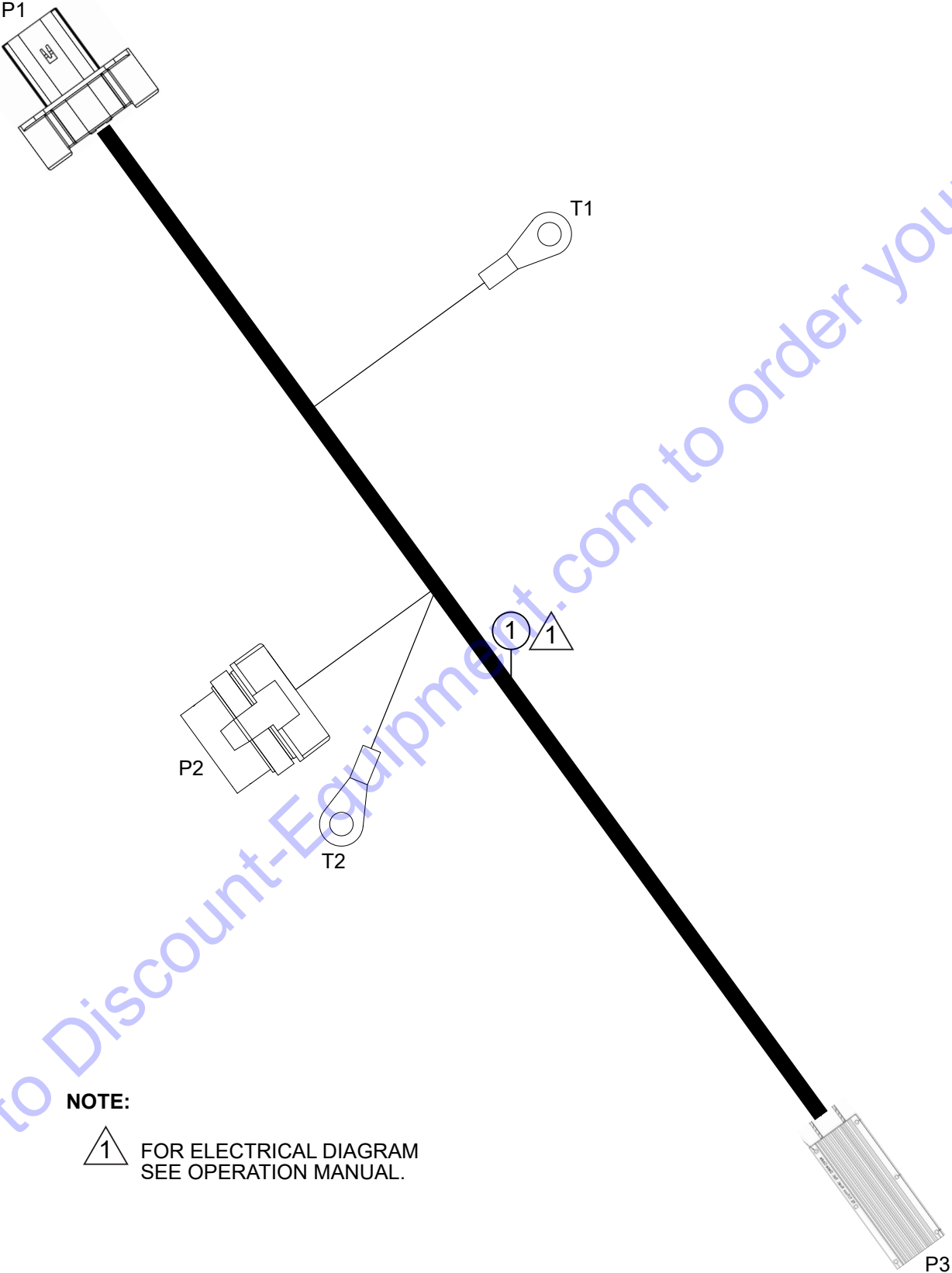
FOR ELECTRICAL DIAGRAM
SEE OPERATION MANUAL.

HARNESS ASSY. (CONSOLE)

<u>NO.</u>	<u>PART NO.</u>	<u>PART NAME</u>	<u>QTY.</u>	<u>REMARKS</u>
1	45257	HARNESS, RIGHT, PRX	1	

Go to Discount-Equipment.com to order your parts

HARNESS ASSY. (ENERGY STORAGE BANK)

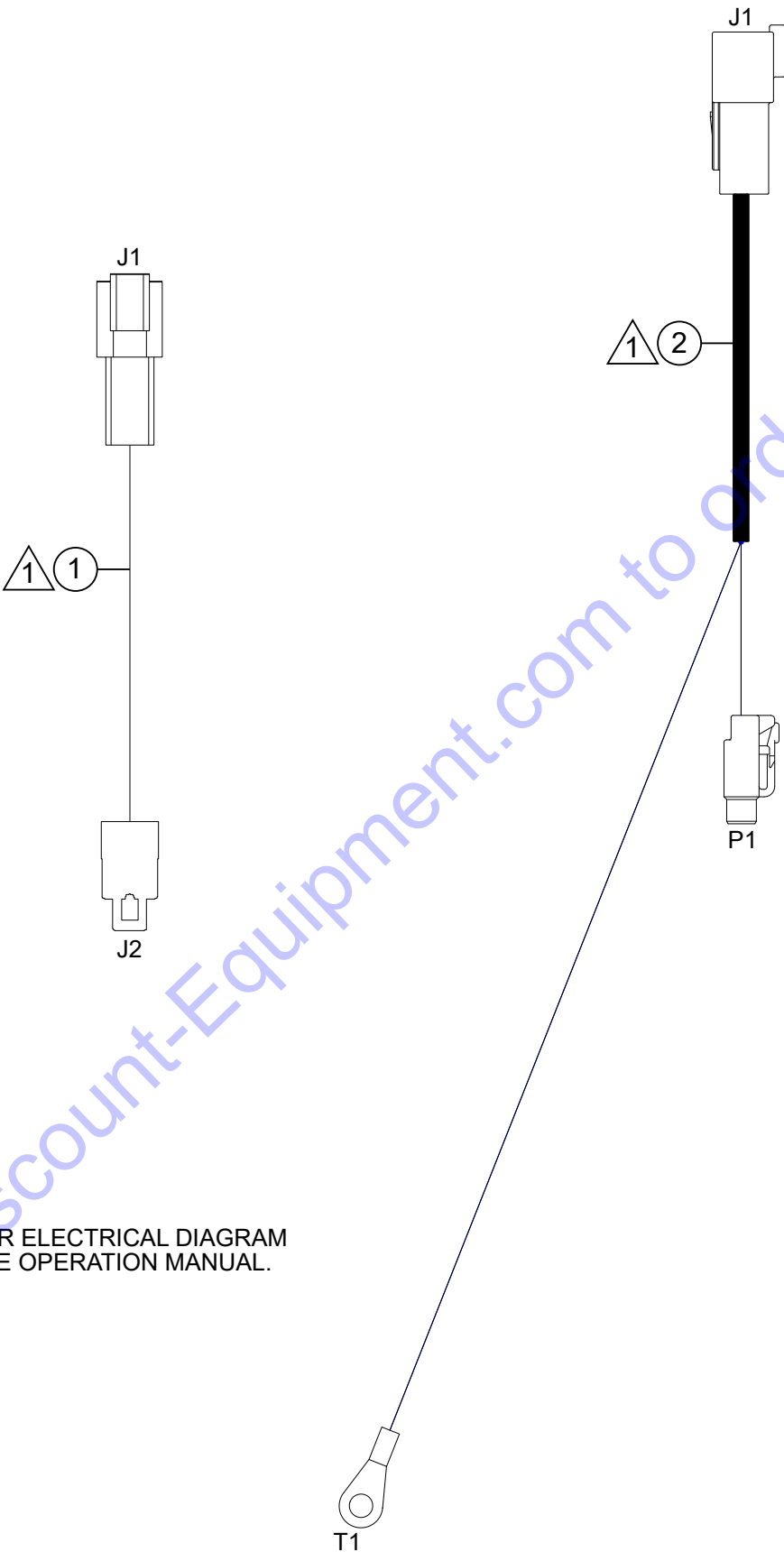


HARNES ASSY. (ENERGY STORAGE BANK)

<u>NO.</u>	<u>PART NO.</u>	<u>PART NAME</u>	<u>QTY.</u>	<u>REMARKS</u>
1	45309	HARNES, CAP BOX	1	

Go to Discount-Equipment.com to order your parts

HARNESS ASSY. (SEAT SWITCH AND FUEL TANK)



NOTE:

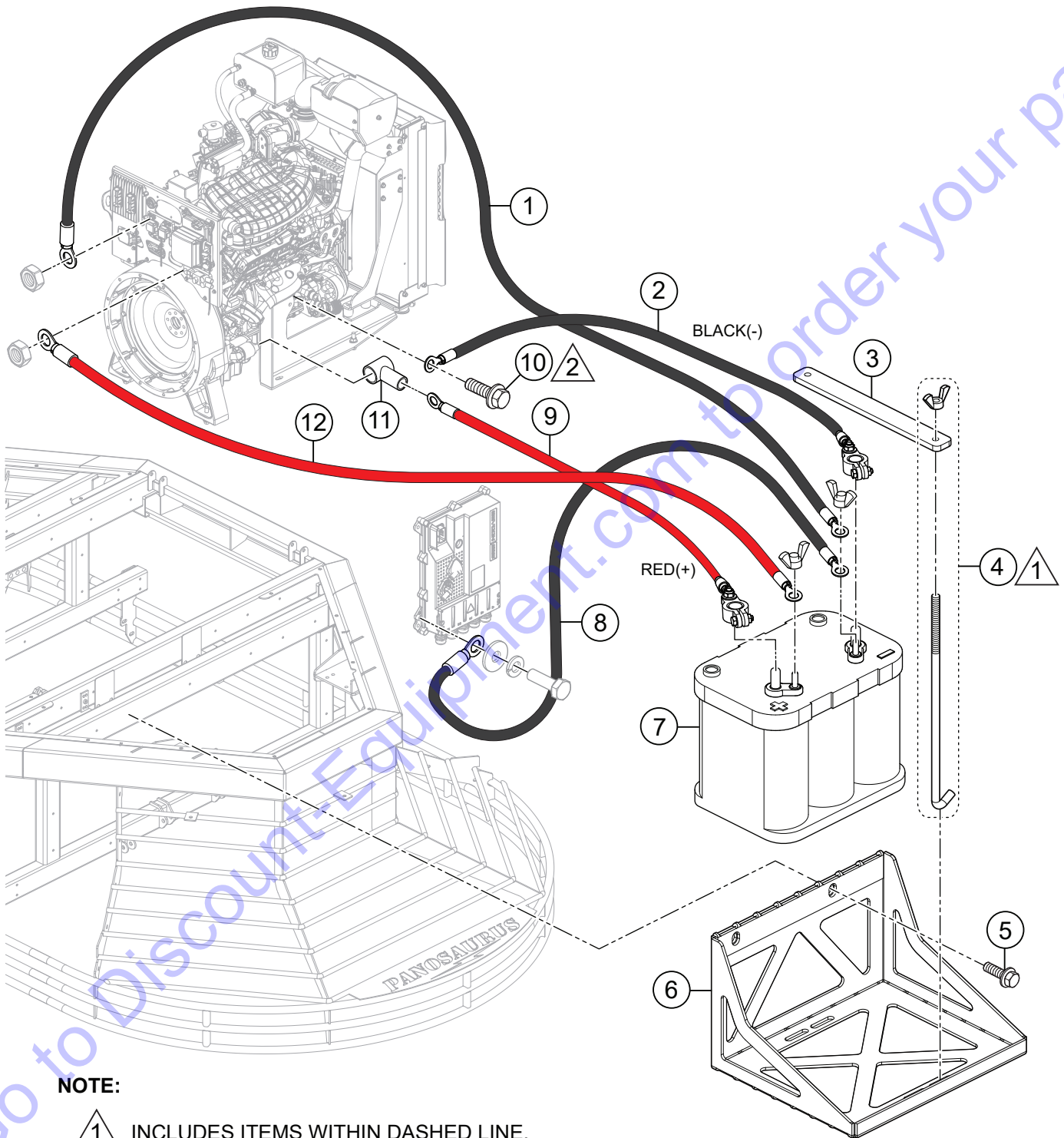
 FOR ELECTRICAL DIAGRAM
SEE OPERATION MANUAL.

HARNES ASSY. (SEAT SWITCH AND FUEL TANK)



<u>NO.</u>	<u>PART NO.</u>	<u>PART NAME</u>	<u>QTY.</u>	<u>REMARKS</u>
1	22796	HARNES, SEAT SW	1	
2	45354	HARNES, FUEL TANK, PRX	1	

Go to Discount-Equipment.com to order your parts

BATTERY ASSY.



NOTE:

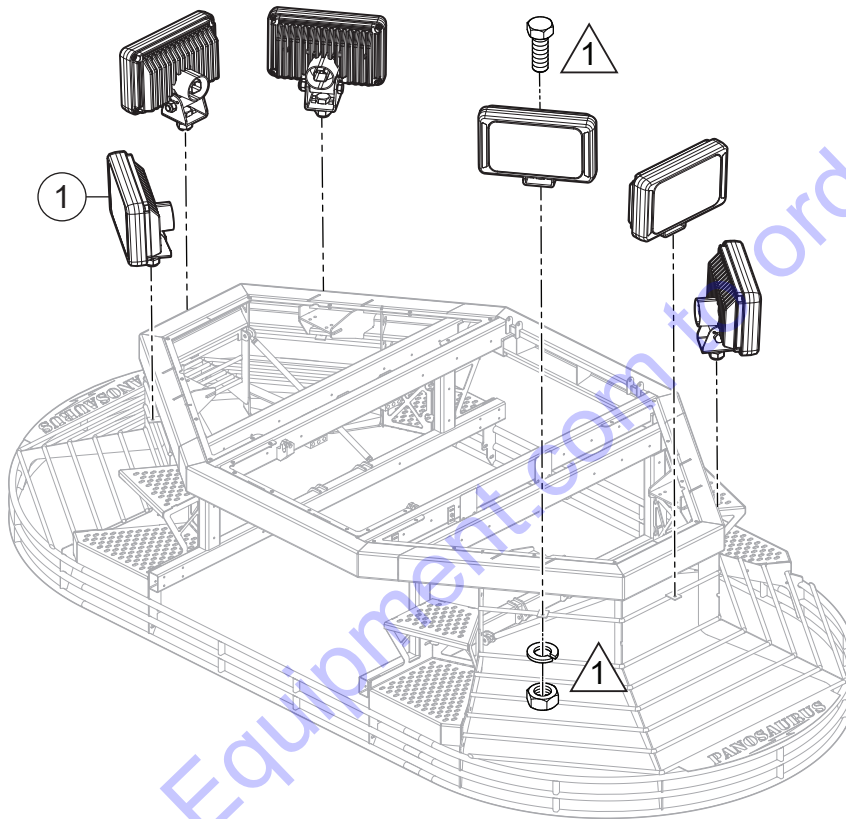
-  INCLUDES ITEMS WITHIN DASHED LINE.
-  TORQUE TO 3.69 LBF·FT +/- 10%.

BATTERY ASSY.

<u>NO.</u>	<u>PART NO.</u>	<u>PART NAME</u>	<u>QTY.</u>	<u>REMARKS</u>
1	42902	CABLE, NEG. BAT., 6GA, 44 IN.	1	
2	45261	CABLE, NEG. BAT., BK. 37", 1 GA	1	
3	43785	BATTERY STRAP 7.25"	1	
4	20194	KIT, BATTERY J-BOLTS, 8"	1	
5	15226	SCREW, HFS, M8-1.25 X 25	2	
6	43781	BATTERY MOUNT	1	
7	404006	BATTERY, SEALED, GROUP 34M STARTING	1	
8	45306	CABLE, NEG. BAT., BK. 31", 6 GA	1	
9	43366	CABLE, BATTERY, POSITIVE	1	
10	42343	SCREW, HFS, ZP, M8-1.25 X 20, CLASS 8.8	1	
11	2762	BOOT, TERMINAL	1	
12	45260	CABLE, POS. BAT., RD. 38", 6 GA	1	

Go to Discount-Equipment.com to order your parts

LIGHTS ASSY.



NOTE:

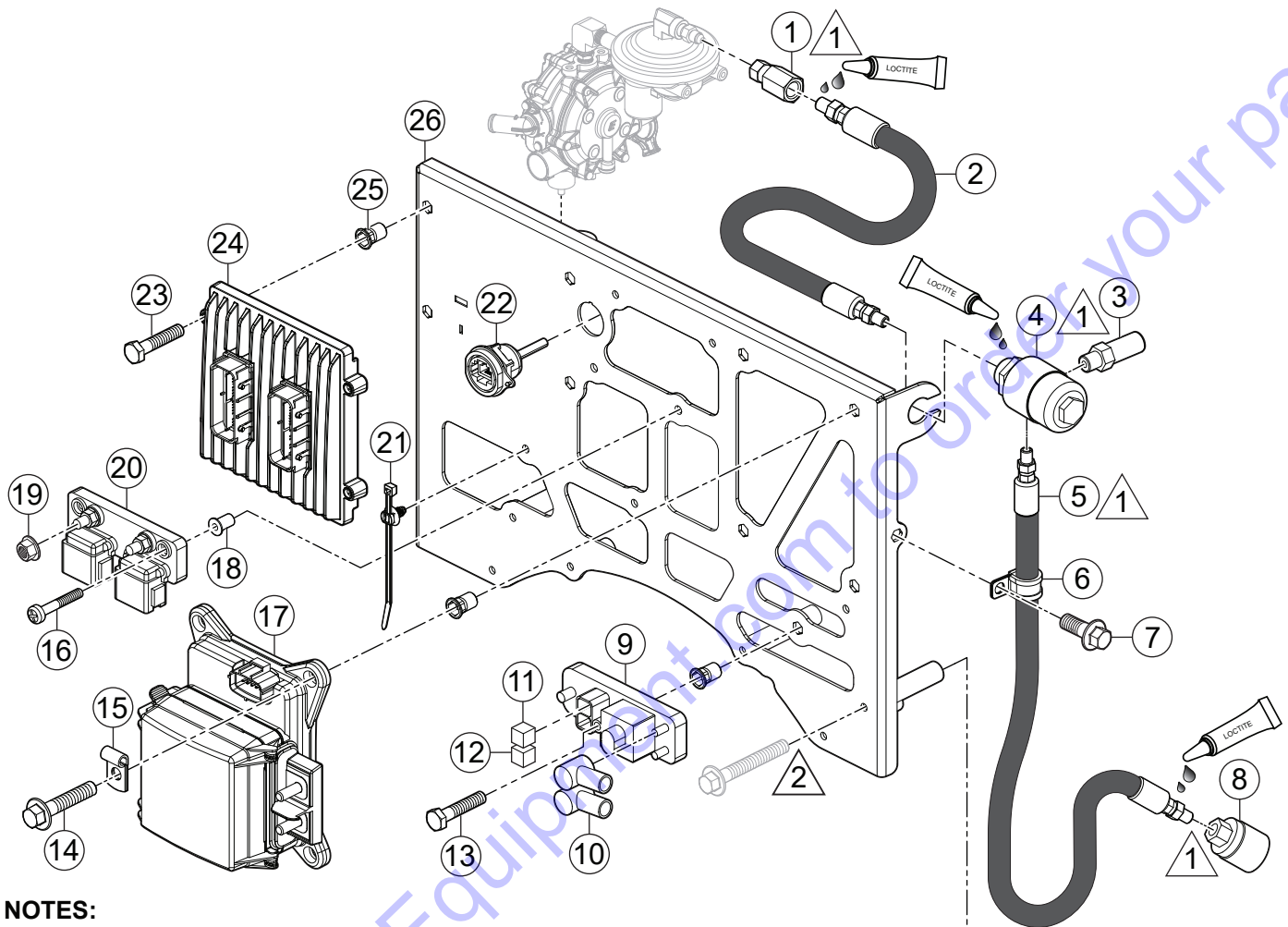
1 MOUNTING HARDWARE IS INCLUDED WITH ITEM #1.

LIGHTS ASSY.

<u>NO.</u>	<u>PART NO.</u>	<u>PART NAME</u>	<u>QTY.</u>	<u>REMARKS</u>
1	42263	LIGHT, LED 20W 6 EMITTERS 60°	6	

Go to Discount-Equipment.com to order your parts

ELECTRICAL PANEL ASSY.



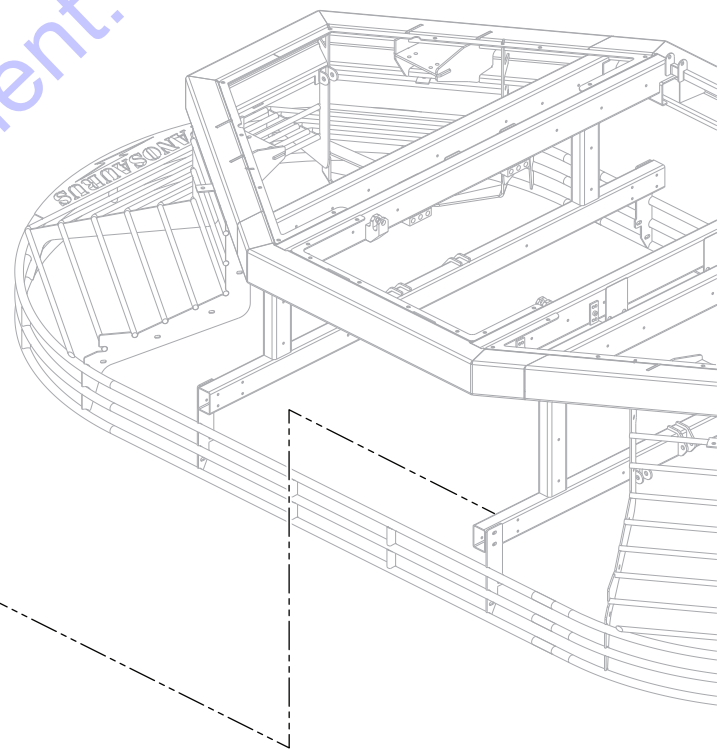
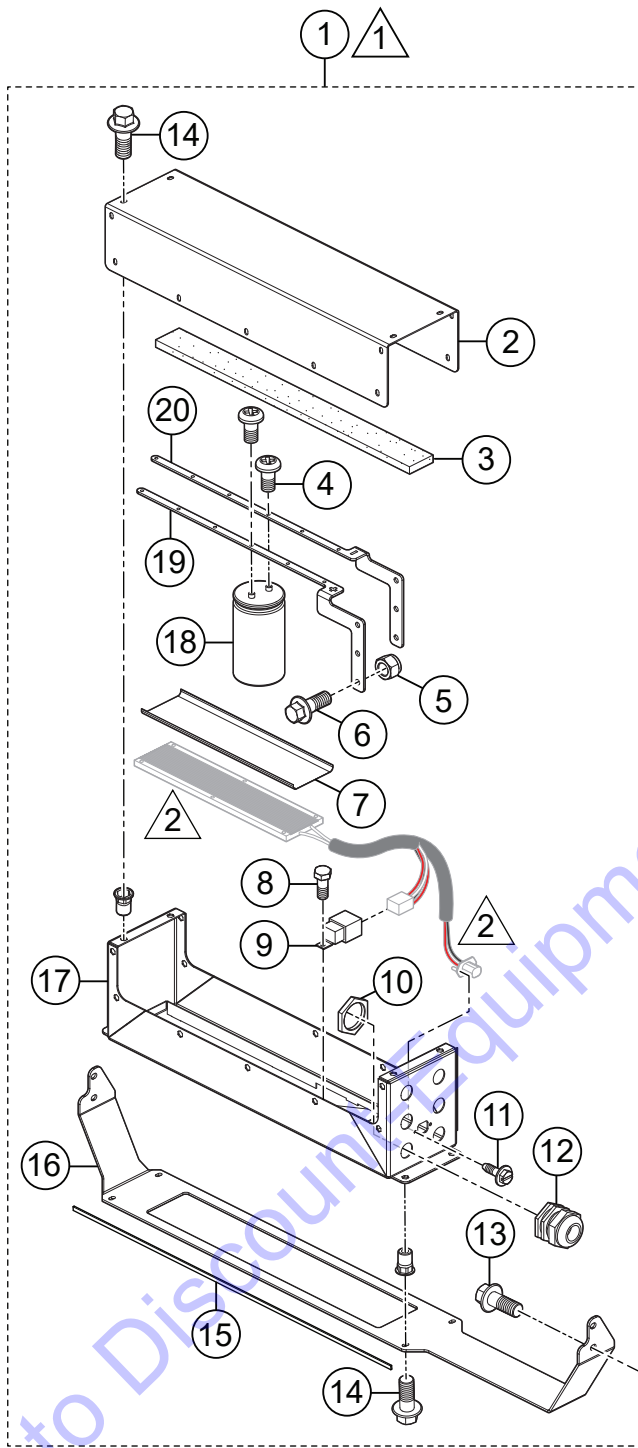
NOTES:

- 1 APPLY LOCTITE WHITE 567.
- 2 REUSE FASTENERS SUPPLIED WITH ENGINE.

ELECTRICAL PANEL ASSY.

<u>NO.</u>	<u>PART NO.</u>	<u>PART NAME</u>	<u>QTY.</u>	<u>REMARKS</u>
1	32832	FITTING, STR -4FJ X -4FP	1	
2	32826	HOSE ASSY., 1/4" ID LPG X 20.50", 2X 1/4MP	1	
3	42200	VALVE, PRESSURE RELIEF-LP	1	
4	42322	FILTER, PROPANE IN-LINE	1	
5	43047	HOSE ASSY., 1/4" ID LPG X 44.5", 2X 1/4MP	1	
6	35025	CLAMP, LOOM CUSHIONED #12	1	
7	42542	SCREW, HHFS M6-1.0 X 16	1	
8	30007	CONNECTOR, FORKLIFT PROPANE TANK, FEMALE	1	
9	42140	MODULE, POWER RELAY	1	
10	2762	BOOT, TERMINAL	2	
11	22725-600	FUSE, 60 AMP J CASE	1	
12	22725-300	FUSE, 30 AMP J CASE	1	
13	42339	SCREW, HHC, M6-1.0 X 60MM, CLASS 8.8, ZP	1	
14	42347	SCREW, HFS, ZP, M6-1.0 X 30, CLASS 8.8	4	
15	8128	CLAMP, HOSE SUPPORT 5/16"	2	
16	35299	SCREW, PHP M4-0.7 X 25MM	2	
17	45357	MVEC POWER DISTRIBUTION MODULE (CAN)	1	
18	49163	NUT, BLIND M4-1.0 X .020-.08 GRIP	2	
19	49071	NUT, HFS, 5/16-18	2	
20	42713	BUSS BAR, DEUTSCH STYLE, 24 PIN	1	
21	42315	TIE, CABLE ASSY., FIR TREE MOUNT AND CABLE	3	
22	45274	PORT, ETHERNET COMMUNICATION	1	
23	10790	SCREW, HHC M6-1.0 X 30MM PLT	4	
24	43411	CONTROLLER, PARKER MC43	1	
25	42496	NUT, BLIND, HEX, M6-1.0 X 0.7 - 4.2 GRIP	10	
26	45269	ELECTRICAL PANEL WELDMENT	1	

ENERGY STORAGE BANK ASSY.



NOTE:

1 **HIGH VOLTAGE!**
CONTACT MQ SERVICE DEPT. FOR ASSISTANCE.

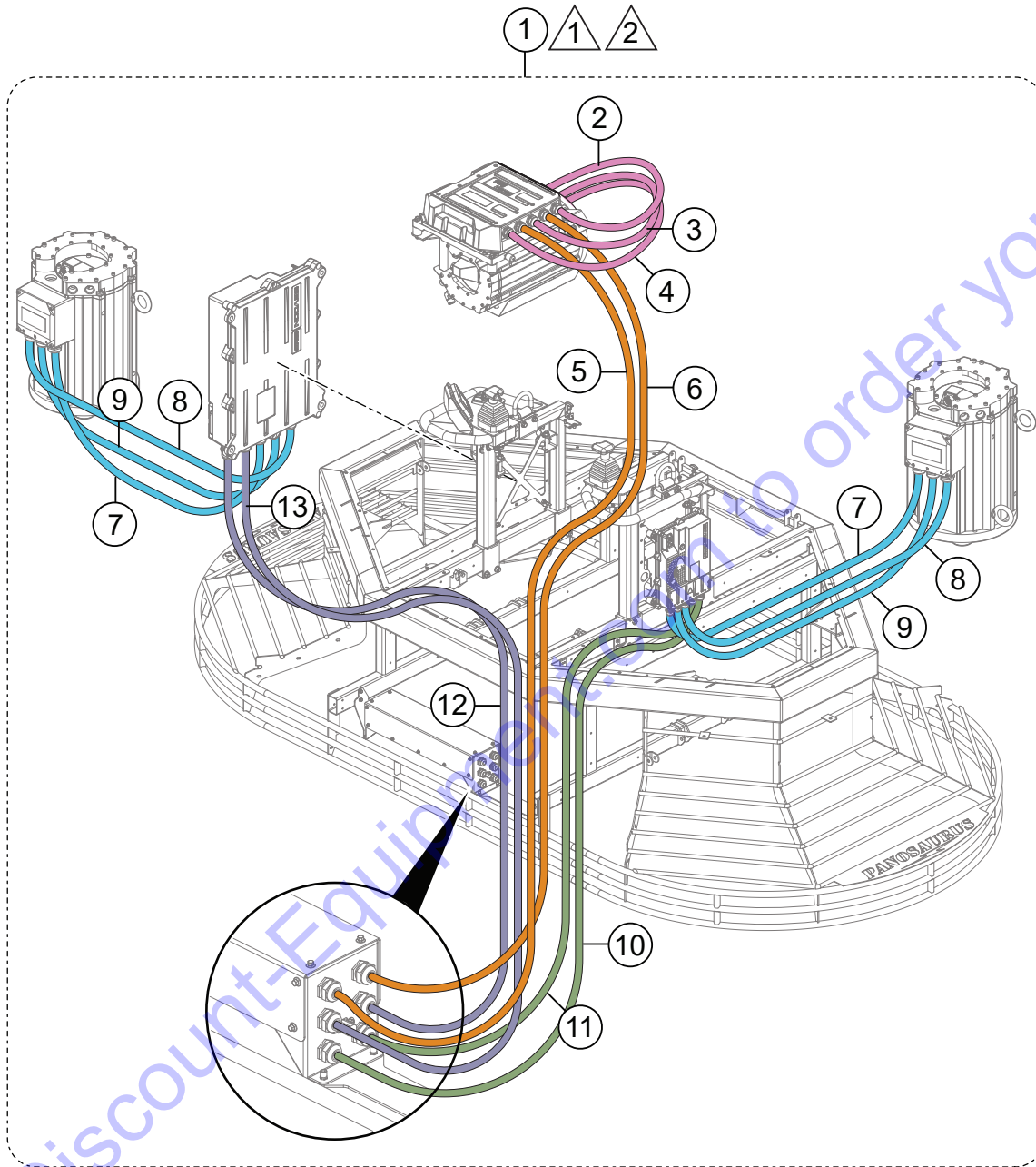
2 SEE HARNESS ASSY.

ENERGY STORAGE BANK ASSY.



<u>NO.</u>	<u>PART NO.</u>	<u>PART NAME</u>	<u>QTY.</u>	<u>REMARKS</u>
1	45145	BANK, ENERGY STORAGE	1	INCLUDES ITEMS W/@
2@	45147	LID, ENERGY STORAGE	1	
3@	60126	FOAM, 2.00" X 0.50" ADHESIVE EPDM (1.81 FT)	2	1 PC = 1 FT
4@	29046	SCREW, PHP 10-32 X 3/8"	12	
5@	42344	NUT, NYLOC, M8-1.25, CLASS 8.8	6	
6@	42342	SCREW, HHFS, M8-1.25 X 16 GR 8.8	6	
7@	60154	TAPE, 4" PTFE COATED GLASS CLOTH	1	
8@	29666	SCREW, HHC M6-1.0 X 10MM	1	
9@	12017	RELAY, KILL	1	
10@	45359	NUT, HEX JAM, M25-1.5	6	
11@	34308	SCREW, HHF SLOT, #10-32 X 5/8", TYPE F, ZP	2	
12@	43780	GLAND, GROUNDED M25 X 1.5 POWER CABLE	6	
13@	22021	SCREW, HEX FLANGE M8-1.25 X 20MM GR10.9	4	
14@	42542	SCREW, HHFS M6-1.0 X 16	22	
15@	60131	TAPE, NEOPRENE FOAM, 1/16 X 1 WIDE (5.58 FT).....	6	1 PC = 1 FT
16@	45142	MOUNT, ENERGY STORAGE	1	
17@	45151	CAP. BANK HOUSING	1	
18@	45149	CAPACITOR, ELECTROLYTIC, 4700UF 450VDC	6	
19@	45148-2	BUSBAR, CAPACITOR BANK, LEFT	1	
20@	45148-1	BUSBAR, CAPACITOR BANK, RIGHT	1	

Go to Discount-Equipment.com to order your parts

HIGH VOLTAGE POWER CABLES ASSY.



NOTES:

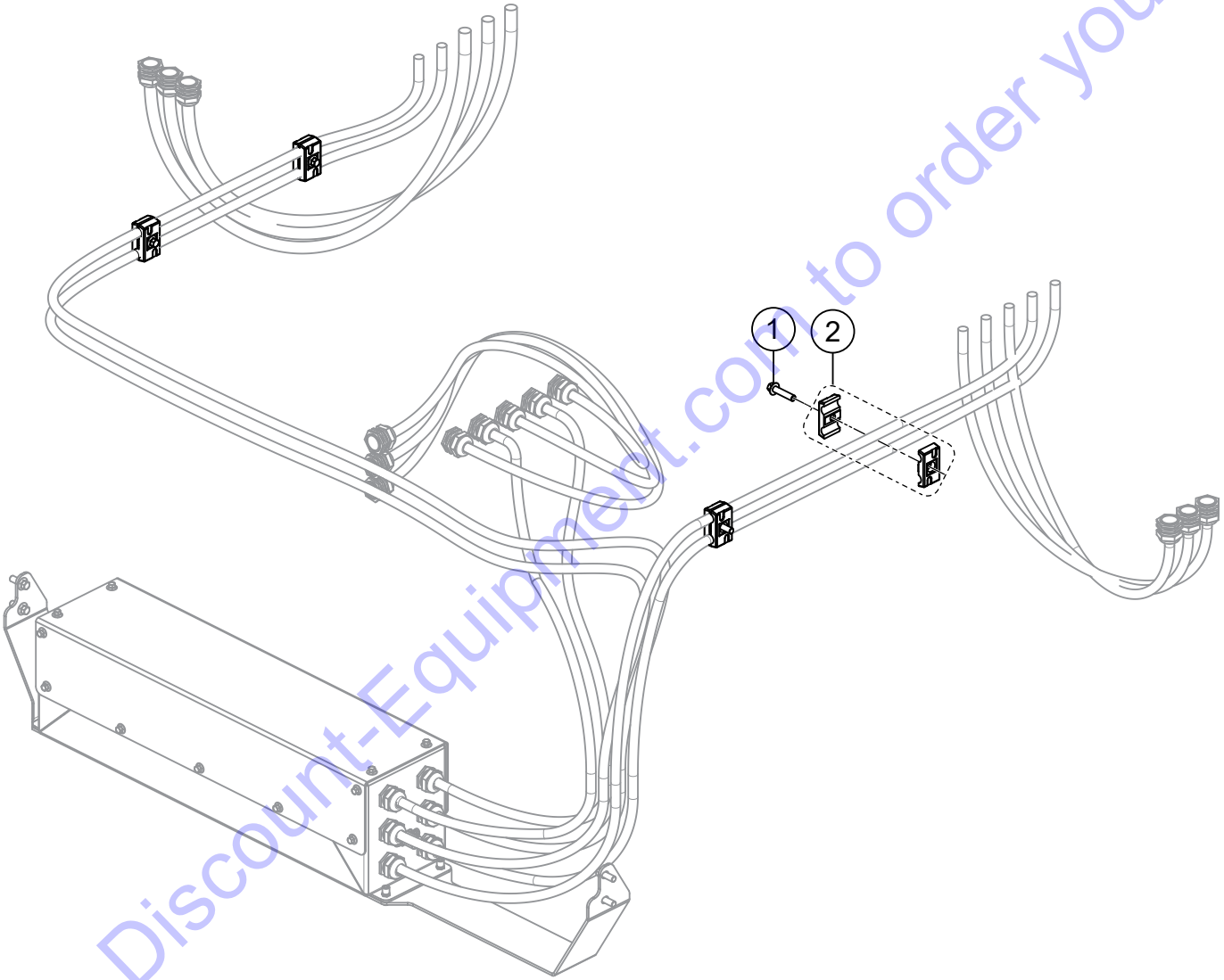
-  CABLE COLORS SHOWN FOR CLARITY ONLY.
-  FOR ELECTRICAL SYSTEM DIAGRAM SEE OPERATION MANUAL.

HIGH VOLTAGE POWER CABLES ASSY.

<u>NO.</u>	<u>PART NO.</u>	<u>PART NAME</u>	<u>QTY.</u>	<u>REMARKS</u>
1	45371	CABLE KIT, PRX HIGH VOLTAGE.....	1.....	INCLUDES ITEMS W/@
2@	45313	CABLE, M3 TO C GEN	1	
3@	45312	CABLE, M2 TO B GEN	1	
4@	45311	CABLE, M1 TO A GEN	1	
5@	45314	CABLE, S8 POS TO CAP BOX POS	1	
6@	45350	CABLE, NEG	1	
7@	45353	CABLE, M3 TO PHASE 3 RIGHT	2	
8@	45351	CABLE, M1 TO PHASE1 RIGHT	2	
9@	45352	CABLE, M2 TO PHASE 2 RIGHT	2	
10@	45308	CABLE, LEFT S9 POS TO CAP BOX POS	1	
11@	45316	CABLE, LEFT S9 NEG TO CAP BOX NEG	1	
12@	45310	CABLE, RIGHT S9 NEG TO CAP BOX NEG	1	
13@	45307	CABLE, RIGHT S9 POS TO CAP BOX POS	1	

Go to Discount-Equipment.com to order your parts

HIGH VOLTAGE CABLE CLAMPS ASSY.

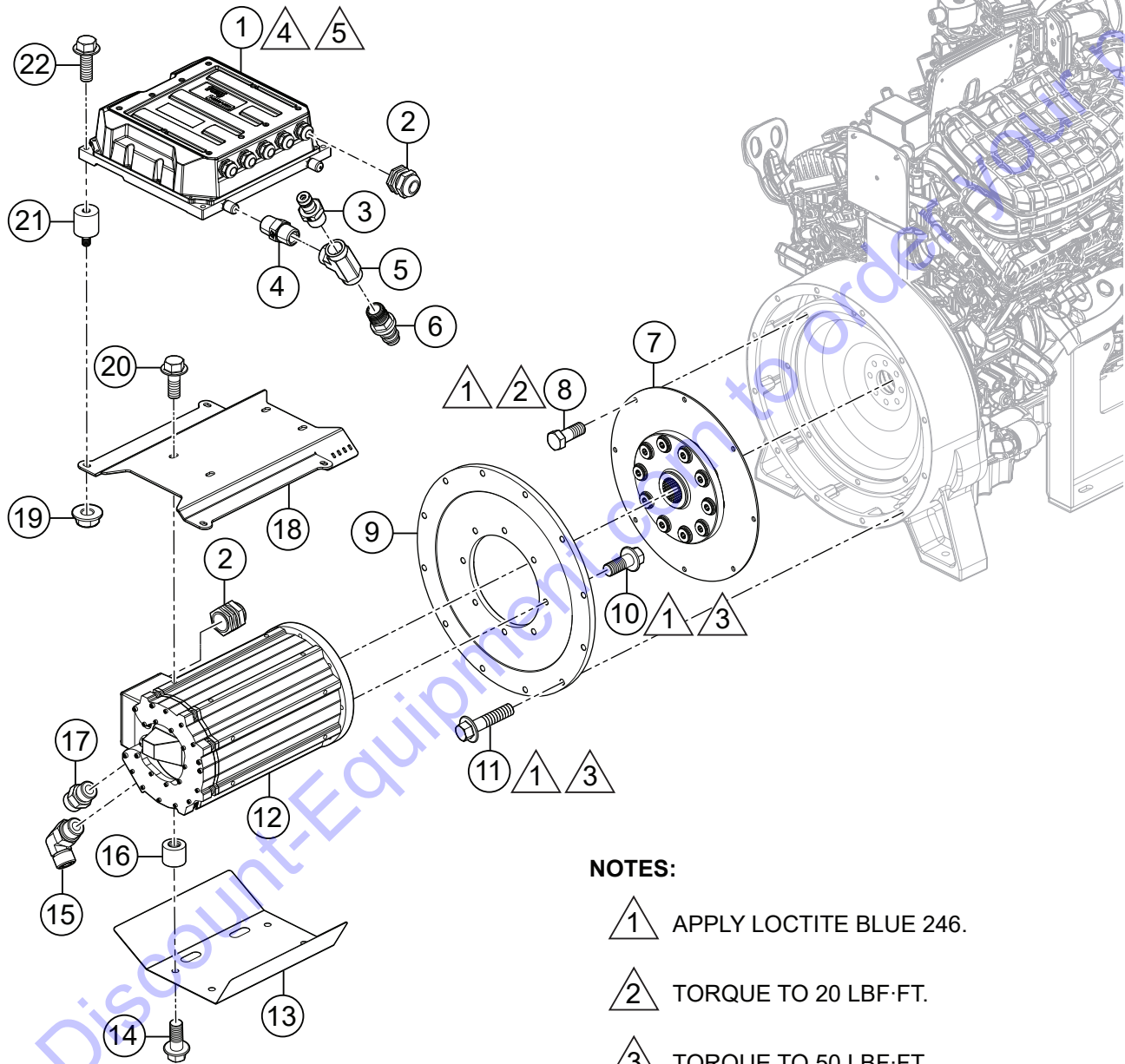


HIGH VOLTAGE CABLE CLAMPS ASSY.






<u>NO.</u>	<u>PART NO.</u>	<u>PART NAME</u>	<u>QTY.</u>	<u>REMARKS</u>
1	42345	SCREW, HFS, ZP, M8-1.25 X 35, CLASS 8.8	4	
2	37420	1/2" CLAMP, BEHRINGER T2050-PP	4	

Go to Discount-Equipment.com to order your parts

GENERATOR ASSY.



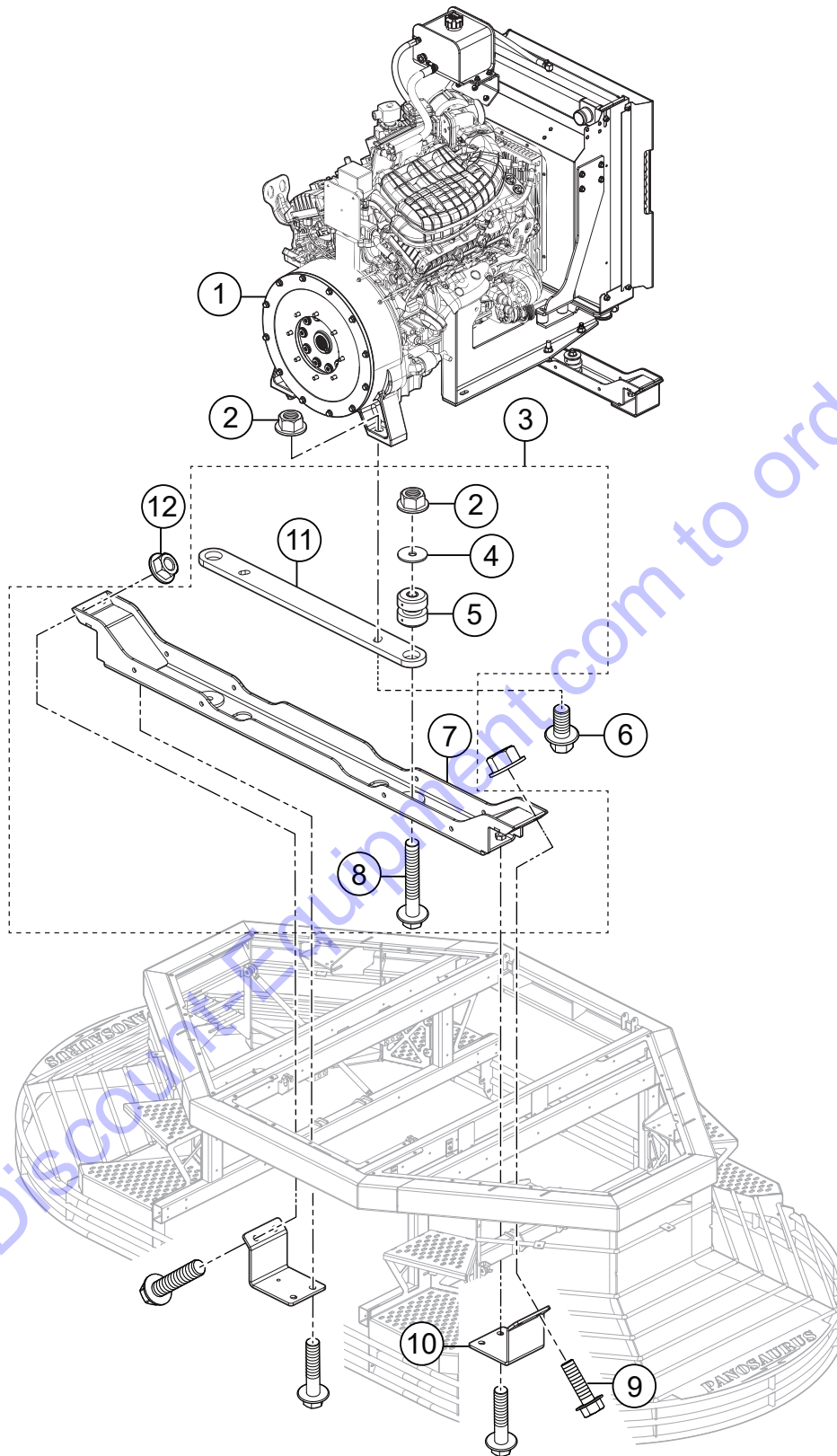
NOTES:

-  1 APPLY LOCTITE BLUE 246.
-  2 TORQUE TO 20 LBF-FT.
-  3 TORQUE TO 50 LBF-FT.
-  4 TORQUE TO 13 LBF-IN
WHEN REINSTALLING COVER.
-  5 DO NOT USE POWER TOOLS WHEN
REMOVING/INSTALLING COVER.

GENERATOR ASSY.

<u>NO.</u>	<u>PART NO.</u>	<u>PART NAME</u>	<u>QTY.</u>	<u>REMARKS</u>
1	43318	RECTIFIER, SEVCON 8	1	
2	43780	GLAND, GROUNDED M25X1.5 POWER CABLE	8	
3	43974	FITTING, QD 3/8 MP DIAGN. PD363	1	
4	43914	FITTING, STR 3/8 MP - 3/8 MP	1	
5	366735	FITTING, TEE 3/8FP - 3/8FP - 3/8FP	1	
6	369007	FITTING, BRASS 8 PUSH-ON - 3/8MP	1	
7	45026	ADAPTOR, ENGINE - GENERATOR	1	
8	0205	SCREW, HHC 3/8-16 X 1.0	8	
9	45026	ADAPTOR, ENGINE - GENERATOR	1	
10	32976	SCREW, HFS M10-1.5 X 25 CLASS 10.9	8	
11	42340	SCREW, HHFS M10-1.5 X 35 GR 8.8	8	
12	45276	GENERATOR, GVM 210-200	1	
13	43912	GENERATOR HEAT SHIELD	1	
14	45632	SCREW, HFS M10-1.5 X 20 CLASS 8.8	4	
15	32718	FITTING, 90 8MORFS X 8MOR	1	
16	45634	SPACER, STEEL .687OD X .120W X .443LG	4	
17	32425	FITTING, STR 8MORFS X 8MOR	1	
18	43766	MOUNT, RECTIFIER	1	
19	23802	NUT, HEX FLANGE M8-1.25 SERRATED	4	
20	45715	SCREW, HFS, M10-1.5 X 16, CLASS 8.8	4	
21	43928	ISOLATOR, 1" DIAM. X 1" M8 STUD AND INSE	4	
22	23792	SCREW, HHFS M8-1.25X 30	4	

ENGINE MOUNTING ASSY.

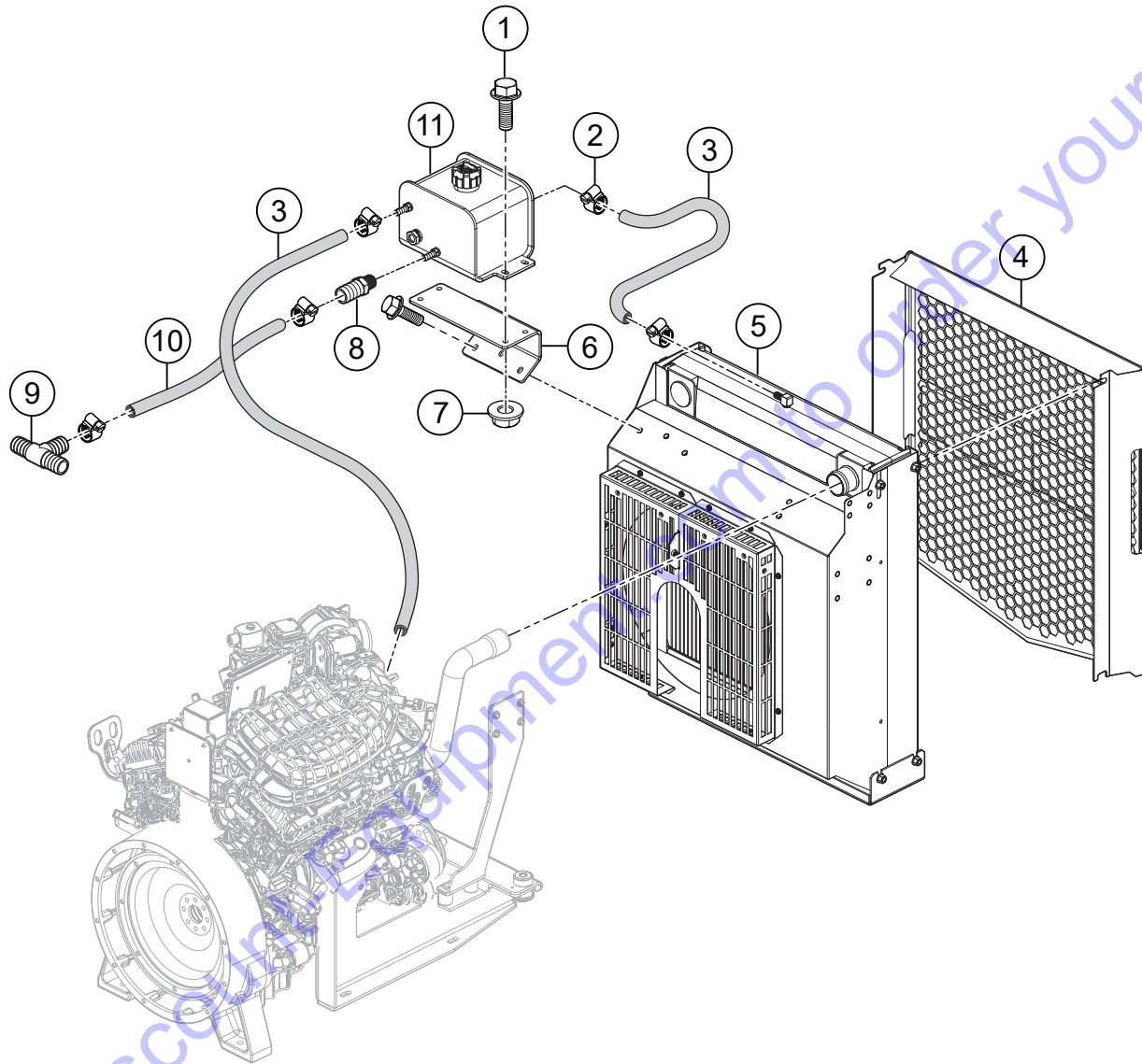


ENGINE MOUNTING ASSY.

<u>NO.</u>	<u>PART NO.</u>	<u>PART NAME</u>	<u>QTY.</u>	<u>REMARKS</u>
1	43838	ENGINE, FORD CSG-637	1	
2@	9161	NUT, HEX FLANGED M12-1.75 GR8	8	
3	43969	ENGINE MOUNTING RAIL ASSY.....	2	INCLUDES ITEMS W/@
4@	20743	WASHER, ISO SNUB KROFUND DYN 148099-18	4	
5@	20742	ISOLATOR, RB2 RING/BUSHING	4	
6	45633	SCREW, HFS, M12-1.75 X 50, CLASS 8.8	4	
7@	43856	ENGINE MOUNT WELDMENT, CLAMP ON	2	
8@	9176	SCREW, HHF M12-1.75 X 80MM GR10.9 PATCH	4	
9	34316	SCREW, HHF M10-1.25 X 35	16	
10	43336	CLAMP, GEN 4 DF ENGINE RAIL	4	
11@	43863	ENGINE MOUNT ADAPTER	2	
12	42353	NUT, HEX, SERRATED-FLANGE, M10-1.5	8	

Go to Discount-Equipment.com to order your parts

RADIATOR ASSY.

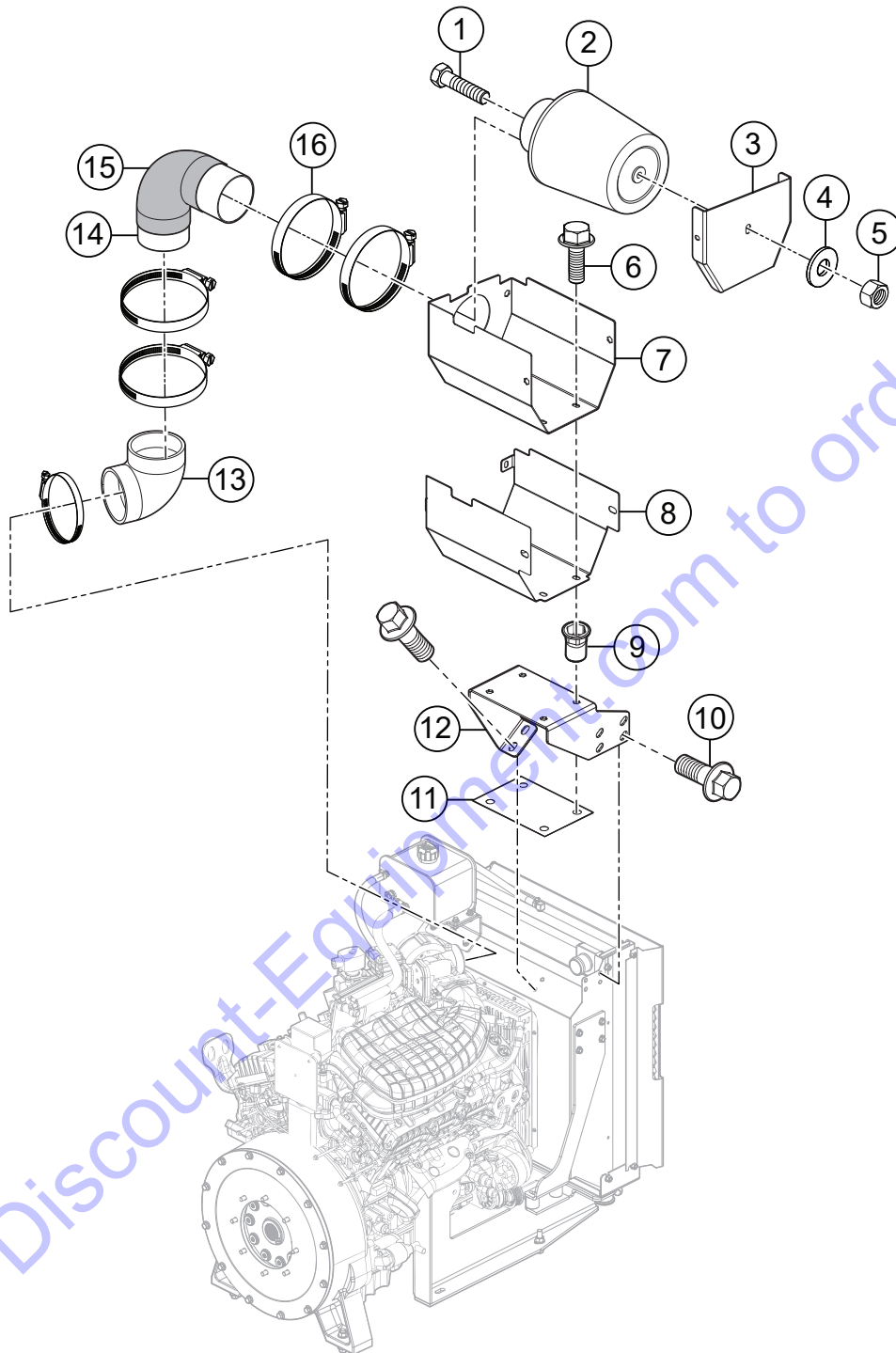


RADIATOR ASSY.

<u>NO.</u>	<u>PART NO.</u>	<u>PART NAME</u>	<u>QTY.</u>	<u>REMARKS</u>
1	42343	SCREW, HFS, ZP, M8-1.25 X 20, CLASS 8.8	7	
2	15538	CLAMP, HOSE WORM # 6	4	
3	30025	HOSE, HOT WATER, .375 DIA, 200 PSI (2.57 FT)	3.....	1 PC = 1 FT
4	45273	SHROUD, RECIRCULATION	1	
5	45621	RADIATOR	1	
6	45622	BRACKET, DEGAS TANK	1	
7	23802	NUT, HEX FLANGE M8-1.25 SERRATED	4	
8	45635	FITTING, STR, -04 MP X -10 BARB, BRASS	1	
9	45636	FITTING, TEE, -10 BARB, BRASS	1	
10	60019	HOSE, COOLANT, 5/8" ID, SAE20R3 (1.75 FT)	2.....	1 PC = 1 FT
11	45623	DEGAS TANK, AL	1	

Go to Discount-Equipment.com to order your parts

AIR INTAKE ASSY.

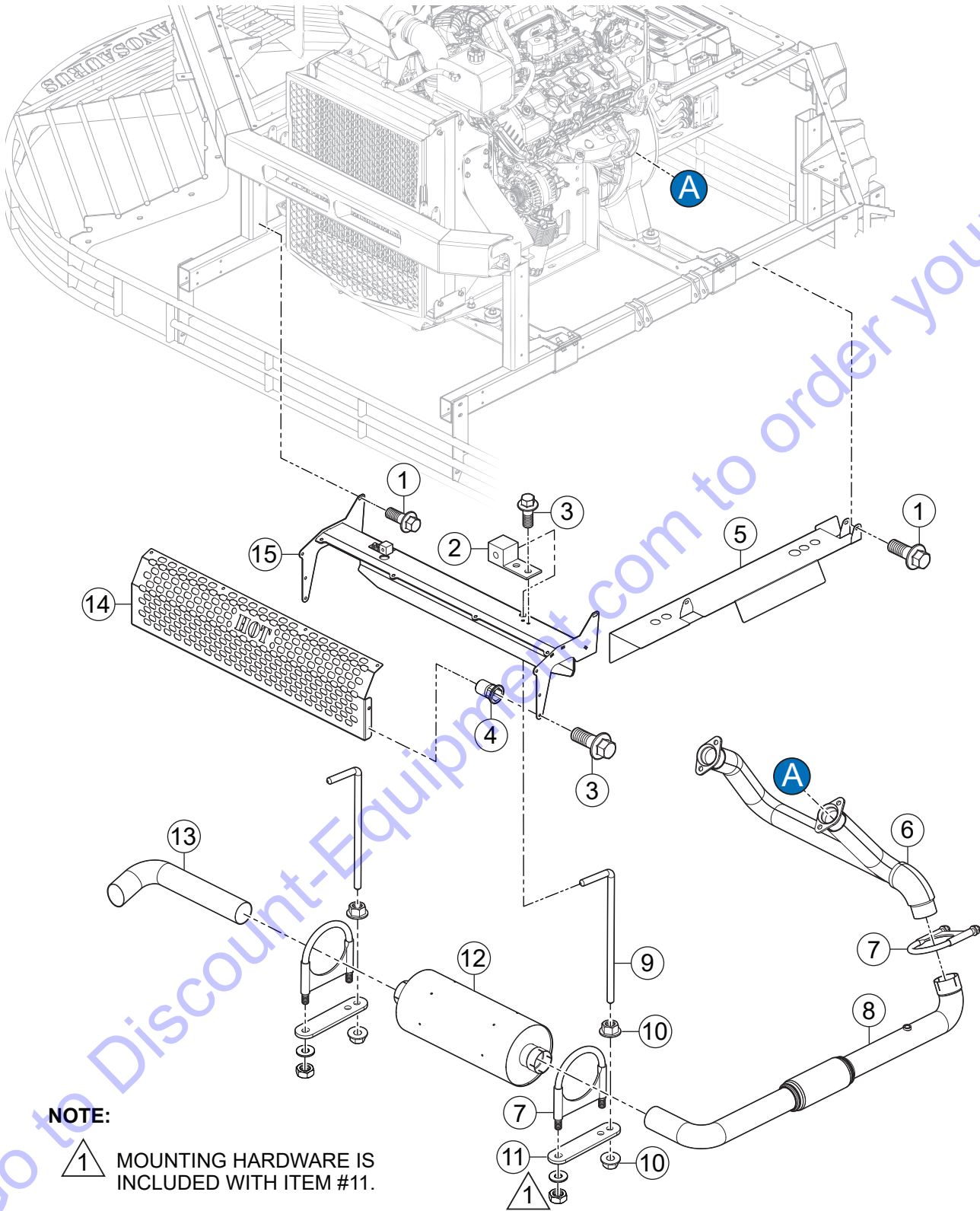


AIR INTAKE ASSY.

<u>NO.</u>	<u>PART NO.</u>	<u>PART NAME</u>	<u>QTY.</u>	<u>REMARKS</u>
1	0730	SCREW, HHC 1/4-20 X 1"	1	
2	43839	FILTER, AIR, ENGINE	1	INCLUDESITEMSW/@
3	45611	COVER, AIR BOX	1	
4	0948	WASHER, FLAT SAE 1/4"	1	
5	10024	NUT, NYLOC 1/4-20	1	
6	43724	SCREW, HHFS M6-1.0 X 25MM CLASS 8.8	8	
7	45610	AIR BOX	1	
8	45619	HEAT SHIELD, AIR BOX - RH	1	
9	42496	NUT, BLIND, HEX, M6-1.0 X 0.7 - 4.2 GRIP	8	
10	42342	SCREW, HHFS, M8-1.25 X 16 GR 8.8	6	
11	45630	HEAT SHIELD, AIR BOX BRACKET	1	
12	45612	BRACKET, AIR BOX MOUNT	1	
13	43935	HOSE, 3" 90DEG AIR INTAKE	1	
14	45613	PIPE, INTAKE	1	
15	61028	SLEEVE, FIBERGLASS, HI-TEMP, 3" ID X 0.063W	1	
16@	29218	CLAMP, HOSE WORM #48	5	

Go to Discount-Equipment.com to order your parts

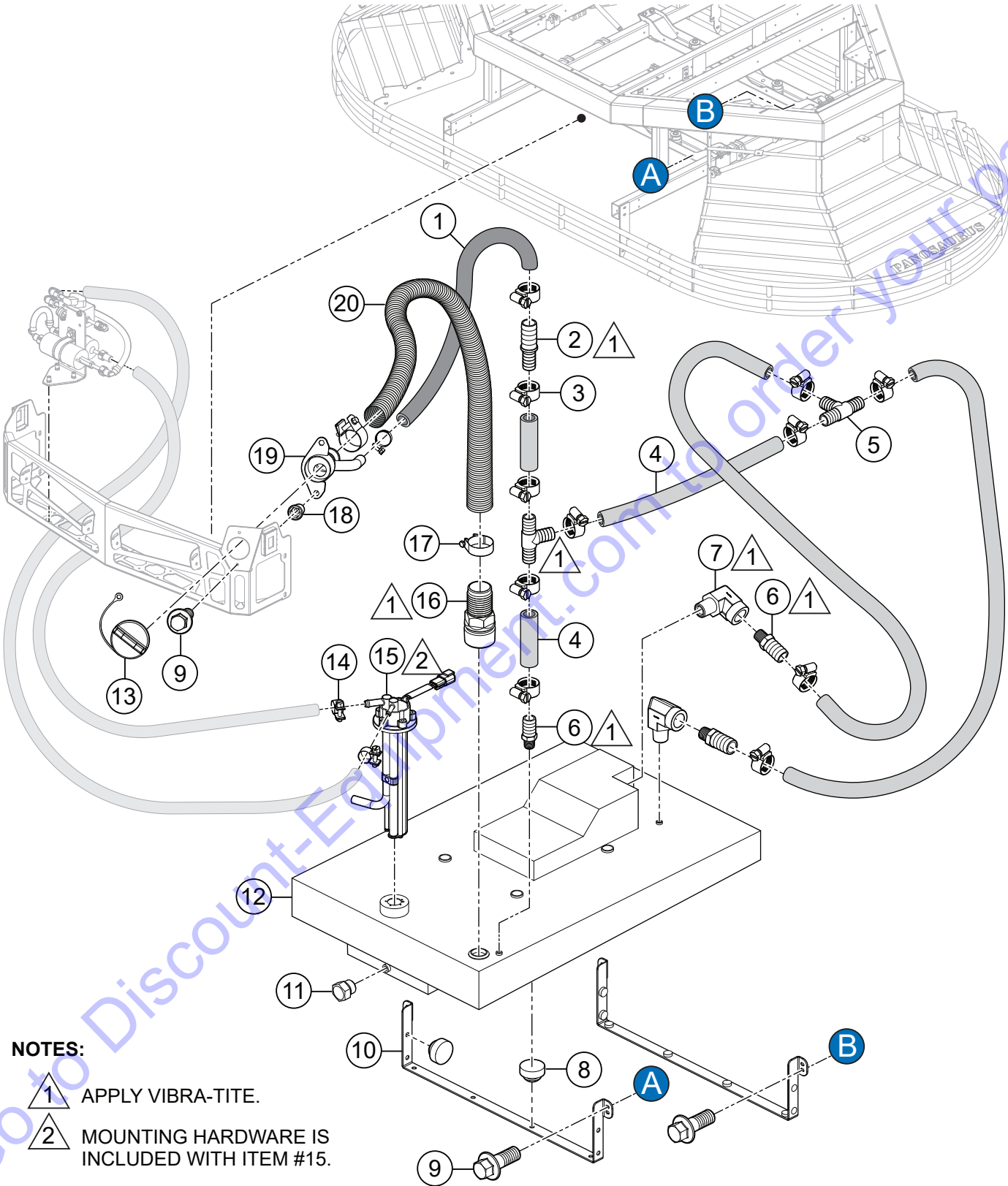
EXHAUST ASSY.



EXHAUST ASSY.

<u>NO.</u>	<u>PART NO.</u>	<u>PART NAME</u>	<u>QTY.</u>	<u>REMARKS</u>
1	42342	SCREW, HHFS, M8-1.25 X 16 GR 8.8	7	
2	45241	EXHAUST HANGER , 3/8" ROD	2	
3	42542	SCREW, HHFS M6-1.0 X 16	12	
4	42496	NUT, BLIND, HEX, M6-1.0 X 0.7 - 4.2 GRIP	12	
5	43936	HEAT SHIELD, MID PIPE	1	
6	43870	EXHAUST, DOWN PIPE	1	
7	EE16745	CLAMP, U-STYLE, ZINC PLATED, HEAVY DUTY, 3"	3	
8	43871	EXHAUST, MID PIPE	1	
9	43968	ROD, EXHAUST HANGER	2	
10	21781	NUT, HFS, 3/8-16	4	
11	43967	BRACKET, EXHAUST MOUNT, 3" U-BOLT	2	
12	43838-09	CAT, CSG637	1	
13	43872	EXHAUST, OUTLET PIPE	1	
14	43876	MUFFLER HEAT SHIELD COVER	1	
15	43782	MUFFLER MOUNT	1	

FUEL TANK ASSY.



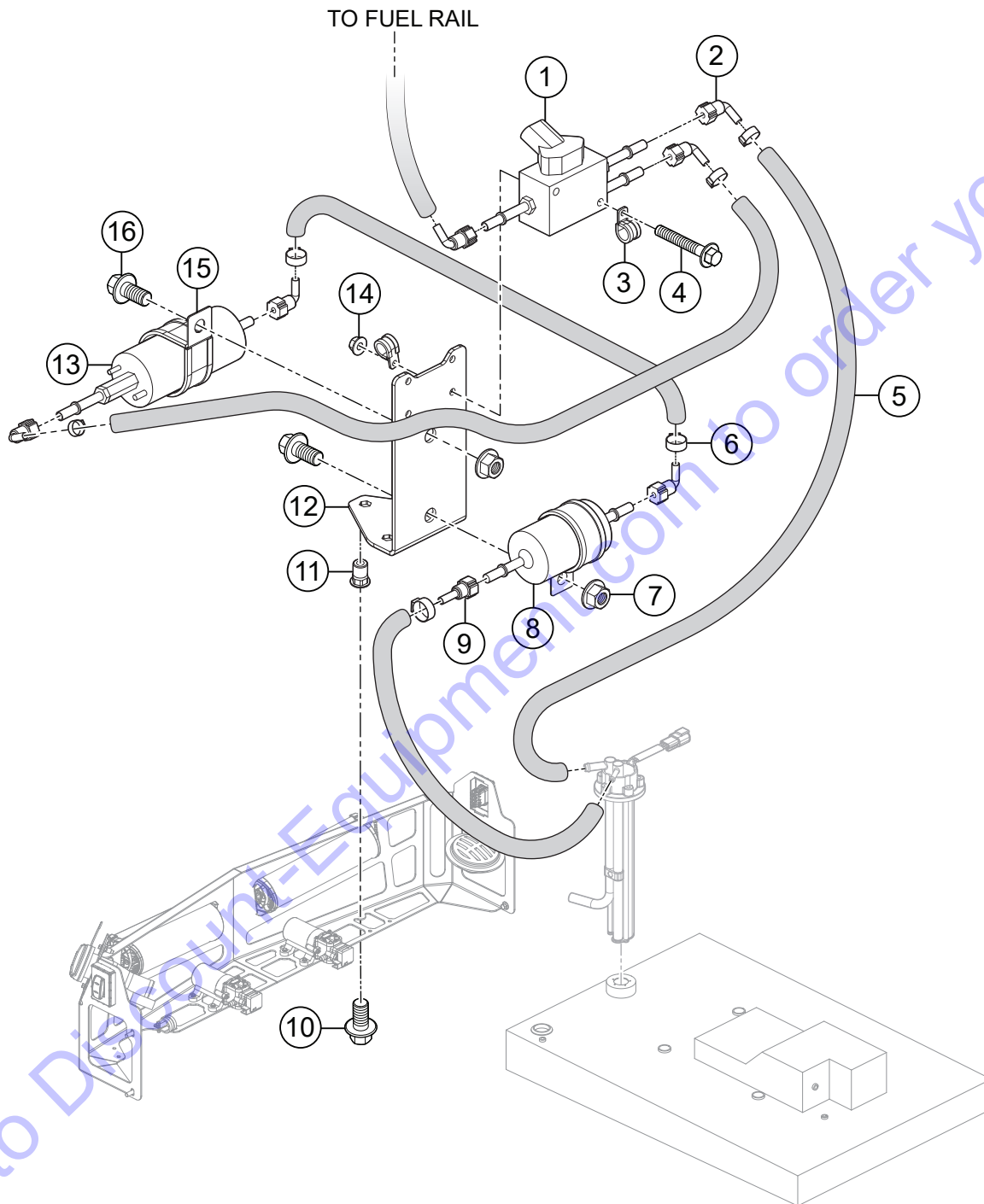
NOTES:

- 1 APPLY VIBRA-TITE.
- 2 MOUNTING HARDWARE IS INCLUDED WITH ITEM #15.

FUEL TANK ASSY.

<u>NO.</u>	<u>PART NO.</u>	<u>PART NAME</u>	<u>QTY.</u>	<u>REMARKS</u>
1	60151	HOSE, 3/4" ID X 1.00" BLACK RUBBER 0.85 FT.....	1.....	1 PC = 1 FT
2	45647	FITTING, STR, -10BARB X -12BARB, BRASS	1	
3	3333	CLAMP, HOSE WORM #12	12	
4	60019	HOSE, COOLANT, 5/8" ID, SAE20R3 6.95 FT.	7.....	1 PC = 1 FT
5	45636	FITTING, TEE, -10 BARB, BRASS	2	
6	45635	FITTING, STR, -04 MP X -10 BARB, BRASS	3	
7	8053	FITTING, 90 1/4MP X 1/4FP	2	
8	21597	BUMPER, STEM 1.0"D X 0.5S X 0.31	16	
9	42347	SCREW, HFS, ZP, M6-1.0 X 30, CLASS 8.8	6	
10	45077	STRAP, FUEL TANK	2	
11	22144	FITTING, PLUG -6MO	1	
12	45069	FUEL TANK	1	
13	45141	FUEL CAP, SAE11114 W/ 5" TETHER	1	
14	22810	CLAMP FUEL INJECTION 52F 1/2-9/16" OD	2	
15	43759	SENDING UNIT, 8" FUEL	1	
16	43391	FITTING, STR, -24 BARB X 1-1/2 MP	1	
17	42988	CLAMP, T-BOLT, 1-7/8" – 2-1/8"	2	
18	42496	RIVNUT FASTENER, HALF HEX LONG FLNG M6 X 1	2	
19	43930	FILLER NECK	1	
20	43821	HOSE, 1.5" X 17.0 E-Z FORM	1	

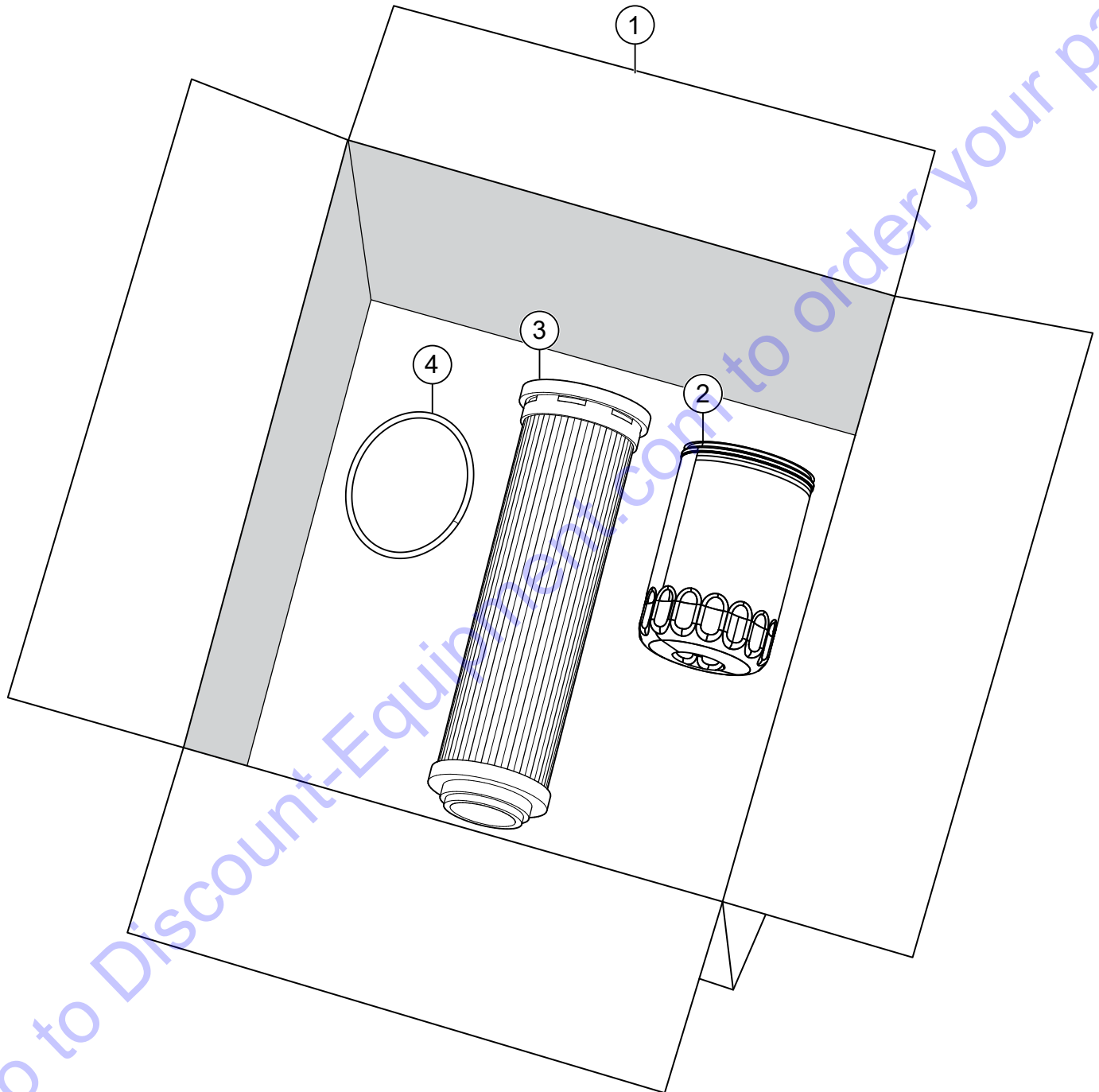
FUEL PUMP ASSY.



FUEL PUMP ASSY.

<u>NO.</u>	<u>PART NO.</u>	<u>PART NAME</u>	<u>QTY.</u>	<u>REMARKS</u>
1	43140-05	GASOLINE FUEL BLOCK	1	
2	42458	FITTING, FUEL .312, 90 DEG SAE J2044	6	
3	35023	CLAMP, LOOM CUSHIONED #10 .263 HOLE	2	
4	32796	SCREW, HHFS M6-1 X 50	2	
5	42459	HOSE, RUBBER, .3125, LOW PERM 145 PSI 11.4 FT.....	12.....	1 PC = 1 FT
6	37822	CLAMP, 15.3MM OETIKER STEPLESS EAR	7	
7	42353	NUT, HEX, SERRATED-FLANGE, M10-1.5	2	
8	43140-04	FUEL FILTER	1	
9	42457	FITTING, FUEL .312, STRAIGHT SAE J2044	1	
10	43724	SCREW, HFS M6-1.0 X 25MM CLASS 8.8	3	
11	43655	NUT, BLIND, HEX, M6-1.0 X 4.2 - 6.6 GRIP	3	
12	45079	BRACKET, FUEL PUMP	1	
13	43140-02	GASOLINE FUEL PUMP	1	
14	42352	NUT, HEX, SERRATED-FLANGE, M6-1.0	2	
15	43140-06	FUEL PUMP MOUNTING CLAMPS	2	
16	45632	SCREW, HFS M10-1.5 X 20 CLASS 8.8	2	

FILTER KIT ASSY.

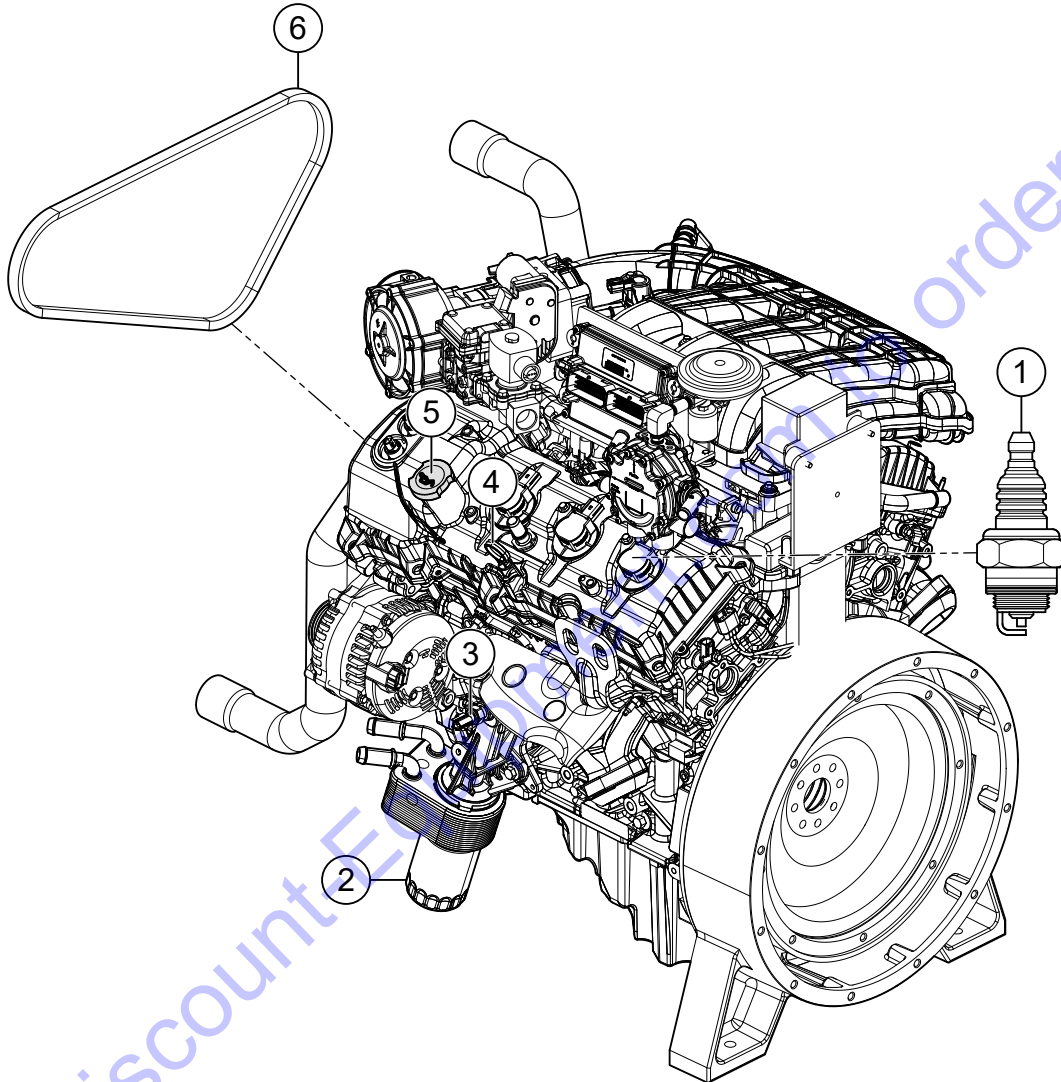


FILTER KIT ASSY.

<u>NO.</u>	<u>PART NO.</u>	<u>PART NAME</u>	<u>QTY.</u>	<u>REMARKS</u>
1	43988	FILTER KIT	1	INCLUDES ITEMS W/@
2@	43838-29	FL-500S OIL FILTER	1	
3@	42616-1	HYD. FILTER REPLACEMENT ELEMENT, MED.	1	
4@	43963-01	O-RING, FILTER, MAGNETIC MIDI	1	

Go to Discount-Equipment.com to order your parts

ENGINE SERVICE PARTS



ENGINE SERVICE PARTS

<u>NO.</u>	<u>PART NO.</u>	<u>PART NAME</u>	<u>QTY.</u>	<u>REMARKS</u>
1	43838-04	SPARK PLUG	6	
2	43838-29	FL-500S OIL FILTER	1	
3	43838-05	OIL PRESSURE SWITCH	1	
4	43838-39	OIL INDICATOR (DIP STICK)	1	
5	43838-40	OIL FILL CAP	1	
6	43838-22	BELT, FEAD	1	

Go to Discount-Equipment.com to order your parts

PARTS FINDER

**Search Website
by Part Number**



**Search Manual
Library For Parts
Manual & Lookup Part
Numbers – Purchase
or Request Quote**

Search Manuals

Enter your information to search for a manual or to purchase a manual or parts.

* Brand:

* Model:

* Serial:

* Part Number:

SEARCH

**Can't Find Part or
Manual? Request Help
by Manufacturer,
Model & Description**

Parts Order Form

Please fill in the following information to request help finding a part or manual.

Manufacturer:

Model:

Description:

Quantity:

Part Number:

Part Name:

Part Description:

Part Category:

Part Location:

Part Status:

Part Condition:

Part Material:

Part Color:

Part Weight:

Part Dimensions:

Part Price:

Part Availability:

Part Lead Time:

Part Notes:

Submit

Discount-Equipment.com is your online resource for quality parts & equipment.

Florida: **561-964-4949** Outside Florida TOLL FREE: **877-690-3101**

Need parts?

Click on this link: <http://www.discount-equipment.com/category/5443-parts/> and choose one of the options to help get the right parts and equipment you are looking for. Please have the machine model and serial number available in order to help us get you the correct parts. If you don't find the part on the website or on one of the online manuals, please fill out the request form and one of our experienced staff members will get back to you with a quote for the right part that your machine needs.

We sell worldwide for the brands: Genie, Terex, JLG, MultiQuip, Mikasa, Essick, Whiteman, Mayco, Toro Stone, Diamond Products, Generac Magnum, Airman, Haulotte, Barreto, Power Blanket, Nifty Lift, Atlas Copco, Chicago Pneumatic, Allmand, Miller Curber, Skyjack, Lull, Skytrak, Tsurumi, Husquvarna Target, Stow, Wacker, Sakai, Mi-T-M, Sullair, Basic, Dynapac, MBW, Weber, Bartell, Bennar Newman, Haulotte, Ditch Runner, Menegotti, Morrison, Contec, Buddy, Crown, Edco, Wyco, Bomag, Laymor, EZ Trench, Bil-Jax, F.S. Curtis, Gehl Pavers, Heli, Honda, ICS/PowerGrit, IHI, Partner, Imer, Clipper, MMD, Koshin, Rice, CH&E, General Equipment, Amida, Coleman, NAC, Gradall, Square Shooter, Kent, Stanley, Tamco, Toku, Hatz, Kohler, Robin, Wisconsin, Northrock, Oztec, Toker TK, Rol-Air, APT, Wylie, Ingersoll Rand / Doosan, Innovatech, Con X, Ammann, Mecalac, Makinex, Smith Surface Prep, Small Line, Wanco, Yanmar

PARTS MANUAL

HERE'S HOW TO GET HELP

PLEASE HAVE THE MODEL AND SERIAL
NUMBER ON-HAND WHEN CALLING



www.discount-equipment.com

© COPYRIGHT 2021, MULTIQUIP INC.

Multiquip Inc, the MQ logo are registered trademarks of Multiquip Inc. and may not be used, reproduced, or altered without written permission. All other trademarks are the property of their respective owners and used with permission.

This manual **MUST** accompany the equipment at all times. This manual is considered a permanent part of the equipment and should remain with the unit if resold.

The information and specifications included in this publication were in effect at the time of approval for printing. Illustrations, descriptions, references and technical data contained in this manual are for guidance only and may not be considered as binding. Multiquip Inc. reserves the right to discontinue or change specifications, design or the information published in this publication at any time without notice and without incurring any obligations.



PN: 45742