



RIDE-ON POWER FLOAT



Maximum Coverage.
Optimum Flatness.



www.discount-equipment.com

12 ft. Ride-On Power Float

The industry's first power float designed to attain maximum coverage and optimum flatness on high production flatwork.

The PRX Ride-On Power Float provides unprecedented torque on demand with no loss of rotor RPM through the most demanding panning conditions. This revolutionary concept delivers more power to the floor and demonstrates how Multiquip is dedicated to improving the finishing process.

- **Liquid-cooled, multi-phase drive motors** deliver maximum torque at break-away RPM, enabling twin 70" rotors to turn with optimum speed and efficiency.

- **High-efficiency electric motor design** outperforms conventional hydraulic drive units by up to 13%.
- **Proportional hydraulic steering control** transitions directional movement smoothly.

Drive System

- **Powerful Ford Power Products 3.7 liter V6 engine** ensures optimum torque for panning and delivers more power to the floor.
- **Aluminum engine block** features deep skirted cylinder block for rigidity. Valve train is "set for life" to provide years of maintenance-free operation.
- **Clean burning LPG engine** allows the PRX to work in semi-enclosed areas with proper ventilation.
- **New spider design** produces ultimate floor flatness — 40% more coverage area compared to machines using twin 60" spiders.

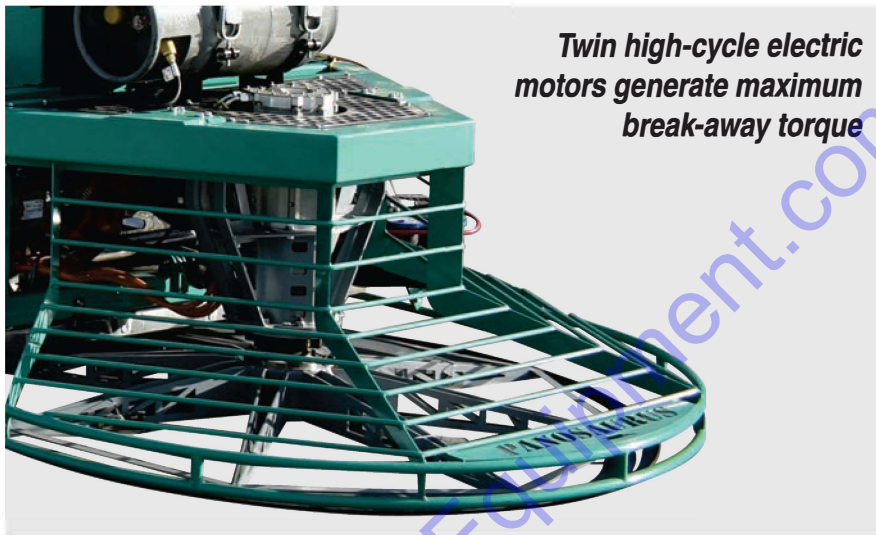
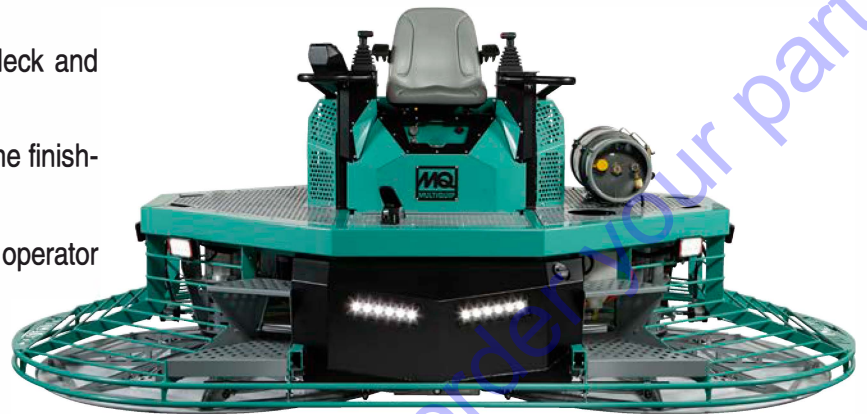
**PRX** ⚡

*Model PRX • 12-foot path width
Proportional hydraulic steering*

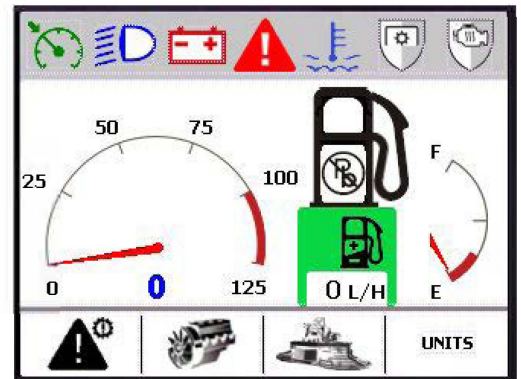


Design

- **All-new frame design** features walk-around deck and allows easy access to service areas.
- **Outstanding illumination** for indoor or nighttime finishing is provided by eight LED lights.
- **Ergonomic controls** and seating area reduce operator fatigue.
- **Operator convenience** features include a 12 volt USB outlet and cup holder.



Twin high-cycle electric motors generate maximum break-away torque



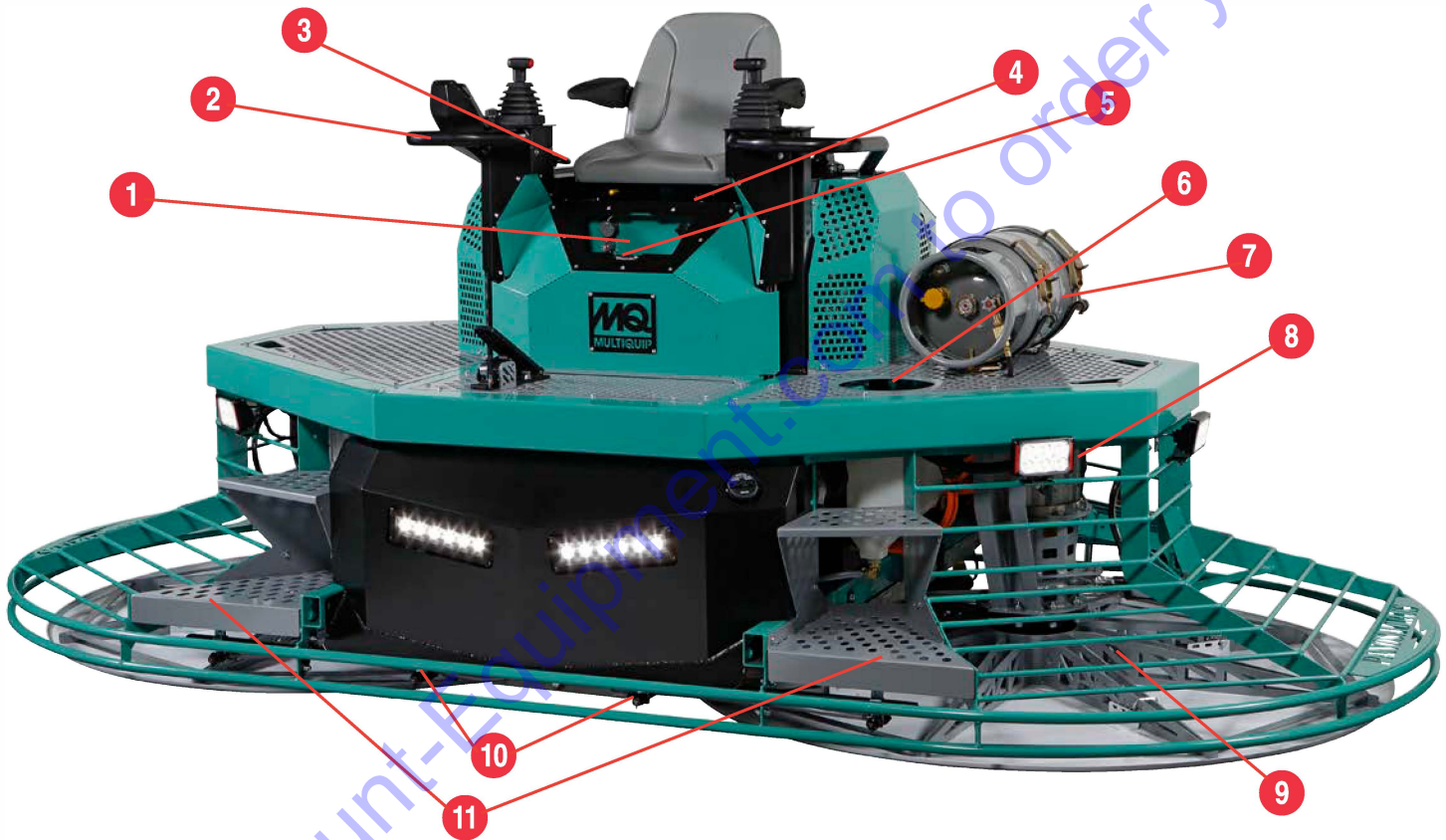
Operator Controls

- **Digital display** provides information at a glance. Includes data on rotor speed, fuel selection, fuel level, engine speed, cruise control selection and critical machine alerts.
- **Active Speed Control** enables operator to precisely set rotor speeds using the digital interface. Actively monitors drive system to maintain consistent rotor speeds under varying load conditions.
- **Rotor speed is adjusted** by dialing-in the preferred setting — up to 100 RPM — using the control knob.
- **Rotor Jog** enables spiders to be slowly rotated, while operator stands in front of the machine, and prevents surface marring as pans separate from the slab surface.



PRX 12 ft. Ride-On Power Float Specifications

Model	Path Width in.(mm)	Legs per Rotor	Rotor RPM	Steering Type	Engine	HP (kW)	Engine Cooling	Fuel Type	Fuel Capacity	Operating Weight lb. (kg)
PRX	146 (3708)	8	100	Proportional Hydraulic	Ford Power Products	107 (79)	Liquid	Gasoline	35 gal.	4,166 (1889)
						118 (88)		LPG	33.5 lb.	



- 1..... Glove Box
- 2..... Grab Bar
- 3..... Standard D-Ring Lift location
- 4..... USB Port
- 5..... Cup Holder
- 6..... Retardant Fill
- 7..... LPG Tank (Sold separately)
- 8..... Electric Drive Motor
- 9..... New 8-Leg Spider design
- 10... Retardant Spray Nozzles
- 11... Operator Access Steps

www.discount-equipment.com



www.multiquip.com

TO PURCHASE THIS PRODUCT PLEASE CONTACT US



**Equipment Financing and
Extended Warranties Available**



**Discount-Equipment.com is your online resource for
commercial and industrial quality parts and equipment sales.**

561-964-4949

visit us on line @ www.discount-equipment.com

Select an option below to find your Equipment

Search by Manufacturer

Search by Product Type

Request a Quote

We sell worldwide for the brands: Genie, Terex, JLG, MultiQuip, Mikasa, Essick, Whiteman, Mayco, Toro Stone, Diamond Products, Generac Magnum, Airman, Haulotte, Barreto, Power Blanket, Nifty Lift, Atlas Copco, Chicago Pneumatic, Allmand, Miller Curber, Skyjack, Lull, Skytrak, Tsurumi, Husquvarna Target, Stow, Wacker, Sakai, Mi-T-M, Sullair, Basic, Dynapac, MBW, Weber, Bartell, Bennar Newman, Haulotte, Ditch Runner, Menegotti, Morrison, Contec, Buddy, Crown, Edco, Wyco, Bomag, Laymor, EZ Trench, Bil-Jax, F.S. Curtis, Gehl Pavers, Heli, Honda, ICS/PowerGrit, IHI, Partner, Imer, Clipper, MMD, Koshin, Rice, CH&E, General Equipment, Amida, Coleman, NAC, Gradall, Square Shooter, Kent, Stanley, Tamco, Toku, Hatz, Kohler, Robin, Wisconsin, Northrock, Oztec, Toker TK, Rol-Air, APT, Wylie, Ingersoll Rand / Doosan, Innovatech, Con X, Ammann, Mecalac, Makinex, Smith Surface Prep, Small Line, Wanco, Yanmar