



SPARE PARTS LIST

LIGHT COMPACTION

LG 300, 967855303, 967855306,
967855304, 967855307, 967855305,
967855301, 967855302, 2019-06

Go to Discount-Equipment.com to order your parts



PARTS FINDER

**Search Website
by Part Number**



**Search Manual
Library For Parts
Manual & Lookup Part
Numbers – Purchase
or Request Quote**

Search Manuals

Enter your information to help us find the right parts manual for your machine.

* Brand:

* Model:

* Serial:

* Part Number:

SEARCH

**Can't Find Part or
Manual? Request Help
by Manufacturer,
Model & Description**

Parts Order Form

Please fill in the following information to help us find the right part for your machine.

MANUFACTURER:

MODEL:

DESCRIPTION:

DATE:

TIME:

PHONE:

EMAIL:

ADDRESS:

CITY:

STATE:

ZIP:

SEARCH

Discount-Equipment.com is your online resource for quality parts & equipment.

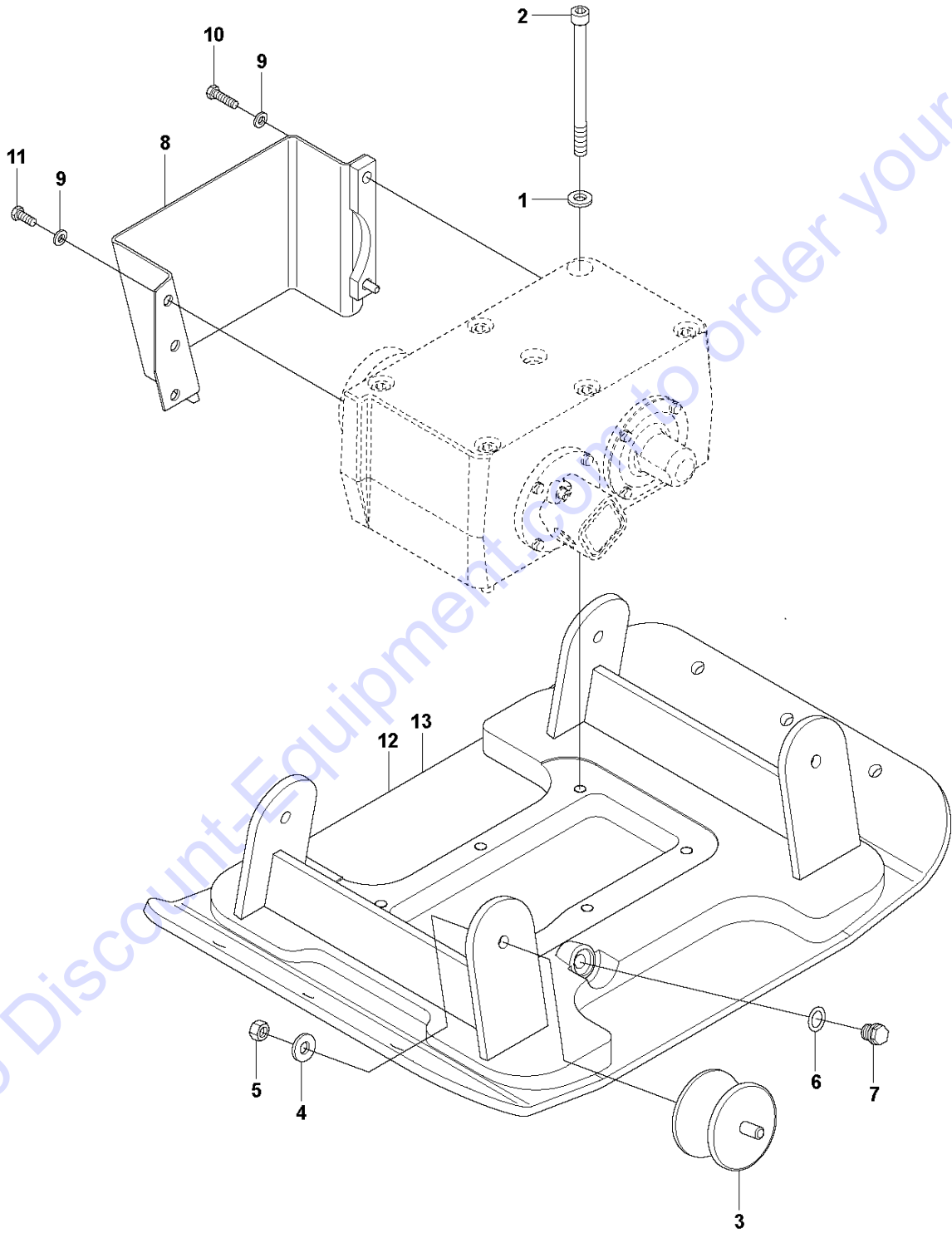
Florida: **561-964-4949** Outside Florida TOLL FREE: **877-690-3101**

Need parts?

Click on this link: <http://www.discount-equipment.com/category/5443-parts/> and choose one of the options to help get the right parts and equipment you are looking for. Please have the machine model and serial number available in order to help us get you the correct parts. If you don't find the part on the website or on one of the online manuals, please fill out the request form and one of our experienced staff members will get back to you with a quote for the right part that your machine needs.

We sell worldwide for the brands: Genie, Terex, JLG, MultiQuip, Mikasa, Essick, Whiteman, Mayco, Toro Stone, Diamond Products, Generac Magnum, Airman, Haulotte, Barreto, Power Blanket, Nifty Lift, Atlas Copco, Chicago Pneumatic, Allmand, Miller Curber, Skyjack, Lull, Skytrak, Tsurumi, Husquvarna Target, Stow, Wacker, Sakai, Mi-T-M, Sullair, Basic, Dynapac, MBW, Weber, Bartell, Bennar Newman, Haulotte, Ditch Runner, Menegotti, Morrison, Contec, Buddy, Crown, Edco, Wyco, Bomag, Laymor, EZ Trench, Bil-Jax, F.S. Curtis, Gehl Pavers, Heli, Honda, ICS/PowerGrit, IHI, Partner, Imer, Clipper, MMD, Koshin, Rice, CH&E, General Equipment, Amida, Coleman, NAC, Gradall, Square Shooter, Kent, Stanley, Tamco, Toku, Hatz, Kohler, Robin, Wisconsin, Northrock, Oztec, Toker TK, Rol-Air, APT, Wylie, Ingersoll Rand / Doosan, Innovatech, Con X, Ammann, Mecalac, Makinex, Smith Surface Prep, Small Line, Wanco, Yanmar

A LG 300
GROUND PLATE AND ECCENTRIC ELEMENT INSTALLATION



GROUND PLATE & ECCENTRIC ELEMENT INSTALLATION LG 300, 967855303, 967855306,
 967855304, 967855307, 967855305, 967855301, 967855302, 2019-06

Ref	Part No	Description	Remark	QTY KIT
1	595 11 30-01	WASHER	13 x 24 x 6 mm, 0.51 x 0.95 x 0.16 in. 300 HV	6
2	594 55 18-01	SCREW	M12 x 160 mm 12.9GEOMET®	6
3	594 32 70-01	ABSORBER		4
4	595 06 68-01	WASHER	13 x 24 x 2 mm, 0.51 x 0.94 x 0.08 in. 300 HV	4
5	595 35 18-01	NUT	M12 A3K	4
6	595 51 43-01	WASHER	16.7 x 24 x 1.5 mm, 0.66 x 0.94 x 0.06 in. TYPE A, M16	1
7	595 04 83-01	PLUG	M16	1
8	594 43 13-01	BELT COVER		1
9	595 03 66-01	WASHER	8.4 x16 x1.5 mm, 0.33 x 0.63 x 0.06 in. 300 HV	5
10	595 05 54-01	SCREW	M8x20 mm 8.8 A2K	3
11	594 11 79-01	SCREW	M8 x 30 mm 8.8 A2K	2
12	595 50 45-01	PLATE	500 mm, 19.68 in.	1
13	594 64 43-01	GROUND PLATE	600 mm, 23.62 in.	1

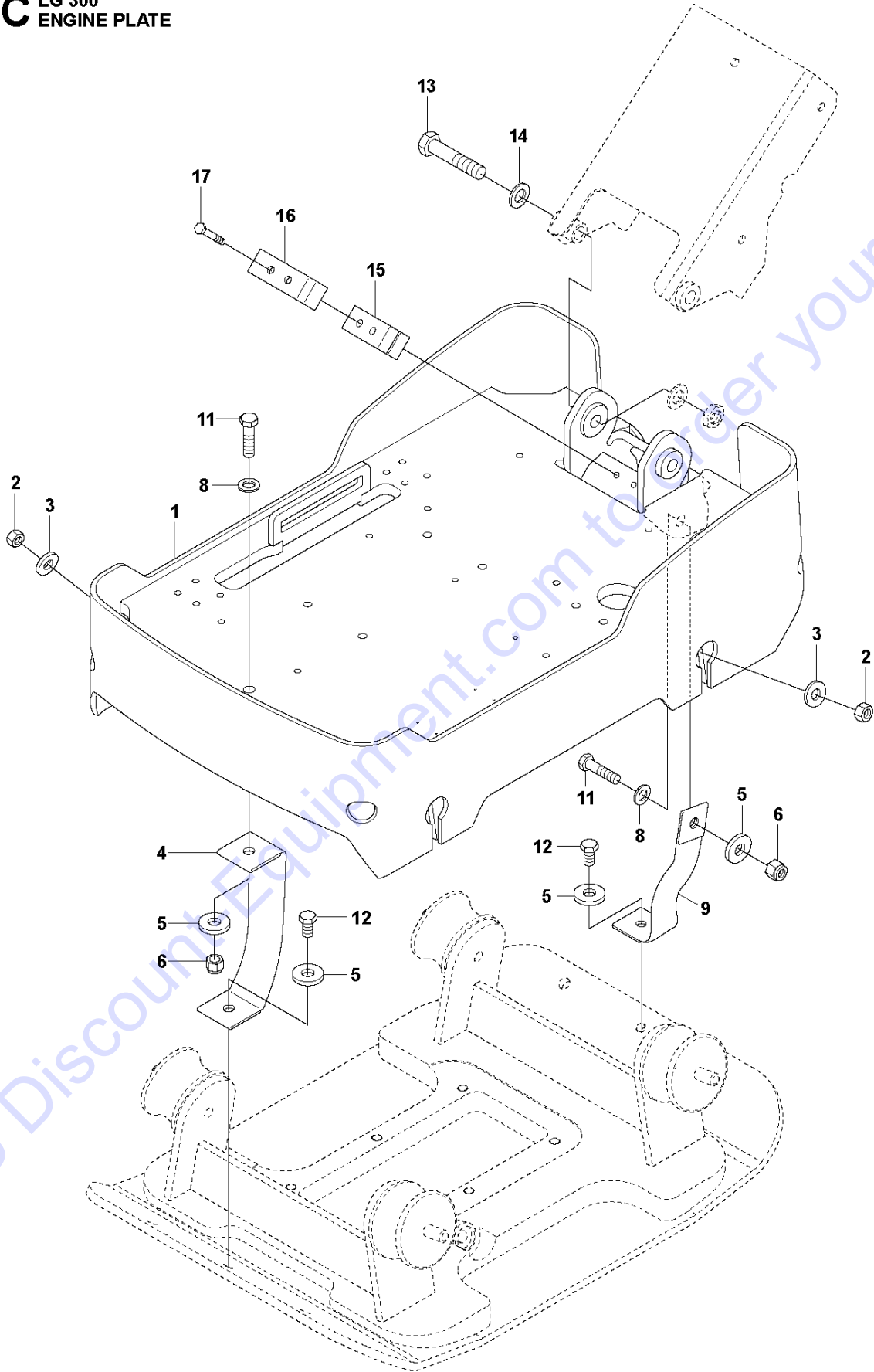
Go to Discount-Equipment.com to order your parts

ECCENTRIC ELEMENT LG 300, 967855303, 967855306, 967855304, 967855307, 967855305, 967855301, 967855302, 2019-06

Ref	Part No	Description	Remark	QTY KIT
1	594 64 35-01	PISTON		1
2	594 64 77-01	SPRING WASHER		1
3	594 64 76-01	BALL BEARING		1
4	594 26 56-01	RING		1
5	594 64 75-01	BALL BEARING		1
6	594 26 64-01	RING		1
7	595 06 26-01	PIN		1
8	594 64 50-01	CAP		1
9	594 64 33-01	PISTON ROD		1
10	594 33 22-01	SEALING		1
11	594 43 60-01	HOUSING		1
12	595 04 58-01	SNAP RING		4
13	594 53 11-01	ROLLER BEARING		4
14	594 48 72-01	SHAFT		1
15	594 43 58-01	COVER		1
16	594 64 37-01	COVER		1
17	594 32 59-01	SPACER RING		1
18	594 54 74-01	SEALING		1
19	595 04 78-01	GASKET	16.7x24x1.5 mm Type A M16	1
20	595 04 83-01	PLUG	M16	1
21	594 43 59-01	COVER		1
22	594 64 36-01	SHAFT		1
23	594 55 05-01	BALL BEARING		2
24	594 32 67-01	EXCENTER		1
25	594 64 49-01	GEAR WHEEL		1
26	594 32 60-01	SPACER RING		1
27	594 54 65-01	STOP SCREW	M10 x 12 mm	1
28	594 32 69-01	SPRING		1
29	594 32 62-01	WASHER		2
30	595 04 60-01	RETAINER RING		1
31	594 35 62-01	EXCENTER		1
32	595 11 89-01	LOCKWASHER	12 x 22 x 2 mm, 0.47 x 0.87 x 0.08 in. 300 HV	2
33	594 52 63-01	SCREW	M12 x 60 mm 10.9GEOMET®	1
34	595 10 98-01	SCREW	M6 x 20 mm 8.8 A2K	16
35	594 52 62-01	SCREW	M12 x 30mm 10.9GEOMET®	1
36	594 32 58-01	PIN		1
37	595 03 65-01	WASHER	6.4 x 12 x 1.5 mm, 0.25 x 0.47 x 0.06 in. 300 HV	16
38	594 64 32-01	CYLINDER		1
39	594 43 03-01	PULLEY		1
40	594 32 63-01	WASHER		1
41	594 11 85-01	BOLT	M10 x 25 mm	1

Go to DiscountEquipment.com to order your parts

C LG 300
ENGINE PLATE



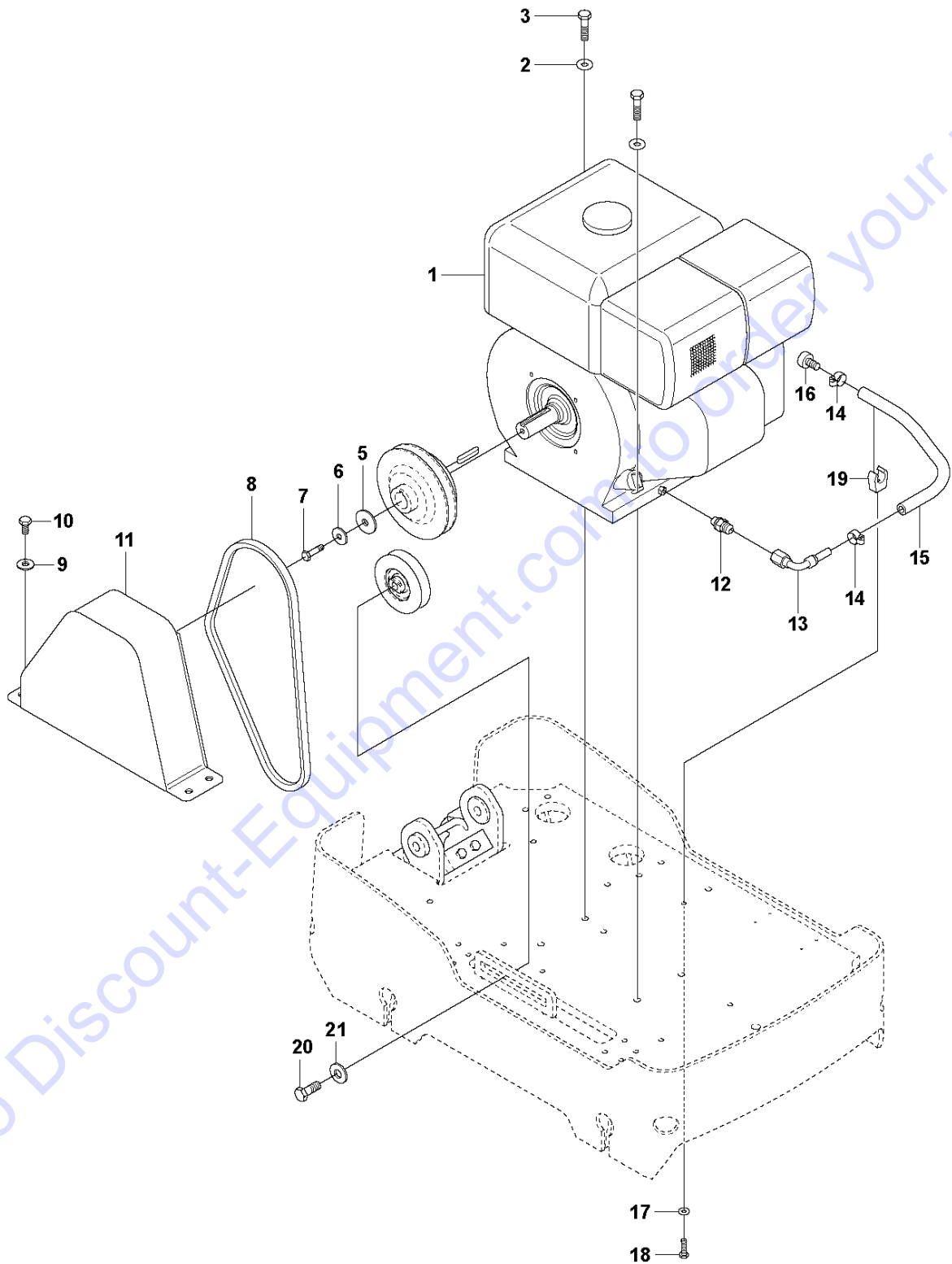
Go to DiscountEquipment.com to order your parts

ENGINE PLATE LG 300, 967855303, 967855306, 967855304, 967855307, 967855305, 967855301, 967855302, 2019-06

Ref	Part No	Description	Remark	QTY KIT
1	595 12 04-01	ENGINE PLATE		1
2	595 35 18-01	NUT	M12 A3K	4
3	595 11 28-01	WASHER	13 x 30 x 4 mm, 0.51 x 1.18 x 0.16 in. 300 HV	4
4	594 14 30-01	STRAP		1
5	594 12 40-01	WASHER	13 x 36 x 6 mm, 0.51 x 1.42 x 0.24 in. 300 HV	4
6	595 11 27-01	NUT	M12 x 25 mm 8.8 A3K	2
8	595 06 68-01	WASHER	13 x 24 x 2 mm, 0.51 x 0.94 x 0.08 in. 300 HV	1
9	594 14 15-01	STRAP		1
11	595 05 55-01	SCREW	M12 x 45 mm 8.8 A3K	2
12	595 34 52-01	BOLT	M12 x 20 mm 8.8 A3K	2
13	595 34 41-01	SCREW	M16 x 80 mm 10.9 GEOMET®	2
14	595 03 67-01	WASHER	10.5 x 22 x 2 mm, 0.41 x 0.87 x 0.08 in. 300 HV	4
15	594 32 40-01	BLOCK		1
16	594 14 74-01	BRACKET		1
17	595 28 71-01	SCREW	M8 x 50 mm 8.8 A2K	2

Go to Discount-Equipment.com to order your parts

D LG 300
ENGINE INSTALLATION - HONDA

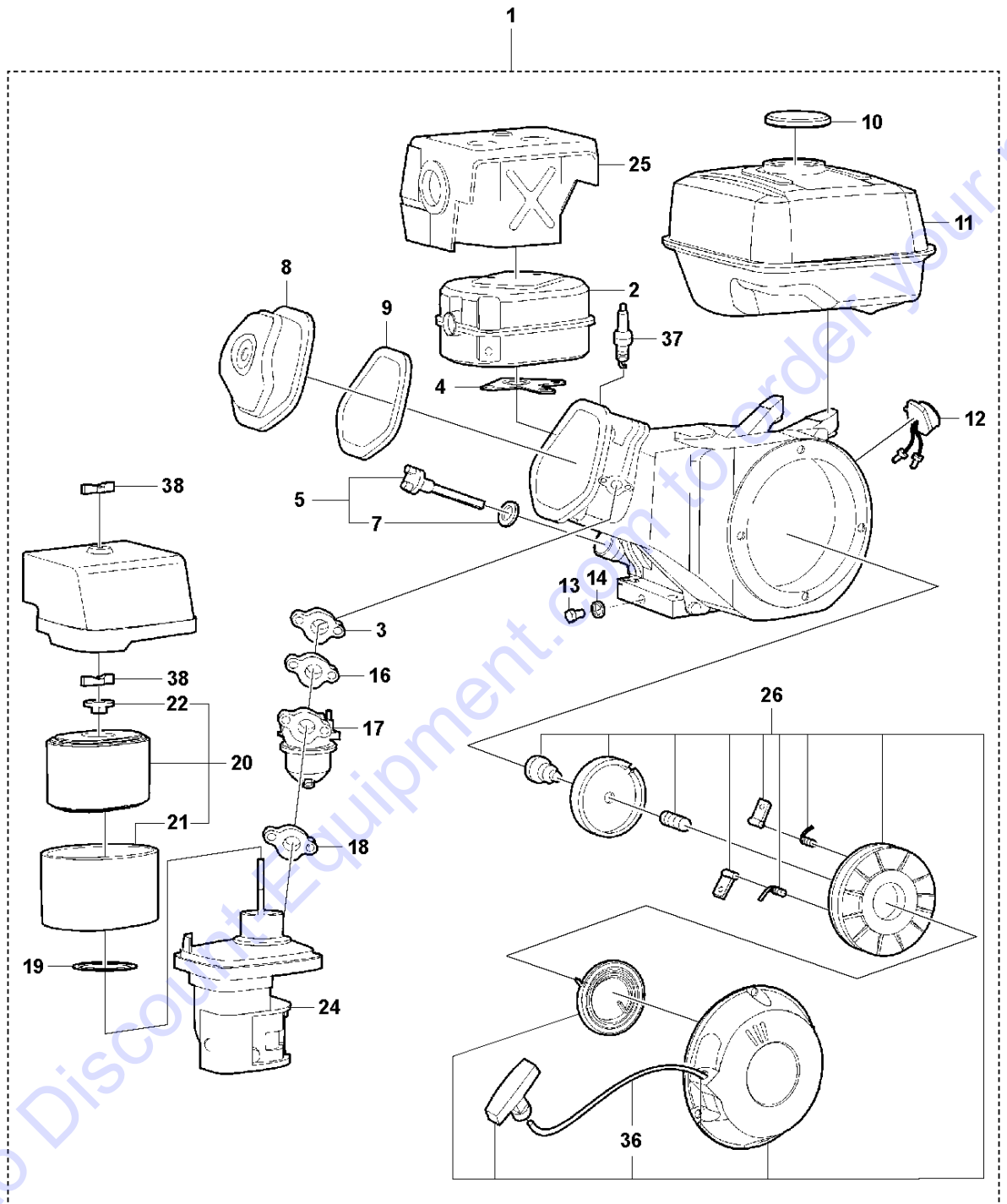


ENGINE INSTALLATION - HONDA LG 300, 967855303, 967855306, 967855304, 967855307,
967855305, 967855301, 967855302, 2019-06

Ref	Part No	Description	Remark	QTY KIT
1	594 35 23-01	ENGINE		1
2	594 74 73-01	WASHER	10.5 x 22 x 4 mm , 0.33 x 0.87 x 0.16 in. 300 HV	4
3	595 34 48-01	SCREW	M10 x 40 mm 8.8 A3K	4
5	594 50 16-01	WASHER	9 x 35 x 2 mm SR	1
6	595 11 29-01	WASHER	8.4 x 26 x 4 mm, 0.33 x 1.02 x 0.16 in. 300 HV	1
7	595 03 34-01	SCREW	M8 x 30 mm 8.8 A2K	1
8	594 33 27-01	BELT		1
9	594 12 34-01	WASHER	M08 8,4x22x3,0 300 HV	4
10	594 11 79-01	SCREW	M8 x 16 mm 8.8 A2K	4
11	594 96 18-01	V-BELT		1
12	595 18 60-01	ADAPTER		1
13	594 52 29-01	CONNECTOR		1
14	595 45 46-01	CLAMP	11-18 x 9 mm, 0.43 -0.71 x 0.35 in.	2
15	594 14 78-01	HOSE		1
16	594 14 73-01	PLUG		1
17	595 03 65-01	WASHER	Washer must be added here under the bolt.	
18	596 69 50-08	SCREW	M5 x 25 mm 8.8 A2K	1
19	594 33 10-01	CLIP		1
20	594 11 90-01	BOLT	13 x 36 x 6 mm, 0.51 x 1.42 x 0.24 in. 300 HV	1
21	595 11 28-01	WASHER	M12 x 30 mm 8.8 A3K	1

Go to Discount-Equipment.com to order your parts

E LG 300
ENGINE - HONDA GX 270 UT SWS4

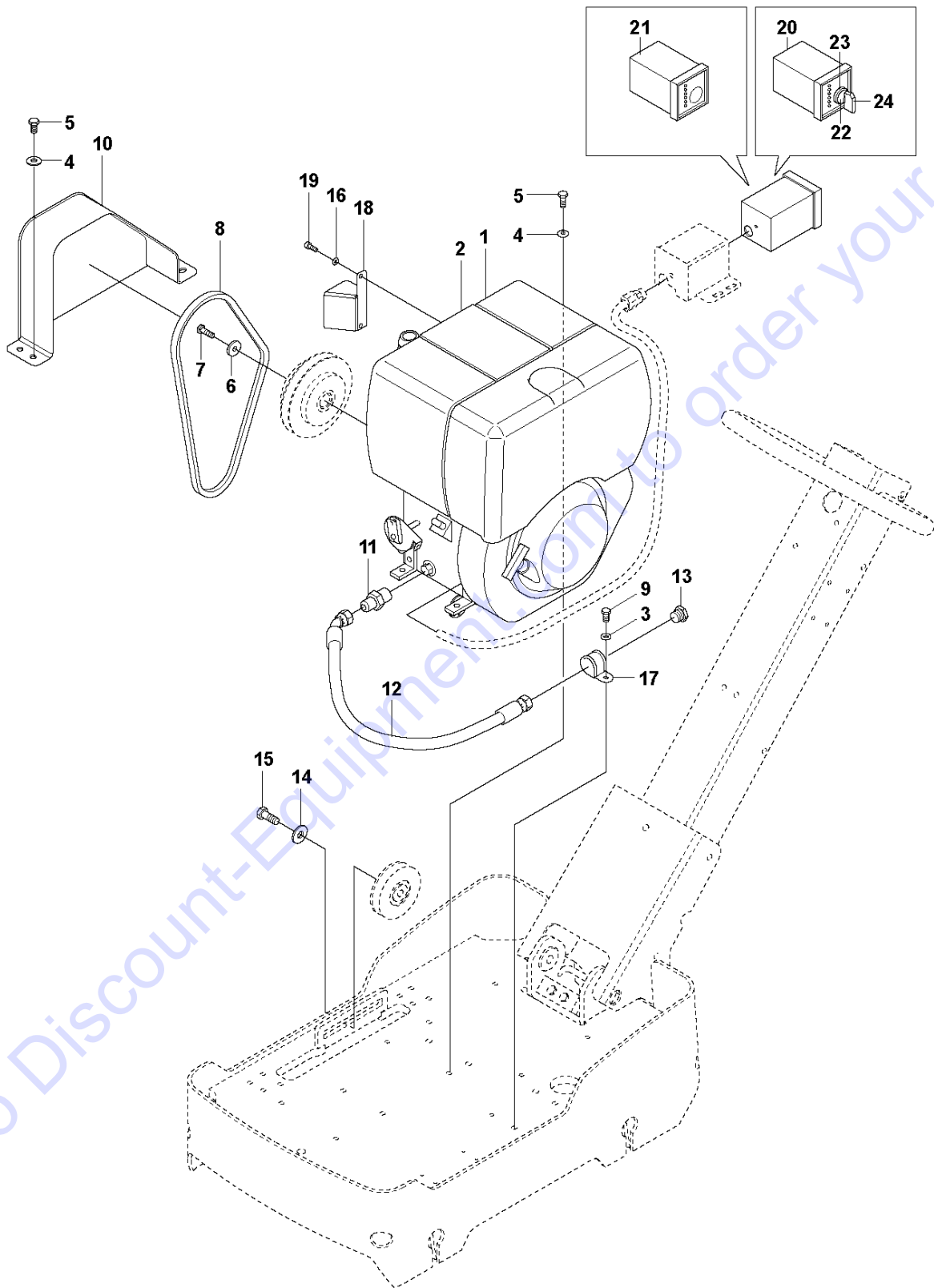


ENGINE - HONDALG 300, 967855303, 967855306, 967855304, 967855307, 967855305, 967855301, 967855302, 2019-06

Ref	Part No	Description	Remark	QTY	KIT
1	594 35 23-01	ENGINE	Honda GX 270 UT SWS4	1	
2	594 57 53-01	MUFFLER		1	1
3	595 47 07-01	GASKET		1	1
4	595 13 12-01	GASKET		1	1
5	595 38 19-01	DIPSTICK		1	1
7	594 20 39-01	GASKET		1	5
8	595 13 13-01	COVER		1	1
9	594 76 03-01	GASKET		1	1
10	594 60 91-01	CAP		1	1
11	595 13 11-01	FUEL TANK		1	1
12	594 20 58-01	SWITCH		1	1
13	595 38 20-01	OIL PLUG		1	1
14	594 76 06-01	GASKET		1	1
16	595 19 15-01	GASKET		1	1
17	595 13 14-01	CARBURETTOR		1	1
18	595 19 14-01	SPACER		1	1
19	595 47 08-01	GASKET		1	1
20	594 57 51-01	AIR FILTER		1	1
21	594 37 17-01	AIR FILTER	Complete	1	20
22	595 04 94-01	GASKET		1	20
24	595 13 15-01	AIR FILTER		1	1
25	595 38 21-01	COVER		1	1
26	594 20 59-01	STARTER	Complete	1	1
36	594 84 81-01	STRAP		1	26
37	594 57 50-01	SPARK PLUG		1	1
38	595 04 93-01	NUT		2	1

Go to Discount-Equipment.com to order your parts

F LG 300
ENGINE INSTALLATION - HATZ



Go to Discount-Equipment.com to order your parts

ENGINE INSTALLATION - HATZ

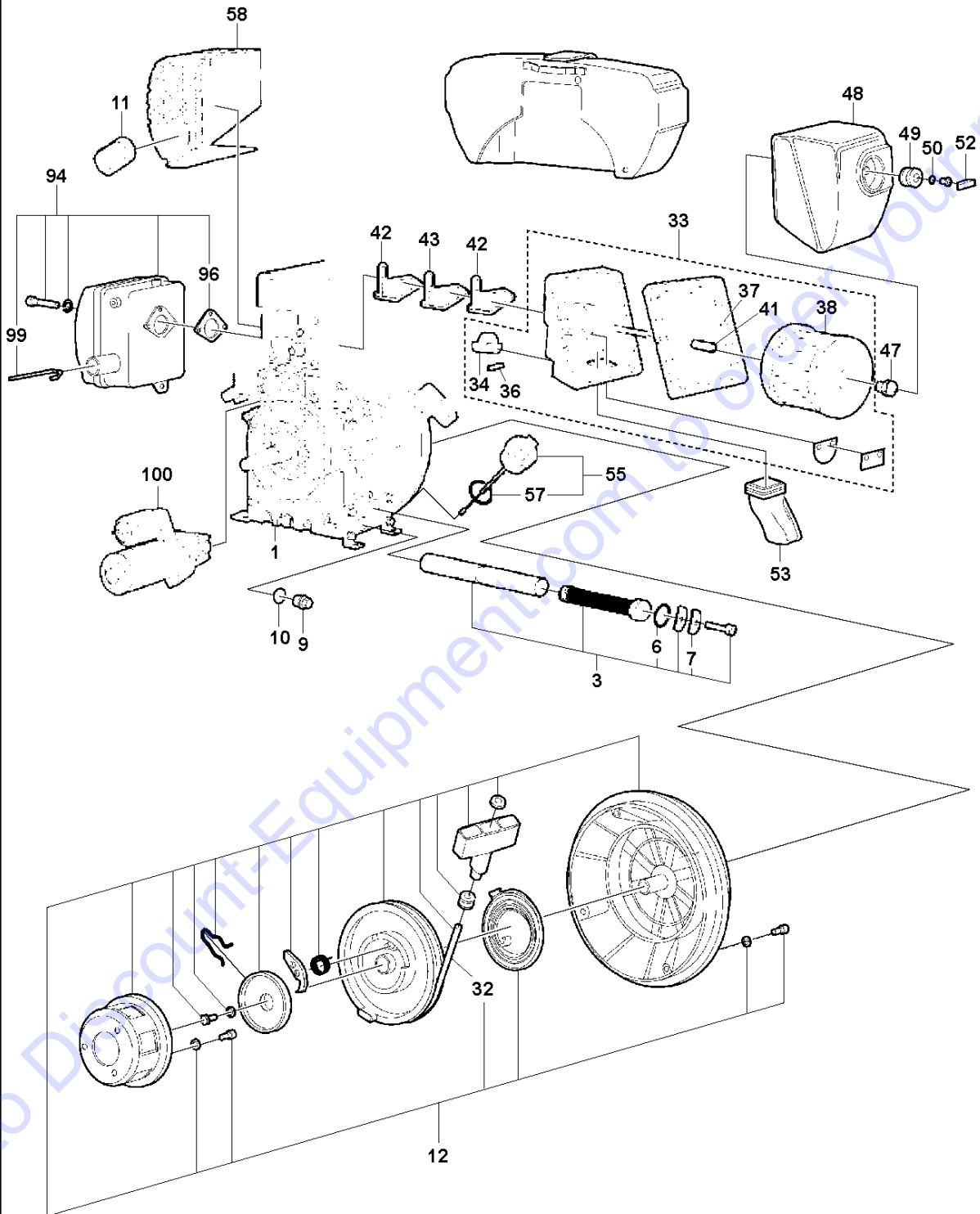
LG 300, 967855303, 967855306, 967855304, 967855307,

967855305, 967855301, 967855302, 2019-06

Ref	Part No	Description	Remark	QTY KIT
1	595 17 14-01	ENGINE	Diesel, manual	1
2	595 17 13-01	ENGINE	Diesel, electric	1
3	595 36 55-01	ENGINE	Diesel, Hatz 1B30 electric start, EPA-version (For US and Canada market)	
4	594 12 34-01	WASHER	8.4 x 16 x 1.5 mm, 0.33 x 0.63 x 0.06 in. 300 HV	9
5	594 11 79-01	SCREW	M8 x 20 mm 8.8 A2K	4
6	595 11 29-01	WASHER	8.4 x 26 x 4 mm, 0.33 x 1.02 x 0.16 in. 300 HV	1
7	595 03 34-01	SCREW	M8 x 25 mm 8.8 A2K	1
8	594 33 18-01	BELT		1
9	595 11 01-01	SCREW	M8 x 16 mm 8.8 A2K	5
10	594 96 19-01	V-BELT		1
11	595 18 66-01	ADAPTER		1
12	595 37 56-01	HYDRAULIC HOSE		1
13	595 45 25-01	PLUG		1
14	595 11 28-01	WASHER	13 x 30 x 4 mm, 0.51 x 1.18 x 0.16 in. 300 HV	1
15	594 11 90-01	BOLT	M6 x 20 mm 8.8 A2K	1
16	595 03 65-01	WASHER	6,4x12x1,5	2
17	595 18 86-01	CLAMP		1
18	595 17 64-01	DEFLECTOR		1
19	595 03 42-01	SCREW		2
20	594 43 16-01	CONTROL	Standard	1
21	594 43 17-01	BOX	Option	1
22	594 43 43-01	COVER		1
23	594 58 15-01	IGNITION SWITCH		1
24	594 58 11-01	KEY		1

Go to Discount-Equipment.com to order your parts

G LG 300
ENGINE - HATZ 1B30 - ELECTRIC START

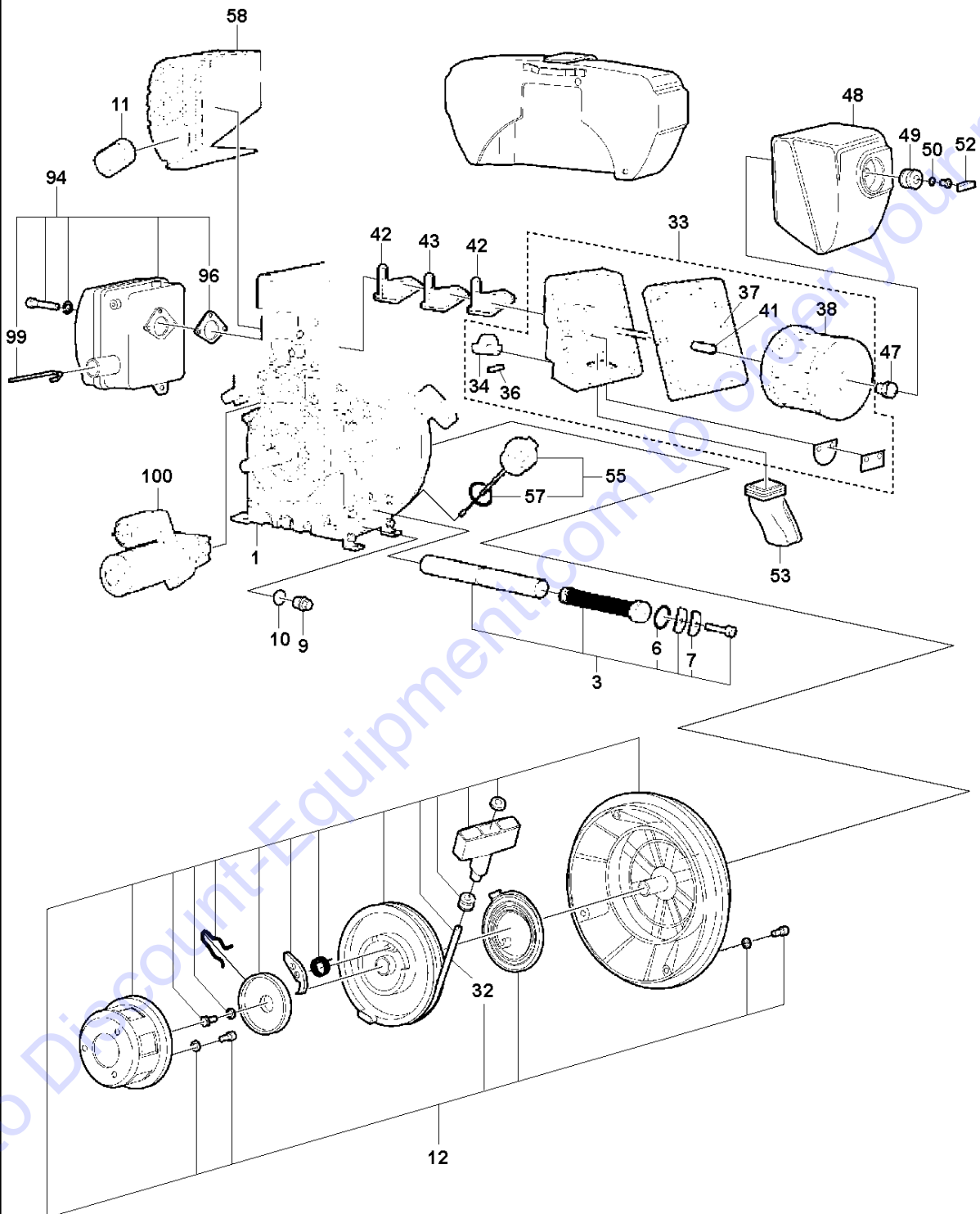


ENGINE - HATZ - ELECTRIC START LG 300, 967855303, 967855306, 967855304, 967855307, 967855305, 967855301, 967855302, 2019-06

Ref	Part No	Description	Remark	QTY	KIT
1	595 17 13-01	ENGINE	Hatz 1B30, Electric start	1	
3	594 57 01-01	STRAINER	Complete	1	
6	595 38 06-01	O-RING		1	3
7	595 38 07-01	LOCKWASHER		2	3
9	594 57 02-01	PLUG		1	
10	594 51 30-01	GASKET		1	
11	594 57 04-01	EXHAUST PIPE		1	
12	594 56 84-01	STARTER		1	
32	594 56 90-01	ROPE		1	12
33	595 38 22-01	AIR FILTER		1	
34	594 57 21-01	NIPPLE		1	33
36	595 38 08-01	SEALING		1	33
37	594 60 43-01	TRIM		1	33
38	595 37 73-01	FILTER		1	33
41	594 20 26-01	SLEEVE		1	33
42	594 57 20-01	GASKET		2	
43	595 47 02-01	GASKET		1	
47	594 57 12-01	NUT		1	
48	594 57 31-01	PROTECTIVE COVER		1	
49	594 57 14-01	SLEEVE		1	
50	595 38 09-01	SHIM		1	
52	594 57 15-01	NUT		1	
53	594 57 17-01	TUBE		1	
55	594 57 80-01	OIL		1	
57	594 60 55-01	O-RING		1	55
58	594 59 20-01	PROTECTIVE COVER		1	
94	594 59 53-01	MUFFLER		1	
96	594 57 33-01	GASKET		1	94
99	595 38 10-01	HOOK		1	94
100	594 58 52-01	STARTER		1	

Go to Discount-Equipment.com to order your parts

H LG 300
ENGINE - HATZ 1B30 - ELECTRIC START - EPA



ENGINE - HATZ - ELECTRIC START - EPA

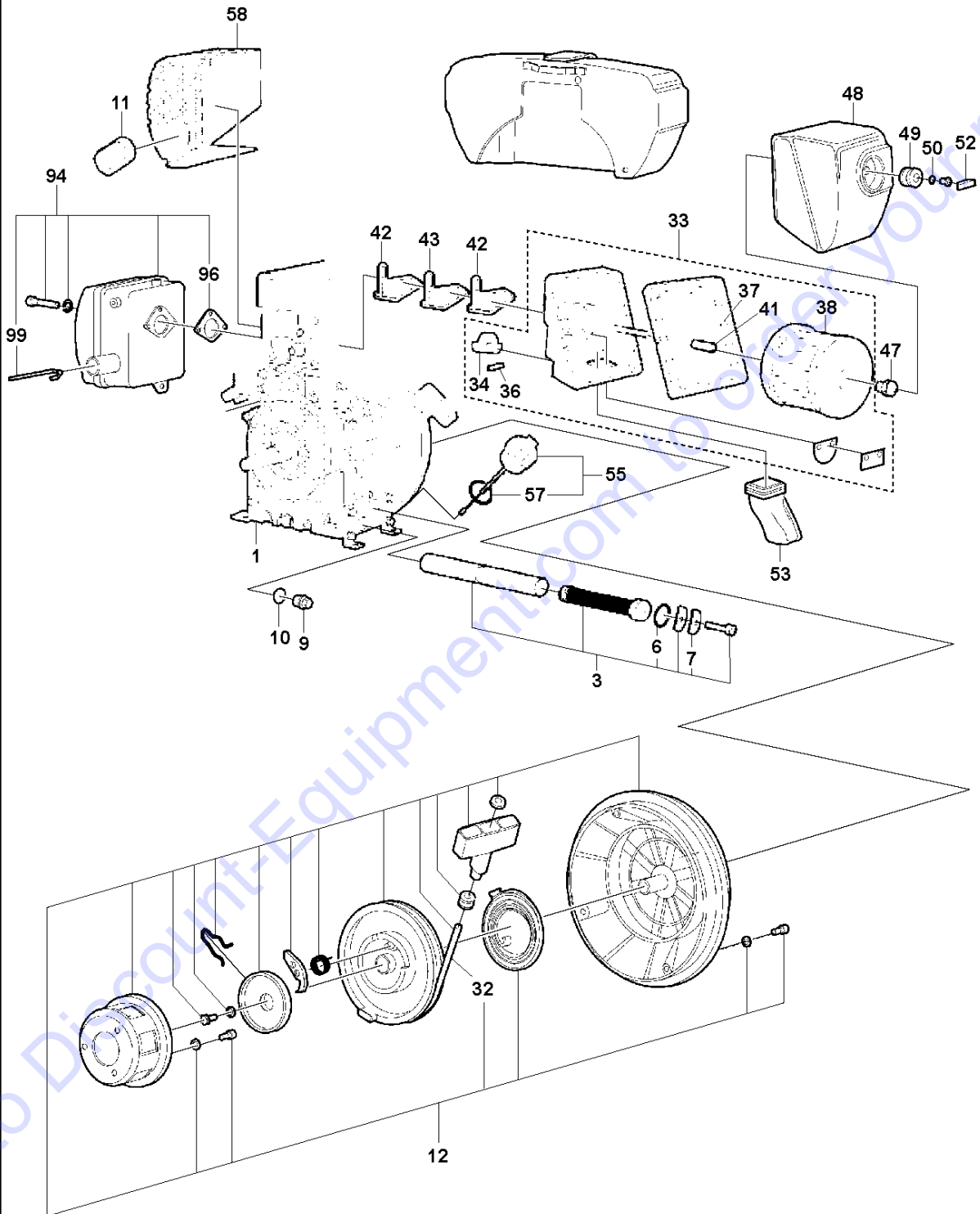
LG 300, 967855303, 967855306, 967855304,

967855307, 967855305, 967855301, 967855302, 2019-06

Ref	Part No	Description	Remark	QTY	KIT
1	595 36 55-01	ENGINE	Hatz 1B30, Electric start, EPA version	1	
3	594 57 01-01	STRAINER	Complete	1	
6	595 38 06-01	O-RING		1	3
7	595 38 07-01	LOCKWASHER		2	3
9	594 57 02-01	PLUG		1	
10	594 51 30-01	GASKET		1	
11	594 57 04-01	EXHAUST PIPE		1	
12	594 56 84-01	STARTER	Complete	1	
32	594 56 90-01	ROPE		1	12
33	595 38 22-01	AIR FILTER		1	
34	594 57 21-01	NIPPLE		1	33
36	595 38 08-01	SEALING		1	33
37	594 60 43-01	TRIM		1	33
38	595 37 73-01	FILTER		1	33
41	594 20 26-01	SLEEVE		1	33
42	594 57 20-01	GASKET		2	
43	595 47 02-01	GASKET		1	
47	594 57 12-01	NUT		1	
48	594 57 31-01	PROTECTIVE COVER		1	
49	594 57 14-01	SLEEVE		1	
50	595 38 09-01	SHIM		1	
52	594 57 15-01	NUT		1	
53	594 57 17-01	TUBE		1	
55	594 57 80-01	OIL		1	
57	594 60 55-01	O-RING		1	55
58	594 59 20-01	PROTECTIVE COVER		1	
94	594 59 53-01	MUFFLER		1	
96	594 57 33-01	GASKET		1	94
99	595 38 10-01	HOOK		1	94
100	594 58 52-01	STARTER		1	

Go to Discount-Equipment.com to order your parts

J LG 300
ENGINE - HATZ 1B30 - MANUAL START



ENGINE - HATZ - MANUAL START LG 300, 967855303, 967855306, 967855304, 967855307,
 967855305, 967855301, 967855302, 2019-06

Ref	Part No	Description	Remark	QTY	KIT
1	595 17 14-01	ENGINE	Hatz 1B30, Manual start	1	
3	594 57 01-01	STRAINER	Complete	1	
6	595 38 06-01	O-RING		1	3
7	595 38 07-01	LOCKWASHER		2	3
9	594 57 02-01	PLUG		1	
10	594 51 30-01	GASKET		1	
11	594 57 04-01	EXHAUST PIPE		1	
12	594 56 84-01	STARTER	Complete	1	
32	594 56 90-01	ROPE		1	
33	595 38 22-01	AIR FILTER		1	
34	594 57 21-01	NIPPLE		1	33
36	595 38 08-01	SEALING		1	33
37	594 60 43-01	TRIM		1	33
38	595 37 73-01	FILTER		1	33
41	594 20 26-01	SLEEVE		1	33
42	594 57 20-01	GASKET		2	
43	595 47 02-01	GASKET		1	
47	594 57 12-01	NUT		1	
48	594 57 31-01	PROTECTIVE COVER		1	
49	594 57 14-01	SLEEVE		1	
50	595 38 09-01	SHIM		1	
52	594 57 15-01	NUT		1	
53	594 57 17-01	TUBE		1	
55	594 57 80-01	OIL		1	
57	594 60 55-01	O-RING		1	55
58	594 59 20-01	PROTECTIVE COVER		1	
94	594 59 53-01	MUFFLER		1	
96	594 57 33-01	GASKET		1	94
99	595 38 10-01	HOOK		1	94

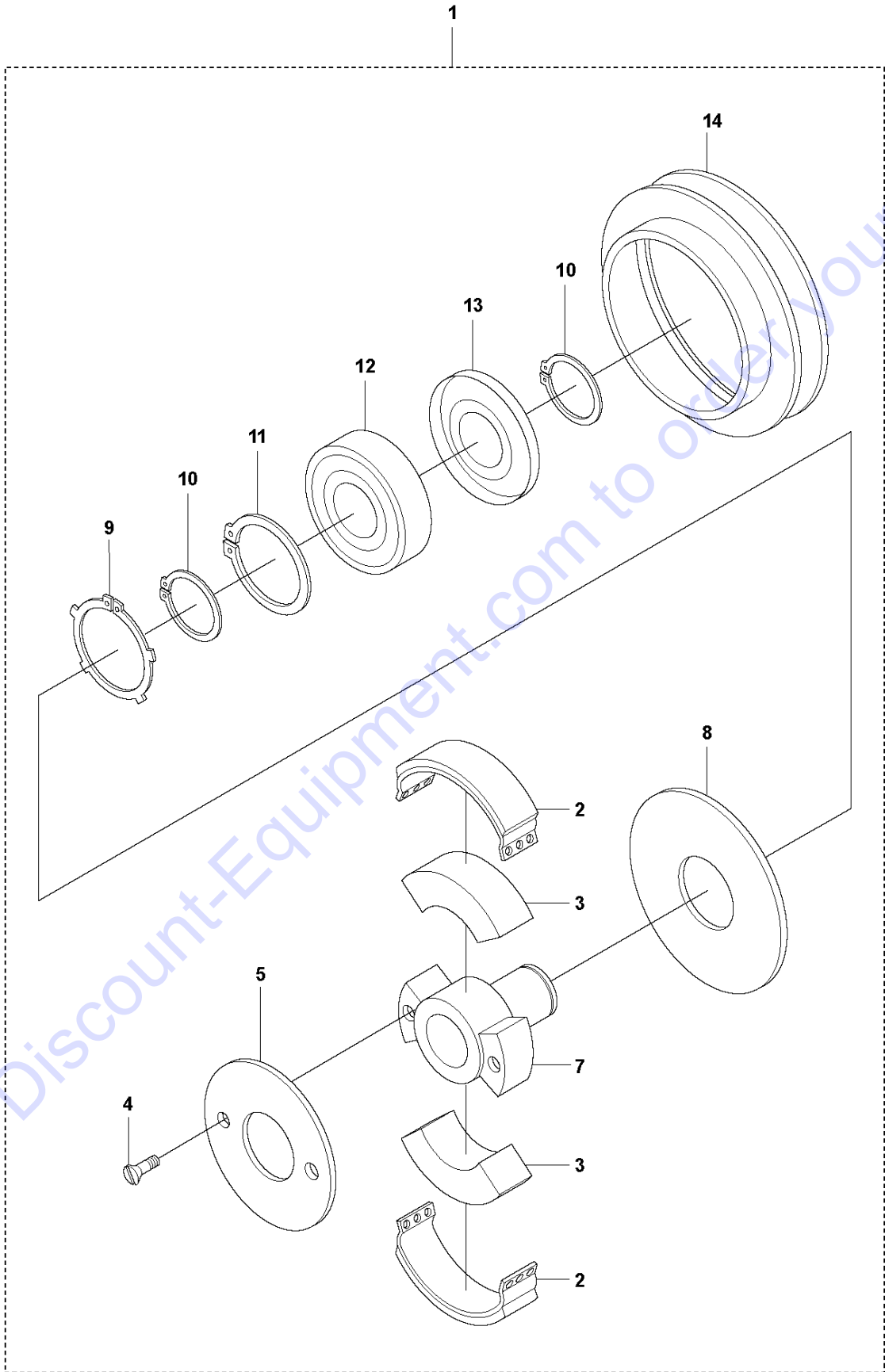
Go to Discount-Equipment.com to order your parts

FUEL TANK - HATZ LG 300, 967855303, 967855306, 967855304, 967855307, 967855305,
967855301, 967855302, 2019-06

Ref	Part No	Description	Remark	QTY	KIT
1	594 58 48-01	FUEL TANK	Complete	1	1
2	594 56 61-01	FUEL CAP	Complete	1	1
5	595 38 12-01	CIRCLIP		1	1
6	594 20 35-01	WIRE		1	1
7	595 37 74-01	FUEL FILTER		1	1
10	594 56 70-01	GASKET		1	1, 7
11	595 38 26-01	FUEL HOSE		1	1
12	594 56 63-01	VALVE		1	1
13	594 56 76-01	HOSE CLAMP		1	1
14	594 56 64-01	ADAPTER		1	1
15	594 56 65-01	GASKET		2	1
16	595 19 16-01	SEALING		1	1
17	594 56 70-01	GASKET		1	1
18	594 56 71-01	PIPE		1	1
21	594 60 52-01	NIPPLE		1	1, 7
22	595 19 27-01	NIPPLE		1	1
23	595 13 17-01	NIPPLE		1	1
25	594 20 33-01	SCREW		1	1
26	594 20 32-01	NIPPLE		1	
27	594 20 31-01	CLAMP		1	
28	594 58 32-01	WATER SEPARATOR	Complete	1	
33	594 58 32-01	WATER SEPARATOR	Complete	1	

Go to Discount-Equipment.com to order your parts

L LG 300
CENTRIFUGAL CLUTCH - HONDA

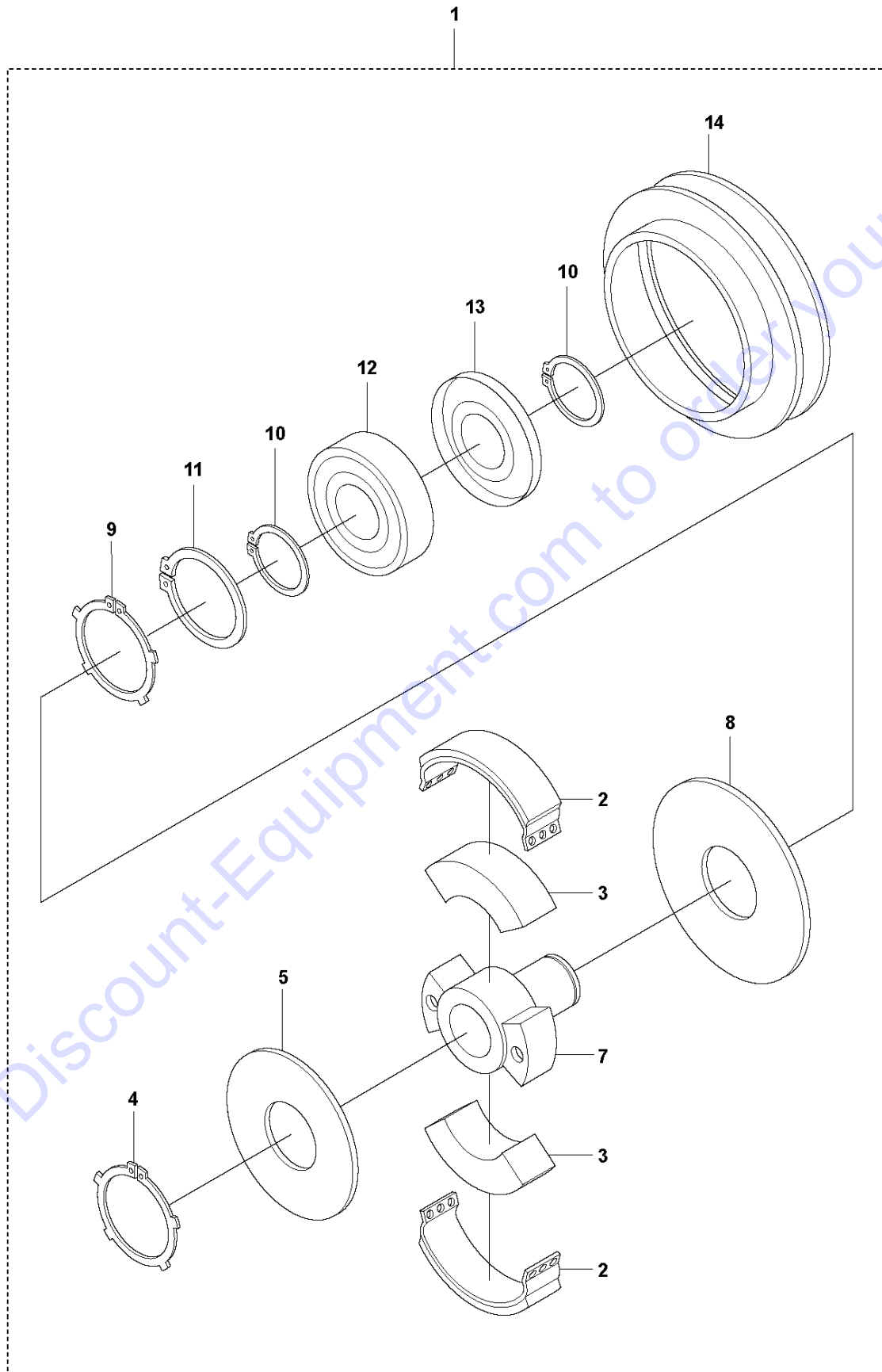


CENTRIFUGAL CLUTCH - HONDA LG 300, 967855303, 967855306, 967855304, 967855307,
967855305, 967855301, 967855302, 2019-06

Ref	Part No	Description	Remark	QTY	KIT
1	594 43 07-01	CLUTCH	complete	1	
2	594 60 53-01	CLUTCH	Clutch lining	2	1
3	594 30 14-01	WEIGHT	Clutch weight	2	1
4	595 05 93-01	SCREW		2	1
5	594 14 76-01	CLUTCH COVER		1	1
7	594 60 51-01	HUB		1	1
8	594 31 31-01	COVER		1	1
9	594 30 88-01	RING		1	1
10	594 58 45-01	RING		2	1
11	594 58 44-01	RING		1	1
12	594 58 43-01	BALL BEARING		1	1
13	594 26 37-01	RING		1	1
14	594 60 50-01	V-BELT		1	1

Go to Discount-Equipment.com to order your parts

M LG 300
CENTRIFUGAL CLUTCH - HONDA

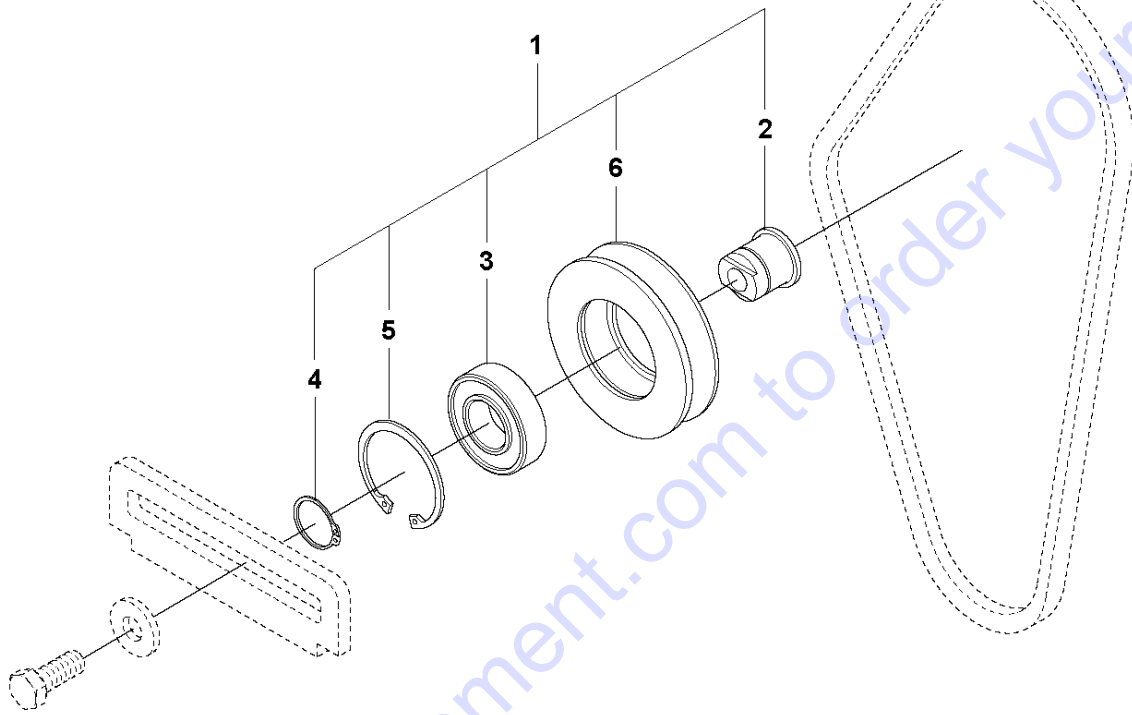


CENTRIFUGAL CLUTCH - HATZ LG 300, 967855303, 967855306, 967855304, 967855307,
967855305, 967855301, 967855302, 2019-06

Ref	Part No	Description	Remark	QTY	KIT
1	594 43 10-01	CENTRIFUGAL CLUTCH	Complete	1	1
2	595 19 28-01	CLUTCH	Clutch lining	2	1
3	594 30 14-01	WEIGHT	Clutch weight	2	1
4	594 31 19-01	RING		1	1
5	594 31 23-01	COVER		1	1
7	594 57 23-01	HUB		1	1
8	594 31 31-01	COVER		1	1
9	594 30 88-01	RING		1	1
10	594 58 45-01	RING		2	1
11	594 58 44-01	RING		1	1
12	594 58 43-01	BALL BEARING		1	1
13	594 26 37-01	RING		1	1
14	594 57 22-01	NUT		1	1

Go to Discount-Equipment.com to order your parts

N LG 300
BELT TIGHTENER



BELT TIGHTENER LG 300, 967855303, 967855306, 967855304, 967855307, 967855305,
967855301, 967855302, 2019-06

Ref	Part No	Description	Remark	QTY	KIT
1	594 32 79-01	BELT		1	
2	594 32 81-01	SHAFT		1	1
3	595 04 50-01	BEARING		1	1
4	595 04 12-01	O-RING		1	1
5	594 12 50-01	CIRCLIP		1	1
6	594 32 80-01	BELT		1	1

Go to Discount-Equipment.com to order your parts

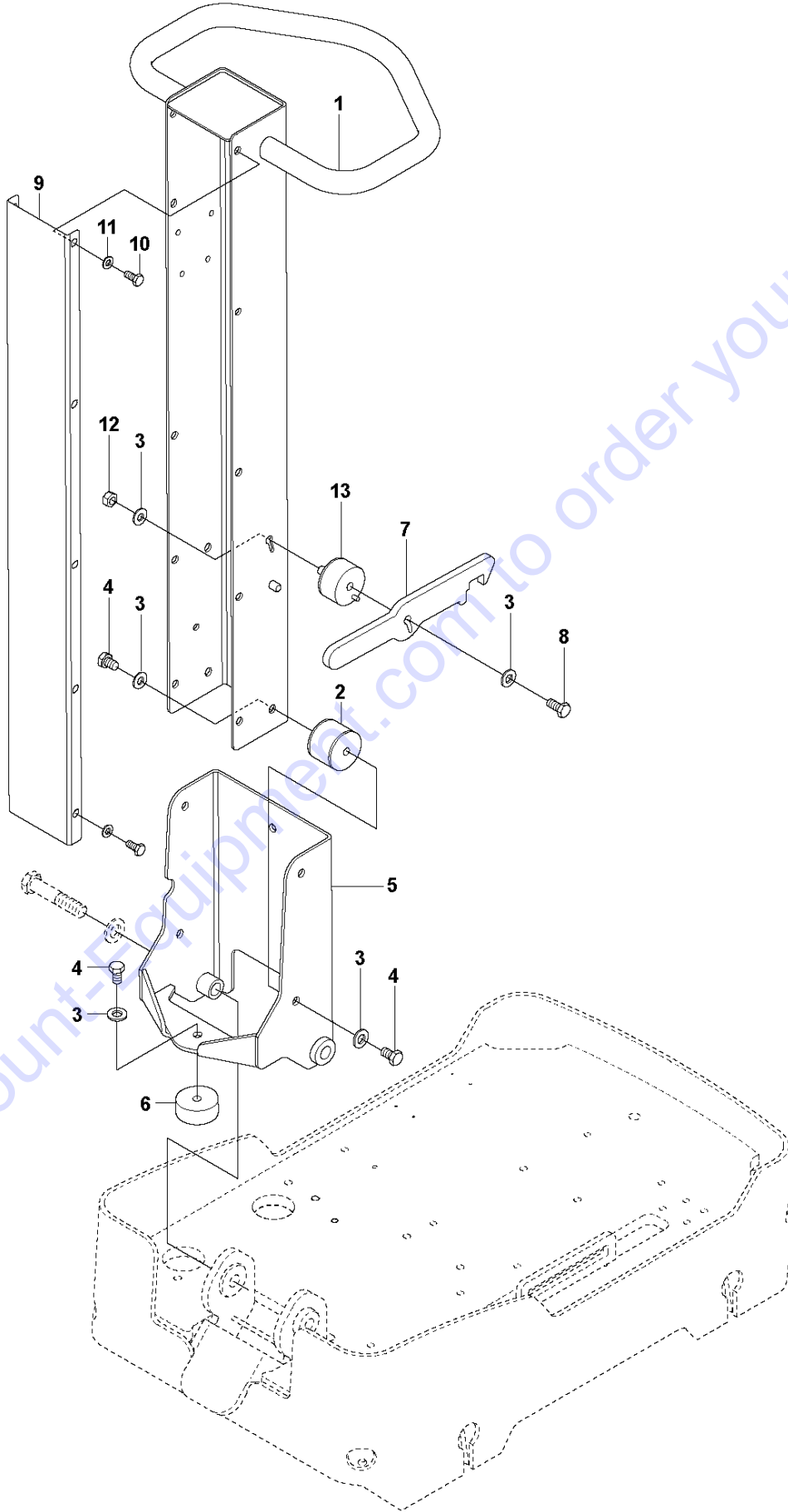
HYDRAULIC SYSTEM LG 300, 967855303, 967855306, 967855304, 967855307, 967855305,
967855301, 967855302, 2019-06

Ref	Part No	Description	Remark	QTY KIT	
1	594 42 62-01	HYDRAULIC TANK	Complete	1	
3	594 44 55-01	AIR FILTER		1	1
4	594 44 54-01	FILTER HOLDER		1	1
5	594 83 88-01	SCREW	K50 x 12 mm Type KX-PT	2	1
6	594 44 31-01	COVER	With dipstick	1	1
7	594 12 34-01	WASHER	8,4x22x3	1	1
8	595 03 34-01	SCREW	M8x25 mm 8.8 A2K	1	1
9	595 04 73-01	O-RING		1	1
10	594 11 85-01	BOLT	M10 x 30 mm 8.8 A3K	4	
11	594 74 74-01	WASHER	10.5 x 22 x 2 mm, 0.41 x 0.87 x 0.08 in. 300 HV	4	
12	594 42 60-01	ADAPTER		1	
13	595 16 07-01	HOSE CLAMP		1	
14	594 42 61-01	ADAPTER		1	
15	595 45 47-01	CLAMP		1	
16	594 43 62-01	HYDRAULIC HOSE		1	
17	594 43 80-01	HYDRAULIC HOSE		1	
18	595 05 35-01	HOSE		1	
19	594 49 76-01	HYDRAULIC HOSE		1	
20	595 06 30-01	CONNECTOR		2	
21	594 32 43-01	PROTECTIVE COVER		1	
22	594 52 37-01	ELBOW		1	
23	594 45 53-01	PUMP		1	
24	595 03 65-01	WASHER	6.4 x 12 x 1.5 mm, 0.25 x 0.47 x 0.06 in. 300 HV	1	
25	595 03 43-01	SCREW	M6 x 20 mm 8.8 A2K	2	
27	594 54 89-01	GEAR		1	
29	595 05 42-01	SCREW		4	
30	594 14 74-01	BRACKET		2	
31	594 32 40-01	BLOCK		2	
32	595 18 14-01	NUT	M8	2	
33	595 35 23-01	NUT	8.4 x 16 x 1.5 mm, 0.33 x 0.63 x 0.06 in. 300 HV	4	
34	595 03 65-01	WASHER	6.4 x 12 x 1.5 mm, 0.25 x 0.47 x 0.06 in. 300 HV	2	
35	595 05 58-01	SCREW	M6 x 55 mm 8.8 A2K	2	
36	594 51 86-01	ADAPTER		3	
37	595 03 60-01	LOCK NUT	M6 x 1 mm A2K	1	
38	594 34 76-01	VALVE	Complete	1	
53	595 11 26-01	NUT		1	
54	595 03 57-01	NUT		1	
55	594 47 84-01	ROD		1	
56	594 53 28-01	HANDLE		1	

Go to Discount Equipment.com to order your parts

HANDLE LG 300, 967855303, 967855306, 967855304, 967855307, 967855305, 967855301, 967855302, 2019-06

Q LG 300
HANDLE



HANDLE LG 300, 967855303, 967855306, 967855304, 967855307, 967855305, 967855301, 967855302, 2019-06

Ref	Part No	Description	Remark	QTY KIT
1	594 14 67-01	HANDLE		1
2	594 14 75-01	ABSORBER		4
3	594 74 74-01	WASHER	10.5 x 22 x 2 mm, 0.41 x 0.87 x 0.08 in. 300 HV	11
4	595 34 46-01	SCREW	M10 x 16 mm 8.8 A3K	9
5	594 14 68-01	BRACKET		1
6	594 51 83-01	RADIATOR		1
7	594 43 41-01	HOOK		1
8	594 11 84-01	SCREW	M10 x 20 mm 8.8 A3K	1
9	594 14 79-01	COVER		1
10	595 11 01-01	SCREW	M8 x 16 mm 8.8 A2K	10
11	594 12 34-01	WASHER	8,4x22x3	10
12	595 02 94-01	NUT	M10 A3K	1
13	594 46 27-01	ABSORBER		1

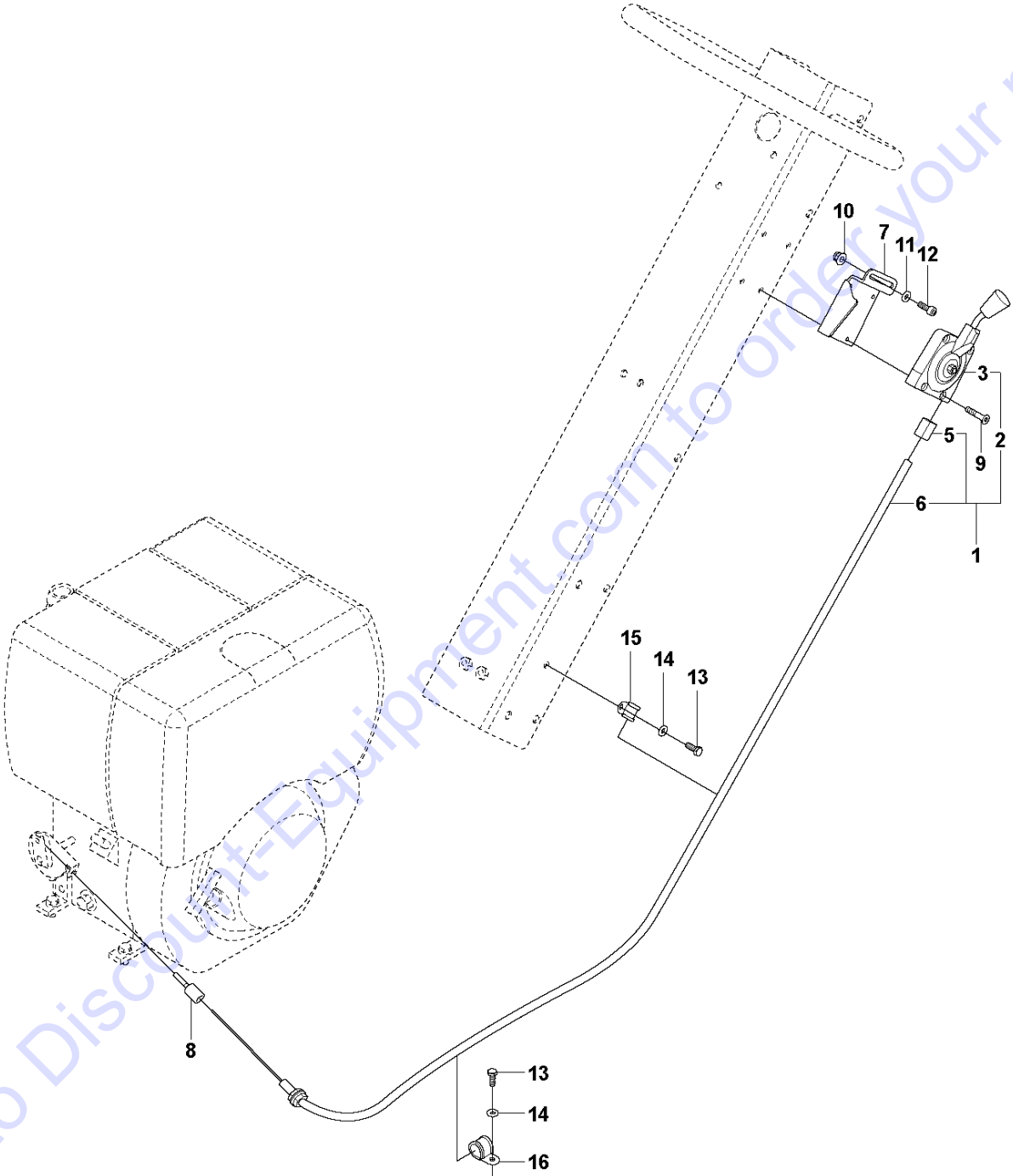
Go to Discount-Equipment.com to order your parts

THROTTLE CONTROL - HONDA LG 300, 967855303, 967855306, 967855304, 967855307,
967855305, 967855301, 967855302, 2019-06

Ref	Part No	Description	Remark	QTY	KIT
1	594 35 76-01	THROTTLE CONTROL	Complete	1	
2	594 49 07-01	LEVER		1	1
3	595 06 81-01	KNOB		1	1
5	594 29 71-01	CABLE		1	1
6	594 35 72-01	CABLE		1	1
7	594 35 48-01	BRACKET		1	
8	596 89 13-02	PIPE CLAMP		1	
9	594 74 71-01	SCREW	M5 x 30 mm A2-70	4	
10	595 11 26-01	NUT	M6 x 1 mm A2K	1	
11	594 48 57-01	SPACER		1	
12	595 03 42-01	SCREW	M6 x 20 mm 8.8 A2K	1	
13	595 03 32-01	SCREW	M6 x 16 mm 8.8 A2K	1	
14	595 03 65-01	WASHER	r6,4x12x1,5	1	
15	595 46 84-01	CLAMP		1	

Go to Discount-Equipment.com to order your parts

S LG 300
THROTTLE CONTROL - HATZ - NON EPA



THROTTLE CONTROL - HATZ

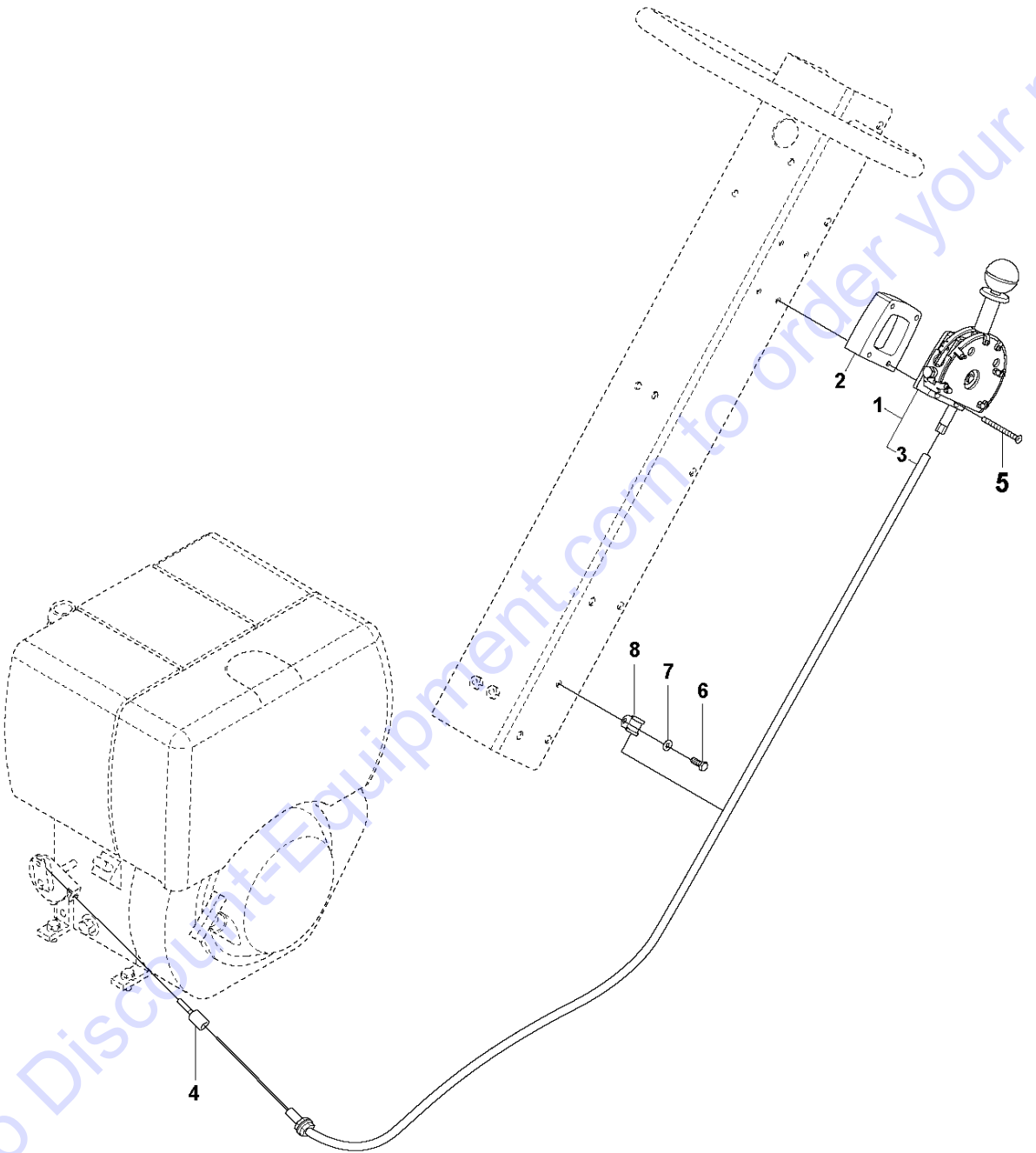
LG 300, 967855303, 967855306, 967855304, 967855307,

967855305, 967855301, 967855302, 2019-06

Ref	Part No	Description	Remark	QTY KIT	
1	594 43 64-01	THROTTLE CONTROL	Complete	1	
2	594 49 07-01	LEVER		1	1
3	595 06 81-01	KNOB		1	1
5	594 29 71-01	CABLE		1	1
6	594 43 63-01	CABLE		1	1
7	594 35 48-01	BRACKET		1	
8	594 35 21-01	NIPPLE		1	
9	594 74 71-01	SCREW	M5 x 30 mm A2-70	4	
10	595 11 26-01	NUT	M6 x 1 mm A2K	1	
11	594 48 57-01	SPACER		1	
12	595 03 42-01	SCREW	M6 x 20 mm 8.8 A2K	1	
13	595 03 32-01	SCREW	M6 x 16 mm 8.8 A2K	2	
14	595 03 65-01	WASHER	6.4 x 12 x 1.5 mm, 0.25 x 0.47 x 0.06 in. 300 HV	2	
15	595 46 84-01	CLAMP		1	
16	595 18 83-01	CLAMP		1	

Go to Discount-Equipment.com to order your parts

T LG 300
THROTTLE CONTROL - HATZ - EPA

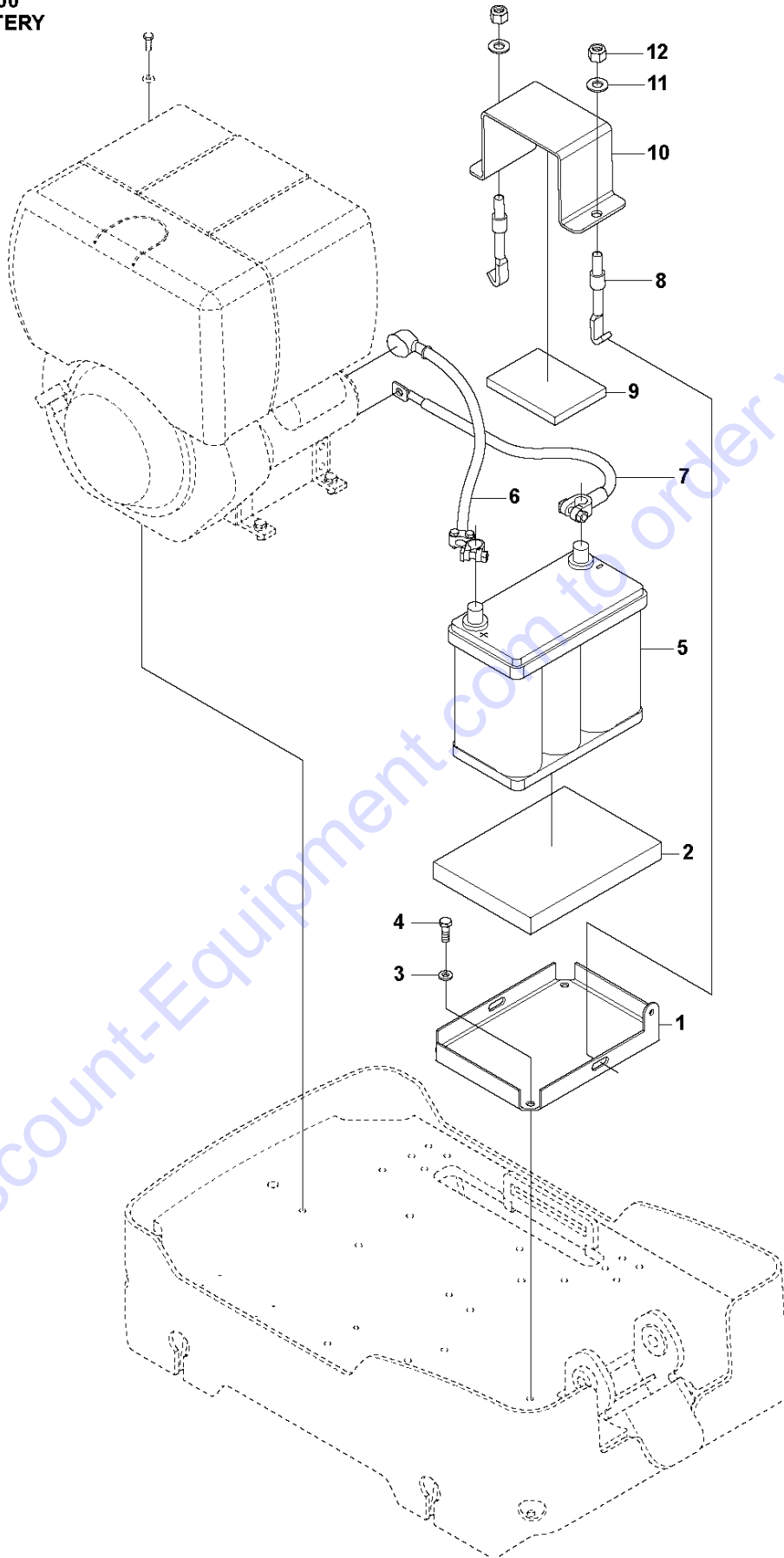


THROTTLE CONTROL - HATZ - EPA LG 300, 967855303, 967855306, 967855304, 967855307,
 967855305, 967855301, 967855302, 2019-06

Ref	Part No	Description	Remark	QTY	KIT
1	594 17 59-01	THROTTLE CONTROL	Complete	1	
2	595 37 59-01	SPACER		1	
3	595 13 22-01	THROTTLE CABLE		1	1
4	594 35 21-01	NIPPLE		1	
5	595 35 00-01	SCREW	Hex screw M5x55	4	
6	595 03 32-01	SCREW	M6 x 16 mm 8.8 A2K	1	
7	595 03 65-01	WASHER		1	
8	595 46 84-01	CLAMP		1	

Go to Discount-Equipment.com to order your parts

U LG 300
BATTERY



Go to Discount-Equipment.com to order your parts

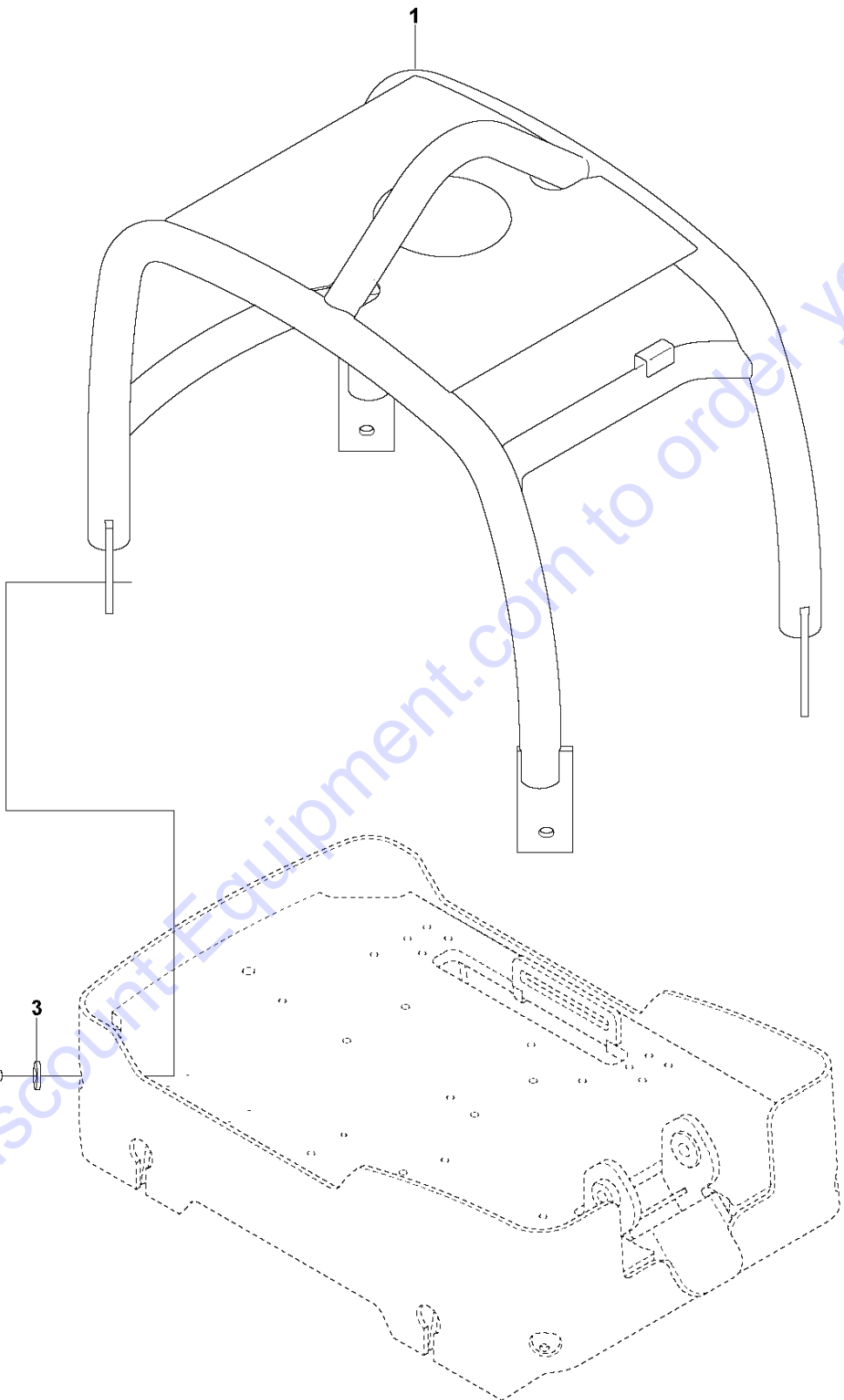
BATTERY LG 300, 967855303, 967855306, 967855304, 967855307, 967855305, 967855301, 967855302, 2019-06

Ref	Part No	Description	Remark	QTY KIT
1	595 17 22-01	PLATE		1
2	595 17 19-01	ABSORBER		1
3	595 03 66-01	WASHER	8.4 x16 x1.5 mm, 0.33 x 0.63 x 0.06 in. 300 HV	4
4	594 11 79-01	SCREW	M8 x 25 mm 8.8 A2K	4
5	594 43 35-01	BATTERY		1
6	595 18 43-01	CABLE	Cable +	1
7	595 18 40-01	CABLE	Cable -	1
8	594 48 41-01	SCREW		2
9	594 43 49-01	INSULATION		1
10	594 48 40-01	HOLDER		1
11	595 06 68-01	WASHER	13 x 24 x 2 mm, 0.51 x 0.98 x 0.08 in. 300 HV	2
12	595 11 27-01	NUT	M12X20H 8.8 A3K	2

Go to Discount-Equipment.com to order your parts

FRAME - HONDA LG 300, 967855303, 967855306, 967855304, 967855307, 967855305, 967855301, 967855302, 2019-06

V LG 300
FRAME - HONDA



Go to DiscountEquipment.com to order your parts

FRAME - HONDA LG 300, 967855303, 967855306, 967855304, 967855307, 967855305, 967855301, 967855302, 2019-06

Ref	Part No	Description	Remark	QTY KIT
1	595 27 62-01	FRAME		1
2	595 17 96-01	SCREW	M12x40 mm 8.8	4
3	595 06 65-01	WASHER	Steel	4

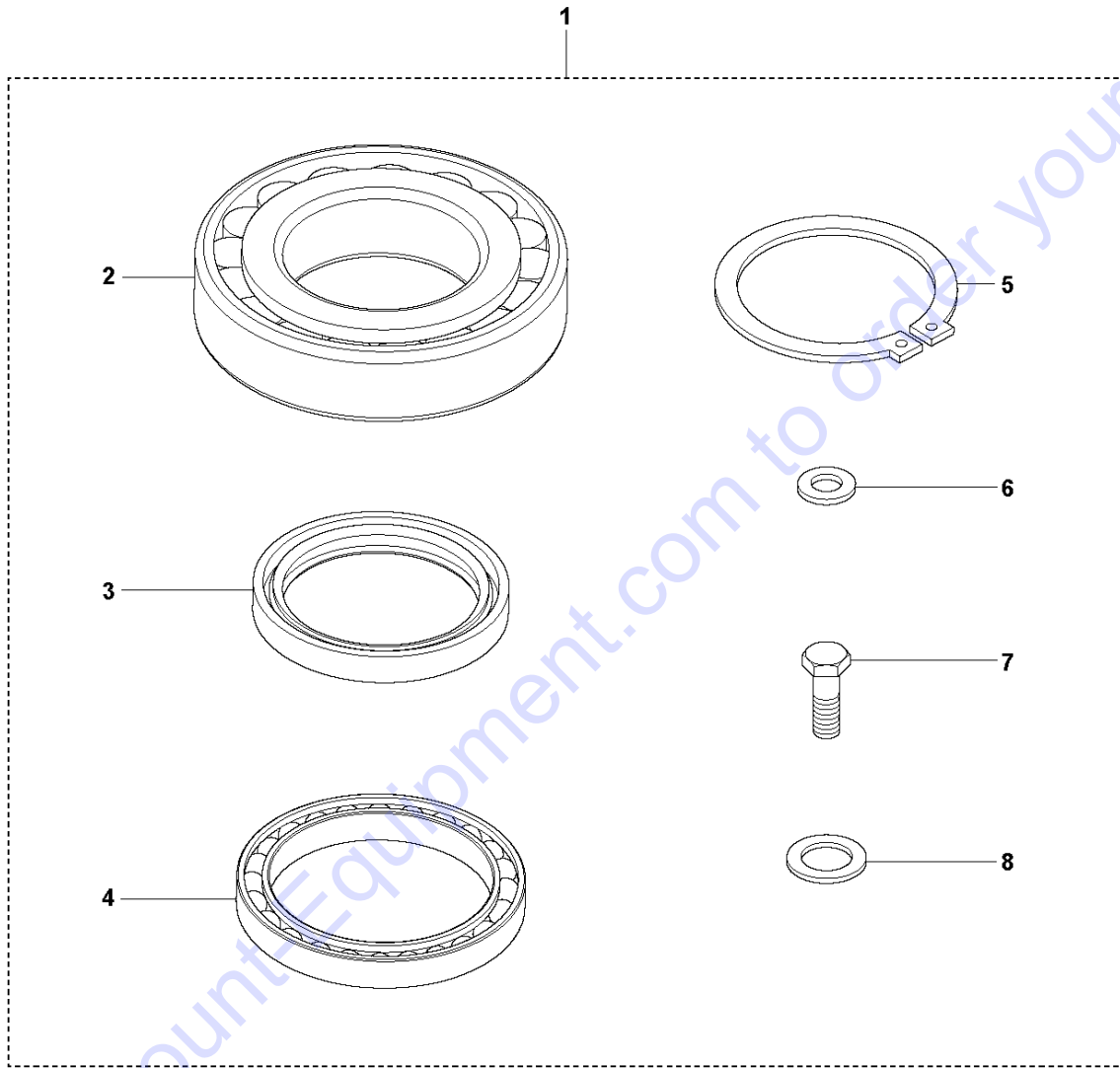
Go to Discount-Equipment.com to order your parts

FRAME AND HOODS - HATZ LG 300, 967855303, 967855306, 967855304, 967855307, 967855305, 967855301, 967855302, 2019-06

Ref	Part No	Description	Remark	QTY KIT
1	594 14 66-01	FRAME		1
2	594 53 49-01	SCREW	M6 x 16	8
3	595 06 64-01	SCREW	M6 x 16	6
4	595 03 65-01	WASHER	6.4 x 12 x 1.5 mm, 0.25 x 0.47 x 0.06 in. 300 HV	1
5	594 53 51-01	WASHER	6 x 18 x 2 mm, 0.24 x 0.71 x 0.08 in. 300 HV	5
6	594 43 72-01	ROD		1
7	595 27 63-01	HOOD		1
8	594 43 38-01	CLIP		1
9	594 43 46-01	ABSORBER		1
10	594 43 68-01	HOLDER		1
11	595 99 58-01	SCREW	M6 x 10 mm A2-70	3
12	594 52 35-01	SCREW	K50 x 18 mm	2
13	595 06 28-01	WASHER	25 mm Type S3	14
14	594 44 68-01	HINGE		2
15	595 03 32-01	SCREW	M6 x 16 mm A2-70	8
16	594 47 86-01	ABSORBER		1
17	595 27 64-01	HOOD		1
18	594 43 47-01	ABSORBER		1
19	594 43 48-01	ABSORBER		1
20	595 17 18-01	HOLDER		1
21	595 18 83-01	CLAMP		2
22	595 10 98-01	SCREW	M6 x 16 mm 8.8 A2K	6
23	595 17 63-01	BRACKET		1
24	595 03 65-01	WASHER	6.4 x 12 x 1.5 mm, 0.25 x 0.47 x 0.06 in. 300 HV	4
25	595 11 26-01	NUT	M6 ISO7040	2
26	594 11 81-01	SCREW	M8 x 60 mm 8.8 A2K	4
27	595 12 03-01	COVER		1
28	594 52 35-01	SCREW	K50 x 18 mm	4
29	595 03 66-01	WASHER	8.4 x 16 x 1.5 mm, 0.33 x 0.63 x 0.06 in. 300 HV	4
30	594 12 09-01	BOLT	M12 x 40 mm 8.8 A3K	4
31	595 11 28-01	WASHER	13 x 30 x 4 mm, 0.51 x 1.18 x 0.16 in. 300 HV	4

Go to Discount-Equipment.com to order your parts

X LG 300
ECCENTRIC ELEMENT REPAIR KIT



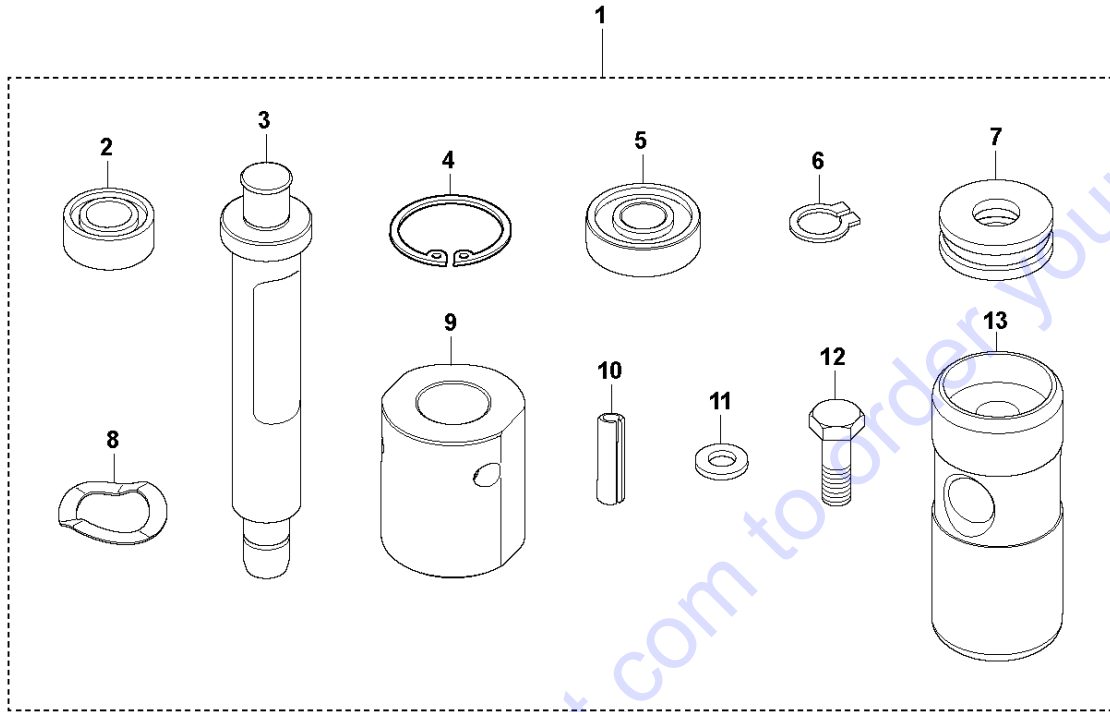
Go to DiscountEquipment.com to order your parts

ECCENTRIC ELEMENT REPAIR KIT LG 300, 967855303, 967855306, 967855304, 967855307, 967855305, 967855301, 967855302, 2019-06

Ref	Part No	Description	Remark	QTY KIT
1	594 19 67-01	REPAIR KIT	Eccentric element repair kit	1
2	594 53 11-01	ROLLER BEARING		4
3	594 54 74-01	SEALING		1
4	594 55 05-01	BALL BEARING		2
5	595 11 41-01	CIRCLIP		4
6	595 03 65-01	WASHER	6.4 x 12 x 1.5 mm, 0.25 x 0.47 x 0.06 in. 300 HV	16
7	595 10 98-01	SCREW	M6 x 20 mm 8.8 A2K	16
8	594 51 21-01	WASHER	Copper washer, 16.7 x 24 x 1.5 mm, 0.66 x 0.94 x 0.06 in. TYPE A, M16	1

Go to Discount-Equipment.com to order your parts

Y LG 300
FORWARD AND REVERSE PISTON REPAIR KIT

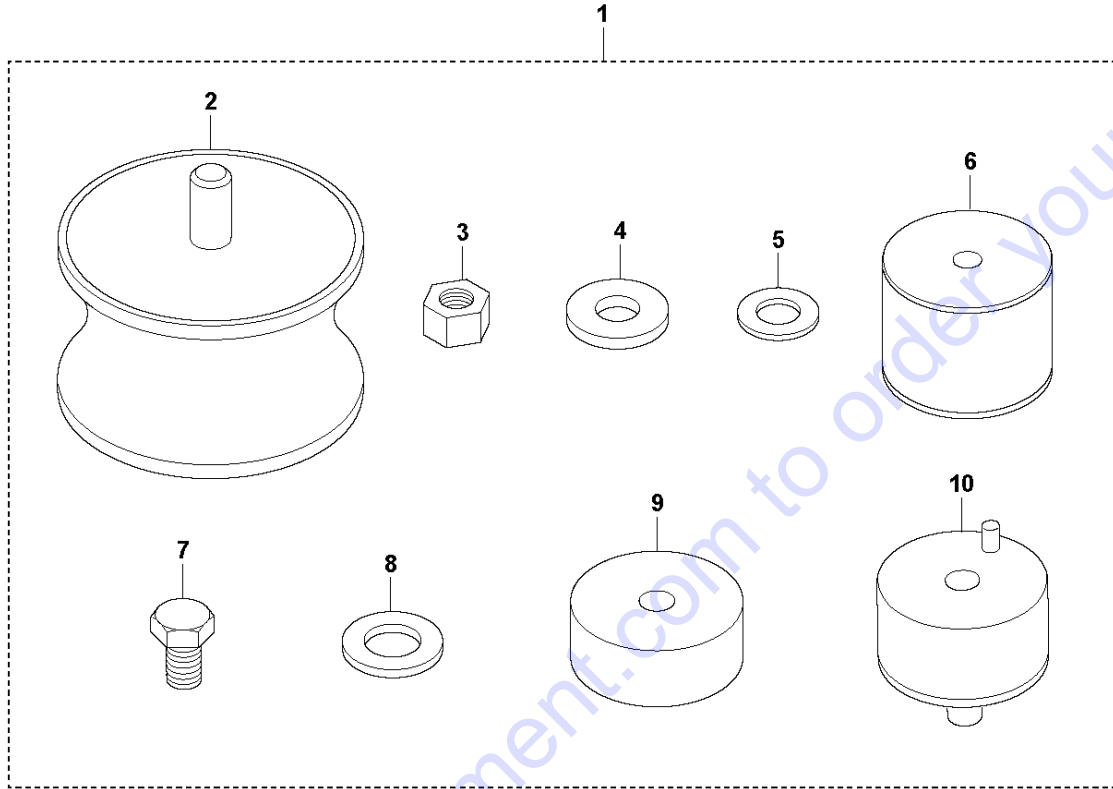


FORWARD & REVERSE PISTON REPAIR KIT LG 300, 967855303, 967855306, 967855304,
 967855307, 967855305, 967855301, 967855302, 2019-06

Ref	Part No	Description	Remark	QTY KIT	
1	594 19 65-01	REPAIR KIT	Forward and reverse piston repair kit	1	1
2	594 33 22-01	SEALING		1	1
3	594 64 33-01	PISTON ROD		1	1
4	594 26 64-01	RING	Retainer ring	1	1
5	594 64 75-01	BALL BEARING	Ball, radial	1	1
6	594 26 56-01	RING		1	1
7	594 64 76-01	BALL BEARING	Trust ball	1	1
8	594 64 77-01	SPRING WASHER	Spring	1	1
9	594 64 50-01	CAP		1	1
10	595 03 11-01	PIN		1	1
11	595 03 65-01	WASHER	6.4 x 12 x 1.5 mm 0.25 x 0.47 x 0.06 in. 300 HV	4	1
12	595 10 98-01	SCREW	M6 x 20 mm 8.8 A2K	4	1
13	594 64 35-01	PISTON		1	1

Go to Discount-Equipment.com to order your parts

Z LG 300
SHOCK ABSORBER REPAIR KIT



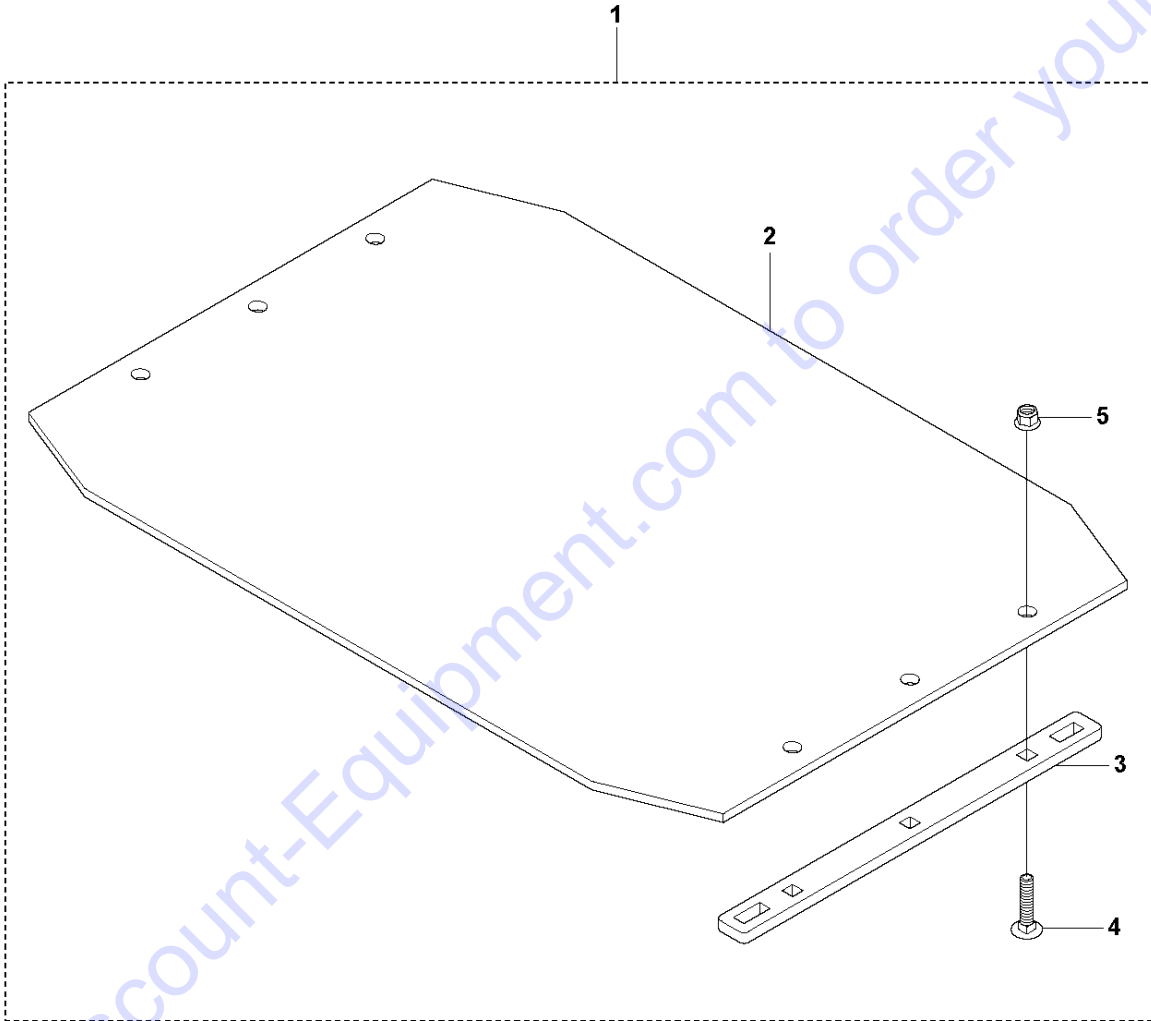
Go to Discount-Equipment.com to order your parts

SHOCK ABSORBER REPAIR KIT LG 300, 967855303, 967855306, 967855304, 967855307,
967855305, 967855301, 967855302, 2019-06

Ref	Part No	Description	Remark	QTY KIT	
1	594 19 62-01	REPAIR KIT	Shock absorber repair kit	1	
2	594 32 70-01	ABSORBER		4	1
3	595 35 18-01	NUT	M12 A3K	8	1
4	595 11 28-01	WASHER	13 x 30 x 4 mm, 0.51 x 1.18 x 0.16 in. 300 HV	4	1
5	595 06 68-01	WASHER	13 x 24 x 2 mm, 0.51 x 0.94 x 0.08 in. 300 HV	4	1
6	594 14 75-01	ABSORBER		4	1
7	595 34 46-01	SCREW	M10 x 16 mm 8.8 A3K	4	1
8	594 74 74-01	WASHER	10.5 x 22 x 2 mm, 0.41 x 0.87 x 0.08 in. 300 HV	4	1
9	594 51 83-01	RADIATOR		1	1
10	594 46 27-01	ABSORBER		1	1

Go to Discount-Equipment.com to order your parts

AA LG 300
BLOCK PAVING PLATE 500 MM (19.7")



Go to Discount-Equipment.com to order your parts

BLOCK PAVING PLATE KIT 500 MM (19.7")

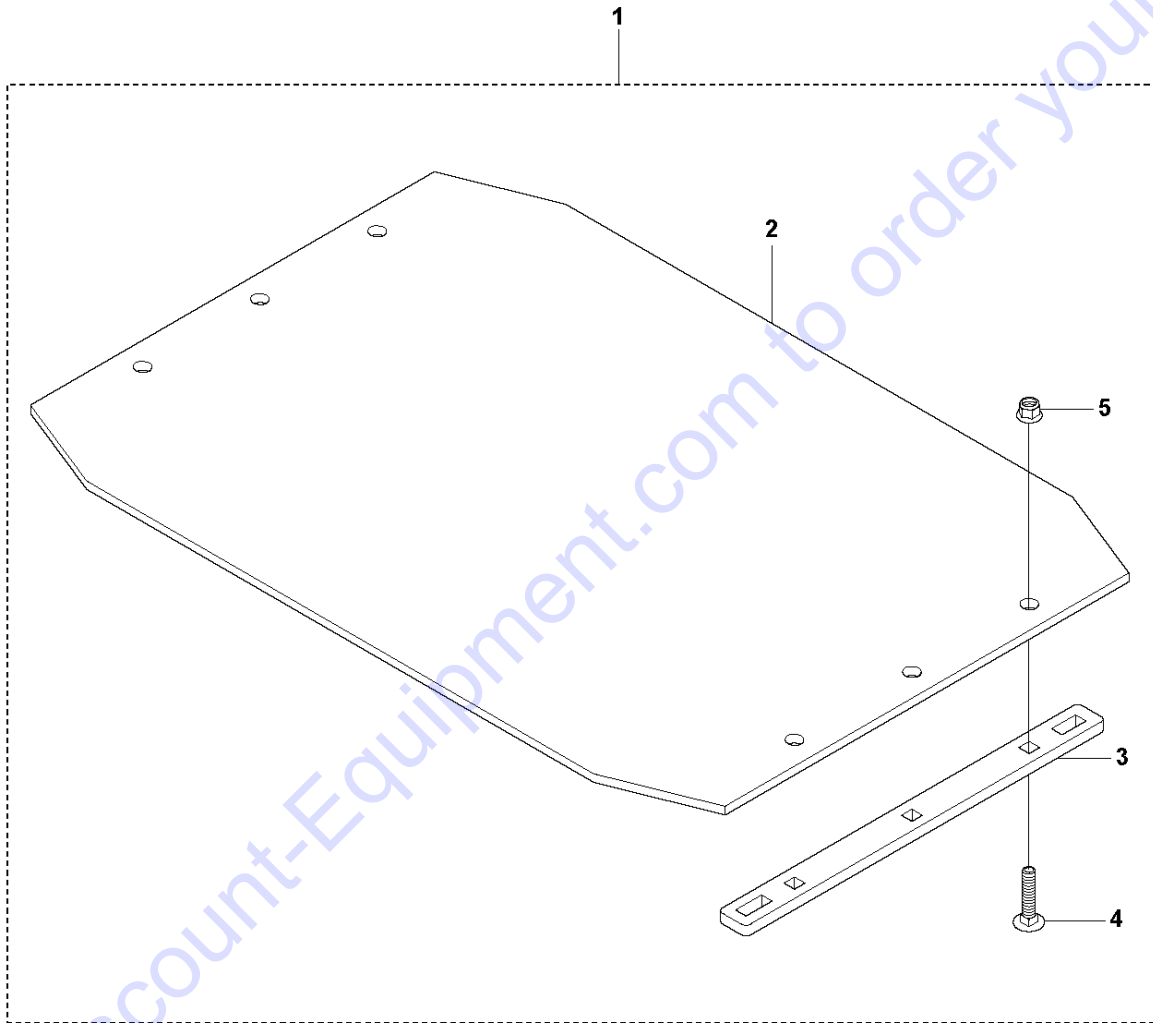
LG 300, 967855303, 967855306, 967855304,

967855307, 967855305, 967855301, 967855302, 2019-06

Ref	Part No	Description	Remark	QTY KIT	
1	594 83 02-01	BLOCK	500 mm Block Paving kit (Optional)	1	
2	595 17 66-01	PLATE	Polyurethane plate	1	1
3	594 44 73-01	BRACKET		2	1
4	595 06 72-01	SCREW		4	1
5	595 06 47-01	LOCK NUT	M10 x 1.5 mm A3K	4	1

Go to Discount-Equipment.com to order your parts

AB LG 300
BLOCK PAVING PLATE 600 MM (23.6")



Go to Discount-Equipment.com to order your parts

BLOCK PAVING PLATE KIT 600 MM (23.6")

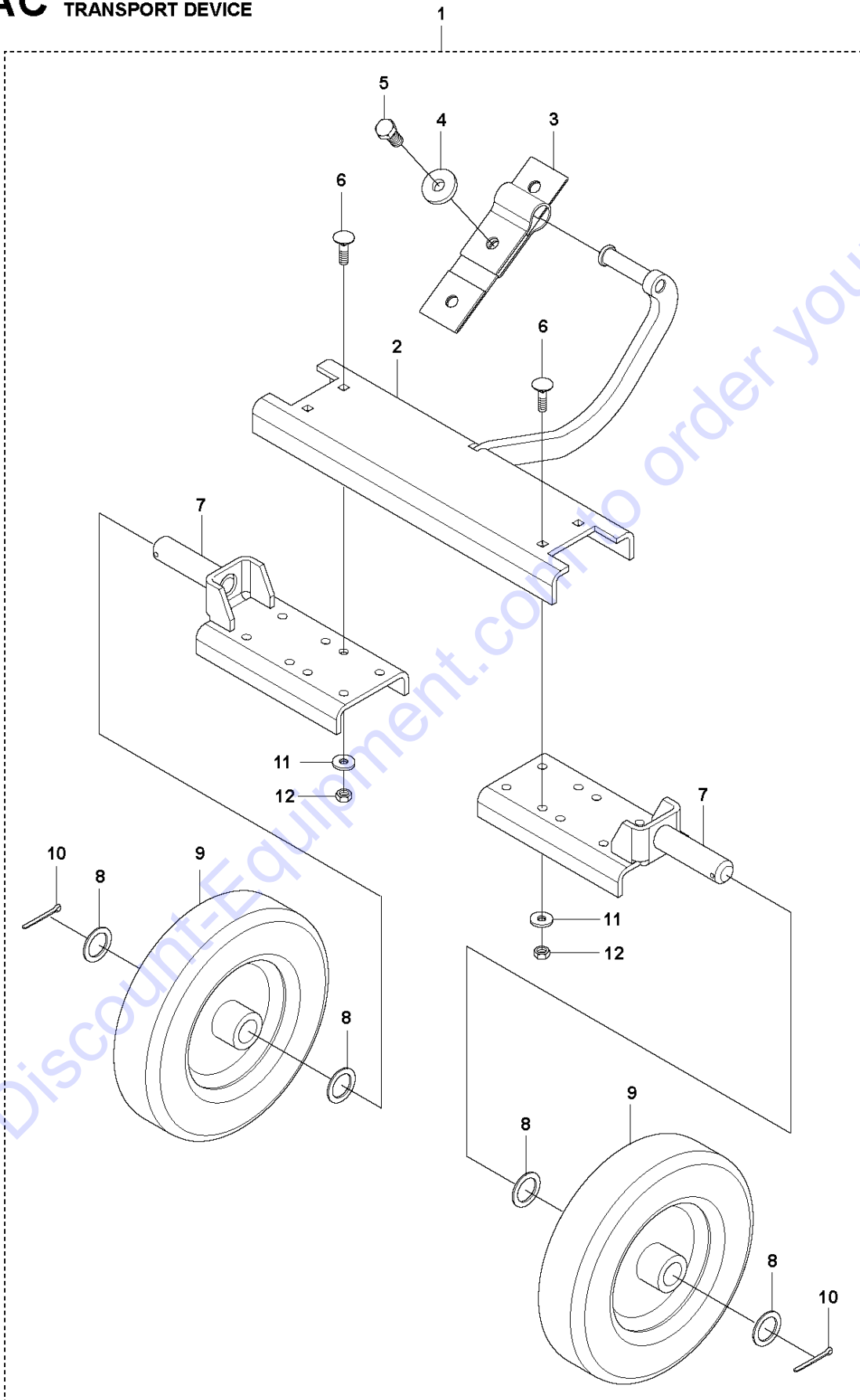
LG 300, 967855303, 967855306, 967855304,

967855307, 967855305, 967855301, 967855302, 2019-06

Ref	Part No	Description	Remark	QTY KIT	
1	594 83 03-01	BLOCK	600 mm Block Paving kit (Optional)	1	
2	595 17 67-01	PLATE	Polyurethane plate	1	1
3	594 44 73-01	BRACKET		2	1
4	595 06 72-01	SCREW		4	1
5	595 06 47-01	LOCK NUT	M10 x 1.5 mm A3K	4	1

Go to Discount-Equipment.com to order your parts

AC LG 300
TRANSPORT DEVICE



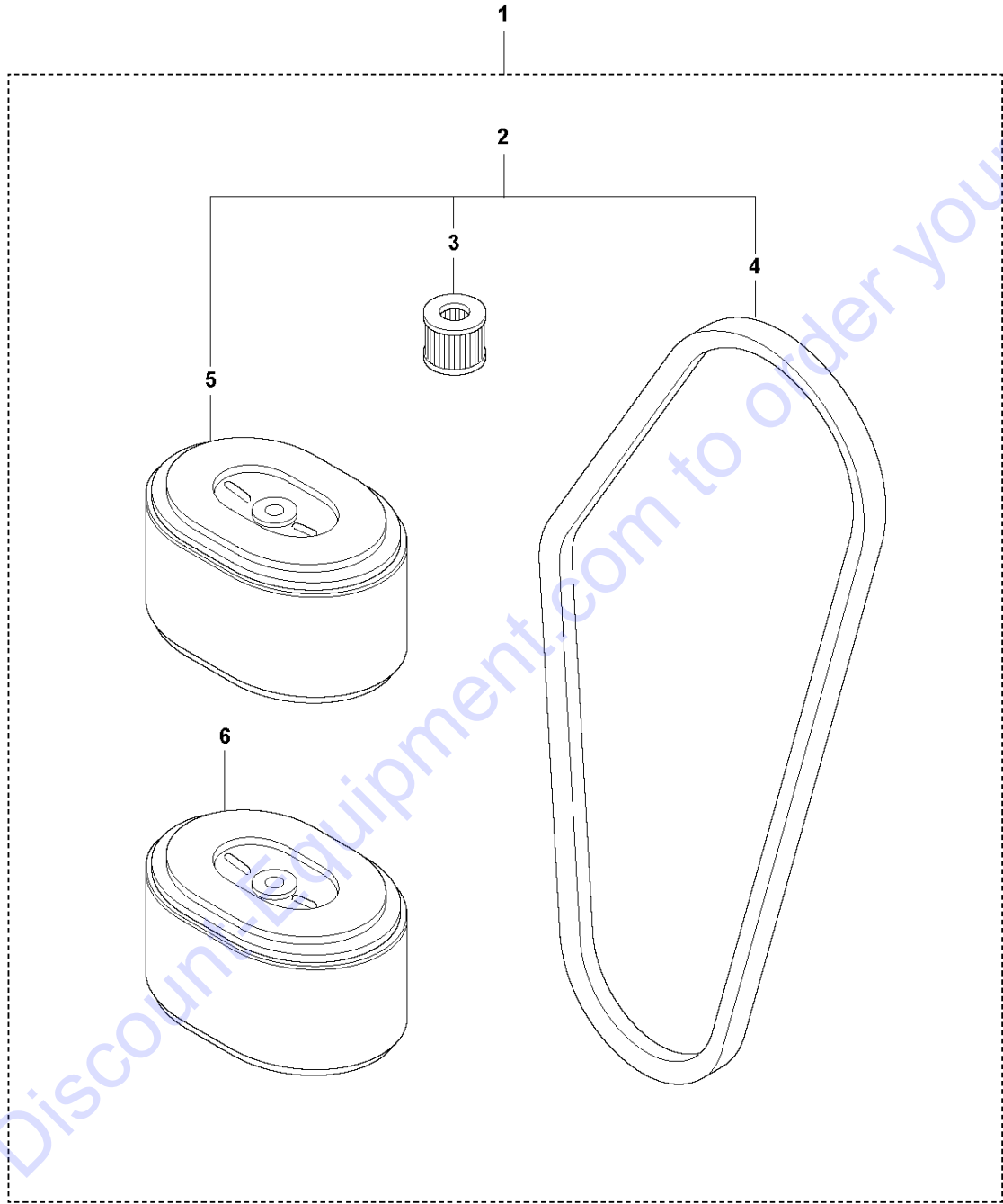
Go to Discount-Equipment.com to order your parts

TRANSPORT DEVICE LG 300, 967855303, 967855306, 967855304, 967855307, 967855305,
967855301, 967855302, 2019-06

Ref	Part No	Description	Remark	QTY KIT	
1	594 83 05-01	UNIT	Transport device	1	
2	594 48 64-01	UNIT		1	1
3	594 14 36-01	STRAP	Strap	1	1
4	594 12 40-01	WASHER		1	1
5	595 34 53-01	SCREW		1	1
6	595 11 19-01	SCREW	Cup square neck bolt , Screw, M8 x 30 mm 8.8	4	1
7	594 48 66-01	BRACKET		2	1
8	594 31 62-01	WASHER		4	1
9	594 45 58-01	WHEEL		2	1
10	595 34 35-01	PIN		2	1
11	594 12 34-01	WASHER	8.4 x 16 x 1.5 mm, 0.33 x 0.63 x 0.06 in. 300 HV	4	1
12	595 03 57-01	NUT		4	1

Go to Discount-Equipment.com to order your parts

AD LG300
START UP KIT - HONDA



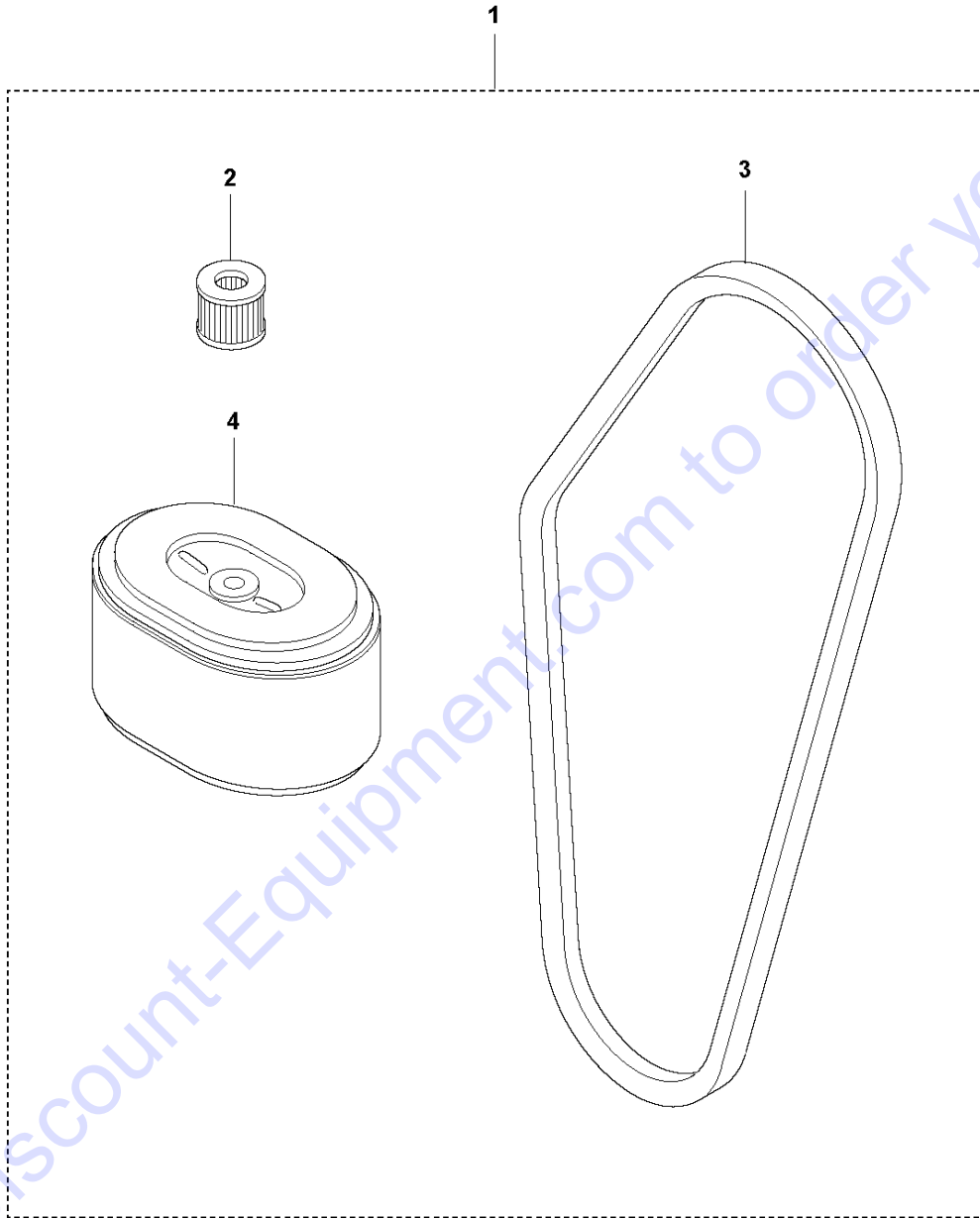
Go to DiscountEquipment.com to order your parts

START UP KIT - HONDA LG 300, 967855303, 967855306, 967855304, 967855307, 967855305, 967855301, 967855302, 2019-06

Ref	Part No	Description	Remark	QTY KIT	
1	595 38 54-01	SERVICE KIT	Start up kit - Honda	1	
2	595 38 47-01	SERVICE KIT	12 months / 500 hours service kit - Hatz	1	1
3	594 44 55-01	AIR FILTER		1	1, 2
4	594 33 27-01	BELT		1	1, 2
5	594 57 51-01	AIR FILTER		1	1, 2
6	594 57 51-01	AIR FILTER		1	1

Go to Discount-Equipment.com to order your parts

AE LG300
12 MONTHS SERVICE KIT / 500 HOURS SERVICE KIT - HONDA



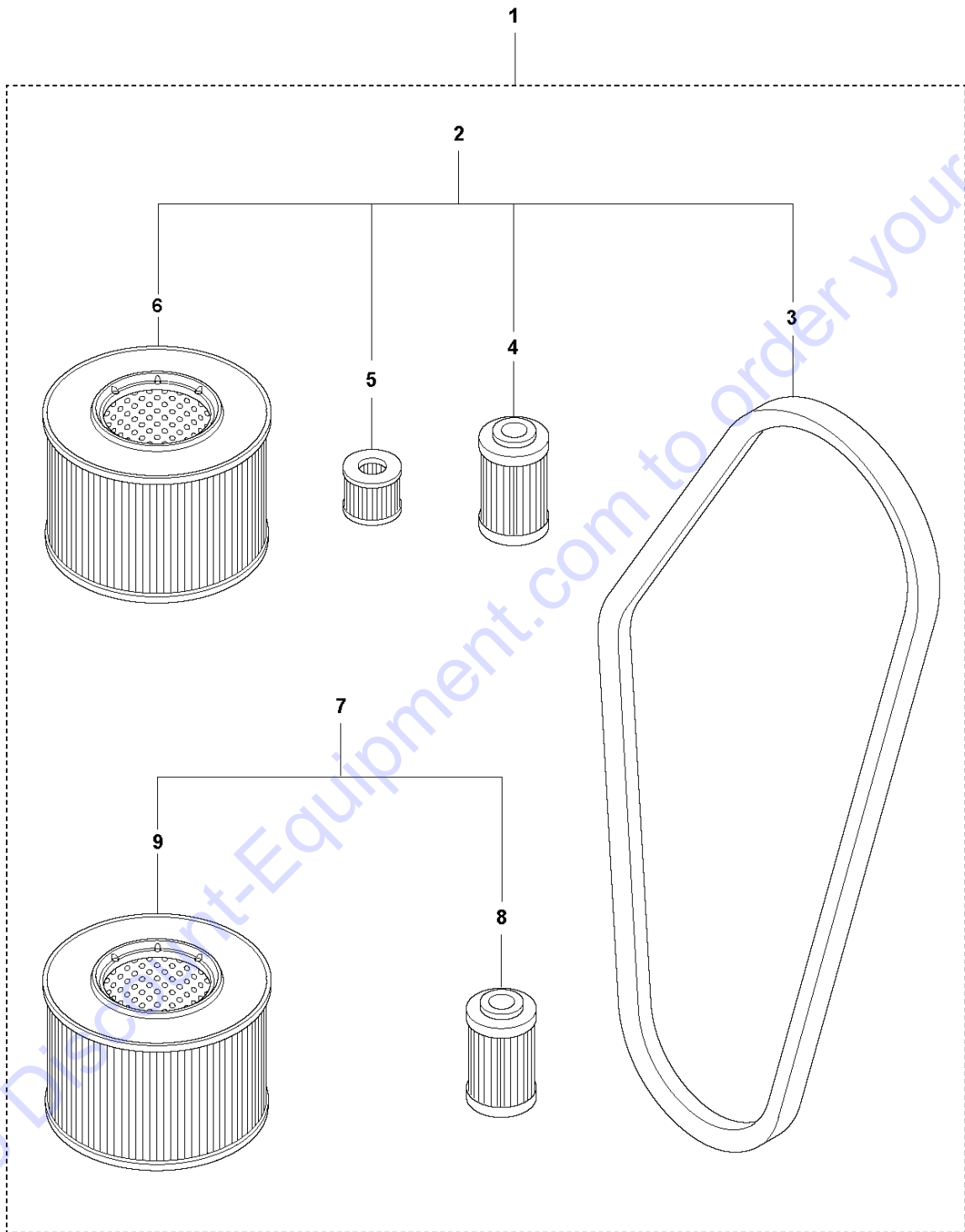
Go to Discount-Equipment.com to order your parts

12 MONTHS / 500 HOURS SERVICE KIT - HONDA LG 300, 967855303, 967855306, 967855304,
967855307, 967855305, 967855301, 967855302, 2019-06

Ref	Part No	Description	Remark	QTY	KIT
1	595 38 47-01	SERVICE KIT	12 months / 500 hours service kit - Honda	1	
2	594 44 55-01	AIR FILTER		1	1
3	594 33 27-01	BELT		1	1
4	594 57 51-01	AIR FILTER		1	1

Go to Discount-Equipment.com to order your parts

AF LG 300
START UP KIT - HATZ

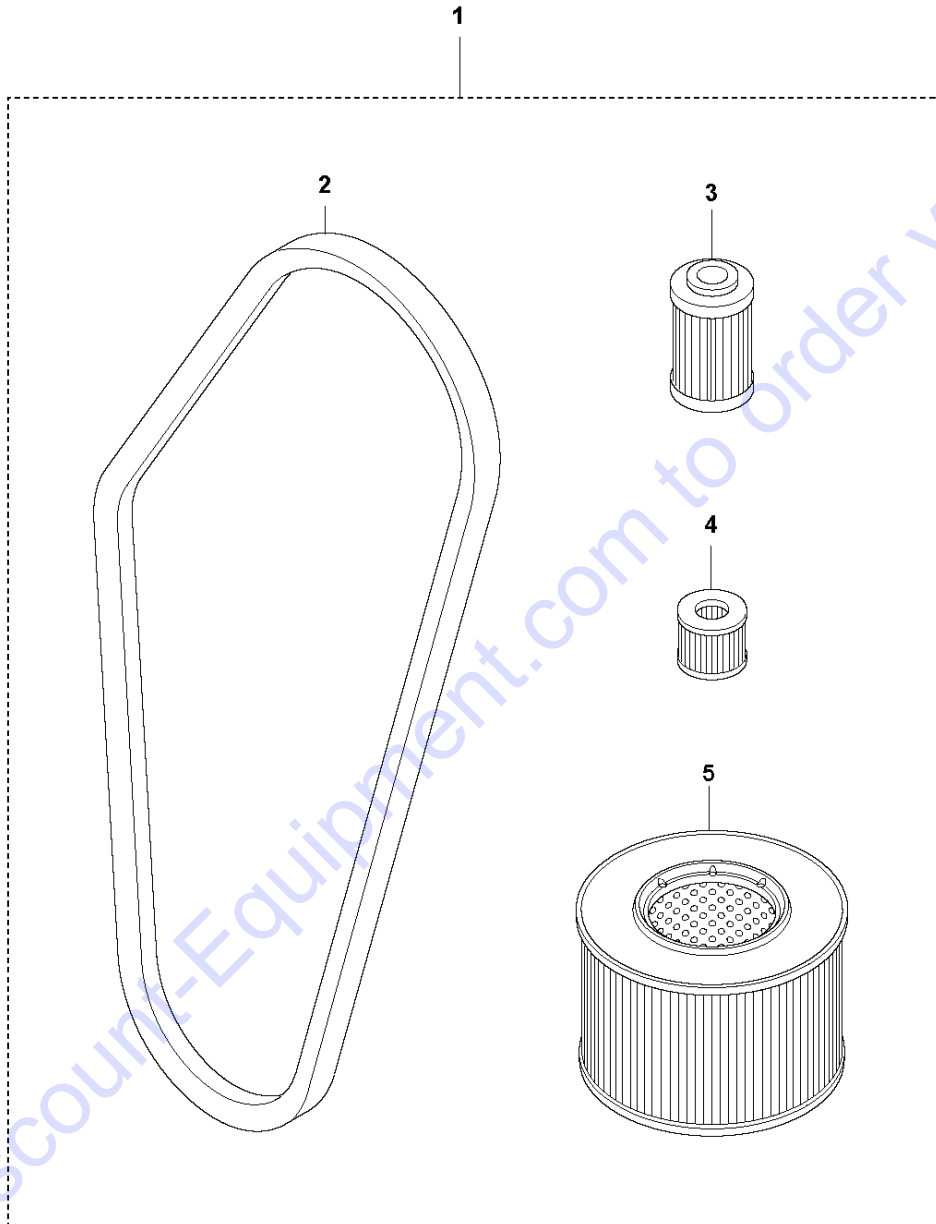


START UP KIT - HATZ LG 300, 967855303, 967855306, 967855304, 967855307, 967855305,
 967855301, 967855302, 2019-06

Ref	Part No	Description	Remark	QTY	KIT
1	595 13 29-01	SERVICE KIT	Start up kit - Hatz	1	
2	594 21 70-01	SERVICE KIT	12 months / 500 hours service kit - Hatz	1	1
3	594 33 18-01	BELT		1	1, 2
4	594 59 51-01	FUEL FILTER		1	1, 2
5	594 44 55-01	AIR FILTER		1	1, 2
6	594 57 11-01	FILTER		1	1, 2
7	594 21 46-01	SERVICE KIT	6 months / 250 hours service kit - Hatz	1	1
8	594 59 51-01	FUEL FILTER		1	1, 7
9	594 57 11-01	FILTER		1	1, 7

Go to Discount-Equipment.com to order your parts

AG LG 300
12 MONTHS 500 HOURS SERVICE KIT - HATZ

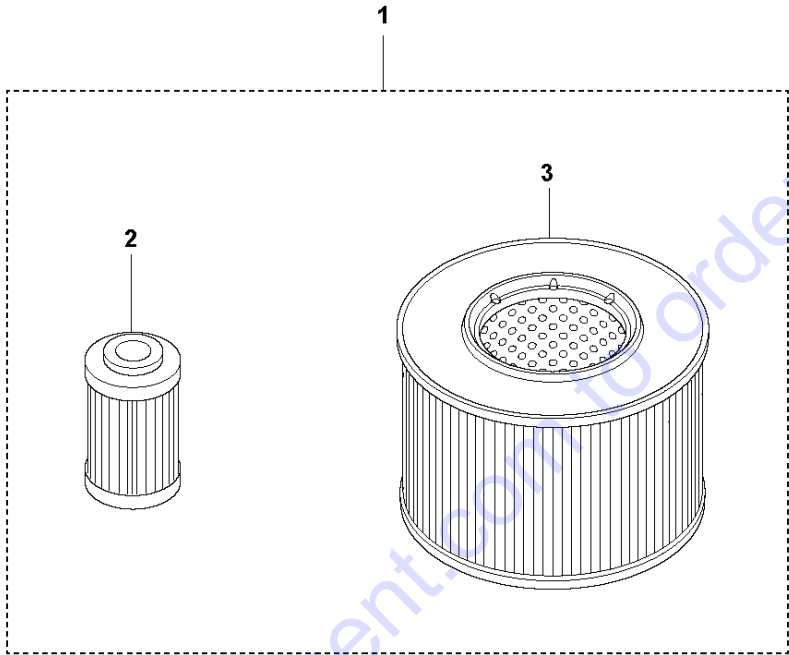


12 MONTHS / 500 HOURS SERVICE KIT - HATZ LG 300, 967855303, 967855306, 967855304,
967855307, 967855305, 967855301, 967855302, 2019-06

Ref	Part No	Description	Remark	QTY	KIT
1	594 21 70-01	SERVICE KIT	12 months / 500 hours service kit - Hatz	1	
2	594 33 18-01	BELT		1	1
3	594 59 51-01	FUEL FILTER		1	1
4	594 44 55-01	AIR FILTER		1	1
5	594 57 11-01	FILTER		1	1

Go to Discount-Equipment.com to order your parts

AH LG 300
6 MONTHS / EVERY 250 HOURS KIT - HATZ



6 MONTHS / 250 HOURS SERVICE KIT - HATZ LG 300, 967855303, 967855306, 967855304,
967855307, 967855305, 967855301, 967855302, 2019-06

Ref	Part No	Description	Remark	QTY	KIT
1	594 21 46-01	SERVICE KIT	6 months / 250 hours service kit - Hatz	1	
2	594 59 51-01	FUEL FILTER		1	1
3	594 57 11-01	FILTER		1	1

Go to Discount-Equipment.com to order your parts

AJ LG300
GOLD KIT - HATZ

1

1	595389301	Gold Kit LG 300 Hatz		
Ground Plate -Eccentric-Handling System LG 300 Hatz				
2	Eccentric System	Eccentric Element Repair Kit	1	
3		Shock absorber repair kit	1	
4		Pulley	1	
5		Clutch	1	
6		Forward and reverse piston repair kit	1	
7		Hydraulic hose	1	
8		Hydraulic hose	1	
9		Hydraulic hose	1	
10		Hydraulic hose	1	
Cosmetic Kit LG 300 Hatz				
11	Covers	Front hood	1	
12		Rear Hood	1	
13		Screw	14	
14		Washer	17	
15		Screw	2	
16		Screw	3	
17		Washer	2	
18		Clip	1	
19		Insulation	1	
20		Belt Guard	V-belt cover	1
21			Bolt	4
22		Washer	4	
23		Handle System	Rubber cover	1
24			Rubber cover	1
25			Grab handle	1
26			Lever	1
27			Housing	1
28			Lever housing	1
29			Measuring nipple	1
30	Measuring nipple		1	
31	Screw		2	
32	Washer		2	
33	Pin		1	
34	Rod		1	
35	Labeling	Product Label Kit LG 300 Hatz	1	
Engine				
36	Hatz Engine	Yearly Service Kit Hatz	1	

GOLD KIT - HATZ LG 300, 967855303, 967855306, 967855304, 967855307, 967855305, 967855301, 967855302, 2019-06

Ref	Part No	Description	Remark	QTY KIT
1	595 38 93-01	SERVICE KIT	For LG 300 with Hatz engine	1

Go to Discount-Equipment.com to order your parts

AK **LG300**
SILVER KIT - HATZ

1

1	595389201	Silver Kit LG 300 Hatz	
Ground Plate -Eccentric-Handling System LG 300 Hatz			
2	Eccentric System	Eccentric Element Repair Kit	1
3		Shock absorber repair kit	1
4		Pulley	1
5		Clutch	1
6		Forward and reverse piston repair kit	
7		Hydraulic hose	1
8		Hydraulic hose	1
9		Hydraulic hose	1
10		Hydraulic hose	1
Engine			
11	Hatz Engine	Yearly Service Kit Hatz	1

Go to Discount-Equipment.com to order your parts

SILVER KIT - HATZ LG 300, 967855303, 967855306, 967855304, 967855307, 967855305,
967855301, 967855302, 2019-06

Ref	Part No	Description	Remark	QTY KIT
1	595 38 92-01	SERVICE KIT	For LG 300 with Hatz engine	1

Go to Discount-Equipment.com to order your parts

AL LG300
COSMETIC KIT - HATZ

1

1	595386801	Cosmetic Kit LG 300 Hatz	
2	Covers	Front hood	1
3		Rear Hood	1
4		Screw	14
5		Washer	17
6		Screw	2
7		Screw	3
8		Washer	2
9		Clip	1
10		Insulation	1
11		Belt Guard	V-belt cover
12	Bolt		4
13	Washer		4
14	Handle System	Rubber cover	1
15		Rubber cover	1
16		Grab handle	1
17		Lever	1
18		Housing	1
19		Lever housing	1
20		Measuring nipple	1
21		Measuring nipple	1
22		Screw	2
23		Washer	2
24		Pin	1
25		Rod	1
26	Labeling	Product Label Kit LG 300 Hatz	1
Engine			
27	Hartz Engine	Yearly Service Kit Hatz	1

COSMETIC KIT - HATZ LG 300, 967855303, 967855306, 967855304, 967855307, 967855305,
967855301, 967855302, 2019-06

Ref	Part No	Description	Remark	QTY KIT
1	595 38 68-01	SERVICE KIT	For LG 300 with Hatz engine	1

Go to Discount-Equipment.com to order your parts

AM LG300
GOLD KIT - HONDA

1

1	595389501	Gold Kit LG 300 Honda	
Ground Plate - Eccentric-Handling System Repair Kit LG 300 Honda			
2	Eccentric System	Eccentric Element Repair Kit	1
3		Shock absorber repair kit	1
4		Pulley	1
5		Forward and reverse piston repair kit	1
6		Hydraulic hose	1
7		Hydraulic hose	1
8		Hydraulic hose	1
9		Hydraulic hose	1
Cosmetic Kit LG 300 Honda			
10	Belt Guard	V-belt cover	1
11		Bolt	4
12		Washer	4
13		Rubber cover	1
14	Handle System	Rubber cover	1
15		Grab handle	1
16		Lever	1
17		Housing	1
18		Lever housing	1
19		Measuring nipple	1
20		Measuring nipple	1
21		Screw	2
22		Washer	2
23		Pin	1
24	Rod	1	
25	Labeling	Product Label Kit LG 300 Honda	1
Engine			
26	Hatz Engine	Yearly Service Kit Honda	1

GOLD KIT - HONDA LG 300, 967855303, 967855306, 967855304, 967855307, 967855305,
967855301, 967855302, 2019-06

Ref	Part No	Description	Remark	QTY KIT
1	595 38 95-01	SERVICE KIT	For LG 300 with Honda engine	1

Go to Discount-Equipment.com to order your parts

AN LG300
SILVER KIT - HONDA

1

1	595389401	Silver Kit LG 300 Honda	
Ground Plate - Eccentric-Handling System Repair Kit LG 300 Honda			
2	Eccentric System	Eccentric Element Repair Kit	1
3		Shock absorber repair kit	1
4		Pulley	1
5		Forward and reverse piston repair kit	1
6		Hydraulic hose	1
7		Hydraulic hose	1
8		Hydraulic hose	1
9		Hydraulic hose	1
Engine			
10	Hatz Engine	Yearly Service Kit Honda	1

Go to Discount-Equipment.com to order your parts

SILVER KIT - HONDA LG 300, 967855303, 967855306, 967855304, 967855307, 967855305,
967855301, 967855302, 2019-06

Ref	Part No	Description	Remark	QTY KIT
1	595 38 94-01	SERVICE KIT	For LG 300 with Honda engine	1

Go to Discount-Equipment.com to order your parts

AP LG300
COSMETIC KIT - HONDA

1

1	595386701	Cosmetic Kit LG 300 Honda	
2	Belt Guard	V-belt cover	1
3		Bolt	4
4		Washer	4
5		Rubber cover	1
6	Handle System	Rubber cover	1
7		Grab handle	1
8		Lever	1
9		Housing	1
10		Lever housing	1
11		Measuring nipple	1
12		Measuring nipple	1
13		Screw	2
14		Washer	2
15		Pin	1
16		Rod	1
17	Labeling	Product Label Kit LG 300 Honda	1

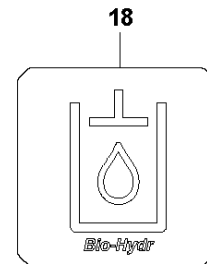
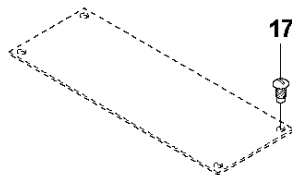
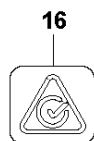
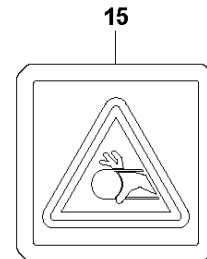
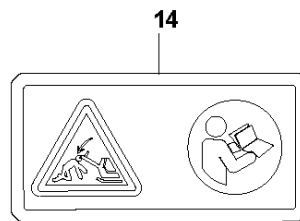
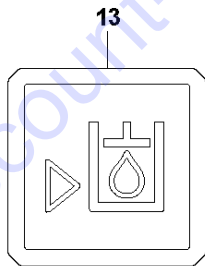
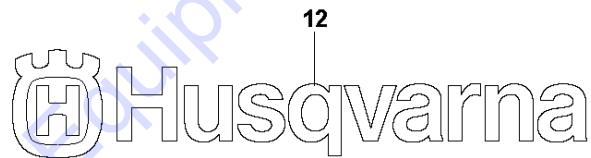
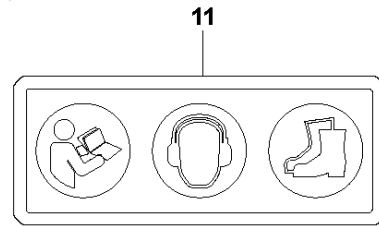
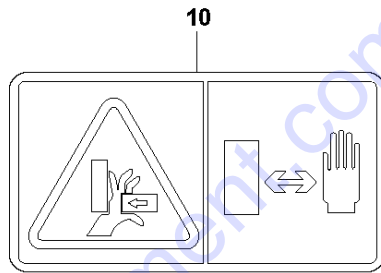
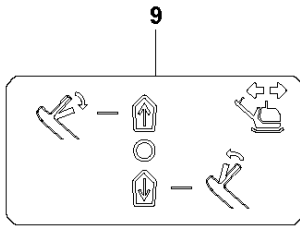
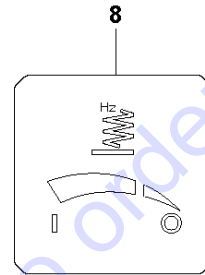
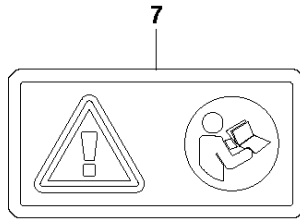
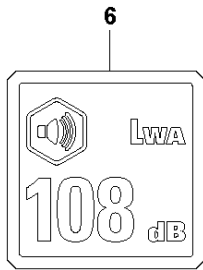
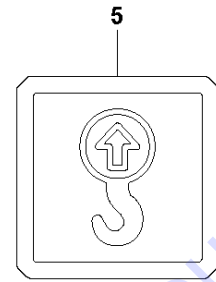
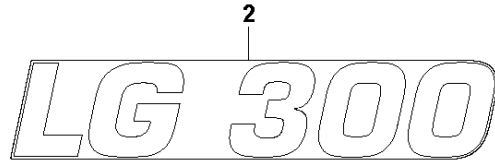
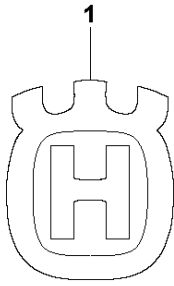
Go to Discount-Equipment.com to order your parts

COSMETIC KIT - HONDA LG 300, 967855303, 967855306, 967855304, 967855307, 967855305, 967855301, 967855302, 2019-06

Ref	Part No	Description	Remark	QTY KIT
1	595 38 67-01	SERVICE KIT	For LG 300 with Honda engine	1

Go to Discount-Equipment.com to order your parts

AQ LG 300
DECALS - HONDA



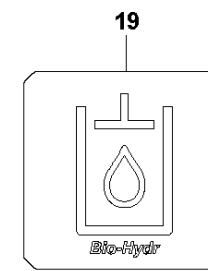
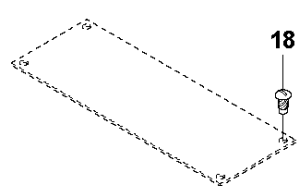
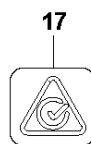
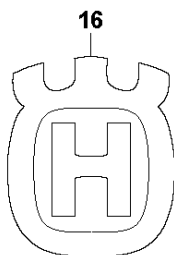
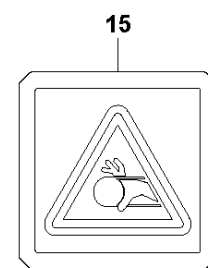
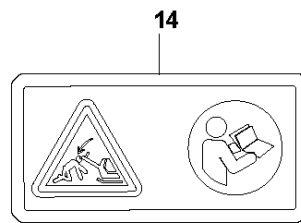
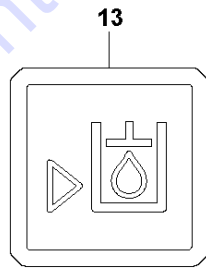
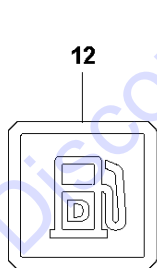
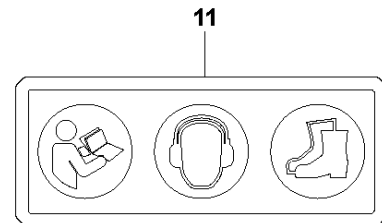
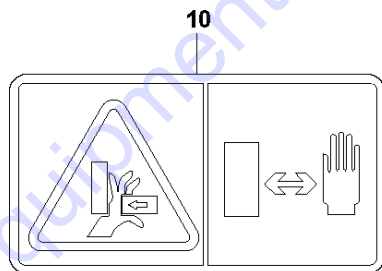
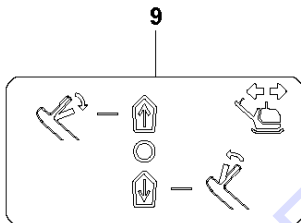
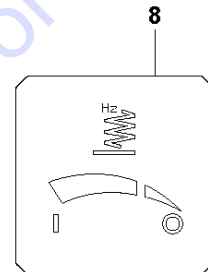
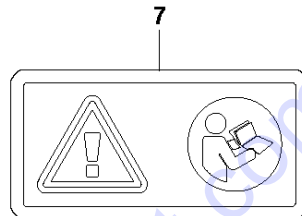
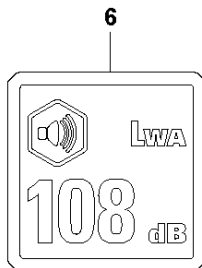
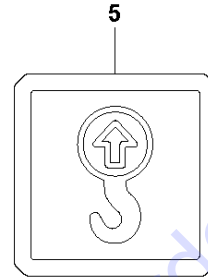
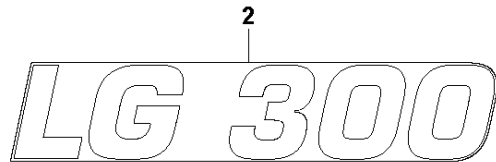
Go to Discount-Equipment.com to order your parts

DECALS - HONDA LG 300, 967855303, 967855306, 967855304, 967855307, 967855305, 967855301, 967855302, 2019-06

Ref	Part No	Description	Remark	QTY KIT
1	595 31 98-02	DECAL	Husqvarna crown	1
2	595 09 54-01	DECAL		1
5	594 66 09-01	LABEL		2
6	595 21 63-01	DECAL		1
7	594 86 97-01	LABEL		1
8	594 35 39-01	DECAL		1
9	594 66 07-01	LABEL		2
10	594 53 64-01	DECAL		1
11	594 65 96-01	LABEL		1
12	577 46 90-01	DECAL	Husqvarna logo	1
13	595 51 28-01	LABEL		1
14	594 66 06-01	LABEL		1
15	594 66 08-01	LABEL		1
16	596 28 02-01	DECAL	Compliance RCM Decal	1
17	595 35 10-01	SCREW		4
18	595 46 94-01	DECAL		1

Go to Discount-Equipment.com to order your parts

AR LG 300
DECALS - HATZ



Go to Discount-Equipment.com to order your parts

DECALS - HATZ LG 300, 967855303, 967855306, 967855304, 967855307, 967855305, 967855301, 967855302, 2019-06

Ref	Part No	Description	Remark	QTY KIT
1	577 46 90-01	DECAL	Husqvarna logo	1
2	595 09 54-01	DECAL		2
5	594 66 09-01	LABEL		2
6	595 21 63-01	DECAL		1
7	594 86 97-01	LABEL		1
8	594 35 39-01	DECAL		1
9	594 66 07-01	LABEL		2
10	594 53 64-01	DECAL		1
11	594 65 96-01	LABEL		1
12	594 66 16-01	LABEL		1
13	595 51 28-01	LABEL		1
14	594 66 06-01	LABEL		1
15	594 66 08-01	LABEL		1
16	595 31 98-02	DECAL	Husqvarna crown	1
17	596 28 02-01	DECAL	Compliance RCM Decal	1
18	595 35 10-01	SCREW		4
19	595 46 94-01	DECAL		1

Go to Discount-Equipment.com to order your parts

PARTS FINDER

**Search Website
by Part Number**



**Search Manual
Library For Parts
Manual & Lookup Part
Numbers – Purchase
or Request Quote**

Search Manuals

Enter your information to help us find the right parts manual for your machine.

* Brand:

* Model:

* Serial:

* Part Number:

SEARCH

**Can't Find Part or
Manual? Request Help
by Manufacturer,
Model & Description**

Parts Order Form

Please fill in the following information to help us find the right part for your machine.

Manufacturer:	<input type="text"/>
Model:	<input type="text"/>
Description:	<input type="text"/>
Part Number:	<input type="text"/>
Quantity:	<input type="text"/>
Notes:	<input type="text"/>

Discount-Equipment.com is your online resource for quality parts & equipment.

Florida: **561-964-4949** Outside Florida TOLL FREE: **877-690-3101**

Need parts?

Click on this link: <http://www.discount-equipment.com/category/5443-parts/> and choose one of the options to help get the right parts and equipment you are looking for. Please have the machine model and serial number available in order to help us get you the correct parts. If you don't find the part on the website or on one of the online manuals, please fill out the request form and one of our experienced staff members will get back to you with a quote for the right part that your machine needs.

We sell worldwide for the brands: Genie, Terex, JLG, MultiQuip, Mikasa, Essick, Whiteman, Mayco, Toro Stone, Diamond Products, Generac Magnum, Airman, Haulotte, Barreto, Power Blanket, Nifty Lift, Atlas Copco, Chicago Pneumatic, Allmand, Miller Curber, Skyjack, Lull, Skytrak, Tsurumi, Husquvarna Target, Stow, Wacker, Sakai, Mi-T-M, Sullair, Basic, Dynapac, MBW, Weber, Bartell, Bennar Newman, Haulotte, Ditch Runner, Menegotti, Morrison, Contec, Buddy, Crown, Edco, Wyco, Bomag, Laymor, EZ Trench, Bil-Jax, F.S. Curtis, Gehl Pavers, Heli, Honda, ICS/PowerGrit, IHI, Partner, Imer, Clipper, MMD, Koshin, Rice, CH&E, General Equipment, Amida, Coleman, NAC, Gradall, Square Shooter, Kent, Stanley, Tamco, Toku, Hatz, Kohler, Robin, Wisconsin, Northrock, Oztec, Toker TK, Rol-Air, APT, Wylie, Ingersoll Rand / Doosan, Innovatech, Con X, Ammann, Mecalac, Makinex, Smith Surface Prep, Small Line, Wanco, Yanmar