



SPARE PARTS LIST

EARLY ENTRY SAWS

SOFF CUT 150, 2019-02

Go to Discount-Equipment.com to order your parts



PARTS FINDER

**Search Website
by Part Number**



**Search Manual
Library For Parts
Manual & Lookup Part
Numbers – Purchase
or Request Quote**

Search Manuals

Enter your information to help us find the right parts manual for your machine.

* Brand:

* Model:

* Serial:

* Part Number:

SEARCH

**Can't Find Part or
Manual? Request Help
by Manufacturer,
Model & Description**

Parts Order Form

Please fill in the following information to help us find the right part for your machine.

Manufacturer:	<input type="text"/>
Model:	<input type="text"/>
Description:	<input type="text"/>
Part Number:	<input type="text"/>
Quantity:	<input type="text"/>
Notes:	<input type="text"/>

Submit

Discount-Equipment.com is your online resource for quality parts & equipment.

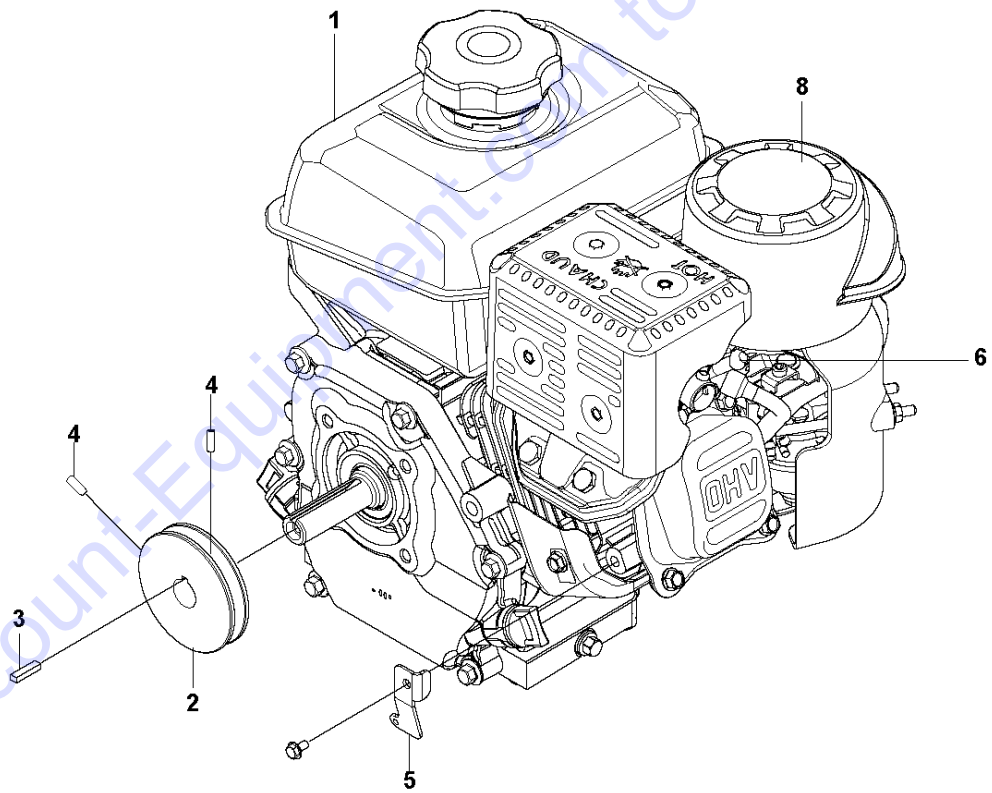
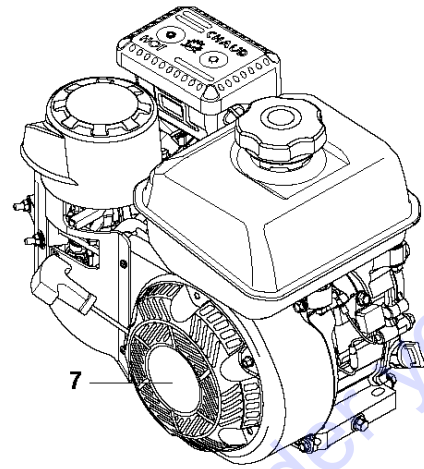
Florida: **561-964-4949** Outside Florida TOLL FREE: **877-690-3101**

Need parts?

Click on this link: <http://www.discount-equipment.com/category/5443-parts/> and choose one of the options to help get the right parts and equipment you are looking for. Please have the machine model and serial number available in order to help us get you the correct parts. If you don't find the part on the website or on one of the online manuals, please fill out the request form and one of our experienced staff members will get back to you with a quote for the right part that your machine needs.

We sell worldwide for the brands: Genie, Terex, JLG, MultiQuip, Mikasa, Essick, Whiteman, Mayco, Toro Stone, Diamond Products, Generac Magnum, Airman, Haulotte, Barreto, Power Blanket, Nifty Lift, Atlas Copco, Chicago Pneumatic, Allmand, Miller Curber, Skyjack, Lull, Skytrak, Tsurumi, Husquvarna Target, Stow, Wacker, Sakai, Mi-T-M, Sullair, Basic, Dynapac, MBW, Weber, Bartell, Bennar Newman, Haulotte, Ditch Runner, Menegotti, Morrison, Contec, Buddy, Crown, Edco, Wyco, Bomag, Laymor, EZ Trench, Bil-Jax, F.S. Curtis, Gehl Pavers, Heli, Honda, ICS/PowerGrit, IHI, Partner, Imer, Clipper, MMD, Koshin, Rice, CH&E, General Equipment, Amida, Coleman, NAC, Gradall, Square Shooter, Kent, Stanley, Tamco, Toku, Hatz, Kohler, Robin, Wisconsin, Northrock, Oztec, Toker TK, Rol-Air, APT, Wylie, Ingersoll Rand / Doosan, Innovatech, Con X, Ammann, Mecalac, Makinex, Smith Surface Prep, Small Line, Wanco, Yanmar

A SOFF CUT 150
ENGINE



Go to Discount-Equipment.com to order your parts

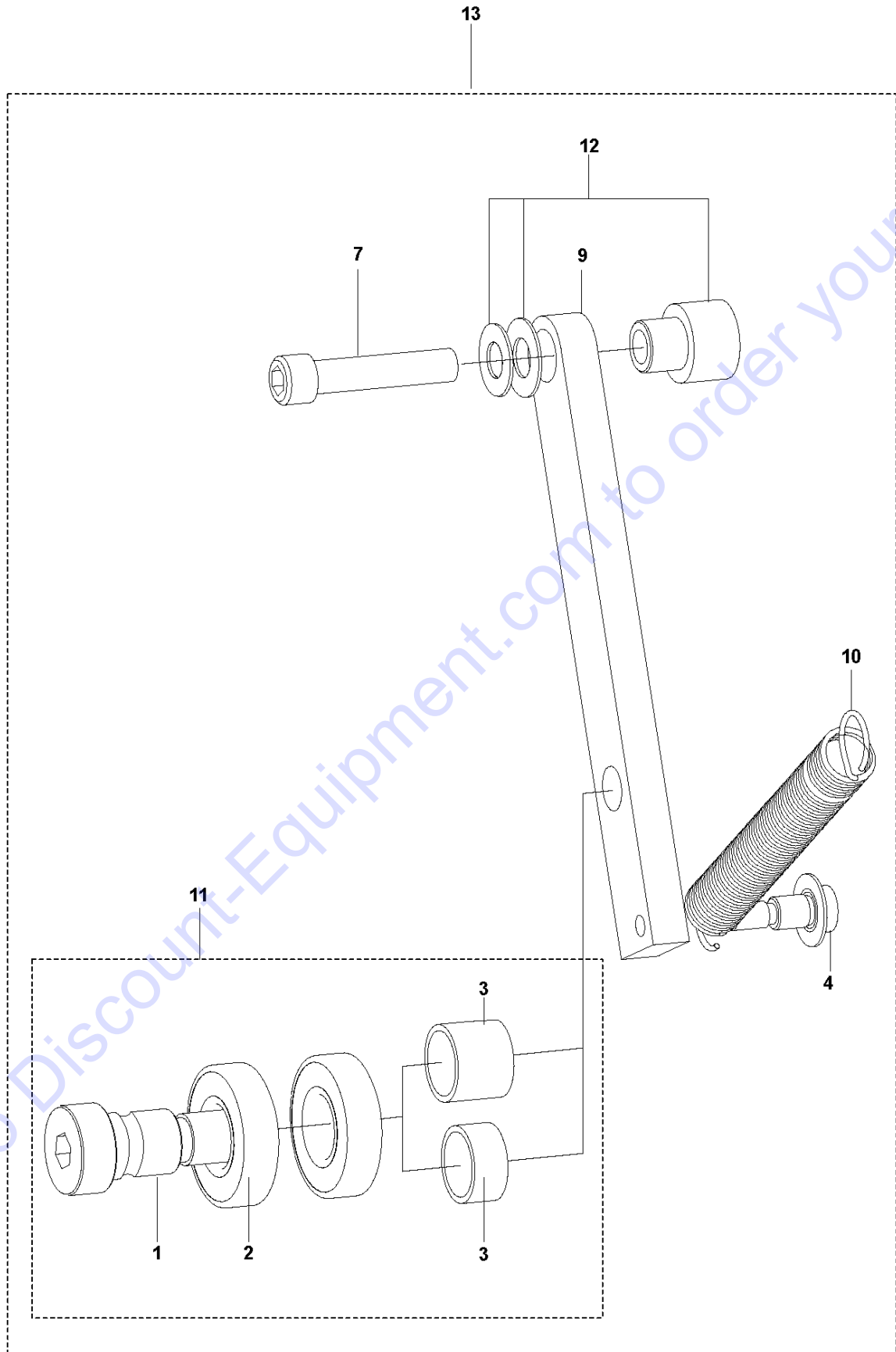
ENGINE

SOFF CUT 150, 2019-02

Ref	Part No	Description	Remark	QTY KIT
1	592 88 82-01	ENGINE		1
2	582 66 93-01	PULLEY KIT		1
3	510 31 73-01	KEY		1
4	728 84 47-05	SCREW IHSETM		2
5	592 92 06-01	BRACKET		1
6	593 13 17-01	SPARK PLUG		1
7	594 11 05-01	STARTER		1
8	594 11 02-01	AIR FILTER		1

Go to Discount-Equipment.com to order your parts

B SOFF CUT 150
BELT TENSIONER



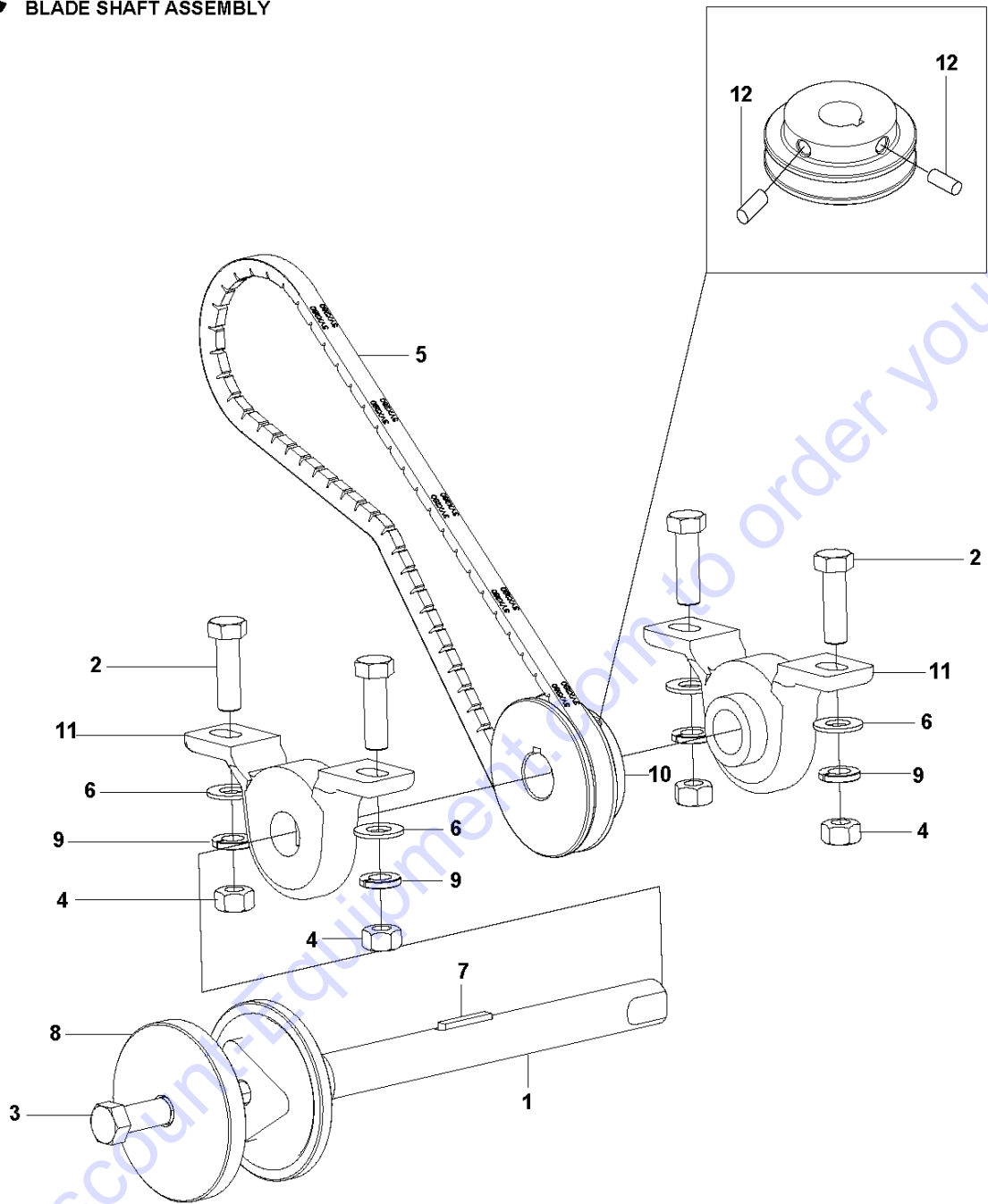
BELT

SOFF CUT 150, 2019-02

Ref	Part No	Description	Remark	QTY	KIT
1	582 37 08-01	SCREW		1	11, 13
2	505 73 60-01	PULLEY		2	11, 13
3	505 71 46-02	SPACER		1	11, 13
3	582 37 07-01	SPACER		2	11, 13
4	505 72 65-01	BOLT		1	13
7	505 59 19-01	BOLT		1	13
9	505 58 73-01	ARM		1	13
10	505 73 79-01	SPRING		1	13
11	582 66 95-01	TENSIONER		1	13
12	505 85 65-01	ARM		1	13
13	582 66 94-01	TENSIONER	Complete	1	

Go to Discount-Equipment.com to order your parts

C SOFF CUT 150
BLADE SHAFT ASSEMBLY



Go to DiscountEquipment.com to order your parts

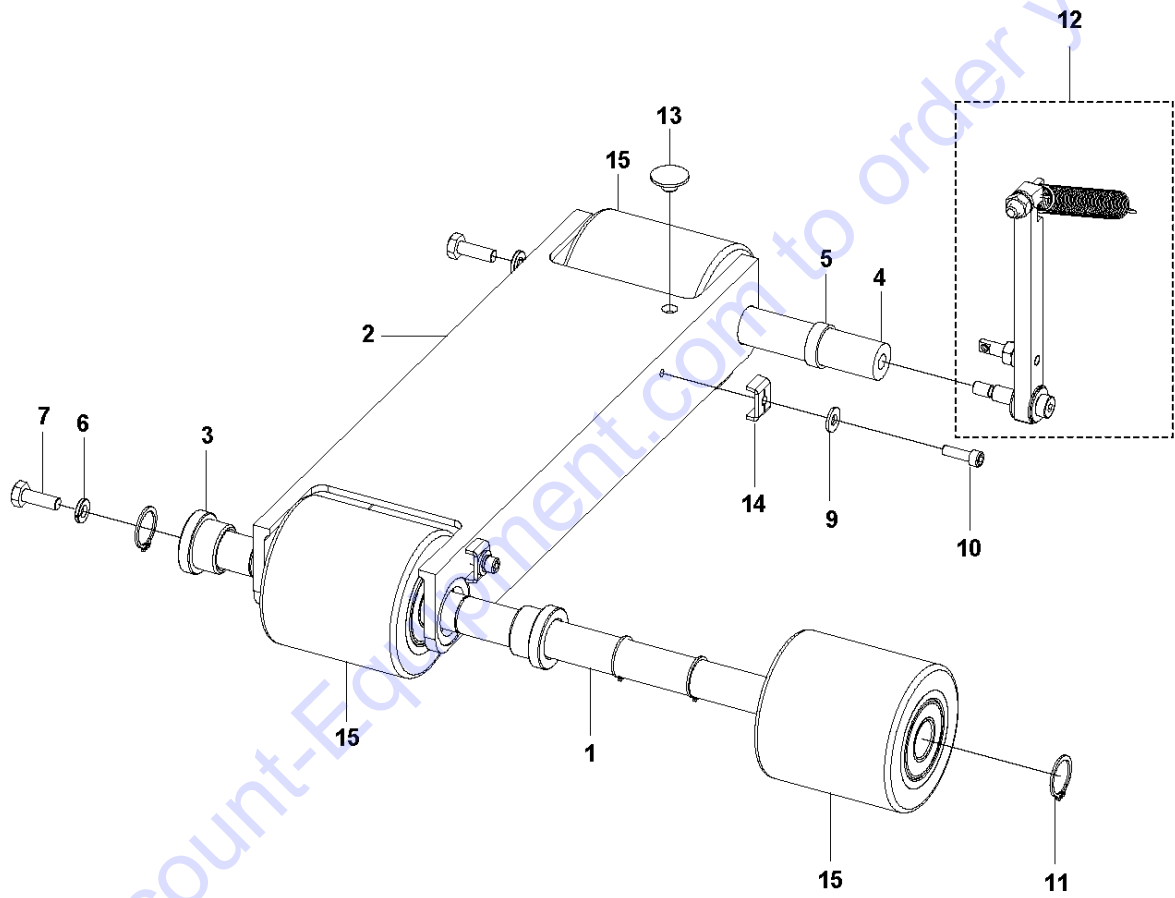
BLADE SHAFT

SOFF CUT 150, 2019-02

Ref	Part No	Description	Remark	QTY KIT
1	505 58 84-01	BLADE SHAFT		1
2	505 72 76-01	HEX BOLT 3/8-16X1 1/4 CAD GR 5		4
3	505 57 34-01	BOLT		1
4	505 73 21-01	NUT		4
5	588 76 92-01	BELT		1
6	505 72 46-01	FLAT WASH 3/8 STL CAD		4
7	510 31 73-01	KEY		1
8	505 49 15-02	WASHER		1
9	505 73 10-01	WASHER		4
10	579 79 45-01	SHEAVE		1
11	505 59 20-01	BLADE SHAFT		2
12	728 84 47-05	SCREW IHSETM		2

Go to Discount-Equipment.com to order your parts

D SOFF CUT 150
WHEEL CARRIAGE ASSEMBLY



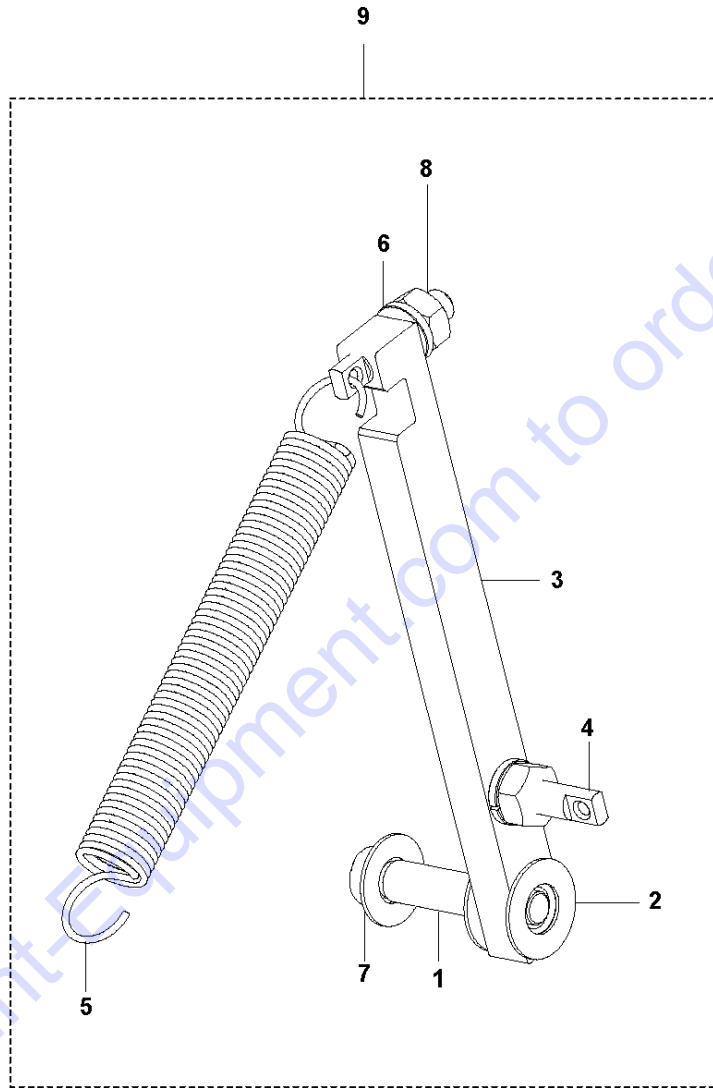
CARRIAGE

SOFF CUT 150, 2019-02

Ref	Part No	Description	Remark	QTY KIT
1	505 58 67-01	REAR AXLE		1
2	505 58 68-01	FRAME		1
3	505 58 69-01	BUSHING		2
4	505 58 81-01	FRONT AXLE SYSTEM		1
5	505 58 89-01	SPACER		2
6	505 63 28-01	WASHER		1
7	505 62 75-01	BOLT		2
9	505 63 53-01	WASHER		2
10	505 72 97-01	BOLT		2
11	505 73 35-01	SNAP RING		4
12	510 27 27-11	ARM		1
13	505 62 53-01	BUTTON		1
14	505 64 89-01	BOLT		2
15	505 59 29-01	WHEEL		3

Go to Discount-Equipment.com to order your parts

E SOFF CUT 150
BLADE RELEASE ARM



Go to Discount-Equipment.com to order your parts

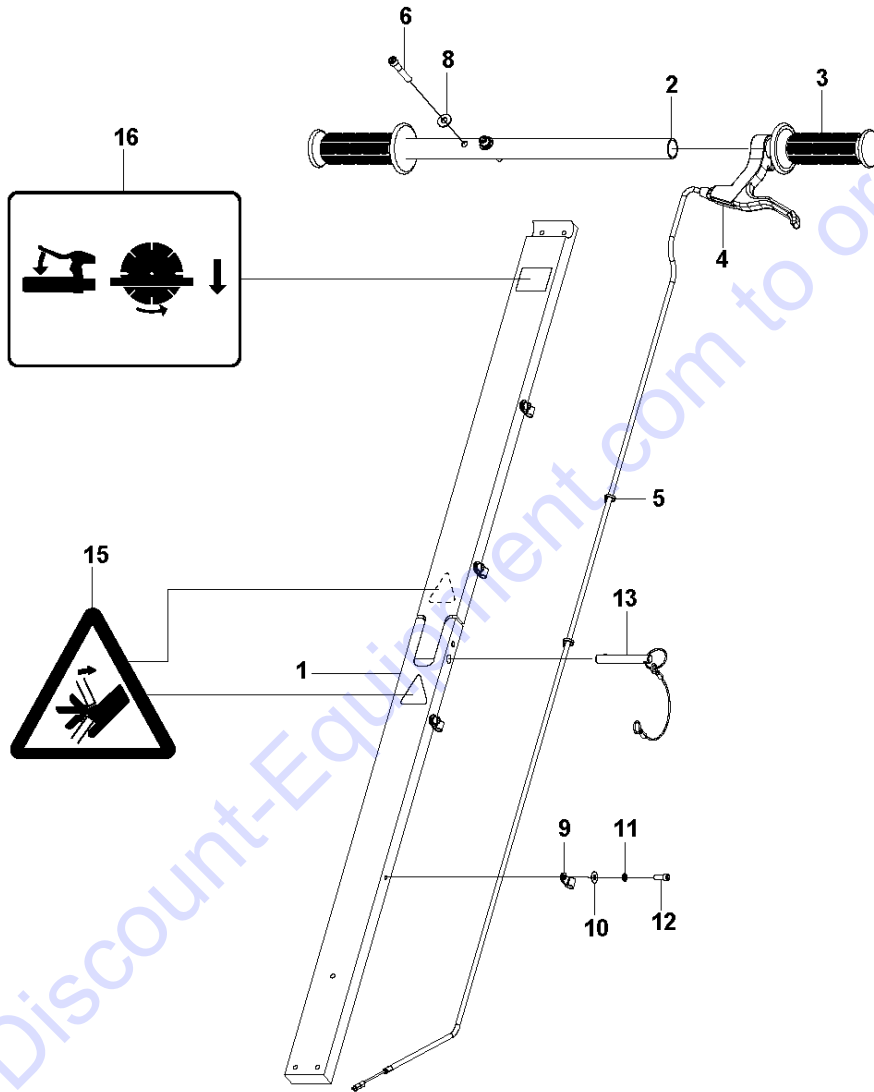
BLADE RELEASE ARM

SOFF CUT 150, 2019-02

Ref	Part No	Description	Remark	QTY KIT
1	505 72 67-01	BOLT		1
2	505 63 45-01	WASHER		2
3	505 58 70-01	LEVER		1
4	505 77 45-01	ANCHOR		2
5	505 73 79-01	SPRING		1
6	505 63 28-01	WASHER		2
7	505 72 52-01	WASHER		1
8	505 63 19-01	NUT		2
9	510 27 27-11	ARM	Complete	1

Go to Discount-Equipment.com to order your parts

F SOFF CUT 150
HANDLE ASSEMBLY

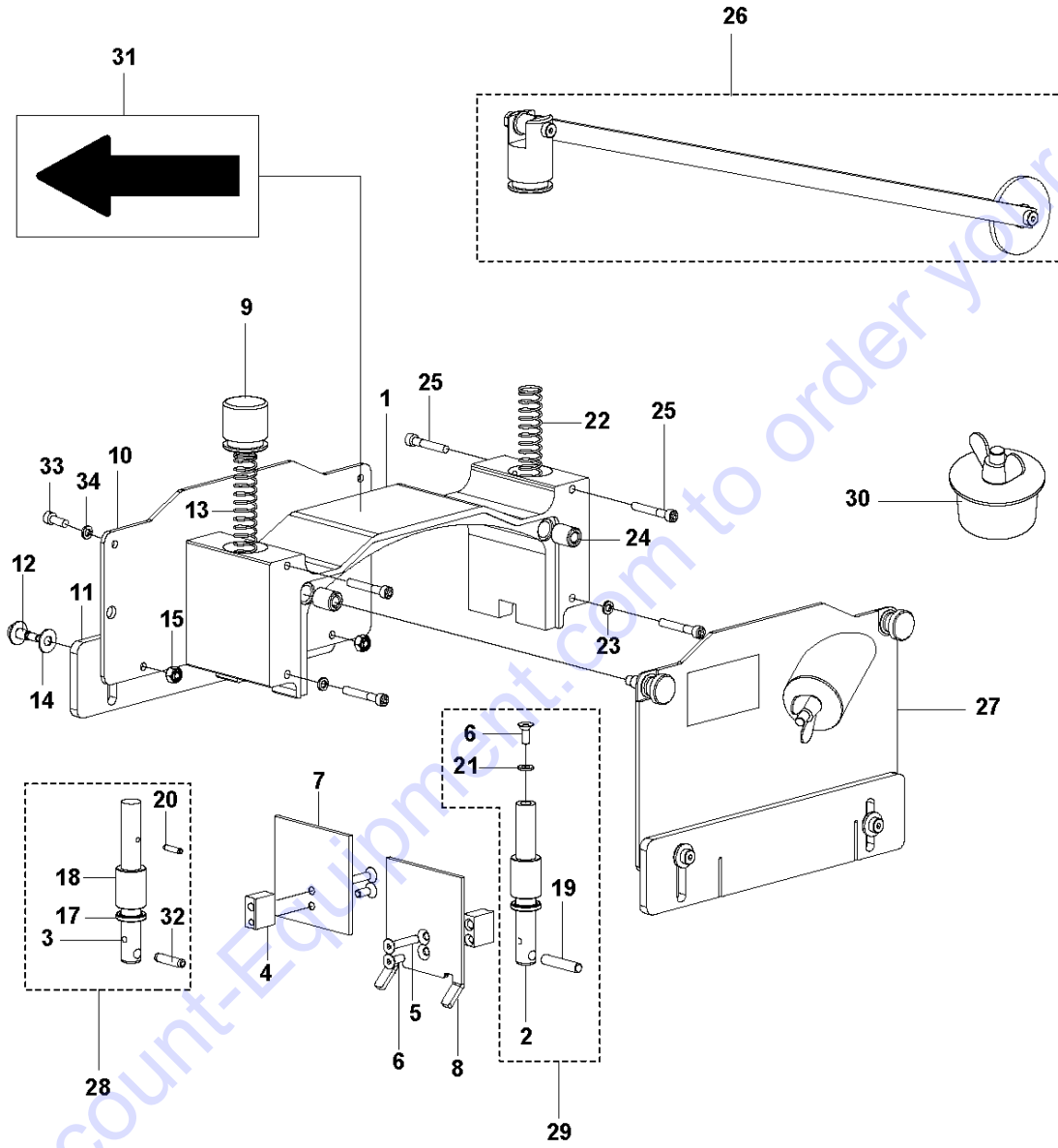


Go to Discount-Equipment.com to order your parts

Ref	Part No	Description	Remark	QTY KIT
1	505 87 58-01	HANDLE		1
2	592 73 77-01	HANDLE		1
3	596 32 68-01	HANDLE GRIP		2
4	505 48 27-01	CABLE		1
5	510 33 17-01	TIE WRAP		2
6	505 72 88-01	BOLT		2
8	505 63 20-01	WASHER		2
9	587 05 74-01	CABLE CLAMP		4
10	505 63 53-01	WASHER		4
11	505 63 31-01	WASHER		4
12	505 72 97-01	BOLT		4
13	574 71 98-01	KIT		1
15	595 08 41-01	DECAL		2
16	582 18 54-01	DECAL		1

Go to Discount-Equipment.com to order your parts

G SOFF CUT 150
BLADE BLOCK ASSEMBLY



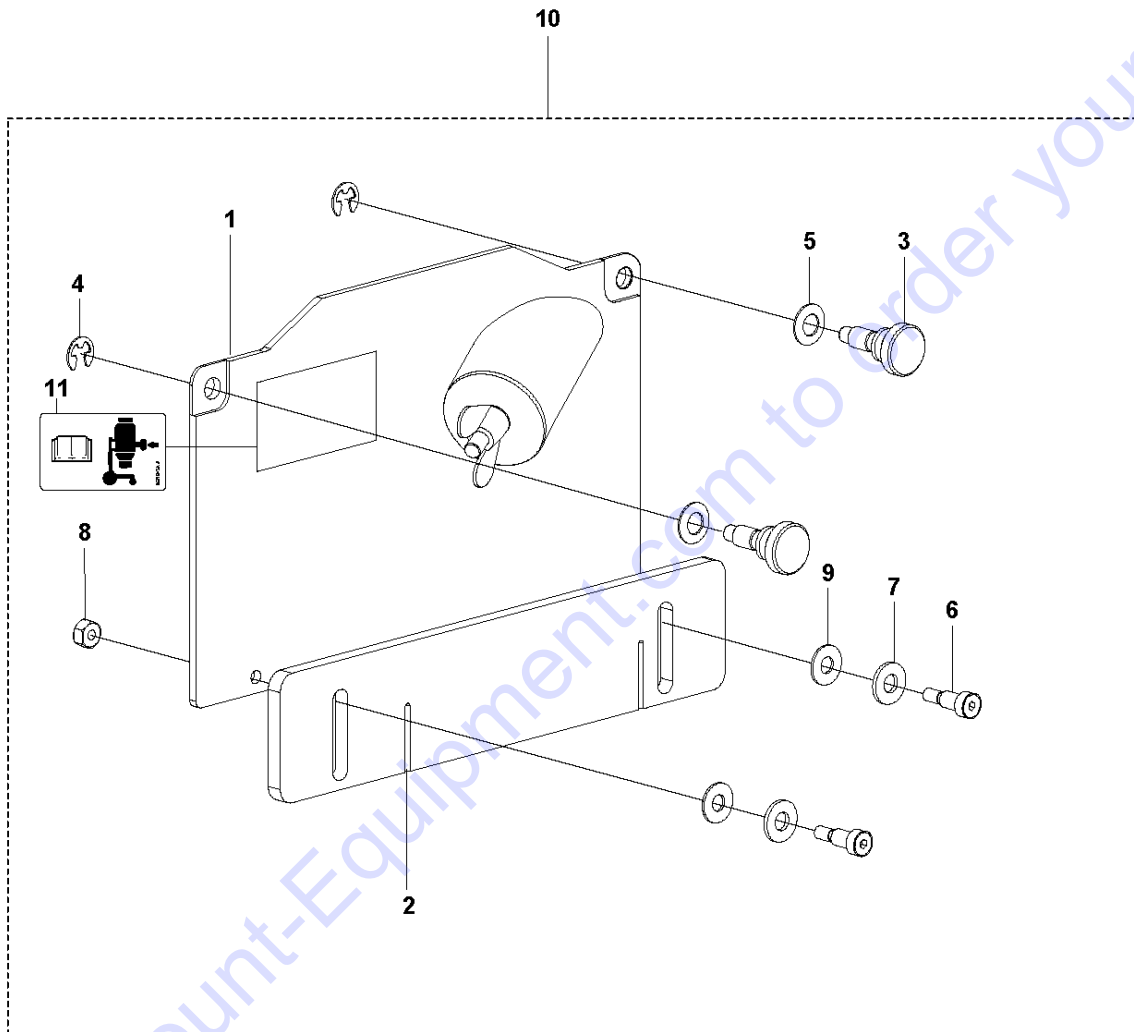
BLADE BLOCK

SOFF CUT 150, 2019-02

Ref	Part No	Description	Remark	QTY	KIT
1	505 58 78-01	BLADE		1	
2	505 58 82-01	FRONT AXLE ASSY		1	29
3	505 58 85-01	REAR AXLE		1	28
4	505 58 88-01	SPACER		2	
5	510 32 55-01	SCREW		2	
6	505 72 99-01	SCREW		3	
7	505 58 77-01	PLATE		1	
8	510 33 77-01	PLATE		1	
9	505 58 86-01	CAP		1	
10	505 58 76-01	REAR COVER		1	
11	505 58 79-01	INNER PLATE		1	
12	505 68 64-01	BOLT		2	
13	505 59 30-01	SPRING		1	
14	505 63 44-01	WASHER		4	
15	505 63 04-01	NUT		2	
17	505 59 35-01	DUST SEAL		2	28
18	505 59 34-01	BUSHING		2	28
19	505 77 40-01	PLATE		1	29
20	505 59 27-01	PIN		1	
21	734 11 46-01	WASHER		1	
22	505 59 31-01	SPRING		1	
23	505 63 31-01	WASHER		2	
24	505 74 83-01	INSERT		2	
25	505 59 14-01	BOLT		5	
26	582 67 35-01	POINTER		1	
27	589 94 90-01	COVER		1	
28	505 87 62-01	REAR AXLE		1	
29	505 87 61-01	FRONT AXLE ASSY		1	
30	593 68 20-01	PLUG		1	
31	582 18 57-01	DECAL		1	
32	587 91 82-01	PIN		1	
33	505 72 97-01	BOLT		1	
34	505 63 31-01	WASHER		1	

Go to Discount-Equipment.com to order your parts

H SOFF CUT 150
BLADE BLOCK COVER

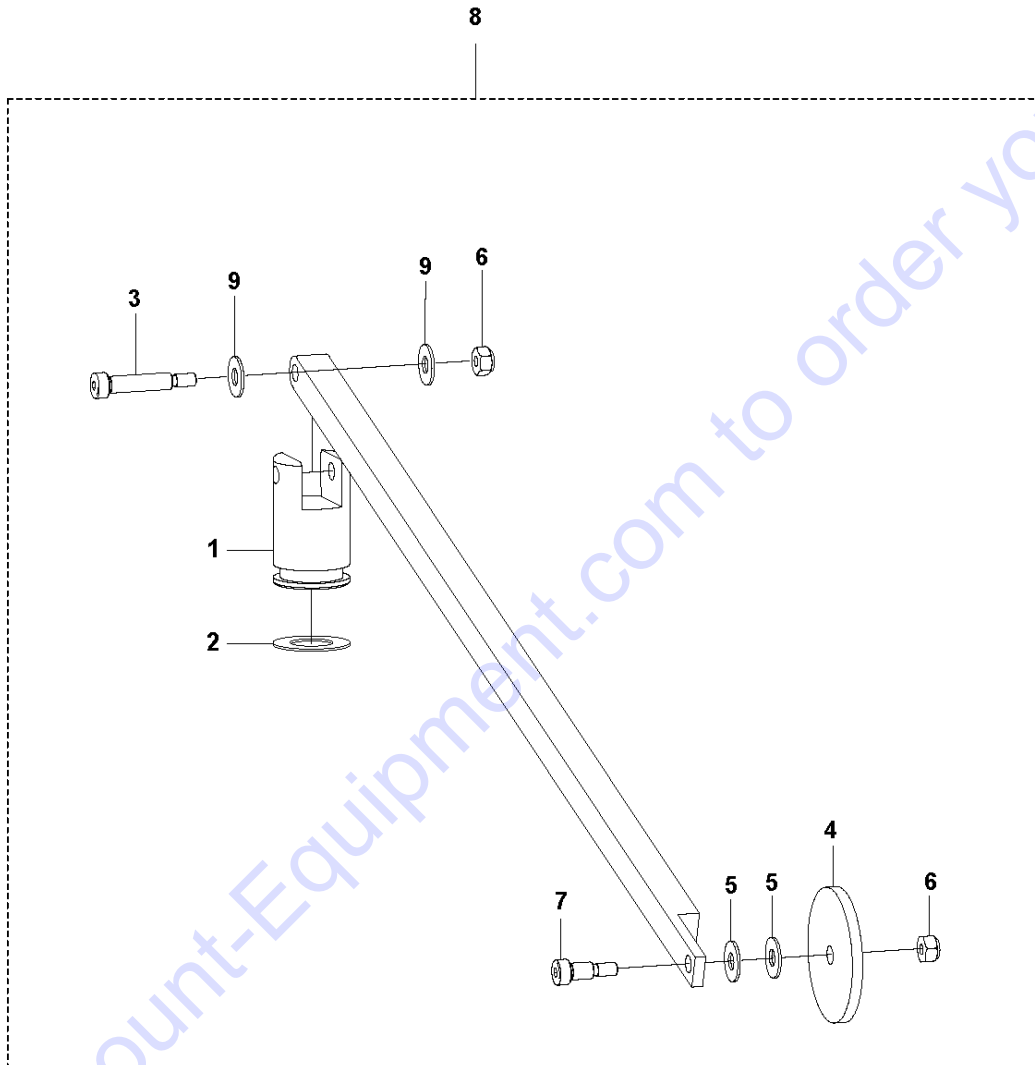


Go to Discount-Equipment.com to order your parts

Ref	Part No	Description	Remark	QTY KIT
1	589 41 99-01	COVER		1
2	505 58 80-01	BRACKET		1
3	505 53 63-01	KNOB		2
4	505 53 65-01	E-CLIP		2
5	505 53 64-01	WASHER		2
6	505 68 64-01	BOLT		2
7	505 63 44-01	WASHER		4
8	505 63 04-01	NUT		2
9	505 63 44-01	WASHER		4
10	589 94 90-01	COVER	Complete	1
11	597 02 69-01	DECAL		1

Go to Discount-Equipment.com to order your parts

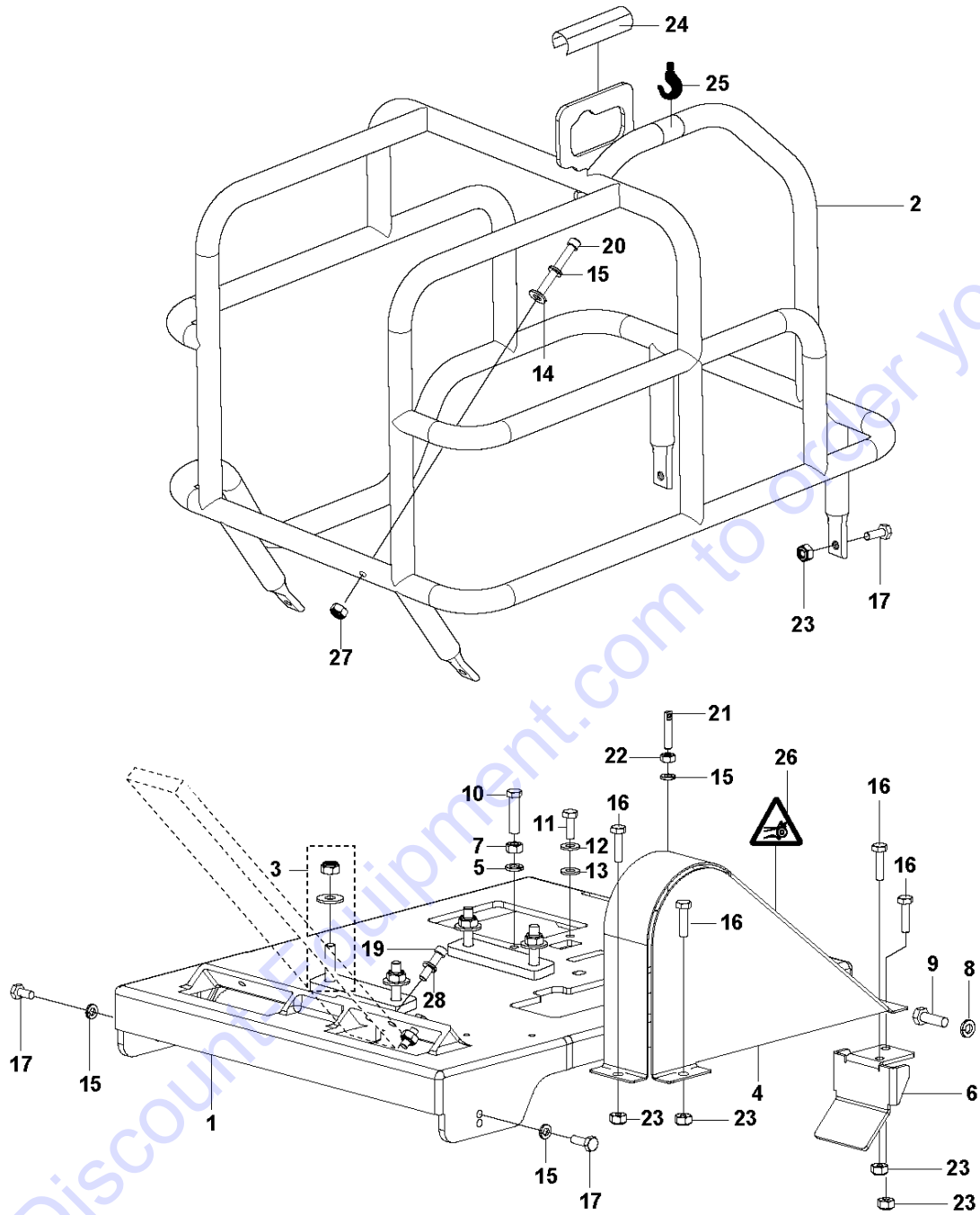
**SOFF CUT 150
GUIDE ARM ASSEMBLY**



Ref	Part No	Description	Remark	QTY KIT
1	582 65 38-01	CAP		1
2	589 77 25-01	GASKET		1
3	505 72 59-01	BOLT		1
4	505 61 42-01	DISC		1
5	505 63 44-01	WASHER		2
6	505 63 04-01	NUT		2
7	505 68 64-01	BOLT		1
8	582 67 35-01	POINTER	Complete	1
9	505 63 20-01	WASHER		2

Go to Discount-Equipment.com to order your parts

J SOFF CUT 150
MAIN FRAME ASSEMBLY



FRAME

SOFF CUT 150, 2019-02

Ref	Part No	Description	Remark	QTY KIT
1	505 58 65-01	BOTTOM BLADE		1
2	596 04 12-01	FRAME ASSY		1
3	589 39 56-01	ENGINE PLATE	Kit	1
4	582 10 59-01	GUARD		1
5	539 99 07-17	NUT		4
6	505 58 95-01	COVER		1
7	541 20 47-80	WASHER		4
8	505 63 30-01	WASHER		3
9	539 99 02-09	SCREW		2
10	505 68 77-01	BOLT		4
11	522 44 26-01	BOLT		1
12	505 73 24-01	NUT		1
13	505 63 30-01	WASHER		1
14	505 63 20-01	WASHER		1
15	505 63 28-01	WASHER		11
16	582 63 92-01	SCREW		4
17	582 63 92-01	SCREW		6
19	505 72 88-01	BOLT		2
20	505 72 89-01	BOLT		1
21	505 77 45-01	ANCHOR		1
22	505 63 19-01	NUT		1
23	505 63 05-01	NYLOC NUT 1/4-20 CAD PL.		9
24	589 39 45-01	SEALING STRIP		1
25	590 82 16-01	DECAL		1
26	596 99 06-01	DECAL		1
27	505 63 05-01	NYLOC NUT 1/4-20 CAD PL.		1
28	505 63 20-01	WASHER		2

Go to Discount-Equipment.com to order your parts

PARTS FINDER

**Search Website
by Part Number**



**Search Manual
Library For Parts
Manual & Lookup Part
Numbers – Purchase
or Request Quote**

Search Manuals

Enter your information to help us find the right parts manual for your machine.

* Brand:

* Model:

* Serial:

* Part Number:

SEARCH

**Can't Find Part or
Manual? Request Help
by Manufacturer,
Model & Description**

Parts Order Form

Please fill in the following information to help us find the right part for your machine.

Manufacturer:	<input type="text"/>
Model:	<input type="text"/>
Description:	<input type="text"/>
Part Number:	<input type="text"/>
Quantity:	<input type="text"/>
Notes:	<input type="text"/>

REQUEST HELP

Discount-Equipment.com is your online resource for quality parts & equipment.

Florida: **561-964-4949** Outside Florida TOLL FREE: **877-690-3101**

Need parts?

Click on this link: <http://www.discount-equipment.com/category/5443-parts/> and choose one of the options to help get the right parts and equipment you are looking for. Please have the machine model and serial number available in order to help us get you the correct parts. If you don't find the part on the website or on one of the online manuals, please fill out the request form and one of our experienced staff members will get back to you with a quote for the right part that your machine needs.

We sell worldwide for the brands: Genie, Terex, JLG, MultiQuip, Mikasa, Essick, Whiteman, Mayco, Toro Stone, Diamond Products, Generac Magnum, Airman, Haulotte, Barreto, Power Blanket, Nifty Lift, Atlas Copco, Chicago Pneumatic, Allmand, Miller Curber, Skyjack, Lull, Skytrak, Tsurumi, Husquvarna Target, Stow, Wacker, Sakai, Mi-T-M, Sullair, Basic, Dynapac, MBW, Weber, Bartell, Bennar Newman, Haulotte, Ditch Runner, Menegotti, Morrison, Contec, Buddy, Crown, Edco, Wyco, Bomag, Laymor, EZ Trench, Bil-Jax, F.S. Curtis, Gehl Pavers, Heli, Honda, ICS/PowerGrit, IHI, Partner, Imer, Clipper, MMD, Koshin, Rice, CH&E, General Equipment, Amida, Coleman, NAC, Gradall, Square Shooter, Kent, Stanley, Tamco, Toku, Hatz, Kohler, Robin, Wisconsin, Northrock, Oztec, Toker TK, Rol-Air, APT, Wylie, Ingersoll Rand / Doosan, Innovatech, Con X, Ammann, Mecalac, Makinex, Smith Surface Prep, Small Line, Wanco, Yanmar