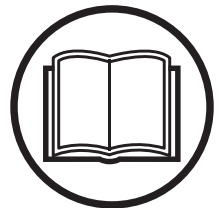


**Operator's manual Manuel d'utilisation
Manual de instrucciones**

DS900 DD



Please read the operator's manual carefully and make sure you understand the instructions before using the machine.

Lire attentivement et bien assimiler le manuel d'utilisation avant d'utiliser la machine.

Lea detenidamente el manual de instrucciones y asegúrese de entender su contenido antes de utilizar la máquina

US CA ES

TO PURCHASE THIS PRODUCT PLEASE CONTACT US



**Equipment Financing and
Extended Warranties Available**



**Discount-Equipment.com is your online resource for
commercial and industrial quality parts and equipment sales.**

561-964-4949

visit us on line @ www.discount-equipment.com

Select an option below to find your Equipment

Search by Manufacturer

Search by Product Type

Request a Quote

We sell worldwide for the brands: Genie, Terex, JLG, MultiQuip, Mikasa, Essick, Whiteman, Mayco, Toro Stone, Diamond Products, Generac Magnum, Airman, Haulotte, Barreto, Power Blanket, Nifty Lift, Atlas Copco, Chicago Pneumatic, Allmand, Miller Curber, Skyjack, Lull, Skytrak, Tsurumi, Husquvarna Target, Stow, Wacker, Sakai, Mi-T-M, Sullair, Basic, Dynapac, MBW, Weber, Bartell, Bennar Newman, Haulotte, Ditch Runner, Menegotti, Morrison, Contec, Buddy, Crown, Edco, Wyco, Bomag, Laymor, EZ Trench, Bil-Jax, F.S. Curtis, Gehl Pavers, Heli, Honda, ICS/PowerGrit, IHI, Partner, Imer, Clipper, MMD, Koshin, Rice, CH&E, General Equipment, Amida, Coleman, NAC, Gradall, Square Shooter, Kent, Stanley, Tamco, Toku, Hatz, Kohler, Robin, Wisconsin, Northrock, Oztec, Toker TK, Rol-Air, APT, Wylie, Ingersoll Rand / Doosan, Innovatech, Con X, Ammann, Mecalac, Makinex, Smith Surface Prep, Small Line, Wanco, Yanmar

KEY TO SYMBOLS

Symbols on the machine

WARNING! The machine can be a dangerous tool if used incorrectly or carelessly, which can cause serious or fatal injury to the operator or others.



Please read the operator's manual carefully and make sure you understand the instructions before using the machine.



Other symbols/decals on the machine refer to special certification requirements for certain markets.

Explanation of warning levels

The warnings are graded in three levels.

WARNING!



WARNING! Used if there is a risk of serious injury or death for the operator or damage to the surroundings if the instructions in the manual are not followed.

CAUTION!



CAUTION! Used if there is a risk of injury to the operator or damage to the surroundings if the instructions in the manual are not followed.

NOTICE!

NOTICE! Used if there is a risk of damage to materials or the machine if the instructions in the manual are not followed.

CONTENTS

Contents

KEY TO SYMBOLS

Symbols on the machine	2
Explanation of warning levels	2

CONTENTS

Contents	3
----------------	---

PRESENTATION

Dear customer!	4
Design and features	4
Stand	4

WHAT IS WHAT?

What is what on the stand?	5
----------------------------------	---

MACHINE'S SAFETY EQUIPMENT

General	6
Carriage lock	6
End stop on the rail	6

OPERATING

Steps before using a new stand	7
Protective equipment	7
General safety precautions	8
General working stand safety warnings	8
Secure the stand	9
Assembly of drill motor	9
Adjust the column tilt	10
Before drilling	10
Drill motor spacer block	10
Recommended drill diameter	10
When drilling	11
Transport wheels	11
Change drill column	11

MAINTENANCE

Stand maintenance	12
-------------------------	----

TECHNICAL DATA

Technical data	14
----------------------	----

US WARRANTY STATEMENT

WARRANTY POLICY	15
EQUIPMENT	15

PRESENTATION

Dear customer!

Thank you for choosing a Husqvarna product!

It is our wish that you will be satisfied with your product and that it will be your companion for a long time. A purchase of one of our products gives you access to professional help with repairs and services. If the retailer who sells your machine is not one of our authorised dealers, ask him for the address of your nearest service workshop.

This operator's manual is a valuable document. Make sure it is always at hand at the work place. By following its content (operating, service, maintenance etc.) the life span and the second-hand value of the machine can be extended. If you ever lend or sell this machine, make sure that the borrower or buyer gets the operator's manual, so they will also know how to properly maintain and use it.

More than 300 years of innovation

Husqvarna AB is a Swedish company based on a tradition that dates back to 1689, when the Swedish King Karl XI ordered the construction of a factory for production of muskets. At that time, the foundation was already laid for the engineering skills behind the development of some of the world's leading products in areas such as hunting weapons, bicycles, motorcycles, domestic appliances, sewing machines and outdoor products.

Husqvarna is the global leader in outdoor power products for forestry, park maintenance and lawn and garden care, as well as cutting equipment and diamond tools for the construction and stone industries.

Owner responsibility

It is the owner's/employer's responsibility that the operator has sufficient knowledge about how to use the machine safely. Supervisors and operators must have read and understood the Operator's Manual. They must be aware of:

- The machine's safety instructions.
- The machine's range of applications and limitations.
- How the machine is to be used and maintained.

National legislation could regulate the use of this machine. Find out what legislation is applicable in the place where you work before you start using the machine.

Local regulations could restrict the use of this machine. Find out what regulations are applicable where you work before you start using the machine.

The manufacturer's reservation

Subsequent to publishing this manual Husqvarna may issue additional information for safe operation of this product. It is the owner's obligation to keep up with the safest methods of operation.

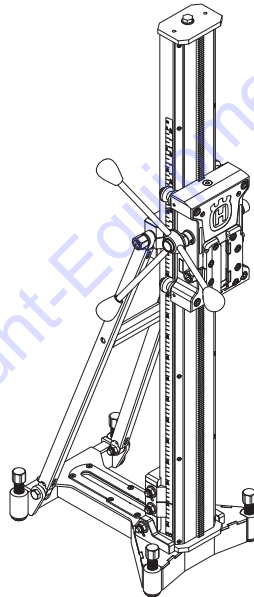
Husqvarna AB has a policy of continuous product development and therefore reserves the right to modify the design and appearance of products without prior notice.

Design and features

Values such as high performance, reliability, innovative technology, advanced technical solutions and environmental considerations distinguish Husqvarna's products. Safe operation of this product requires the operator to read this manual carefully. Ask your dealer or Husqvarna should you need more information.

Some of the unique features of your product are described below.

Stand DS900 DD

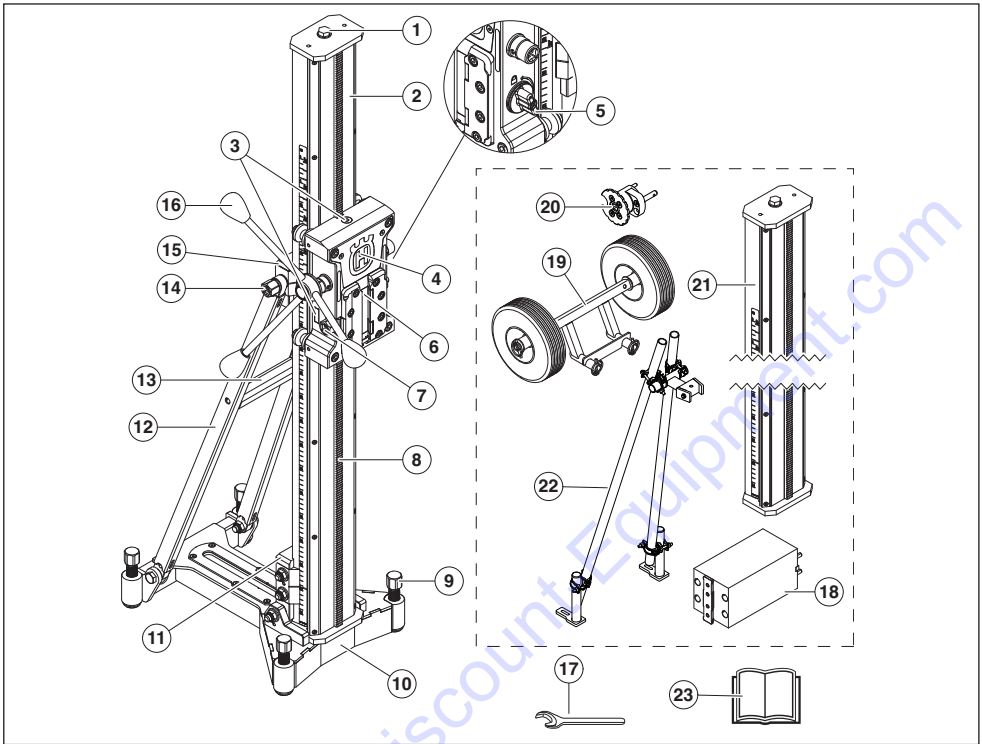


- The stand is for drilling in ceilings, walls and floors.
- The drill stand is stable and can handle large drill dimensions.
- The column can be tilted 0-60° and has a long feeding length.
- The drill stand is equipped with a quick connection plate for the drillmotor.
- The feed lever can be used to set the column tilt and to lock the quick mounting.
- It is possible to use an 2 metre long drill column on this stand.

Accessories

- Transport wheels
- Drill motor spacer block
- AD bracket
- Drill column, 2 m
- Long back support, with drill column, 2 m

WHAT IS WHAT?



What is what on the stand?

- | | |
|---|---|
| 1 Jacking screw | 13 Carrying handle |
| 2 Drill column | 14 Locking screw, column tilt |
| 3 Level indicator | 15 Locking clamp, stabilizer/drill column |
| 4 Carriage | 16 Feeder handle |
| 5 Carriage lock | 17 Open-ended spanner, NV 24 |
| 6 Locking clamp, quick mounting | 18 Drill motor spacer block (accessory) |
| 7 Locking screw, locking clamp | 19 Transport wheels (accessory) |
| 8 Gear rack | 20 AD bracket (accessory) |
| 9 Leveling adjustment screws | 21 Drill column, 2 m (accessory) |
| 10 Base plate | 22 Long back support (accessory) |
| 11 Locking clamp, base plate/drill column | 23 Operator's manual |
| 12 Stabilizer | |

MACHINE'S SAFETY EQUIPMENT

General



Never use a machine with faulty safety equipment. The machine's safety equipment must be checked and maintained as described in this section. If your machine fails any of these checks contact Discount-equipment to get it repaired.

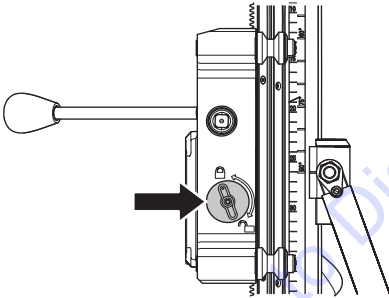
This section describes the machine's safety equipment, its purpose, and how checks and maintenance should be carried out to ensure that it operates correctly.

Carriage lock

The carriage lock is used for example when replacing the drill bit and mounting the drill motor. The lock consists of a knob that locks the carriage to the drill column.

Carriage lock inspection

- Turn the knob to lock it.
- Feel by hand that the carriage is locked to the drill column.

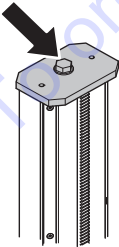


End stop on the rail

The end stop is to prevent the carriage leaving the rails.

Checking the end stop

- Make sure the end stop is in place.



OPERATING

Steps before using a new stand

- Please read the operator's manual carefully and make sure you understand the instructions before using the machine.
- This machine is designed for and intended for drilling concrete, brick and different stone materials. All other use is improper.
- The machine is intended for use in industrial applications by experienced operators.
- Keep the workplace tidy. Disorder leads to accident risks.
- Also read the operating manual enclosed with the drill motor and check that its performance is compatible with the stand.

Always use common sense

It is not possible to cover every conceivable situation you can face. Always exercise care and use your common sense. Avoid all situations which you consider to be beyond your capability. If you still feel uncertain about operating procedures after reading these instructions, you should consult an expert before continuing.

Do not hesitate to contact Discount-equipment if you have any more questions about the use of the machine. We will willingly be of service and provide you with advice as well as help you to use your machine both efficiently and safely.

Let Discount-equipment regularly check the machine and make essential adjustments and repairs.

All information and all data in the Operator's Manual were applicable at the time the Operator's Manual was sent to print.



WARNING! Under no circumstances should you modify the original design of the machine without approval from the manufacturer. Always use original spare parts. Unauthorized modifications and/or accessories may lead to serious injury or death to the user or others.

Protective equipment

General

Do not use the machine unless you are able to call for help in the event of an accident.

Personal protective equipment

You must use approved personal protective equipment whenever you use the machine. Personal protective equipment cannot eliminate the risk of injury but it will reduce the degree of injury if an accident does happen. Ask your dealer for help in choosing the right equipment.



WARNING! The use of products such as cutters, grinders, drills, that sand or form material can generate dust and vapors which may contain hazardous chemicals. Check the nature of the material you intend to process and use an appropriate breathing mask.



WARNING! Long-term exposure to noise can result in permanent hearing impairment. So always use approved hearing protection. Listen out for warning signals or shouts when you are wearing hearing protection. Always remove your hearing protection as soon as the engine stops.



WARNING! There is always a risk of crush injuries when working with products containing moving parts. Wear protective gloves to avoid body injuries.

Always wear:

- Protective helmet
- Hearing protection
- Protective goggles or a visor
- Breathing mask
- Heavy-duty, firm grip gloves.
- Tight-fitting, heavy-duty and comfortable clothing that permits full freedom of movement.
- Boots with steel toe-caps and non-slip sole
- Always have a first aid kit nearby.

Be careful as clothing, long hair, and jewellery can get caught in moving parts.

OPERATING

General safety precautions



WARNING! Read all safety warnings and all instructions. Neglecting to follow the warnings and instructions can lead to serious injury or death for the operator or others.

Work area safety

- **Keep work area clean and well lit.** Cluttered or dark areas invite accidents.
- People and animals can distract you causing you to lose control of the machine. For this reason, always remain concentrated and focused on the task.
- Do not use the machine in bad weather, such as dense fog, heavy rain, strong wind, intense cold, etc. Working in bad weather is tiring and can lead to dangerous conditions, e.g. slippery surfaces.
- Never start to work with the machine before the working area is clear and you have a firm foothold. Look out for any obstacles with unexpected movement. Ensure that no material can become loose and fall, causing injury when operating the machine.
- Always check the rear side of the surface where the drill bit will emerge when drilling right through. Secure and cordon off the area and make sure that no one can be injured or material damaged.

Personal safety



WARNING! There is always a risk of crush injuries when working with products containing moving parts. Always wear protective gloves.

- Wear personal protective equipment. See instructions under the heading "Personal protective equipment".
- Never use the machine if you are tired, if you have drunk alcohol, or if you are taking medication that could affect your vision, your judgement or your coordination.
- Never allow anyone else to use the machine without first ensuring that they have read and understood the contents of the operator's manual.
- Be careful as clothing, long hair, and jewellery can get caught in moving parts.
- Never work alone, always ensure there is another person close at hand. Apart from being able to receive help to assemble the machine, you can also get help if an accident should occur.

Use and care

- Never use a machine that is faulty. Carry out the safety checks, maintenance and service instructions described in this manual. Some maintenance and service measures must be carried out by trained and qualified specialists. See instructions under the heading Maintenance.
- Never use a machine that has been modified in any way from its original specification.
- Keep all parts in good working order and ensure that all fixtures are properly tightened.

Transport and storage

- Store the equipment in a lockable area so that it is out of reach of children and unauthorized persons.
- Store the drilling machine and stand in dry and frost free conditions.

General working stand safety warnings



WARNING! Read all safety warnings and all instructions. Failure to follow the warnings and instructions may result in electric shock, fire and/or serious injury.

NOTICE! Save all warnings and instructions for future reference.

- **Disconnect the plug from the power source and/or the battery pack from the power tool before making any adjustments, changing accessories** Accidental starting of the power tool is a cause of some accidents.
- **Properly assemble the working stand before mounting the tool.** Proper assembly is important to prevent risk of collapse.
- **Securely fasten the power tool to the working stand before use.** Power tool shifting on the working stand can cause loss of control.
- **Place the working stand on a solid, flat and level surface.** When the working stand can shift or rock, the power tool or workpiece cannot be steadily and safely controlled.
- **Do not overload the working stand or use as ladder scaffolding.** Overloading or standing on the working stand causes the stand to be "top-heavy" and likely to tip over.

This stand is for Husqvarna DM machines. Only use power tools designed for this stand.

OPERATING

Secure the stand

There are two methods for fixing the stand.

- Fixing with expander or anchor
- Fixing with threaded rod, washer and lock nut

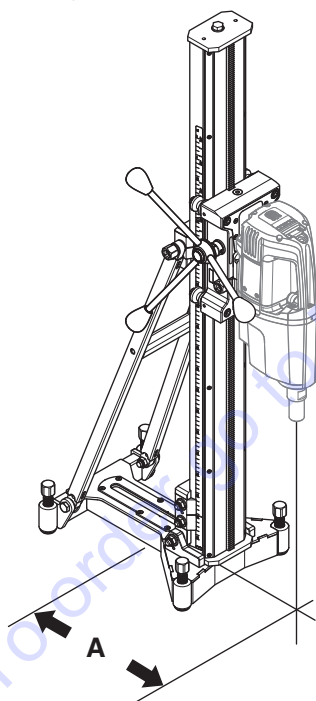
Fixing with expander or anchor



IMPORTANT! When drilling ceilings and walls, only expander or anchor suitable for surfaces exposed to tensile forces should be used.

Use only expander or anchor which is approved for current application.

- Drill a hole for the expander/anchor at a distance (A), 400 mm (15,7") from the centre of the hole. (The measurement applies for use together with DM 650 without spacer.)



- Screw on the base plate. Check carefully that the expander is secured correctly.
- The base plate can be adjusted to the surface with the adjustment screws.

NOTICE! It is a good idea to use the front of the track (closest to the column).

Fixing with threaded rod, washer and lock nut

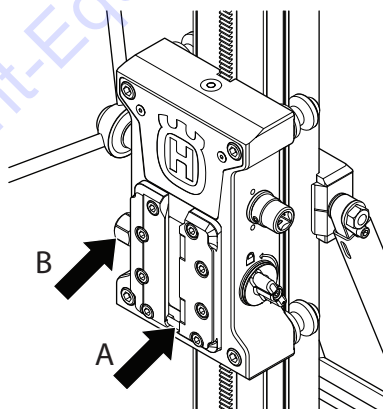
If the mounting surface is inadequate for drilling in ceilings or walls, the base plate can be fixed using a threaded rod, which is mounted on the backside with a washer and lock nut.

Assembly of drill motor



IMPORTANT! Always pull out the plug from the outlet socket before cleaning, maintenance or assembly.

- Always remove the drill bit before the motor is mounted or dismounted.
- Lock the feed housing lock.
- Fit the drilling machine in the track on the locking clamp. Make sure that the drilling machine is pushed all the way to the bottom (A) of the track on the locking clamp. Fasten the locking clamp with the locking screw (B).



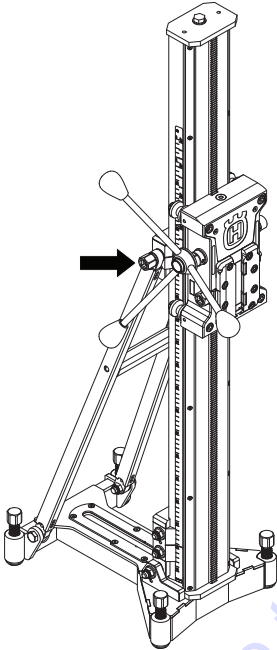
- Mount the adapter plate on the drill motor if it is needed. Not used with Husqvarna's drill motors.

OPERATING

Adjust the column tilt

The drill column can be tilted, recommended range in use is 0-60°.

- Loosen the locking screw for column tilt and set the desired drill angle. Tighten the locking screw.
- The angle indicator can be used for approximate adjustment. If higher precision is required, alternative measuring methods should be used.



Before drilling



WARNING! Before drilling, check that all locking screws are tightened well.

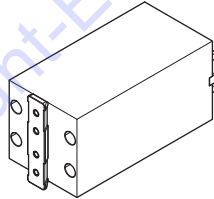
Serious accidents can occur if the concrete core remains in the drill when backing out the drill motor/drill from the floor, wall or ceiling.



WARNING! When drilling ceilings, always use a water collector that is approved for your drill motor, or use a hydraulic drill motor. There is a risk that the drilling machine and the stand become live if water leaks into the machine.

Drill motor spacer block (accessory)

A spacer is used in order to drill large diameters. There are several different versions.



- Assemble the spacer on the drill motor
- Then assemble the drill motor with spacer onto the stand, see section 'Assembly of drill motor'.

Recommended drill diameter

Max. drill bit diameter, inches/mm

Drill motor	Spacer, inch/mm			
	0	50/2	2x 50/2	200/7,9
DM406	19,7/500	600/23,6	700/27,6	900/35,4
DM650	400/15,7	19,7/500	600/23,6	800/31,5
DM280/340	370/14,6	470/18,5	570/22,4	670/26,4

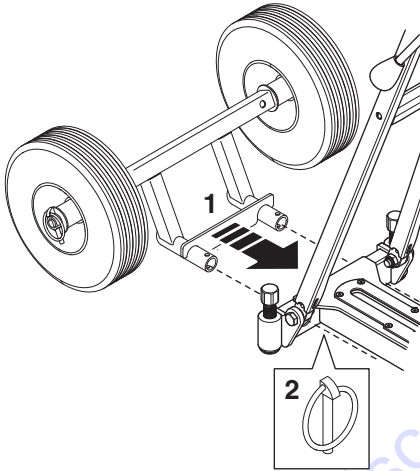
OPERATING

When drilling

NOTICE! Make sure the cable and/or water hose is not pinched between the guide wheel and the column.

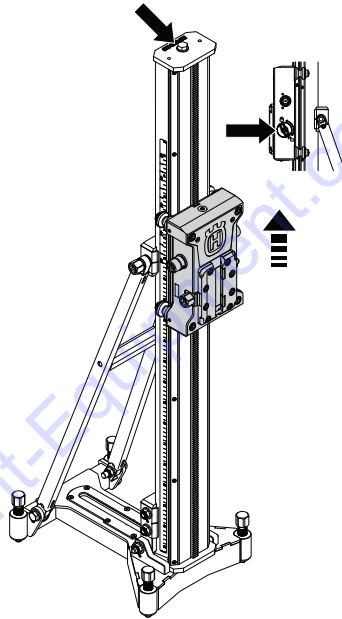
Transport wheels (accessory)

- Position the transport wheel bracket in the hole in the base plate.
- Secure the transport wheels with the clips.

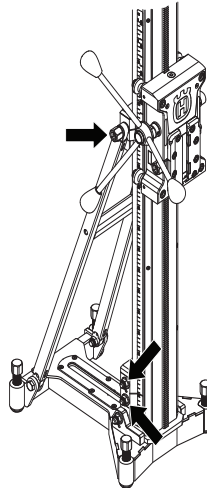


Change drill column (accessory)

- Loosen the top screw and remove the end stop.
- Unlock the feeder housing. Remove the feeder housing from the column.



- Loosen the locking screw for the locking clamp.



- Remove the drill column.
- Assemble the parts in the reverse order.

MAINTENANCE

Stand maintenance



WARNING! Inspection and/or maintenance should be carried out with the motor switched off and the plug disconnected.

The lifetime of your machine can be extended considerably if it is used, cared for and maintained in the proper manner.

Cleaning and lubrication



IMPORTANT! Remove the drill motor.

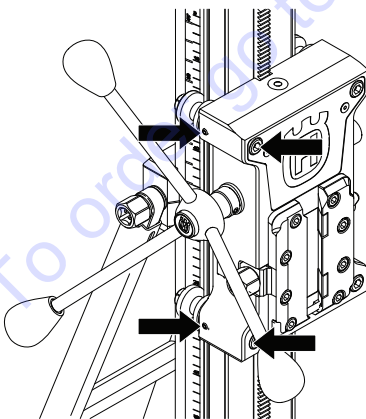
- It is important that the drill stand is kept clean for functionality to be maintained.
- Clean the stand using a high pressure washer and then wipe dry.
- Lubricate the moving parts on the stand. Apply grease to counteract corrosion on the contact surfaces.

Adjusting the guide wheels

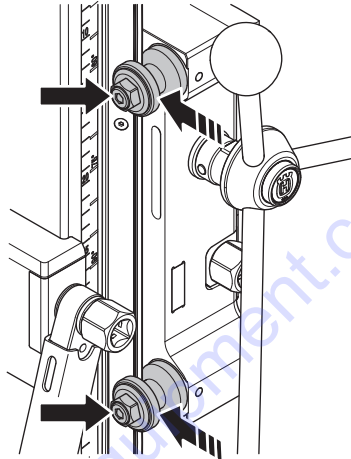
In order for the carriage to run stably and straight, the four guide wheels must rest against the rail and not have too much play.

The surfaces of the carriage guide wheels must be in contact with the V-shaped grooves in the drill column. If there is play between the column and the feed housing, the play must be adjusted.

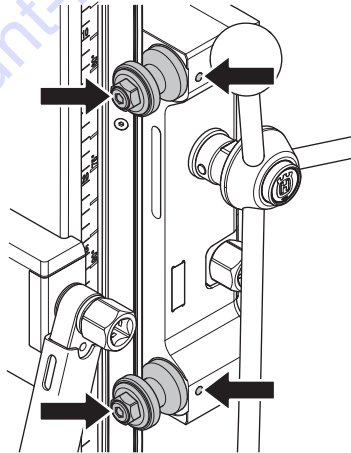
- Loosen the two hexagon screws. Also loosen the two stop screws which locks the two exentric guide wheels.



- Turn the shafts gently until the guide wheels rest against the rail.

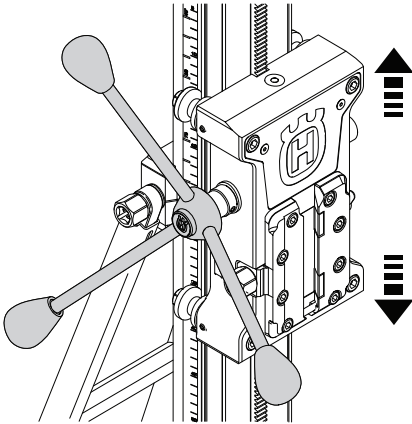


- Hold the shafts in position and tighten the two stop screws.

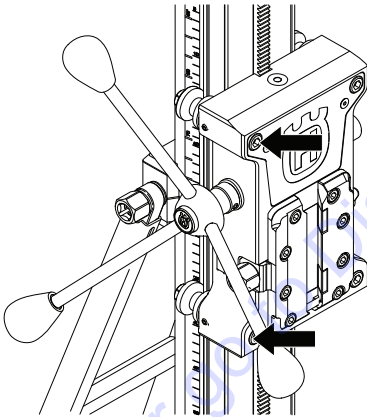


MAINTENANCE

- Use the feed handle to see if the feed housing moves smoothly on the column. If not, adjust the rollers again.



- Then tighten the two hexagon screws.



Repairs



IMPORTANT! All types of repairs may only be carried out by authorised repairmen. This is so that the operators are not exposed to great risks.

Daily Maintenance

- 1 Check that nuts and screws are tight.
- 2 Clean the outside of the machine.
- 3 Check that the feed crank can be moved without resistance.
- 4 Check that the gearing moves easily and does not cause any noise.
- 5 Check for any wear or damage on the column.
- 6 Check that the feed housing can be moved easily and does not backlash against the stand column.
- 7 Make sure there is no other damage to the stand.

TECHNICAL DATA

Technical data

	DS900 DD
Dimensions	
Height, inches/mm	1300 / 51,2
Width, inches/mm	300/11,8
Depth, inches/mm	448/17,6
Weight, kg/lb	24/53
Travel length, inches/mm	950/37,4
Max. drill bit diameter, inches/mm	
With spacer	900/35,4
Without spacer	500/19,7 (DM406)
Maximum load, lb/kg	150/330
The column's angling	0-60°

EXPLICATION DES SYMBOLES

Symboles sur la machine

AVERTISSEMENT! La machine utilisée de manière imprudente ou inadéquate peut devenir un outil dangereux, pouvant causer des blessures graves voire mortelles à l'utilisateur et aux autres personnes présentes.



Lire attentivement et bien assimiler le manuel d'utilisation avant d'utiliser la machine.



Les autres symboles/autocollants présents sur la machine concernent des exigences de certification spécifiques à certains marchés.

Explication des niveaux d'avertissement

Il existe trois niveaux d'avertissement.

AVERTISSEMENT!



AVERTISSEMENT! Symbole utilisé en cas de risque de blessures très graves ou de mort pour l'utilisateur ou de dommages pour les environs si les instructions du manuel ne sont pas suivies.

REMARQUE !



REMARQUE ! Symbole utilisé en cas de risque de blessures pour l'utilisateur ou de dommages pour les environs si les instructions du manuel ne sont pas suivies.

ATTENTION !

ATTENTION ! Symbole utilisé en cas de risque de dommages pour les matériaux ou la machine si les instructions du manuel ne sont pas suivies.

SOMMAIRE

Sommaire

EXPLICATION DES SYMBOLES

Symboles sur la machine	16
Explication des niveaux d'avertissement	16

SOMMAIRE

Sommaire	17
----------------	----

PRÉSENTATION

Cher client,	18
Conception et propriétés	18
Support	19

QUELS SONT LES COMPOSANTS?

Quels sont les composants du support?	20
---	----

ÉQUIPEMENT DE SÉCURITÉ DE LA MACHINE

Généralités	21
Verrouillage carter d'alimentation	21
Butée de rail	21

COMMANDE

Mesures avant utilisation d'un nouveau support ..	22
Équipement de protection	22
Instructions générales de sécurité	23
Consignes générales de sécurité relatives au support de travail	23
Sécuriser le bâti	24
Montage du moteur de forage	24
Régler l'inclinaison de la colonne	25
Avant le forage	25
Séparation moteur de forage	25
Diamètre de foret recommandé	25
Pendant le forage	26
Roues de transport	26
Changement de la colonne de forage	26

ENTRETIEN

Entretien du support	27
----------------------------	----

CARACTÉRISTIQUES TECHNIQUES

Caractéristiques techniques	29
-----------------------------------	----

DECLARATION DE GARANTIE ETATS-UNIS

POLITIQUE DE GARANTIE	30
EQUIPEMENT	30

PRÉSENTATION

Cher client,

Nous vous remercions d'avoir choisi un produit Husqvarna !

Nous espérons que cette machine vous donnera toute satisfaction et qu'elle vous accompagnera pendant de longues années. L'achat de l'un des nos produits garantit une assistance professionnelle pour l'entretien et les réparations. Si la machine n'a pas été achetée chez l'un de nos revendeurs autorisés, demandez l'adresse de l'atelier d'entretien le plus proche.

Ce mode d'emploi est précieux. Veillez à ce qu'il soit toujours à portée de main sur le lieu de travail. En suivant les instructions qu'il contient (utilisation, révision, entretien etc.), il est possible d'allonger considérablement la durée de vie de la machine et d'augmenter sa valeur sur le marché de l'occasion. En cas de vente de la machine, ne pas oublier de remettre le manuel d'utilisation au nouveau propriétaire.

Plus de 300 ans d'innovation

Husqvarna AB est une entreprise suédoise qui a vu le jour en 1689 lorsque le roi Karl XI décida de construire un arsenal pour la fabrication des mousquets. À l'époque, les compétences en ingénierie à la base du développement de certains des produits leaders du marché mondial dans des domaines tels que les armes de chasse, les vélos, les motocycles, l'électroménager, les machines à coudre et les produits d'extérieur, étaient déjà solides.

Husqvarna est le premier fournisseur mondial de produits motorisés pour utilisation en extérieur dans la foresterie, l'entretien de parcs, de pelouses et de jardins, ainsi que d'équipements de coupe et d'outils diamant destinés aux industries de la construction et de la pierre.

Responsabilité du propriétaire

Il est de la responsabilité du propriétaire/de l'employeur de s'assurer que l'utilisateur possède les connaissances nécessaires pour manipuler la machine en toute sécurité. Les responsables et les utilisateurs doivent avoir lu et compris le Manuel d'utilisation. Ils doivent avoir conscience :

- Des instructions de sécurité de la machine.
- Des diverses applications de la machine et de ses limites.
- De la façon dont la machine doit être utilisée et entretenue.

La législation nationale peut réglementer l'utilisation de cette machine. Recherchez la législation applicable dans le lieu où vous travaillez avant d'utiliser la machine.

Les législations locales peuvent limiter l'utilisation de cette machine. Recherchez les législations applicables pour le lieu où vous travaillez avant d'utiliser la machine.

Droit de réserve du fabricant

Husqvarna peut éditer des informations complémentaires concernant l'utilisation de ce produit en toute sécurité après la publication du présent manuel. Il incombe au propriétaire de se tenir informé des méthodes d'utilisation les plus sûres.

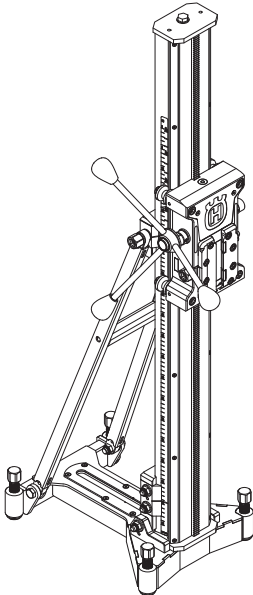
Husqvarna AB travaille continuellement au développement de ses produits et se réserve le droit d'en modifier, entre autres, la conception et l'aspect sans préavis.

Conception et propriétés

Les produits Husqvarna se distinguent par des valeurs telles que la haute performance, la fiabilité, la technologie innovante, les solutions techniques de pointe et les considérations environnementales. Pour utiliser ce produit en toute sécurité, l'utilisateur doit lire le manuel avec attention. Contactez votre revendeur Husqvarna pour obtenir de plus amples informations.

Certaines des caractéristiques uniques de votre produit sont décrites ci-dessous.

Support DS900 DD

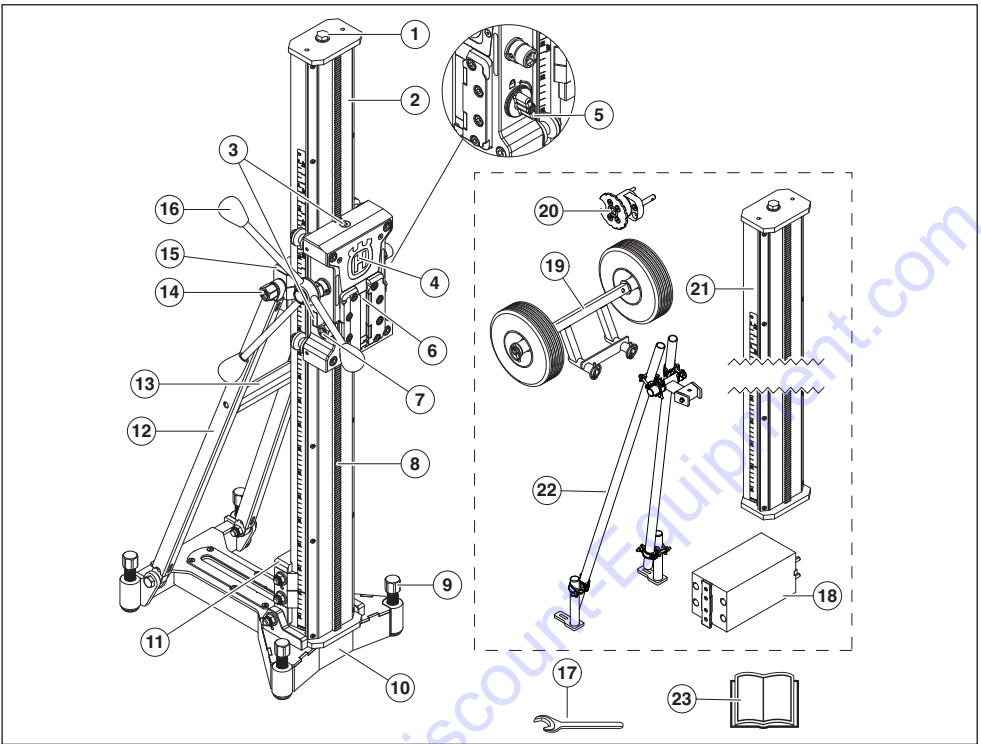


- Ce support est destiné au forage dans les plafonds
- Le bâti de forage est stable et peut prendre en charge des forets de grande taille.
- La colonne peut être inclinée de 0 à 60° et bénéficie d'une grande longueur d'alimentation.
- Le bâti de forage est équipé d'une plaque à raccordement rapide pour le moteur de forage.
- Le levier d'alimentation peut être utilisé pour ajuster l'inclinaison souhaitée de la colonne et verrouiller le support rapide.
- Il est possible d'utiliser le long rail sur le bâti de forage.

Accessoires

- Roues de transport
- Séparation moteur de forage
- Support AD
- Pilier de forage, 2 m
- Support arrière long, perceuse à colonne, 2 m

QUELS SONT LES COMPOSANTS?



Quels sont les composants du support?

- | | | | |
|----|--|----|--|
| 1 | Vis de calage | 13 | Poignée pour le transport |
| 2 | Pilier de forage | 14 | Vis de fixation, orientation du pilier de forage |
| 3 | Indicateur de manette | 15 | Cale de blocage, stabilisateur/colonne de forage |
| 4 | Carter d'alimentation | 16 | Poignée d'avance |
| 5 | Verrouillage carter d'alimentation | 17 | Clé plate, NV 24 |
| 6 | Cale de blocage, montage rapide | 18 | Séparation moteur de forage (accessoire) |
| 7 | Vis de fixation, attache | 19 | Roues de transport (accessoire) |
| 8 | Crémaillère | 20 | Support AD (accessoire) |
| 9 | Vis de réglage | 21 | Pilier de forage, 2 m (accessoire) |
| 10 | Socle | 22 | Support arrière long (accessoire) |
| 11 | Cale de blocage, socle/colonne de forage | 23 | Manuel d'utilisation |
| 12 | Stabilisateur | | |

ÉQUIPEMENT DE SÉCURITÉ DE LA MACHINE

Généralités



Ne jamais utiliser une machine dont les équipements de sécurité sont défectueux. Contrôler et entretenir les équipements de sécurité de la machine conformément aux instructions données dans ce chapitre. Si les contrôles ne donnent pas de résultat positif, confier la machine à un atelier spécialisé.

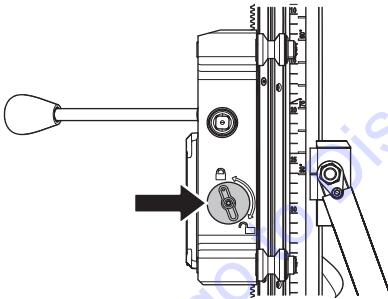
Ce chapitre présente les équipements de sécurité de la machine, leur fonction, comment les utiliser et les maintenir en bon état.

Verrouillage carter d'alimentation

Le verrou du chariot est utilisé lors du remplacement du foret et de la pose du moteur de foret par exemple. Le verrou se compose d'un bouton qui bloque le chariot sur la colonne de forage.

Inspection du verrou du chariot

- Tournez le bouton de façon à le verrouiller.
- Vérifiez à la main que le chariot est bloqué sur la colonne de forage.

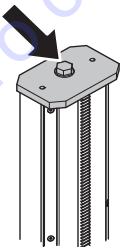


Butée de rail

La butée permet d'éviter que le chariot ne quitte les rails.

Contrôle de la butée

- Vérifiez que la butée est en place.



Mesures avant utilisation d'un nouveau support

- Lire attentivement et bien assimiler le manuel d'utilisation avant d'utiliser la machine.
- Cette machine est conçue pour le perçage du béton, des briques et de différents types de pierres. Toute autre utilisation est incorrecte.
- La machine est conçue pour des applications industrielles et destinée à des opérateurs expérimentés.
- Assurez-vous que le poste de travail est bien rangé. Le désordre augmente les risques d'accident.
- Veuillez également parcourir le mode d'emploi fourni avec le moteur de forage et vérifier que les performances de ce dernier sont compatibles avec le support.

Utilisez toujours votre bon sens

Il est impossible de mentionner toutes les situations auxquelles vous pouvez être confronté. Soyez toujours vigilant et utilisez l'appareil avec bon sens. Évitez toutes les situations pour lesquelles vous ne vous estimez pas suffisamment qualifié. Si, après avoir lu ces instructions, vous ne vous sentez toujours pas à l'aise quant à la manière de procéder, il convient de consulter un expert avant de poursuivre.

N'hésitez pas à prendre contact avec votre revendeur si vous avez des questions sur l'utilisation de la machine. Nous sommes à votre disposition et vous conseillerons avec plaisir pour vous aider à utiliser votre machine en toute sécurité et de façon efficace.

Faites régulièrement contrôler la machine par votre revendeur Husqvarna afin qu'il procède aux installations et réparations adéquates.

Toutes les informations et toutes les données indiquées dans ce manuel d'utilisation étaient valables à la date à laquelle ce manuel a été porté à l'impression.



AVERTISSEMENT! Ne jamais modifier, sous aucun prétexte, la construction initiale de la machine sans l'autorisation du fabricant. N'utiliser que des accessoires et des pièces d'origine. Toute modification non autorisée et/ou tout emploi d'accessoires non homologués peuvent provoquer des accidents graves voire mortels pour l'utilisateur et les autres.

Équipement de protection

Généralités

Ne jamais utiliser une machine s'il n'est pas possible d'appeler au secours en cas d'accident.

Équipement de protection personnelle

Un équipement de protection personnelle homologué doit impérativement être utilisé lors de tout travail avec la machine. L'équipement de protection personnelle n'élimine pas les risques mais réduit la gravité des blessures en cas d'accident. Demander conseil au concessionnaire afin de choisir un équipement adéquat.



AVERTISSEMENT! L'utilisation de produits tels que des ciseaux, des disques, des forets, des disques fins ou des formes peut générer de la poussière et des vapeurs pouvant contenir des substances chimiques toxiques. Vérifiez la composition du matériel avec lequel vous travaillez et portez un masque respiratoire adapté.



AVERTISSEMENT! Une exposition prolongée au bruit risque de causer des lésions auditives permanentes. Toujours utiliser des protecteurs d'oreille agréés. Soyez toujours attentifs aux signaux d'alerte ou aux appels en portant des protège-oreilles. Enlevez-les sitôt le moteur arrêté.



AVERTISSEMENT! Le risque de coincement est toujours présent lors de travail avec des produits comportant des éléments mobiles. Utiliser des gants de protection pour éviter les blessures personnelles.

Toujours utiliser:

- Casque de protection
- Protecteur d'oreilles
- Lunettes protectrices ou visière
- Masque respiratoire
- Gants solides permettant une prise sûre.
- Vêtements confortables, robustes et serrés qui permettent une liberté totale de mouvement.
- Bottes avec coquille en acier et semelle antidérapante
- Une trousse de premiers secours doit toujours être disponible.

Attention! Les habits, les cheveux longs et les bijoux peuvent se coincer dans les parties en mouvement.

COMMANDE

Instructions générales de sécurité



AVERTISSEMENT! Lire toutes les consignes et instructions de sécurité. Le non-respect des instructions et avertissements suivants peut provoquer des accidents graves voire mortels, à l'utilisateur ou à d'autres personnes.

Sécurité dans l'espace de travail

- **Maintenir un espace de travail propre et bien éclairé.** Les espaces encombrés ou sombres exposent à des accidents.
- Des personnes ou des animaux peuvent détourner l'attention de l'opérateur et l'amener à perdre le contrôle de la machine. C'est pourquoi l'opérateur doit toujours être attentif et concentré sur son travail.
- Ne pas travailler par mauvais temps: brouillard épais, pluie diluvienne, vent violent, grand froid, etc. Travailler par mauvais temps est fatiguant et peut créer des conditions de travail dangereuses telles que le verglas.
- Ne jamais commencer à travailler avec la machine sans avoir le champ libre et les pieds bien d'aplomb. Identifier les obstacles éventuels dans le cas de déplacement inattendu. S'assurer qu'aucun matériau ne risque de tomber et de provoquer des blessures ou des dommages lors de travail avec la machine.
- Contrôlez toujours la partie arrière de la surface traversée par le trépan. Délimitez la zone de travail et vérifiez que personne ne peut être blessé ni aucun matériau endommagé.

Sécurité du personnel



AVERTISSEMENT! Le risque de coincement est toujours présent lors de travail avec des produits comportant des éléments mobiles. Toujours utiliser des gants de protection.

- Utiliser les équipements de protection personnelle. Voir au chapitre "Équipement de protection personnelle".
- Éviter d'utiliser la machine en cas de fatigue, d'absorption d'alcool ou de prise de médicaments susceptibles d'affecter l'acuité visuelle, le jugement ou la maîtrise du corps.
- Ne jamais laisser d'autres personnes utiliser la machine sans s'être assuré au préalable que ces personnes ont bien compris le contenu du mode d'emploi.
- Attention! Les habits, les cheveux longs et les bijoux peuvent se coincer dans les parties en mouvement.
- Ne travaillez jamais seul, mais toujours avec une personne à proximité. Cette personne peut aider à monter la machine, mais aussi intervenir en cas d'accident.

Utilisation et entretien

- Ne jamais utiliser une machine qui n'est pas en parfait état de marche. Appliquer les instructions de maintenance et d'entretien ainsi que les contrôles de sécurité indiqués dans ce manuel d'utilisation. Certaines mesures de maintenance et d'entretien doivent être confiées à un spécialiste dûment formé et qualifié. Voir les instructions à la section Maintenance.
- Ne jamais utiliser une machine qui a été modifiée au point de ne plus être conforme au modèle original.
- Assurez-vous que toutes les pièces sont en état de fonctionnement et que tous les éléments de fixation sont correctement serrés.

Transport et rangement

- Stockez l'équipement dans un endroit verrouillé afin de le maintenir hors de portée des enfants et de toute personne incompétente.
- Stockez la perceuse et le support dans un endroit sec et à l'abri du gel.

Consignes générales de sécurité relatives au support de travail



AVERTISSEMENT! Lire toutes les consignes et instructions de sécurité. Le non-respect des consignes et instructions peut provoquer une électrocution, un incendie et/ou des blessures graves.

ATTENTION ! Conserver toutes ces consignes et instructions pour toute consultation ultérieure.

- **Débranchez la fiche de la prise et/ou le bloc de batteries de l'outil à moteur avant de procéder aux réglages ou de changer les accessoires** Un démarrage accidentel de l'outil à moteur peut entraîner des accidents.
- **Assemblez correctement le support de travail avant de monter l'outil.** Un assemblage correct est essentiel pour réduire le risque d'effondrement.
- **Fixez et sécurisez l'outil à moteur sur le support de travail avant toute utilisation.** Vous risquez de perdre le contrôle si l'outil à moteur bouge sur le support de travail.
- **Placez le support de travail sur une surface solide, plate et régulière.** Si le support de travail risque de se déplacer ou de bouger, vous pourriez ne plus pouvoir contrôler l'outil à moteur ou la pièce de travail de façon ferme et sûre.
- **Ne surchargez pas le support de travail et ne l'utilisez pas comme échafaudage.** En cas de surcharge ou si vous montez sur le support, l'ensemble risque de se renverser en raison d'une répartition inégale du poids.

Ce support est destiné aux machines Husqvarna DM. Utilisez uniquement des outils à moteur conçus pour ce support.

Sécuriser le bâti

Il y a deux méthodes de fixation du bâti.

- Fixation avec mandrin expansible ou ancrage
- Fixation avec tige filetée, rondelle et contre-écrou

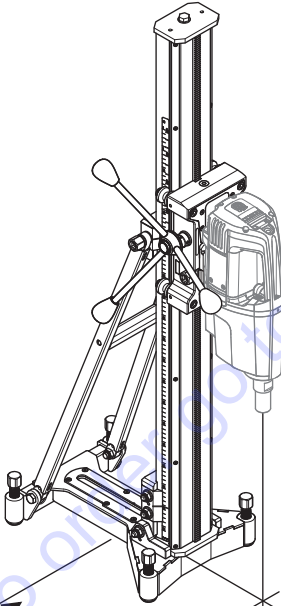
Fixation avec mandrin expansible ou ancrage



IMPORTANT! Pour le forage de plafonds et de murs, il convient de n'utiliser qu'un mandrin expansible ou un ancrage adapté aux surfaces exposées à des forces de traction.

N'utiliser qu'un mandrin expansible ou un ancrage approuvé pour la présente application.

- Percez un trou pour le mandrin expansible/ancrage à une distance (A) de 400 mm (15,7") du centre du trou. (Cette mesure s'applique pour une utilisation avec le DM 650 sans entretoise.)



- Vissez le socle. Contrôlez soigneusement que la vis d'expansion est bien ancrée.
- Le socle peut être ajusté à la surface à l'aide des vis de réglage.

ATTENTION ! Il est préférable d'utiliser l'avant du rail (le côté proche de la colonne).

Fixation avec tige filetée, rondelle et contre-écrou

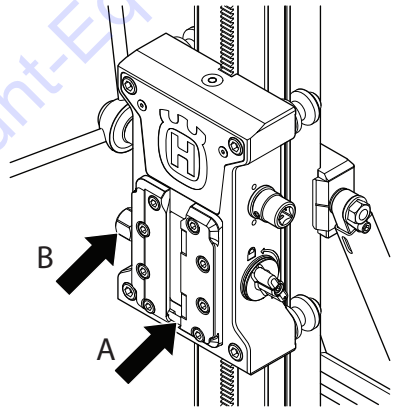
Si la surface de montage n'est pas adéquate pour le forage dans des plafonds ou des murs, le socle peut être fixé à l'aide d'une tige filetée montée à l'arrière avec une rondelle et un contre-écrou.

Montage du moteur de forage



IMPORTANT! Toujours débrancher la prise avant le nettoyage, l'entretien et le montage.

- Retirez toujours le trépan avant de monter ou de déposer le moteur.
- Enclenchez le dispositif de blocage du boîtier de commande.
- Placez la foreuse dans le rail sur la cale de blocage. Veillez à ce que la foreuse soit bien insérée jusqu'en bas (A) du rail sur la cale de blocage. Serrez l'attache à l'aide de la vis de fixation (B).



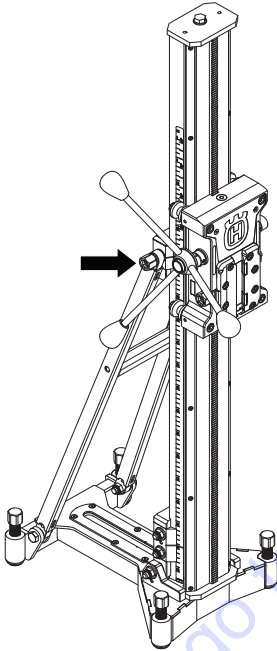
- Montez la plaque d'adaptation sur le moteur de foret, si nécessaire. Ne concerne pas les moteurs de foret Husqvarna.

COMMANDE

Régler l'inclinaison de la colonne

La colonne de forage peut être inclinée. La plage recommandée pendant l'utilisation est de 0 à 60°.

- Desserrez les vis de blocage pour l'inclinaison de la colonne et réglez l'angle de forage souhaité. Serrez la vis de blocage.
- L'indicateur d'angle peut être utilisé pour un réglage approximatif. Si une précision supérieure est nécessaire, il convient d'utiliser des méthodes de mesure alternatives.



Avant le forage



AVERTISSEMENT! Contrôlez, avant de commencer à percer, que toutes les vis de fixation sont bien serrées.

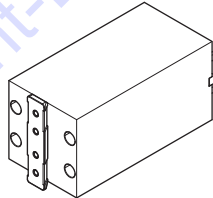
Des accidents graves risquent de se produire si le bloc en béton reste sur le foret quand il est retiré du sol, du mur ou du plafond.



AVERTISSEMENT! Pour le forage de plafonds, utilisez toujours un collecteur d'eau compatible avec votre moteur de forage ; ou utilisez un moteur de forage hydraulique. La perceuse et le bâti risquent d'être sous tension si de l'eau fuit dans la machine.

Séparation moteur de forage (accessoire)

Une entretoise est utilisée pour de plus grands diamètres de forage. Il existe différentes versions.



- Montez l'entretoise sur le moteur de forage
- Puis montez le moteur de foret avec l'entretoise sur le bâti, voir le chapitre « Montage du moteur de foret ».

Diamètre de foret recommandé

Diamètre max. de forage, pouces/mm

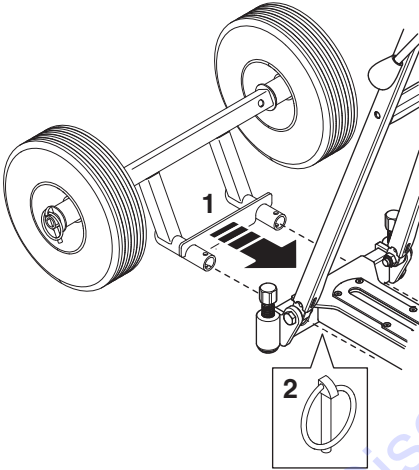
Moteur de forage	Bloc d'entretoise, mm/inch			
	0	50/2	2x 50/2	200/7,9
DM406	19,7/500	600/23,6	700/27,6	900/35,4
DM650	400/15,7	19,7/500	600/23,6	800/31,5
DM280/340	370/14,6	470/18,5	570/22,4	670/26,4

Pendant le forage

ATTENTION ! Vérifiez que le câble et/ou le flexible d'eau ne sont pas pincés entre la roue de guidage et la colonne.

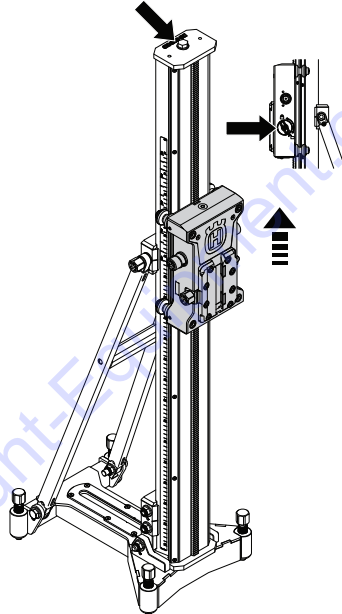
Roues de transport (accessoire)

- Placez le support de la roue de transport dans le trou du socle.
- Fixez les roues de transport à l'aide d'attaches.

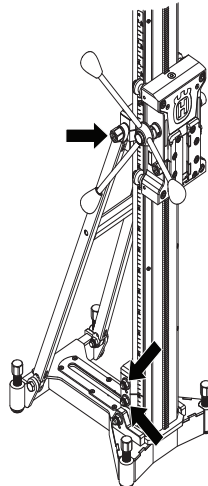


Changement de la colonne de forage (accessoire)

- Desserrez la vis supérieure et déposez la butée.
- Déverrouillez le carter d'alimentation. Séparez le carter d'alimentation du pilier de forage.



- Desserrez la vis de fixation au niveau de l'attache.



- Déposez la colonne de forage.
- Le montage s'effectue dans l'ordre inverse.

ENTRETIEN

Entretien du support



AVERTISSEMENT! Les contrôles et/ou les entretiens doivent être effectués avec le moteur à l'arrêt et la prise électrique débranchée.

Une utilisation, un entretien et une maintenance corrects de la machine permettent de prolonger considérablement sa durée de vie.

Nettoyage et graissage



IMPORTANT! Retirez le moteur de forage.

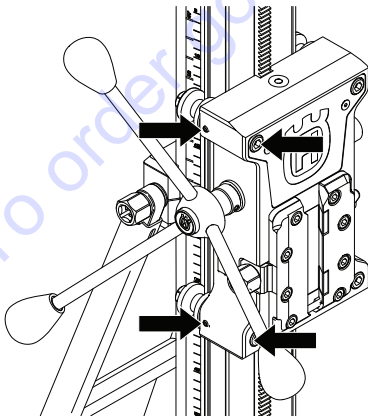
- Pour qu'il continue à fonctionner correctement, il est essentiel que le support de forage soit toujours propre.
- Le support doit être nettoyé avec de l'air comprimé, puis séché.
- Graissez les éléments mobiles du support. Utilisez une graisse afin d'éliminer tout risque de corrosion sur les surfaces de contact.

Réglage des roues de guidage

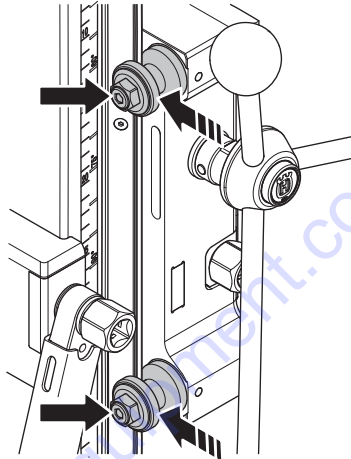
Afin que le chariot avance de manière stable et en ligne droite, les quatre roues de guidage doivent reposer contre le rail et il ne doit pas y avoir de jeu excessif.

Les surfaces des roues de guidage du chariot doivent être en contact avec les gorges en V de la colonne de forage. S'il y a du jeu entre la colonne et le boîtier de commande, il convient de l'ajuster.

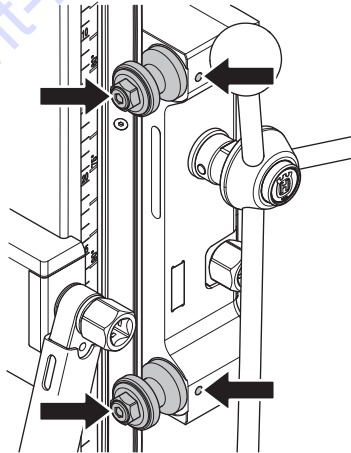
- Desserrez les deux vis à tête hexagonale. Desserrez également les deux vis d'arrêt qui maintiennent les deux roues de guide excentrées.



- Faites tourner les arbres délicatement jusqu'à ce que les roues de guide reposent contre le rail.

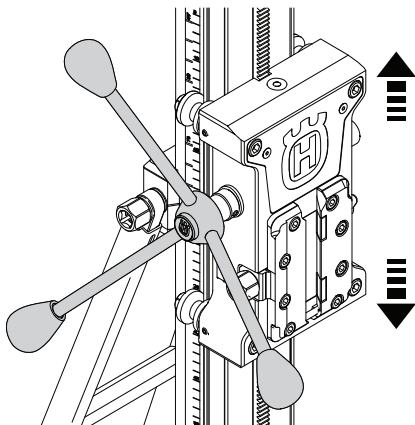


- Maintenez les deux vis en position et serrez les deux vis d'arrêt.

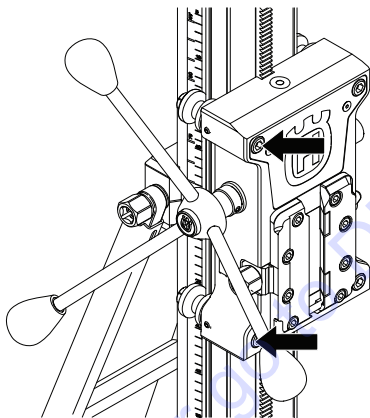


ENTRETIEN

- Utiliser le levier de commande pour voir si le boîtier bouge en douceur le long de la colonne. Dans le cas contraire, régler de nouveau les galets.



- Serrez ensuite les deux vis à tête hexagonale.



Entretien Quotidien

- S'assurer que toutes les vis et tous les écrous sont bien serrés.
- Nettoyer l'extérieur de la machine.
- Vérifier que le bras de manivelle peut être déplacé sans résistance.
- Vérifier que l'embrayage bouge facilement et n'émet aucun bruit.
- Vérifier que la colonne ne présente aucune usure ou n'est pas endommagée.
- Vérifier que le boîtier de commande peut être bougé facilement et ne saccade pas le long de la colonne de bâti.
- Assurez-vous que le bâti ne présente pas d'autres dommages.

Réparations



IMPORTANT! Toutes les réparations doivent être effectuées par des réparateurs agréés. Ceci permet d'éviter que les opérateurs ne soient exposés à des risques importants.

CARACTÉRISTIQUES TECHNIQUES

Caractéristiques techniques

	DS900 DD
Dimensions	
Hauteur, pouces/mm	1300 / 51,2
Largeur, pouces/mm	300/11,8
Profondeur, pouces/mm	448/17,6
Poids, kg/lb	24/53
Course, pouces/mm	950/37,4
Diamètre max. de forage, pouces/mm	
Avec entretoise	900/35,4
Sans entretoise	500/19,7 (DM406)
Charge maximale, lb/kg	150/330
Angle du pilier de forage	0-60°

To order go to Discount-Equipment.com

ACLARACION DE LOS SIMBOLOS

Símbolos en la máquina

¡ATENCIÓN! La máquina, si se utiliza de forma errónea o descuidada, puede ser una herramienta peligrosa que puede causar daños graves e incluso la muerte al usuario y a otras personas.



Lea detenidamente el manual de instrucciones y asegúrese de entender su contenido antes de utilizar la máquina.



Los demás símbolos/etiquetas que aparecen en la máquina corresponden a requisitos de homologación específicos en determinados mercados.

Explicación de los niveles de advertencia

Las advertencias se clasifican en tres niveles.

¡ATENCIÓN!



¡ATENCIÓN! Indica un riesgo de daños graves para el usuario o incluso muerte, o bien daños al entorno, si no se siguen las instrucciones del manual.

¡NOTA!



¡NOTA! Indica un riesgo de lesiones para el usuario o daños al entorno si no se siguen las instrucciones del manual.

AVISO

AVISO Indica un riesgo de daños en los materiales o en la máquina si no se siguen las instrucciones del manual.

Índice**ACLARACION DE LOS SIMBOLOS**

Símbolos en la máquina	31
Explicación de los niveles de advertencia	31

INDICE

Índice	32
--------------	----

PRESENTACIÓN

Apreciado cliente:	33
Diseño y funciones	33
Soporte	34

¿QUE ES QUE?

Componentes del soporte	35
-------------------------------	----

EQUIPO DE SEGURIDAD DE LA MÁQUINA

Generalidades	36
Bloqueo de la caja de alimentación	36
Tope del riel	36

FUNCIONAMIENTO

Pasos previos al uso de un soporte nuevo	37
Equipo de protección	37
Instrucciones generales de seguridad	38
Advertencias generales de seguridad sobre el soporte de trabajo	38
Sujeción de la base	39
Montaje del motor de la perforadora	39
Ajuste de la inclinación de la columna	40
Antes de perforar	40
Bloque separador del motor de la perforadora	40
Diámetro de broca recomendado	40
Mientras taladra	41
Ruedas de transporte	41
Sustitución de la columna de perforación	41

MANTENIMIENTO

Mantenimiento del soporte	42
---------------------------------	----

DATOS TECNICOS

Datos técnicos	44
----------------------	----

DECLARACIÓN DE GARANTÍA PARA EE. UU.

POLÍTICA DE GARANTÍA	45
EQUIPO	45

Apreciado cliente:

Gracias por elegir un producto Husqvarna.

Esperamos que su máquina le proporcione plena satisfacción y le sirva de ayuda por mucho tiempo en adelante. La adquisición de alguno de nuestros productos da acceso a asistencia profesional con reparaciones y servicio. Si la máquina no fue adquirida en un distribuidor oficial, preguntar en la tienda de compra la dirección del taller de servicio más cercano.

Este manual de instrucciones es un documento importante. Procure tenerlo siempre a mano en el lugar de trabajo. Siguiendo sus instrucciones (de uso, servicio, mantenimiento etcétera) puede alargar considerablemente la vida útil de la máquina e incrementar su valor de reventa. Si vende su máquina, entregue el manual de instrucciones al nuevo propietario.

Más de 300 años de innovación

La fundación de la empresa sueca Husqvarna AB data del año 1689, cuando el Rey Karl XI encargó la construcción de una fábrica para la fabricación de mosquetes. En ese momento se establecieron los cimientos de la experiencia tecnológica en la que se basan muchos de los productos punteros en el mundo en el sector de las armas de caza, bicicletas, motocicletas, electrodomésticos, máquinas de coser y productos para exteriores.

Husqvarna es líder internacional en productos motorizados para exteriores destinados a la silvicultura, el mantenimiento de parques y el cuidado del césped y del jardín, así como equipos de corte y herramientas de diamante para el sector de la construcción y la piedra.

Responsabilidad del propietario

El propietario / empresario es el responsable de asegurarse de que el usuario tiene los conocimientos necesarios para utilizar la máquina con seguridad. Los supervisores y los usuarios deben haber leído y entendido el manual de instrucciones. Deben tener conocimiento de lo siguiente:

- Las instrucciones de seguridad de la máquina.
- Las aplicaciones y las limitaciones de la máquina.
- El modo de uso y de mantenimiento de la máquina.

La utilización de esta máquina podría estar regulada por la legislación nacional vigente. Infórmese sobre la legislación vigente en el lugar donde trabaja antes de empezar a utilizar la máquina.

La utilización de esta máquina podría estar restringida por regulaciones locales. Infórmese sobre las regulaciones vigentes en el lugar donde trabaja antes de empezar a utilizar la máquina.

Los derechos que se reserva el fabricante.

Tras la publicación de este manual, Husqvarna podría publicar información adicional para el funcionamiento seguro de este producto. Es responsabilidad del propietario mantenerse informado de los métodos de funcionamiento más seguros.

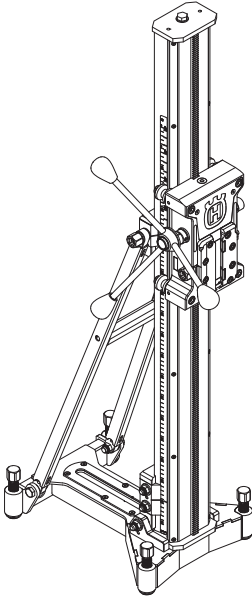
Husqvarna AB trabaja constantemente para perfeccionar sus productos y se reserva, por lo tanto, el derecho a introducir modificaciones en la construcción y el diseño sin previo aviso.

Diseño y funciones

El alto rendimiento, la fiabilidad, la tecnología innovadora, las soluciones técnicas avanzadas y el respeto medioambiental son los valores que caracterizan a los productos de Husqvarna. El usuario debe leer este manual detenidamente para garantizar un funcionamiento seguro del producto. Póngase en contacto con su concesionario o con Husqvarna si necesita más información.

A continuación se describen algunas de las características únicas de su producto.

Soporte DS900 DD

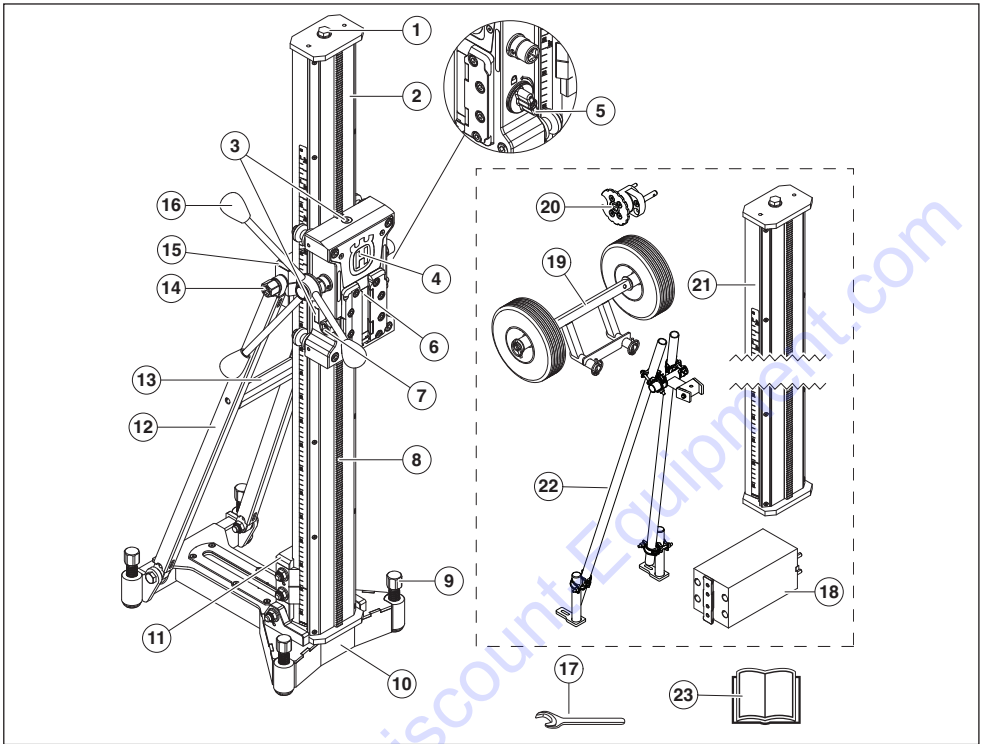


- El soporte es para taladrar techos, paredes y pisos.
- El soporte de taladro es estable y puede gestionar dimensiones de taladrado grandes.
- La columna puede inclinarse de 0 a 60° y tiene un recorrido largo.
- La base del taladro está equipada con una placa de conexión rápida para el motor del taladro.
- La palanca de alimentación puede utilizarse para ajustar la inclinación de la columna y bloquear el montaje rápido.
- En este soporte de taladro se puede usar el recorrido largo.

Accesorios

- Ruedas de transporte
- Bloque separador del motor de la perforadora
- Soporte AD
- Columna de perforación, 2 m
- Respaldo lumbar grande, con columna de perforación, 2 m

¿QUE ES QUE?



Componentes del soporte

- 1 Tornillo de compresión
- 2 Columna de perforación
- 3 Indicador de nivel
- 4 Caja de alimentación
- 5 Bloqueo de la caja de alimentación
- 6 Abrazadera de sujeción, montaje rápido
- 7 Tornillo de fijación, abrazadera de fijación
- 8 Cremallera
- 9 Tornillos de ajuste
- 10 Placa base
- 11 Abrazadera de sujeción, placa base/columna de perforación
- 12 Estabilizador
- 13 Mango de transporte
- 14 Tornillo de fijación, columna de perforación inclinada
- 15 Abrazadera de sujeción, estabilizador/columna de perforación
- 16 Empuñadura de alimentador
- 17 Llave de tuercas, NV 24
- 18 Bloque separador del motor de la perforadora (accesorio)
- 19 Ruedas de transporte (accesorio)
- 20 Soporte AD (accesorio)
- 21 Columna de perforación, 2 m (accesorio)
- 22 Respaldo lumbar grande (accesorio)
- 23 Manual de instrucciones

Generalidades



Nunca utilice una máquina que tenga un equipo de seguridad defectuoso. Efectúe el control y mantenimiento del equipo de seguridad de la máquina como se describió en este capítulo. Si su máquina no pasa todos los controles, entréguela a un taller de servicio para su reparación.

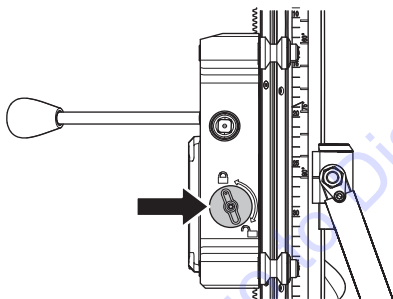
En este capítulo se describen los componentes de seguridad de la máquina, su función y el modo de efectuar el control y el mantenimiento para garantizar un funcionamiento óptimo.

Bloqueo de la caja de alimentación

El bloqueo del carro se usa, por ejemplo, cuando se cambia de broca o se monta el motor de la perforadora. El bloqueo está formado por una manija que fija el carro de la columna de perforación.

Inspección del bloqueo del carro

- Gire la manija para bloquearla.
- Compruebe manualmente que el carro esté fijado a la columna de perforación.

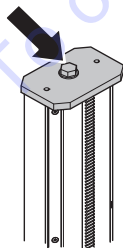


Tope del riel

El tope está para evitar que el carro se salga de los raíles.

Comprobación del tope

- Asegúrese de que el tope está en su lugar.



FUNCIONAMIENTO

Pasos previos al uso de un soporte nuevo

- Lea detenidamente el manual de instrucciones y asegúrese de entender su contenido antes de utilizar la máquina.
- Esta máquina está diseñada para y destinada a la perforación de hormigón, ladrillo y diferentes materiales pedregosos. Cualquier otra aplicación es errónea.
- La máquina está destinada al uso por operadores experimentados, en aplicaciones industriales.
- Mantener bien ordenado el lugar de trabajo. El desorden comporta riesgo de accidentes.
- Lea también el manual de instrucciones entregado junto con el motor de la perforadora y verifique que es compatible con este soporte.

Emplee siempre el sentido común

Es imposible abarcar todas las situaciones imaginables que se pueden producir al utilizar una taladradora. Proceder siempre con cuidado y emplear el sentido común. El usuario debe evitar usar la máquina en aplicaciones para las que no se considere suficientemente calificado. Si después de leer estas instrucciones todavía hay inseguridad en cuanto al procedimiento de uso, consultar con un experto antes de proseguir.

No dude en ponerse en contacto con su distribuidor si tiene preguntas acerca del uso de la máquina. Estaremos encantados de poder aconsejarle y ayudarle a utilizar la máquina de manera eficaz y segura.

Encargue al distribuidor de Husqvarna la revisión regular de la cortadora y los ajustes y reparaciones necesarios.

Toda la información y todos los datos contenidos en este manual de instrucciones son vigentes en la fecha de impresión del manual.



¡ATENCIÓN! No está permitido modificar el diseño original de la máquina, por ningún motivo, sin la autorización del fabricante. Utilice siempre accesorios originales. Las modificaciones y/o el uso de accesorios no autorizados comportan riesgo de daños personales graves y peligro de muerte para el usuario y otras personas.

Equipo de protección

Generalidades

No use nunca una máquina si no tiene posibilidad de pedir auxilio si se produce un accidente.

Equipo de protección personal

Para trabajar con la máquina debe utilizarse un equipo de protección personal homologado. El equipo de protección personal no elimina el riesgo de lesiones, pero reduce su efecto en caso de accidente. Pida a su distribuidor que le asesore en la elección del equipo.



¡ATENCIÓN! El uso de productos que cortan, pulen, taladran, alisan o forman materiales puede generar polvo y vapores que pueden contener sustancias químicas dañinas. Averiguar la composición del material con que se trabaja y usar una máscara respiratoria adecuada.



¡ATENCIÓN! La exposición prolongada al ruido puede causar daños crónicos en el oído. Por consiguiente, use siempre protectores auriculares homologados. Cuando use protección auditiva preste siempre atención a las señales o llamados de advertencia. Sáquese siempre la protección auditiva inmediatamente después de parar el motor.



¡ATENCIÓN! Existe siempre riesgo de accidentes por apriete al trabajar con aparatos con piezas móviles. Usar guantes protectores para evitar lesiones.

Utilice siempre:

- Casco protector
- Protectores auriculares
- Gafas protectoras o visor
- Máscara respiratoria
- Guantes resistentes de agarre seguro.
- Prendas de vestir ceñidas, resistentes y cómodas que permitan una libertad de movimientos total.
- Botas con puntera de acero y suela antideslizante.
- Tenga siempre a mano el equipo de primeros auxilios.

Tener en cuenta que las ropas, el pelo largo y las joyas pueden atascarse en piezas móviles.

Instrucciones generales de seguridad



¡ATENCIÓN! Lea todas las advertencias e instrucciones de seguridad. Si se hace caso omiso de las advertencias e instrucciones pueden provocarse accidentes graves o incluso la muerte del operario o de terceros.

Seguridad en el área de trabajo

- **Mantenga el área de trabajo limpia y bien iluminada.** Las zonas abarrotadas de cosas u oscuras favorecen los accidentes.
- Las personas y los animales pueden distraer y hacer perder el control de la máquina. Por consiguiente, el operador debe estar siempre concentrado en su trabajo.
- No trabaje en condiciones atmosféricas desfavorables como niebla, lluvia intensa, tempestad, frío intenso, etc. Trabajar con mal tiempo es cansador y puede crear condiciones peligrosas, por ejemplo suelo resbaladizo.
- Antes de comenzar a trabajar con la máquina, controle siempre que el lugar esté libre y que los pies estén bien afirmados al terreno. Controle posibles obstáculos en caso de movimientos repentinos. Asegúrese de que no haya elementos que puedan caer y provocar daños al trabajar con la máquina.
- Controlar siempre la parte posterior de la superficie en la que sale la broca al penetrar. Impedir el acceso cercando la zona de trabajo y procurar que no haya riesgo de daños personales o materiales.

Seguridad personal



¡ATENCIÓN! Existe siempre riesgo de accidentes por apriete al trabajar con aparatos con piezas móviles. Use siempre guantes protectores.

- Utilice el equipo de protección personal. Vea las instrucciones bajo el título "Equipo de protección personal".
- Nunca utilice la máquina si está cansado, si ha ingerido alcohol o si toma medicamentos que puedan afectar la vista, su capacidad de discernimiento o el control del cuerpo.
- Nunca deje que terceros utilicen la máquina sin asegurarse primero de que hayan entendido el contenido de este manual de instrucciones.
- Tener en cuenta que las ropas, el pelo largo y las joyas pueden atascarse en piezas móviles.
- Un operador nunca debe trabajar solo; siempre debe haber otra(s) persona(s) cerca. Así, además de tener ayuda para montar la máquina, también puede recibirse asistencia en caso de accidente.

Uso y cuidado

- No utilice nunca una máquina defectuosa. Lleve a cabo las comprobaciones de seguridad y siga las instrucciones de mantenimiento y servicio de este manual. Algunas medidas de mantenimiento y servicio deben ser efectuadas por especialistas formados y cualificados. Consulte las instrucciones del apartado Mantenimiento.
- No utilice nunca una máquina que haya sido modificada de modo que ya no coincida con la configuración original.
- Mantener todas las piezas en perfecto estado y comprobar que todos los elementos de fijación estén bien apretados.

Transporte y almacenamiento

- Almacene la cortadora en lugar seguro fuera del alcance de los niños y personas no calificadas para su uso.
- Guardar la taladradora y el soporte en un lugar seco y con temperatura sobre cero.

Advertencias generales de seguridad sobre el soporte de trabajo



¡ATENCIÓN! Lea todas las advertencias e instrucciones de seguridad. No atender a estas advertencias e instrucciones puede provocar descargas eléctricas, incendios y lesiones graves.

AVISO Conserve todas las advertencias e instrucciones para su consulta.

- **Desconecte el enchufe de la fuente de alimentación y / o la batería de la herramienta eléctrica antes de realizar cualquier ajuste o cambiar accesorios.** Un arranque accidental de la herramienta eléctrica puede ser causa de accidentes.
- **Monte el soporte de trabajo antes que la herramienta.** Un montaje adecuado es importante para evitar riesgos de hundimiento.
- **Fije de manera segura la herramienta eléctrica al soporte de trabajo antes de su uso.** Realice el cambio de herramienta eléctrica en el soporte con sumo cuidado.
- **Coloque el soporte en una superficie resistente, plana y nivelada.** Cuando el soporte de trabajo se mueve o balancea, la herramienta eléctrica o de trabajo no puede manejarse de manera segura y controlada.
- **No sobrecargue el soporte de trabajo ni lo utilice como escalera o andamio.** Sobrecargar o subirse al soporte de trabajo puede suponer una carga excesiva para el dispositivo y es probable que no resista el peso.

Este soporte está destinado para su uso con máquinas DM de Husqvarna. Utilice únicamente herramientas eléctricas diseñadas para este soporte.

FUNCIONAMIENTO

Sujeción de la base

Hay dos maneras de fijar la base.

- Sujetarla con un extensor o un anclaje
- Sujetarla con una varilla roscada, una arandela y una tuerca de seguridad

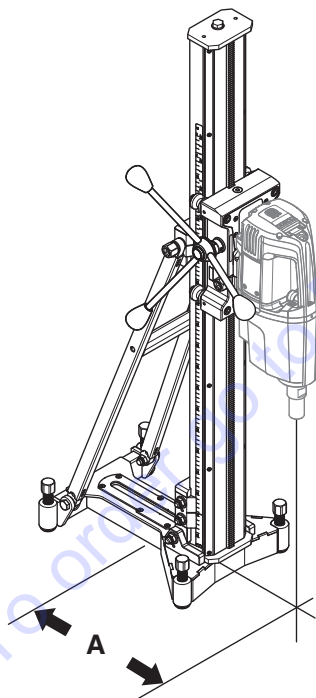
Sujetarla con un extensor o un anclaje



¡IMPORTANTE! Cuando se trabaje con el taladro en un tejado o pared, debe utilizarse únicamente un extensor o anclaje adecuados para superficies expuestas a la fuerza de tracción.

Utilice únicamente un extensor o anclaje adecuado para la aplicación actual.

- Taladre un orificio para el extensor/anclaje a una distancia (A), 400 mm (15,7") del centro del orificio (la medida se aplica para su uso con el DM 650 sin espaciador).



- Atornille la placa base. Comprobar cuidadosamente que el expansor está bien fijado.
- La placa base puede ajustarse a la superficie con los tornillos de ajuste.

AVISO Es una buena idea usar la parte delantera del recorrido (la más cercana a la columna).

Sujetarla con una varilla roscada, una arandela y una tuerca de seguridad

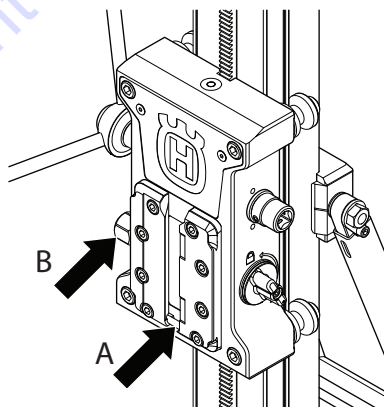
Si la superficie de montaje no es adecuada para utilizar el taladro en techos o paredes, la placa base puede sujetarse mediante una varilla roscada, que se montará en la parte posterior con una arandela y una contratuerca.

Montaje del motor de la perforadora



¡IMPORTANTE! Desenchufe siempre el enchufe antes de efectuar trabajos de limpieza, mantenimiento o montaje de la máquina.

- Retire siempre la broca antes de montar o desmontar el motor.
- Cierre el bloqueo de la caja de alimentación.
- Coloque la perforadora en el surco de la abrazadera de fijación. Asegúrese de presionar la perforadora hasta la parte inferior (A) del surco de la abrazadera de fijación. Sujete la abrazadera de fijación con el tornillo de fijación (B).



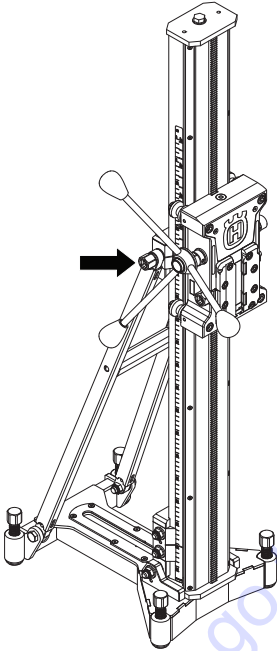
- Monte la placa del adaptador en el motor de la perforadora si es necesario. No se utiliza con los motores de las perforadoras de Husqvarna.

FUNCIONAMIENTO

Ajuste de la inclinación de la columna

La columna de perforación se puede inclinar; el intervalo recomendado en uso es de 0 a 60°.

- Afloje el tornillo de fijación de inclinación de la columna y ajuste el ángulo de inclinación deseado del taladro. Apriete el tornillo de fijación.
- El indicador de ángulo permite un ajuste aproximado. Si necesita una mayor precisión, deberá utilizar métodos de medición alternativos.



Antes de perforar



¡ATENCIÓN! Antes iniciar la perforación, comprobar que todos los tornillos de fijación están bien apretados.

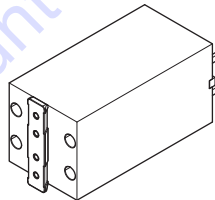
Hay riesgo de accidentes graves si el núcleo de perforación de hormigón permanece en la broca al sacar el motor de taladradora / la broca del suelo, la pared o el techo.



¡ATENCIÓN! Cuando taladre en techos, utilice siempre un colector de agua homologado para el motor de la perforadora o use un motor de perforadora hidráulica. Existe el riesgo de que el taladro y la base se carguen con electricidad si la máquina gotea.

Bloque separador del motor de la perforadora (accesorio)

Para perforar diámetros grandes se utiliza un separador. Hay varias versiones diferentes.



- Monte el separador en el motor de la perforadora
- A continuación, monte el motor de la perforadora con el espaciador en el soporte, consulte el apartado 'Montaje del motor de la perforadora'.

Diámetro de broca recomendado

Diámetro máximo de perforación, pulgadas/mm

Motor de taladradora	Bloque separador, mm/pulgadas			
	0	50/2	2x 50/2	200/7,9
DM406	19,7/ 500	600/ 23,6	700/ 27,6	900/ 35,4
DM650	400/ 15,7	19,7/ 500	600/ 23,6	800/ 31,5
DM280/340	370/ 14,6	470/ 18,5	570/ 22,4	670/ 26,4

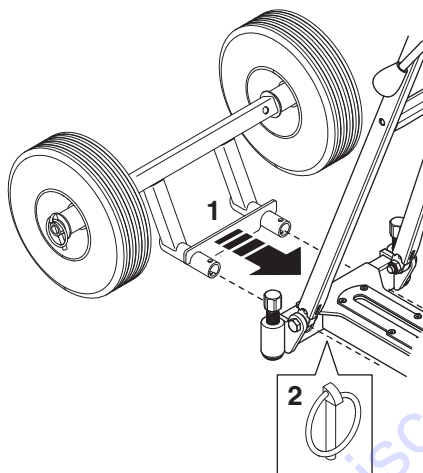
FUNCIONAMIENTO

Mientras taladra

AVISO Asegúrese de que el cable y/o manguera de agua no queda aprisionado entre la rueda guía y la columna.

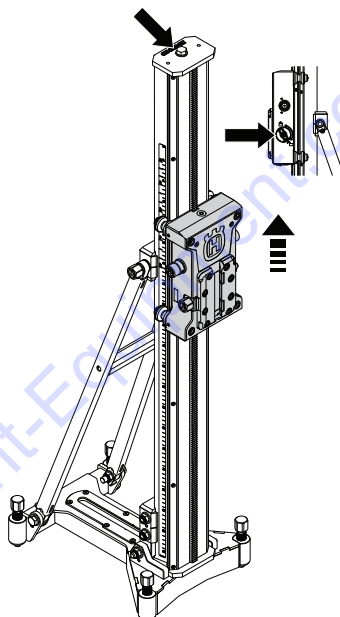
Ruedas de transporte (accesorio)

- Coloque el soporte de las ruedas de transporte en el orificio de la placa base.
- Fije las ruedas de transporte con los clips.

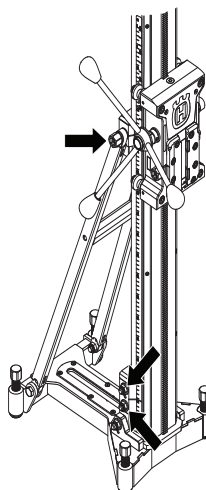


Sustitución de la columna de perforación (accesorio)

- Afloje el tornillo superior y retire el tope.
- Desbloquee la caja de alimentación. Retire la caja de alimentación de la columna.



- Afloje el tornillo de fijación para la abrazadera de fijación.



- Retire la columna de perforación.
- El montaje se hace en orden inverso al desmontaje.

MANTENIMIENTO

Mantenimiento del soporte



¡ATENCIÓN! El control y/o mantenimiento de la máquina debe hacerse con el motor parado y el enchufe desenchufado.

La vida útil de la máquina se alarga considerablemente si se utiliza, cuida y mantiene correctamente.

Limpieza y lubricación



¡IMPORTANTE! Desmontar el motor de taladradora.

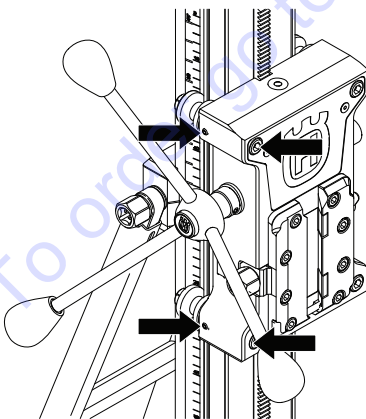
- Para obtener un funcionamiento óptimo es muy importante mantener el soporte limpio y en orden.
- Se recomienda limpiar el soporte con lavado a alta presión y secarlo.
- Aceitar todas las piezas móviles del soporte. Usar grasa para prevenir la corrosión de las superficies de contacto.

Ajuste de las ruedas de guía

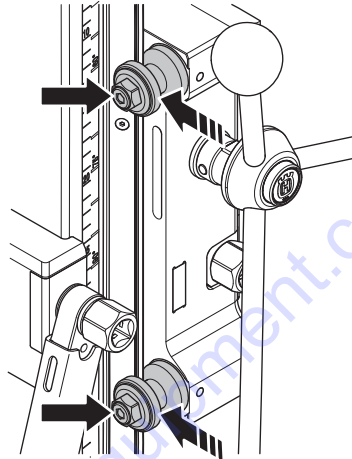
Para que el carro se desplace de manera estable y en línea recta, las cuatro ruedas guía debe descansar sobre el rail y no deben tener un juego excesivo.

Las superficies de las ruedas guía del carro debe estar en contacto con las ranuras en V de la columna de perforación. Si queda un espacio entre la columna y la caja de alimentación, deberá ajustar la caja.

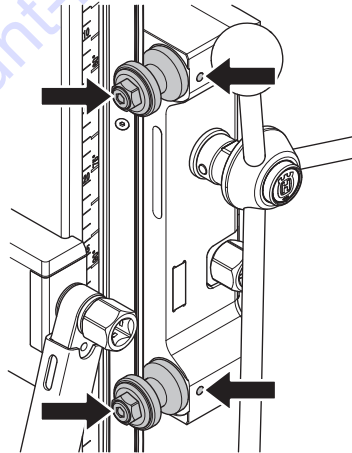
- Afloje los dos tornillos hexagonales. Afloje también los dos tornillos de tope que fijan las ruedas guía excéntricas.



- Gire levemente los ejes hasta que las ruedas guía reposen sobre el rail.

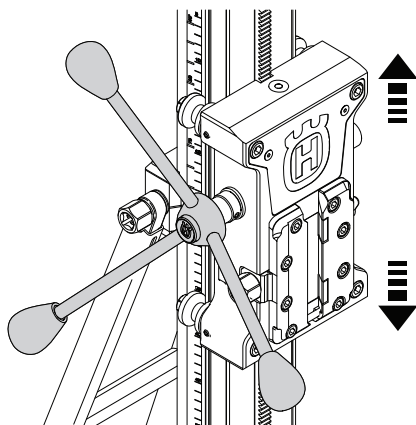


- Sujete los ejes en posición y apriete los dos tornillos de tope.

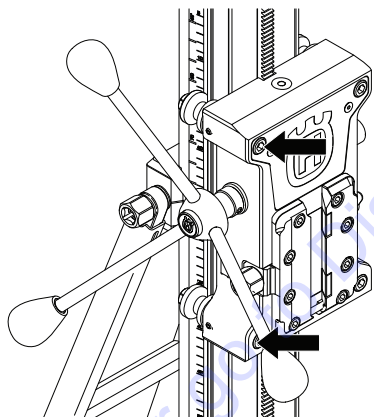


MANTENIMIENTO

- Utilice la palanca de la caja de alimentación para comprobar si esta se mueve suavemente por la columna. Si no es así, vuelva a ajustar los rodillos.



- A continuación, apriete los dos tornillos hexagonales.



Reparaciones



¡IMPORTANTE! Las reparaciones de todo tipo deben ser efectuadas por técnicos autorizados, únicamente. De este modo se evita someter a los operadores a grandes riesgos.

Mantenimiento Diario

- 1 Compruebe que los tornillos y las tuercas estén apretados.
- 2 Limpie la parte exterior de la máquina.
- 3 Compruebe que el cigüeñal de la caja de alimentación se mueve sin ofrecer resistencia.
- 4 Compruebe que los engranajes se mueven fácilmente y sin hacer ruido.
- 5 Compruebe que la columna no está dañada ni gastada.
- 6 Compruebe que la caja de alimentación se mueve fácilmente y no rebota en la columna de la base.
- 7 Asegúrese de que no haya otros daños en el soporte.

DATOS TECNICOS

Datos técnicos

	DS900 DD
Dimensiones	
Altura, pulgadas/mm	1300 / 51,2
Anchura, pulgadas/mm	300/11,8
Profundidad, in/mm	448/17,6
Peso, kg/lb	24/53
Carrera, pulgadas/mm	950/37,4
Diámetro máximo de perforación, pulgadas/mm	
Con separador	900/35,4
Sin separador	500/19,7 (DM406)
Carga máxima, lb/kg	150/330
Inclinación de la columna	0-60°

To order go to Discount-Equipment.com

US - Original instructions, CA - Instructions d'origine, ES - Instrucciones originales

1158416-49



2016-11-16

TO PURCHASE THIS PRODUCT PLEASE CONTACT US



**Equipment Financing and
Extended Warranties Available**



**Discount-Equipment.com is your online resource for
commercial and industrial quality parts and equipment sales.**

561-964-4949

visit us on line @ www.discount-equipment.com

Select an option below to find your Equipment

Search by Manufacturer

Search by Product Type

Request a Quote

We sell worldwide for the brands: Genie, Terex, JLG, MultiQuip, Mikasa, Essick, Whiteman, Mayco, Toro Stone, Diamond Products, Generac Magnum, Airman, Haulotte, Barreto, Power Blanket, Nifty Lift, Atlas Copco, Chicago Pneumatic, Allmand, Miller Curber, Skyjack, Lull, Skytrak, Tsurumi, Husquvarna Target, Stow, Wacker, Sakai, Mi-T-M, Sullair, Basic, Dynapac, MBW, Weber, Bartell, Bennar Newman, Haulotte, Ditch Runner, Menegotti, Morrison, Contec, Buddy, Crown, Edco, Wyco, Bomag, Laymor, EZ Trench, Bil-Jax, F.S. Curtis, Gehl Pavers, Heli, Honda, ICS/PowerGrit, IHI, Partner, Imer, Clipper, MMD, Koshin, Rice, CH&E, General Equipment, Amida, Coleman, NAC, Gradall, Square Shooter, Kent, Stanley, Tamco, Toku, Hatz, Kohler, Robin, Wisconsin, Northrock, Oztec, Toker TK, Rol-Air, APT, Wylie, Ingersoll Rand / Doosan, Innovatech, Con X, Ammann, Mecalac, Makinex, Smith Surface Prep, Small Line, Wanco, Yanmar