

DS 250

Reservdelar

Spare parts

Ersatzteile

Pieces de rechange

Piezas de repuesto

Ricambi

Peças sobresselente



PARTS FINDER

**Search Website
by Part Number**



**Search Manual
Library For Parts
Manual & Lookup Part
Numbers – Purchase
or Request Quote**

Search Manuals

Enter your information to help us find the right parts manual for your machine.

* Brand:

* Model:

* Serial:

* Part Number:

SEARCH

**Can't Find Part or
Manual? Request Help
by Manufacturer,
Model & Description**

Parts Order Form

Please fill in the following information to help us find the right part for your machine.

Manufacturer:	<input type="text"/>
Model:	<input type="text"/>
Description:	<input type="text"/>
Part Number:	<input type="text"/>
Quantity:	<input type="text"/>
Notes:	<input type="text"/>

Submit

Discount-Equipment.com is your online resource for quality parts & equipment.

Florida: **561-964-4949** Outside Florida TOLL FREE: **877-690-3101**

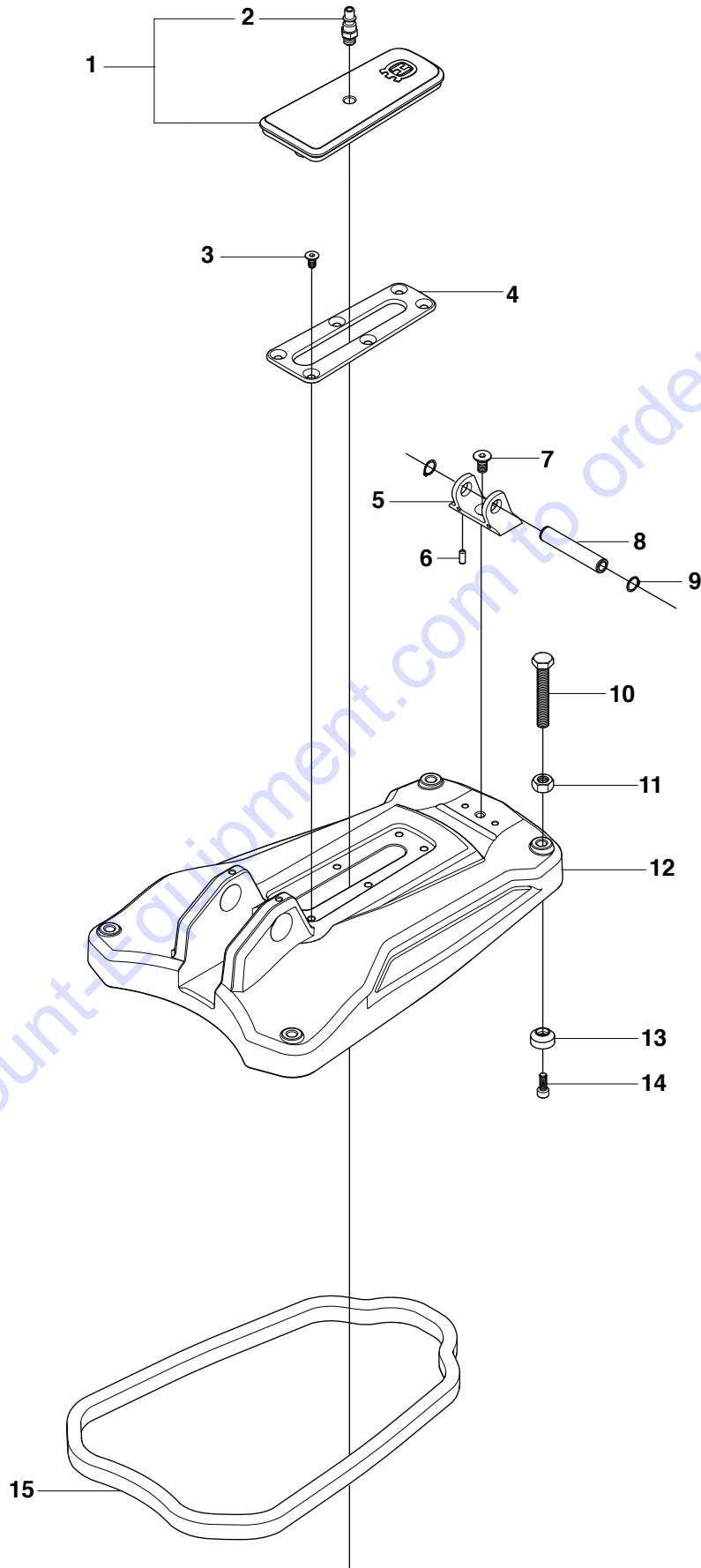
Need parts?

Click on this link: <http://www.discount-equipment.com/category/5443-parts/> and choose one of the options to help get the right parts and equipment you are looking for. Please have the machine model and serial number available in order to help us get you the correct parts. If you don't find the part on the website or on one of the online manuals, please fill out the request form and one of our experienced staff members will get back to you with a quote for the right part that your machine needs.

We sell worldwide for the brands: Genie, Terex, JLG, MultiQuip, Mikasa, Essick, Whiteman, Mayco, Toro Stone, Diamond Products, Generac Magnum, Airman, Haulotte, Barreto, Power Blanket, Nifty Lift, Atlas Copco, Chicago Pneumatic, Allmand, Miller Curber, Skyjack, Lull, Skytrak, Tsurumi, Husquvarna Target, Stow, Wacker, Sakai, Mi-T-M, Sullair, Basic, Dynapac, MBW, Weber, Bartell, Bennar Newman, Haulotte, Ditch Runner, Menegotti, Morrison, Contec, Buddy, Crown, Edco, Wyco, Bomag, Laymor, EZ Trench, Bil-Jax, F.S. Curtis, Gehl Pavers, Heli, Honda, ICS/PowerGrit, IHI, Partner, Imer, Clipper, MMD, Koshin, Rice, CH&E, General Equipment, Amida, Coleman, NAC, Gradall, Square Shooter, Kent, Stanley, Tamco, Toku, Hatz, Kohler, Robin, Wisconsin, Northrock, Oztec, Toker TK, Rol-Air, APT, Wylie, Ingersoll Rand / Doosan, Innovatech, Con X, Ammann, Mecalac, Makinex, Smith Surface Prep, Small Line, Wanco, Yanmar

No.	Pos.	Description	No.	Pos.	Description
510 20 27-01	D	Pin	725 52 89-01	B,C	Screw
522 80 56-01	D	Ball Bearing	725 52 93-01	D	Screw
525 54 07-01	D	Wedge	725 53 68-01	A	Screw
531 14 06-72	D	Knob	725 53 72-01	D	Screw
541 40 40-31	D	Key	725 54 47-01	D	Screw
541 40 40-32	D	Pin	725 54 49-01	B,D	Screw
541 40 40-44	D	Shaft	725 54 51-01	B,D	Screw
541 40 40-54	C	Decal	725 62 87-01	D	Screw
541 40 40-71	A	Fitting	725 63 66-01	A	Screw
541 40 40-80	A	Screw	725 64 49-01	A	Screw
541 40 40-84	A	Cap	728 64 53-01	D	Screw
541 40 40-98	B	Sticker	728 73 70-01	D	Screw
541 40 41-01	D	Lever	728 74 55-06	D	Screw
541 40 41-33	D	Screw	728 83 64-01	D	Screw
541 40 48-00	D	Guard	731 23 20-01	A	Nut
541 40 48-03	D	Bushing	731 43 18-01	D	Hexagon Thin Nut
541 40 48-04	D	Shaft	732 21 18-01	D	Nut
541 40 48-05	D	Shaft	734 11 63-01	B	Washer
541 40 48-06	D	Shaft	734 11 72-01	B	Washer
541 40 48-09	C	Screw	734 11 82-01	B	Washer
541 40 48-15	C	Screw	735 31 15-00	A,B	Ring
541 40 48-16	D	Brake Knob	735 31 17-01	B	Ring
541 40 48-61	A	Base	735 31 19-00	D	Ring
541 40 48-62	D	Guard	738 21 03-04	D	Ball Bearing
541 40 48-64	D	Cup	740 44 06-00	D	O-Ring
541 40 48-68	C	Guard			
541 40 48-69	C	Clamp			
541 40 48-70	C	Clamp			
541 40 48-78	C	Rack			
541 40 48-81	C	Axle			
541 40 48-82	C	Decal			
541 40 48-83	B	Bracket			
541 40 48-87	A	Bracket			
541 40 48-91	A	Gasket			
541 40 48-92	A	Guard			
541 40 48-96	D	Roller			
541 40 48-99	B	Guard			
541 40 49-05	D	Shaft			
541 40 49-09	B	Handle			
541 40 49-10	D	Ball Bearing			
541 40 49-11	D	Sprocket			
541 40 49-12	D	Sprocket			
541 40 49-13	D	Plate			
541 40 49-28	D	Plate			
541 40 49-35	D	Decal			
541 40 50-36	D	Bubble			
541 40 50-43	D	Spring			
541 40 50-47	D	Decal			
541 40 50-67	B,C	Bushing			
541 40 50-84	B	Wheel			
541 40 50-87	B	Frame			
541 40 50-88	A,B	Axle			
541 40 51-37	D	Cover			
541 40 51-43	D	Key			
541 40 51-63	D	Spring			
543 85 02-16	D	Handle			
575 84 82-01	D	Plate			
575 84 83-01	D	Motor Bracket			
577 83 61-01	D	Bolt			
577 83 62-01	D	Lock			
577 95 06-01	D	Plate			
579 24 27-01	A	Vaccum Cap			
579 24 28-01	C	Column			
579 24 29-01	D	Gear Wheel			
579 24 30-01	D	Carriage			
579 27 01-01	D	Brake			
720 13 06-50	A,C	Pin			
725 24 97-71	B	Screw			
725 25 07-51	C	Screw			
725 52 87-01	D	Screw			

A

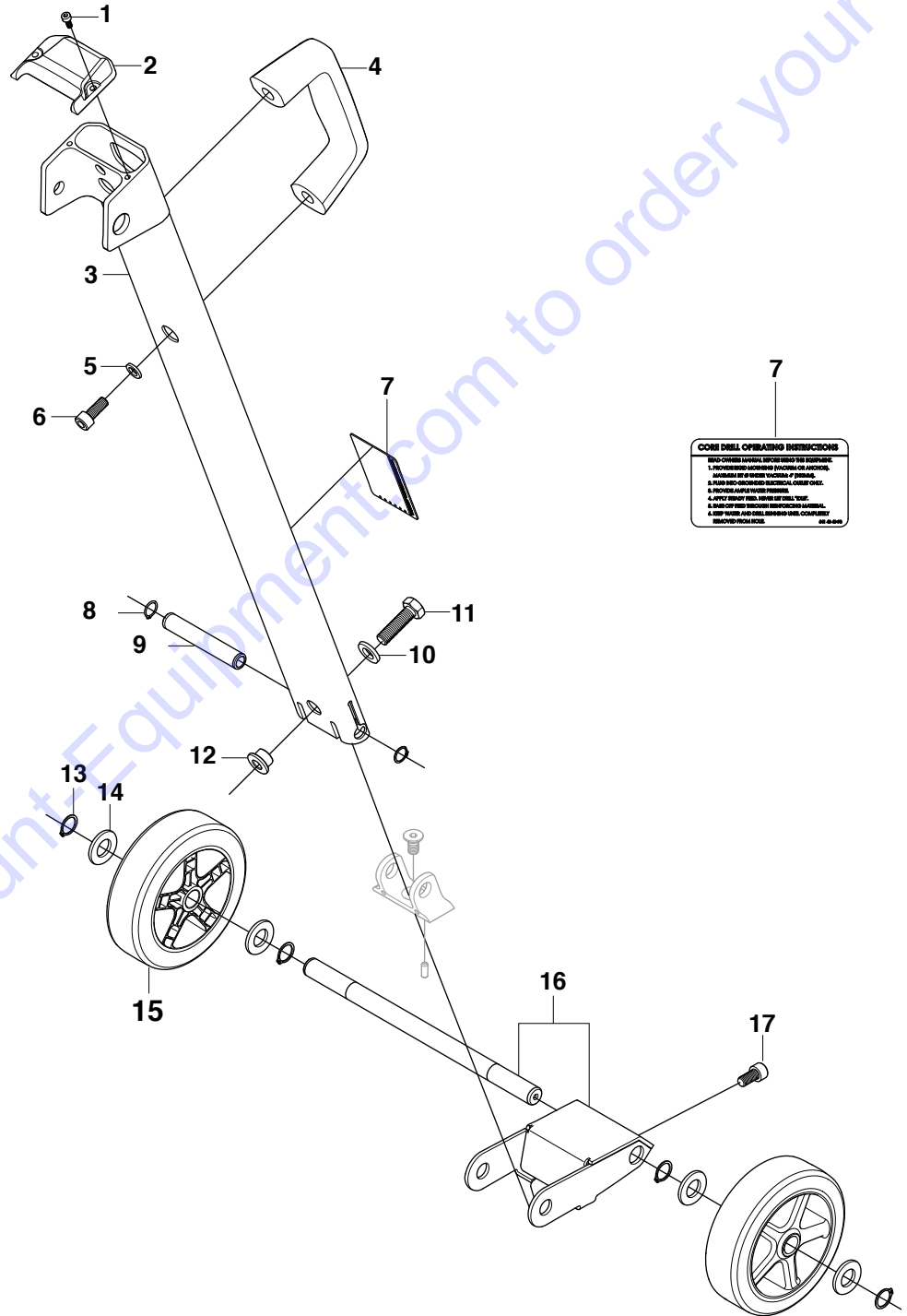


Go to Discount-Equipment.com to order your parts

Position	Article	Description	Quantity	Notes	Kit
1	579 24 27-01	Vaccum Cap	1	Complete	
2	541 40 40-71	Fitting	1		1
3	725 63 66-01	Screw	6		
4	541 40 48-92	Guard	1		
5	541 40 48-87	Bracket	1		
6	720 13 06-50	Pin	2		
7	725 64 49-01	Screw	1		
8	541 40 50-88	Axle	1		
9	735 31 15-00	Ring	2		
10	541 40 40-80	Screw	4		
11	731 23 20-01	Nut	4		
12	541 40 48-61	Base	1		
13	541 40 40-84	Cap	4		
14	725 53 68-01	Screw	4		
15	541 40 48-91	Gasket	1		

Go to Discount-Equipment.com to order your parts

B



CONE DRILL OPERATING INSTRUCTIONS

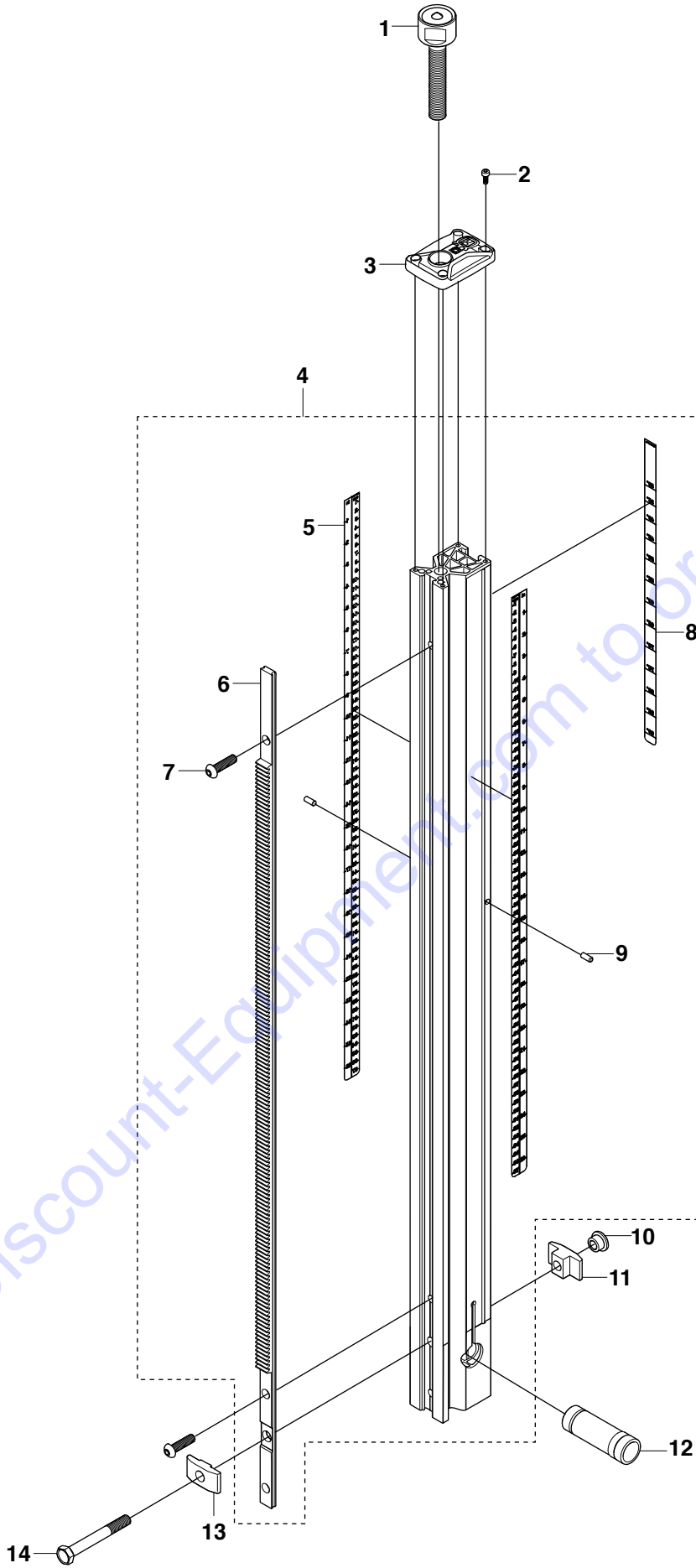
READ OWNER MANUAL BEFORE USING THE EQUIPMENT.
1. NEVER OPERATE EQUIPMENT WITHOUT PROPER TRAINING.
2. ALWAYS WEAR SAFETY GEAR.
3. ALWAYS WEAR SEATBELT.
4. ALWAYS WEAR YOUR SEATBELT.
5. ALWAYS WEAR YOUR SEATBELT.
6. ALWAYS WEAR YOUR SEATBELT.
7. ALWAYS WEAR YOUR SEATBELT.
8. ALWAYS WEAR YOUR SEATBELT.
9. ALWAYS WEAR YOUR SEATBELT.
10. ALWAYS WEAR YOUR SEATBELT.
11. ALWAYS WEAR YOUR SEATBELT.
12. ALWAYS WEAR YOUR SEATBELT.
13. ALWAYS WEAR YOUR SEATBELT.
14. ALWAYS WEAR YOUR SEATBELT.
15. ALWAYS WEAR YOUR SEATBELT.
16. ALWAYS WEAR YOUR SEATBELT.
17. ALWAYS WEAR YOUR SEATBELT.

Go to DiscountEquipment.com to order your parts

Position	Article	Description	Quantity	Notes	Kit
1	725 52 89-01	Screw	2		
2	541 40 48-99	Guard	1		
3	541 40 49-09	Handle	1		
4	541 40 48-83	Bracket	1		
5	734 11 63-01	Washer	2		
6	725 54 51-01	Screw	2		
7	541 40 40-98	Sticker	1		
8	735 31 15-00	Ring	2		
9	541 40 50-88	Axle	1		
10	734 11 72-01	Washer	1		
11	725 24 97-71	Screw	1		
12	541 40 50-67	Bushing	1		
13	735 31 17-01	Ring	4		
14	734 11 82-01	Washer	4		
15	541 40 50-84	Wheel	2		
16	541 40 50-87	Frame	1		
17	725 54 49-01	Screw	1		

Go to Discount-Equipment.com to order your parts

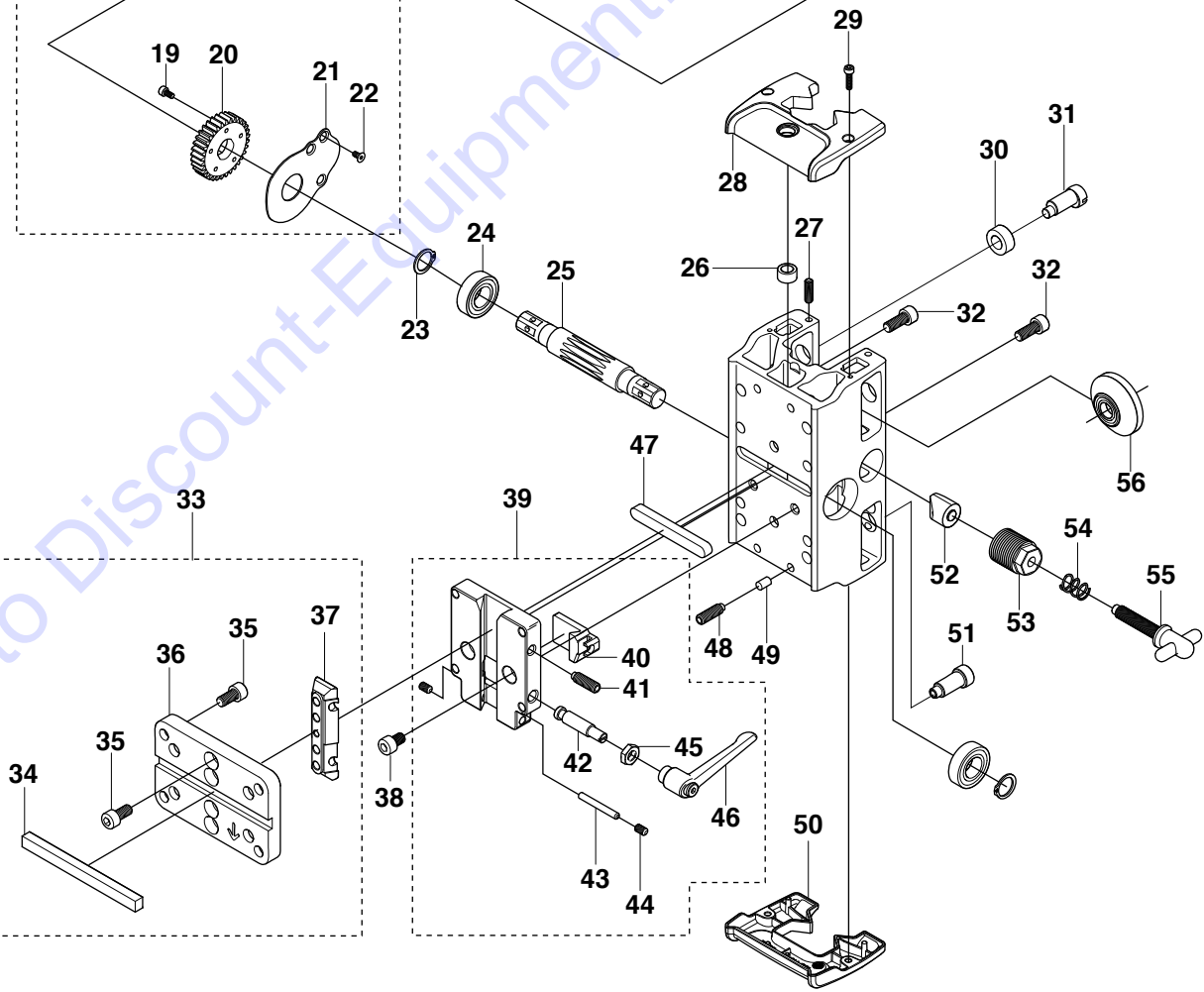
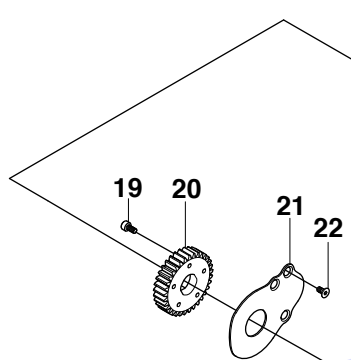
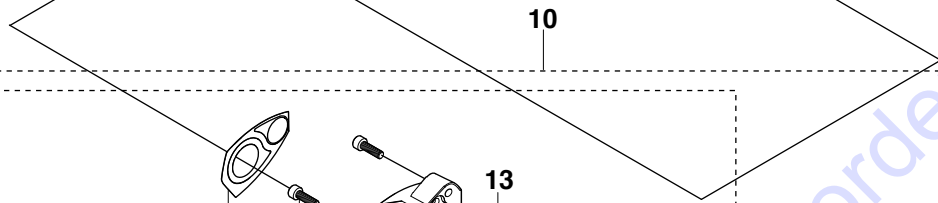
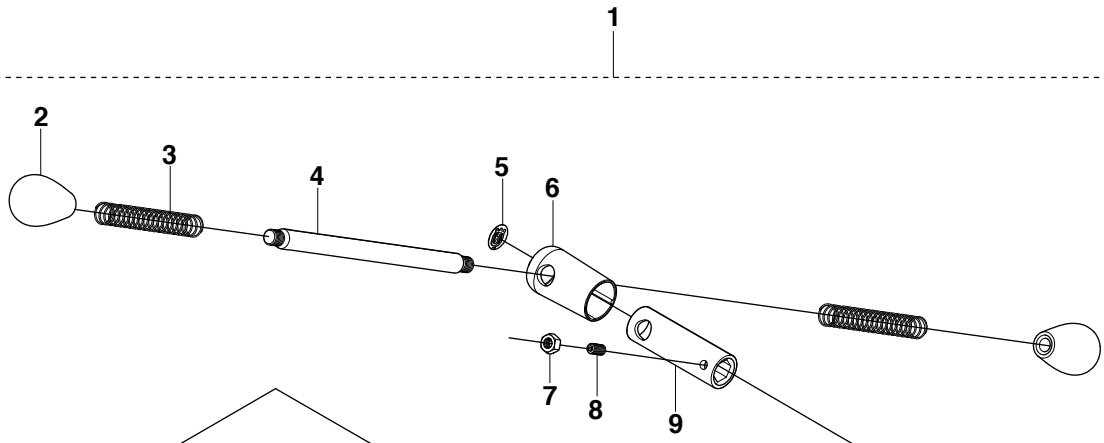
C



Position	Article	Name	Quantity	Notes	Kit
1	541 40 48-09	Screw	1		
2	725 52 89-01	Screw	4		
3	541 40 48-68	Guard	1		
4	579 24 28-01	Column	1		
5	541 40 40-54	Decal	2		4
6	541 40 48-78	Rack	1		4
7	541 40 48-15	Screw	3		4
8	541 40 48-82	Decal	1		4
9	720 13 06-50	Pin	2		4
10	541 40 50-67	Bushing	1		
11	541 40 48-70	Clamp	1		
12	541 40 48-81	Axle	1		
13	541 40 48-69	Clamp	1		
14	725 25 07-51	Screw	1		

Go to Discount-Equipment.com to order your parts

D



Position #	Article #	Name	Quantity	Notes	Kit
1	541 40 41-01	Lever	1	Complete	
2	531 14 06-72	Knob	2		1
3	541 40 51-63	Spring	2		1
4	541 40 49-05	Shaft	1		1
5	541 40 50-47	Decal	1		1
6	541 40 51-37	Cover	1		1
7	732 21 18-01	Nut	1		1
8	541 40 41-33	Screw	1		1
9	541 40 40-44	Shaft	1		1
10	579 24 30-01	Carriage	1	Complete	1
11	541 40 49-35	Decal	1		10,18
12	725 53 72-01	Screw	5		10,18
13	541 40 49-10	Ball Bearing	2		10,18
14	541 40 49-11	Sprocket	1		10,18
15	522 80 56-01	Ball Bearing	1		10,18
16	541 40 49-13	Plate	1		10,18
17	740 44 06-00	O-Ring	1		10,18
18	579 24 29-01	Gear Wheel	1	Kit	10
19	725 52 87-01	Screw	5		10,18
20	541 40 49-12	Sprocket	1		10,18
21	541 40 49-28	Plate	1		10,18
22	725 62 87-01	Screw	3		10,18
23	735 31 19-00	Ring	2		10
24	738 21 03-04	Ball Bearing	2		10
25	541 40 48-06	Shaft	1		10
26	541 40 50-36	Bubble	1		10
27	728 73 70-01	Screw	4		10
28	541 40 48-00	Guard	1		10
29	725 52 93-01	Screw	4		10
30	541 40 48-03	Bushing	4		10
31	541 40 48-05	Shaft	2		10
32	725 54 51-01	Screw	2		10
33	575 84 83-01	Motor Bracket	1		10
34	541 40 51-43	Key	1		10,33
35	725 54 49-01	Screw	16		10,33
36	575 84 82-01	Plate	1		10,33
37	525 54 07-01	Wedge	1		10,33
38	725 54 47-01	Screw	2		10
39	577 95 06-01	Plate	1		10
40	577 83 62-01	Lock	1		10,39
41	728 74 55-06	Screw	1		10,39
42	577 83 61-01	Bolt	1		10,39
43	510 20 27-01	Pin	1		10,39
44	728 83 64-01	Screw	2		10,39
45	731 43 18-01	Hexagon Thin Nut	1		10,39
46	543 85 02-16	Handle	1		10,39
47	541 40 40-31	Key	1		10
48	728 64 53-01	Screw	4		10
49	541 40 40-32	Pin	4		10
50	541 40 48-62	Guard	1		10
51	541 40 48-04	Shaft	2		10
52	579 27 01-01	Brake	1		10
53	541 40 48-64	Cup	1		10
54	541 40 50-43	Spring	1		10
55	541 40 48-16	Brake Knob	1		10
56	541 40 48-96	Roller	4		10

PARTS FINDER

**Search Website
by Part Number**



**Search Manual
Library For Parts
Manual & Lookup Part
Numbers – Purchase
or Request Quote**

Search Manuals

Enter your information to help us find the right parts manual for your machine.

* Brand:

* Model:

* Serial:

* Part Number:

SEARCH

**Can't Find Part or
Manual? Request Help
by Manufacturer,
Model & Description**

Parts Order Form

Please fill in the following information to help us find the right part for your machine.

Manufacturer:	<input type="text"/>
Model:	<input type="text"/>
Description:	<input type="text"/>
Part Number:	<input type="text"/>
Quantity:	<input type="text"/>
Notes:	<input type="text"/>

Discount-Equipment.com is your online resource for quality parts & equipment.

Florida: **561-964-4949** Outside Florida TOLL FREE: **877-690-3101**

Need parts?

Click on this link: <http://www.discount-equipment.com/category/5443-parts/> and choose one of the options to help get the right parts and equipment you are looking for. Please have the machine model and serial number available in order to help us get you the correct parts. If you don't find the part on the website or on one of the online manuals, please fill out the request form and one of our experienced staff members will get back to you with a quote for the right part that your machine needs.

We sell worldwide for the brands: Genie, Terex, JLG, MultiQuip, Mikasa, Essick, Whiteman, Mayco, Toro Stone, Diamond Products, Generac Magnum, Airman, Haulotte, Barreto, Power Blanket, Nifty Lift, Atlas Copco, Chicago Pneumatic, Allmand, Miller Curber, Skyjack, Lull, Skytrak, Tsurumi, Husquvarna Target, Stow, Wacker, Sakai, Mi-T-M, Sullair, Basic, Dynapac, MBW, Weber, Bartell, Bennar Newman, Haulotte, Ditch Runner, Menegotti, Morrison, Contec, Buddy, Crown, Edco, Wyco, Bomag, Laymor, EZ Trench, Bil-Jax, F.S. Curtis, Gehl Pavers, Heli, Honda, ICS/PowerGrit, IHI, Partner, Imer, Clipper, MMD, Koshin, Rice, CH&E, General Equipment, Amida, Coleman, NAC, Gradall, Square Shooter, Kent, Stanley, Tamco, Toku, Hatz, Kohler, Robin, Wisconsin, Northrock, Oztec, Toker TK, Rol-Air, APT, Wylie, Ingersoll Rand / Doosan, Innovatech, Con X, Ammann, Mecalac, Makinex, Smith Surface Prep, Small Line, Wanco, Yanmar