



# SPARE PARTS LIST

DRILLING EQUIPMENT

DS250, 2008-27

Go to [Discount-Equipment.com](http://Discount-Equipment.com) to order your parts



# PARTS FINDER

**Search Website  
by Part Number**



**Search Manual  
Library For Parts  
Manual & Lookup Part  
Numbers – Purchase  
or Request Quote**

**Search Manuals**

Enter your information to help us find the right parts manual for your machine.

\* Brand:

\* Model:

\* Serial:

\* Part Number:

SEARCH

**Can't Find Part or  
Manual? Request Help  
by Manufacturer,  
Model & Description**

**Parts Order Form**

Please fill in the following information to help us find the right part for your machine.

Manufacturer:	<input type="text"/>
Model:	<input type="text"/>
Description:	<input type="text"/>
Part Number:	<input type="text"/>
Quantity:	<input type="text"/>
Notes:	<input type="text"/>

Submit

Discount-Equipment.com is your online resource for quality parts & equipment.

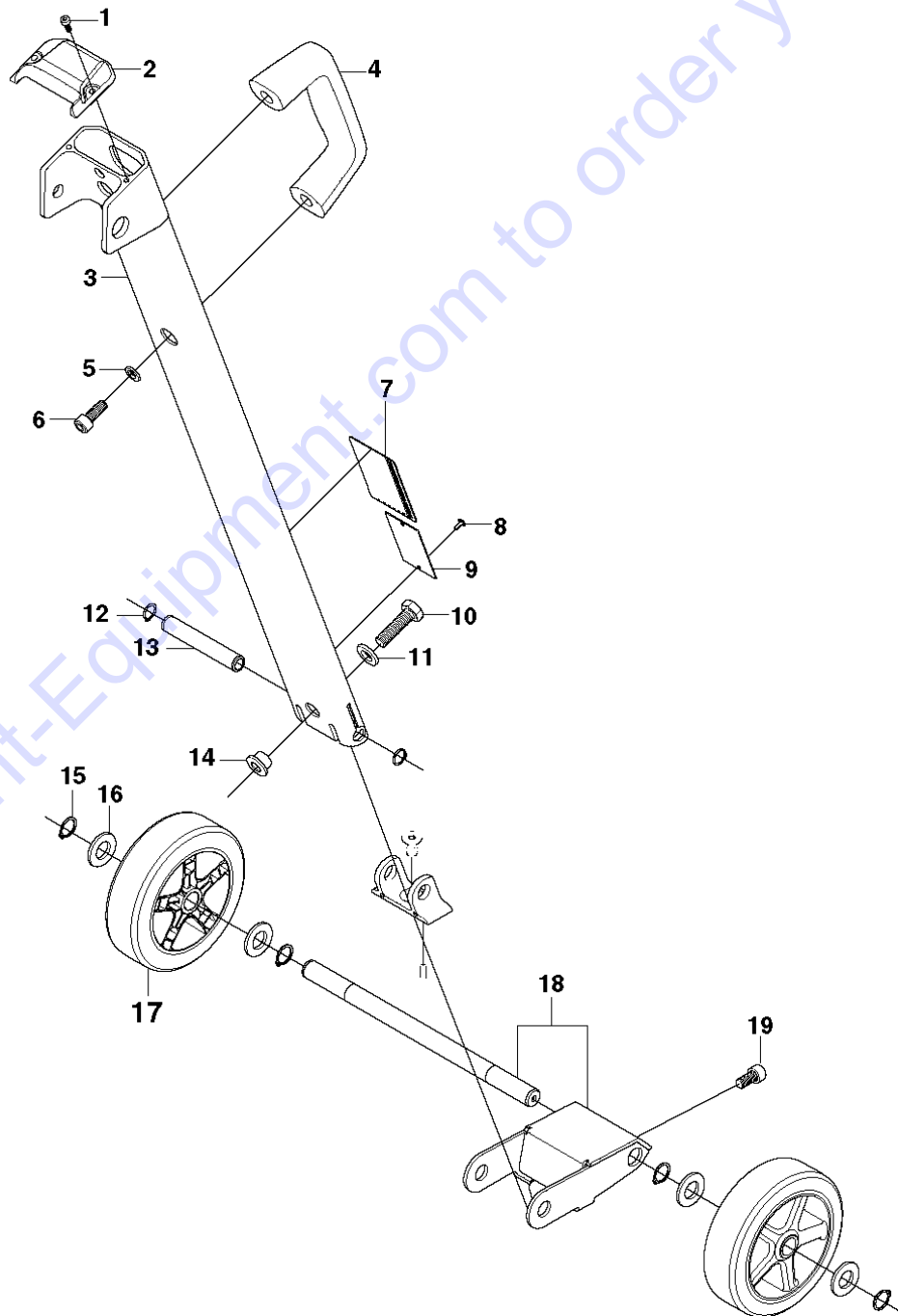
Florida: **561-964-4949** Outside Florida TOLL FREE: **877-690-3101**

**Need parts?**

Click on this link: <http://www.discount-equipment.com/category/5443-parts/> and choose one of the options to help get the right parts and equipment you are looking for. Please have the machine model and serial number available in order to help us get you the correct parts. If you don't find the part on the website or on one of the online manuals, please fill out the request form and one of our experienced staff members will get back to you with a quote for the right part that your machine needs.

We sell worldwide for the brands: Genie, Terex, JLG, MultiQuip, Mikasa, Essick, Whiteman, Mayco, Toro Stone, Diamond Products, Generac Magnum, Airman, Haulotte, Barreto, Power Blanket, Nifty Lift, Atlas Copco, Chicago Pneumatic, Allmand, Miller Curber, Skyjack, Lull, Skytrak, Tsurumi, Husquvarna Target, Stow, Wacker, Sakai, Mi-T-M, Sullair, Basic, Dynapac, MBW, Weber, Bartell, Bennar Newman, Haulotte, Ditch Runner, Menegotti, Morrison, Contec, Buddy, Crown, Edco, Wyco, Bomag, Laymor, EZ Trench, Bil-Jax, F.S. Curtis, Gehl Pavers, Heli, Honda, ICS/PowerGrit, IHI, Partner, Imer, Clipper, MMD, Koshin, Rice, CH&E, General Equipment, Amida, Coleman, NAC, Gradall, Square Shooter, Kent, Stanley, Tamco, Toku, Hatz, Kohler, Robin, Wisconsin, Northrock, Oztec, Toker TK, Rol-Air, APT, Wylie, Ingersoll Rand / Doosan, Innovatech, Con X, Ammann, Mecalac, Makinex, Smith Surface Prep, Small Line, Wanco, Yanmar

**B**



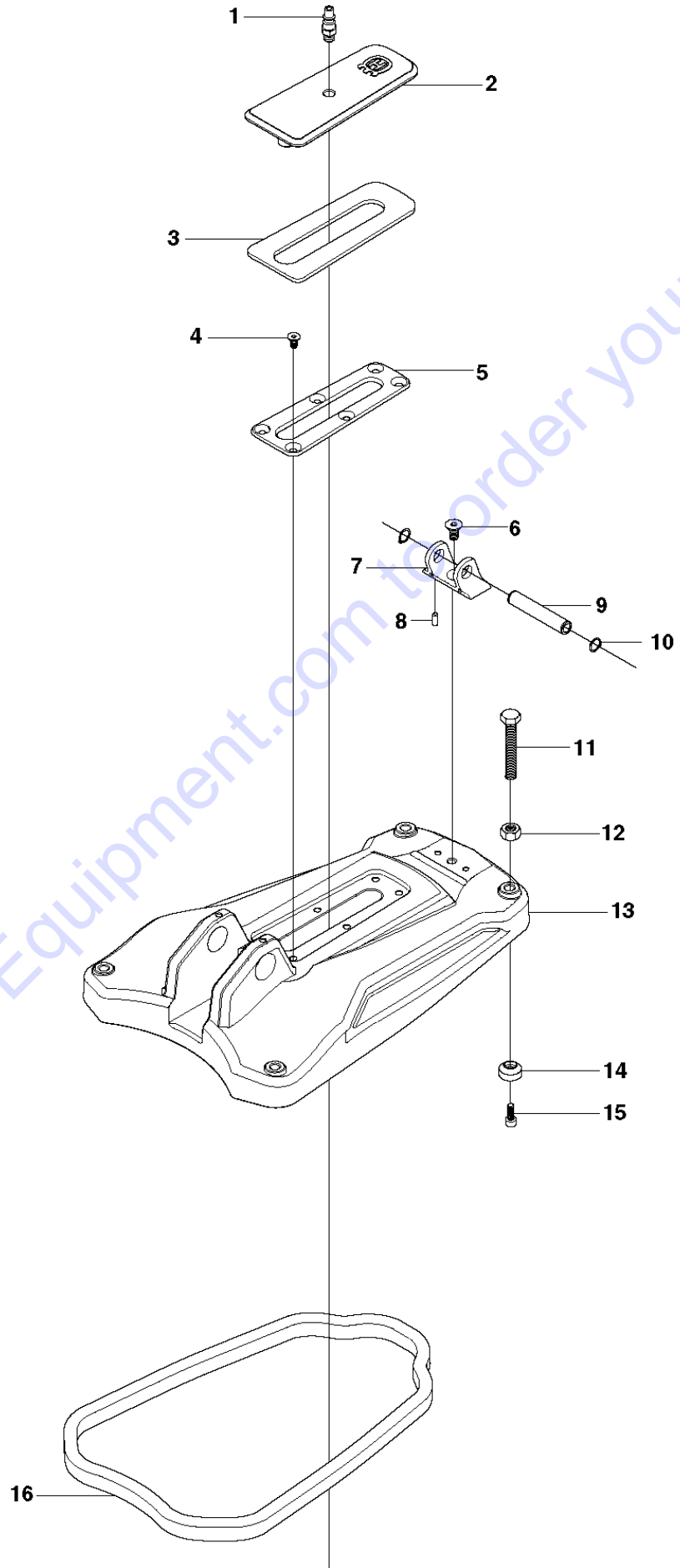
## BACK SUPPORT

DS250, 2008-27

Ref	Part No	Description	Remark	QTY KIT
1	725 52 89-01	SCREW IHSCM		2
2	541 40 48-99	BACK SUPPORT PLASTIC GUARD		1
3	541 40 48-83	DS 250 BACK SUPPORT WELDMENT		1
4	541 40 49-09	HANDLE		1
5	734 11 63-01	WASHER		2
6	725 54 51-01	SCREW IHSCM		2
7	541 40 40-98	DRILL OPERATING/INSTRUCTION DEC		1
8	722 78 25-03	BLIND RIVET		2
9	541 40 51-67	DS 250 CE COMPLIANCE PLATE		1
10	725 24 97-71	SCREW EHHM		1
11	734 11 72-01	WASHER		1
12	735 31 15-00	CIRCLIP		2
13	541 40 50-88	DS 250 BACK SUPPORT PIVOT AXLE		1
14	541 40 50-67	COLUMN CLAMP BUSHING		1
15	734 11 82-01	WASHER		4
16	541 40 50-84	WHEEL		4
17	735 31 17-01	CIRCLIP		2
18	541 40 50-87	WHEEL KIT FRAME WELDMENT		1
19	725 54 49-01	SCREW IHSCM		1

Go to Discount-Equipment.com to order your parts

# A



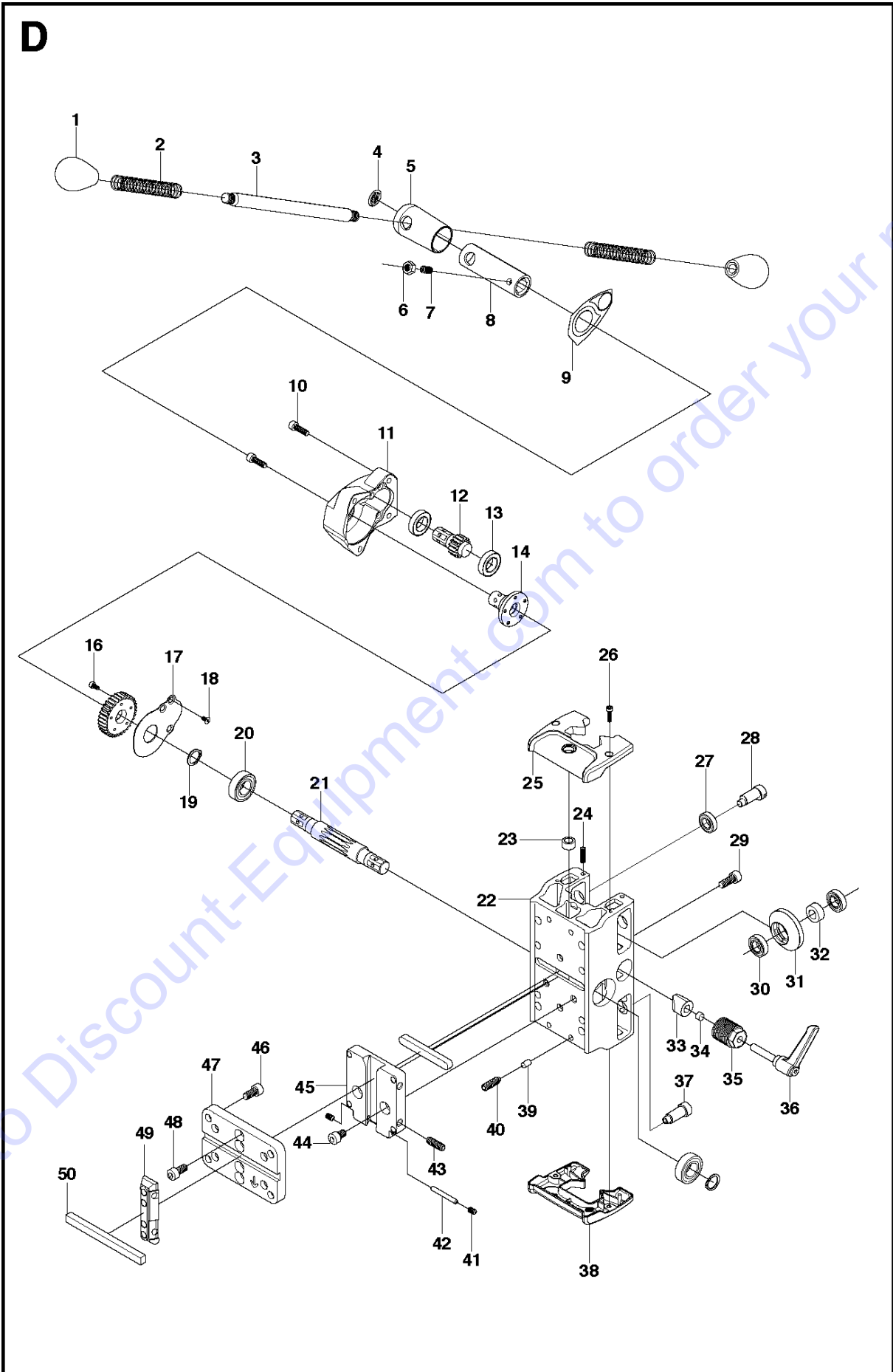
Go to Discount-Equipment.com to order your parts

## BASE PLATE

DS250, 2008-27

Ref	Part No	Description	Remark	QTY KIT
1	541 40 40-71	1/8 NPT MALE FITTING/		1
2	541 40 49-04	MACHINED VACUUM CAP		1
3	541 40 49-03	VACUUM GASKET / VACUUM CAP		1
4	725 63 66-01	SCREW IHCSFM		6
5	541 40 48-92	SLOT GUARD		1
6	725 64 49-01	SCREW IHCSFM		1
7	541 40 40-80	LEVELING SCREW/		1
8	541 40 48-87	BACK SUPPORT BASE MOUNT		4
9	541 40 48-61	MACHINED COMBO BASE		1
10	731 23 20-01	HEXAGON NUT		4
11	541 40 40-84	LEVELING SCREW CAP/		4
12	725 53 68-01	SCREW IHSCM		4
13	541 40 48-91	VACUUM GASKET / COMBO BASE		1
14	735 31 15-00	CIRCLIP		2
15	720 13 06-50	PARALLEL PIN		2
16	541 40 50-88	DS 250 BACK SUPPORT PIVOT AXLE		1

Go to [Discount-Equipment.com](http://Discount-Equipment.com) to order your parts



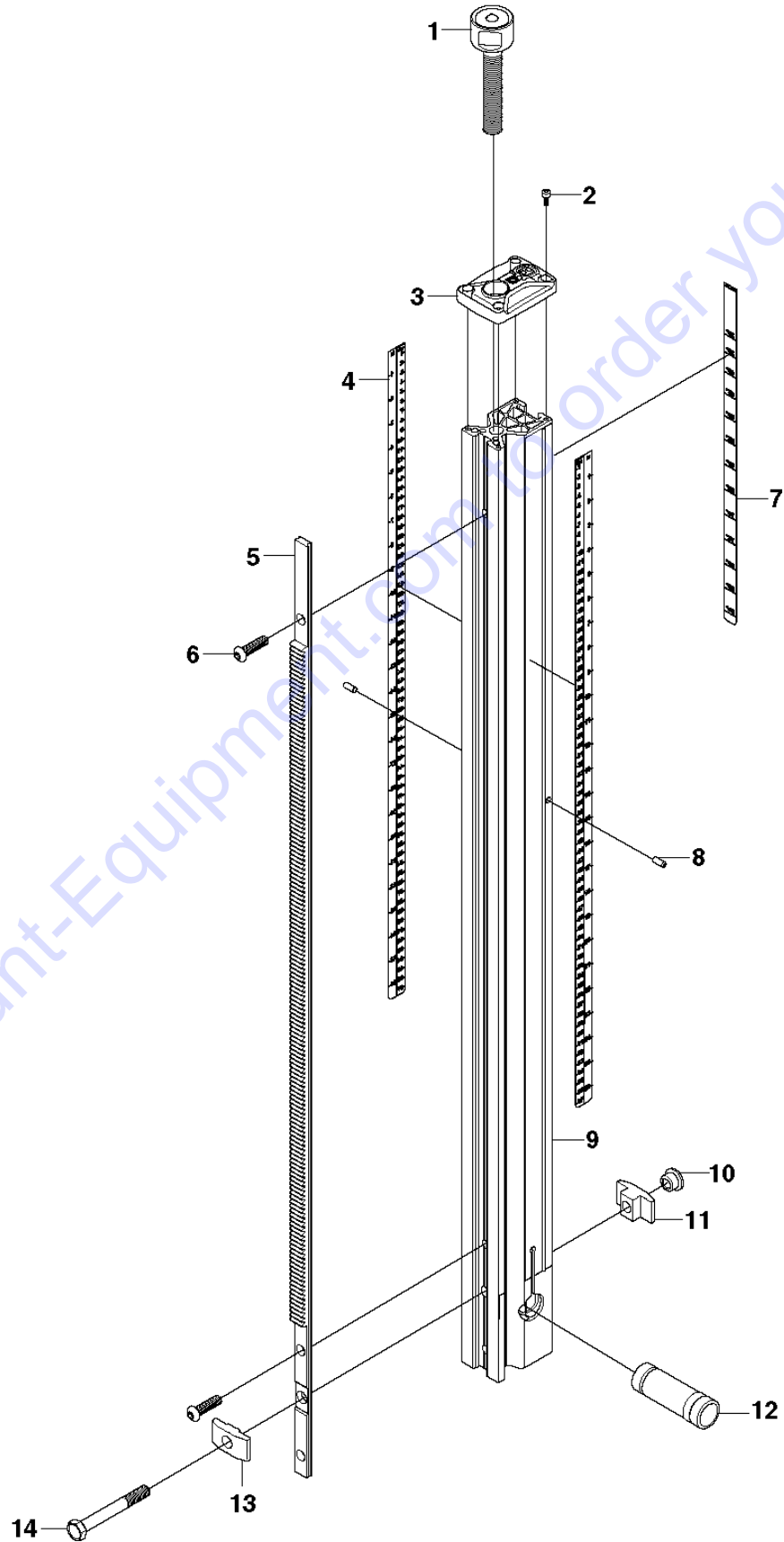
## CARRIAGE

DS250, 2008-27

Ref	Part No	Description	Remark	QTY KIT
1	531 14 06-72	GRIP		2
2	541 40 51-63	FEEDING CRANC SPRING		2
3	541 40 49-05	FEEDING CRANK SHAFT		1
4	541 40 50-47	CAP DECAL		1
5	541 40 51-37	FEEDING HANDLE PLASTIC COVER		1
6	732 21 18-01	LOCK NUT		1
7	541 40 41-33	M8X1.25 BALL PLUNGER DS160C		1
8	541 40 40-44	TRAVEL LEVER DRIVE SHAFT/		1
9	541 40 49-35	GEAR HOUSING DECAL		1
10	725 53 72-01	SCREW IHSCM		5
11	541 40 49-27	GEAR HOUSING MACHINED		1
12	541 40 49-11	1.5 MODULE 22.5 P.D. 15 TOOTH 20 DEGREE INVOLUTE G		1
13	541 40 49-10	17MM I.D.X 30MMO.D.X 7MM WIDTH BEARING (6903-2NSE)		2
14	541 40 49-13	INPUT SHAFT EXTENSION PLATE		1
16	725 52 87-01	SCREW IHSCM		5
17	541 40 49-28	GEAR HOUSING COVER PLATE		1
18	725 62 87-01	SCREW IHCSFM		3
19	735 31 19-00	CIRCLIP		2
20	738 21 03-04	BALL BEARING		2
21	541 40 48-06	CARRIAGE DRIVE SHAFT		1
22	541 40 47-98	MACHINED CARRIAGE		1
23	541 40 50-36	LEVEL BUBBLE		1
24	728 73 70-01	SCREW IHSETM		4
25	541 40 48-00	CARRIAGE PLASTIC GUARD - TOP		1
26	725 52 93-01	SCREW IHSCM		4
27	541 40 48-03	ECCENTRIC BUSHING		4
28	541 40 48-05	ECCENTRIC SHAFT		2
29	725 54 51-01	SCREW IHSCM		2
30	725 54 30-01	TBD		3
31	541 40 40-34	12MM I.D.X24MMO.DX6MM/WITH BEA		8
32	541 40 48-95	NYLON ROLLER		4
33	541 40 40-36	SPACER		4
34	541 40 48-66	FRICTION BRAKE		1
35	541 40 48-65	BRAKE THRUST PLATE		1
36	541 40 48-64	FRICTION BRAKE CUP		1
37	541 40 48-62	CARRIAGE PLASTIC GUARD - BOTTOM		1
38	541 40 48-04	STRAIGHT SHAFT		2
39	541 40 48-62	CARRIAGE PLASTIC GUARD - BOTTOM		1
40	541 40 40-32	GUIDE CYLINDER/		2
41	728 64 53-01	SCREW IHSETM		4
42	728 83 64-01	SCREW IHSETM		2
43	720 13 18-50	PARALLEL PIN		1
44	728 74 55-01	SCREW IHSETM		2
45	725 54 47-01	SCREW IHSCM		2
46	541 40 51-41	QUICK ATTACH DOVE TAIL RECEIVER		1
47	541 40 51-42	QA DOVETAIL BRACKET		1
48	725 54 49-01	SCREW IHSCM		8
49	541 40 51-39	QA MOTOR PLATE		1
50	725 54 49-01	SCREW IHSCM		8
51	541 40 51-43	10MM X 9MM RECTANGULAR KEY		1



# C



## COLLUMN ASSY

DS250, 2008-27

Ref	Part No	Description	Remark	QTY KIT
1	541 40 48-09	JACKING SCREW ASSEMBLY		1
2	725 52 89-01	SCREW IHSCM		4
3	541 40 48-68	COULMN PLASTIC GUARD		1
4	541 40 40-54	DEPTH MEASUREMENT DECAL/		2
5	541 40 48-78	DS 250 RACK		1
6	541 40 48-15	SCREW IHPANM		3
7	541 40 48-82	ANGLE MEASUREMENT DECAL		1
8	720 13 06-50	PARALLEL PIN		2
9	541 40 47-95	DS 250 COLUMN EXTRUSION MACHINED		1
10	541 40 50-67	COLUMN CLAMP BUSHING		1
11	541 40 48-70	COLUMN CLAMP - BACK		1
12	725 25 07-51	SCREW EHHM		1
13	541 40 48-69	COLUMN CLAMP - FRONT		1
14	541 40 48-81	COLUMN PIVOT AXLE		1

Go to [Discount-Equipment.com](http://Discount-Equipment.com) to order your parts

# PARTS FINDER

**Search Website  
by Part Number**



**Search Manual  
Library For Parts  
Manual & Lookup Part  
Numbers – Purchase  
or Request Quote**

**Search Manuals**

Enter your information to help us find the right parts manual for your machine.

\* Brand:

\* Model:

\* Serial:

\* Part Number:

SEARCH

**Can't Find Part or  
Manual? Request Help  
by Manufacturer,  
Model & Description**

**Parts Order Form**

Please fill in the following information to help us find the right part for your machine.

Manufacturer:

Model:

Description:

Part Number:

Quantity:

Price:

Submit

Discount-Equipment.com is your online resource for quality parts & equipment.

Florida: **561-964-4949** Outside Florida TOLL FREE: **877-690-3101**

**Need parts?**

Click on this link: <http://www.discount-equipment.com/category/5443-parts/> and choose one of the options to help get the right parts and equipment you are looking for. Please have the machine model and serial number available in order to help us get you the correct parts. If you don't find the part on the website or on one of the online manuals, please fill out the request form and one of our experienced staff members will get back to you with a quote for the right part that your machine needs.

We sell worldwide for the brands: Genie, Terex, JLG, MultiQuip, Mikasa, Essick, Whiteman, Mayco, Toro Stone, Diamond Products, Generac Magnum, Airman, Haulotte, Barreto, Power Blanket, Nifty Lift, Atlas Copco, Chicago Pneumatic, Allmand, Miller Curber, Skyjack, Lull, Skytrak, Tsurumi, Husquvarna Target, Stow, Wacker, Sakai, Mi-T-M, Sullair, Basic, Dynapac, MBW, Weber, Bartell, Bennar Newman, Haulotte, Ditch Runner, Menegotti, Morrison, Contec, Buddy, Crown, Edco, Wyco, Bomag, Laymor, EZ Trench, Bil-Jax, F.S. Curtis, Gehl Pavers, Heli, Honda, ICS/PowerGrit, IHI, Partner, Imer, Clipper, MMD, Koshin, Rice, CH&E, General Equipment, Amida, Coleman, NAC, Gradall, Square Shooter, Kent, Stanley, Tamco, Toku, Hatz, Kohler, Robin, Wisconsin, Northrock, Oztec, Toker TK, Rol-Air, APT, Wylie, Ingersoll Rand / Doosan, Innovatech, Con X, Ammann, Mecalac, Makinex, Smith Surface Prep, Small Line, Wanco, Yanmar