



# SPARE PARTS LIST

DUST AND SLURRY MANAGEMENT

W 70 P, 2019-11

Go to [Discount-Equipment.com](http://Discount-Equipment.com) to order your parts



# PARTS FINDER

**Search Website  
by Part Number**



**Search Manual  
Library For Parts  
Manual & Lookup Part  
Numbers – Purchase  
or Request Quote**

**Search Manuals**

Enter your information to help us find the right parts manual for your machine.

\* Brand:

\* Model:

\* Serial:

\* Part Number:

SEARCH

**Can't Find Part or  
Manual? Request Help  
by Manufacturer,  
Model & Description**

**Parts Order Form**

Please fill in the following information to help us find the right part for your machine.

Manufacturer:	<input type="text"/>
Model:	<input type="text"/>
Description:	<input type="text"/>
Part Number:	<input type="text"/>
Quantity:	<input type="text"/>
Notes:	<input type="text"/>

Submit

Discount-Equipment.com is your online resource for quality parts & equipment.

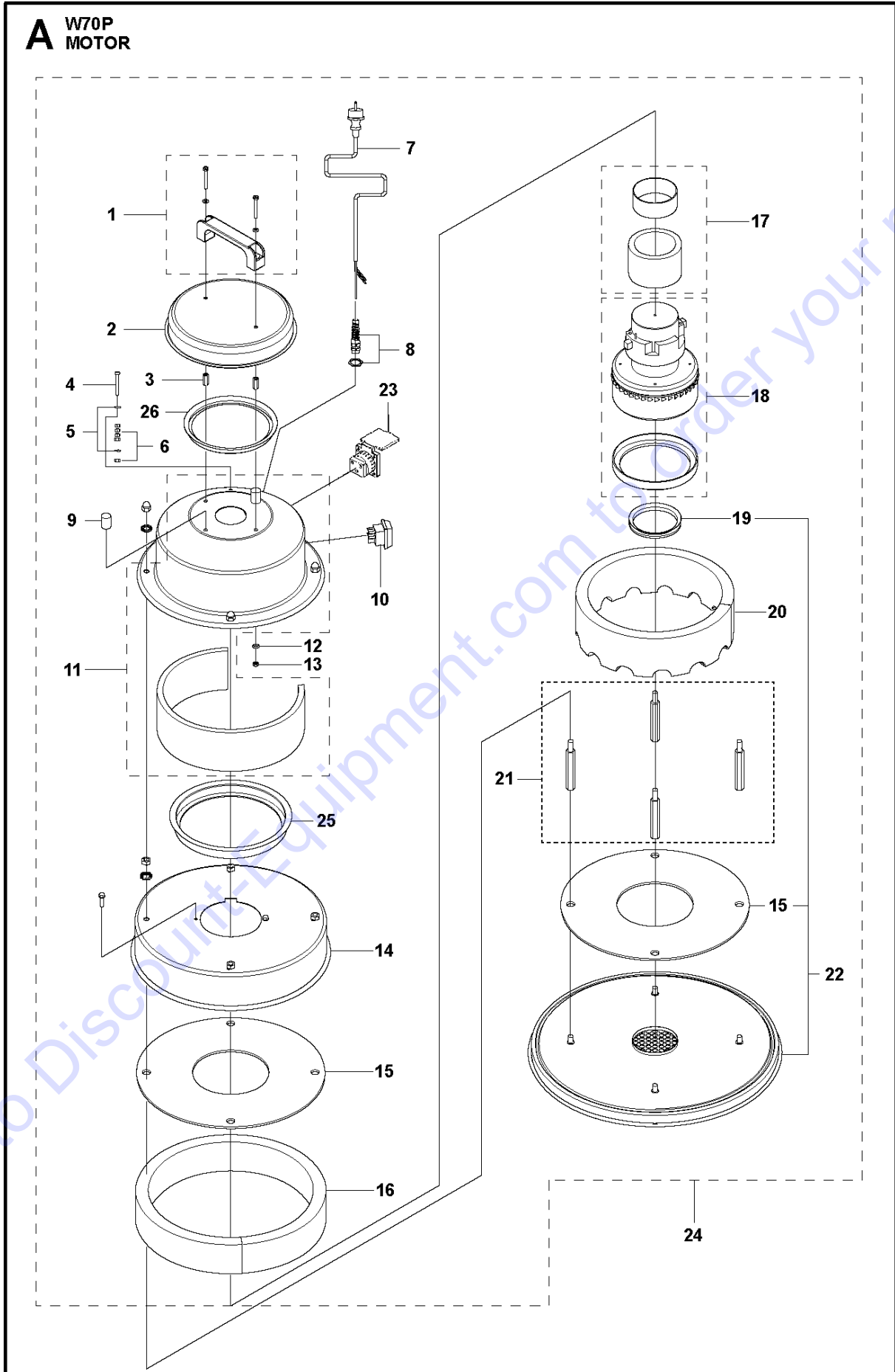
Florida: **561-964-4949** Outside Florida TOLL FREE: **877-690-3101**

**Need parts?**

Click on this link: <http://www.discount-equipment.com/category/5443-parts/> and choose one of the options to help get the right parts and equipment you are looking for. Please have the machine model and serial number available in order to help us get you the correct parts. If you don't find the part on the website or on one of the online manuals, please fill out the request form and one of our experienced staff members will get back to you with a quote for the right part that your machine needs.

We sell worldwide for the brands: Genie, Terex, JLG, MultiQuip, Mikasa, Essick, Whiteman, Mayco, Toro Stone, Diamond Products, Generac Magnum, Airman, Haulotte, Barreto, Power Blanket, Nifty Lift, Atlas Copco, Chicago Pneumatic, Allmand, Miller Curber, Skyjack, Lull, Skytrak, Tsurumi, Husquvarna Target, Stow, Wacker, Sakai, Mi-T-M, Sullair, Basic, Dynapac, MBW, Weber, Bartell, Bennar Newman, Haulotte, Ditch Runner, Menegotti, Morrison, Contec, Buddy, Crown, Edco, Wyco, Bomag, Laymor, EZ Trench, Bil-Jax, F.S. Curtis, Gehl Pavers, Heli, Honda, ICS/PowerGrit, IHI, Partner, Imer, Clipper, MMD, Koshin, Rice, CH&E, General Equipment, Amida, Coleman, NAC, Gradall, Square Shooter, Kent, Stanley, Tamco, Toku, Hatz, Kohler, Robin, Wisconsin, Northrock, Oztec, Toker TK, Rol-Air, APT, Wylie, Ingersoll Rand / Doosan, Innovatech, Con X, Ammann, Mecalac, Makinex, Smith Surface Prep, Small Line, Wanco, Yanmar

**A** W70P  
MOTOR



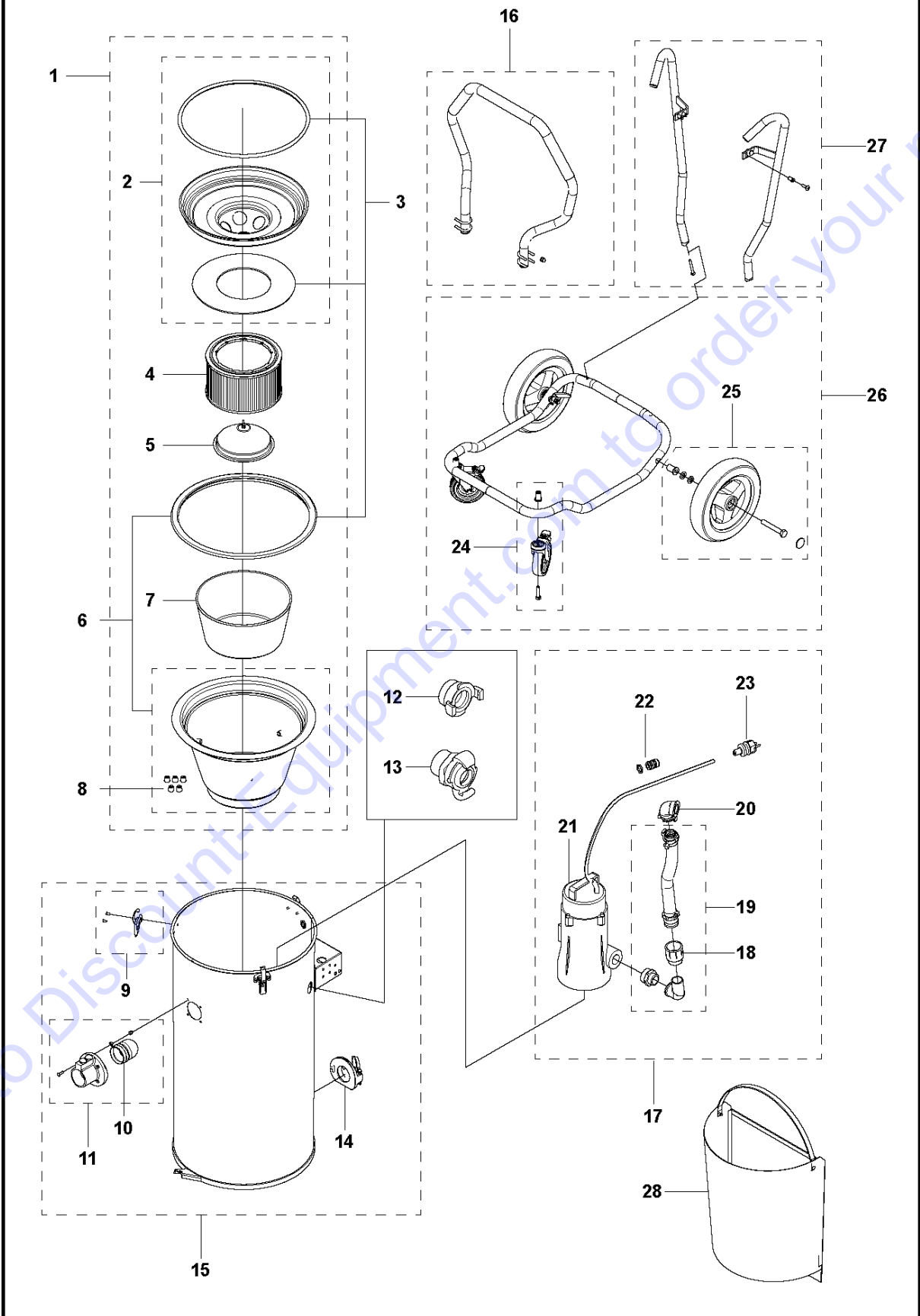
## MOTOR

W 70 P, 2019-11

Ref	Part No	Description	Remark	QTY KIT
1	590 47 05-01	HANDLE KIT		1
2	590 47 06-01	CAP		1
3	591 76 51-01	NUT		2
4	591 76 18-01	SCREW		1
5	591 76 02-01	WASHER		2
6	591 75 97-01	NUT		7
7	593 71 74-03	POWER CORD	EU	1
7	593 71 74-06	POWER CORD	US	1
7	593 71 74-01	POWER CORD	AUS	1
7	593 71 74-10	POWER CORD	BR	1
7	593 71 74-04	POWER CORD	UK	1
8	590 39 95-01	CABLE GROMMET	UK / US	1
8	590 40 25-01	CABLE GROMMET	RoW	1
9	591 75 09-01	SPACER		2
10	591 53 72-01	BUTTON		2
11	590 49 87-02	HOUSING ASSY		1
12	735 11 46-01	SPRING WASHER		3
13	591 75 97-01	NUT		7
14	591 71 71-02	HOUSING		1
15	591 73 15-01	PACKING		2
16	591 73 14-01	INSULATION		1
17	590 47 04-01	SEAL KIT		1
18	590 47 19-01	MOTOR KIT	120V	1
18	591 90 65-01	ENGINE	230V	1
19	591 73 07-01	V-RING		1
20	590 46 98-01	INSULATION		1
21	590 47 03-01	SPACER		1
22	590 47 02-01	TANK CAP		1
23	590 39 63-01	ELECTRICAL SYSTEM		1
24	591 58 88-05	UNIT	US	1
24	591 58 88-06	UNIT	AUS	1
24	591 58 88-07	UNIT	BR	1
24	591 58 88-08	UNIT	EU	1
24	591 58 88-10	UNIT	UK	1
25	599 14 34-01	GASKET		1
26	599 14 33-01	GASKET		1

Go to Discount-Equipment.com to order your parts

**B** W70P  
TANK



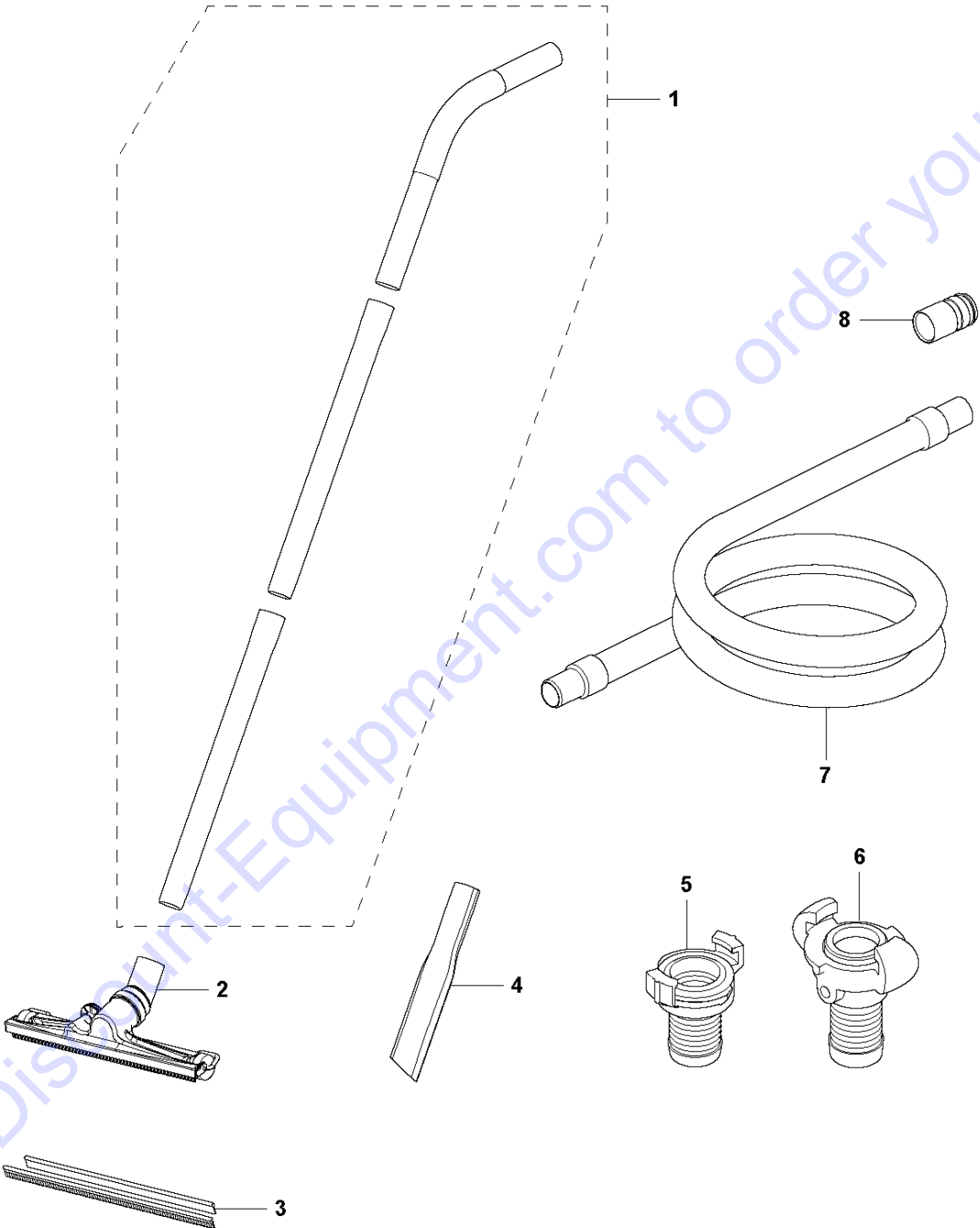
## TANK

W 70 P, 2019-11

Ref	Part No	Description	Remark	QTY KIT	
1	590 46 93-01	FILTER		1	
2	590 47 09-01	FILTER		1	1
3	590 47 01-01	SEAL KIT		1	1
4	590 43 89-01	FILTER		1	1
4	598 40 01-01	FILTER	Hepa filter, optional	1	
5	590 47 10-01	CAP		1	1
6	590 47 00-01	TUBE		1	1
7	590 47 57-01	FLOAT		1	1
8	590 47 11-01	PLUG KIT		1	6
9	590 39 64-01	HOLDER KIT		3	15
10	590 46 96-01	SCOOP		1	11
11	590 46 95-01	INLET		1	15
12	591 70 98-01	HOSE COUPLING		1	15
13	591 71 25-01	HOSE COUPLING		1	15
14	590 47 13-02	COVER KIT		1	15
15	590 48 11-02	TANK		1	
16	590 47 08-01	HANDLE		1	
17	590 47 21-01	PUMP KIT		1	
18	590 47 15-01	VALVE KIT		1	19
19	590 47 16-01	HOSE KIT		1	17
20	590 47 18-01	HOSE COUPLING		1	17
21	590 46 97-01	PUMP	120V	1	17
21	590 43 51-01	PUMP	230V	1	17
22	590 47 17-01	CORD BRACKET		1	17
23	591 79 02-01	PLUG		1	17
24	590 39 72-01	WHEEL KIT		1	26
25	590 39 70-01	REAR WHEEL		1	26
26	590 47 12-02	FRAME		1	
27	590 47 07-01	PROTECTION		1	
28	590 47 14-01	STRAINER		1	

Go to Discount-Equipment.com to order your parts

**C** W70P  
ACCESSORIES



Go to [Discount-Equipment.com](http://Discount-Equipment.com) to order your parts

## ACCESSORIES

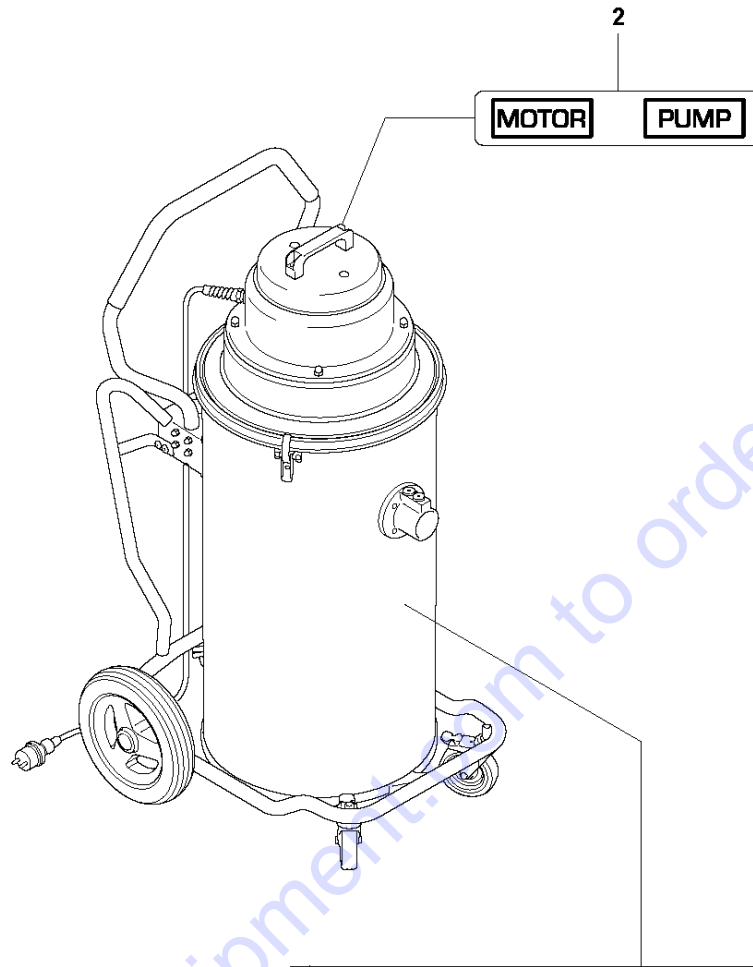
W 70 P, 2019-11

Ref	Part No	Description	Remark	QTY KIT
1	590 42 86-01	TOOL		1
2	591 99 27-01	NOZZLE		1
3	590 42 85-01	TOOL		1
4	590 42 82-01	TOOL		1
5	591 70 96-01	COUPLING	GEKA	1
6	591 71 24-01	COUPLING	ATLAS	1
7	590 42 79-01	HOSE KIT		1
8	590 43 75-01	HOSE		1

Go to [Discount-Equipment.com](http://Discount-Equipment.com) to order your parts



**D** W70P  
DECALS



**Husqvarna**<sup>®</sup>  
**W70P**

Go to Discount-Equipment.com to order your parts

Ref	Part No	Description	Remark	QTY KIT
1	590 74 99-14	DECAL		1
2	592 00 20-01	DECAL		1

Go to [Discount-Equipment.com](http://Discount-Equipment.com) to order your parts

# PARTS FINDER

**Search Website  
by Part Number**



**Search Manual  
Library For Parts  
Manual & Lookup Part  
Numbers – Purchase  
or Request Quote**

**Search Manuals**

Enter your information to help us find the right parts manual for your machine.

\* Brand:

\* Model:

\* Serial:

\* Part Number:

SEARCH

**Can't Find Part or  
Manual? Request Help  
by Manufacturer,  
Model & Description**

**Parts Order Form**

Please fill in the following information to help us find the right part for your machine.

Manufacturer:	<input type="text"/>
Model:	<input type="text"/>
Description:	<input type="text"/>
Part Number:	<input type="text"/>
Quantity:	<input type="text"/>
Notes:	<input type="text"/>
Submit	<input type="button" value="Submit"/>

Discount-Equipment.com is your online resource for quality parts & equipment.

Florida: **561-964-4949** Outside Florida TOLL FREE: **877-690-3101**

**Need parts?**

Click on this link: <http://www.discount-equipment.com/category/5443-parts/> and choose one of the options to help get the right parts and equipment you are looking for. Please have the machine model and serial number available in order to help us get you the correct parts. If you don't find the part on the website or on one of the online manuals, please fill out the request form and one of our experienced staff members will get back to you with a quote for the right part that your machine needs.

We sell worldwide for the brands: Genie, Terex, JLG, MultiQuip, Mikasa, Essick, Whiteman, Mayco, Toro Stone, Diamond Products, Generac Magnum, Airman, Haulotte, Barreto, Power Blanket, Nifty Lift, Atlas Copco, Chicago Pneumatic, Allmand, Miller Curber, Skyjack, Lull, Skytrak, Tsurumi, Husquvarna Target, Stow, Wacker, Sakai, Mi-T-M, Sullair, Basic, Dynapac, MBW, Weber, Bartell, Bennar Newman, Haulotte, Ditch Runner, Menegotti, Morrison, Contec, Buddy, Crown, Edco, Wyco, Bomag, Laymor, EZ Trench, Bil-Jax, F.S. Curtis, Gehl Pavers, Heli, Honda, ICS/PowerGrit, IHI, Partner, Imer, Clipper, MMD, Koshin, Rice, CH&E, General Equipment, Amida, Coleman, NAC, Gradall, Square Shooter, Kent, Stanley, Tamco, Toku, Hatz, Kohler, Robin, Wisconsin, Northrock, Oztec, Toker TK, Rol-Air, APT, Wylie, Ingersoll Rand / Doosan, Innovatech, Con X, Ammann, Mecalac, Makinex, Smith Surface Prep, Small Line, Wanco, Yanmar