



SPARE PARTS LIST

SURFACE PREPARATION EQUIPMENT

PG 690 RC, 2020-06

Go to Discount-Equipment.com to order your parts



PARTS FINDER

**Search Website
by Part Number**



**Search Manual
Library For Parts
Manual & Lookup Part
Numbers – Purchase
or Request Quote**

Search Manuals

Enter your information to help us find the right parts manual for your machine.

* Brand:

* Model:

* Serial:

* Part Number:

SEARCH

**Can't Find Part or
Manual? Request Help
by Manufacturer,
Model & Description**

Parts Order Form

Please fill in the following information to help us find the right part for your machine.

MANUFACTURER:

MODEL:

DESCRIPTION:

DATE:

TIME:

PHONE:

EMAIL:

ADDRESS:

CITY:

STATE:

ZIP:

COUNTRY:

SEARCH

Discount-Equipment.com is your online resource for quality parts & equipment.

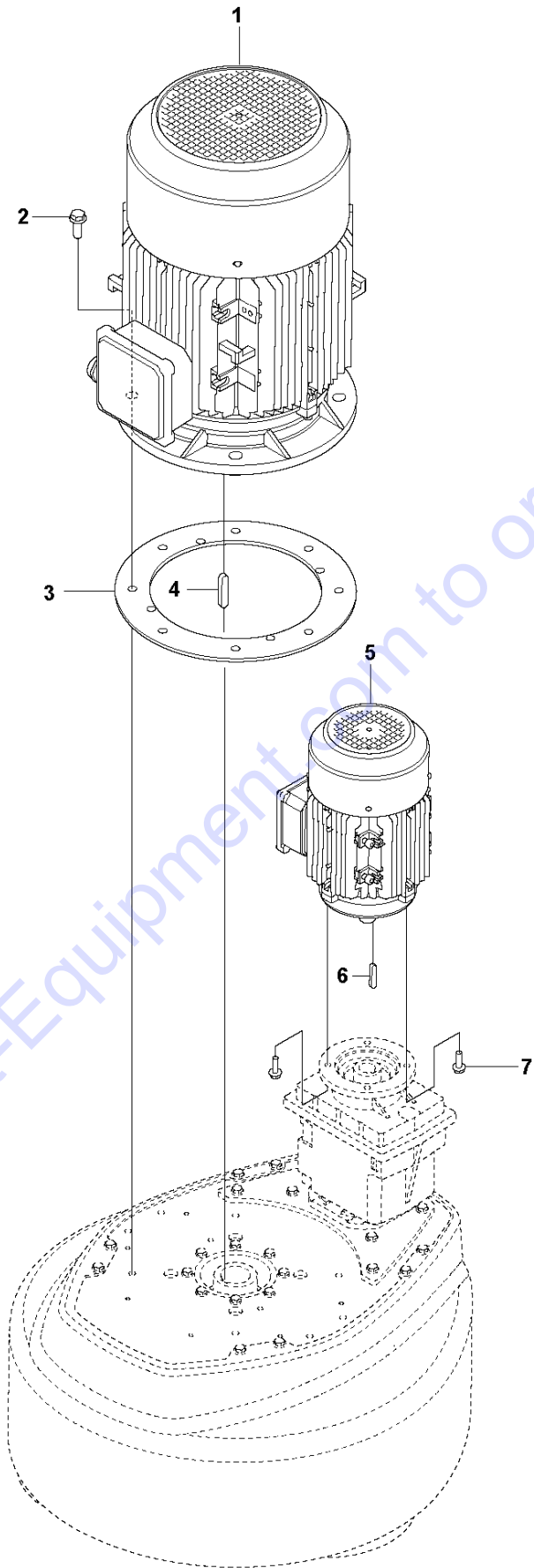
Florida: **561-964-4949** Outside Florida TOLL FREE: **877-690-3101**

Need parts?

Click on this link: <http://www.discount-equipment.com/category/5443-parts/> and choose one of the options to help get the right parts and equipment you are looking for. Please have the machine model and serial number available in order to help us get you the correct parts. If you don't find the part on the website or on one of the online manuals, please fill out the request form and one of our experienced staff members will get back to you with a quote for the right part that your machine needs.

We sell worldwide for the brands: Genie, Terex, JLG, MultiQuip, Mikasa, Essick, Whiteman, Mayco, Toro Stone, Diamond Products, Generac Magnum, Airman, Haulotte, Barreto, Power Blanket, Nifty Lift, Atlas Copco, Chicago Pneumatic, Allmand, Miller Curber, Skyjack, Lull, Skytrak, Tsurumi, Husquvarna Target, Stow, Wacker, Sakai, Mi-T-M, Sullair, Basic, Dynapac, MBW, Weber, Bartell, Bennar Newman, Haulotte, Ditch Runner, Menegotti, Morrison, Contec, Buddy, Crown, Edco, Wyco, Bomag, Laymor, EZ Trench, Bil-Jax, F.S. Curtis, Gehl Pavers, Heli, Honda, ICS/PowerGrit, IHI, Partner, Imer, Clipper, MMD, Koshin, Rice, CH&E, General Equipment, Amida, Coleman, NAC, Gradall, Square Shooter, Kent, Stanley, Tamco, Toku, Hatz, Kohler, Robin, Wisconsin, Northrock, Oztec, Toker TK, Rol-Air, APT, Wylie, Ingersoll Rand / Doosan, Innovatech, Con X, Ammann, Mecalac, Makinex, Smith Surface Prep, Small Line, Wanco, Yanmar

A PG 690 RC
MOTOR

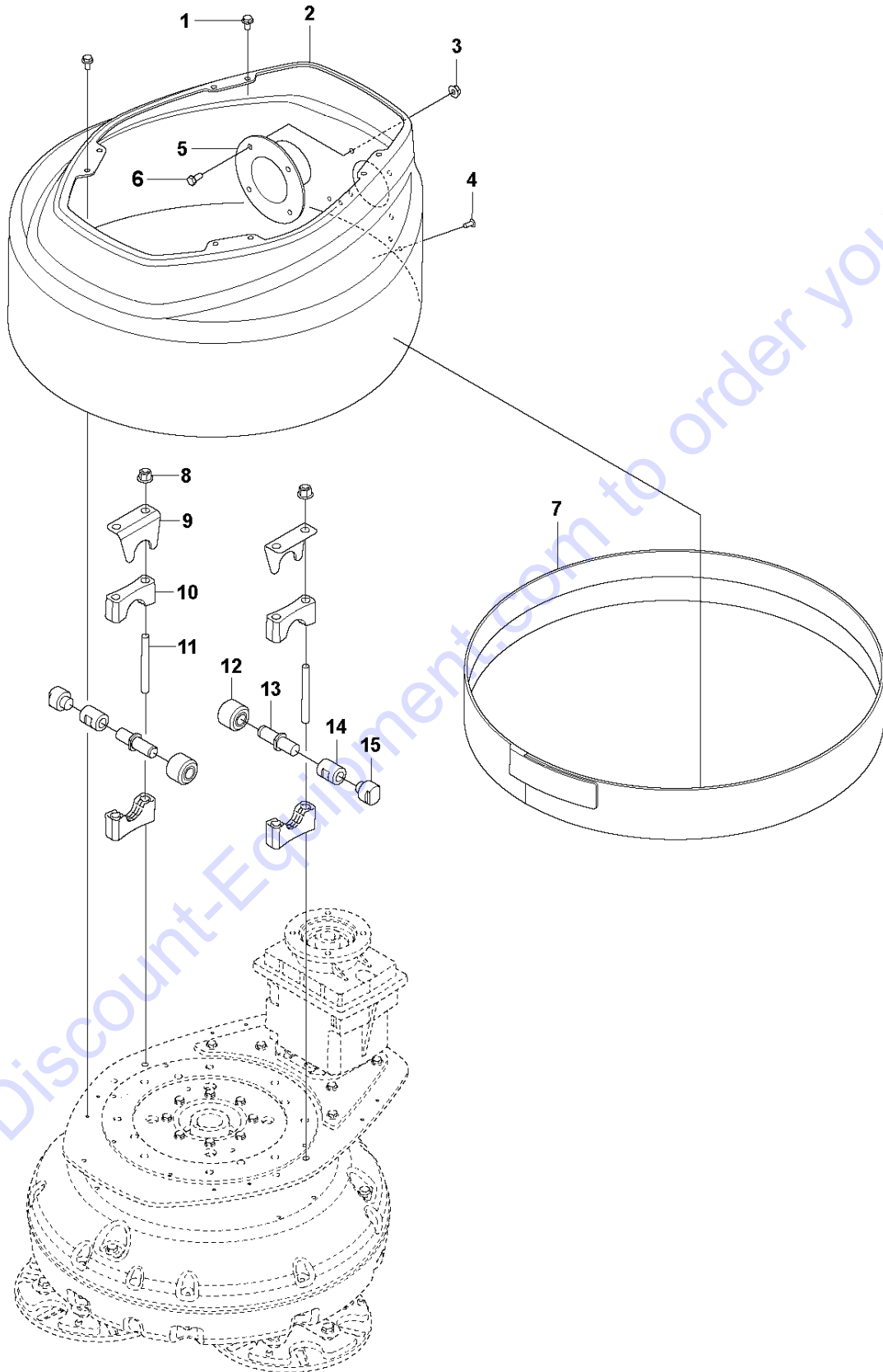


Go to Discount-Equipment.com to order your parts

Ref	Part No	Description	Remark	QTY KIT
1	595 53 09-01	MOTOR	11KW, 230-400V 50/60Hz	1
2	598 74 98-01	SCREW	M12x35 DRI-SEAL	4
3	597 25 51-01	SEAL		1
4	000 00 00-00	W/O DESCRIPTION	L=88mm W=12mm t=8mm	1
5	597 77 41-01	MOTOR	1,5KW 230-400V 50/60Hz	1
6	000 00 00-00	W/O DESCRIPTION	L=40mm W=8mm t=7mm	1
7	506 57 01-05	SCREW EHHFM	M8x25	4

Go to Discount-Equipment.com to order your parts

B PG 690 RC
GRINDING HEAD, OUTER

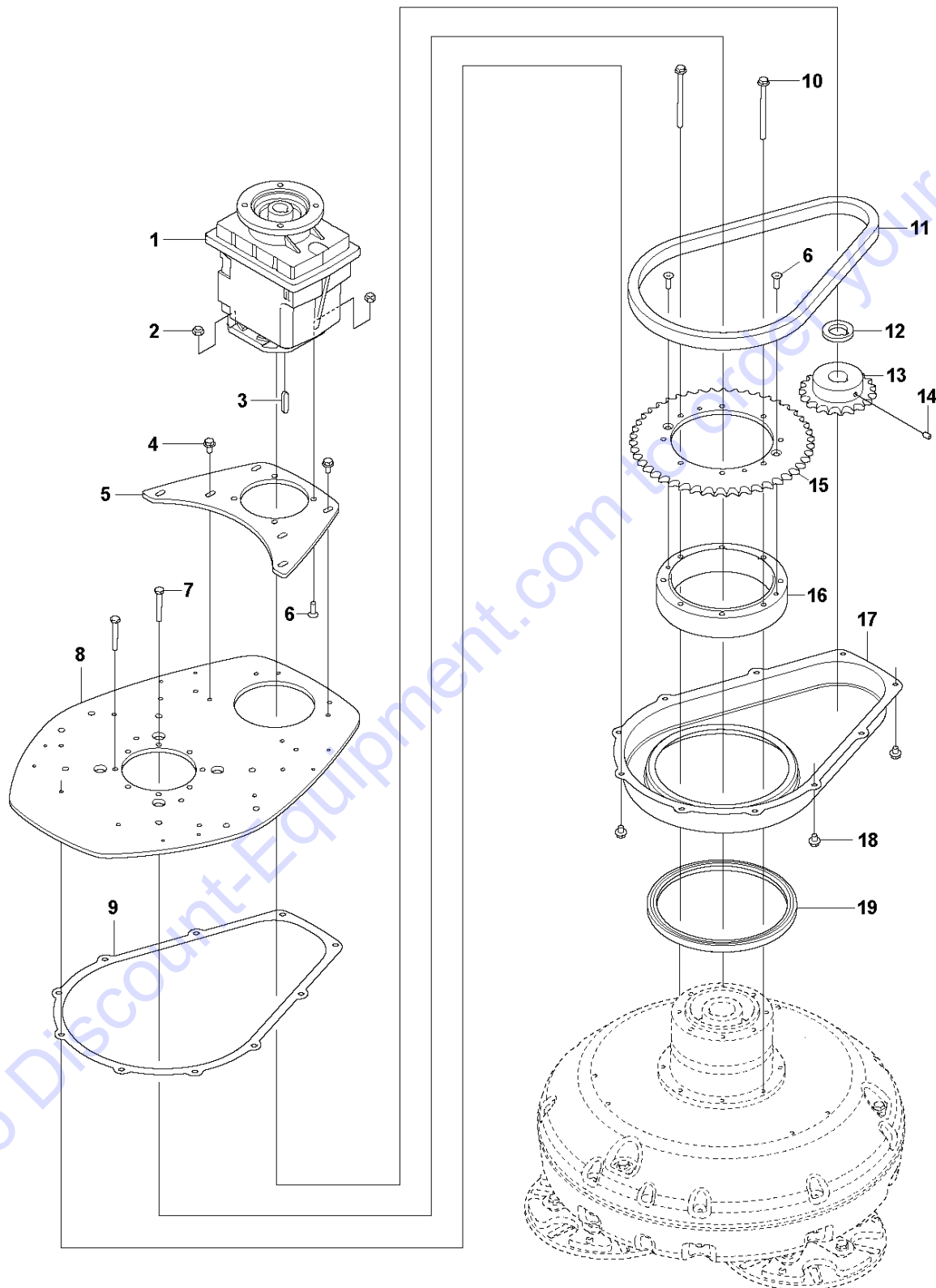


Go to Discount-Equipment.com to order your parts

Ref	Part No	Description	Remark	QTY KIT
1	597 72 09-01	SCREW	M8x10	8
2	597 47 38-01	DUST COVER		1
3	576 64 57-03	NUT FLANGE		4
4	593 50 08-01	RIVET		4
5	599 31 60-01	HOSE CONNECTOR		1
6	531 11 94-26	SCREW		4
7	598 03 43-01	RUBBER SKIRT		1
8	576 64 57-06	NUT FLANGE	M12 Nylon lock	4
9	598 77 80-01	STOP	Suspension Bushing	2
10	593 54 20-01	CLAMP	Suspension	4
11	597 80 33-01	STUD		4
12	593 53 90-01	SUSPENSION	rubber	2
13	593 53 83-01	AXLE		2
14	593 53 84-01	NUT	Grinding head suspension	2
15	598 39 97-01	SUPPORT	Support	2

Go to Discount-Equipment.com to order your parts

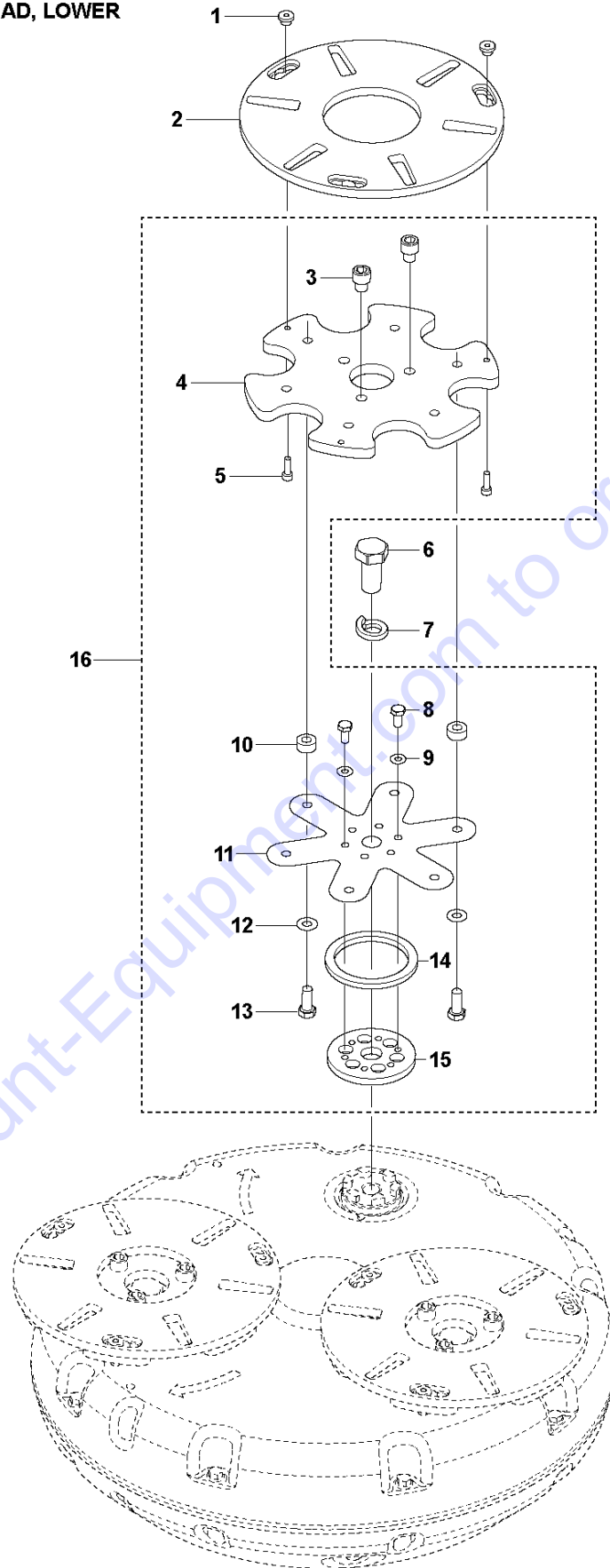
C PG 690 RC
GEARBOX & TRANSMISSION



Ref	Part No	Description	Remark	QTY KIT
1	597 60 59-01	GEARBOX		1
2	522 91 94-01	LOCK NUT	M8 Lock Nut	4
3	000 00 00-00	W/O DESCRIPTION	L=50mm W=8mm t=7mm	1
4	506 57 01-03	SCREW EHHFM	M8x16	6
5	597 60 77-01	PLATE	Secondary motor	1
6	725 64 53-01	SCREW IHCSFM	M8x25	6
7	725 24 62-51	SCREW EHHM	ISO 4014	8
8	597 54 43-01	PLATE	DD motor base 640	1
9	597 70 72-01	SEAL	Housing, PG640	1
10	598 74 96-01	SCREW	M8x110	8
11	597 60 38-01	CHAIN	DD 640	1
12	597 70 73-01	SPACER RING	Driving Sprocket	1
13	597 60 32-01	SPROCKET	Drive	1
14	505 39 03-01	SCREW IHSETM	M8x12 drylock	1
15	597 60 34-01	SPROCKET	Driven DD 640	1
16	597 60 53-01	SPACER RING	Driven sprocket	1
17	597 60 56-01	TRANSMISSION COVER	DD 640	1
18	597 72 09-01	SCREW	M8x10 drylock	10
19	597 60 58-01	RADIAL SEAL	210x240x15	1

Go to Discount-Equipment.com to order your parts

D PG 690 RC
GRINDING HEAD, LOWER



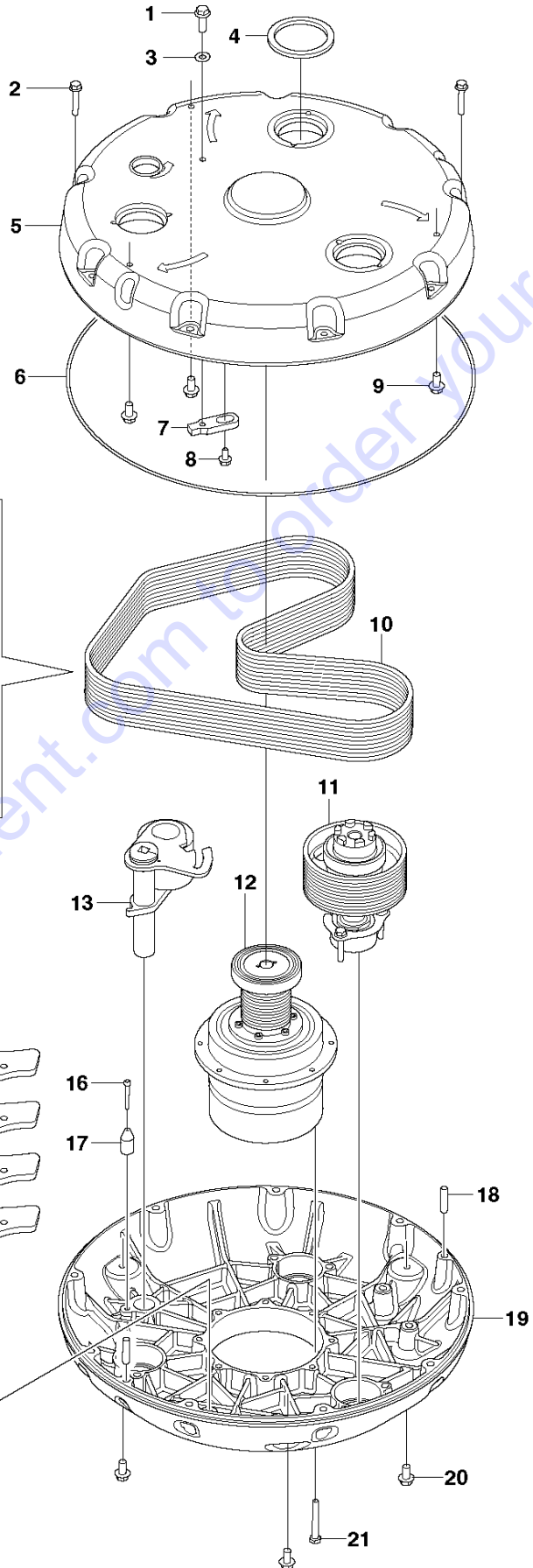
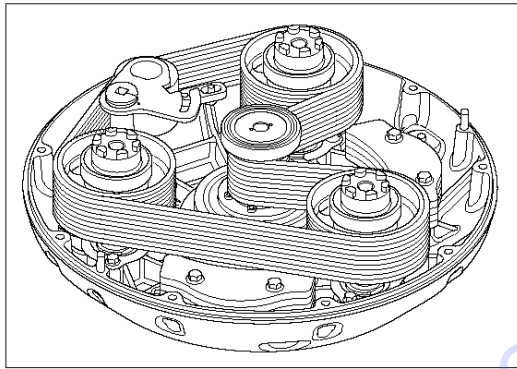
GRINDING HEAD, LOWER

PG 690 RC, 2020-06

Ref	Part No	Description	Remark	QTY	KIT
1	587 45 14-01	LOCK	M6 drylock	9	
2	502 53 22-01	HOLDER		3	
3	597 16 23-01	SCREW	M12x12 12.9	3	16
4	502 53 40-02	PLATE	Head - Spring steel system	1	16
5	725 53 70-51	SCREW IHSCM	M6x20 12.9	3	16
6	593 48 72-01	RADIAL SEAL	M8X45 8.8	3	
7	504 74 96-03	LOCKWASHER		1	
8	503 20 00-45	SCREW EHHFM	M8x16 10.9	6	16
9	734 11 63-01	WASHER	8.4x16x1.6	6	16
10	502 53 40-14	SPACER	10/20x11	6	16
11	597 68 91-01	SPRING	Grinding Holder	1	16
12	734 11 72-01	WASHER	10.5x20x2	6	16
13	725 24 93-76	SCREW EHHM	M10x25 10.9	6	16
14	502 53 43-01	RING	55/108x17mm (PG820/680)	1	16
15	502 53 40-06	HUB		1	16
16	502 53 40-01	SPRING	Kit Assy	3	

Go to Discount-Equipment.com to order your parts

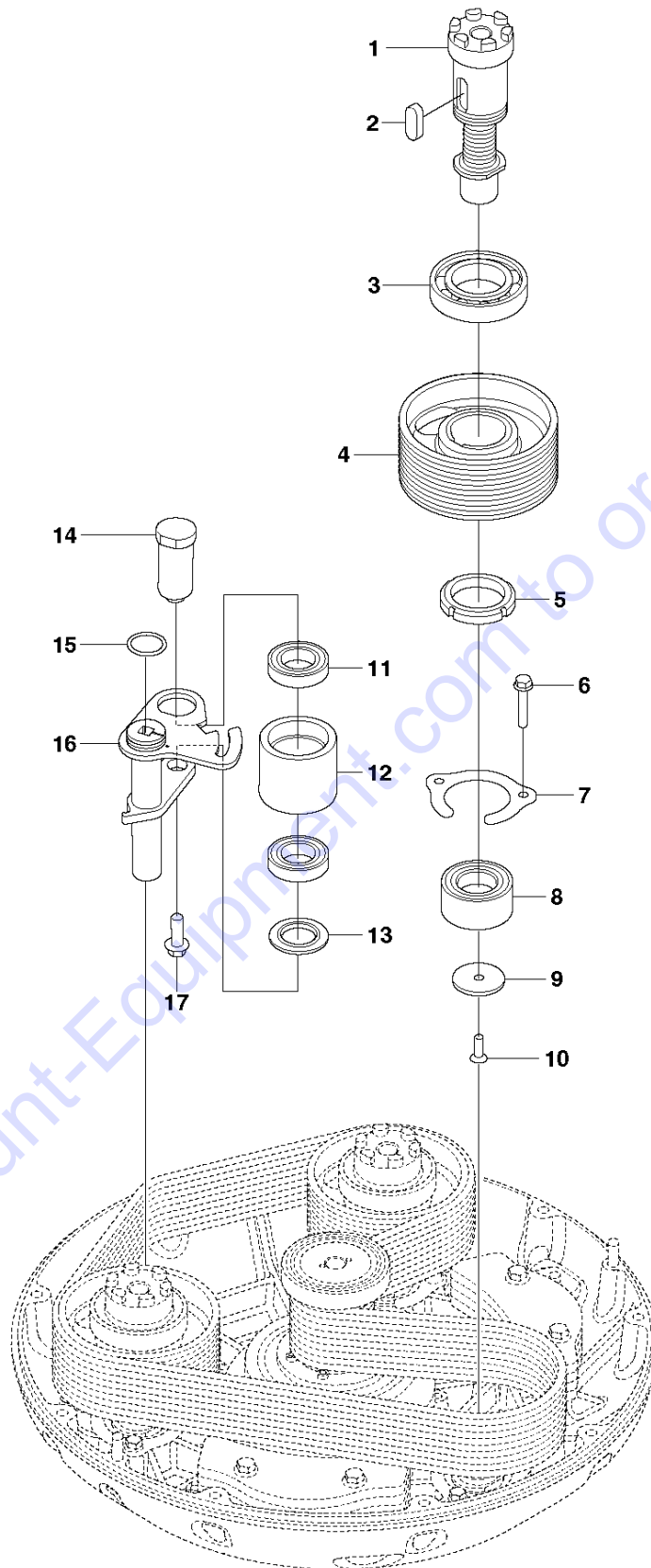
E PG 690 RC
GRINDING HEAD, INTERNAL



Ref	Part No	Description	Remark	QTY KIT
1	593 96 41-01	SCREW	M10x30	1
2	593 51 37-01	SCREW	M8x45	9
3	593 96 42-01	WASHER	10X20X1 - Copper	1
4	593 48 72-01	RADIAL SEAL	60x75x8	3
5	595 76 11-01	HOUSING	T6 Bottom	1
6	593 48 71-01	O-RING		1
7	593 53 81-01	TENSIONER	Locking plate	1
8	593 96 40-01	SCREW	M8x16	1
9	597 55 20-01	SCREW	M10x20	3
10	593 49 05-01	BELT	T6	1
11	598 47 77-01	SHAFT ASSY	Complete Idle Pulley 690	1
12	597 72 25-01	HUB ASSY	Complete Center Pulley 690	1
13	593 54 37-01	BELT TENSIONER		1
14	595 68 15-01	SCREW	M10x60	4
15	595 71 40-01	COUNTERWEIGHT	Weight T6	8
16	597 55 25-01	SCREW	M6x45	1
17	595 71 39-01	TENSIONER		1
18	593 51 41-01	PIN	10x40	2
19	595 76 11-01	HOUSING	T6 Top	1
20	593 96 41-01	SCREW	M10x30	1
21	598 74 96-01	SCREW	M8x110	8

Go to Discount-Equipment.com to order your parts

F PG 690 RC
IDLER PULLEY ASSY



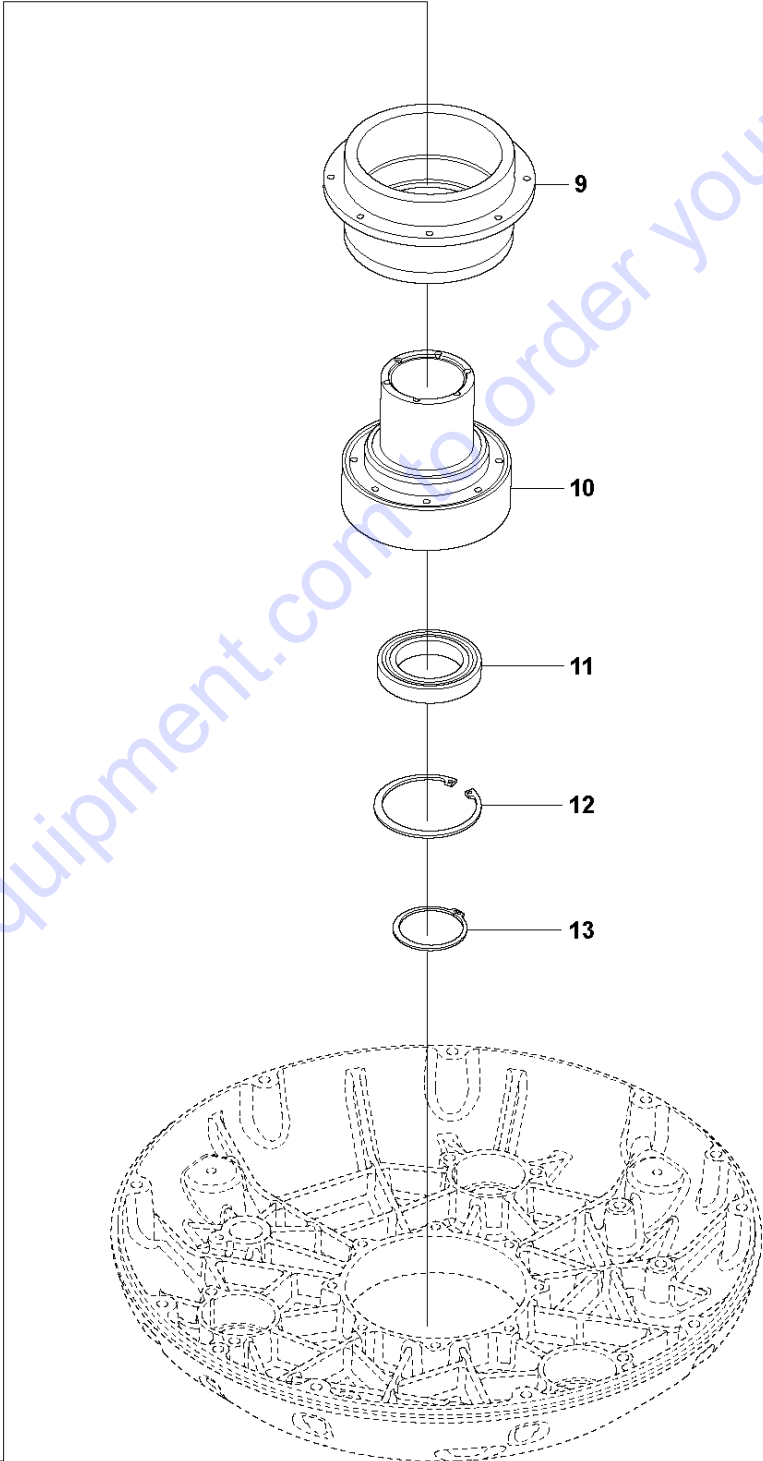
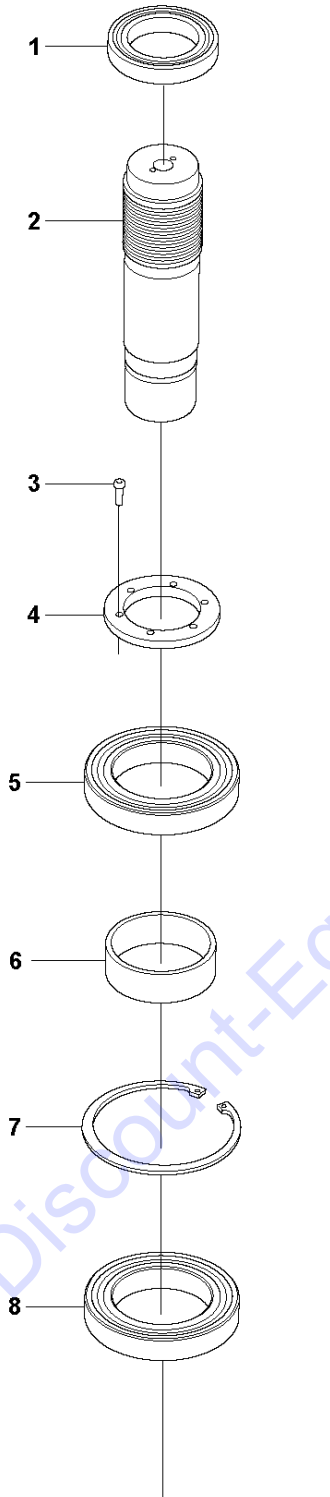
IDLER PULLEY ASSY

PG 690 RC, 2020-06

Ref	Part No	Description	Remark	QTY KIT
1	598 02 75-01	SHAFT		1
2	593 48 76-01	KEY	14x9x36	1
3	593 49 27-01	BALL BEARING	6210-2Z C3	1
4	595 75 75-01	PULLEY	Ø150 18PK	1
5	593 48 79-01	NUT		1
6	506 57 01-05	SCREW EHHFM	M8x25	6
7	595 71 00-01	WASHER	Grinding Shaft	3
8	593 48 77-01	BEARING	Hub	1
9	595 70 99-01	WASHER	Pretension washer	1
10	593 50 17-01	SCREW	M8x25	1
11	593 49 28-01	BALL BEARING	6007-2Z C3	4
12	595 70 98-01	PULLEY	Idler Ø80	2
13	595 75 73-01	SPACER		1
14	595 76 14-01	AXLE		1
15	593 48 78-01	O-RING	34.2x3	1
16	595 76 06-01	TENSIONER	Belt Tensioner	1
17	595 68 01-01	SCREW	M12x35	1

Go to Discount-Equipment.com to order your parts

G PG 690 RC
CENTRAL HUB ASSY

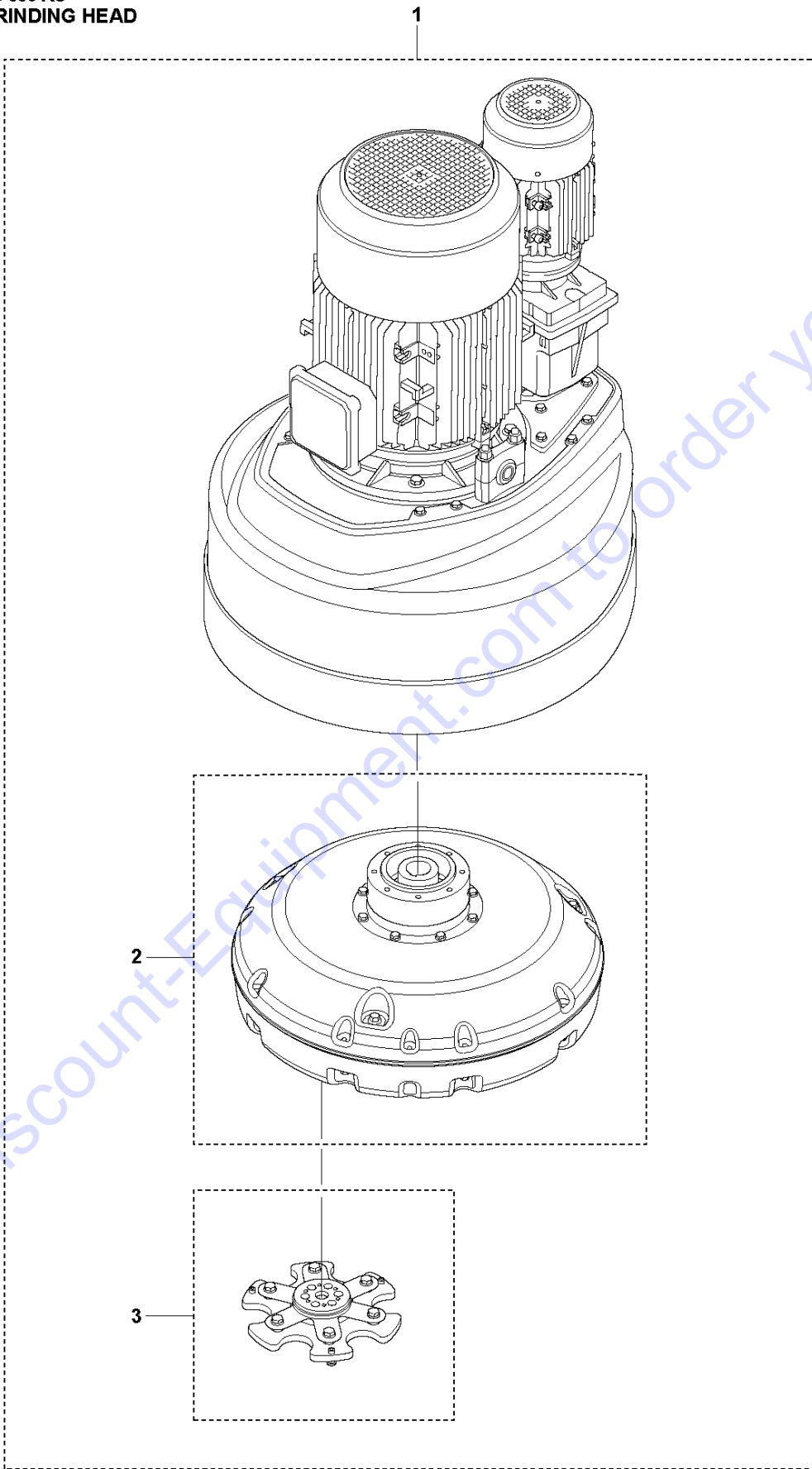


Go to Discount-Equipment.com to order your parts

Ref	Part No	Description	Remark	QTY KIT
1	593 49 26-01	BALL BEARING	6013-2Z C3	2
2	595 74 40-01	ADAPTER	SPECIAL CENTER Ø75	1
3	593 51 42-01	SCREW	M6x20	6
4	597 72 21-01	RETAINER		1
5	593 62 99-01	BALL BEARING	6018-2RS1	2
6	595 71 31-01	SPACER		1
7	595 67 98-01	CIRCLIP	140x4, internal	1
8	593 62 99-01	BALL BEARING	6018-2RS1	2
9	595 71 30-01	HUB	Hub outer	1
10	593 54 29-01	HUB	Center	1
11	593 49 26-01	BALL BEARING	6013-2Z C3	2
12	593 50 30-01	CIRCLIP	100x3, internal	1
13	593 50 29-01	CIRCLIP	65x2.5, external	1

Go to Discount-Equipment.com to order your parts

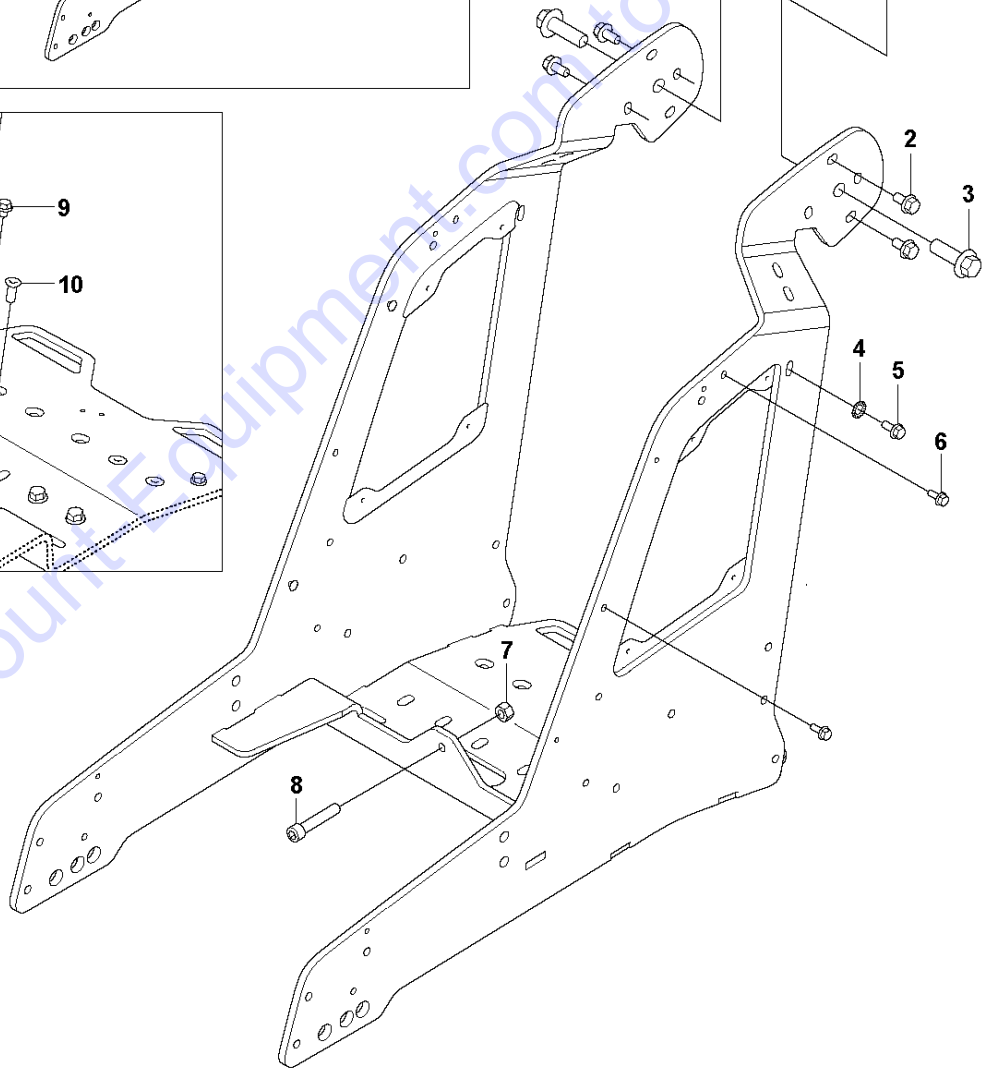
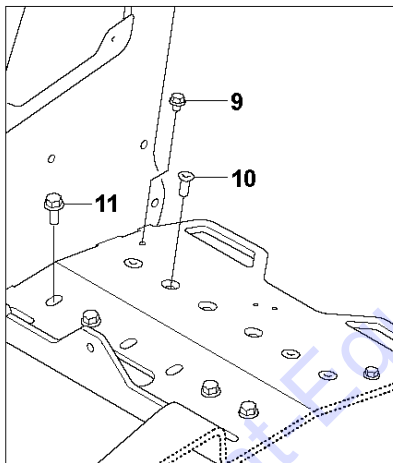
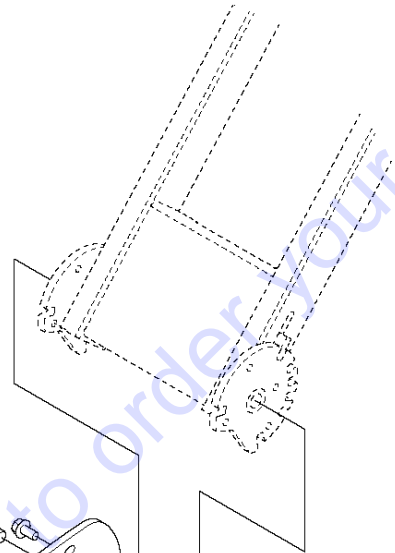
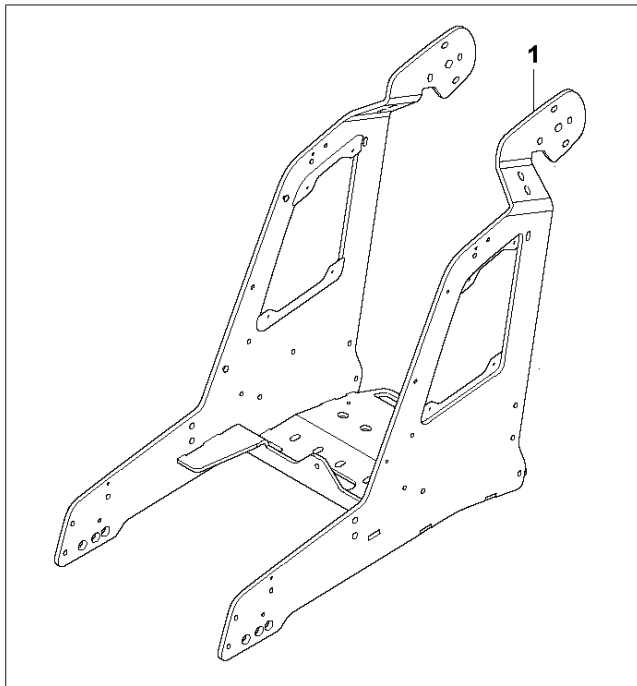
H PG 690 RC
GRINDING HEAD



Ref	Part No	Description	Remark	QTY KIT	
1	597 74 24-01	GRINDING HEAD	incl Motor, Shroud & Tool Holders	1	
2	597 77 00-01	GRINDING HEAD	excl Motor and Dual Drive	1	1
3	502 53 40-01	SPRING	CPL Tool Holder, Head Locks	3	1

Go to Discount-Equipment.com to order your parts

J PG 690 RC
CHASSIS



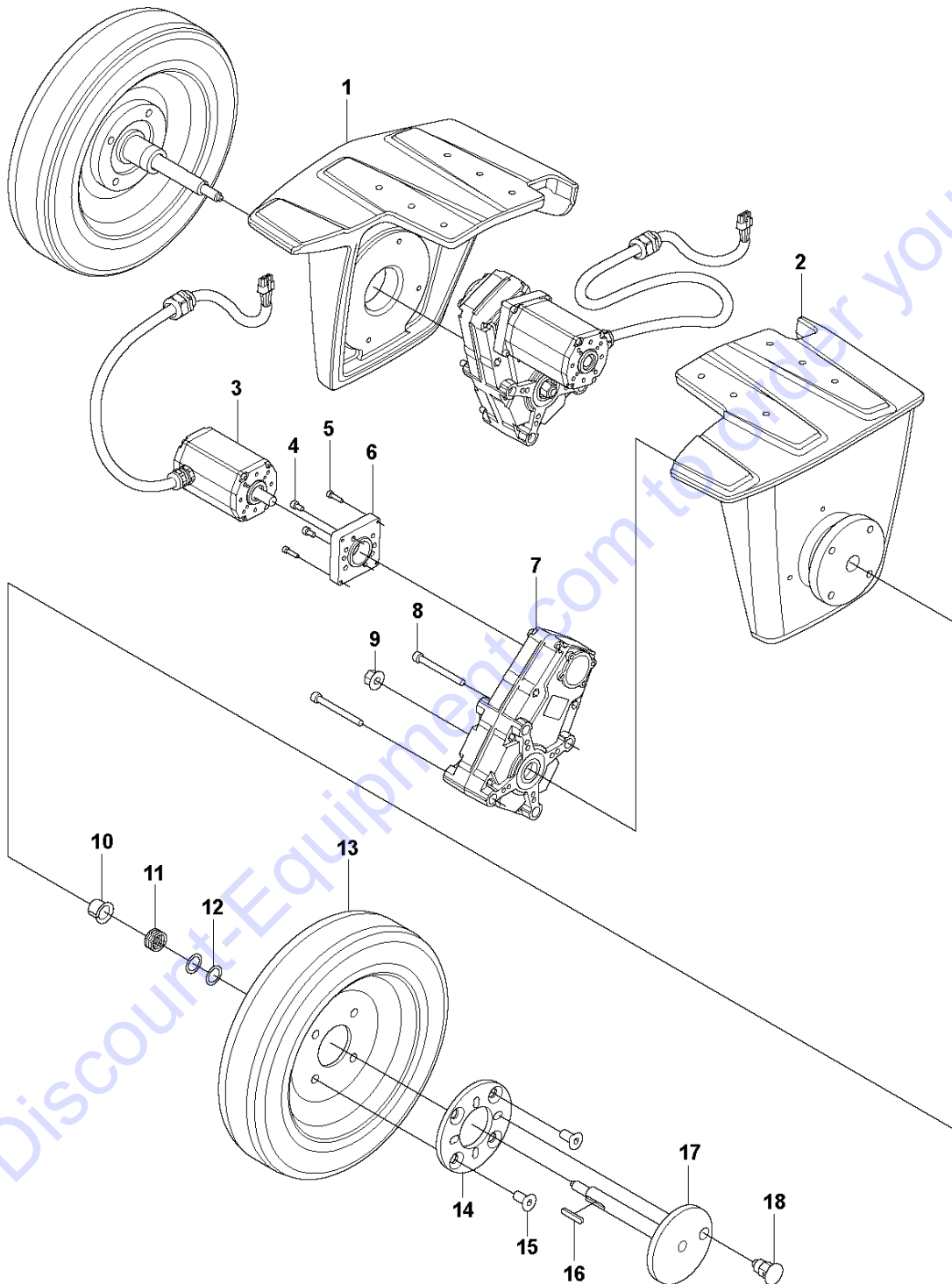
CHASSIS

PG 690 RC, 2020-06

Ref	Part No	Description	Remark	QTY KIT
1	596 61 20-01	FRAME ASSY	Weld Assy	1
2	593 51 48-01	SCREW	M10x20	8
3	582 64 48-01	BOLT	M16x50	2
4	735 21 64-01	LOCKWASHER	8.4x15	4
5	506 57 01-04	SCREW EHHFM	M8x20	2
6	585 98 06-01	SCREW EHHFM	M6x16	6
7	731 23 22-01	HEXAGON NUT	M12	1
8	725 25 38-71	SCREW EHHM	M12x35	1
9	597 72 09-01	SCREW	M8x10	2
10	593 50 24-01	SCREW	M10X30 10.9 DRI-LOC	4
11	585 97 31-01	SCREW EHHFM	M10x25	4

Go to Discount-Equipment.com to order your parts

K PG 690 RC
DRIVE WHEEL ASSY



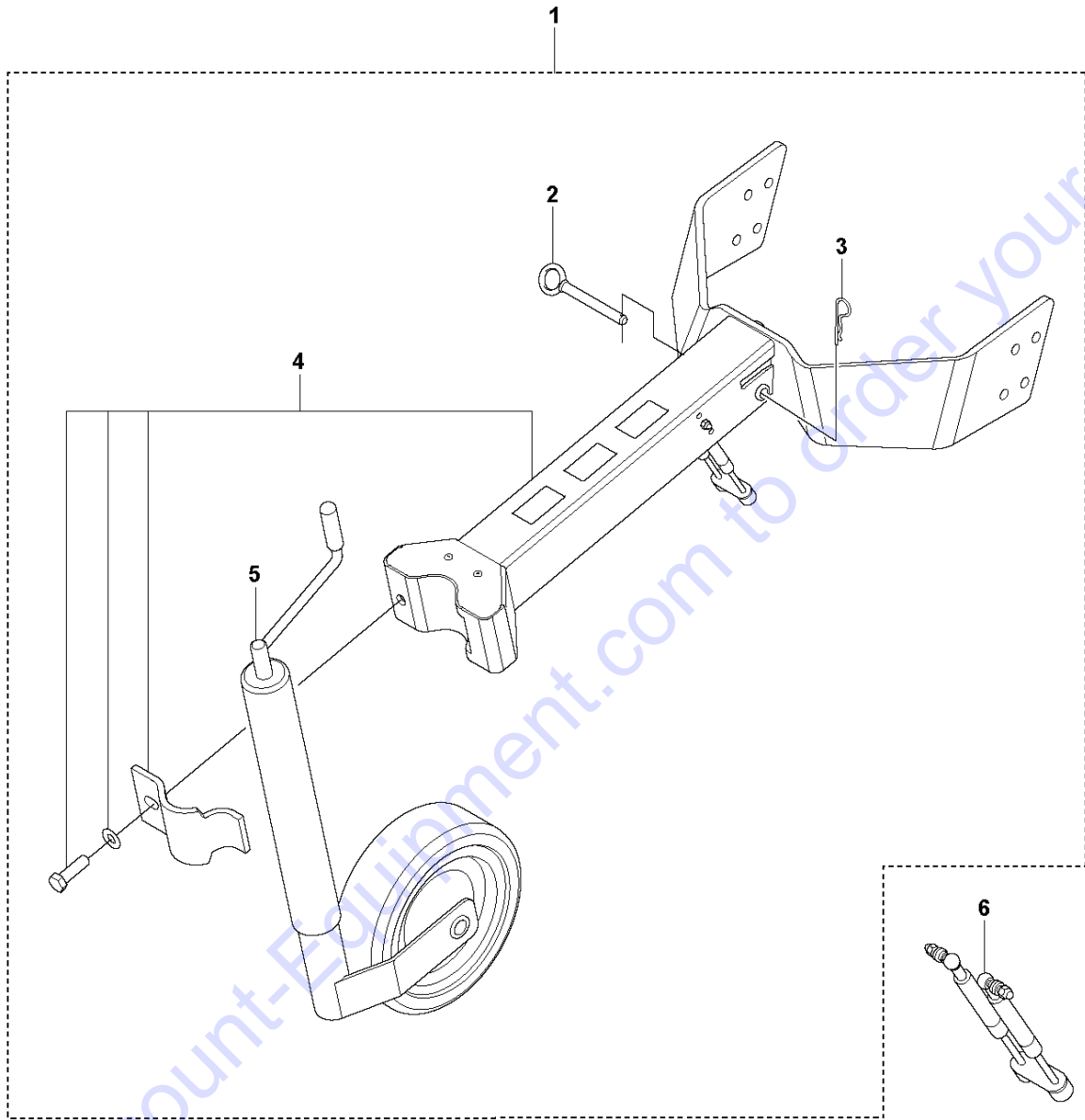
DRIVE WHEEL ASSY

PG 690 RC, 2020-06

Ref	Part No	Description	Remark	QTY KIT
1	597 80 19-01	HUB ASSY	RH	1
2	597 80 20-01	HUB ASSY	LH	1
3	597 61 24-01	DRIVE MOTOR	LH/RH	2
4	593 50 07-01	SCREW	M6X16	8
5	599 23 05-01	SCREW	M5x18 - DRI LOC	8
6	593 54 03-01	ADAPTER		2
7	597 61 26-01	GEARBOX	LH/RH	2
8	725 54 67-01	SCREW IHSCM	M8x80	8
9	576 64 57-06	NUT FLANGE	M12	2
10	593 49 39-01	BUSHING	Bronze	2
11	593 49 08-01	SPRING		2
12	593 51 44-01	RING	20x28x0.3	4
13	593 48 93-01	WHEEL	690 RC	2
14	593 54 57-01	SPACER		2
15	595 68 04-01	SCREW	M12x25	8
16	593 49 07-01	KEY	6x6x36	1
17	593 54 56-01	DRIVE SHAFT ASSY	Assy	2
18	593 54 58-01	PISTON		2

Go to Discount-Equipment.com to order your parts

L PG 690 RC
SUPPORT WHEEL



SUPPORT WHEEL

PG 690 RC, 2020-06

Ref	Part No	Description	Remark	QTY	KIT
1	598 41 87-01	SUPPORT WHEEL		1	
2	598 41 93-01	AXLE		1	1
3	721 68 02-51	SPRING COTTER		1	1
4	598 76 59-01	SUPPORT WHEEL	Arm, Holder and Gas Spring Kit	1	1
5	593 47 00-01	SUPPORT WHEEL		1	1
6	598 76 53-01	GAS SPRING	Kit	1	

Go to Discount-Equipment.com to order your parts

PARTS FINDER

**Search Website
by Part Number**



**Search Manual
Library For Parts
Manual & Lookup Part
Numbers – Purchase
or Request Quote**

Search Manuals

Enter your information to help us find the right parts manual for your machine.

* Brand:

* Model:

* Serial:

* Part Number:

SEARCH

**Can't Find Part or
Manual? Request Help
by Manufacturer,
Model & Description**

Parts Order Form

Please fill in the following information to help us find the right part for your machine.

Manufacturer:	<input type="text"/>
Model:	<input type="text"/>
Description:	<input type="text"/>
Part Number:	<input type="text"/>
Quantity:	<input type="text"/>
Notes:	<input type="text"/>

Submit

Discount-Equipment.com is your online resource for quality parts & equipment.

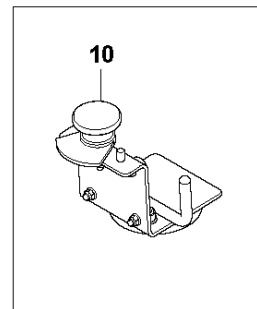
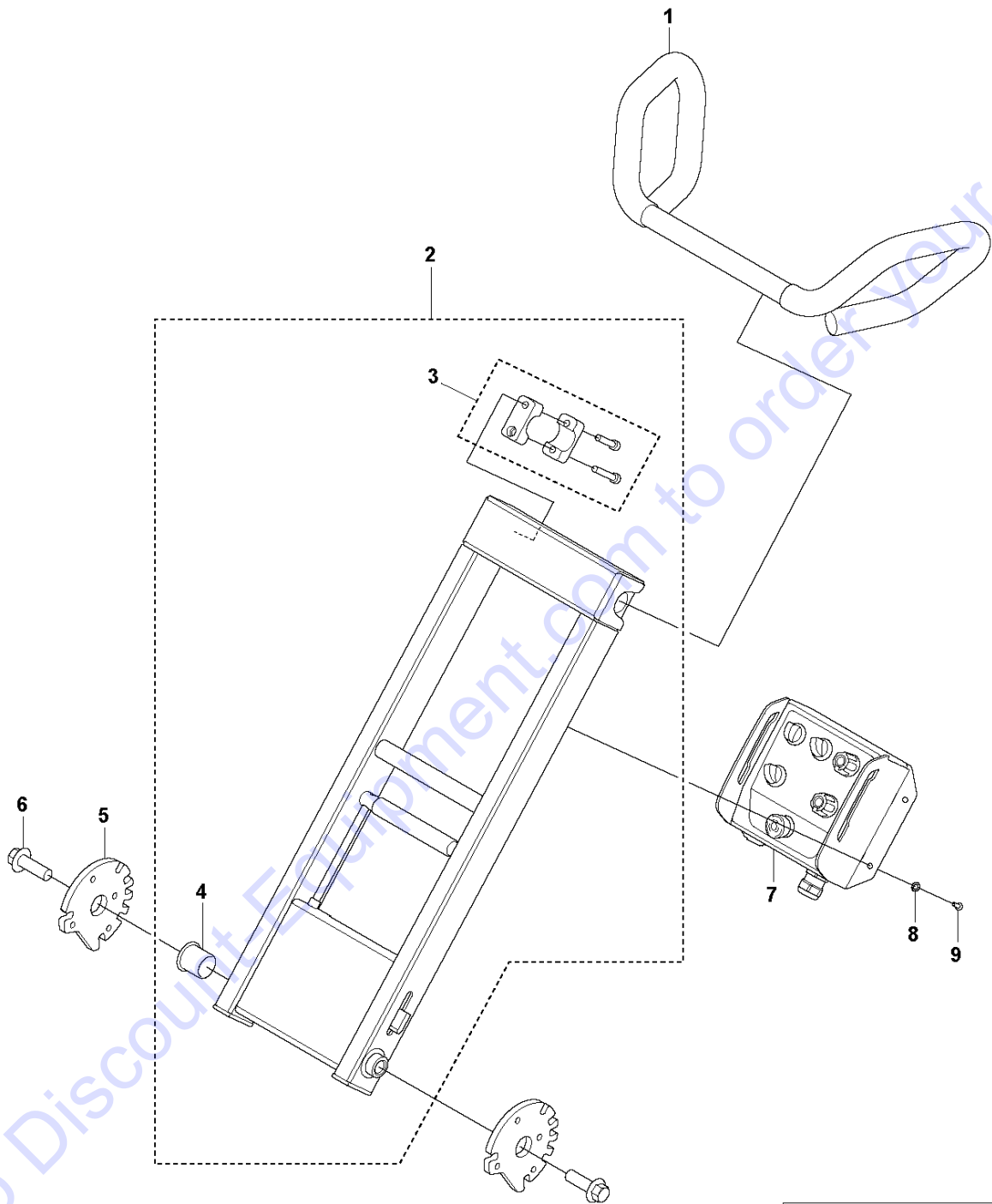
Florida: **561-964-4949** Outside Florida TOLL FREE: **877-690-3101**

Need parts?

Click on this link: <http://www.discount-equipment.com/category/5443-parts/> and choose one of the options to help get the right parts and equipment you are looking for. Please have the machine model and serial number available in order to help us get you the correct parts. If you don't find the part on the website or on one of the online manuals, please fill out the request form and one of our experienced staff members will get back to you with a quote for the right part that your machine needs.

We sell worldwide for the brands: Genie, Terex, JLG, MultiQuip, Mikasa, Essick, Whiteman, Mayco, Toro Stone, Diamond Products, Generac Magnum, Airman, Haulotte, Barreto, Power Blanket, Nifty Lift, Atlas Copco, Chicago Pneumatic, Allmand, Miller Curber, Skyjack, Lull, Skytrak, Tsurumi, Husquvarna Target, Stow, Wacker, Sakai, Mi-T-M, Sullair, Basic, Dynapac, MBW, Weber, Bartell, Bennar Newman, Haulotte, Ditch Runner, Menegotti, Morrison, Contec, Buddy, Crown, Edco, Wyco, Bomag, Laymor, EZ Trench, Bil-Jax, F.S. Curtis, Gehl Pavers, Heli, Honda, ICS/PowerGrit, IHI, Partner, Imer, Clipper, MMD, Koshin, Rice, CH&E, General Equipment, Amida, Coleman, NAC, Gradall, Square Shooter, Kent, Stanley, Tamco, Toku, Hatz, Kohler, Robin, Wisconsin, Northrock, Oztec, Toker TK, Rol-Air, APT, Wylie, Ingersoll Rand / Doosan, Innovatech, Con X, Ammann, Mecalac, Makinex, Smith Surface Prep, Small Line, Wanco, Yanmar

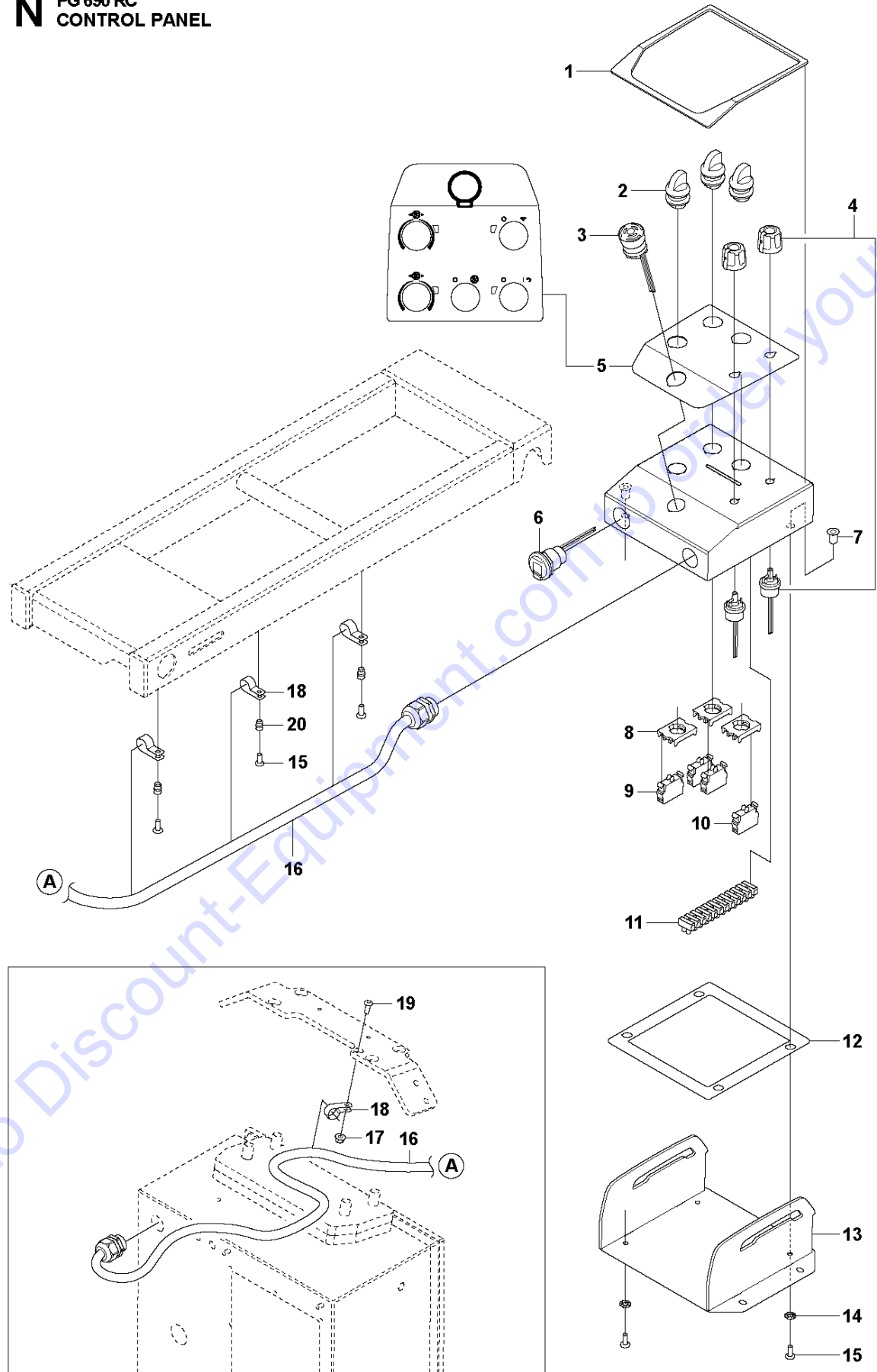
M PG 690 RC
FRAME, UPPER



Ref	Part No	Description	Remark	QTY	KIT
1	597 18 39-01	HANDLE		1	
2	597 80 35-01	HANDLEBAR ASSY	Pre-assembled arm	1	
3	599 65 64-01	CLAMP		2	2
4	597 79 70-01	BUSHING		2	2
5	596 61 24-01	LOCKING PLATE		2	
6	582 64 48-01	BOLT	M16x50	2	
7	599 77 21-01	CONTROL PANEL	HMI Assy 690/830 DD	1	
8	735 21 53-01	LOCKWASHER	6.4x11	4	
9	531 11 94-26	SCREW	M6x16	4	
10	598 94 95-01	HOLDER KIT	Magnetic	1	

Go to Discount-Equipment.com to order your parts

N PG 690 RC
CONTROL PANEL

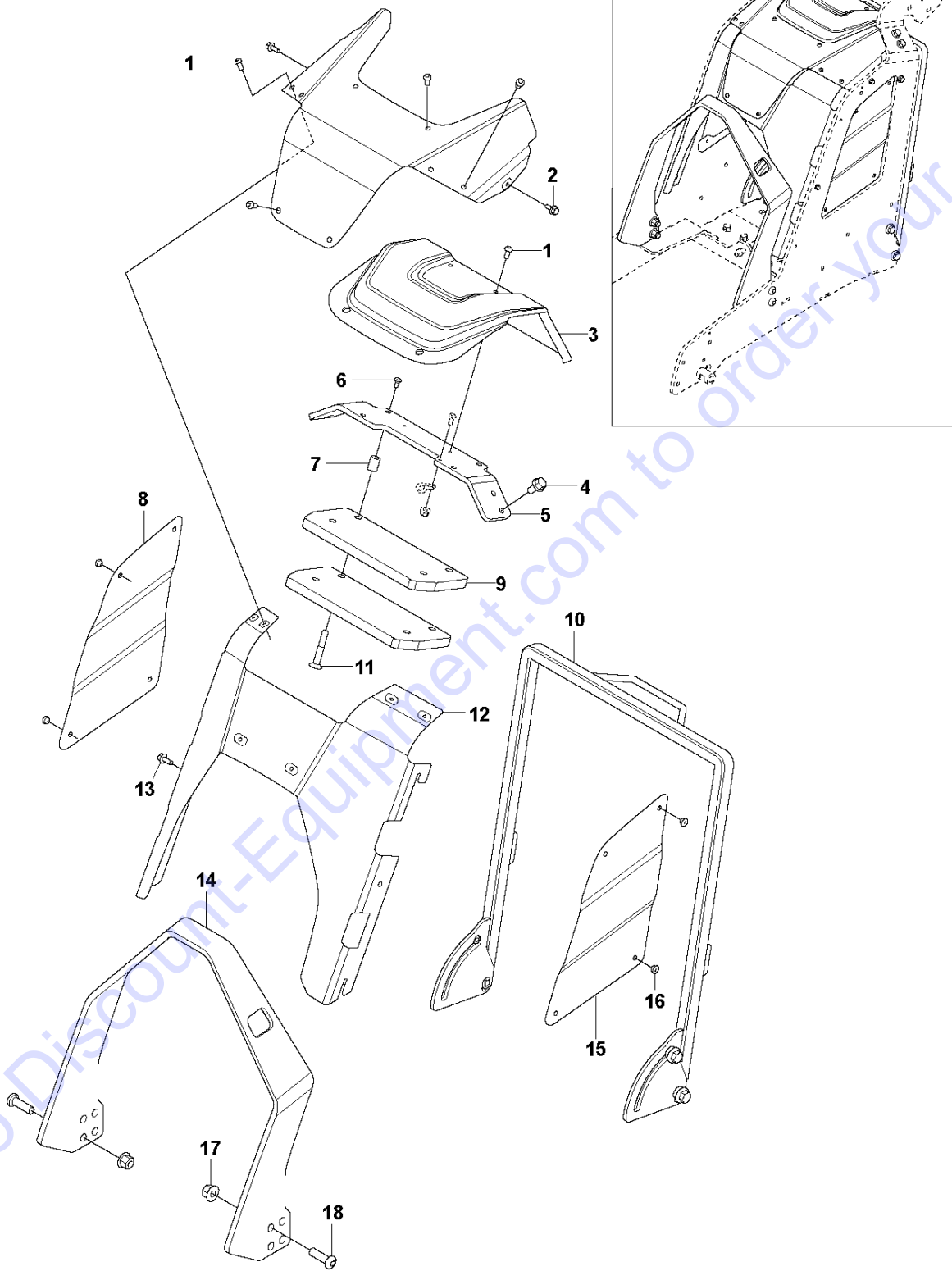


Go to Discount-Equipment.com to buy your parts

Ref	Part No	Description	Remark	QTY KIT
1	597 65 41-01	PLATE		1
2	598 53 98-01	SWITCH		3
3	598 54 15-01	SWITCH		1
4	587 28 36-01	SWITCH		2
5	598 55 59-01	STICKER	HMI Decal	1
6	598 55 60-01	CONTACT		1
7	591 95 78-01	RIVET	M5 Rivet Nut	4
8	598 53 95-01	SWITCH		3
9	598 55 70-01	CONTACT	EATON M22-K01/216378	2
10	598 54 00-01	CONTACT	EATON M22-K10/216376	2
11	598 55 71-01	TERMINAL BLOCK	Terminal block, 4mm ²	1
12	598 42 96-01	GASKET	Gasket, HMI	1
13	597 64 61-01	BRACKET	Holder, HMI	1
14	735 21 46-01	LOCKWASHER	5.3x10	4
15	593 50 91-01	SCREW	M5x12	7
16	598 53 91-01	FITTING	M25 Ø8-17 BLACK	1
17	576 64 57-03	NUT FLANGE	M6 Nylon lock	1
18	589 66 91-01	CLIP	Cable clip	4
19	522 66 90-01	SCREW IHSCFM	M6x20	1
20	597 97 82-01	RIVET	M5 Rivet Nut	3

Go to Discount-Equipment.com to order your parts

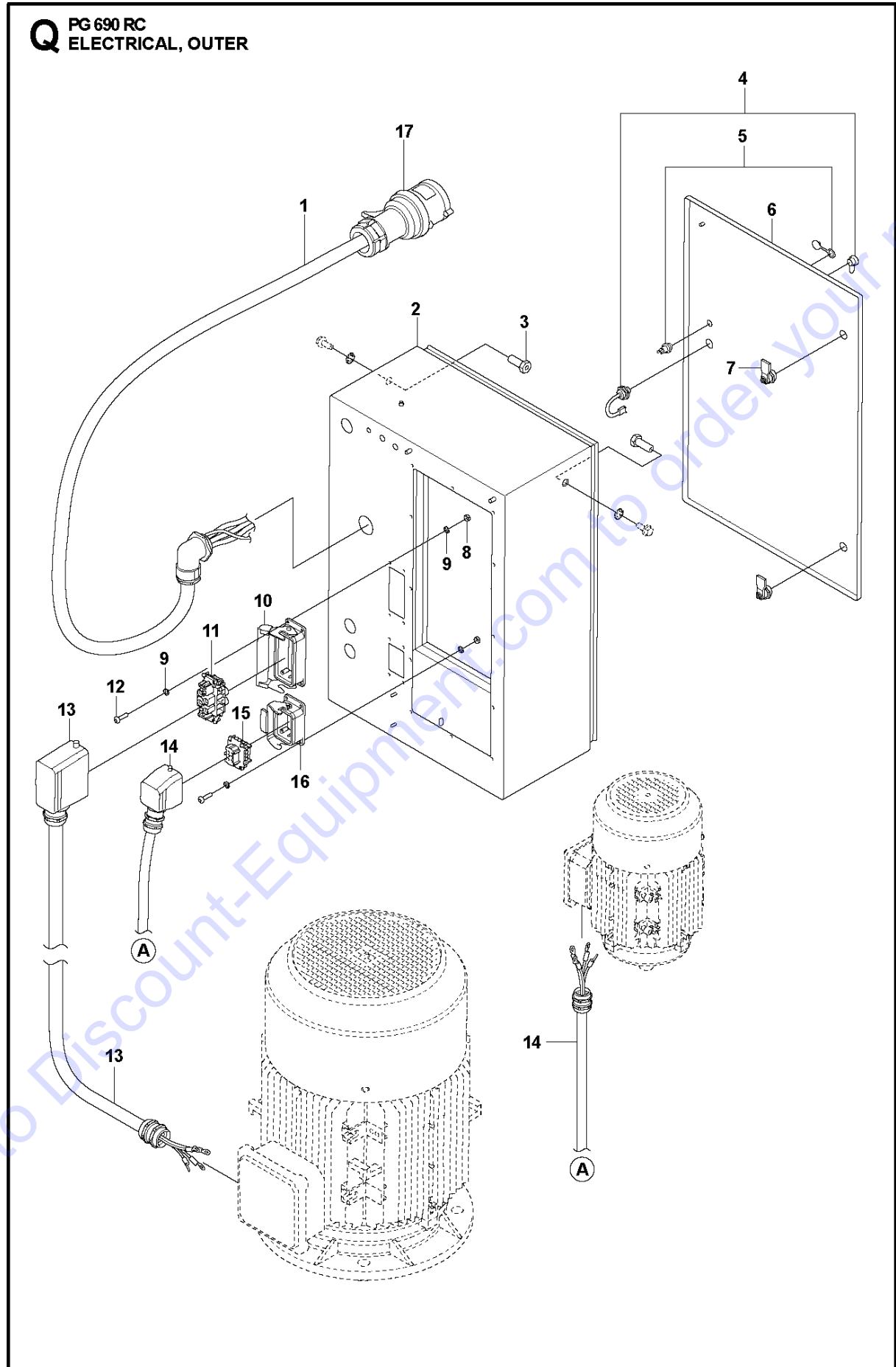
P PG 690 RC
FRAME, LOWER



Go to Discount-Equipment.com to order your parts

Ref	Part No	Description	Remark	QTY KIT
1	531 11 94-26	SCREW	M6x16 Torx	10
2	585 98 06-01	SCREW EHHFM	M6x16 Flange	2
3	598 48 91-01	COVER		1
4	593 51 48-01	SCREW	M10x20	4
5	596 61 39-01	FRAME BRACKET		1
6	598 92 13-01	SCREW	M8x16	4
7	598 48 01-01	DISTANCE	20x15x12	4
8	597 24 97-01	COVER	Right	1
9	596 61 41-01	COUNTERWEIGHT		2
10	598 45 79-01	BAR	Assy	1
11	598 92 12-01	SCREW	M8x35	4
12	597 94 67-01	FRONT COVER		1
13	585 98 06-01	SCREW EHHFM	M6x16 Flange	4
14	597 39 89-01	LIFTING ARM		1
15	597 24 97-02	COVER	Left	1
16	593 50 08-01	RIVET	Blind rivet 4,8x12	8
17	576 64 57-06	NUT FLANGE	M12 Nylon Lock Nut	4
18	598 74 93-01	SCREW	M12x40 10.9	4

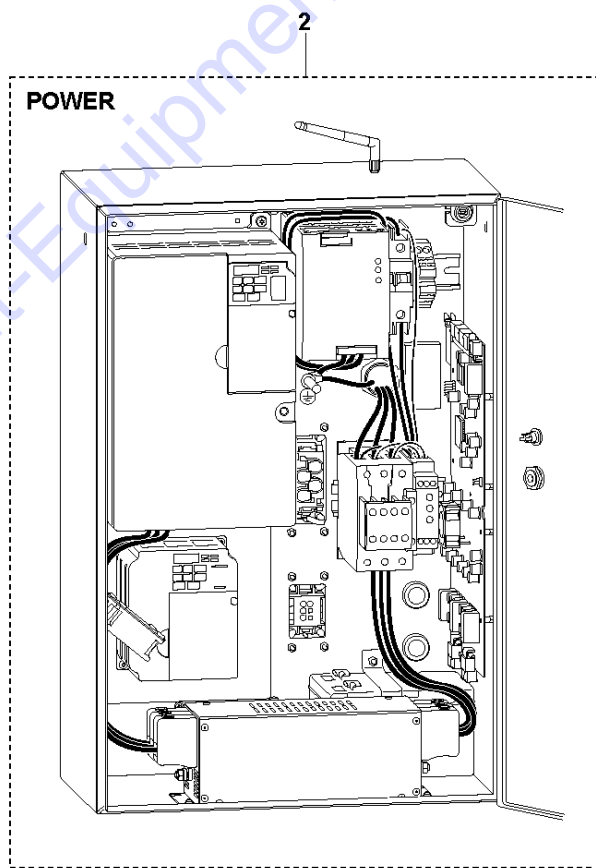
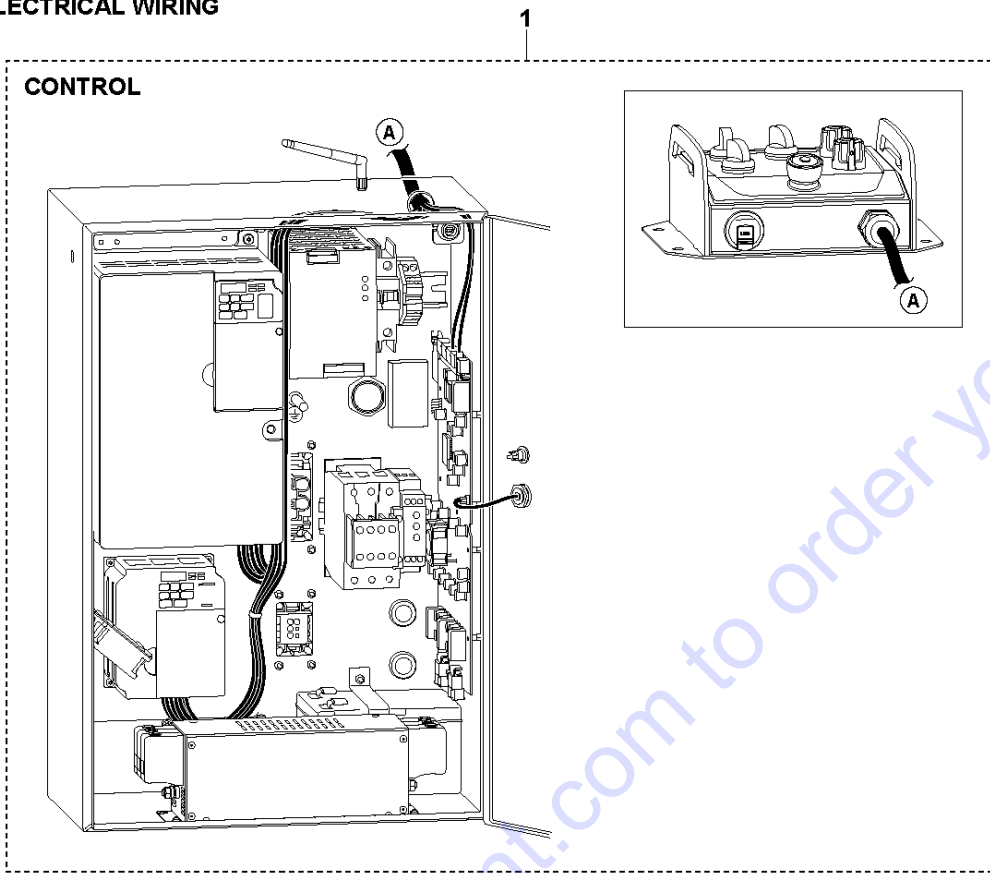
Go to Discount-Equipment.com to order your parts



Ref	Part No	Description	Remark	QTY KIT
1	597 63 31-01	CABLE		1
2	597 61 43-01	ELECTRONIC BOX		1
3	595 72 13-01	SCREW	M12 Outer, M8 Inner	2
4	585 47 86-01	RUBBER PLUG	CAN Connector	1
4	576 87 78-03	CONTACT	Can Connector Assy 4-pole	1
5	598 52 67-01	CONTACT		1
5	598 52 68-01	CAP	DC Protection Cap	1
6	599 66 92-01	DOOR	Door incl. Locks and hinges	1
7	599 66 96-01	LOCK ASSY		2
8	731 23 12-01	HEXAGON NUT	M4	8
9	735 21 36-01	LOCKWASHER	4.3x8	16
10	598 51 91-01	BRACKET	Housing 11Kw	1
11	598 51 92-01	RECEPTACLE	Insert 11Kw	1
12	544 29 13-03	SCREW ITXPANM	M4x16	8
13	597 60 73-01	CABLE ASSY	Assy 11 Kw	1
14	597 60 75-01	CABLE ASSY	Assy 1.5 Kw	1
15	598 51 95-01	RECEPTACLE	Insert 1.5Kw	1
16	598 51 93-01	RECEPTACLE	Housing 1.5Kw	1
17	593 58 48-01	PLUG	3x380-415V 32A EU	1
17	502 54 40-01	PLUG	3x380-415V 32A AUS	1
17	593 58 44-01	PLUG	3x440-480V 30A US	1
17	597 52 84-01	PLUG	3x220-240V 50A US	1

Go to Discount-Equipment.com to order your parts

R PG 690 RC
ELECTRICAL WIRING

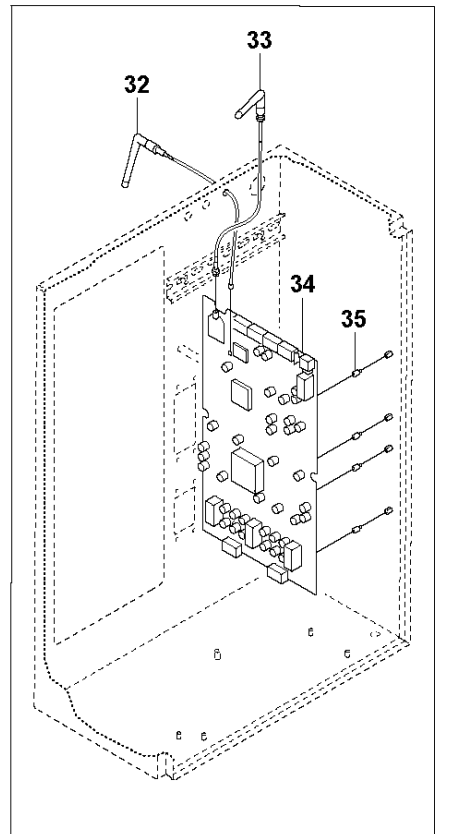
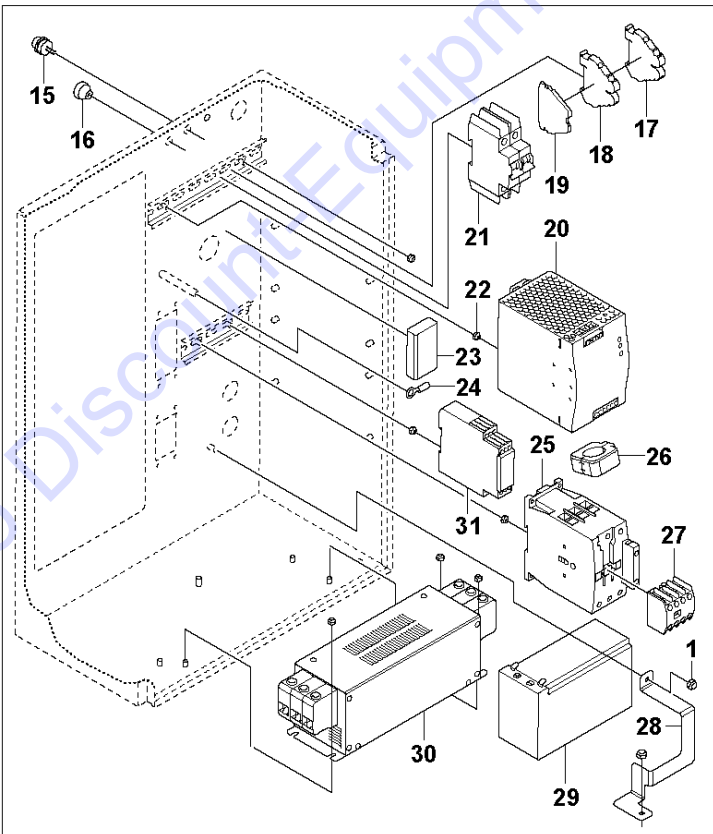
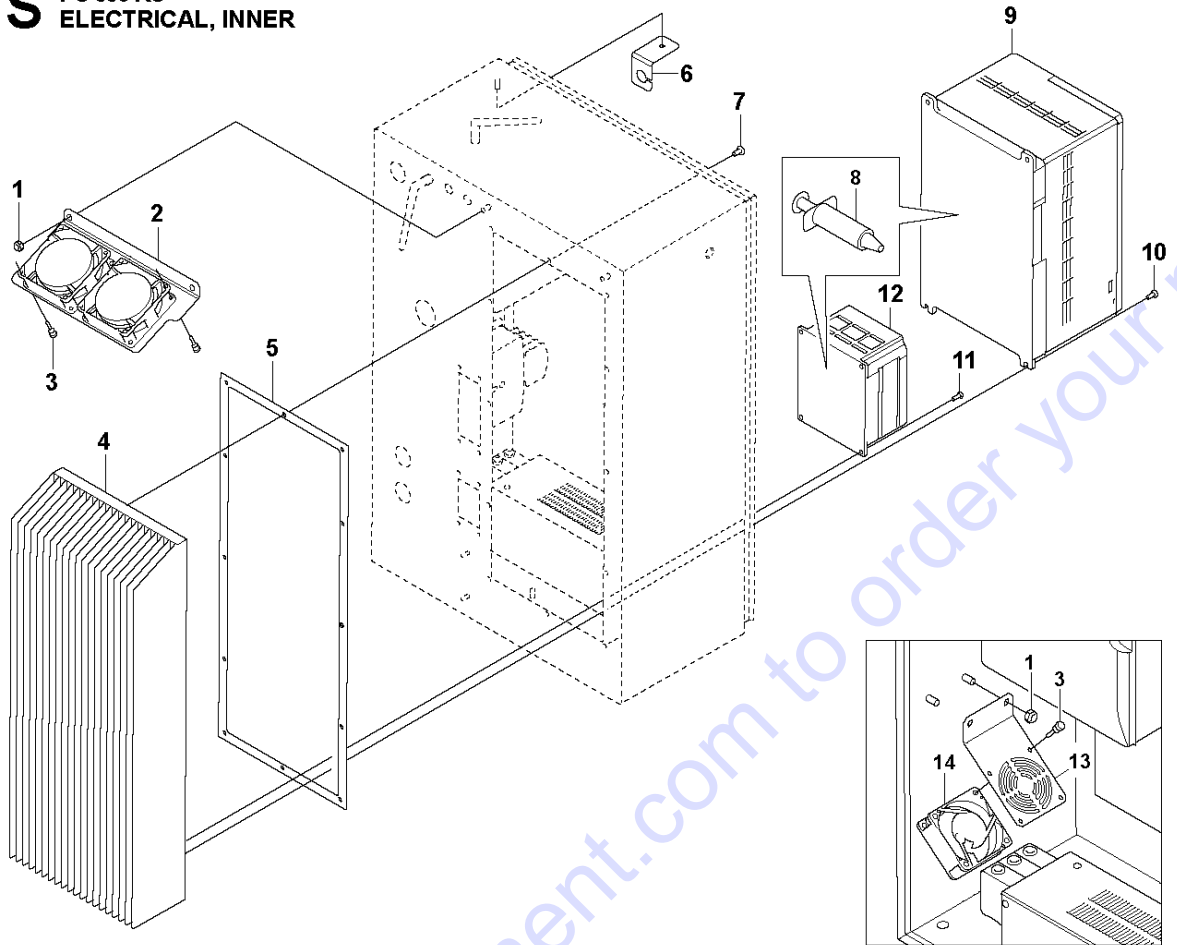


Go to Discount-Equipment.com to order your parts

Ref	Part No	Description	Remark	QTY KIT
1	599 77 15-01	CABLE KIT		1
2	599 77 11-01	CABLE KIT		1

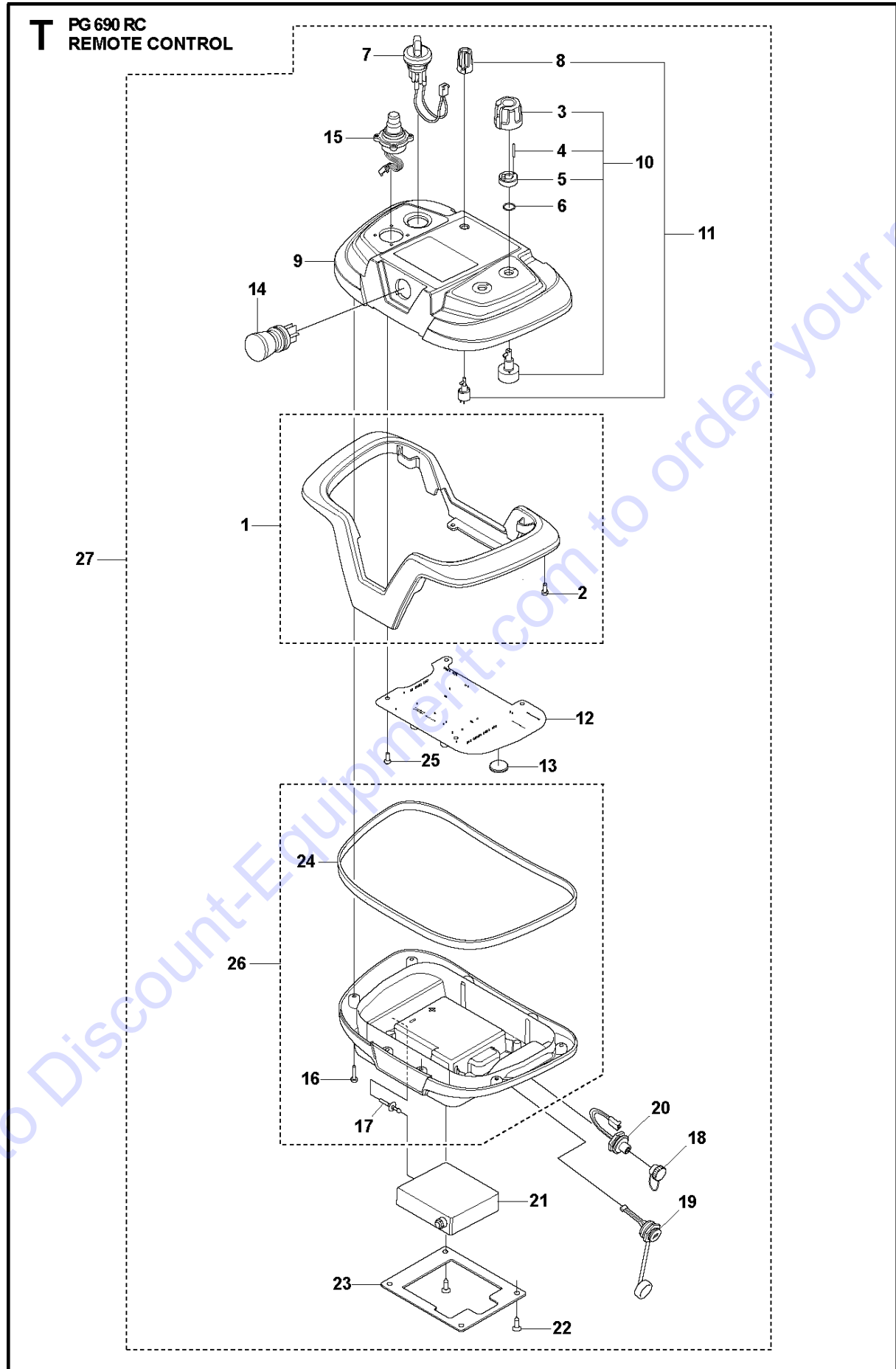
Go to Discount-Equipment.com to order your parts

S PG 690 RC
ELECTRICAL, INNER



Ref	Part No	Description	Remark	QTY KIT
1	732 21 16-01	LOCK NUT	M6 Locknut	8
2	593 54 94-01	FAN	24VDC - Heatsink	1
3	595 74 43-01	FAN		8
4	597 63 36-01	HEAT SINK		1
5	597 63 33-01	GASKET		1
6	598 53 08-01	BRACKET		1
7	595 68 22-01	SCREW	M5x10	12
8	597 25 59-01	HEAT SINK		1
9	597 75 39-01	DRIVER	3x400V 11kW	1
9	593 55 98-01	FREQUENCY INVERTER	3x200V 11kW	1
10	593 50 89-01	SCREW	M4x10 (inverter 11kW)	4
11	595 68 21-01	SCREW	M5x12 -(inverter 1.5kW)	4
12	597 75 41-01	DRIVER	3x400V 1.5kW	1
12	597 75 40-01	DRIVER	3x200V 1.5kW	1
13	595 71 08-01	MOUNT	Fan internal Cabinet	1
14	595 74 44-01	FAN	24VDC Internal Cabinet	1
15	598 83 65-01	CONNECTOR	Light contact female	1
16	598 51 88-01	SEAL	T-VET	1
17	598 51 97-01	TERMINAL	Phoenix contact 3270220	1
18	598 51 98-01	TERMINAL	Phoenix contact 3270158	1
19	598 51 99-01	TERMINAL	Phoenix contact 3270152	1
20	593 56 02-01	POWER UNIT	24VDC - 480W	1
21	593 56 01-01	CIRCUIT BREAKER	2-P 5A	1
22	732 21 14-01	LOCK NUT	M5	7
23	598 48 29-01	BATTERY BOX	BLEM	1
24	598 68 94-01	RING	Ring terminal M8	1
25	593 55 94-01	CONTACTOR	380-480V	1
25	593 55 92-01	CONTACTOR	200-240V	1
26	598 85 63-01	FERRITE CORE		1
27	598 52 62-01	CONTACT	DILM17 & DILM32	1
28	598 53 07-01	BRACKET	Bracket for Li-ion battery	1
29	597 96 84-01	BATTERY	Li-ion battery	1
30	593 55 99-01	FILTER	3x200-520V - 30A	1
30	593 56 00-01	FILTER	3x200V - 50A	1
31	598 52 63-01	SENSOR	Phase/Voltage Monitor 380-480V	1
31	598 53 88-01	SENSOR	Phase/Voltage Monitor 200-240V	1
32	598 47 03-01	ANTENNA	Antenna GCU. MaxStream A24-HASM-450-ND	1
33	598 47 03-01	ANTENNA	Antenna BLEM. MaxStream A24-HASM- 450-ND	1
34	598 47 16-01	CONTROL BOARD	GCU/Control Board with BLEM	1
35	598 48 28-01	SPACER	GCU Anti-Vibration Screws	8

T PG 690 RC
REMOTE CONTROL



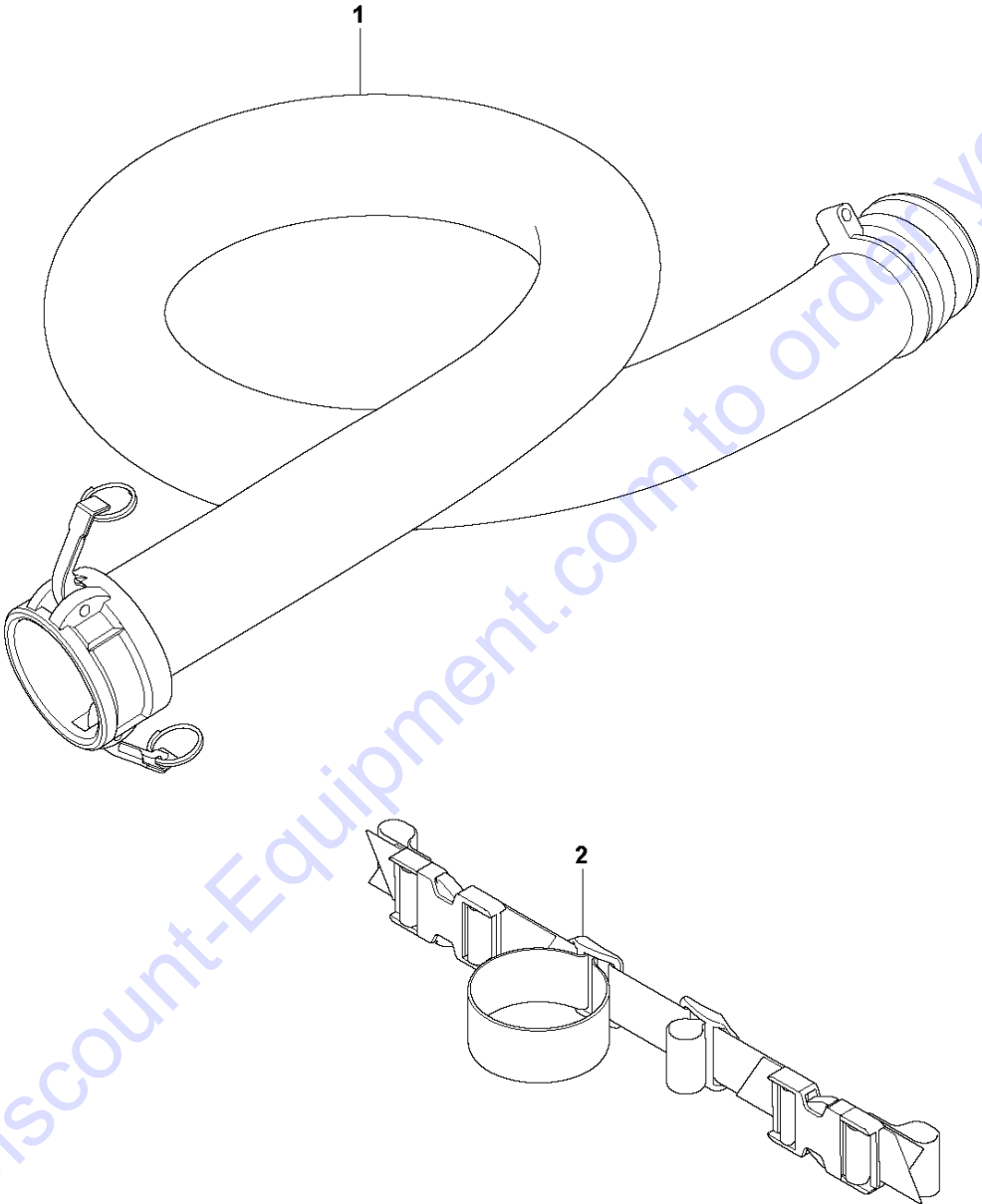
REMOTE CONTROL

PG 690 RC, 2020-06

Ref	Part No	Description	Remark	QTY	KIT
1	576 25 34-01	HANDLE ASSY	Handle assy	1	27
2	578 77 61-01	SCREW ITPANT	3.5x10	4	27, 1
3	576 25 94-01	TURNING KNOB ASSY		2	27, 10
4	720 11 90-00	PARALLEL PIN	2x16	2	27, 10
5	576 26 14-01	NUT		2	27, 10
6	576 26 16-01	O-RING	11.0x1.0	2	27
7	587 12 92-01	KNOB	Assy w cable and contact	1	27
8	577 73 55-01	KNOB	Speed control	1	27, 11
9	587 07 29-01	DISPLAY	with display, keyboard & decals	1	27
10	576 80 93-01	POTENTIOMETER	Grinding motors, assy	2	27
11	576 81 49-01	POTENTIOMETER	Speed control	1	27
12	597 45 01-01	PRINTED CIRCUIT ASSY	PG RC EMC	1	27
13	000 00 00-00	W/O DESCRIPTION	3V CR2032	1	27
14	576 81 51-01	SWITCH		1	27
15	587 01 16-01	JOYSTICK		1	27
16	578 77 61-02	SCREW ITPANT	3.5x16	8	27, 26
17	577 71 10-01	SPRING PIN	With washer	2	27, 26
18	585 47 86-01	RUBBER PLUG		1	27
19	586 14 66-02	CONTACT	Mini USB, Type B, incl cable	1	27
20	576 87 78-02	CONTACT	CAN contact assy 4 pol	1	27
21	587 31 16-02	BATTERY	Main battery	1	27
22	523 00 52-01	SCREW CRCSFT	4x12	4	27
23	510 10 85-01	PLATE	BATTERY RRC UNIT	1	27
24	576 88 80-02	SEALING STRIP		1	27, 26
25	729 52 55-75	SCREW CRPANT	K35x10	4	27
26	586 18 04-01	COVER	Cover bottom inc seal & pins	1	27
27	576 25 92-01	REMOTE CONTROL	CPL Unit	1	

Go to Discount-Equipment.com to order your parts

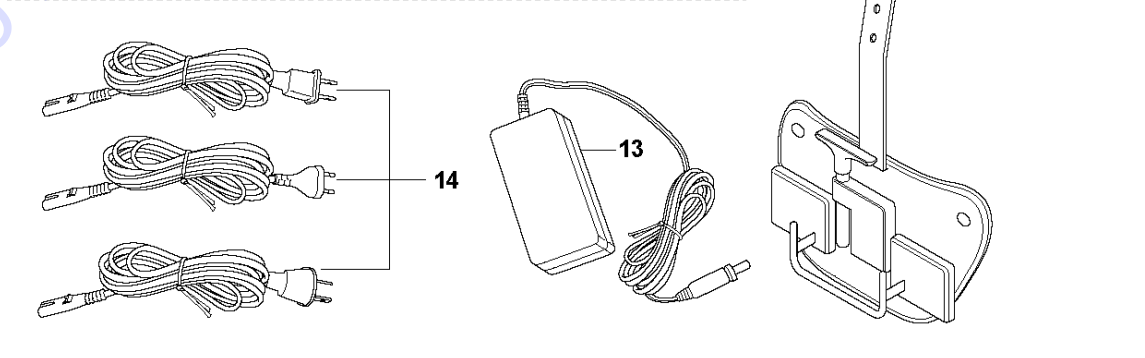
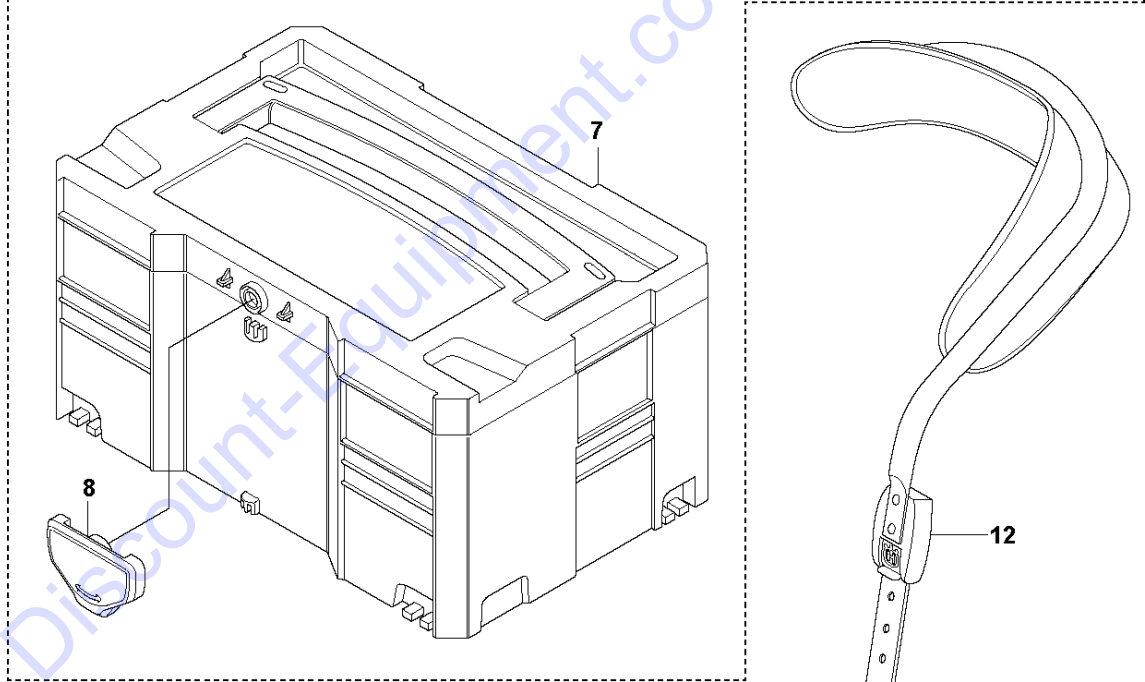
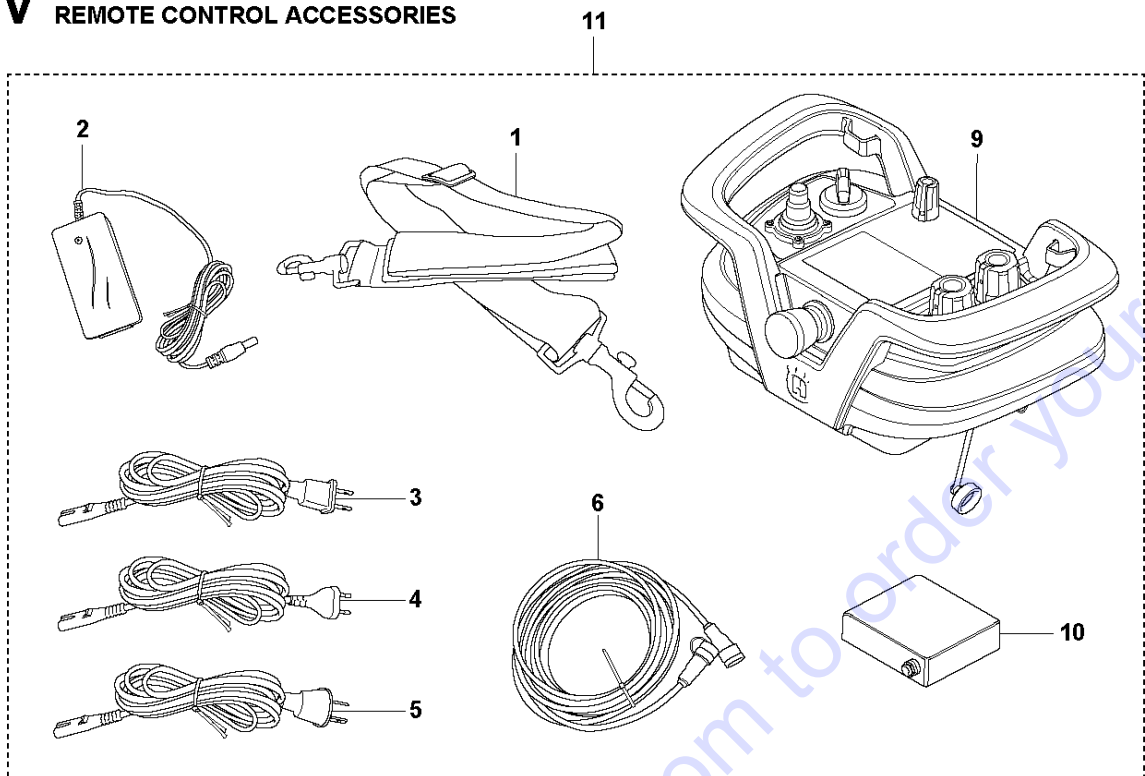
U PG 690 RC
MISC SPARE PARTS



Ref	Part No	Description	Remark	QTY KIT
1	599 69 00-01	HOSE KIT		1
2	593 53 67-01	STRAP	Vac hose guide assy	1

Go to Discount-Equipment.com to order your parts

**V PG 690 RC
REMOTE CONTROL ACCESSORIES**



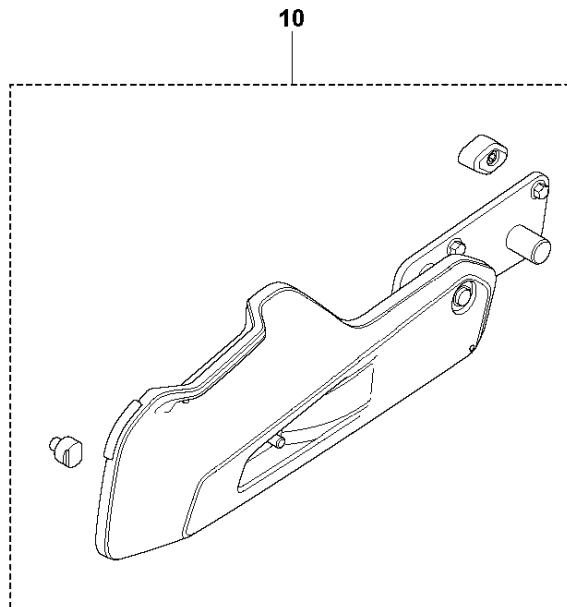
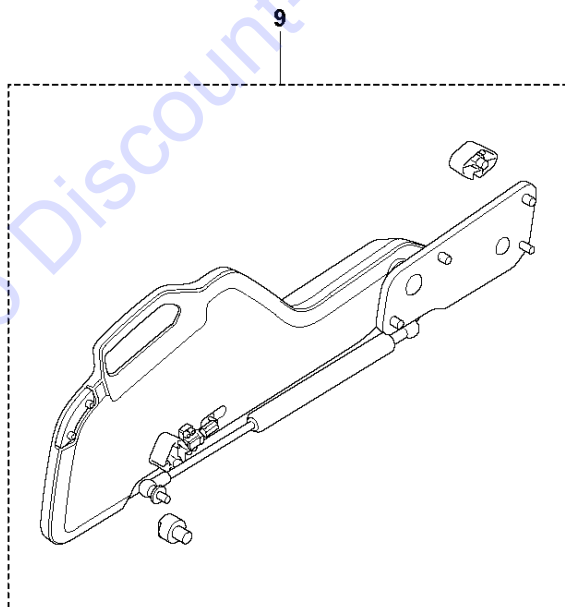
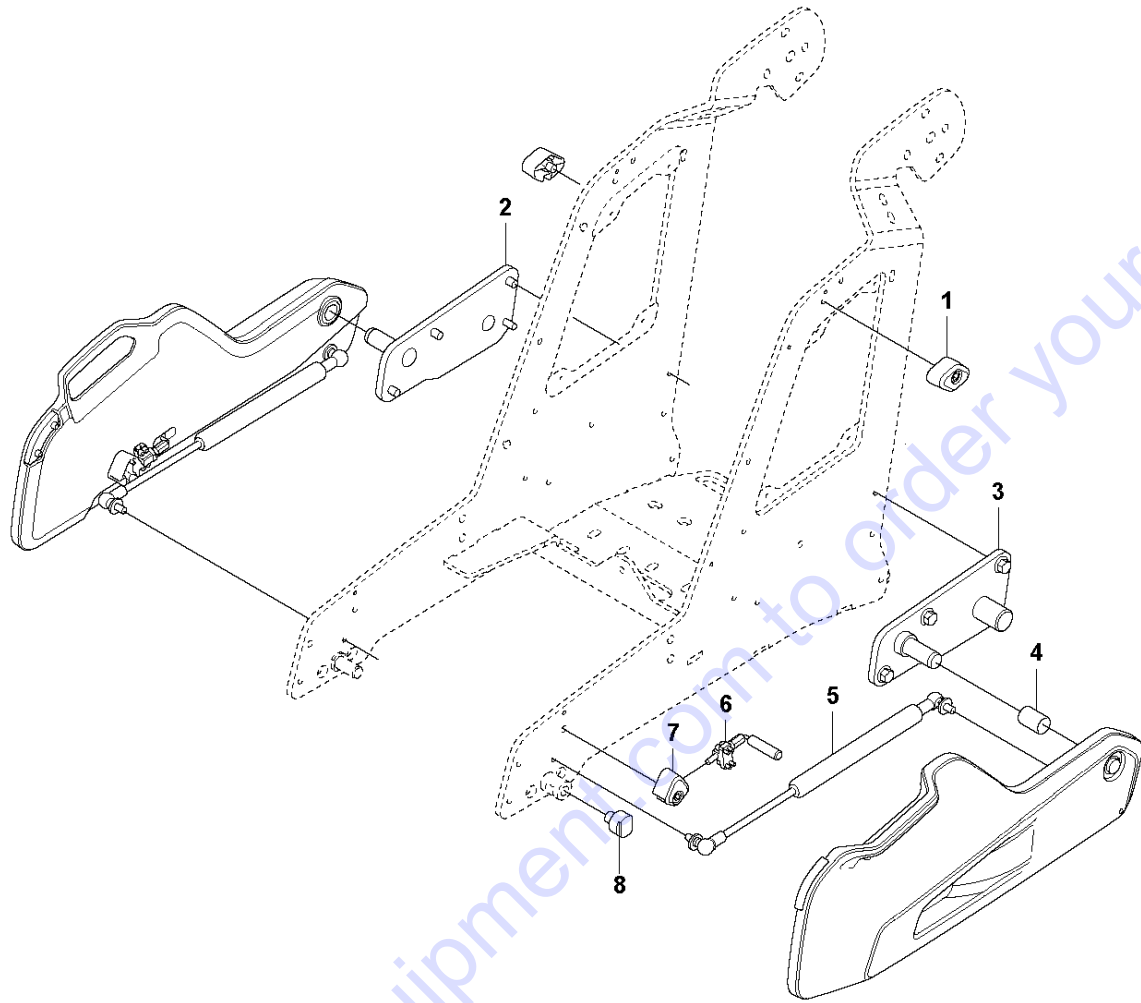
REMOTE CONTROL ACCESSORIES

PG 690 RC, 2020-06

Ref	Part No	Description	Remark	QTY	KIT
1	506 29 76-61	SHOULDER STRAP	RC Unit waist carrying	1	11
2	510 28 50-03	CHARGER	RC Unit battery charger	1	11
3	510 28 07-02	CABLE	RC Unit charging US, 2 meters	1	11
4	510 28 07-01	CABLE	RC Unit charging EU, 2 meters	1	11
5	510 28 07-04	CABLE	RC Unit charging AUS, 2 meters	1	11
6	577 05 99-02	CABLE ASSY	6 meters	1	11
7	587 18 97-01	BOX	Storage box	1	11
8	582 82 02-01	LOCK		1	11
9	576 25 92-01	REMOTE CONTROL		1	11
10	510 10 91-01	BATTERY		2	11
11	501 79 30-01	HARNESS	CPL RC Unit incl acc & box	1	
12	510 28 00-01	HARNESS	Carrying Hook	1	
13	598 44 83-01	CHARGER	New range, 24VDC, power supply	1	
14	587 06 94-01	CABLE	1 phase grinder charging EU, 4 meters	1	
14	587 06 94-02	CABLE	1 phase grinder charging US, 4 meters	1	
14	587 06 94-03	CABLE	1 phase grinder charging AUS, 1.8 meters	1	

Go to Discount-Equipment.com to order your parts

W PG 690 RC
WEIGHT ASSY

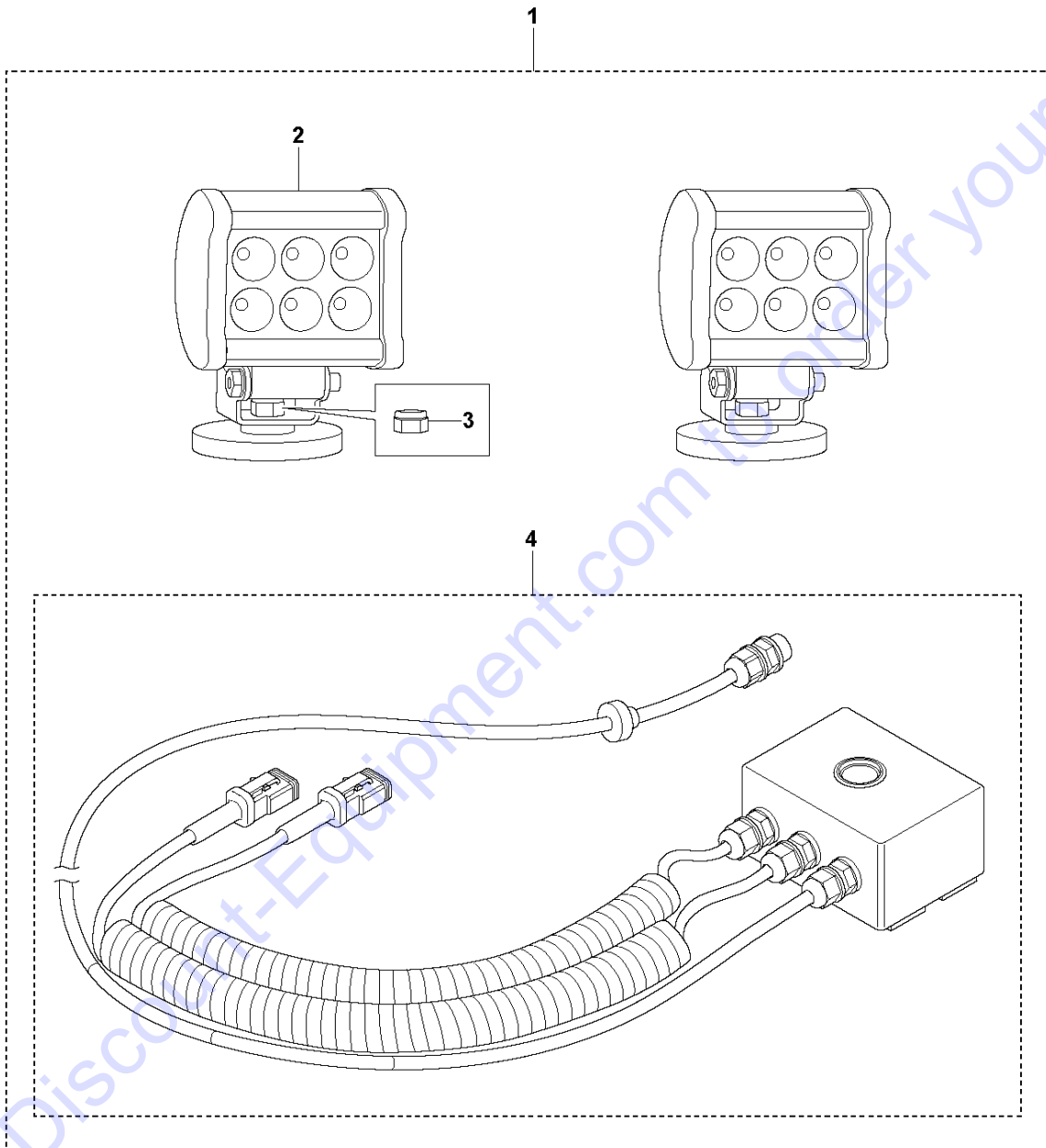


Go to Discount-Equipment.com to order your parts

Ref	Part No	Description	Remark	QTY KIT
1	599 65 62-02	BLOCK	Block incl. Screw	2
2	596 61 46-01	BRACKET	RH	1
3	596 61 46-02	BRACKET	LH	1
4	593 41 72-01	BUSHING		2
5	593 58 23-01	GAS SPRING	LH/RH	2
6	535 40 38-01	SPRING PIN	LH/RH Assy w M5x20	2
7	599 65 62-01	BLOCK	Block incl. Screw	2
8	598 39 97-01	SUPPORT		2
9	598 03 89-01	WEIGHT	Right	1
10	598 03 88-01	WEIGHT	Left	1

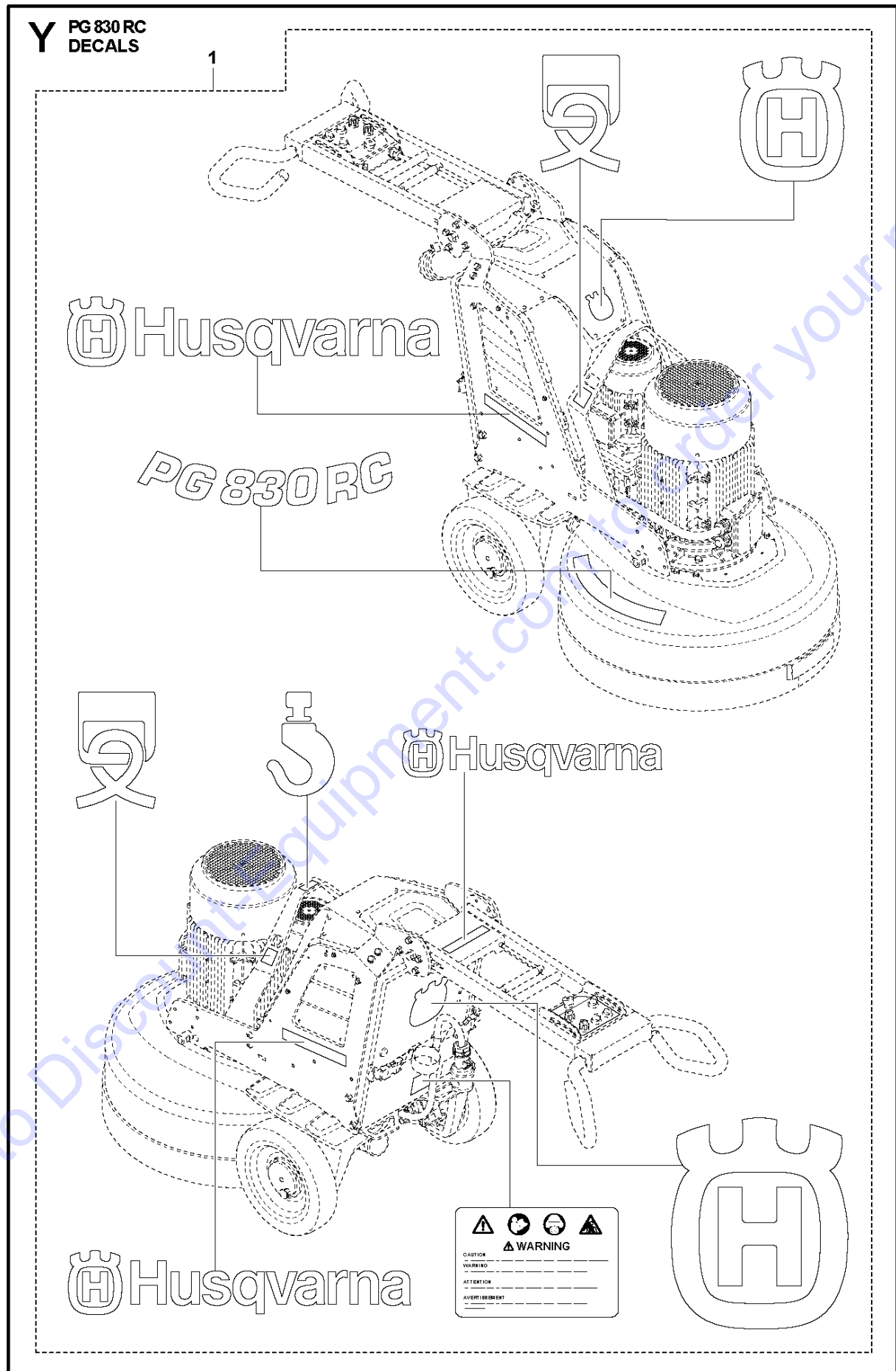
Go to Discount-Equipment.com to order your parts

X PG 830 RC
LIGHT KIT



Ref	Part No	Description	Remark	QTY KIT	
1	597 92 52-01	LIGHT KIT		1	
2	593 54 06-01	LIGHT		2	1
3	593 49 98-01	LOCK NUT	M8	2	1
4	598 69 22-01	CABLE	with on/off switch	1	1

Go to Discount-Equipment.com to order your parts



Ref	Part No	Description	Remark	QTY	KIT
1	599 65 56-02	DECAL KIT	CPL decal kit PG 690 RC	1	

Go to Discount-Equipment.com to order your parts

PARTS FINDER

**Search Website
by Part Number**



**Search Manual
Library For Parts
Manual & Lookup Part
Numbers – Purchase
or Request Quote**

Search Manuals

Enter your information to help us find the right parts manual for your machine.

* Brand:

* Model:

* Serial:

* Part Number:

SEARCH

**Can't Find Part or
Manual? Request Help
by Manufacturer,
Model & Description**

Parts Order Form

Please fill in the following information to help us find the right part for your machine.

Manufacturer:	<input type="text"/>
Model:	<input type="text"/>
Description:	<input type="text"/>
Part Number:	<input type="text"/>
Quantity:	<input type="text"/>
Notes:	<input type="text"/>

Submit

Discount-Equipment.com is your online resource for quality parts & equipment.

Florida: **561-964-4949** Outside Florida TOLL FREE: **877-690-3101**

Need parts?

Click on this link: <http://www.discount-equipment.com/category/5443-parts/> and choose one of the options to help get the right parts and equipment you are looking for. Please have the machine model and serial number available in order to help us get you the correct parts. If you don't find the part on the website or on one of the online manuals, please fill out the request form and one of our experienced staff members will get back to you with a quote for the right part that your machine needs.

We sell worldwide for the brands: Genie, Terex, JLG, MultiQuip, Mikasa, Essick, Whiteman, Mayco, Toro Stone, Diamond Products, Generac Magnum, Airman, Haulotte, Barreto, Power Blanket, Nifty Lift, Atlas Copco, Chicago Pneumatic, Allmand, Miller Curber, Skyjack, Lull, Skytrak, Tsurumi, Husquvarna Target, Stow, Wacker, Sakai, Mi-T-M, Sullair, Basic, Dynapac, MBW, Weber, Bartell, Bennar Newman, Haulotte, Ditch Runner, Menegotti, Morrison, Contec, Buddy, Crown, Edco, Wyco, Bomag, Laymor, EZ Trench, Bil-Jax, F.S. Curtis, Gehl Pavers, Heli, Honda, ICS/PowerGrit, IHI, Partner, Imer, Clipper, MMD, Koshin, Rice, CH&E, General Equipment, Amida, Coleman, NAC, Gradall, Square Shooter, Kent, Stanley, Tamco, Toku, Hatz, Kohler, Robin, Wisconsin, Northrock, Oztec, Toker TK, Rol-Air, APT, Wylie, Ingersoll Rand / Doosan, Innovatech, Con X, Ammann, Mecalac, Makinex, Smith Surface Prep, Small Line, Wanco, Yanmar