

DM 340

Reservdelar

Spare parts

Ersatzteile

Pieces de rechange

Piezas de repuesto

Ricambi

Peças sobresselente



PARTS FINDER

**Search Website
by Part Number**



**Search Manual
Library For Parts
Manual & Lookup Part
Numbers – Purchase
or Request Quote**

Search Manuals

Enter your information to help us find the right parts manual for your machine.

* Brand:

* Model:

* Serial:

* Part Number:

SEARCH

**Can't Find Part or
Manual? Request Help
by Manufacturer,
Model & Description**

Parts Order Form

Please fill in the following information to help us find the right part for your machine.

Manufacturer:	<input type="text"/>
Model:	<input type="text"/>
Description:	<input type="text"/>
Part Number:	<input type="text"/>
Quantity:	<input type="text"/>
Notes:	<input type="text"/>
Submit	<input type="button" value="Submit"/>

Discount-Equipment.com is your online resource for quality parts & equipment.

Florida: **561-964-4949** Outside Florida TOLL FREE: **877-690-3101**

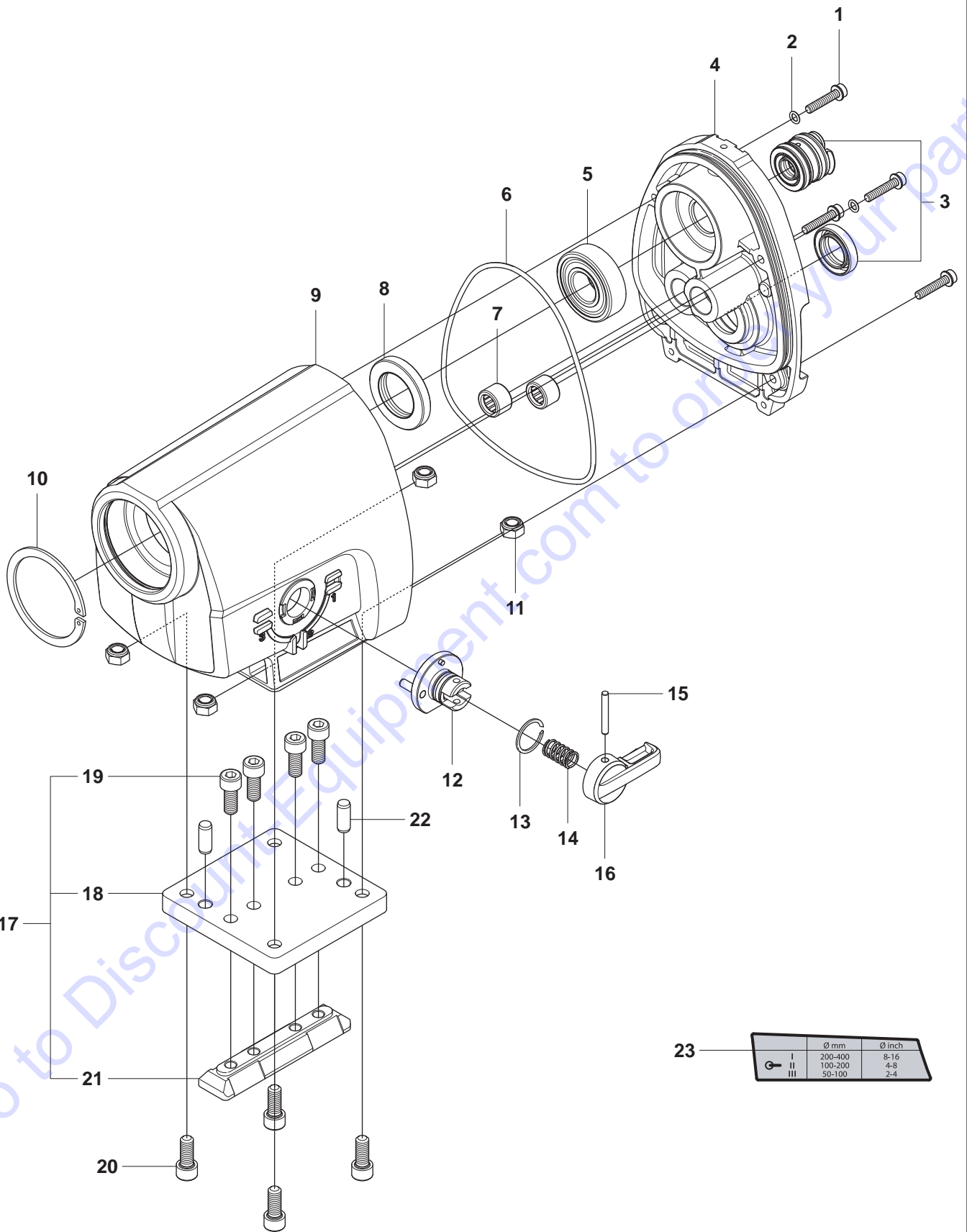
Need parts?

Click on this link: <http://www.discount-equipment.com/category/5443-parts/> and choose one of the options to help get the right parts and equipment you are looking for. Please have the machine model and serial number available in order to help us get you the correct parts. If you don't find the part on the website or on one of the online manuals, please fill out the request form and one of our experienced staff members will get back to you with a quote for the right part that your machine needs.

We sell worldwide for the brands: Genie, Terex, JLG, MultiQuip, Mikasa, Essick, Whiteman, Mayco, Toro Stone, Diamond Products, Generac Magnum, Airman, Haulotte, Barreto, Power Blanket, Nifty Lift, Atlas Copco, Chicago Pneumatic, Allmand, Miller Curber, Skyjack, Lull, Skytrak, Tsurumi, Husquvarna Target, Stow, Wacker, Sakai, Mi-T-M, Sullair, Basic, Dynapac, MBW, Weber, Bartell, Bennar Newman, Haulotte, Ditch Runner, Menegotti, Morrison, Contec, Buddy, Crown, Edco, Wyco, Bomag, Laymor, EZ Trench, Bil-Jax, F.S. Curtis, Gehl Pavers, Heli, Honda, ICS/PowerGrit, IHI, Partner, Imer, Clipper, MMD, Koshin, Rice, CH&E, General Equipment, Amida, Coleman, NAC, Gradall, Square Shooter, Kent, Stanley, Tamco, Toku, Hatz, Kohler, Robin, Wisconsin, Northrock, Oztec, Toker TK, Rol-Air, APT, Wylie, Ingersoll Rand / Doosan, Innovatech, Con X, Ammann, Mecalac, Makinex, Smith Surface Prep, Small Line, Wanco, Yanmar

No.	Pos.	Description	No.	Pos.	Description
502 30 44-01	B1	HOSE ASSY	724 12 91-01	B2	SCREW
502 47 97-01	A1	SHAFT	725 54 51-01	A1	SCREW
502 49 61-01	A1	COMPRESSION SPRING	725 54 59-01	D	SCREW
502 49 63-02	A1	SEALING RING	732 21 14-01	B2	LOCK NUT
502 49 65-01	B1	O-RING	732 25 18-01	A1	LOCK NUT
502 49 65-02	A1	O-RING	734 11 36-01	B1	WASHER
502 49 70-01	A1	CIRCLIP	735 11 36-50	B2	SPRING WASHER
503 20 07-16	C	SCREW	735 11 46-50	B2	SPRING WASHER
503 20 07-25	B1	SCREW	735 21 36-01	B1	LOCK WASHER
503 20 07-35	C	SCREW	735 31 22-41	A1	CIRCLIP
503 20 74-25	A1	SCREW	735 31 25-00	A2	CIRCLIP
503 21 20-01	B2	SCREW	735 31 30-00	A2	CIRCLIP
503 21 88-30	C	SCREW	735 31 33-10	B1	CIRCLIP
503 21 88-55	B1	SCREW	738 22 02-27	B1	BALL BEARING
503 25 53-01	A1	NEEDLE BEARING	738 22 04-19	A1	BALL BEARING
503 26 60-02	B1	COUPLER	738 22 06-29	A2	BALL BEARING
504 54 50-01	B2	FILTER	738 22-01-19	A2	BALL BEARING
504 54 62-02	B2	TERMINAL BLOCK	740 42 03-00	A1	O-RING
504 54 63-01	B2	CAPACITOR			
505 10 35-01	B1	O-RING			
505 44 33-02	C	CABLE			
506 22 58-02	B2	CARBON BRUSH			
510 01 76-01	B1	COVER			
510 02 14-01	B1	SPACER RING			
510 11 20-01	B1	NIPPLE KIT			
510 12 59-01	B1	HOSE KIT			
510 19 59-01	B1	VALVE KIT			
521 90 72-02	C	CABLE			
522 03 91-02	B2	STATOR ASSY			
522 43 07-02	C	HOLDER ELECTRONICS			
522 48 17-01	A1	LABEL			
522 51 88-01	B2	SCREW			
522 93 68-01	D	KIT, ADAPTER DS			
525 43 76-01	D	ALLEN KEY			
525 82 58-01	A1	SEAL KIT			
525 82 59-01	A2	GEAR WHEEL ASSY			
525 82 60-01	A2	OIL PIPE ASSY			
525 82 61-01	A2	KIT WEAR PARTS			
525 82 62-01	A2	SPINDLE SHAFT ASSY			
525 83 66-01	B1	ROTOR			
531 03 18-86	C	CABLE SLEEVE			
531 03 18-93	B2	BRUSH HOLDER			
531 07 38-91	C	SWITCH			
531 07 42-60	B1	FIBRE WASHER			
531 14 09-52	D	SPANNER 32			
531 14 09-58	A2	ADAPTER			
544 12 32-01	B2	CABLE CLAMP			
544 39 76-01	B1	SLEEVE			
544 39 77-01	A2	GEAR WHEEL SHAFT			
544 39 92-01	A2	GEAR WHEEL			
544 40 22-01	A1	GEAR HOUSING			
544 40 23-02	A1	COVER			
544 40 28-01	B2	COVER			
544 44 45-01	A2	SLIP CLUTCH ASSY			
544 44 49-01	B2	MOTOR HOUSING			
544 44 81-01	A1	GEAR SHIFT LEVER			
544 80 60-01	B1	AIR CONDUCTOR			
544 80 61-01	B2	AIR CONDUCTOR			
544 80 62-01	C	PROTECTIVE CAP			
544 80 63-01	C	PROTECTIVE CAP			
544 80 64-01	A1	MOTOR BRACKET			
544 80 66-01	A1	WEDGE			
544 80 67-01	A1	PLATE			
544 84 79-01	C	FRAME			
544 84 80-01	C	COVER			
544 88 27-01	B1	BRACKET			
720 12 76-06	A1	PARALLEL PIN			
720 14 01-06	A1	PARALLEL PIN			
723 22 85-81	B2	SCREW			
724 12 87-59	B1	SCREW			

A1 DM340



23

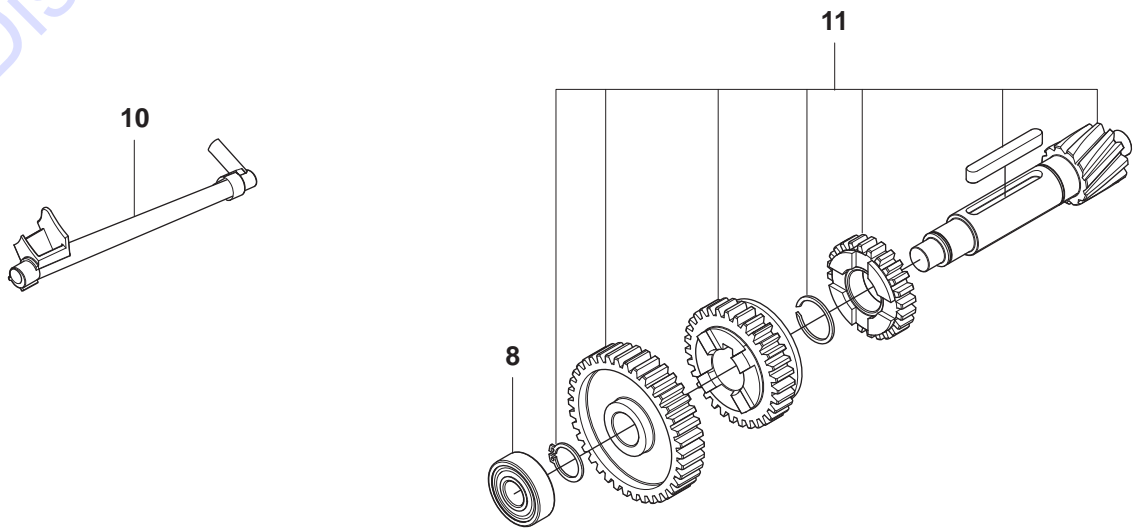
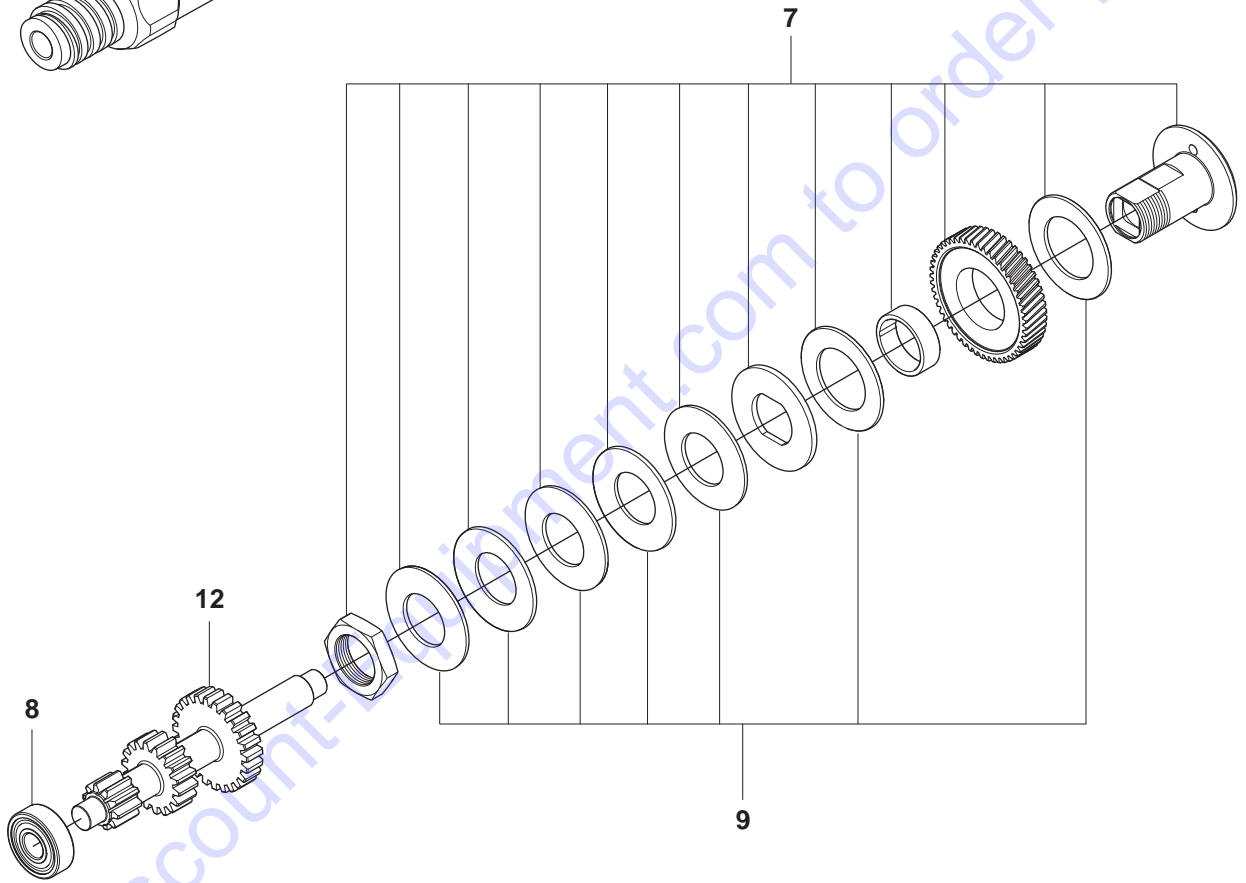
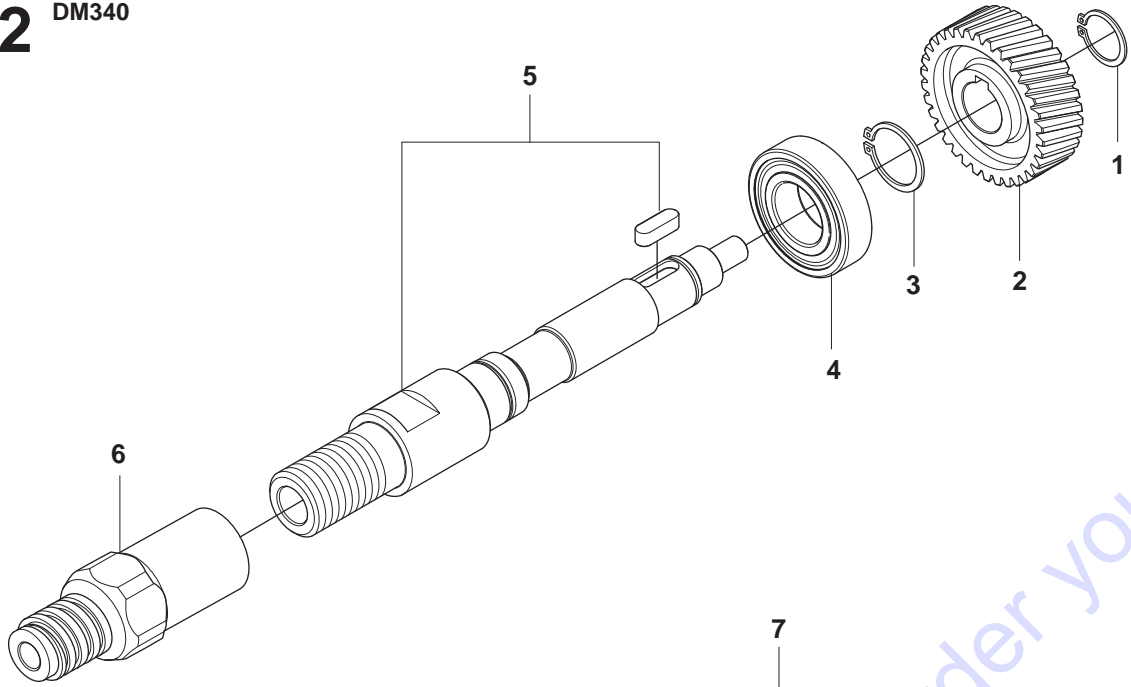
	Ø mm	Ø inch
I	200-400	8-16
II	100-200	4-8
III	50-100	2-4

Page A1
DM340

Pos.	Part No.	Description	Quantity	Notes
1	503 20 74-25	SCREW	4	
2	740 42 03-00	O-RING	2	
3	525 82 58-01	SEAL KIT	1	
4	544 40 23-02	COVER	1	
5	738 22 04-19	BALL BEARING	1	
6	502 49 65-02	O-RING	1	
7	503 25 53-01	NEEDLE BEARING	2	
8	502 49 63-02	SEALING RING	1	
9	544 40 22-01	GEAR HOUSING	1	
10	502 49 70-01	CIRCLIP	1	
11	732 25 18-01	LOCK NUT	4	
12	502 47 97-01	SHAFT	1	
13	735 31 22-41	CIRCLIP	1	
14	502 49 61-01	COMPRESSION SPRING	1	
15	720 12 76-06	PARALLEL PIN	1	
16	544 44 81-01	GEAR SHIFT LEVER	1	
17	544 80 64-01	MOTOR BRACKET	1	Incl. 18, 19 and 21
18	544 80 67-01	PLATE	1	
19	725 54 51-01	SCREW	4	
20	725 54 51-01	SCREW	4	
21	544 80 66-01	WEDGE	1	
22	720 14 01-06	PARALLEL PIN	2	
23	522 48 17-01	LABEL	1	

Go to Discount-Equipment.com to order your parts

A2 DM340



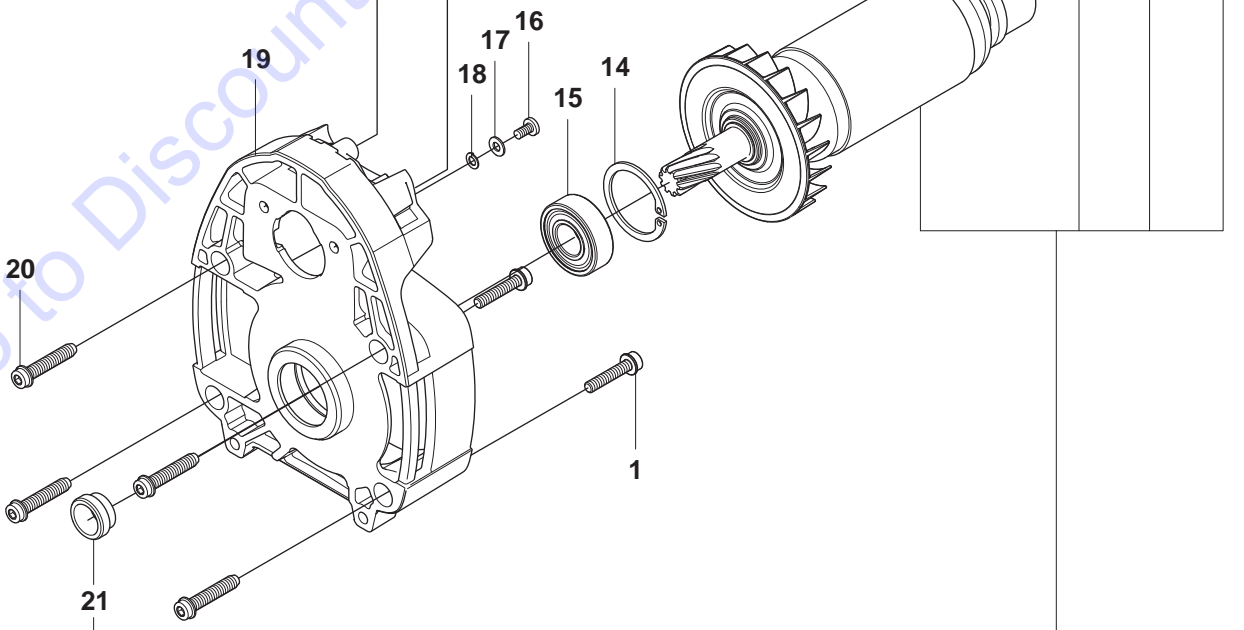
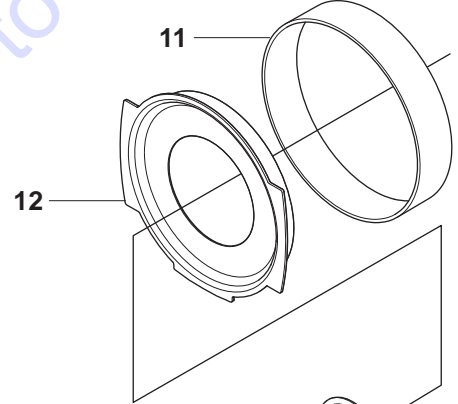
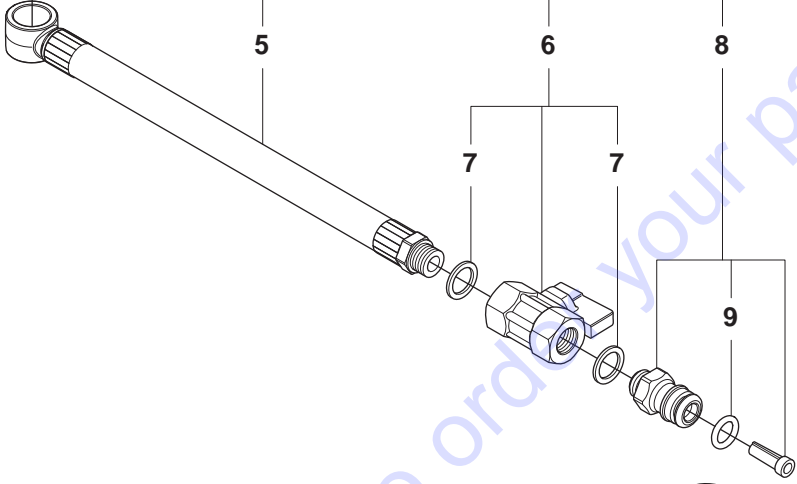
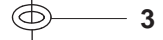
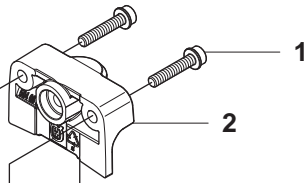
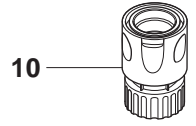
Go to Discount-www.discount-equipment.com to order your parts

Page A2
DM340

Pos.	Part No.	Description	Quantity	Notes
1	735 31 25-00	CIRCLIP	1	
2	544 39 92-01	GEAR WHEEL	1	
3	735 31 30-00	CIRCLIP	1	
4	738 22 06-29	BALL BEARING	1	
5	525 82 62-01	SPINDLE SHAFT ASSY	1	
6	531 14 09-58	ADAPTER	1	S, FI, NO, DK
7	544 44 45-01	SLIP CLUTCH ASSY	1	
8	738 22-01-19	BALL BEARING	2	
9	525 82 61-01	KIT WEAR PARTS	2	
10	525 82 60-01	OIL PIPE ASSY	1	
11	525 82 59-01	GEAR WHEEL ASSY	1	
12	544 39 77-01	GEAR WHEEL SHAFT	1	

Go to Discount-Equipment.com to order your parts

B1 DM340

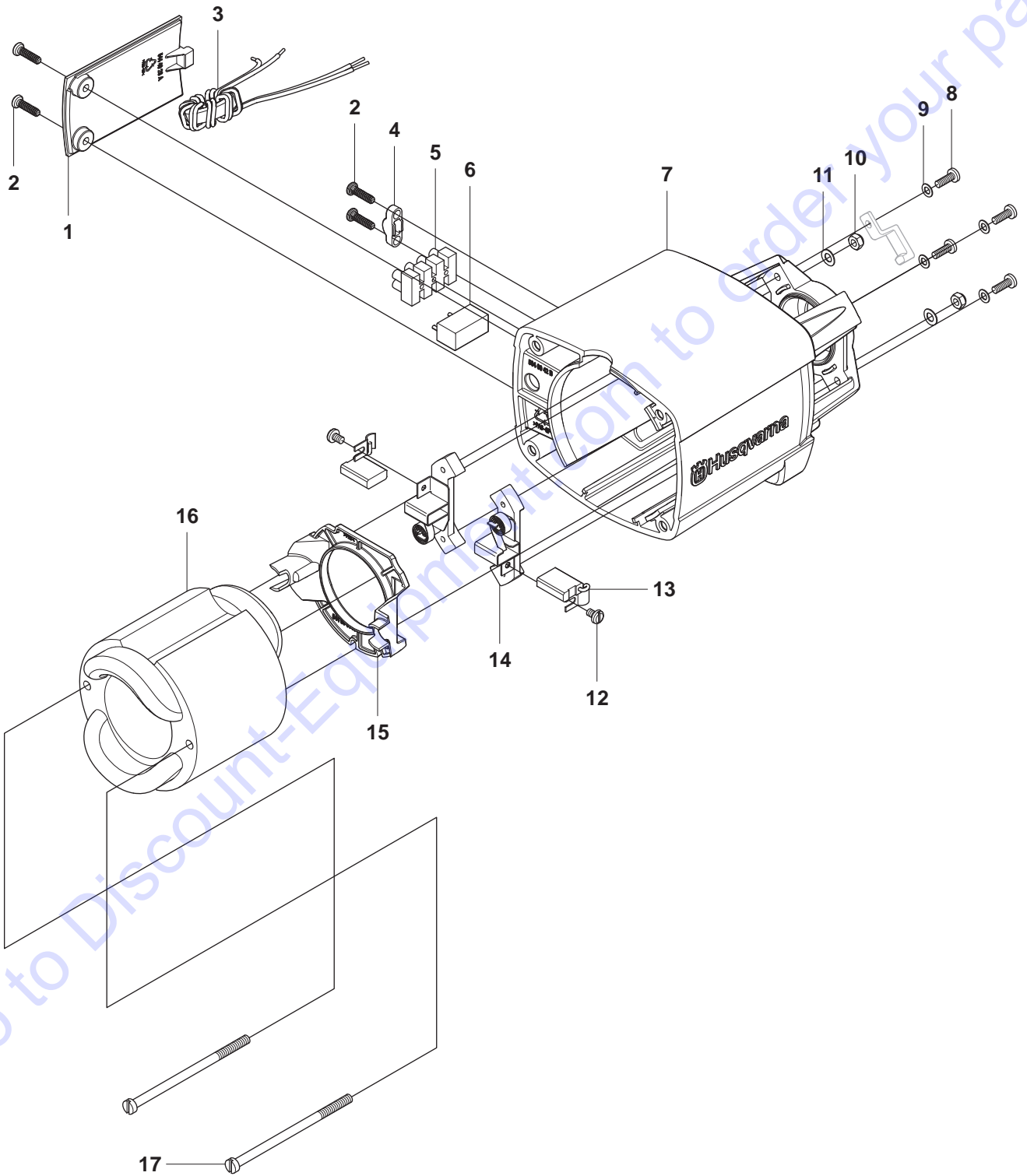


Page B1
DM340

Pos.	Part No.	Description	Quantity	Notes
1	503 20 07-25	SCREW	4	
2	544 88 27-01	BRACKET	1	
3	502 49 65-01	O-RING	2	
4	502 30 44-01	HOSE ASSY	1	incl 5,6,7,8,9
5	510 12 59-01	HOSE KIT	1	
6	510 19 59-01	VALVE KIT	1	incl 7
7	531 07 42-60	FIBRE WASHER	2	
8	510 11 20-01	NIPPLE KIT	1	incl 9
9	505 10 35-01	O-RING	1	
10	503 26 60-02	COUPLER	1	USA, CANADA
11	510 02 14-01	SPACER RING	1	
12	544 80 60-01	AIR CONDUCTOR	1	
13	525 83 66-01	ROTOR	1	incl 21
14	735 31 33-10	CIRCLIP	1	
15	738 22 02-27	BALL BEARING	1	
16	724 12 87-59	SCREW	1	
17	734 11 36-01	WASHER	1	
18	735 21 36-01	LOCK WASHER	1	
19	510 01 76-01	COVER	1	
20	503 21 88-55	SCREW	4	
21	544 39 76-01	SLEEVE	1	

Go to Discount-Equipment.com to order your parts

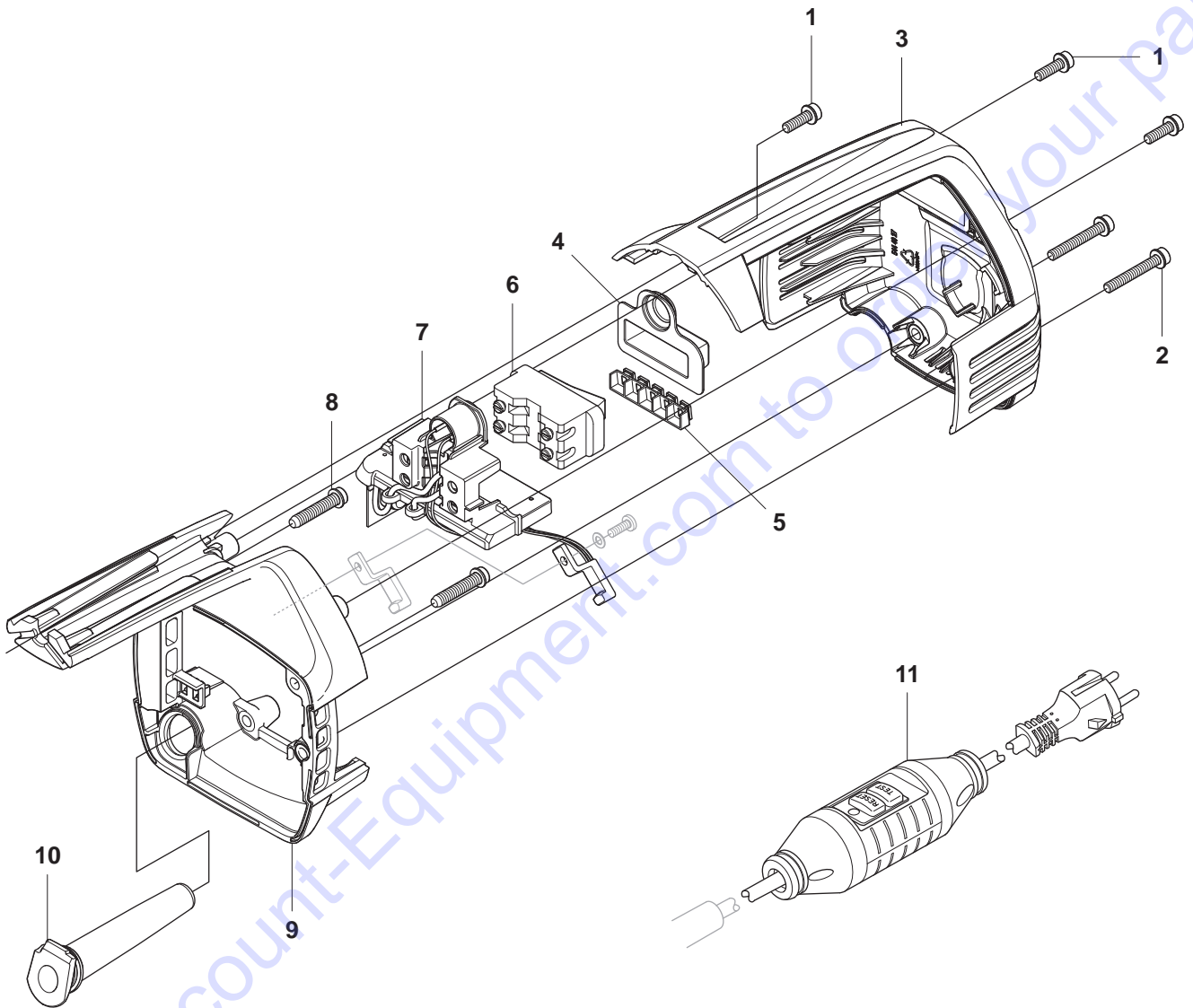
B2 DM340



Page B2
DM340

Pos.	Part No.	Description	Quantity	Notes
1	544 40 28-01	COVER	1	
2	503 21 20-01	SCREW	4	
3	504 54 50-01	FILTER	1	
4	544 12 32-01	CABLE CLAMP	1	
5	504 54 62-02	TERMINAL BLOCK	1	
6	504 54 63-01	CAPACITOR	1	
7	544 44 49-01	MOTOR HOUSING	1	
8	724 12 91-01	SCREW	4	
9	735 11 36-50	SPRING WASHER	4	
10	732 21 14-01	LOCK NUT	2	
11	735 11 46-50	SPRING WASHER	2	
12	723 22 85-81	SCREW	2	
13	506 22 58-02	CARBON BRUSH	2	
14	531 03 18-93	BRUSH HOLDER	2	
15	544 80 61-01	AIR CONDUCTOR	1	
16	522 03 91-02	STATOR ASSY	1	
17	522 51 88-01	SCREW	2	

Go to Discount-Equipment.com to order your parts

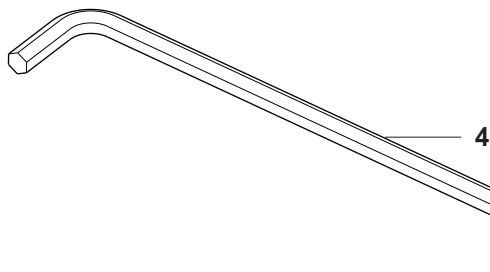
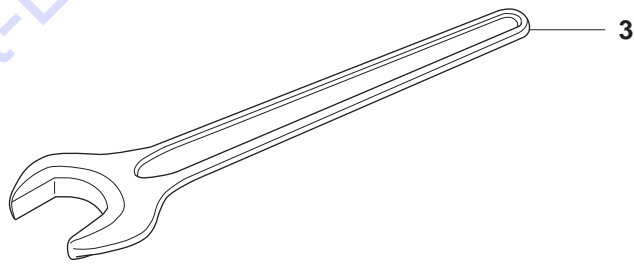
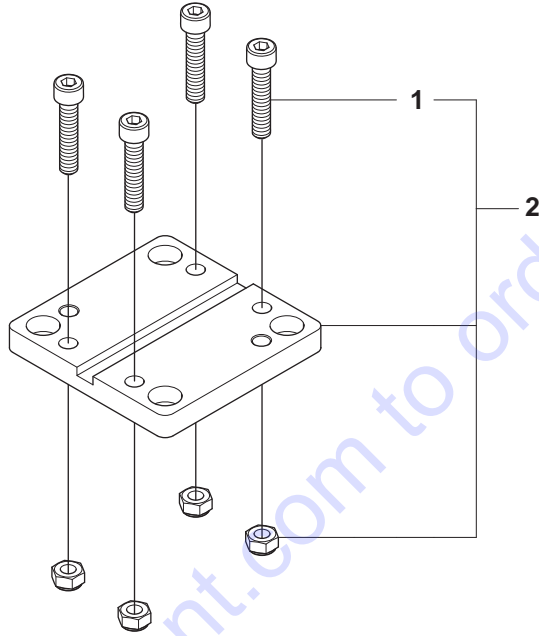


Page C
DM340

Pos.	Part No.	Description	Quantity	Notes
1	503 20 07-16	SCREW	3	
2	503 20 07-35	SCREW	2	
3	544 84 80-01	COVER	1	
4	544 80 62-01	PROTECTIVE CAP	1	
5	544 80 63-01	PROTECTIVE CAP	1	
6	531 07 38-91	SWITCH	1	
7	522 43 07-02	HOLDER ELECTRONICS	1	
8	503 21 88-30	SCREW	2	
9	544 84 79-01	FRAME	1	
10	531 03 18-86	CABLE SLEEVE	1	
11A	505 44 33-02	CABLE	1	230V incl PRCD 10mV, EU
11B	521 90 72-02	CABLE	1	230V incl PRCD 10mV, AU

Go to Discount-Equipment.com to order your parts

D DM340



Page D
DM340

Pos.	Part No.	Description	Quantity	Notes
1	725 54 59-01	SCREW	4	
2	522 93 68-01	KIT, ADAPTER DS	1	
3	531 14 09-52	SPANNER 32	1	32mm
4	525 43 76-01	ALLEN KEY	1	

Go to Discount-Equipment.com to order your parts

PARTS FINDER

**Search Website
by Part Number**



**Search Manual
Library For Parts
Manual & Lookup Part
Numbers – Purchase
or Request Quote**

Search Manuals

Enter your information to help us find the right parts manual for your machine.

* Brand:

* Model:

* Serial:

* Part Number:

SEARCH

**Can't Find Part or
Manual? Request Help
by Manufacturer,
Model & Description**

Parts Order Form

Please fill in the following information to help us find the right part for your machine.

Manufacturer:	<input type="text"/>
Model:	<input type="text"/>
Description:	<input type="text"/>
Part Number:	<input type="text"/>
Quantity:	<input type="text"/>
Notes:	<input type="text"/>

Discount-Equipment.com is your online resource for quality parts & equipment.

Florida: **561-964-4949** Outside Florida TOLL FREE: **877-690-3101**

Need parts?

Click on this link: <http://www.discount-equipment.com/category/5443-parts/> and choose one of the options to help get the right parts and equipment you are looking for. Please have the machine model and serial number available in order to help us get you the correct parts. If you don't find the part on the website or on one of the online manuals, please fill out the request form and one of our experienced staff members will get back to you with a quote for the right part that your machine needs.

We sell worldwide for the brands: Genie, Terex, JLG, MultiQuip, Mikasa, Essick, Whiteman, Mayco, Toro Stone, Diamond Products, Generac Magnum, Airman, Haulotte, Barreto, Power Blanket, Nifty Lift, Atlas Copco, Chicago Pneumatic, Allmand, Miller Curber, Skyjack, Lull, Skytrak, Tsurumi, Husquvarna Target, Stow, Wacker, Sakai, Mi-T-M, Sullair, Basic, Dynapac, MBW, Weber, Bartell, Bennar Newman, Haulotte, Ditch Runner, Menegotti, Morrison, Contec, Buddy, Crown, Edco, Wyco, Bomag, Laymor, EZ Trench, Bil-Jax, F.S. Curtis, Gehl Pavers, Heli, Honda, ICS/PowerGrit, IHI, Partner, Imer, Clipper, MMD, Koshin, Rice, CH&E, General Equipment, Amida, Coleman, NAC, Gradall, Square Shooter, Kent, Stanley, Tamco, Toku, Hatz, Kohler, Robin, Wisconsin, Northrock, Oztec, Toker TK, Rol-Air, APT, Wylie, Ingersoll Rand / Doosan, Innovatech, Con X, Ammann, Mecalac, Makinex, Smith Surface Prep, Small Line, Wanco, Yanmar