



SPARE PARTS LIST

DRILLING EQUIPMENT

DM340, 2012

Go to Discount-Equipment.com to order your parts



PARTS FINDER

**Search Website
by Part Number**



**Search Manual
Library For Parts
Manual & Lookup Part
Numbers – Purchase
or Request Quote**

Search Manuals

Enter your information to help us find the right parts manual for your machine.

* Brand:

* Model:

* Serial:

* Part Number:

SEARCH

**Can't Find Part or
Manual? Request Help
by Manufacturer,
Model & Description**

Parts Order Form

Please fill in the following information to help us find the right part for your machine.

Manufacturer:	<input type="text"/>
Model:	<input type="text"/>
Description:	<input type="text"/>
Part Number:	<input type="text"/>
Quantity:	<input type="text"/>
Notes:	<input type="text"/>

Discount-Equipment.com is your online resource for quality parts & equipment.

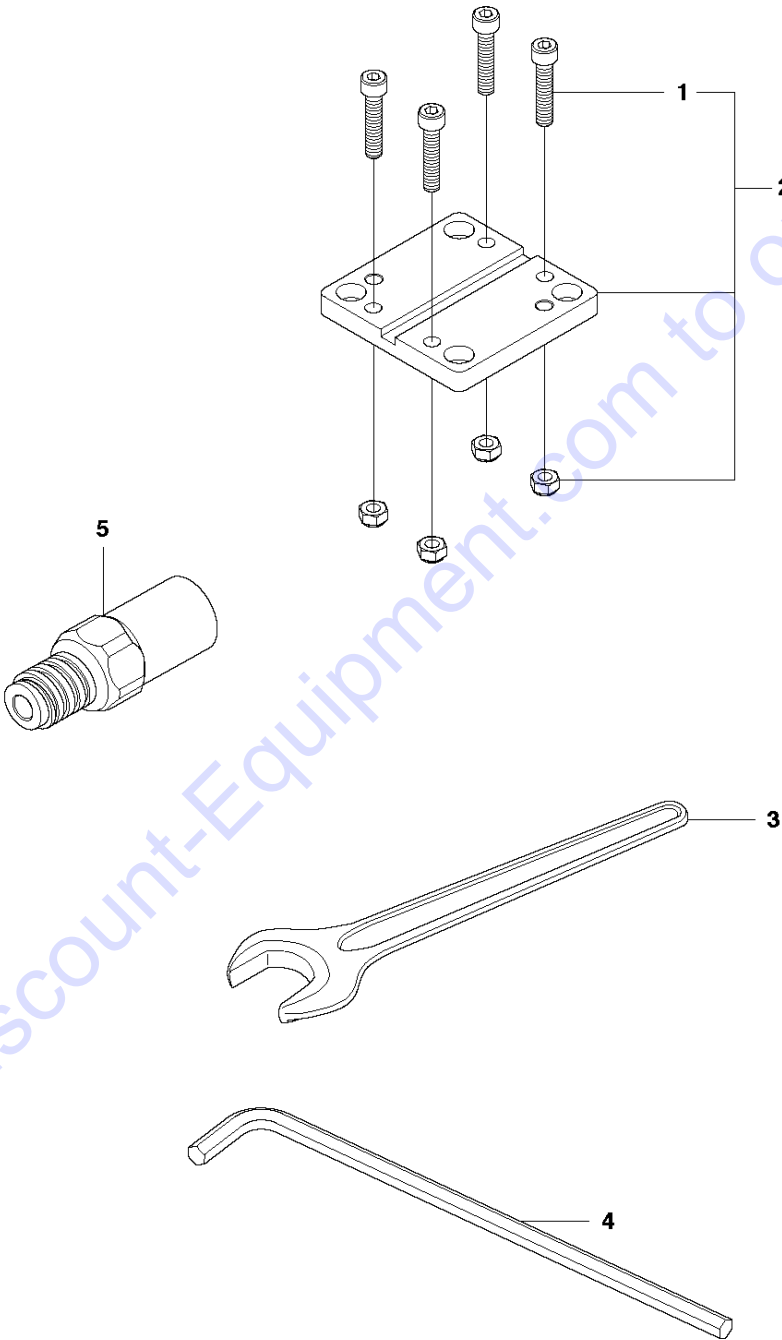
Florida: **561-964-4949** Outside Florida TOLL FREE: **877-690-3101**

Need parts?

Click on this link: <http://www.discount-equipment.com/category/5443-parts/> and choose one of the options to help get the right parts and equipment you are looking for. Please have the machine model and serial number available in order to help us get you the correct parts. If you don't find the part on the website or on one of the online manuals, please fill out the request form and one of our experienced staff members will get back to you with a quote for the right part that your machine needs.

We sell worldwide for the brands: Genie, Terex, JLG, MultiQuip, Mikasa, Essick, Whiteman, Mayco, Toro Stone, Diamond Products, Generac Magnum, Airman, Haulotte, Barreto, Power Blanket, Nifty Lift, Atlas Copco, Chicago Pneumatic, Allmand, Miller Curber, Skyjack, Lull, Skytrak, Tsurumi, Husquvarna Target, Stow, Wacker, Sakai, Mi-T-M, Sullair, Basic, Dynapac, MBW, Weber, Bartell, Bennar Newman, Haulotte, Ditch Runner, Menegotti, Morrison, Contec, Buddy, Crown, Edco, Wyco, Bomag, Laymor, EZ Trench, Bil-Jax, F.S. Curtis, Gehl Pavers, Heli, Honda, ICS/PowerGrit, IHI, Partner, Imer, Clipper, MMD, Koshin, Rice, CH&E, General Equipment, Amida, Coleman, NAC, Gradall, Square Shooter, Kent, Stanley, Tamco, Toku, Hatz, Kohler, Robin, Wisconsin, Northrock, Oztec, Toker TK, Rol-Air, APT, Wylie, Ingersoll Rand / Doosan, Innovatech, Con X, Ammann, Mecalac, Makinex, Smith Surface Prep, Small Line, Wanco, Yanmar

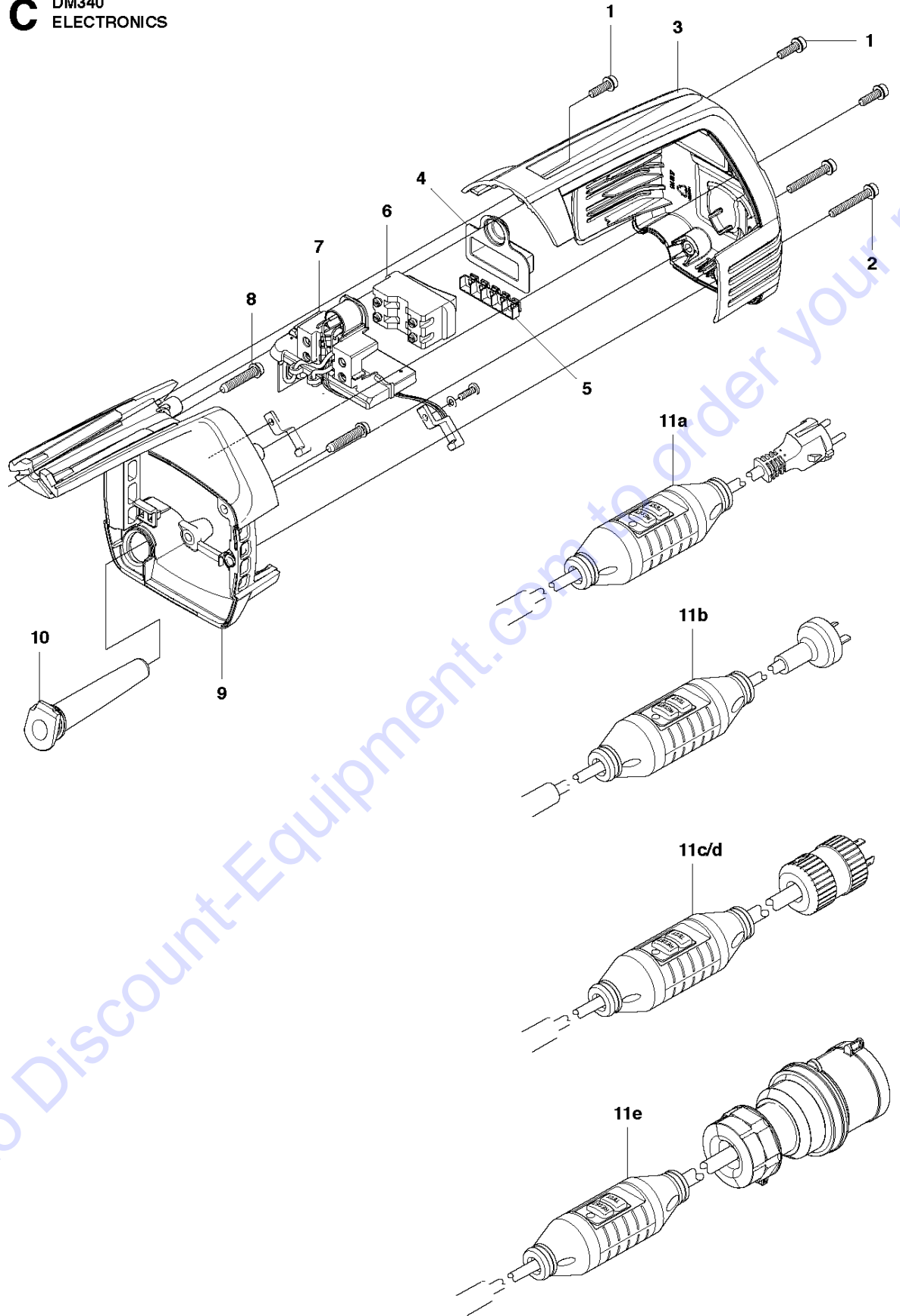
D DM340
TOOLS AND ACCESSORIES



Ref	Part No	Description	Remark	QTY KIT
1	725 54 59-01	SCREW IHSCM		2
2	522 93 68-01	KIT		
3	531 14 09-52	KEY	32 mm	
4	525 43 76-01	HEX KEY		
5	531 14 09-58	ADAPTER	SE, FI, NO, DK	1

Go to Discount-Equipment.com to order your parts

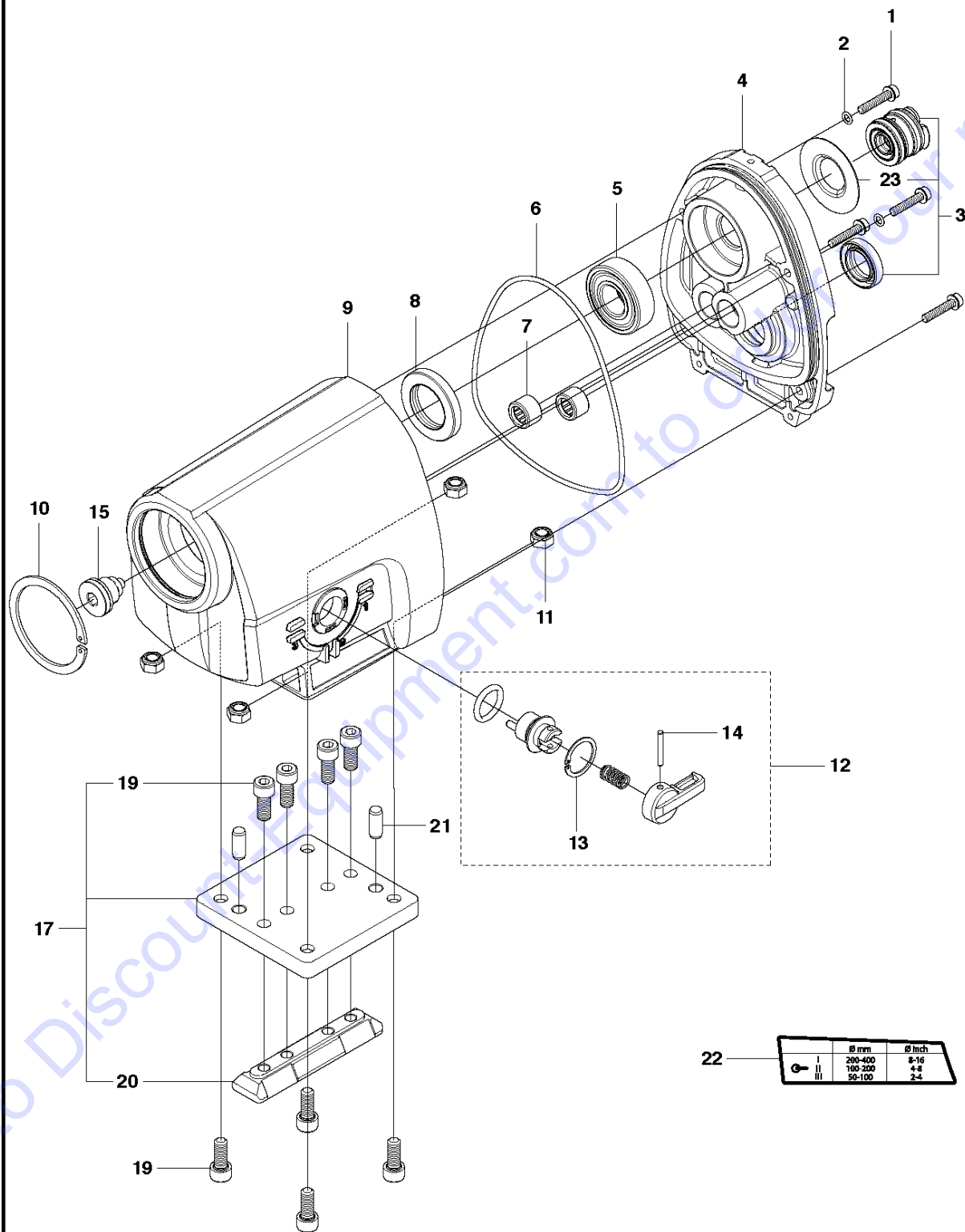
C DM340
ELECTRONICS



Ref	Part No	Description	Remark	QTY KIT
1	503 20 07-74	SCREW IHSCFM		3
2	503 20 07-82	SCREW IHSCFM		2
3	544 84 80-01	COVER		1
4	544 80 62-01	PROTECTIVE CAP		1
5	544 80 63-01	PROTECTIVE CAP		1
6	531 07 38-91	SWITCH		1
7	576 31 30-03	ELECTRONIC BOX	120V	1
7	576 31 30-04	ELECTRONIC BOX	230V	1
8	725 53 49-55	SCREW IHSCM	Valid from 20154700001	2
8	503 21 88-30	SCREW IHST	Valid until 20154700001	1
9	544 84 79-03	FRAME		1
10	577 41 18-01	CABLE SLEEVE		1
11a	505 44 33-02	CABLE	230V, EU	1
11b	521 90 72-02	CABLE	230V, AUS	1
11c	576 28 12-01	CABLE	230V, US	1
11d	510 18 13-03	CABLE	120V, US	1
11e	521 91 90-02	CABLE		1

Go to Discount-Equipment.com to order your parts

A1 DM340
GEAR BOX



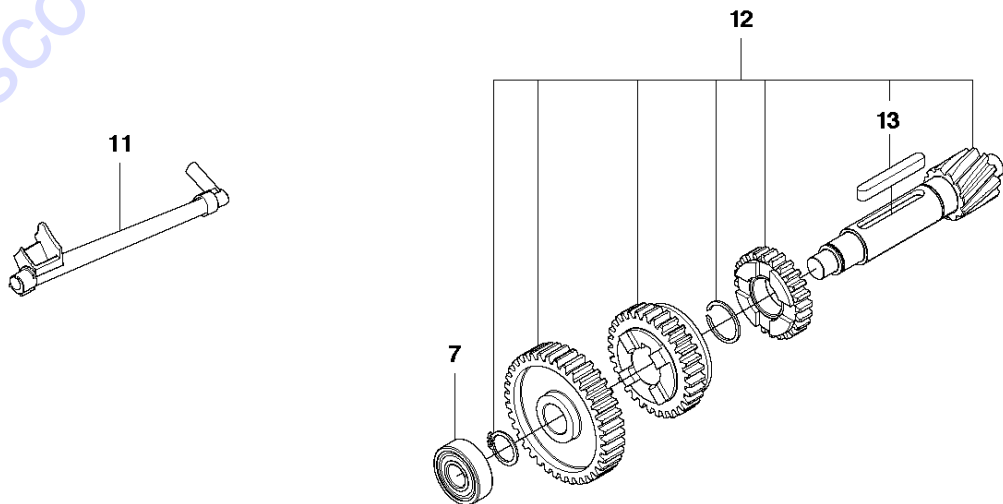
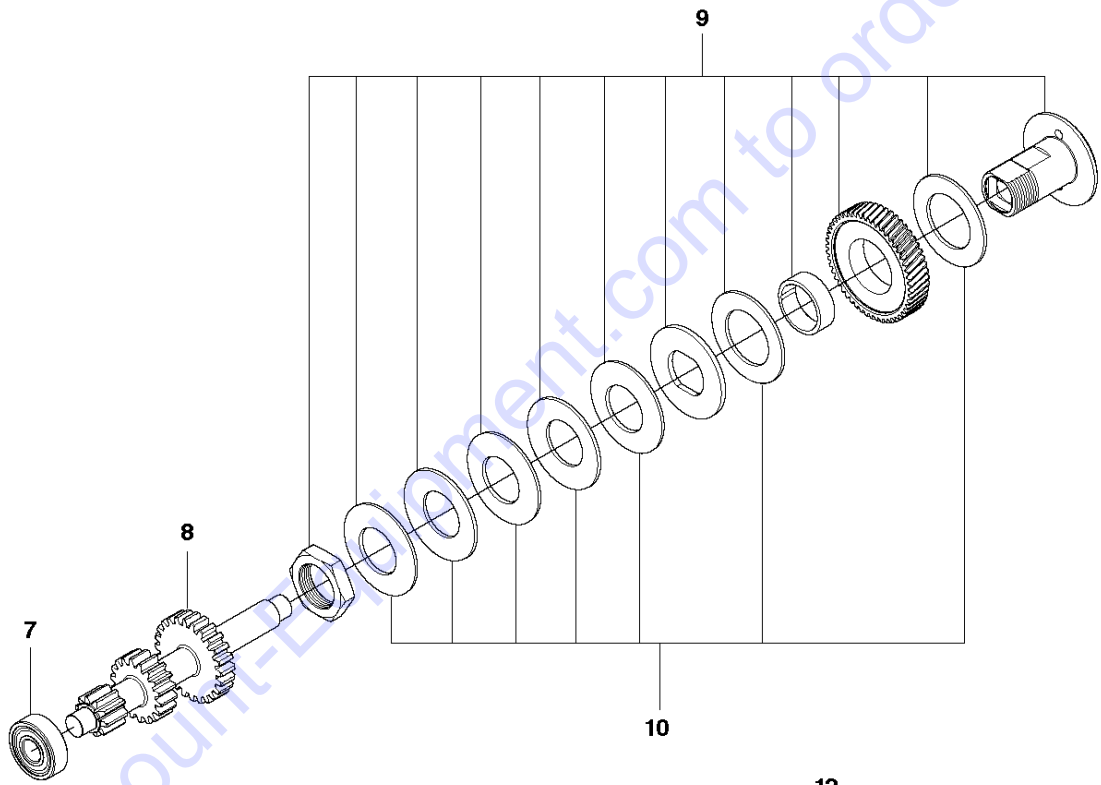
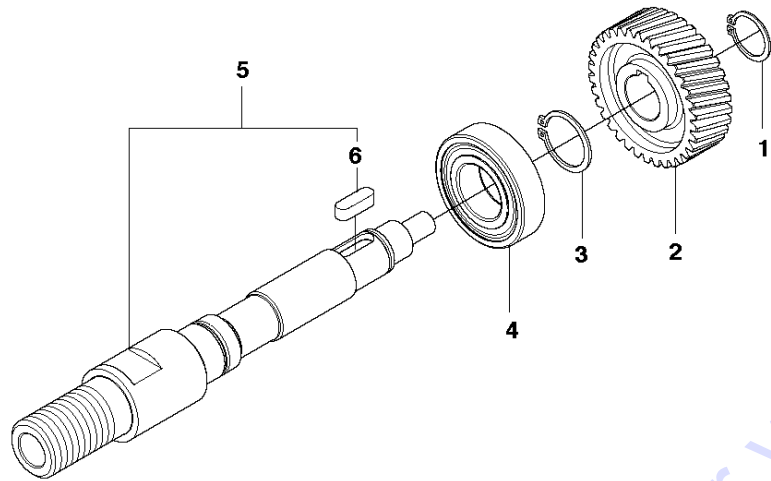
GEAR BOX

DM340, 2012

Ref	Part No	Description	Remark	QTY	KIT
1	503 20 03-25	SCREW IHSCFM		4	
2	740 42 03-00	O-RING		2	
3	525 82 58-03	SEAL		1	
4	581 56 58-01	COVER		1	
5	738 22 04-19	BALL BEARING		1	
6	502 49 65-03	O-RING		1	
7	503 25 53-01	NEEDLE BEARING		2	
8	502 49 63-02	SEALING RING		1	
9	581 56 56-01	GEAR HOUSING		1	
10	502 49 70-01	CIRCLIP		1	
11	732 25 18-01	HEXAGON LOCKING NUT		4	
12	588 56 90-01	GEARSHIFT LEVER		1	
13	735 31 22-41	RETAINER RING		1	12
14	720 12 76-06	PARALLEL PIN		1	12
15	525 48 10-01	OIL PLUG		1	
17	575 80 82-01	MOTOR BRACKET		1	
19	725 54 51-01	SCREW IHSCM		8	17
20	575 80 81-01	WEDGE		1	17
21	720 14 01-06	PARALLEL PIN		2	
22	522 48 17-01	LABEL		1	
23	584 39 02-01	GUIDE WASHER		1	3

Go to Discount-Equipment.com to order your parts

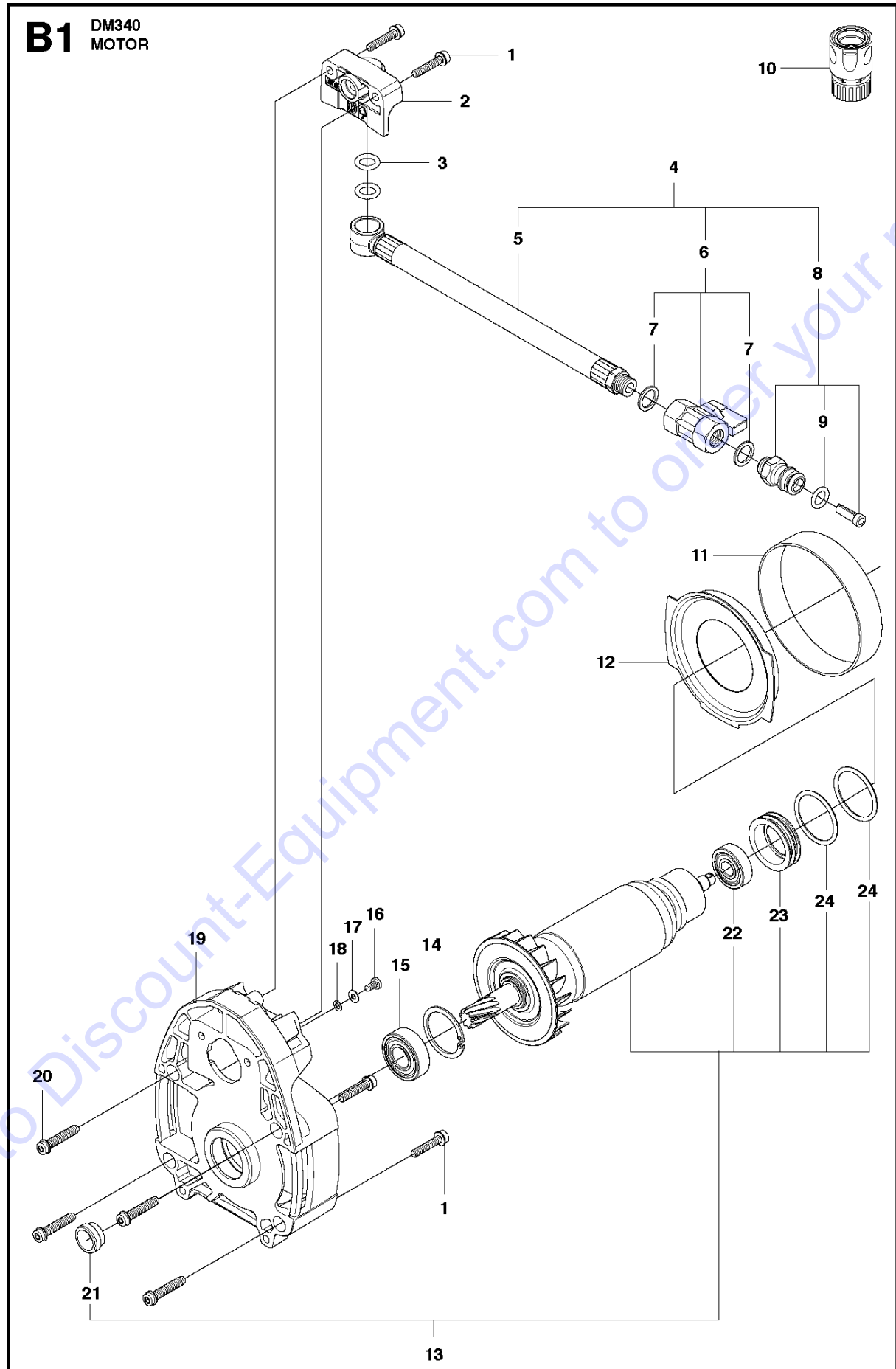
A2 DM340
GEAR BOX



Ref	Part No	Description	Remark	QTY KIT
1	735 31 25-00	CIRCLIP		1
2	544 39 92-01	GEAR WHEEL		1
3	735 31 30-00	CIRCLIP		1
4	738 22 06-29	BALL BEARING		1
5	525 82 62-01	SPINDLE SHAFT		1
6	502 44 66-04	PARALLEL KEY		1
7	738 22 01-19	BALL BEARING		2
8	544 39 77-01	GEAR WHEEL SHAFT		1
9	588 09 44-02	CLUTCH ASSY		1
10	588 42 79-01	KIT		1
11	525 82 60-01	OIL PIPE		1
12	588 56 89-01	GEAR WHEEL		1
13	502 44 66-03	PARALLEL KEY		1

Go to Discount-Equipment.com to order your parts

B1 DM340
MOTOR



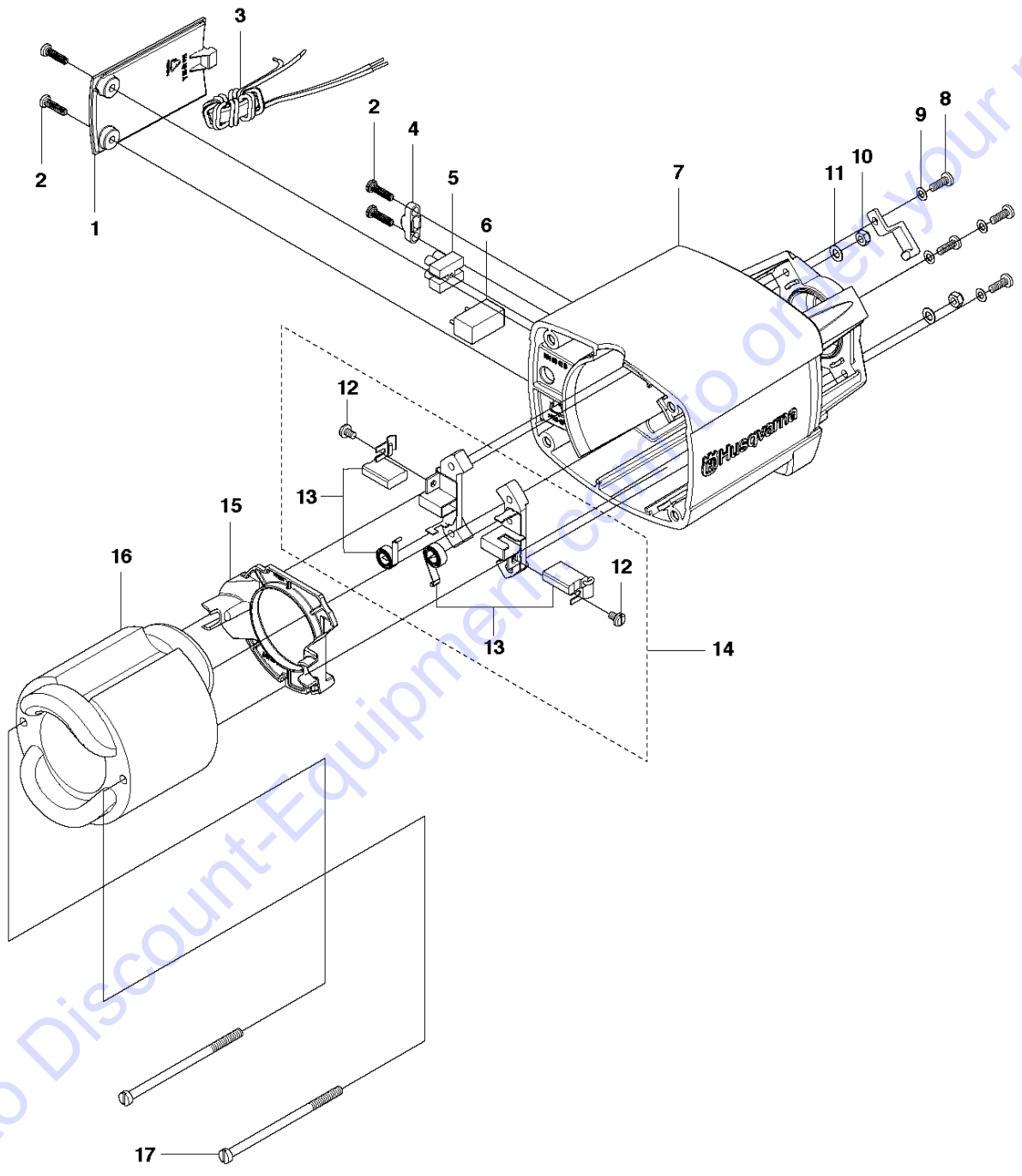
MOTOR

DM340, 2012

Ref	Part No	Description	Remark	QTY	KIT
1	503 20 07-78	SCREW IHSCFM		4	
2	544 88 27-01	BRACKET		1	
3	502 49 65-01	O-RING		2	
4	584 25 19-01	HOSE ASSY		1	
5	581 41 33-01	HOSE ASSY		1	4
6	510 19 59-01	VALVE KIT		1	4
7	531 07 42-60	WASHER		2	4, 6
8	510 11 20-01	NIPPLE		1	4
9	505 10 35-01	O-RING		1	4, 8
10	503 26 60-03	COUPLER	US, CANADA	1	
10	503 26 60-04	COUPLER		1	
11	510 02 14-01	SPACER RING		1	
12	544 80 60-01	AIR CONDUCTOR		1	
13	525 83 66-04	ROTOR	230V	1	
13	525 83 66-05	ROTOR	120V	1	
14	735 31 33-10	CIRCLIP		1	
15	531 07 39-44	BALL BEARING		1	
16	724 12 87-01	SCREW CRPANM		1	
17	734 11 36-01	WASHER		1	
18	735 21 36-01	LOCKWASHER		1	
19	510 01 76-01	COVER		1	
20	503 21 88-55	SCREW IHST		4	
21	544 39 76-01	SLEEVE		1	13
22	503 25 09-01	BEARING		1	
23	588 60 85-01	BEARING SLEEVE		1	
24	740 44 10-00	O-RING		2	

Go to Discount-Equipment.com to order your parts

B2 DM340
MOTOR



MOTOR

DM340, 2012

Ref	Part No	Description	Remark	QTY	KIT
1	544 40 28-02	COVER		1	
2	729 57 78-01	SCREW CCRPANT		4	
3	504 54 50-01	FILTER	230V Only	1	
4	544 12 32-01	CABLE CLAMP		1	
5	504 54 62-02	TERMINAL BLOCK	230V, valid until 20154700001	1	
5	504 54 62-01	TERMINAL BLOCK	110V, valid until 20154700001	1	
5	588 46 74-01	TERMINAL BLOCK	Valid from 20154700001	1	
6	504 54 63-01	CAPACITOR		1	
7	544 44 49-04	MOTOR HOUSING		1	
8	724 12 91-01	SCREW CRPANM		4	
9	735 11 36-50	SPRING WASHER		4	
10	732 21 14-01	LOCK NUT		2	
11	735 11 46-50	SPRING WASHER		2	
12	724 12 87-01	SCREW CRPANM		2	14
13	581 08 68-01	BRUSH KIT	Kit includes 2 pcs	1	14
14	581 05 85-01	BRUSH HOLDER		1	
15	544 80 61-01	AIR CONDUCTOR		1	
16	588 88 80-02	STATOR ASSY	230V	1	
16	588 88 80-01	STATOR ASSY	120V	1	
17	522 51 88-01	SCREW		2	

Go to Discount-Equipment.com to order your parts

PARTS FINDER

**Search Website
by Part Number**



**Search Manual
Library For Parts
Manual & Lookup Part
Numbers – Purchase
or Request Quote**

Search Manuals

Enter your information to help us find the right parts manual for your machine.

* Brand:

* Model:

* Serial:

* Part Number:

SEARCH

**Can't Find Part or
Manual? Request Help
by Manufacturer,
Model & Description**

Parts Order Form

Please fill in the following information to help us find the right part for your machine.

Manufacturer:	<input type="text"/>
Model:	<input type="text"/>
Description:	<input type="text"/>
Part Number:	<input type="text"/>
Quantity:	<input type="text"/>
Notes:	<input type="text"/>

Discount-Equipment.com is your online resource for quality parts & equipment.

Florida: **561-964-4949** Outside Florida TOLL FREE: **877-690-3101**

Need parts?

Click on this link: <http://www.discount-equipment.com/category/5443-parts/> and choose one of the options to help get the right parts and equipment you are looking for. Please have the machine model and serial number available in order to help us get you the correct parts. If you don't find the part on the website or on one of the online manuals, please fill out the request form and one of our experienced staff members will get back to you with a quote for the right part that your machine needs.

We sell worldwide for the brands: Genie, Terex, JLG, MultiQuip, Mikasa, Essick, Whiteman, Mayco, Toro Stone, Diamond Products, Generac Magnum, Airman, Haulotte, Barreto, Power Blanket, Nifty Lift, Atlas Copco, Chicago Pneumatic, Allmand, Miller Curber, Skyjack, Lull, Skytrak, Tsurumi, Husquvarna Target, Stow, Wacker, Sakai, Mi-T-M, Sullair, Basic, Dynapac, MBW, Weber, Bartell, Bennar Newman, Haulotte, Ditch Runner, Menegotti, Morrison, Contec, Buddy, Crown, Edco, Wyco, Bomag, Laymor, EZ Trench, Bil-Jax, F.S. Curtis, Gehl Pavers, Heli, Honda, ICS/PowerGrit, IHI, Partner, Imer, Clipper, MMD, Koshin, Rice, CH&E, General Equipment, Amida, Coleman, NAC, Gradall, Square Shooter, Kent, Stanley, Tamco, Toku, Hatz, Kohler, Robin, Wisconsin, Northrock, Oztec, Toker TK, Rol-Air, APT, Wylie, Ingersoll Rand / Doosan, Innovatech, Con X, Ammann, Mecalac, Makinex, Smith Surface Prep, Small Line, Wanco, Yanmar