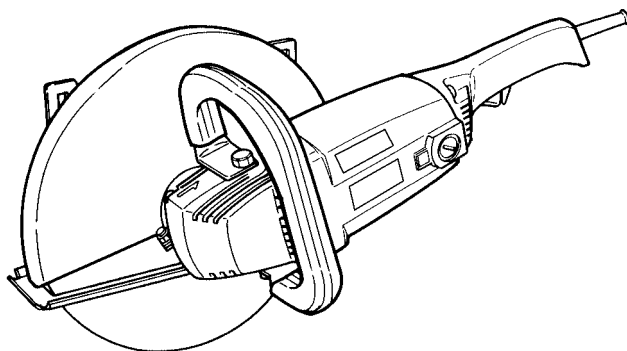


# HITACHI

MODEL  
MODÈLE  
MODELO

**CC 12Y**

CUT-OFF MACHINE  
TRONÇONNEUSE À DISQUE  
TRONZADORA



## INSTRUCTION MANUAL AND SAFETY INSTRUCTIONS

### **⚠ WARNING**

Improper and unsafe use of this power tool can result in death or serious bodily injury!

This manual contains important information about product safety. Please read and understand this manual before operating the power tool. Please keep this manual available for others before they use the power tool.

## MODE D'EMPLOI ET INSTRUCTIONS DE SECURITE

### **⚠ AVERTISSEMENT**

Une utilisation incorrecte et dangereuse de cet outil motorisé peut entraîner la mort ou de sérieuses blessures corporelles!

Ce mode d'emploi contient d'importantes informations à propos de la sécurité de ce produit. Prière de lire et de comprendre ce mode d'emploi avant d'utiliser l'outil motorisé. Garder ce mode d'emploi à la disponibilité des autres utilisateurs avant qu'ils utilisent l'outil motorisé.

## MANUAL DE INSTRUCCIONES E INSTRUCCIONES DE SEGURIDAD

### **⚠ ADVERTENCIA**

¡La utilización inapropiada e insegura de esta herramienta eléctrica puede resultar en lesiones serias o en la muerte!

Este manual contiene información importante sobre la seguridad del producto. Lea y comprenda este manual antes de utilizar la herramienta eléctrica. Guarde este manual para que puedan leerlo otras personas antes de que utilicen la herramienta eléctrica.



DOUBLE INSULATION  
DOUBLE ISOLATION  
AISLAMIENTO DOBLE

## CONTENTS

English

	Page		Page
IMPORTANT INFORMATION .....	3	<b>OPERATION AND MAINTENANCE</b>	
MEANINGS OF SIGNAL WORDS .....	3	NAME OF PARTS .....	10
		SPECIFICATIONS .....	10
<b>SAFETY</b>			
IMPORTANT SAFETY INSTRUCTIONS		APPLICATIONS .....	11
FOR USING ALL POWER TOOLS .....	4	PRIOR TO OPERATION .....	11
IMPORTANT SAFETY INSTRUCTIONS		PRACTICAL CUT-OFF MACHINE	
FOR USE OF THE CUT-OFF MACHINE ..	7	APPLICATION .....	12
REPLACEMENT PARTS .....	7	CUTTING WHEEL ASSEMBLY .....	13
POLARIZED PLUGS .....	7	MAINTENANCE AND INSPECTION ...	13
USE OF EXTENSION CORD .....	8	SERVICE AND REPAIRS .....	14
DOUBLE INSULATION FOR SAFER OPERATION .....	9		

## TABLE DES MATIERES

Français

	Page		Page
INFORMATIONS IMPORTANTES ....	15	<b>UTILISATION ET ENTRETIEN</b>	
SIGNIFICATION DES MOTS D'AVERTISSEMENT ..	15	NOM DES PIECES .....	23
		SPECIFICATIONS .....	23
<b>SECURITE</b>			
CONSIGNES DE SECURITE IMPORTANTES POUR		APPLICATIONS .....	24
L'UTILISATION DE TOUS LES OUTILS ELECTRIQUES ...	16	AVANT L'UTILISATION .....	24
CONSIGNES DE SECURITE IMPORTANTES		APPLICATIONS PRACTIQUES DE	
POUR L'UTILISATION DE LA TRONÇONNEUSE À DISQUE ..	20	LA TRONÇONNEUSE À DISQUE ....	25
PIECES DE RECHANGE .....	20	MONTAGE DE LA MEULE A DECOUPER ....	26
FICHE POLARISEES .....	20	ENTRETIEN ET INSPECTION .....	26
UTILISATION D'UN CORDON DE RALLONGE ..	21	ENTRETIEN ET REPARATION .....	27
DOUBLE ISOLATION POUR UN			
FONCTIONNEMENT PLUS SUR .....	22		

## ÍNDICE

Español

	Página		Página
INFORMACIÓN IMPORTANTE .....	28	<b>OPERACIÓN Y MANTENIMIENTO</b>	
SIGNIFICADO DE LAS PALABRAS DE SEÑALIZACIÓN ..	28	NOMENCLATURA .....	36
		ESPECIFICACIONES .....	36
<b>SEGURIDAD</b>			
INSTRUCCIONES IMPORTANTES DE SEGURIDAD PARA		APLICACIONES .....	37
UTILIZACIÓN DE TODAS LAS HERRAMIENTAS ELÉCTRICAS ..	29	ANTES DE LA OPERACIÓN .....	37
INSTRUCCIONES IMPORTANTES DE SEGURIDAD		APLICACIONES PRACTICAS .....	39
PARA UTILIZACIÓN DEL TRONZADORA .....	33	MONTAJE DE LA MUELA DE CORTE ...	39
PIEZAS DE REEMPLAZO .....	33	MANTENIMIENTO E INSPECCIÓN ..	39
ENCHUFES POLARIZADOS .....	33	MANTENIMIENTO Y REPARACIÓN ...	40
UTILIZACIÓN DE UN CABLE PROLONGADOR .....	34		
AISLAMIENTO DOBLE PARA OFRECER UNA			
OPERACIÓN MÁS SEGURA .....	35		

---

## **IMPORTANT INFORMATION**

---

Read and understand all of the operating instructions, safety precautions and warnings in the Instruction Manual before operating or maintaining this power tool.

Most accidents that result from power tool operation and maintenance are caused by the failure to observe basic safety rules or precautions. An accident can often be avoided by recognizing a potentially hazardous situation before it occurs, and by observing appropriate safety procedures.

Basic safety precautions are outlined in the "SAFETY" section of this Instruction Manual and in the sections which contain the operation and maintenance instructions.

Hazards that must be avoided to prevent bodily injury or machine damage are identified by WARNINGS on the power tool and in this Instruction Manual.

Never use this power tool in a manner that has not been specifically recommended by HITACHI, unless you first confirm that the planned use will be safe for you and others.

---

## **MEANINGS OF SIGNAL WORDS**

---

**WARNING** indicates a potentially hazardous situations which, if ignored, could result in serious personal injury.

**CAUTION** indicates a hazardous situations which, if ignored, could result in moderate personal injury, or could cause machine damage.

**NOTE** emphasizes essential information.

# SAFETY

## IMPORTANT SAFETY INSTRUCTIONS FOR USING ALL POWER TOOLS

**⚠ WARNING:** Death or serious bodily injury could result from improper or unsafe use of power tools. To avoid these risks, follow these basic safety instructions:

### READ ALL INSTRUCTIONS

#### 1. NEVER TOUCH MOVING PARTS.

Never place your hands, fingers or other body parts near the tool's moving parts.

#### 2. NEVER OPERATE WITHOUT ALL GUARDS IN PLACE.

Never operate this tool without all guards or safety features in place and in proper working order. If maintenance or servicing requires the removal of a guard or safety feature, be sure to replace the guard or safety feature before resuming operation of the tool.

#### 3. ALWAYS WEAR EYE AND EAR PROTECTOR.

Protect yourself from flying or expelled wood chips, metal particles or other debris by using protective goggles or equivalent eye protector. Wear ear protector to protect yourself from excessive noise.

#### 4. PROTECT YOURSELF AGAINST ELECTRIC SHOCK.

Prevent body contact with grounded surfaces such as pipes, radiators, ranges and refrigeration enclosures. Never operate the tool in damp or wet locations.

#### 5. DISCONNECT TOOLS.

Never leave the tool connected to a power source. Always disconnect the tool from its power source before servicing, inspecting, maintaining, cleaning and before changing or checking any parts.

#### 6. AVOID UNINTENTIONAL STARTING.

Don't carry the tool while it is connected to its power source. Don't carry the tool with your finger near the power switch. Be sure the power switch is in the "off" position before connecting the tool to its power source.

#### 7. STORE TOOL PROPERLY.

When not in use, the tool should be stored in a dry place. Keep out of reach of children. Lock-out the storage area.

#### 8. KEEP WORK AREA CLEAN.

Cluttered areas and benches invite injuries. Clear all work areas and work benches of unnecessary tools, debris, furniture, etc.

#### 9. CONSIDER WORK AREA ENVIRONMENT.

Don't expose power tools to rain. Don't use power tools in damp or wet locations. Keep work area well lit and well ventilated.

Don't use tool in presence of flammable liquids or gases.

Power tools produce sparks during operation. They also spark when switching ON/OFF. Never use power tools in sites containing lacquer, paint, benzene, thinner, gasoline, gases, adhesive agents, and other materials which are combustible or explosive.

**10. KEEP CHILDREN AWAY.**

Do not let visitors contact tool or extension cord.  
All visitors should be kept safely away from work area.

**11. DON'T FORCE TOOL.**

It will do the job better and safer at the rate for which it was intended.

**12. USE RIGHT TOOL.**

Don't force small tool or attachment to do the job of a heavy-duty tool.  
Don't use tool for purpose not intended—for example— don't use circular saw for cutting tree limbs or logs.

**13. DRESS PROPERLY.**

Do not wear loose clothing or jewelry. They can be caught in moving parts.  
Rubber gloves and non-skid footwear are recommended when working outdoors.  
Wear protective hair covering to contain long hair.

**14. USE FACE, DUST MASK OR RESPIRATOR IF OPERATION IS DUSTY.**

All persons in the area where power tools are being operated should also wear face, dust mask or respirator.

**15. DON'T ABUSE CORD.**

Never carry tool by cord or yank it to disconnect from receptacle.  
Keep cord from heat, oil and sharp edges.

**16. SECURE WORK.**

Use clamps or a vise to hold work. It's safer than using your hand and it frees both hands to operate tool.

**17. DON'T OVERREACH.**

Keep proper footing and balance at all times.

**18. MAINTAIN TOOLS WITH CARE.**

Keep tools sharp and clean for better and safer performance.  
Follow instructions for lubricating and changing accessories.  
Inspect tool cords periodically and if damaged, have repaired by an authorized service center. Inspect extension cords periodically and replace if damaged.  
Keep handles dry, clean, and free from oil and grease.

**19. REMOVE ADJUSTING KEYS AND WRENCHES.**

Keys and adjusting wrenches remove from tool before turning it on.

**20. OUTDOOR USE EXTENSION CORD.**

When tool is used outdoors, use only extension cord intended for use outdoors and so marked.

**21. STAY ALERT.**

Watch what you are doing. Use common sense. Do not operate tool when you are tired.  
Tools should never be used by you if you are under the influence of alcohol, drugs or medication that makes you drowsy.

**22. CHECK DAMAGED PARTS.**

Before further use of the tool, a guard or other part that is damaged should be carefully checked to determine that it will operate properly and perform its intended function.  
Check for alignment of moving parts, binding of moving parts, breakage of parts, mounting, and any other conditions that may affect its operation.

A guard or other part that is damaged should be properly repaired or replaced by an authorized service center unless otherwise indicated elsewhere in this Instruction Manual.

Have defective switches replaced by the authorized service center.

Do not use tool if switch does not turn it on and off.

**23. NEVER USE A POWER TOOL FOR APPLICATIONS OTHER THAN THOSE SPECIFIED.**

Never use a power tool for applications other than those specified in the Instruction Manual.

**24. HANDLE TOOL CORRECTLY.**

Operate the tool according to the instructions provided herein. Do not drop or throw the tool. Never allow the tool to be operated by children, individuals unfamiliar with its operation or unauthorized personnel.

**25. CHECK FOR LIVE WIRES.**

Avoid the risk of severe electrical shock by checking for live electrical wires that may be buried in walls, floors or ceilings. The wires should be de-energized before work begins.

**26. KEEP ALL SCREWS, BOLTS AND COVERS TIGHTLY IN PLACE.**

Keep all screws, bolts, and plates tightly mounted. Check their condition periodically.

**27. DO NOT USE POWER TOOLS IF THE PLASTIC HOUSING OR HANDLE IS CRACKED.**

Cracks in the tool's housing or handle can lead to electric shock. Such tools should not be used until repaired.

**28. BLADES AND ACCESSORIES MUST BE SECURELY MOUNTED TO THE TOOL.**

Prevent potential injuries to yourself or others. Blades, cutting implements and accessories which have been mounted to the tool should be secure and tight.

**29. KEEP MOTOR AIR VENT CLEAN.**

The tool's motor air vent must be kept clean so that air can freely flow at all times. Check for dust build-up frequently.

**30. OPERATE POWER TOOLS AT THE RATED VOLTAGE.**

Operate the power tool at voltages specified on its nameplate.

If using the power tool at a higher voltage than the rated voltage, it will result in abnormally fast motor revolution and may damage the unit and the motor may burn out.

**31. NEVER USE A TOOL WHICH IS DEFECTIVE OR OPERATING ABNORMALLY.**

If the tool appears to be operating unusually, making strange noises, or otherwise appears defective, stop using it immediately and arrange for repairs by a Hitachi authorized service center.

**32. NEVER LEAVE TOOL RUNNING UNATTENDED. TURN POWER OFF.**

Don't leave tool until it comes to a complete stop.

**33. CAREFULLY HANDLE POWER TOOLS.**

Should a power tool be dropped or struck against hard materials inadvertently, it may be deformed, cracked, or damaged.

**34. DO NOT WIPE PLASTIC PARTS WITH SOLVENT.**

Solvents such as gasoline, thinner benzine, carbon tetrachloride, and alcohol may damage and crack plastic parts. Do not wipe them with such solvents.

Wipe plastic parts with a soft cloth lightly dampened with soapy water and dry thoroughly.

**35. USE ONLY GENUINE HITACHI REPLACEMENT PARTS.**

Replacement parts not manufactured by Hitachi may void your warranty and can lead to malfunction and resulting injuries. Genuine Hitachi parts are available from your dealer.

---

## **IMPORTANT SAFETY INSTRUCTIONS FOR USE OF THE CUT-OFF MACHINE**

---

**⚠ WARNING:** Death or serious bodily injury could result from improper or unsafe use of the cut-off machine. To avoid these risks, follow these basic safety instructions:

1. Never operate these power tools without wheel guards
2. Use only cutting wheels with a "Safe Speed" at least as high as the "No-Load RPM" indicated on the power tool nameplate.

---

## **REPLACEMENT PARTS**

---

When servicing use only identical replacement parts.  
Repairs should be conducted only by a Hitachi authorized service center.

---

## **POLARIZED PLUGS**

---

To reduce the risk of electric shock, this equipment has a polarized plug (one blade is wider than the other).

This plug will fit in a polarized outlet only one way.

If the plug does not fit fully in the outlet, reverse the plug.

If it still does not fit, contact a qualified electrician to install the proper outlet.

Do not change the plug in any way.

## USE OF EXTENSION CORD

Make sure your extension cord is in good condition. When using an extension cord, be sure to use one heavy enough to carry the current your product will draw. An undersized cord will cause a drop in line voltage resulting in loss of power and overheating. Table shows the correct size to use depending on cord length and nameplate ampere rating. If in doubt, use the next heavier gage. The smaller the gage number, the heavier the cord.

MINIMUM GAGE FOR CORD SETS

		Total Length of Cord in Feet (Meter)			
		0 – 25 (0 – 7.6)	26 – 50 (7.9 – 15.2)	51 – 100 (15.5 – 30.5)	101 – 150 (30.8 – 45.7)
Ampere More Than	Rating Not More Than	AWG			
	0 – 6	18	16	16	14
	6 – 10	18	16	14	12
	10 – 12	16	16	14	12
	12 – 16	14	12	Not Recommended	

**⚠ WARNING:** Avoid electrical shock hazard. Never use this tool with a damaged or frayed electrical cord or extension cord. Inspect all electrical cords regularly. Never use in or near water or in any environment where electric shock is possible.



## **DOUBLE INSULATION FOR SAFER OPERATION**

To ensure safer operation of this power tool, HITACHI has adopted a double insulation design. "Double insulation " means that two physically separated insulation systems have been used to insulate the electrically conductive materials connected to the power supply from the outer frame handled by the operator. Therefore, either the symbol "⊞" or the words and "Double insulation" appear on the power tool or on the nameplate.

Although this system has no external grounding, you must still follow the normal electrical safety precautions given in this Instruction Manual, including not using the power tool in wet environments.

To keep the double insulation system effective, follow these precautions:

- Only HITACHI AUTHORIZED SERVICE CENTER should disassemble or assemble this power tool, and only genuine HITACHI replacement parts should be installed.
- Clean the exterior of the power tool only with a soft cloth moistened with soapy water, and dry thoroughly.  
Never use solvents, gasoline or thinners on plastic components; otherwise the plastic may dissolve.

**SAVE THESE INSTRUCTIONS  
AND  
MAKE THEM AVAILABLE TO  
OTHER USERS OF THIS TOOL!**

# OPERATION AND MAINTENANCE

## NOTE:

The information contained in this Instruction Manual is designed to assist you in the safe operation and maintenance of the power tool.

Some illustrations in this Instruction Manual may show details or attachments that differ from those on your own power tool

## NAME OF PARTS

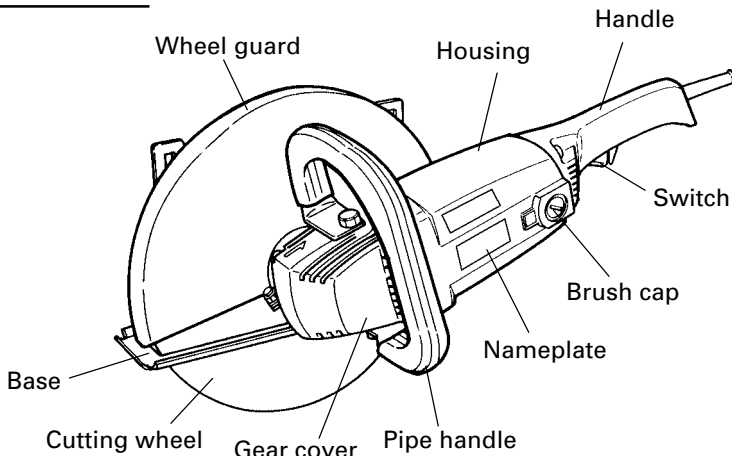


Fig. 1

## SPECIFICATIONS

Motor	Single-Phase, Series Commutator Motor	
Power Source	Single-Phase, 115V AC 60Hz	
Current	15A	
No-Load Speed	5000rpm	
Wheel	outer dia. × hole dia.	12" (305 mm) × 1" (25.4 mm)
	peripheral speed	16000 ft/min (4800 m/min)
Weight	24 lbs (10.8 kg)	

---

## APPLICATIONS

---

- Cutting sheet metal, concrete, cinder blocks, reinforcing rods, concrete wire mesh, corrugated floor and ceiling forms, etc.

---

## PRIOR TO OPERATION

---

1. Power source  
Ensure that the power source to be utilized conforms to the power source requirements specified on the product nameplate.
2. Power switch  
Ensure that the switch is in the OFF position. If the plug is connected to a receptacle while the switch is in the ON position, the power tool will start operating immediately and can cause serious injury.
3. Extension cord  
When the work area is far away from the power source, use an extension cord of sufficient thickness and rated capacity. The extension cord should be kept as short as practicable.

 **WARNING: Damaged cord must be replaced or repaired.**

4. Check the receptacle  
If the receptacle only loosely accepts the plug, the receptacle must be repaired. Contact a licensed electrician to make appropriate repairs.  
If such a faulty receptacle is used, it may cause overheating, resulting in a serious hazard.

## 5. Confirming condition of the environment:

Confirm that the work site is placed under appropriate conditions conforming to prescribed precautions.

## 6. Fitting and adjusting the wheel guard

The wheel guard is a protective device to prevent injury should the cutting wheel shatter during operation. Ensure that the guard is properly fitted and fastened before commencing cutting operation. By slightly loosening the setting screw, the wheel guard can be turned and set at any desired angle for maximum operational effectiveness. Ensure that the setting screw is thoroughly tightened after adjusting the wheel guard.

## 7. Cutting wheel

Ensure that the cutting wheel to be utilized is the correct type and free of cracks or surface defects. Also ensure that the cutting wheel is properly mounted and the wheel nut is securely tightened. Refer to the section on "Cutting Wheel Assembly".

## 8. Conducting a trial run

Before commencing cutting operation, the machine should be given a trial run in a safe area to ensure that it is properly assembled and that the cutting wheel is free from obvious defects.

Recommended trial runs durations are as follows:

After replacing cutting wheel ..... 3 minutes or more  
Prior to starting routine work ..... 1 minute or more

## 9. Confirming the lock pin.

Confirm that the lock pin is disengaged by pushing lock pin two or three times before switching the power tool on (See Fig. 2).

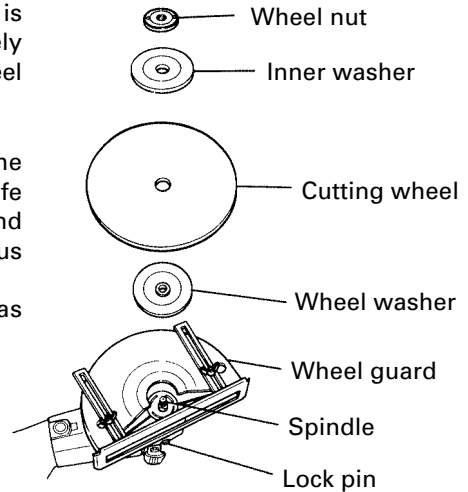


Fig. 2

## PRACTICAL CUT-OFF MACHINE APPLICATION

### 1. Cutting force

To prolong the life of the machine and ensure a first class finish. It is important that the machine should not be overloaded by applying too much force.

### 2. Precautions immediately after finishing operation

After switching off the machine, do not put it down until the cutting wheel has come to a complete stop. Apart from avoiding serious accidents, this precaution will reduce the amount of dust and swarf sucked into the machine.

### ⚠ CAUTION:

**After operation, always place the machine so that the cutting wheel faces upward.  
When the machine is not in use, the power source should be disconnected.**

## CUTTING WHEEL ASSEMBLY

### 1. Assembling (Fig. 2, 3)

- (1) Turn the machine upside down so that the spindle is facing upward.
- (2) Mount the wheel washer onto the spindle.
- (3) Fit the protuberance of the cutting wheel onto the wheel washer.
- (4) Put the inner washer on the cutting wheel, and screw the wheel nut onto the spindle.
- (5) Insert the lock pin to prevent rotation of the spindle, and tighten the wheel nut with accessory wrench, as shown in Fig. 3.

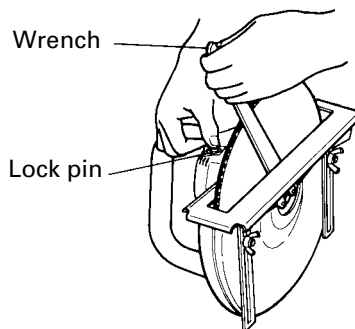


Fig. 3

### **⚠ CAUTION:**

**After attaching the cutting wheel, check that the cutting wheel does not come into contact with wheel guard and base.**

### 2. Disassembling

Follow the above procedures in reverse.

## MAINTENANCE AND INSPECTION

**⚠ WARNING:** Be sure to switch power OFF and disconnect the plug from the receptacle during maintenance and inspection.

### 1. Inspecting the cutting wheel

Ensure that the cutting wheel is free of cracks and surface defects.

### 2. Inspecting the mounting screws

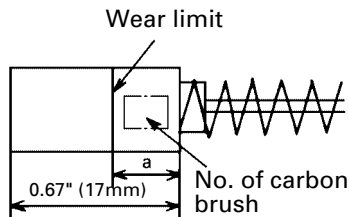
Regularly inspect all mounting screws and ensure that they are properly tightened. Should any of the screws be loosened, retighten them immediately.

**⚠ WARNING:** Using this cut-off machine with loosened screws is extremely dangerous.

3. Inspecting the carbon brushes (Fig. 4)

The Motor employs carbon brushes which are consumable parts. When they become worn to or near the "wear limit", it could result in motor trouble. When an auto-stop carbon brush is equipped, the motor will stop automatically. At that time, replace both carbon brushes with new ones which have the same carbon brush Numbers shown in the figure. In addition, always keep carbon brushes clean and ensure that they slide freely within the brush holders.

**NOTE:** Use HITACHI carbon brush number indicated in Fig. 4



	a	No. of carbon brush
Usual carbon brush	0.24" (6 mm)	44
Auto-stop carbon brush	0.28" (7 mm)	74

4. Replacing carbon brushes

Disassemble the brush caps with a slotted-head screwdriver. The carbon brushes can then be easily removed.

Fig. 4

**SERVICE AND REPAIRS**

All quality power tools will eventually require servicing or replacement of parts because of wear from normal use. To assure that only authorized replacement parts will be used, all service and repairs must be performed by a HITACHI AUTHORIZED SERVICE CENTER, ONLY.

**NOTE:**

Specifications are subject to change without any obligation on the part of the HITACHI.

---

## **INFORMATIONS IMPORTANTES**

---

Lire et comprendre toutes les instructions de fonctionnement, les précautions de sécurité et les avertissements dans ce mode d'emploi avant d'utiliser ou d'entretenir cet outil motorisé.

La plupart des accidents causés lors de l'utilisation ou de l'entretien de l'outil motorisé proviennent d'un non respect des règles ou précautions de base de sécurité. Un accident peut la plupart du temps être évité si l'on reconnaît une situation de danger potentiel avant qu'elle ne se produise, et en observant les procédures de sécurité appropriées.

Les précautions de base de sécurité sont mises en évidence dans la section "SECURITE" de ce mode d'emploi et dans les sections qui contiennent les instructions de fonctionnement et d'entretien.

Les dangers qui doivent être évités pour prévenir des blessures corporelles ou un endommagement de la machine sont identifiés par AVERTISSEMENTS sur l'outil motorisé et dans ce mode d'emploi.

Ne jamais utiliser cet outil motorisé d'une manière qui n'est pas spécifiquement recommandée par HITACHI sans avoir d'abord vérifié que l'utilisation prévue est sans danger pour vous et les autres.

---

## **SIGNIFICATION DES MOTS D'AVERTISSEMENT**

---

**AVERTISSEMENT** indique des situations potentiellement dangereuses qui, si elles sont ignorées, pourraient entraîner de sérieuses blessures personnelles.

**PRECAUTION** indique des situations dangereuses qui, si elles sont ignorées, pourrait entraîner de légères blessures personnelles ou endommager la machine.

**REMARQUE** met en relief des informations essentielles.

# SECURITE

## CONSIGNES DE SECURITE IMPORTANTES POUR L'UTILISATION DE TOUS LES OUTILS ELECTRIQUES

**⚠ AVERTISSEMENT:** Une utilisation incorrecte ou dangereuse des outils électriques peut entraîner la mort ou des blessures graves.

### LIRE TOUT CE MODE D'EMPLOI.

#### 1. NE JAMAIS TOUCHER LES PARTIES MOBILES.

Ne jamais placer ses mains, ses doigts ou toute autre partie de son corps près des parties mobiles de l'outil.

#### 2. NE JAMAIS UTILISER L'OUTIL SANS QUE TOUS LES DISPOSITIFS DE SECURITE NE SOIENT EN PLACE.

Ne jamais faire fonctionner cet outil sans que tous les dispositifs et caractéristiques de sécurité ne soient en place et en état de fonctionnement. Si un entretien ou une réparation nécessite le retrait d'un dispositif ou d'une caractéristique de sécurité, s'assurer de bien remettre en place le dispositif ou la caractéristique de sécurité avant de recommencer à utiliser l'outil.

#### 3. TOUJOURS SE PROTEGER LES YEUX ET LES OREILLES.

Pour se protéger des projections de copeaux de bois, particules métalliques ou autres débris, porter des lunettes de protection ou un masque pour les yeux. Porter des protections anti-bruit pour se protéger du bruit.

#### 4. SE PROTEGER CONTRE LES DECHARGES ELECTRIQUES.

Empêcher tout contact du corps avec les surfaces mises à la terre, par exemple tuyaux, radiateurs, plaques de cuisson et enceintes de réfrigération. Ne jamais faire fonctionner l'outil dans un endroit humide ou mouillé.

#### 5. DEBRANCHER LES OUTILS.

Ne jamais laisser l'outil branché dans une source d'alimentation. Toujours débrancher l'outil de la source d'alimentation avant tout travail de réparation, d'inspection, d'entretien, de nettoyage, de remplacement ou de vérification des pièces.

#### 6. EVITER TOUTE MISE EN MARCHE INOPINEE.

Ne pas transporter l'outil pendant qu'il est raccordé à la source d'alimentation. Ne pas transporter l'outil avec le doigt près de l'interrupteur d'alimentation. Bien s'assurer que l'interrupteur d'alimentation se trouve sur la position "OFF" (arrêt) avant de raccorder l'outil à la source d'alimentation.

#### 7. REMISER L'OUTIL CORRECTEMENT.

Lorsqu'on ne se sert pas de l'outil, le remiser dans un endroit sec. Veiller à ce qu'il soit hors d'atteinte des enfants. Fermer le local de remisage à clé.

#### 8. MAINTENIR L'AIRE DE TRAVAIL PROPRE.

Les aires de travail et les établis encombrés favorisent les accidents. Débarrasser l'aire de travail et les établis des outils inutiles, débris, meubles, etc.



**9. CONSIDERER L'ENVIRONNEMENT DE L'AIRE DE TRAVAIL.**

Ne pas exposer les outils à la pluie. Ne pas les utiliser dans un endroit humide ou mouillé. Veiller à ce que l'aire de travail soit bien éclairée et bien aérée.

Ne pas utiliser l'outil en présence de liquides ou de gaz inflammables.

Les outils projettent des étincelles pendant qu'ils fonctionnent. Ne jamais utiliser les outils dans un lieu renfermant de la laque, de la peinture, du diluant, de l'essence, des gaz, des produits adhésifs ni aucun autre matériau combustible ou explosif.

**10. ELOIGNER LES ENFANTS.**

Ne pas laisser les visiteurs toucher l'outil ou le cordon de rallonge.

Tous les visiteurs devront être suffisamment éloignés de l'aire de travail.

**11. NE PAS FORCER L'OUTIL.**

Il effectuera le travail le meilleur et avec la sécurité maximale au régime pour lequel il a été conçu.

**12. UTILISER L'OUTIL CORRECT**

Ne pas forcer sur un petit outil ou accessoire pour faire le travail d'un outil de grande puissance. Ne pas utiliser un outil pour un usage pour lequel il n'a pas été prévu: par exemple, ne pas utiliser une scie circulaire pour couper des branches d'arbre ou des bûches.

**13. SE VETIR CORRECTEMENT.**

Ne pas porter de vêtements lâches ni de bijoux. Ils pourraient se prendre dans les pièces en mouvement. Il est recommandé de porter des gants en caoutchouc et des chaussures anti-glissantes lors d'un travail à l'extérieur.

Porter un couvre-chef qui recouvre les cheveux longs.

**14. PORTER UN MASQUE, UN MASQUE ANTI-POUSSIÈRE OU UN APPAREIL RESPIRATOIRE SI LE TRAVAIL DOIT DEGAGER DE LA POUSSIÈRE.**

Toutes les personnes présentes sur l'aire de travail devront également porter un masque, un masque anti-poussière ou un appareil respiratoire.

**15. NE PAS MALTRAITER LE CORDON.**

Ne jamais transporter l'outil par le cordon ni tirer brusquement sur le cordon pour le débrancher.

Eloigner le cordon de la chaleur, de la graisse et des surfaces tranchantes.

**16. FIXER LA PIÈCE.**

Utiliser des dispositifs de serrage ou un étau pour tenir la pièce. Cela sera plus sûr que de tenir la pièce à la main et libérera les deux mains pour le travail.

**17. NE PAS TROP SE PENCHER.**

Garder une bonne assise et un bon équilibre à tout moment.

**18. ENTREtenir LES OUTILS AVEC SOIN.**

Maintenir les outils aiguisés et propres pour optimiser le travail et la sécurité.

Suivre les instructions de graissage et de remplacement des accessoires.

Vérifier périodiquement les cordons d'outil et les faire réparer par un centre de réparation agréé s'ils sont endommagés. Vérifier périodiquement les cordons de rallonge et les faire remplacer s'ils sont endommagés. Maintenir les poignées sèches et propres, et enlever toute graisse et toute huile dessus.

**19. RETIRER LES CLAVETTES DE REGLAGE ET LES CLES.**

Les clés et les clavettes de réglage devront être retirées de l'outil avant de sa mise en marche.

**20. CORDONS DE RALLONGE POUR UTILISATION A L'EXTERIEUR.**

Si l'outil doit être utilisé dehors, utiliser exclusivement des cordons de rallonge conçus pour un usage extérieur et marqués à cet effet.

**21. RESTER SUR SES GARDES.**

Bien faire attention à ce que l'on fait. Faire preuve de bon sens. Ne pas utiliser l'outil lorsqu'on est fatigué.

Ne jamais utiliser l'outil si l'on est sous l'influence d'alcool, de drogues ou de médicaments qui rendent somnolent.

**22. VERIFIER S'IL Y A DES PIECES ENDOMMAGEES.**

Avant de continuer à utiliser l'outil, inspecter attentivement les protections ou autres pièces endommagées pour voir si l'outil pourra fonctionner correctement et effectuer le travail pour lequel il est conçu. Vérifier l'alignement et le couplage des pièces mobiles, le voilage des pièces mobiles, la présence de pièces cassées, le montage, et toute autre condition susceptible d'affecter le bon fonctionnement.

Si une protection ou une pièce est endommagée, la faire réparer ou remplacer par un service après-vente agréé, sauf spécification contraire dans ce mode d'emploi.

Faire remplacer les interrupteurs défectueux par un centre de réparation agréé.

Ne pas utiliser l'outil si l'interrupteur ne fonctionne pas.

**23. NE JAMAIS UTILISER UN OUTIL MOTORISE POUR DES APPLICATIONS AUTRES QUE CELLES SPECIFIEES.**

Ne jamais utiliser un outil motorisé pour des applications autres que celles spécifiées dans le mode d'emploi.

**24. MANIPULER L'OUTIL CORRECTEMENT**

Utiliser l'outil de la façon indiquée dans ce mode d'emploi. Ne pas laisser tomber ou lancer l'outil. Ne jamais permettre que l'outil soit utilisé par des enfants, des personnes non familiarisées avec son fonctionnement ou un personnel non autorisé.

**25. VERIFIER S'IL Y A DES FILS SOUS TENSION.**

Pour éviter tout risque de choc électrique grave, vérifier s'il y a des fils électriques sous tension encastrés dans le mur, le plancher ou le plafond. Couper l'alimentation des fils avant le travail.

**26. MAINTENIR TOUTES LES VIS, TOUS LES BOULONS ET LES COUVERCLES FERMEMENT EN PLACE.**

Maintenir toutes les vis, tous les boulons et les couvercles fermement montés. Vérifier leurs conditions périodiquement.

**27. NE PAS UTILISER LES OUTILS MOTORISES SI LE REVETEMENT DE PLASTIQUE OU LA POIGNEE EST FENDU.**

Des fentes dans le revêtement ou la poignée peuvent entraîner une électrocution. De tels outils ne doivent pas être utilisés avant d'être réparés.

**28. LES LAMES ET LES ACCESSOIRES DOIVENT ETRE FERMEMENT MONTES SUR L'OUTIL.**

Eviter les blessures potentielles personnelles et aux autres. Les lames, les instruments de coupe et les accessoires qui ont été montés sur l'outil doivent être fixés et serrés fermement.

**29. GARDER PROPRES LES EVENTS D'AIR DU MOTEUR**

Les événements d'air du moteur doivent être maintenus propres de façon que l'air puisse circuler librement tout le temps. Vérifier les accumulations de poussière fréquemment.

**30. UTILISER L'OUTIL MOTORISÉ À LA TENSION NOMINALE.**

Utiliser l'outil motorisé à la tension spécifiée sur sa plaque signalétique.

Si l'on utilise l'outil motorisé avec une tension supérieure à la tension nominale, il en résultera une rotation anormalement trop rapide du moteur et cela risque d'endommager l'outil et le moteur risque de griller.

**31. NE JAMAIS UTILISER UN OUTIL DÉFECTUEUX OU QUI FONCTIONNE ANORMALEMENT.**

Si l'outil n'a pas l'air de fonctionner normalement, fait des bruits étranges ou sans cela paraît défectueux, arrêter de l'utiliser immédiatement et le faire réparer par un centre de service Hitachi autorisé.

**32. NE JAMAIS LAISSER FONCTIONNER L'OUTIL SANS SURVEILLANCE. LE METTRE HORS TENSION.**

Ne pas abandonner l'outil avant qu'il ne soit complètement arrêté.

**33. MANIPULER L'OUTIL MOTORISÉ AVEC PRÉCAUTION.**

Si un outil motorisé tombe ou frappe un matériau dur accidentellement, il risque d'être déformé, fendu ou endommagé.

**34. NE PAS ESSUYER LES PARTIES EN PLASTIQUE AVEC DU SOLVANT.**

Les solvants comme l'essence, les diluants, la benzine, le tétrachlorure de carbone et l'alcool peuvent endommager et fissurer les parties en plastique. Ne pas les essuyer avec de tels solvants.

Essuyer les parties en plastique avec un chiffon doux légèrement imbibé d'une solution d'eau savonneuse et sécher minutieusement.

**35. UTILISER EXCLUSIVEMENT DES PIÈCES DE RECHANGE HITACHI D'ORIGINE.**

Les pièces de rechange non fabriquées par Hitachi risquent d'annuler la garantie et d'entraîner un mauvais fonctionnement et des blessures. Les pièces Hitachi d'origine sont disponibles auprès de son concessionnaire.

---

## CONSIGNES DE SECURITE IMPORTANTES POUR L'UTILISATION DE LA TRONÇONNEUSE À DISQUE

---

**⚠ AVERTISSEMENT** : Une utilisation incorrecte ou qui ne respecte pas les consignes de sécurité de la tronçonneuse à disque peut entraîner la mort ou des blessures graves. Pour éviter tout danger, observer ces consignes de sécurité élémentaires :

1. Ne jamais utiliser cet outil électrique sans ouvre-meule.
2. N'utiliser les meules à découper qu'à une "vitesse sûre" au moins aussi élevée que le "régime moteur à vide" indiqué sur la plaquette signalétique de l'outil électrique.

---

## PIECES DE RECHANGE

---

Pour les réparations, utiliser exclusivement des pièces de rechange identiques. Les réparations devront être effectuées exclusivement par un centre de service après-vente Hitachi agréé.

---

## FICHES POLARISEES

---

Pour réduire tout risque de choc électrique, l'appareil possède une fiche polarisée (l'une des lames est plus large que l'autre).

Cette fiche ne rentrera dans une prise polarisée que dans un sens.

Si la fiche ne rentre pas dans la prise, l'inverser.

Si elle ne rentre toujours pas, faire installer une prise appropriée par un électricien qualifié.

Ne pas modifier la fiche de quelque façon que ce soit.

## UTILISATION D'UN CORDON DE RALLONGE

Utiliser exclusivement un cordon de rallonge en bon état. Lorsqu'on utilise un cordon de rallonge, veiller à ce qu'il soit suffisamment lourd pour supporter le courant dont l'appareil aura besoin. Un cordon trop petit provoquera une chute de la tension de ligne, ce qui entraînera une perte de puissance et une surchauffe. Le tableau indique le calibre à utiliser en fonction de la longueur du cordon et de l'intensité nominale indiquée sur la plaque signalétique. En cas de doute, utiliser un calibre supérieur. Plus le numéro du calibre est petit, plus le cordon est lourd.

### CALIBRE MINIMUM DES CORDONS

		Longueur totale de cordon en pieds (mètres)			
		0 – 25 (0 – 7,6)	26 – 50 (7,9 – 15,2)	51 – 100 (15,5 – 30,5)	101 – 150 (30,8 – 45,7)
Intensité nominale		CALIBRE			
Supérieure à	Non supérieure à				
0 – 6	18	16	16	14	14
6 – 10	18	16	16	14	12
10 – 12	16	16	16	14	12
12 – 16	14	12	12	Non recommandé	

**⚠ AVERTISSEMENT:** Éviter tout risque de choc électrique. Ne jamais utiliser l'outil avec un cordon électrique ou un cordon de rallonge endommagé ou dénudé.

Inspecter régulièrement les cordons électriques. Ne jamais utiliser dans l'eau ou à proximité d'eau, ni dans un environnement susceptible de provoquer un choc électrique.

## **DOUBLE ISOLATION POUR UN FONCTIONNEMENT PLUS SUR**

Pour assurer un fonctionnement plus sûr de cet outil motorisé, HITACHI a adopté une conception à double isolation. "Double isolation" signifie que deux systèmes d'isolation physiquement séparés ont été utilisés pour isoler les matériaux conducteurs d'électricité connectés à l'outil motorisé à partir du cadre extérieur manipulé par l'utilisateur. C'est pourquoi, le symbole "☐" ou les mots "Double isolation" (double isolation) apparaissent sur l'outil motorisé ou sur la plaque signalétique.

Bien que ce système n'ait pas de mise à terre extérieure, il est quand même nécessaire de suivre les précautions de sécurité électrique données dans ce mode d'emploi, y-compris de ne pas utiliser l'outil motorisé dans un environnement humide.

Pour garder le système de double isolation effectif, suivre ces précautions:

- Seuls les CENTRES DE SERVICE AUTORISES HITACHI peuvent démonter et remonter cet outil motorisé et uniquement des pièces de rechange HITACHI garanties d'origine doivent être utilisées.
- Nettoyer l'extérieur de l'outil motorisé uniquement avec un chiffon doux légèrement imbibé d'une solution savonneuse et essuyer minutieusement.  
Ne jamais utiliser des solvants, de l'essence ou des diluants sur les parties en plastique; sinon le plastique risquerait de se dissoudre.

**CONSERVER CES INSTRUCTIONS  
ET  
LES METTRE A LA DISPOSITION  
DES AUTRES UTILISATEURS  
DE CET OUTIL!**

# UTILISATION ET ENTRETIEN

## REMARQUE:

Les informations contenues dans ce mode d'emploi sont conçues pour assister l'utilisateur dans une utilisation sans danger et un entretien de l'outil motorisé.

Certaines illustrations dans ce mode d'emploi peuvent montrer des détails ou des accessoires différents de ceux de l'outil motorisé utilisé.

## NOM DES PARTIES

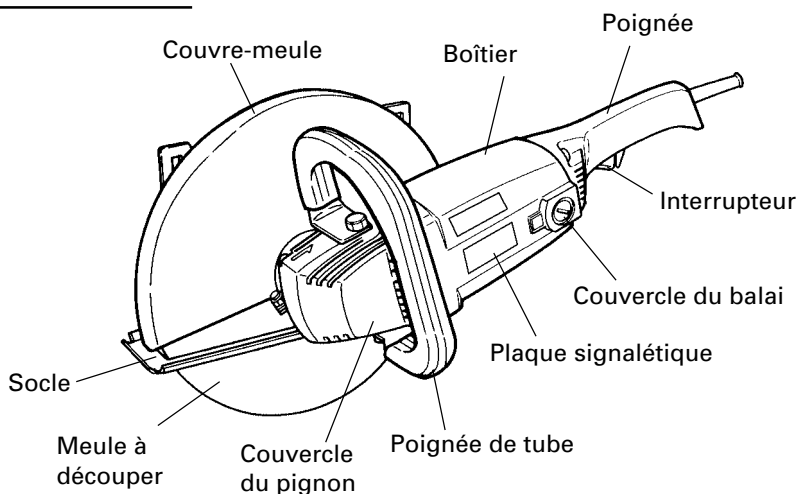


Fig. 1

## SPECIFICATIONS

Modèle		Moteur série monophasé à collecteur
Source d'alimentation		Secteur, 115V 60 Hz, monophasé
Courant		15A
Vitesse sans charge		5000rpm
Meule	Diamètre extérieur × diamètre du trou central	12" (305 mm) × 1" (25,4 mm)
	Vitesse périphérique	16000 ft/min (4800 m/min)
Poids		24 lbs (10,8 kg)

---

## APPLICATIONS

---

- Coupe de plaque de métal, béton, bloc de scories, tige de renforcement, maille pour béton, sol ondulé, coffrage de toit.

---

## AVANT L'UTILISATION

---

### 1. Source d'alimentation

S'assurer que la source d'alimentation qui doit être utilisée est conforme à la source d'alimentation requise spécifiée sur la plaque signalétique du produit.

### 2. Interrupteur d'alimentation

S'assurer que l'interrupteur est sur la position OFF (arrêt). Si la fiche est connectée sur une prise alors que l'interrupteur est sur la position ON (marche), l'outil motorisé démarrera immédiatement risquant de causer de sérieuses blessures.

### 3. Cordon prolongateur

Quand la zone de travail est éloignée de la source d'alimentation, utiliser un cordon prolongateur d'épaisseur et de capacité nominale suffisante. Le cordon prolongateur doit être aussi court que possible.

**⚠ AVERTISSEMENT: Tout cordon endommagé devra être remplacé ou réparé.**

### 4. Vérifier la prise

Si la prise reçoit la fiche avec beaucoup de jeu, elle doit être réparée. Contacter un électricien licencié pour réaliser les réparations nécessaires.

Si une telle prise défectueuse est utilisée, elle peut causer une surchauffe entraînant des dangers sérieux.



5. Vérification des conditions d'environnement

Vérifier que l'état de l'aire de travail est conforme aux précautions.

6. Mise en place et réglage du couvre-meule

Le couvre-meule est un dispositif de protection destiné à éviter toute blessure dans l'éventualité où la meule en éclats pendant son utilisation. Avant de commencer le travail, s'assurer que le couvre-meule est bien mis en place et bien fixé. En desserrant légèrement la vis de réglage, il est possible de tourner et de régler le couvre-meule dans n'importe quel angle permettant d'optimiser l'efficacité de travail. S'assurer que la vis de réglage est bien serrée après avoir réglé le couvre-meule.

7. Meule à découper

S'assurer que la meule utilisée est le type correct et qu'elle ne présente aucune fissure ni de défauts de surface. S'assurer également que la meule est correctement mise en place et que l'écrou de meule est bien serré. Se reporter à la section intitulée "montage de la meule à découper".

8. Faire une marche d'essai

Avant de commencer à découper, il convient de faire une marche d'essai de la machine dans un endroit sûr permettant de s'assurer que la machine est correctement montée et que la meule ne présente aucun défaut apparent.

Les temps de marche d'essai préconisés sont comme suit:

Après avoir remplacé une meule à découper

..... 3 minutes ou plus

Avant de commencer le travail routinier

..... 1 minute ou plus

9. Contrôle de la goupille de blocage

Contrôler que la goupille de blocage est bien dégagée en poussant deux ou trois fois sur celle-ci avant de mettre l'appareil sous tension (voir Fig. 2).

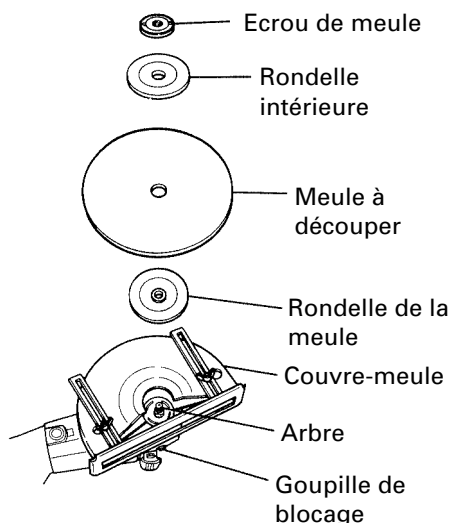


Fig. 2

## APPLICATIONS PRATIQUES DE LA TRONÇONNEUSE À DISQUE

1. Force de découpe

Pour prolonger la longévité de la tronçonneuse et obtenir des finitions de première classe, il est important de ne pas surcharger l'appareil en appliquant une force trop grande sur celui-ci.

2. Précautions à prendre immédiatement après utilisation

Après avoir mis la tronçonneuse hors tension, ne pas poser l'appareil tant que la meule à découper ne s'est pas complètement arrêtée. En plus d'éviter les accidents graves, ces précautions permettent de réduire la quantité de poussière et de boue de meule aspirées à l'intérieur de la machine.

**⚠ PRECAUTION:**

Après le fonctionnement, toujours placer la machine de manière à ce que la meule à découper se présente vers le haut.

Quand la machine n'est pas utilisée, il convient de débrancher la source électrique.

## MONTAGE DE LA MEULE A DECOUPER

### 1. Montage (Fig. 2 et 3)

- (1) Retourner la machine de manière à avoir l'arbre dirigé vers le haut.
- (2) Poser la rondelle de meule sur l'arbre.
- (3) Ajuster la saillie de la meule à découper sur la rondelle de meule.
- (4) Poser la rondelle intérieure sur la meule à découper et visser l'écrou de meule sur l'arbre.
- (5) Introduire la goupille de blocage pour empêcher la rotation de l'arbre et serrer l'écrou de meule avec la clé accessoire, comme le représente la Fig. 2.

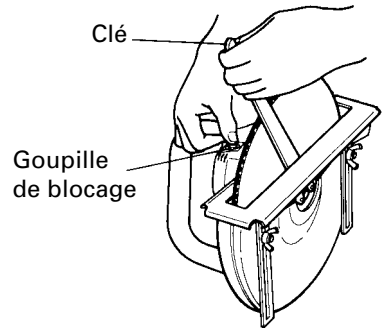


Fig. 3

**⚠ PRECAUTION:**

Après avoir fixé la meule à découper, s'assurer qu'elle n'entre pas en contact avec le couvre-meule et l'embase.

### 2. Démontage

Suivre la procédure susmentionnée dans l'ordre inverse.

## ENTRETIEN ET INSPECTION

**⚠ AVERTISSEMENT:** S'assurer de mettre l'interrupteur d'alimentation sur la position OFF et de déconnecter la fiche de la prise secteur avant l'entretien et l'inspection.

### 1. Inspection de la meule à découper

S'assurer que la meule à découper ne présente aucune fissure ni de défauts de surface.

### 2. Inspection des vis de montage

Inspecter régulièrement toutes les vis de montage et s'assurer qu'elles sont correctement serrées. Si l'une des vis était desserrée, la resserrer immédiatement.

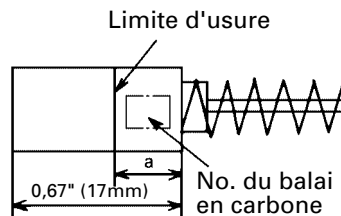
**⚠ AVERTISSEMENT:** Il serait extrêmement dangereux d'utiliser la tonçonneuse à disque avec des vis desserrées.

### 3. Contrôle des balais en carbone (Fig. 4)

Le moteur utilise des balais en carbone qui sont des pièces qui s'usent. Quand ils sont usés ou près de la "limite d'usure", il pourra en résulter un mauvais fonctionnement du moteur.

Quand le moteur est équipé d'un balai en carbone à arrêt automatique, il s'arrêtera automatiquement. Remplacez alors les balais en carbone par des nouveaux et ayant les mêmes numéros que ceux montrés sur la figure. En outre, toujours tenir les balais propres et veiller à ce qu'ils coulissent librement dans les supports.

**REMARQUE :** Utiliser le balai en carbone HITACHI No. indiqué sur la Fig. 4.



	a	No. du balai en carbone
Balai carbone ordinaire	0,24" (6 mm)	44
Balai carbone à arrêt automatique	0,28" (7 mm)	74

Fig. 4

### 4. Remplacement d'un balai en carbone

Retirer le couvercle du balai avec un tournevis plat. Le balai en carbone peut être alors facilement retiré.

## ENTRETIEN ET REPARATION

Tous les outils motorisés de qualité auront éventuellement besoin d'une réparation ou du remplacement d'une pièce à cause de l'usure normale de l'outil. Pour assurer que seules des pièces de rechange autorisées seront utilisées, tous les entretiens et les réparations doivent être effectués uniquement par UN CENTRE DE SERVICE HITACHI AUTORISE.

### REMARQUE:

Les spécifications sont sujettes à modification sans aucune obligation de la part de HITACHI.

---

## INFORMACIÓN IMPORTANTE

---

Antes de utilizar o realizar cualquier trabajo de mantenimiento de esta herramienta eléctrica, lea y comprenda todas las instrucciones de operación, las precauciones de seguridad, y las advertencias de este Manual de instrucciones.

La mayoría de los accidentes producidos en la operación y el mantenimiento de una herramienta eléctrica se deben a la falta de observación de las normas o precauciones de seguridad. Los accidentes normalmente podrán evitarse reconociendo una situación potencialmente peligrosa a tiempo y siguiendo los procedimientos de seguridad apropiados.

Las precauciones básicas de seguridad se describen en la sección "SEGURIDAD" de este Manual de instrucciones y en las secciones que contienen las instrucciones de operación y mantenimiento.

Para evitar lesiones o el daño de la herramienta eléctrica, los riesgos están identificados con ADVERTENCIAS en dicha herramienta y en este Manual de instrucciones.

No utilice nunca esta herramienta eléctrica de ninguna forma no específicamente recomendada por HITACHI a menos que usted se haya asegurado de que la utilización planeada será segura para usted y otras personas.

---

## SIGNIFICADO DE LAS PALABRAS DE SEÑALIZACIÓN

---

**ADVERTENCIA** indica situaciones potencialmente peligrosas que, si se ignoran, pueden resultar en lesiones serias.

**PRECAUCIÓN** indica situaciones potencialmente peligrosas que, si se ignoran, pueden resultar en lesiones moderadas, o que pueden causar averías en la herramienta eléctrica.

**NOTA** acentúa información esencial.

# SEGURIDAD

## INSTRUCCIONES IMPORTANTES DE SEGURIDAD PARA UTILIZACIÓN DE TODAS LAS HERRAMIENTAS ELÉCTRICAS

**⚠ ADVERTENCIA:** La utilización inadecuada de las herramientas eléctricas puede resultar en lesiones serias o en la muerte.  
Para evitar estos riesgos, siga las instrucciones de seguridad ofrecidas a continuación.

### LEA TODAS LAS INSTRUCCIONES.

#### 1. NO TOQUE NUNCA LAS PIEZAS MÓVILES.

No coloque nunca sus manos, dedos, ni demás partes del cuerpo cerca de las piezas móviles de la herramienta.

#### 2. NO UTILICE NUNCA LA HERRAMIENTA SIN LOS PROTECTORES COLOCADOS EN SU LUGAR.

No utilice nunca esta herramienta sin los protectores de seguridad correctamente instalados. Si el trabajo de mantenimiento o de reparación requiere el desmontaje de un protector de seguridad, cerciórese de volver a instalarlo antes de utilizar la herramienta.

#### 3. COLÓQUESE SIEMPRE GAFAS Y PROTECTORES PARA LOS OÍDOS.

Protéjase contra las virutas, las partículas metálicas, y demás desperdicios que puedan salir disparados utilizando gafas u otro protector de los ojos equivalente. Utilice protectores para los oídos como medida de protección contra el ruido excesivo.

#### 4. PROTÉJASE CONTRA LAS DESCARGAS ELÉCTRICAS.

Evite que su cuerpo entre en contacto con superficies puestas a tierra tales como tubos, radiadores, y conductos de refrigeración. No utilice nunca ninguna herramienta en lugares húmedos.

#### 5. DESCONECTE LAS HERRAMIENTAS.

No deje nunca ninguna herramienta conectada a la fuente de alimentación. Desconecte siempre las herramientas de la fuente de alimentación antes de repararlas, inspeccionarlas, limpiarlas, y antes de cambiar o comprobar cualquier pieza.

#### 6. EVITE EL ARRANQUE ACCIDENTAL.

No transporte nunca ninguna herramienta mientras esté conectada a la fuente de alimentación. No transporte ninguna herramienta con un dedo cerca del interruptor de alimentación. Cerciórese de que el interruptor de alimentación esté en la posición de "desconexión" antes de conectar una herramienta a su fuente de alimentación.

#### 7. GUARDE LAS HERRAMIENTAS ADECUADAMENTE.

Cuando no vaya a utilizar una herramienta, guárdela en un lugar seco. Mantenga las herramientas fuera del alcance de los niños. Cierre el área de almacenamiento.

#### 8. MANTENGA EL ÁREA DE TRABAJO LIMPIA.

Las áreas y bancos de trabajo desordenados pueden conducir a lesiones. Limpie bien las áreas y bancos de trabajo, quitando las herramientas innecesarias, los desperdicios, muebles, etc.

**9. TENGA EN CONSIDERACIÓN EL MEDIO AMBIENTE DEL ÁREA DE TRABAJO.**

No exponga las herramientas eléctricas a la lluvia. No utilice las herramientas eléctricas en lugares húmedos. Mantenga el área de trabajo bien iluminada y ventilada.

No utilice las herramientas eléctricas donde haya líquidos o gases inflamables.

Las herramientas eléctricas producen chispas durante su funcionamiento. También producirán chispas cuando conecte/desconecte su alimentación. No utilice nunca las herramientas eléctricas en lugares en los que haya laca, pintura, bencina, diluidor de pintura, gasolina, gases, productos adhesivos, ni demás materiales combustibles o explosivos.

**10. MANTENGA A LOS NIÑOS ALEJADOS.**

No permita que los visitantes entren en contacto con las herramientas ni los cables prolongadores.

Todos los visitantes deberán permanecer alejados del área de trabajo.

**11. NO FUERCE LAS HERRAMIENTAS.**

Por motivos de seguridad, y para realizar el mejor trabajo posible, utilice las herramientas dentro de los límites para los que fueron diseñadas.

**12. UTILICE LA HERRAMIENTA CORRECTA.**

No fuerce herramientas ni accesorios pequeños para realizar un trabajo pesado.

No utilice las herramientas para fines no proyectados, por ejemplo, no utilice esta amoladora angular para cortar madera.

**13. VÍSTASE ADECUADAMENTE.**

No utilice ropa floja ni joyas. Éstas podrían pillarse en las piezas móviles. Para trabajar en exteriores se recomienda utilizar guantes de goma y calzado antideslizante.

Si su pelo es largo, utilice algo que lo recubra.

**14. CUANDO VAYA A TRABAJAR EN UN LUGAR POLVORIENTO, UTILICE UN PROTECTOR PARA LA CARA, UNA MÁSCARA CONTRA EL POLVO, O UNA CRETA ANTIGÁS.**

Todas las personas que trabajen donde se estén utilizando herramientas eléctricas deberán utilizar protectores para la cara, máscaras contra el polvo, o caretas antigás.

**15. NO MALTRATE EL CABLE.**

No transporte nunca una herramienta eléctrica por su cable de alimentación, ni lo desconecte del tomacorriente tirando del mismo.

Mantenga el cable alejado del calor, del aceite, y de bordes cortantes.

**16. ASEGURE LA PIEZA DE TRABAJO.**

Utilice abrazaderas o tornillos de carpintero para asegurar la pieza de trabajo. Esto es más seguro que utilizar una mano, y de esta forma podrá usar ambas manos para emplear la herramienta.

**17. NO SE EXTRALIMITE.**

Mantenga en todo momento un buen equilibrio.

**18. CUIDE LAS HERRAMIENTAS.**

Mantenga las herramientas afiladas y limpias para que puedan rendir al máximo. Siga las instrucciones sobre lubricación y cambio de accesorios.

Inspeccione periódicamente los cables y, si están dañados, haga que sean reparados en un centro de reparaciones autorizado. Inspeccione periódicamente los cables prolongadores y, si están dañados, reemplácelos.

Mantenga las empuñaduras secas, limpias, y sin aceite ni grasa.

**19. quite las llaves de ajuste.**

Antes de conectar la alimentación de una herramienta, quítele las llaves de ajuste.

**20. utilice adecuadamente un cable prolongador en exteriores.**

Cuando vaya a utilizar una herramienta en exteriores, emplee solamente un cable prolongador diseñado para utilización en exteriores.

**21. preste atención.**

Preste atención a lo que esté haciendo. Utilice el sentido común. No utilice ninguna herramienta cuando esté cansado.

Usted no deberá utilizar ninguna herramienta cuando esté bajo la influencia del alcohol, drogas, ni medicinas que le produzca somnolencia.

**22. compruebe las piezas dañadas.**

Antes de utilizar una herramienta, compruebe cuidadosamente los protectores y demás piezas de la misma para determinar si puede funcionar correctamente de la forma para la que fue diseñada. Compruebe la alineación de las piezas móviles, las de sujeción, si hay piezas rotas, el montaje, y demás condiciones que puedan afectar la operación de la herramienta.

Cualquier protector o pieza en malas condiciones deberá repararse adecuadamente, o reemplazarse, en un centro de reparaciones autorizado a menos que se indique otra cosa en este manual de instrucciones.

Cuando tenga que reemplazar interruptores defectuosos, solicite este servicio a un centro de reparaciones autorizado.

No utilice una herramienta cuyo interruptor de alimentación no funcione.

**23. no utilice nunca una herramienta eléctrica para aplicaciones que no sean las especificadas.**

No utilice nunca una herramienta eléctrica para aplicaciones no especificadas en este Manual de instrucciones.

**24. maneje correctamente la herramienta.**

Maneje la herramienta de acuerdo con las instrucciones ofrecidas aquí. No deje caer ni tire la herramienta. No permita nunca que los niños ni otras personas no autorizadas ni familiarizadas con la operación de la herramienta utilicen ésta.

**25. compruebe los cables activos.**

Evite el riesgo de descargas eléctricas comprobando si en las paredes, pisos, o techos hay cables activos. Todos los cables deberán desenergizarse antes de comenzar el trabajo.

**26. mantenga todos los tornillos, pernos, y cubiertas firmemente fijados en su lugar.**

Mantenga todos los tornillos, pernos, y cubiertas firmemente montados. Compruebe periódicamente su condición.

**27. no utilice herramientas eléctricas si la carcasa o la empuñadura de plástico está rajada.**

Las rajaduras en la carcasa o en la empuñadura de plástico pueden conducir a descargas eléctricas. Tales herramientas no deberán utilizarse mientras no se hayan reparado.

**28. las cuchillas y los accesorios deberán montarse con seguridad en la herramienta.**

Evite lesiones personales y de otras personas. Las cuchillas, los accesorios de corte, y demás accesorios montados en la herramienta deberán fijarse con seguridad.

**29. MANTENGA LIMPIO EL CONDUCTO DE VENTILACIÓN DEL MOTOR.**

El conducto de ventilación del motor limpio para que el aire pueda circular libremente en todo momento. Compruebe frecuentemente y limpie el polvo acumulado.

**30. UTILICE LAS HERRAMIENTAS ELÉCTRICAS CON LA TENSIÓN DE ALIMENTACIÓN NOMINAL.**

Utilice las herramientas eléctricas con las tensiones indicadas en sus placas de características.

La utilización de una herramienta eléctrica con una tensión superior a la nominal podría resultar en revoluciones anormalmente altas del motor, en el daño de la herramienta, y en la quemadura del motor.

**31. NO UTILICE NUNCA UNA HERRAMIENTA DEFECTUOSA O QUE FUNCIONE ANORMALMENTE.**

Si la herramienta parece que funciona anormalmente, produciendo ruidos extraños, etc., deje inmediatamente de utilizarla y solicite su arreglo a un centro de reparaciones autorizado por Hitachi.

**32. NO DEJE NUNCA LA HERRAMIENTA EN FUNCIONAMIENTO DESATENDIDA. DESCONECTE SU ALIMENTACIÓN.**

No deje sola la herramientas hasta mientras no se haya parado completamente.

**33. MANEJE CON CUIDADO LAS HERRAMIENTAS ELÉCTRICAS.**

Si una herramienta eléctrica se ha caído o ha chocado inadvertidamente contra materiales duros, es posible que se haya deformado, rajado, o dañado.

**34. NO LIMPIE LAS PARTES DE PLÁSTICO CON DISOLVENTE.**

Los disolventes, como gasolina, diluidor de pintura, bencina, tetracloruro de carbono, y alcohol pueden dañar o rajar las partes de plástico. No las limpie con tales disolventes. Limpie las partes de plástico con un paño suave ligeramente humedecido en agua jabonosa y después séquelas bien.

**35. UTILICE SOLAMENTE PIEZAS DE REEMPLAZO GENUINAS DE HITACHI.**

Las piezas de reemplazo no fabricadas por Hitachi pueden anular su garantía, provocar el mal funcionamiento, y resultar en lesiones. Su proveedor dispone de piezas de repuesto Hitachi genuinas.



---

## **INSTRUCCIONES IMPORTANTES DE SEGURIDAD PARA UTILIZACIÓN DEL TRONZADORA**

---

**⚠ ADVERTENCIA:** La utilización inadecuada de las herramientas eléctricas puede resultar en lesiones serias o en la muerte.  
Para evitar estos riesgos, siga las instrucciones de seguridad ofrecidas a continuación.

1. No operar nunca estas herramientas mecánicas sin protecciones para las muelas.
2. Utilizar solamente las muelas de corte a una velocidad segura al menos tan alta como las "rpm sin carga" indicada en la placa de características de la herramienta.

---

## **PIEZAS DE REEMPLAZO**

---

Para la reparación de una herramienta, utilice solamente piezas de reemplazo idénticas. las reparaciones solamente deberán realizarse en un centro de servicio autorizado por Hitachi.

---

## **ENCHUFES POLARIZADOS**

---

Para reducir el riesgo de descargas eléctricas, este equipo posee un enchufe polarizado (una cuchilla del mismo es más amplia que la otra).

Este enchufe solamente encajará de una forma en un tomacorriente polarizado.

Si el enchufe no encaja en el tomacorriente, póngase en contacto con un electricista cualificado para que le instale el tomacorriente apropiado.

No cambie nunca el enchufe del cable de alimentación.

## UTILIZACIÓN DE UN CABLE PROLONGADOR

Cerciórese de que el cable prolongador esté en buenas condiciones. Cuando utilice un cable prolongador, cerciórese de que tenga el calibre (grosor) suficiente como para poder conducir la corriente necesaria para la herramienta. Un cable de calibre inferior causaría la caída de tensión, lo que resultaría en pérdida de potencia y en recalentamiento. En la tabla siguiente se indica el calibre correcto de acuerdo con la longitud del cable y la indicación de amperaje de la tabla de características. Cuando menor sea el número de calibre, mayor será el cable.

### CALIBRE MÍNIMO PARA CABLES

		Longitud total del cable en pies (metros)			
		0 – 25 (0 – 7,6)	26 – 50 (7,9 – 15,2)	51 – 100 (15,5 – 30,5)	101 – 150 (30,8 – 45,7)
Amperaje nominal		AWG			
Más de	No más de				
	0 – 6	18	16	16	14
	6 – 10	18	16	14	12
	10 – 12	16	16	14	12
	12 – 16	14	12	No se recomienda.	

**⚠ ADVERTENCIA:** Evite descargas eléctricas. No utilice nunca esta herramienta con un cable de alimentación o prolongador dañado ni reparado. Inspeccione regularmente todos los cables eléctricos. No utilice nunca la herramienta cerca del agua ni en ningún otro lugar en el que exista el riesgo de descargas eléctricas.

## **AISLAMIENTO DOBLE PARA OFRECER UNA OPERACIÓN MÁS SEGURA**

Para garantizar una operación más segura de esta herramienta eléctrica, HITACHI ha adoptado un diseño de aislamiento doble. "Aislamiento doble" significa que se han utilizado dos sistemas de aislamiento físicamente separados para aislar los materiales eléctricamente conductores conectados a la fuente de alimentación del bastidor exterior manejado por el operador. Por lo tanto, en la herramienta eléctrica o en su placa de características aparecen el símbolo "⏚" o las palabras "Double insulation" (aislamiento doble).

Aunque este sistema no posee puesta a tierra externa, usted deberá seguir las precauciones sobre seguridad eléctrica ofrecidas en este Manual de instrucciones, incluyendo la no utilización de la herramienta eléctrica en ambientes húmedos.

para mantener efectivo el sistema de aislamiento doble, tenga en cuenta las precauciones siguientes:

- Esta herramienta eléctrica solamente deberá desensamblar y ensamblarla un CENTRO DE REPARACIONES AUTORIZADO POR HITACHI, y solamente deberán utilizarse con ella piezas de reemplazo genuinas de HITACHI.
- Limpie el exterior de la herramienta eléctrica solamente con un paño suave humedecido en agua jabonosa, y después séquela bien.  
No utilice disolventes, gasolina, ni diluidor de pintura para limpiar las partes de plástico, ya que podría disolverlas.

**¡ GUARDE ESTE MANUAL DE  
INSTRUCCIONES  
DONDE  
PUEDAN LEERLO OTRAS  
PERSONAS QUE VAYAN A  
UTILIZAR ESTA HERRAMIENTA!**

# OPERACIÓN Y MANTENIMIENTO

## NOTA:

La información contenida en este Manual de instrucciones ha sido diseñada para ayudarle a utilizar con seguridad y mantener esta herramienta eléctrica.

Algunas ilustraciones de este Manual de Instrucciones pueden mostrar detalles o accesorios diferentes a los de la propia herramienta eléctrica.

## NOMENCLATURA

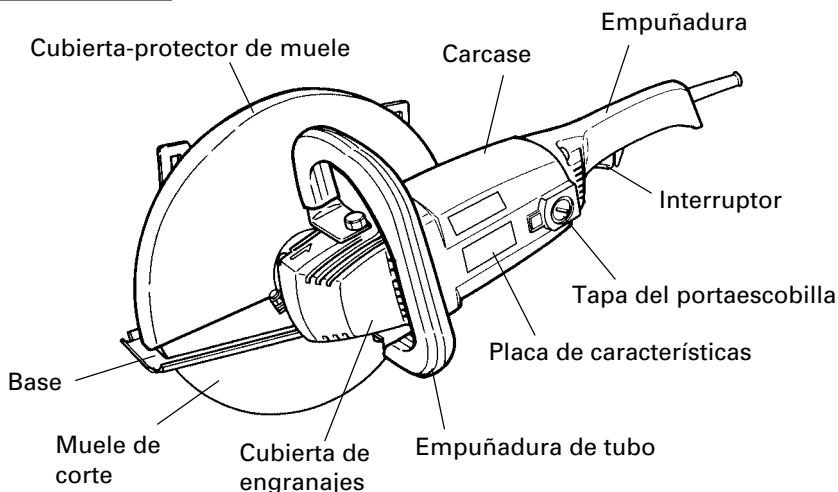


Fig. 1

## ESPECIFICACIONES

Modelo	Motor conmutador en serie monofásico	
Fuente de alimentación	115 V CA, 60 Hz, monofásica	
Corriente	15A	
Velocidad de marcha en vacío	5000rpm	
Muela	Diámetro exterior × diámetro del orificio	12" (305 mm) × 1" (25,4 mm)
	Velocidad periférica	16000 ft/min (4800 m/min)
Peso	24 lbs (10,8 kg)	

## **ANTES DE LA OPERACIÓN**

### **1. Fuente de alimentación**

Cerciórese de que la fuente de alimentación que vaya a utilizar cumpla los requisitos indicados en la placa de características del producto.

### **2. Interruptor de alimentación**

Cerciórese de que el interruptor de alimentación esté en la posición OFF. Si enchufase el cable de alimentación en un tomacorriente de la red con el interruptor en ON, la herramienta eléctrica comenzaría a funcionar inmediatamente, lo que podría provocar lesiones serias.

### **3. Cable prolongador**

Cuando el área de trabajo esté alejada de la fuente de alimentación, utilice un cable prolongador de suficiente grosor y con la capacidad nominal. El cable prolongador deberá mantenerse lo más corto posible.

** ADVERTENCIA: Si un cable esta dañado deberá reemplazar o repararse.**

**4. Comprobación del tomacorriente**

Si el enchufe del cable de alimentación queda flojo en el tomacorriente, habrá que reparar éste. Póngase en contacto con un electricista cualificado para que realice las reparaciones adecuadas.

Si utilizase un tomacorriente en este estado, podría producirse recalentamiento, lo que supondría un riesgo serio.

**5. Confirme las condiciones del medio ambiente.**

Conirme que el lugar de trabajo esté en las condiciones apropiadas de acuerdo con las precauciones descritas.

**6. Colocación y ajuste de la protección de la muela**

La protección de la muela es un dispositivo que sirve para proteger al operario, otra persona, en el caso de que la muela abrasiva se rompa durante la operación. Cerciorarse de que la protección esté bien colocada y prieta antes de comenzar a trabajar con la herramienta. Aflojando ligeramente el tornillo de fijación, la protección de la muela puede girarse y ajustarse en cualquier ángulo deseado para mayor efectividad funcional. Cerciorarse de que el tornillo de fijación esté bien prieto antes de ajustar la protección de la muela.

**7. Muela de corte**

Asegurarse de que la muela abrasiva a ser utilizada sea del tipo correcto y esté libre de ranuras o superficies defectuosas. Asegurarse también de que la muela abrasiva esté montada apropiadamente y que su rueda esté firmemente apretada. Referirse a la sección "Montaje de la muela de corte".

**8. Prueba**

Antes de comenzar la operación de corte, el funcionamiento de la herramienta deberá probarse en un lugar seguro para cerciorarse de que esté bien montada y que la muela abrasiva esté libre de defectos obvios.

La duración recomienda de las pruebas es la siguiente:

Después de cambiar la muela de corte

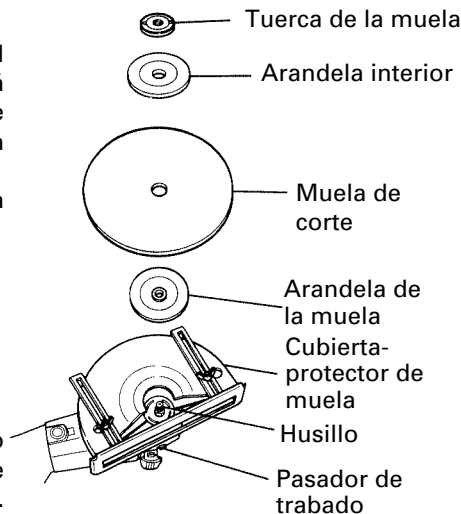
..... 3 minutos o más

Antes de comenzar el trabajo rutinario

..... 1 minuto o más

**9. Confirmar el estado del pasador de trabado**

Confirmar que el pasador de trabado esté suelto presionándolo dos o tres veces antes de encender la alimentación de la herramienta. (Ver la Fig. 2)



**Fig. 2**

## APLICACIONES PRACTICAS

### 1. Fuerza de corte

Paraprolongar la duración de la herramienta y asegurar un acabado de primera clase, es muy importante que la máquina no se sobrecargue aplicándola una fuerza excesiva.

### 2. Precauciones a tomar inmediatamente después de haber finalizado la operación

Después de apagar la herramienta, no apoyarla sobre nada antes de que se pare la muela de corte. Además de evitar serios accidentes, esta precaución reducirá la cantidad de polvo y restos de amolado que puedan introducirse en la herramienta.

### ⚠ PRECAUCIÓN

**Después de finalizada la operación, colocar siempre la máquina de forma que la muela de corte quede hacia arriba.**

**Cuando la herramienta no esté siendo utilizada, la alimentación eléctrica debe desconectarse.**

## MONTAJE DE LA MUELA DE CORTE

### 1. Montaje (Fig. 2 y 3)

- (1) Poner boca abajo la herramienta para que el husillo indique hacia arriba.
- (2) Montar la arandela de la muela en el husillo.
- (3) Colocar la protuberancia de la muela de corte en la arandela de la muela.
- (4) Poner la arandela interior en la muela de corte y atornillar la tuerca de la muela en el husillo.
- (5) Insertar el pasador de trabado para evitar que gire el husillo y apretar la tuerca de la muela con la llave de tuercas como se muestra en la Fig. 2.

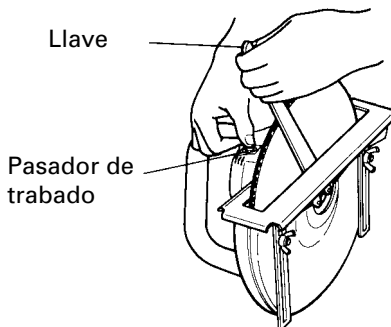


Fig. 3

### ⚠ PRECAUCIÓN

**Después de colocar la muela de corte, comprobar que ésta no entre en contacto con la protección de la muela ni con la base.**

### 2. Desmontaje

Seguir los procedimientos inversos a los del montaje.

## MANTENIMIENTO E INSPECCIÓN

**⚠ ADVERTENCIA:** Antes de realizar el mantenimiento o la inspección de la tronadora, cerciőrese de desconectar la alimentación y de desenchufar el cable de alimentación del tomacorriente.

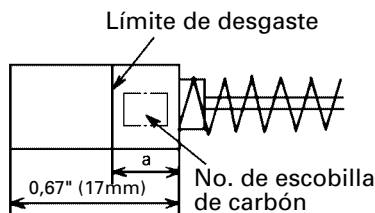
1. Inspección de la muela de corte  
Asegurarse de que la muela de corte esté libre de ranuras y defectos en su superficie.
2. Inspección de los tornillos de montaje  
Inspeccione regularmente todos los tornillos de montaje y asegúrese de que estén apretados adecuadamente. Si hay algún tornillo flojo, apriételo inmediatamente.

**⚠ ADVERTENCIA:** La utilización de este tronzadora con tornillos flojos es extremadamente peligroso.

3. Inspeccionar los carbones de contacto (Fig. 4)

El motor emplea escobillas de carbón que son partes consumibles. Cuando se gastan o están cerca del "límite de desgaste" pueden causar problemas al motor.

Al equiparse la escobilla de carbón de parada automática, el motor se detendrá automáticamente en ese momento hay que proceder a cambiar ambas escobillas de carbón por la nuevas, que tienen los mismos números de escobillas de carbón como se muestra en la figura. Además siempre hay que mantener las escobillas de carbón limpias y asegurarse de que se muevan libremente en sus portaescobillas.



	a	No.de escobilla de carbón
Escobilla de carbón usual	0,24" (6 mm)	44
Escobilla de carbón de parada automática	0,28" (7 mm)	74

Fig. 4

**NOTA:** Utilice las escobillas HITACHI Núm. indicadas en la Fig. 4.

4. Reemplazo de las escobillas

Quite la tapa de la escobilla con un destornillador de punta plana. La escobilla podrá extraerse fácilmente.

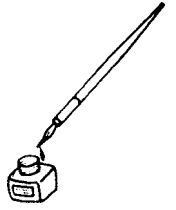
## **MANTENIMIENTO Y REPARACIÓN**

Todas las herramientas eléctricas de calidad requieren de vez en cuando el servicio de mantenimiento o el reemplazo de piezas debido al desgaste producido durante la utilización normal. Para asegurarse de que solamente se utilicen piezas de reemplazo autorizadas, todos los servicios de mantenimiento y reparación deberán realizarse SOLAMENTE EN UN CENTRO DE REPARACIONES AUTORIZADO POR HITACHI.

**NOTA:**

Las especificaciones están sujetas a cambio sin ninguna obligación por parte de HITACHI.









**WARNING:**

Some dust created by power sanding, sawing, grinding, drilling, and other construction activities contains chemicals known to the State of California to cause cancer, birth defects or other reproductive harm. Some examples of these chemicals are:

- Lead from lead-based paints,
- Crystalline silica from bricks and cement and other masonry products, and
- Arsenic and chromium from chemically-treated lumber.

Your risk from these exposures varies, depending on how often you do this type of work. To reduce your exposure to these chemicals: work in a well ventilated area, and work with approved safety equipment, such as those dust masks that are specially designed to filter out microscopic particles.

**AVERTISSEMENT:**

La poussière résultant d'un ponçage, d'un sciage, d'un meulage, d'un perçage ou de toute autre activité de construction renferme des produits chimiques qui sont connus par l'Etat de Californie pour causer des cancers, des défauts de naissance et autres anomalies de reproduction. Nous énumérons ci-dessus certains de ces produits chimiques:

- Plomb des peintres à base de plomb,
- Silice cristalline des briques et du ciment et autres matériaux de maçonnerie, et
- Arsenic et chrome du bois d'oeuvre traité chimiquement.

Le risque d'exposition à ces substances varie en fonction de la fréquence d'exécution de ce genre de travail. Pour réduire l'exposition à ces produits chimiques, travailler dans un lieu bien ventilé, et porter un équipement de protection agréé, par exemple un masque anti-poussière spécialement conçu pour filter les particules microscopiques.

**ADVERTENCIA:**

A algunos polvos creados por el lijado mecánico, el aserrado, el esmerilado, el taladrado y otras actividades de construcción contienen sustancias químicas conocidas por le Estado de California como agentes cancerígenos, defectos congénitos y otros daños reproductores. Algunos ejemplos de estas sustancias químicas son:

- El plomo de las pinturas a base de plomo,
- El sílice cristalino de los ladrillos y cemento y otros productos de mampostería, y
- El arsénico y el cromo de la madera tratada químicamente.

El riesgo resultante de la exposición varía según la frecuencia con que se realiza este tipo de trabajo. Para reducir la exposición a esta sustancias químicas: trabaje en un lugar bien ventilado y realice el trabajo utilizando el equipamiento apropiado, tal como las máscaras para el polvo especialmente diseñados para eliminar las partículas minúsculas.

Issued by

**Hitachi Koki Co., Ltd.**

Shinagawa Intercity Tower A, 15-1, Konan 2-chome,  
Minato-ku, Tokyo 108-6020, Japan

Distributed by

**Hitachi Koki U.S.A., Ltd.**

3950 Steve Reynolds Blvd.  
Norcross, GA 30093

**Hitachi Koki Canada Co.**

6395 Kestrel Road  
Mississauga ON L5T 1Z5

206

Code No. 99474464

Printed in Singapore