



**Count on it.**

**Parts Catalog**

**Stump Grinder  
Compact Tool Carrier**

Model No. 22429—Serial No. 404320000 and Up

Go to [Discount-Equipment.com](http://Discount-Equipment.com) to order your parts



[www.discount-equipment.com](http://www.discount-equipment.com)



# PARTS FINDER

**Search Website  
by Part Number**



**Search Manual  
Library For Parts  
Manual & Lookup Part  
Numbers – Purchase  
or Request Quote**

**Search Manuals**

Enter your information to help us find the right parts manual for your machine.

\* Brand:

\* Model:

\* Serial:

\* Part Number:

SEARCH

**Can't Find Part or  
Manual? Request Help  
by Manufacturer,  
Model & Description**

**Parts Order Form**

Please fill in the following information to help us find the right part for your machine.

MANUFACTURER:

MODEL:

DESCRIPTION:

DATE:

TIME:

PHONE:

EMAIL:

ADDRESS:

CITY:

STATE:

ZIP:

NAME:

COMPANY:

PHONE:

EMAIL:

REQUEST FOR QUOTE

Discount-Equipment.com is your online resource for quality parts & equipment.

Florida: **561-964-4949** Outside Florida TOLL FREE: **877-690-3101**

**Need parts?**

Click on this link: <http://www.discount-equipment.com/category/5443-parts/> and choose one of the options to help get the right parts and equipment you are looking for. Please have the machine model and serial number available in order to help us get you the correct parts. If you don't find the part on the website or on one of the online manuals, please fill out the request form and one of our experienced staff members will get back to you with a quote for the right part that your machine needs.

We sell worldwide for the brands: Genie, Terex, JLG, MultiQuip, Mikasa, Essick, Whiteman, Mayco, Toro Stone, Diamond Products, Generac Magnum, Airman, Haulotte, Barreto, Power Blanket, Nifty Lift, Atlas Copco, Chicago Pneumatic, Allmand, Miller Curber, Skyjack, Lull, Skytrak, Tsurumi, Husquvarna Target, Stow, Wacker, Sakai, Mi-T-M, Sullair, Basic, Dynapac, MBW, Weber, Bartell, Bennar Newman, Haulotte, Ditch Runner, Menegotti, Morrison, Contec, Buddy, Crown, Edco, Wyco, Bomag, Laymor, EZ Trench, Bil-Jax, F.S. Curtis, Gehl Pavers, Heli, Honda, ICS/PowerGrit, IHI, Partner, Imer, Clipper, MMD, Koshin, Rice, CH&E, General Equipment, Amida, Coleman, NAC, Gradall, Square Shooter, Kent, Stanley, Tamco, Toku, Hatz, Kohler, Robin, Wisconsin, Northrock, Oztec, Toker TK, Rol-Air, APT, Wylie, Ingersoll Rand / Doosan, Innovatech, Con X, Ammann, Mecalac, Makinex, Smith Surface Prep, Small Line, Wanco, Yanmar

# Ordering Replacement Parts

To order replacement parts, please supply the part number, the quantity, and the description of each part desired.

## Understanding Reference Numbers

Each identified part in an illustration has a reference number. The reference number for a part also appears in the parts list, along with other information about the part.

This catalog uses two special reference number formats, one to indicate parts in a service assembly and another to indicate the quantity of a given part in an illustration.

## Service Assembly Reference Numbers

Parts in service assemblies have reference numbers in the form a:b. The a represents the reference number of the entire service assembly and the b represents a sequential number unique to each part within the service assembly.

For example, a wheel assembly might be identified by reference number 6, the tire by 6:1, the valve by 6:2, and the wheel by 6:3. When you order the assembly identified by reference number 6, you receive all parts identified by reference numbers 6:1, 6:2, and 6:3. However, you may also order any part individually. Reference numbers of this type appear in illustration and in parts lists.

## Reference Numbers Indicating Quantity

In an illustration, if a reference number indicates more than one part, the reference number has the form nX y. The n represents the quantity of the part, the X is the multiplication symbol, and the y represents the reference number.

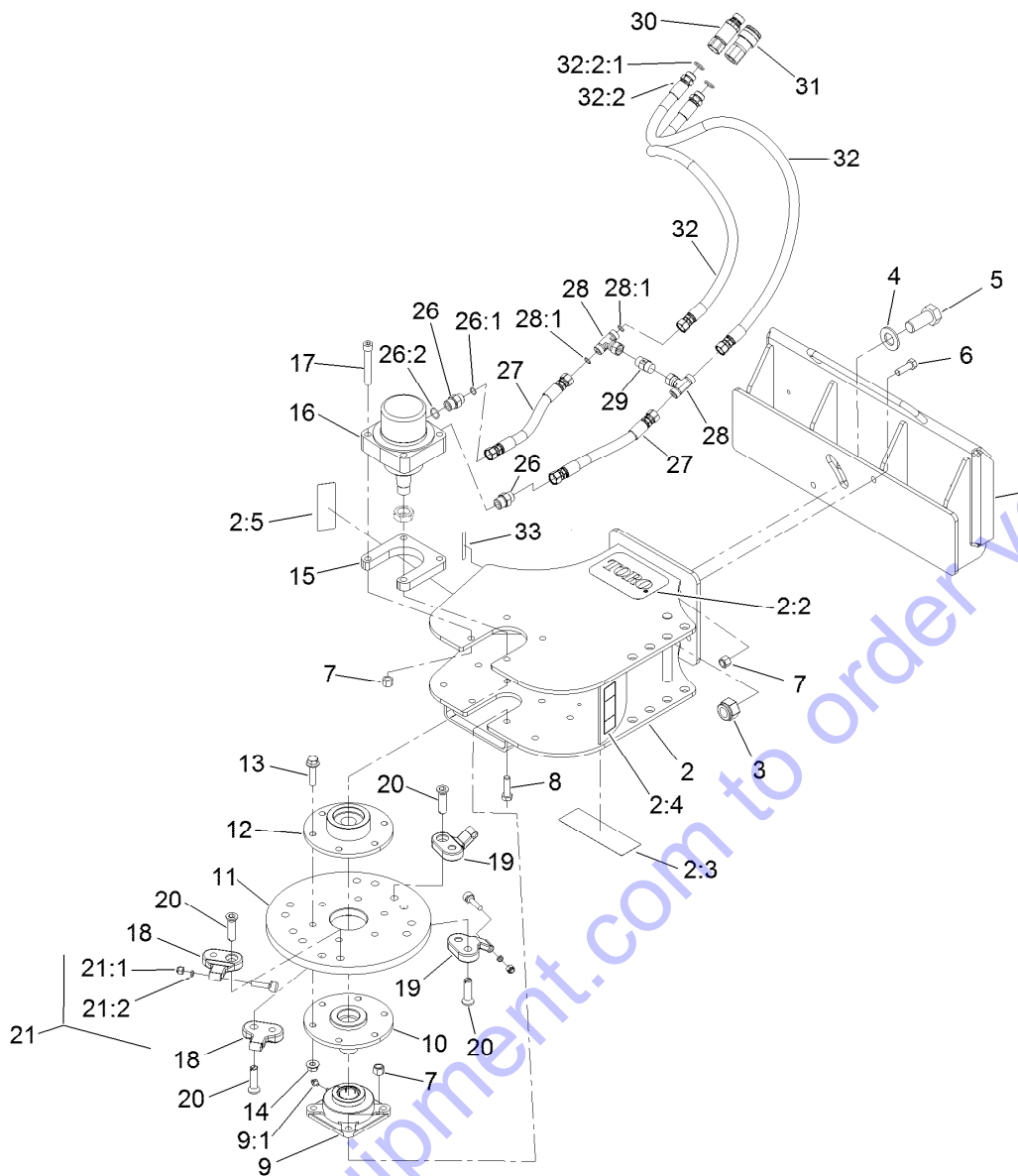
For example, in an illustration, the reference number 2X 37 means that two of the parts identified by reference number 37 are indicated.

Go to Discount-Equipment.com to order your parts

# Contents

Grinder Frame, Head and Hydraulic Motor Assembly .....	4
Hydraulic Motor Assembly No. 127-9603 .....	6
Shield and Guard Assembly .....	8

Go to [Discount-Equipment.com](http://Discount-Equipment.com) to order your parts

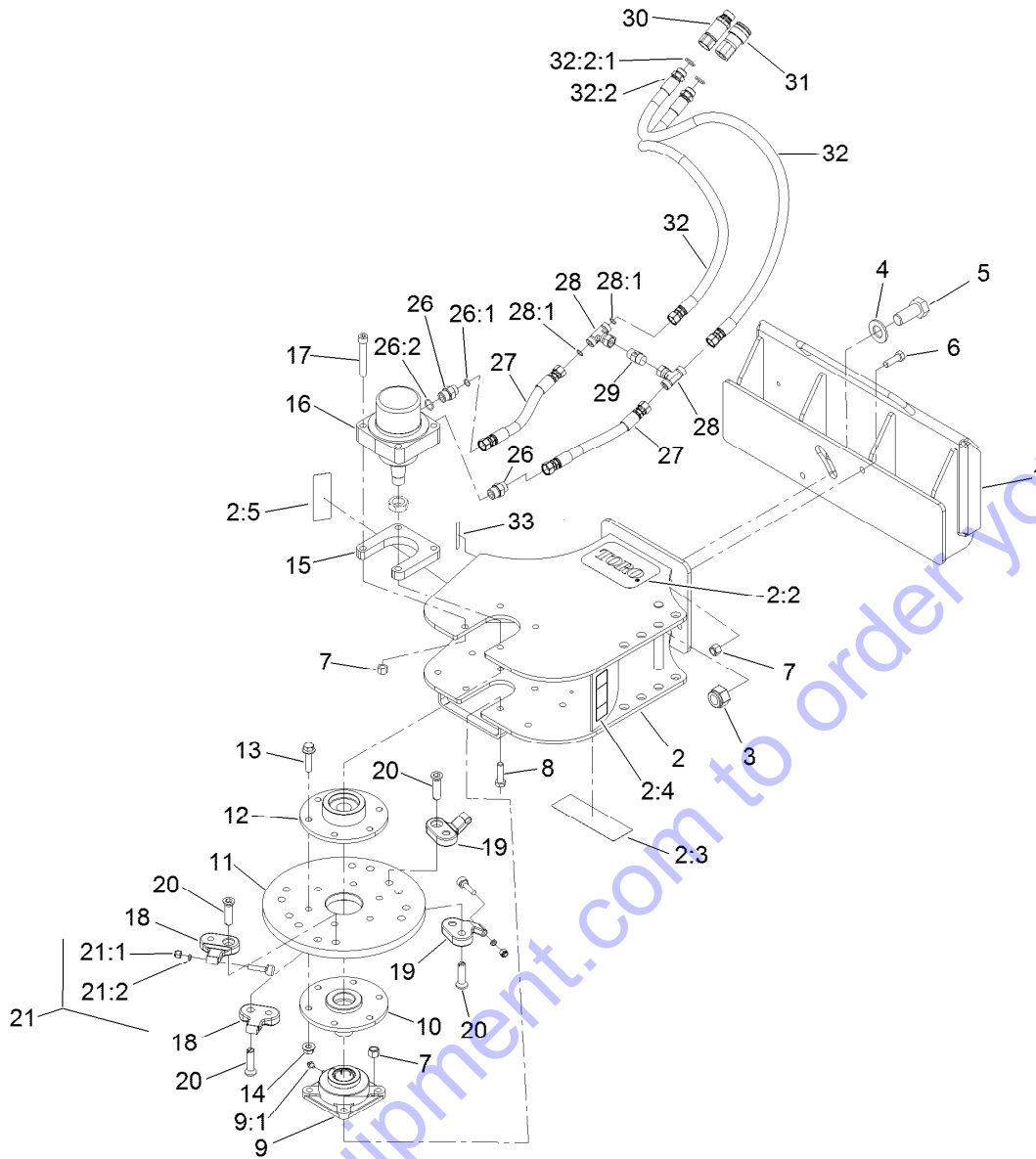


## Grinder Frame, Head and Hydraulic Motor Assembly

Ref.	Part Number	Qty.	Description	Ref.	Part Number	Qty.	Description
1	132-8629-03	1	Plate-Attach, Quick	14	32128-49	6	Nut-HHF
2	136-4516	1	Grinder Frame ASM	15	136-4502-03	1	Plate- Spacer
2:2	93-7340	1	Decal	16	127-9603	1	HYD Motor ASM
2:3	136-5814	1	Decal-Safety, Grinder	17	3274-100	4	Screw-HSH
2:4	136-5818	1	Decal-Warning	18	115-9388	4	Pocket-Straight
2:5	136-5817	1	Decal-Danger	19	115-9384	8	Pocket-Angled
3	104-2024	1	Nut-Hex, NI	20	115-9386	12	Bolt-HSH, RH
4	3256-62	1	Washer-Flat	21	115-9385	12	Grinder Tooth ASM
5	104-2035	1	Screw-Cap	21:1	3296-39	1	Nut-Lock, NI
6	325-6	2	Screw-HH	21:2	121-4365	1	Spacer-Tooth
7	3296-23	10	Nut-Lock, NI	26	340-6	2	Fitting-Straight
8	325-7	4	Screw-HH	26:1	237-30	1	O-Ring
9	104-2026	1	Bearing	26:2	237-80	1	O-Ring
9:1	302-2	1	Fitting-Grease	27	95-3664	2	HYD Hose ASM
10	115-9395-03	1	Shaft-Stub	28	93-6810	2	Fitting-Tee
11	136-4501-03	1	Wheel-Grinder, Stump	28:1	237-30	2	O-Ring
12	119-4570-03	1	Hub-Drive	29	117-6383	1	Valve-Check
13	3234-27	6	Screw-HHF	30	100-4701	1	Nipple-Connect, Pressure

● Not illustrated

■ Not serviced separately



## Grinder Frame, Head and Hydraulic Motor Assembly (continued)

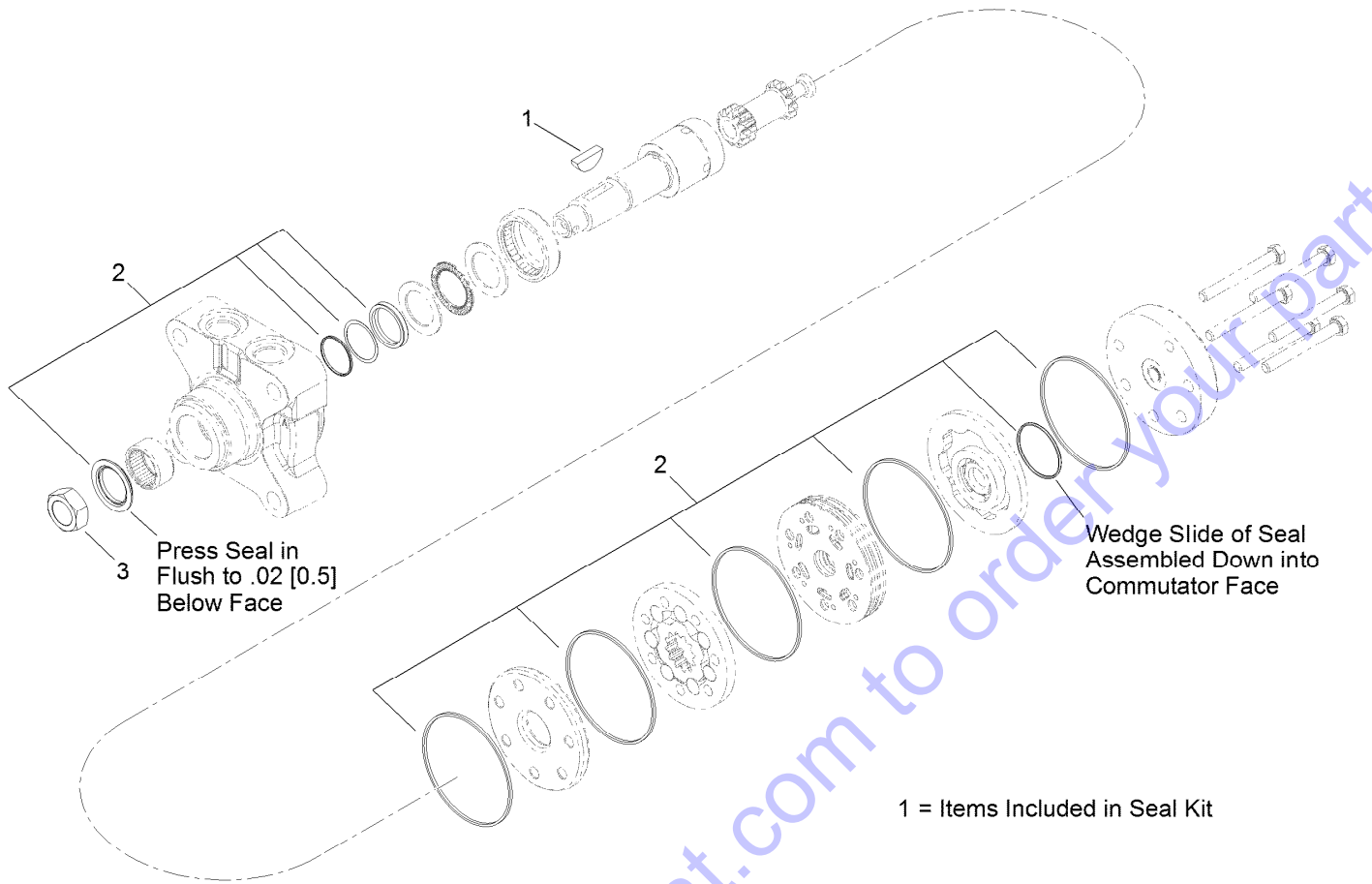
Ref.	Part Number	Qty.	Description
30:1	100-6120	1	Seal Kit ●
31	104-6134	1	Coupler-Face, Flush
32	136-5805	2	HYD Hose ASM

Ref.	Part Number	Qty.	Description
32:2		1	Fitting-Straight ■
32:2:1	237-80	1	O-Ring
33	133-8061	1	Decal-Warning

● Not illustrated

■ Not serviced separately

# Hydraulic Motor Assembly No. 127-9603



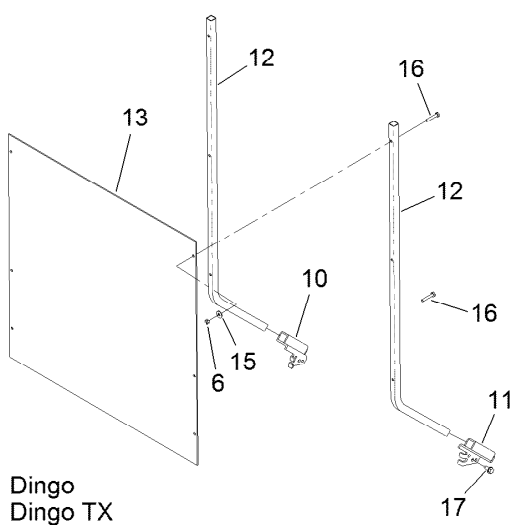
Go to Discount-Equipment.com to order your parts

# Hydraulic Motor Assembly No. 127-9603 (continued)

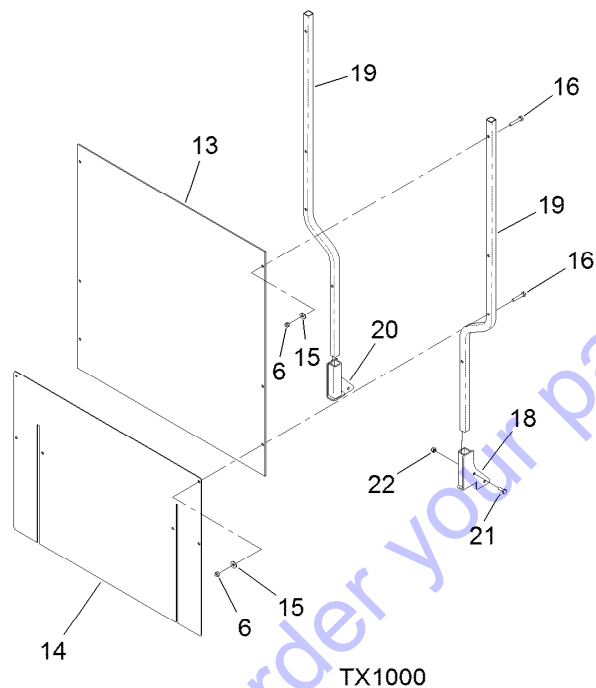
<i>Ref.</i>	<i>Part Number</i>	<i>Qty.</i>	<i>Description</i>
1	3257-42	1	Key-Woodruff
2	119-4631	1	Seal Kit
3	106-8159	1	Nut-Lock

Go to [Discount-Equipment.com](http://Discount-Equipment.com) to order your parts

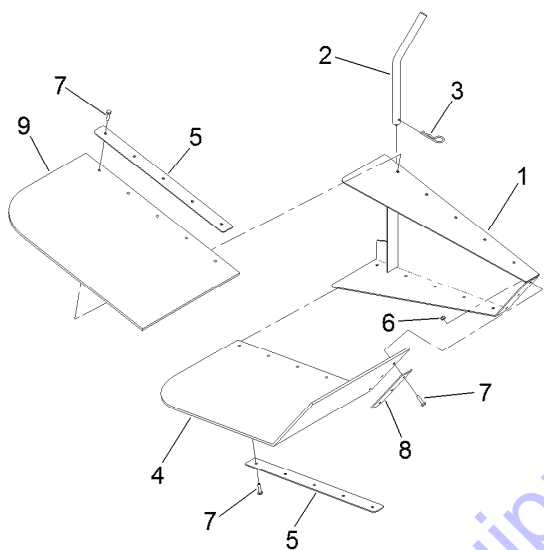




Dingo  
Dingo TX



TX1000



## Shield and Guard Assembly

Ref.	Part Number	Qty.	Description
1	104-2012-03	1	Chipper Guard ASM
2	104-2018	1	Pin-Hinge
3	3290-343	1	Pin-Hair
4	104-2022	1	Guard-Skirt, Rear
5	104-2019-03	2	Clamp-Skirt
6	3296-8	21	Nut-Hex
7	321-6	13	Screw-HH
8	104-2021-03	1	Clamp-Skirt
9	104-2023	1	Guard-Skirt, Front
10	104-5818-03	1	Bracket-Support, RH
11	104-5817-03	1	Bracket-Support, LH

Ref.	Part Number	Qty.	Description
12	104-5815-03	2	Support-Shield
13	136-4553	1	Shield-Lexan
14	136-4554	1	Skirt-Protector
15	3256-78	8	Washer-Flat
16	321-9	8	Screw-HH
17	32144-70	4	Screw-HWHTF
18	132-8623-03	1	Bracket-Support, LH
19	136-4558-03	2	Support-Tube, Shield
20	132-8624-03	1	Bracket-Support, RH
21	321-4	4	Screw-HH
22	3296-42	4	Nut-Lock, NI

# PARTS FINDER

**Search Website  
by Part Number**



**Search Manual  
Library For Parts  
Manual & Lookup Part  
Numbers – Purchase  
or Request Quote**

**Search Manuals**

Enter your information to help us find the right parts manual for your machine.

\* Brand:

\* Model:

\* Serial:

\* Part Number:

SEARCH

**Can't Find Part or  
Manual? Request Help  
by Manufacturer,  
Model & Description**

**Parts Order Form**

Please fill in the following information to help us find the right part for your machine.

Manufacturer:	<input type="text"/>
Model:	<input type="text"/>
Description:	<input type="text"/>
Part Number:	<input type="text"/>
Quantity:	<input type="text"/>
Notes:	<input type="text"/>

Submit

Discount-Equipment.com is your online resource for quality parts & equipment.

Florida: **561-964-4949** Outside Florida TOLL FREE: **877-690-3101**

**Need parts?**

Click on this link: <http://www.discount-equipment.com/category/5443-parts/> and choose one of the options to help get the right parts and equipment you are looking for. Please have the machine model and serial number available in order to help us get you the correct parts. If you don't find the part on the website or on one of the online manuals, please fill out the request form and one of our experienced staff members will get back to you with a quote for the right part that your machine needs.

We sell worldwide for the brands: Genie, Terex, JLG, MultiQuip, Mikasa, Essick, Whiteman, Mayco, Toro Stone, Diamond Products, Generac Magnum, Airman, Haulotte, Barreto, Power Blanket, Nifty Lift, Atlas Copco, Chicago Pneumatic, Allmand, Miller Curber, Skyjack, Lull, Skytrak, Tsurumi, Husquvarna Target, Stow, Wacker, Sakai, Mi-T-M, Sullair, Basic, Dynapac, MBW, Weber, Bartell, Bennar Newman, Haulotte, Ditch Runner, Menegotti, Morrison, Contec, Buddy, Crown, Edco, Wyco, Bomag, Laymor, EZ Trench, Bil-Jax, F.S. Curtis, Gehl Pavers, Heli, Honda, ICS/PowerGrit, IHI, Partner, Imer, Clipper, MMD, Koshin, Rice, CH&E, General Equipment, Amida, Coleman, NAC, Gradall, Square Shooter, Kent, Stanley, Tamco, Toku, Hatz, Kohler, Robin, Wisconsin, Northrock, Oztec, Toker TK, Rol-Air, APT, Wylie, Ingersoll Rand / Doosan, Innovatech, Con X, Ammann, Mecalac, Makinex, Smith Surface Prep, Small Line, Wanco, Yanmar



**Count on it.**



[www.discount-equipment.com](http://www.discount-equipment.com)

Go to [Discount-Equipment.com](http://Discount-Equipment.com) to order your parts