



**Count on it.**

**Parts Catalog**

**STX-38 EFI Stump Grinder with  
Intelli-Sweep**

Model No. 23214—Serial No. 314000001 and Up

Go to [Discount-Equipment.com](http://Discount-Equipment.com) to order your parts



[www.discount-equipment.com](http://www.discount-equipment.com)



# PARTS FINDER

**Search Website  
by Part Number**



**Search Manual  
Library For Parts  
Manual & Lookup Part  
Numbers – Purchase  
or Request Quote**

**Search Manuals**

Enter your information to help us find the right parts manual for your machine.

\* Brand:

\* Model:

\* Serial:

\* Part Number:

SEARCH

**Can't Find Part or  
Manual? Request Help  
by Manufacturer,  
Model & Description**

**Parts Order Form**

Please fill in the following information to help us find the right part for your machine.

Manufacturer:	<input type="text"/>
Model:	<input type="text"/>
Description:	<input type="text"/>
Part Number:	<input type="text"/>
Quantity:	<input type="text"/>
Notes:	<input type="text"/>

Submit

Discount-Equipment.com is your online resource for quality parts & equipment.

Florida: **561-964-4949** Outside Florida TOLL FREE: **877-690-3101**

**Need parts?**

Click on this link: <http://www.discount-equipment.com/category/5443-parts/> and choose one of the options to help get the right parts and equipment you are looking for. Please have the machine model and serial number available in order to help us get you the correct parts. If you don't find the part on the website or on one of the online manuals, please fill out the request form and one of our experienced staff members will get back to you with a quote for the right part that your machine needs.

We sell worldwide for the brands: Genie, Terex, JLG, MultiQuip, Mikasa, Essick, Whiteman, Mayco, Toro Stone, Diamond Products, Generac Magnum, Airman, Haulotte, Barreto, Power Blanket, Nifty Lift, Atlas Copco, Chicago Pneumatic, Allmand, Miller Curber, Skyjack, Lull, Skytrak, Tsurumi, Husquvarna Target, Stow, Wacker, Sakai, Mi-T-M, Sullair, Basic, Dynapac, MBW, Weber, Bartell, Bennar Newman, Haulotte, Ditch Runner, Menegotti, Morrison, Contec, Buddy, Crown, Edco, Wyco, Bomag, Laymor, EZ Trench, Bil-Jax, F.S. Curtis, Gehl Pavers, Heli, Honda, ICS/PowerGrit, IHI, Partner, Imer, Clipper, MMD, Koshin, Rice, CH&E, General Equipment, Amida, Coleman, NAC, Gradall, Square Shooter, Kent, Stanley, Tamco, Toku, Hatz, Kohler, Robin, Wisconsin, Northrock, Oztec, Toker TK, Rol-Air, APT, Wylie, Ingersoll Rand / Doosan, Innovatech, Con X, Ammann, Mecalac, Makinex, Smith Surface Prep, Small Line, Wanco, Yanmar

# Ordering Replacement Parts

To order replacement parts, please supply the part number, the quantity, and the description of each part desired.

## Understanding Reference Numbers

Each identified part in an illustration has a reference number. The reference number for a part also appears in the parts list, along with other information about the part.

This catalog uses two special reference number formats, one to indicate parts in a service assembly and another to indicate the quantity of a given part in an illustration.

## Service Assembly Reference Numbers

Parts in service assemblies have reference numbers in the form a:b. The a represents the reference number of the entire service assembly and the b represents a sequential number unique to each part within the service assembly.

For example, a wheel assembly might be identified by reference number 6, the tire by 6:1, the valve by 6:2, and the wheel by 6:3. When you order the assembly identified by reference number 6, you receive all parts identified by reference numbers 6:1, 6:2, and 6:3. However, you may also order any part individually. Reference numbers of this type appear in illustration and in parts lists.

## Reference Numbers Indicating Quantity

In an illustration, if a reference number indicates more than one part, the reference number has the form nX y. The n represents the quantity of the part, the X is the multiplication symbol, and the y represents the reference number.

For example, in an illustration, the reference number 2X 37 means that two of the parts identified by reference number 37 are indicated.

# List of Abbreviations

**AR:** as required

**ASM:** assembly

**BBC:** blade brake control

**BHTF:** button head thread forming

**CARR:** carriage

**CCW:** counter clockwise

**CW:** clockwise

**DEG:** degrees

**DPA:** Dual Point Adjustment

**ECM:** electronic control module

**EXT:** external

**FH:** flat head

**GA:** gauge

**HD:** heavy-duty

**HF:** hex flange

**HH:** hex head

**HHF:** hex head flange

**HHFTF:** hex head flange thread forming

**HJ:** hex jam

**HLH:** hex lag head

**HOC:** height-of-cut

**HSBH:** hex socket button head

**HSFH:** hex socket flat head

**HSH:** hex socket head

**HWH:** hex washer head

**HWHTF:** hex washer head thread forming

**HYD:** hydraulic

**LH:** left hand

**LP:** Liquefied Petroleum Gas

**LPG:** Liquefied Petroleum Gas

**NI:** nylon insert

**NPTF:** national pipe thread fine

**PFH:** phillips flat head

**PPH:** phillips pan head

**PPHTF:** phillips pan head thread forming

**PRH:** phillips round head

**PTH:** phillips truss head

**PTO:** power-take-off

**RH:** right hand

**ROPS:** roll-over protection system

**RRB:** rear roller brush

**SFH:** slotted fillister head

**SHH:** slotted hex head

**SHWH:** slotted hex washer head

**SPH:** slotted pan head

**SQH:** square head

**SRH:** slotted round head

**STD:** standard

**TAP:** self tapping

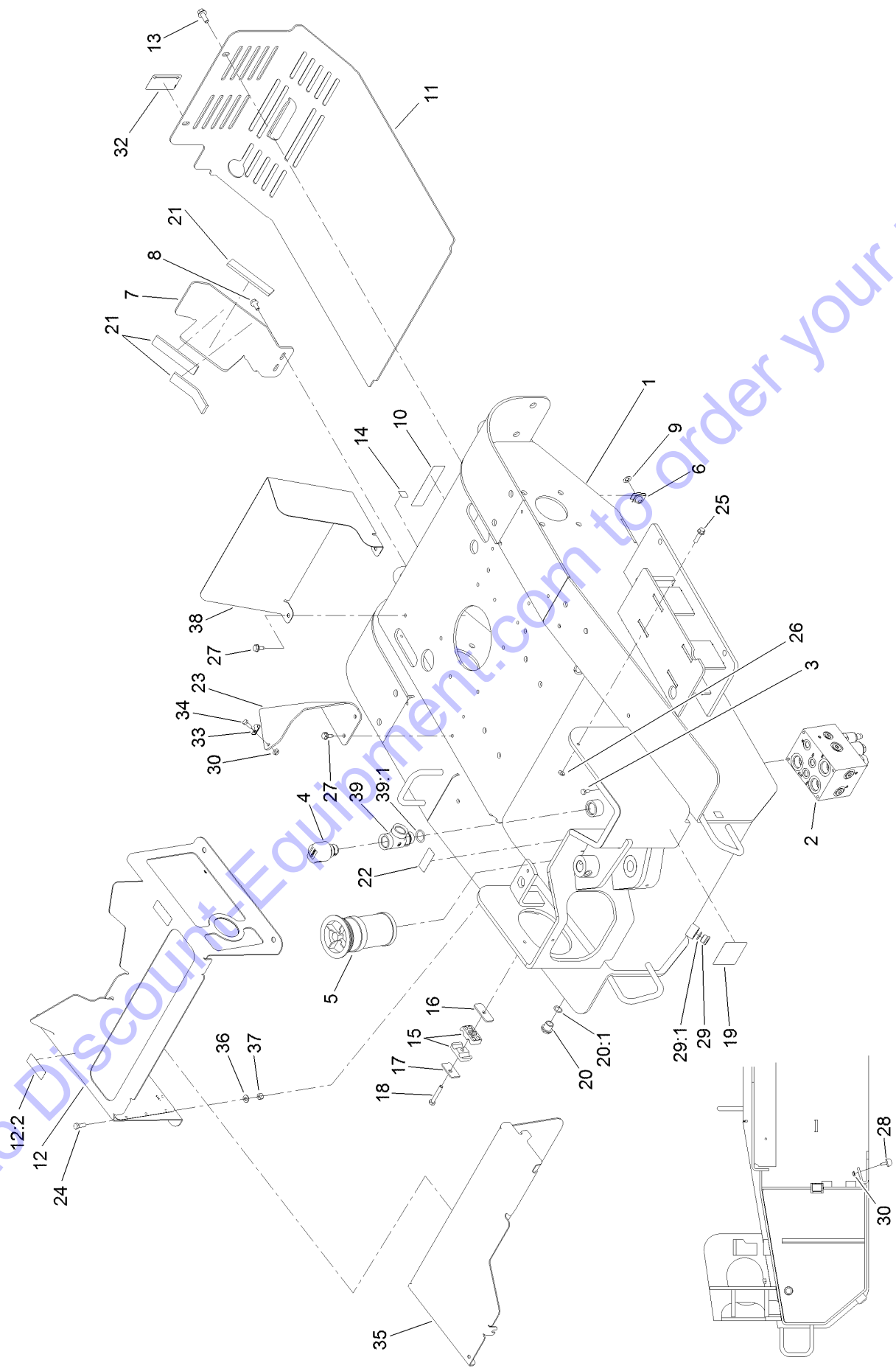
**TTH:** torx truss head

# Contents

Main Frame Assembly .....	4
Cutter Valve Assembly No. 121-1022 .....	6
Track and Drive Assembly .....	8
Hydraulic Motor Assembly No. 121-1957 .....	10
Parking Brake Assembly .....	12
Engine Assembly .....	14
Control Assembly .....	16
Grinder Head Assembly .....	18
Hydraulic Motor Assembly No. 121-4325 .....	20
Tower and Fuel Tank Assembly .....	22
Control Valve Assembly No. 119-4585 .....	24
Two-Button Handle Grip Assembly No. 119-4587 .....	25
Cooler Assembly .....	26
Hydraulic Hose Routing Assembly .....	28
Electrical Assembly .....	30

Go to [Discount-Equipment.com](http://Discount-Equipment.com) to order your parts

# Main Frame Assembly

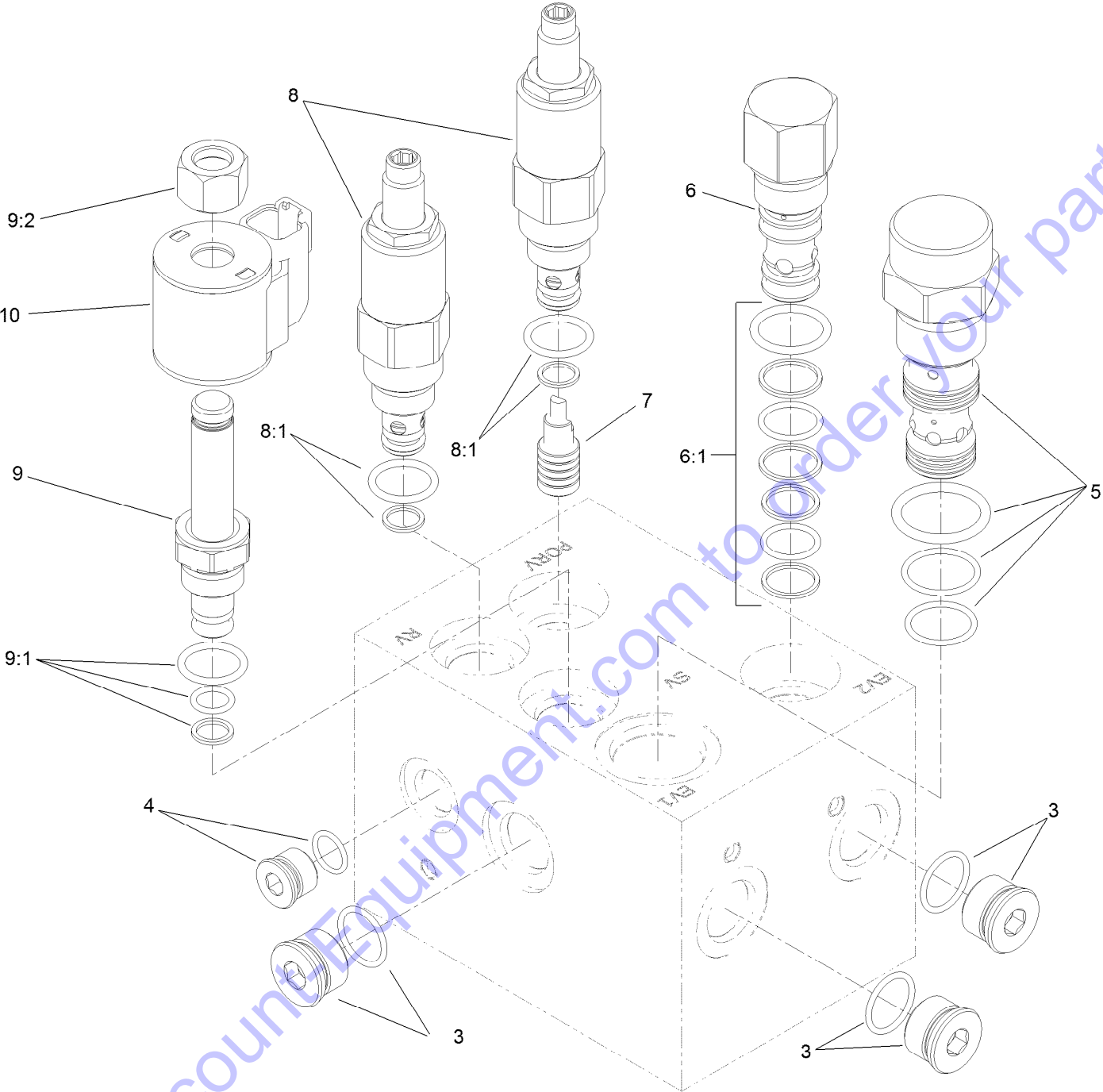


Go to Discount Equipment.com to order your parts

## Main Frame Assembly (continued)

<i>Ref.</i>	<i>Part Number</i>	<i>Qty.</i>	<i>Description</i>	<i>Ref.</i>	<i>Part Number</i>	<i>Qty.</i>	<i>Description</i>
1	121-4535	1	Frame-Main	20:1	237-79	1	O-Ring
2	121-1022	1	Valve-Cutter	21	121-0894	3	Pad-Foam
3	321-3	4	Screw-HH	22	93-6686	1	Decal-Oil, HYD
4	115-9793	1	Breather	23	127-9641-01	1	Plate-Dflector,RH
5	115-5745	1	Cartridge-Filter	24	322-5	4	Screw-HH
6	105-4886	2	Nut-Tinnerman	25	3234-36	2	Screw-HHF
7	121-1141-01	1	Bracket-Tank	26	117-2749	2	Nut-Push
8	3234-47	2	Screw-HHF	27	32144-70	4	Screw-HWHTF
9	107-3154	2	Nut-Push	28	1-523420	2	Bumper
10	93-7814	1	Decal-Danger	29	353-988	1	Plug-Hex
11	121-4532	1	Cover-Rear	29:1	237-79	1	O-Ring
12	121-4562	1	Muffler Cover ASM	30	32128-33	3	Nut-HF
12:2	115-2047	2	Decal-Surface, Hot	32	93-9363	1	Decal-Brake, Parking
13	3234-11	2	Screw-HHF	33	2412-72	1	Clip-Closed, Insulated
14	93-9084	4	Decal-Point, Lift	34	321-4	1	Screw-HH
15	56-7976	2	Clamp-Tube	35	125-0380-03	1	Cover-Front
16	119-4636	1	Plate-Clamp	36	3256-23	4	Washer-Flat
17	69-9760	1	Coverplate	37	3296-29	4	Nut-Lock, NI
18	322-10	1	Screw-HH	38	127-9644-01	1	Bracket-Deflector
19	100-4650	1	Decal-Warning	39	130-7571	1	Fitting-Tee
20	114-3075	1	Sight Glass ASM	39:1	237-81	1	O-Ring

# Cutter Valve Assembly No. 121-1022



Go to [DiscountEquipment.com](http://DiscountEquipment.com) to order your parts

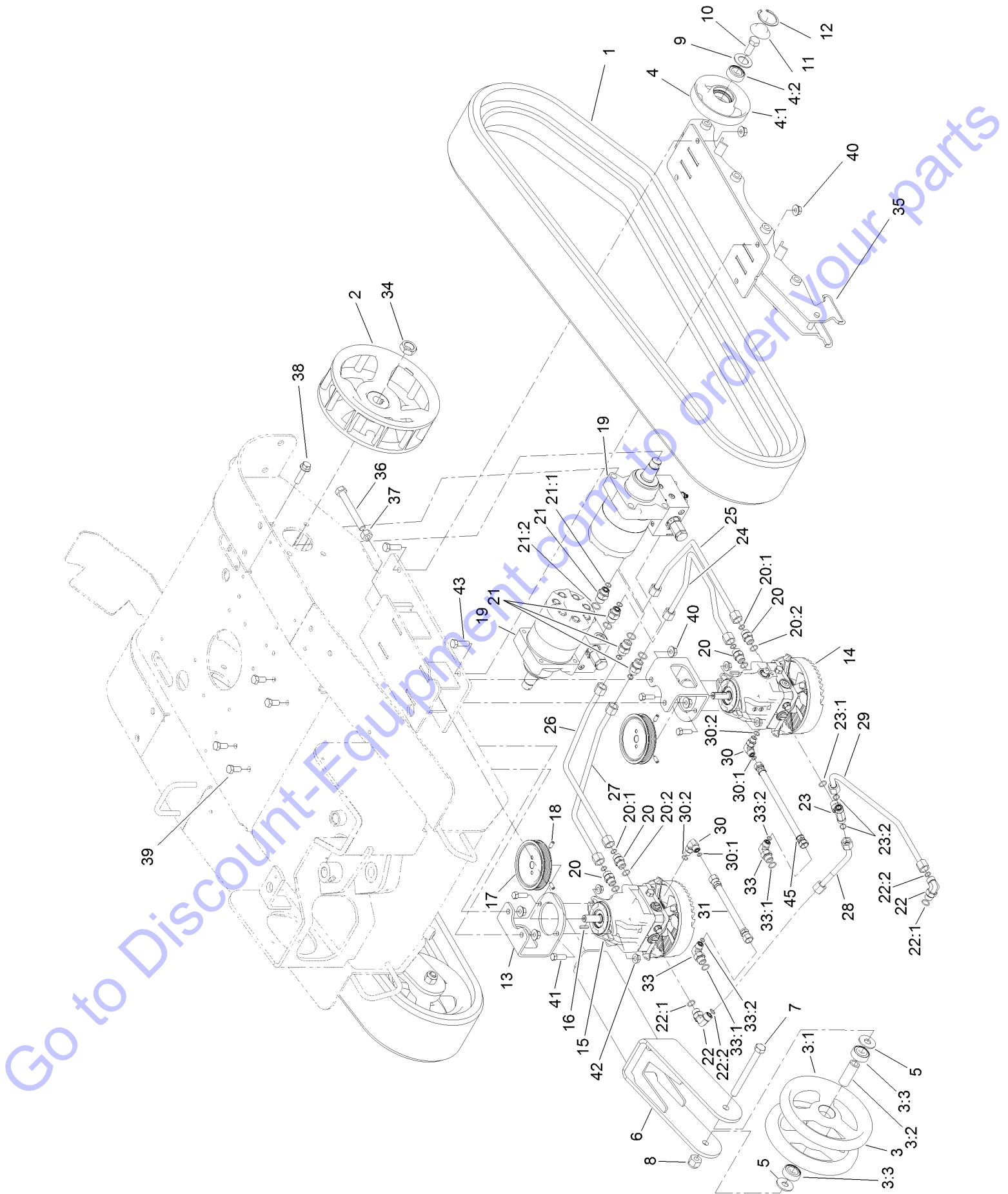
## Cutter Valve Assembly No. 121-1022 (continued)

<i>Ref.</i>	<i>Part Number</i>	<i>Qty.</i>	<i>Description</i>	<i>Ref.</i>	<i>Part Number</i>	<i>Qty.</i>	<i>Description</i>
3	112-9214	3	Plug, Nwd-8	8:1	105-9156	1	Seal Kit
4	112-9213	1	Plug, Nwd-D	9	107-7517	1	Valve-Solenoid
5	121-4561	1	Element-Logic, Vented	9:1	105-9156	1	Seal Kit
6	105-9153	1	Element-Logic, Vented	9:2	107-7812	1	Nut-Solenoid
6:1	119-2159	1	Seal Kit	10	112-0197	1	E-Coil-12V Dc (W/ Metri-Pak)
7	105-9157	1	Piston-Pilot				
8	119-4620	2	Valve-Relief				

Go to Discount-Equipment.com to order your parts



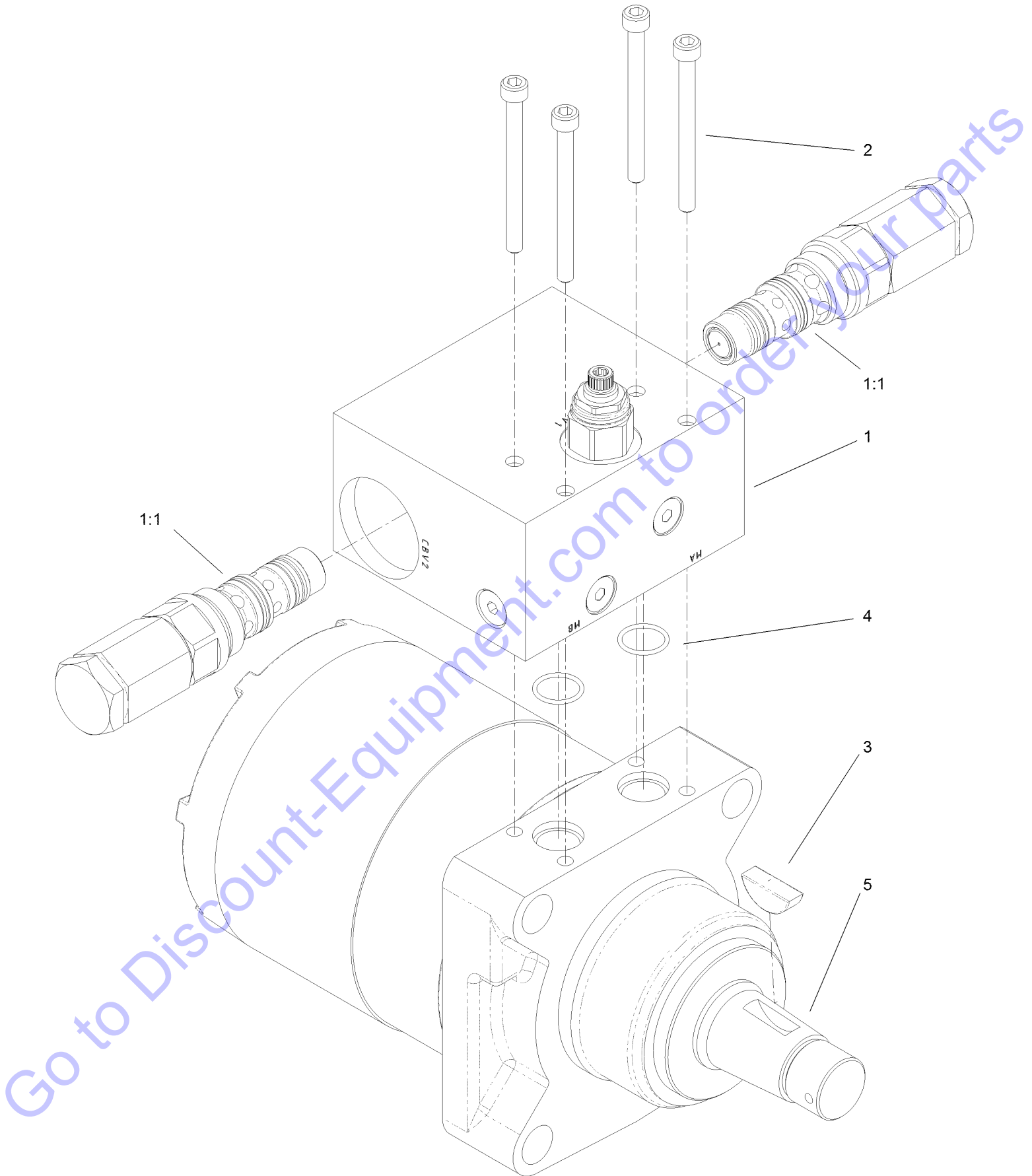
# Track and Drive Assembly



## Track and Drive Assembly (continued)

<i>Ref.</i>	<i>Part Number</i>	<i>Qty.</i>	<i>Description</i>	<i>Ref.</i>	<i>Part Number</i>	<i>Qty.</i>	<i>Description</i>
1	121-1021	2	Track-Rubber	22	340-98	2	Fitting-HYD, 90 DEG
2	117-6426-03	2	Wheel-Drive	22:1	237-79	1	O-Ring
3	104-5745	2	Tensioner Wheel ASM	22:2	237-30	1	O-Ring
3:1	104-5747-03	1	Wheel-Tensioner	23	340-157	1	Fitting-HYD, Tee
3:2	98-9835	1	Spacer-Wheel, Tensioner	23:1	237-79	1	O-Ring
3:3	120-5378	2	Bearing-Ball	23:2	237-30	2	O-Ring
4	112-4817	16	Wheel-Tensioner	24	121-1124	1	Tube-HYD
4:1	114-3014-03	1	Wheel-Track	25	121-1125	1	Tube-HYD
4:2	120-5378	1	Bearing-Ball	26	121-1126	1	Tube-HYD
5	3256-7	4	Washer-Flat	27	121-1127	1	Tube-HYD
6	121-1018-03	2	Arm-Tensioner	28	121-1198	1	Tube-HYD
7	327-17	2	Screw-HH	29	121-1130	1	Tube-HYD
8	3296-24	2	Nut-Lock, NI	30	340-77	2	Fitting-HYD, 90 DEG
9	106-7585	16	Gasket-Bogie	30:1	237-22	1	O-Ring
10	327-4	16	Screw-HH	30:2	237-42	1	O-Ring
11	106-7557	16	Cap-Wheel, Bearing	31	94-4712	1	Hose-HYD
12	106-7595	16	Ring-Snap, Internal	33	340-18	2	Fitting-HYD, 90 DEG
13	115-1289-01	2	Bracket-Mount, Pump	33:1	237-79	1	O-Ring
14	121-1953	1	Pump-HYD, LH	33:2	237-22	1	O-Ring
15	121-1954	1	Pump-HYD, RH	34	106-8159	2	Nut-Lock
16	80-6090	2	Key-Pump	35	121-0883-01	2	Mount-Wheel
17	109-2202	2	Sheave	36	125-0357	2	Screw-HH, TAP
18	3246-6	4	Screw-Set, HSH	37	3217-11	2	Nut-Hex
19	121-1957	2	HYD Motor ASM	38	3234-27	8	Screw-HHF
20	340-4	4	Fitting-HYD, Straight	39	325-4	4	Screw-HH
20:1	237-30	1	O-Ring	40	32128-49	12	Nut-HHF
20:2	237-79	1	O-Ring	41	324-5	4	Screw-HH
21	340-6	4	Fitting-HYD, Straight	42	32128-42	4	Nut-HF
21:1	237-30	1	O-Ring	43	325-6	8	Screw-HH
21:2	237-80	1	O-Ring	45	76-9420	1	Hose-HYD

# Hydraulic Motor Assembly No. 121-1957



# Hydraulic Motor Assembly No. 121-1957 (continued)

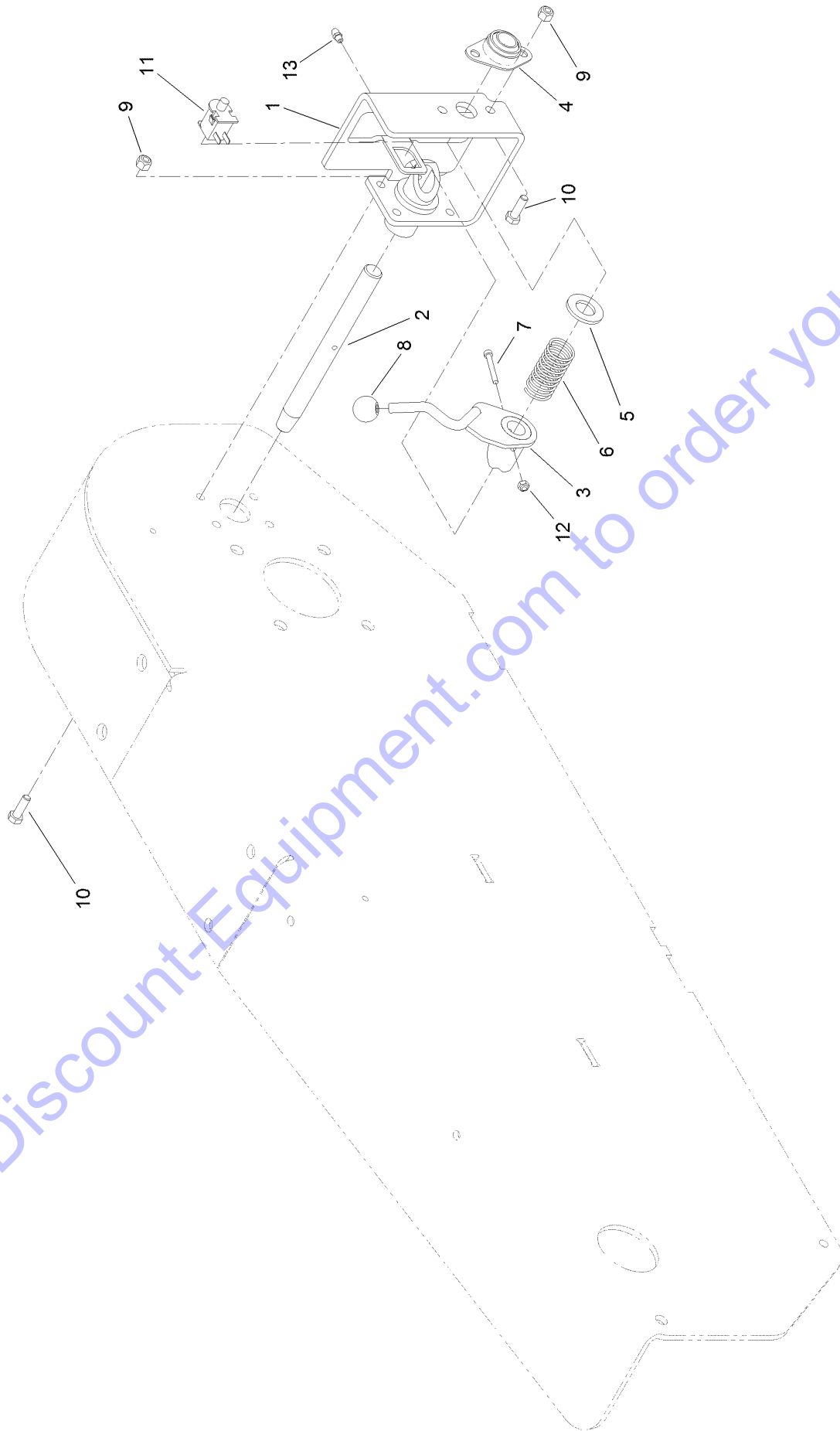
<i>Ref.</i>	<i>Part Number</i>	<i>Qty.</i>	<i>Description</i>
1	121-4464	1	Counterbalance Valve ASM
1:1	121-4463	2	Cartridge-Cb
2	119-4611	4	Bolt-HSH
3	3257-42	1	Key-Woodruff

<i>Ref.</i>	<i>Part Number</i>	<i>Qty.</i>	<i>Description</i>
4	120-0691	2	O-Ring
5	76-0860	1	Shaft-Coupling
6	100-6131	1	Seal Kit ●

Go to Discount-Equipment.com to order your parts

● Not illustrated

# Parking Brake Assembly

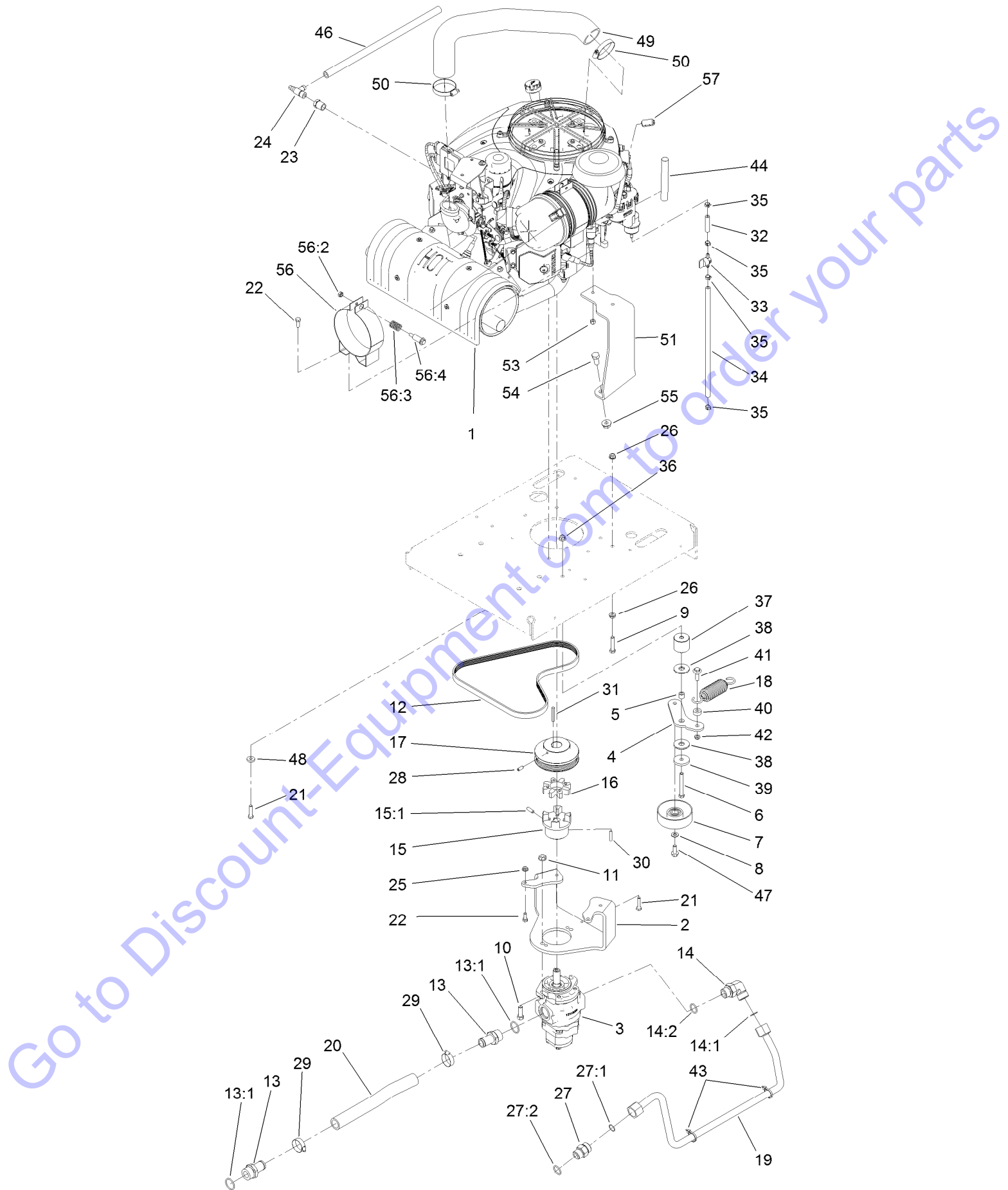


## Parking Brake Assembly (continued)

<i>Ref.</i>	<i>Part Number</i>	<i>Qty.</i>	<i>Description</i>	<i>Ref.</i>	<i>Part Number</i>	<i>Qty.</i>	<i>Description</i>
1	125-0259-03	1	Bracket-Brake	8	233-69	1	Knob
2	121-4352	1	Shaft-Brake	9	3296-29	6	Nut-Lock, NI
3	121-4356-03	1	Handle-Brake	10	322-5	6	Screw-HH
4	27-2320	1	Bearing	11	740275	1	Switch
5	3256-28	1	Washer-Flat	12	3296-2	1	Nut-Lock, NI
6	125-0344	1	Spring-Comperssion	13	302-5	1	Fitting-Grease
7	3274-59	1	Screw-HSH				

Go to Discount-Equipment.com to order your parts

# Engine Assembly



## Engine Assembly (continued)

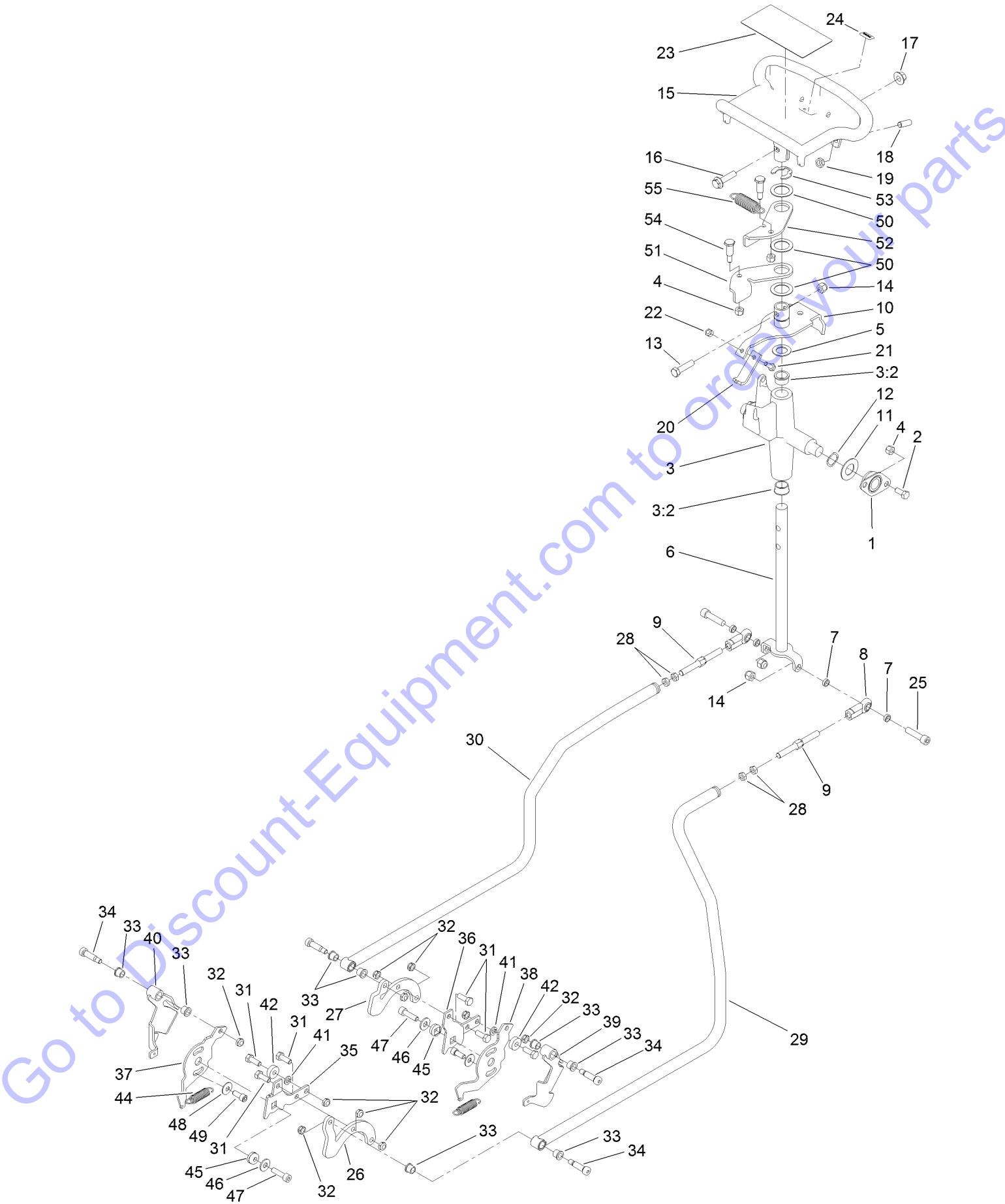
Ref.	Part Number	Qty.	Description	Ref.	Part Number	Qty.	Description
1		1	Engine-Kohler, Ecv980 ●■	27:2	237-81	1	O-Ring
2	114-2912-01	1	Mount-Pump	28	3246-6	2	Screw-Set, HSH
3	121-1952	1	Gear Pump ASM	29	2412-34	2	Clamp-Hose
4	125-0252	1	Arm-Idler	30	27-8590	1	Key-Square
5	1-413088	1	Bushing-Lever, Lift	31	608006	1	Key-Square
6	323-14	1	Screw-HH	32	99-9415	1	Hose-Fuel
7	95-8802	1	Pulley-Idler	33	1-603770	1	Valve-Fuel
8	3256-24	1	Washer-Flat	34	109-0296	1	Hose-Fuel
9	323-9	1	Screw-HH	35	2412-98	4	Clamp-Hose
10	324-5	2	Screw-HH	36	104-8301	1	Nut-Flange, NI
11	32128-37	2	Nut-HF	37	125-0251	1	Spacer-Idler
12	121-4326	1	Belt-V	38	114-0463	2	Washer-Friction, Composite
13	354-78	2	Connector-Hose	39	110-9981	1	Washer-Plain
13:1	237-146	1	O-Ring	40	104-8426	1	Spacer
14	340-142	1	Fitting-HYD, 90 DEG	41	614672	1	Bolt-Shoulder
14:1	237-58	1	O-Ring	42	3296-59	1	Nut-Lock, NI
14:2	237-81	1	O-Ring	43	3290-379	2	Tie-Cable
15	121-4330	1	Hub-Coupler	44	121-4403	1	Sleeve-Thermal,
15:1	100-7594	1	Screw-Set	46	98-4667	1	Hose
16	104-3542	1	Spider	47	3234-11	1	Screw-HHF
17	121-1028	1	Pulley-Engine	48	104-7658	2	Spacer
18	121-4523	1	Spring-Extension	49	121-4529	1	Hose-Intake,Air
19	121-1128	1	Tube-HYD	50	2412-42	2	Clamp-Hose
20	121-4340	1	Hose-Suction	51	121-4539-01	1	Bracket-Mount, Filter
21	108-8647	4	Screw-HH, Lock	53	3296-29	2	Nut-Lock, NI
22	322-4	4	Screw-HH	54	325-4	2	Screw-HH
23	103-1390	1	Bushing	55	32128-49	2	Nut-HHF
24	103-1965	1	Valve-Drain, Oil	56	100-4825	1	Band-Mounting, Air Cleaner
25	32128-20	2	Nut-HF	56:2	94-3653	1	Bolt
26	3290-357	2	Nut-HHF, Whiz	56:3	94-3654	1	Spring
27	340-9	1	Fitting-HYD, Straight	56:4	48-9510	1	Nut
27:1	237-58	1	O-Ring	57	112-1540	1	Ferrite-Snap On

● Not serviced separately

■ Obtain parts from [www.kohlerplus.com](http://www.kohlerplus.com)



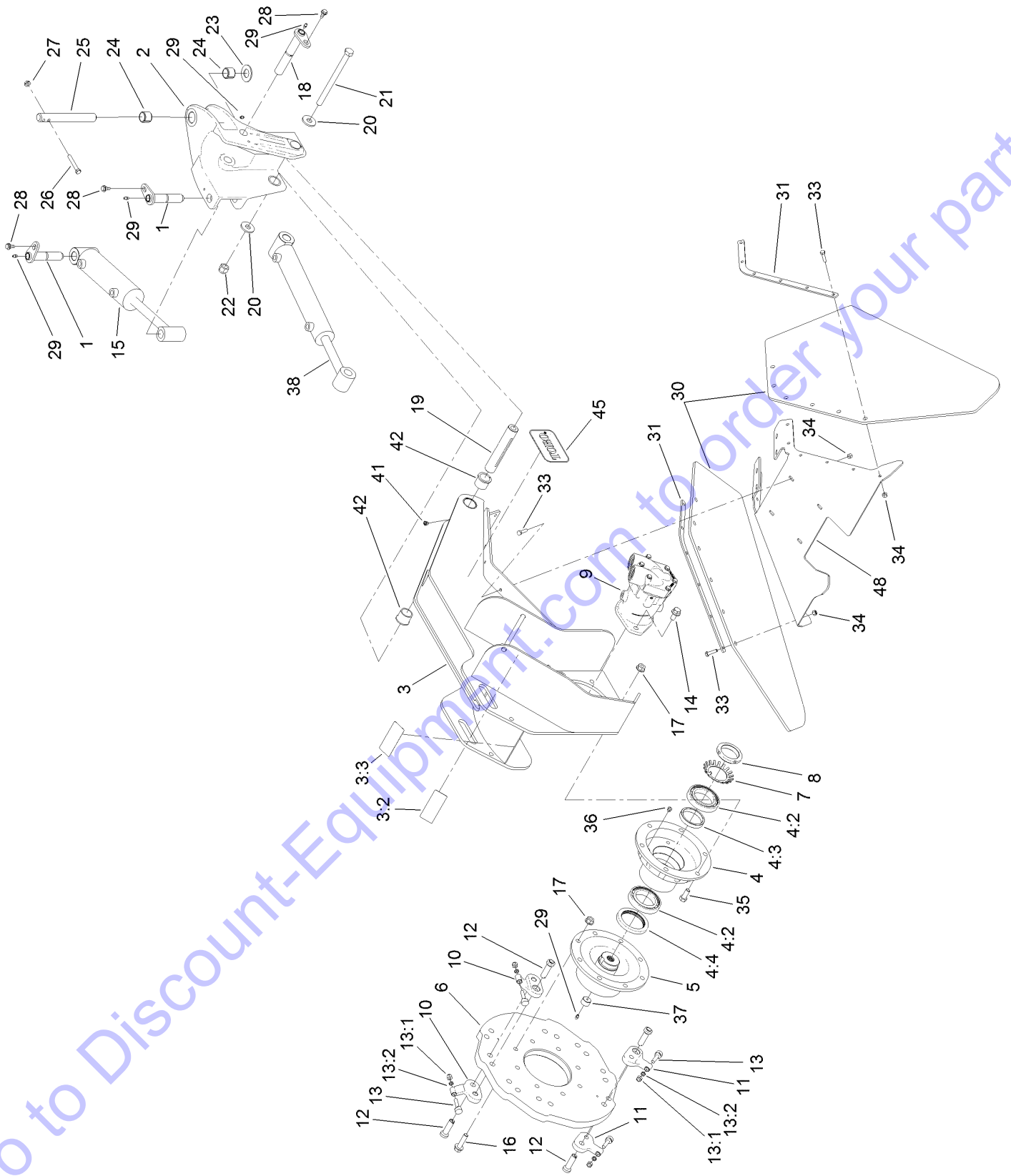
# Control Assembly



## Control Assembly (continued)

<i>Ref.</i>	<i>Part Number</i>	<i>Qty.</i>	<i>Description</i>	<i>Ref.</i>	<i>Part Number</i>	<i>Qty.</i>	<i>Description</i>
1	27-2320	2	Bearing	28	3220-3	4	Nut-HJ
2	322-3	4	Screw-HH	29	121-4513	1	Rod-Control, LH
3	106-5737	1	Control Support ASM	30	121-4514	1	Rod-Control, RH
3:2	256-252	2	Bearing-Flange	31	322-4	6	Screw-HH
4	3296-29	6	Nut-Lock, NI	32	3296-47	10	Nut-Lock, NI
5	257-8	1	Washer-Thrust	33	256-116	8	Bushing-Flange
6	117-6335	1	Rod-Drive	34	114-8629	4	Bolt-Shoulder
7	108-0634	4	Spacer-Plate, Retaining	35	115-6628	1	Plate-Arm, Return, LH
8	103-1167	2	Joint-Ball End, LH	36	115-6536	1	Plate-Arm, Return
9	121-4506	2	Link-Control, Adjustment	37	115-6549	1	Plate-Base, LH
10	112-2783	1	Lever-Pivot	38	115-6535	1	Plate-Base, RH
11	3256-39	2	Washer-Flat	39	115-6636	1	Pivot-RH
12	95-3703	2	Washer-Spring, Wave	40	115-6637	1	Pivot-LH
13	323-8	1	Screw-HH	41	3253-4	2	Washer-Lock
14	3296-39	3	Nut-Lock, NI	42	251-259	2	Bearing-Ball
15	120-5380-03	1	Handle-Control	44	121-4409	2	Spring-Extension
16	3234-18	1	Screw-HHF	45	117-6429	2	Lock-Trunion
17	32128-43	1	Nut-Flange	46	3256-3	2	Washer-Flat
18	3247-6	2	Screw-Set	47	94-3559	2	Screw-HSH
19	3218-3	2	Nut-Jam	48	3290-456	2	Washer-Belleville
20	115-1204	1	Plate-Neutral	49	3273-14	2	Screw-HSH
21	321-4	1	Screw-HH	50	108-9743	3	Washer-Plain
22	3296-42	1	Nut-Lock, NI	51	98-8407	1	Lever-Return, RH
23	115-4020	1	Decal-Traction	52	98-8408	1	Lever-Return, LH
24	98-1459	1	Decal	53	32151-91	1	Ring-Retaining
25	3274-2	2	Screw-HSH	54	63-2650	2	Screw-Shoulder
26	121-1123	1	Plate-Control, LH	55	108-4724	1	Spring-Extension
27	121-1122	1	Plate-Control, RH				

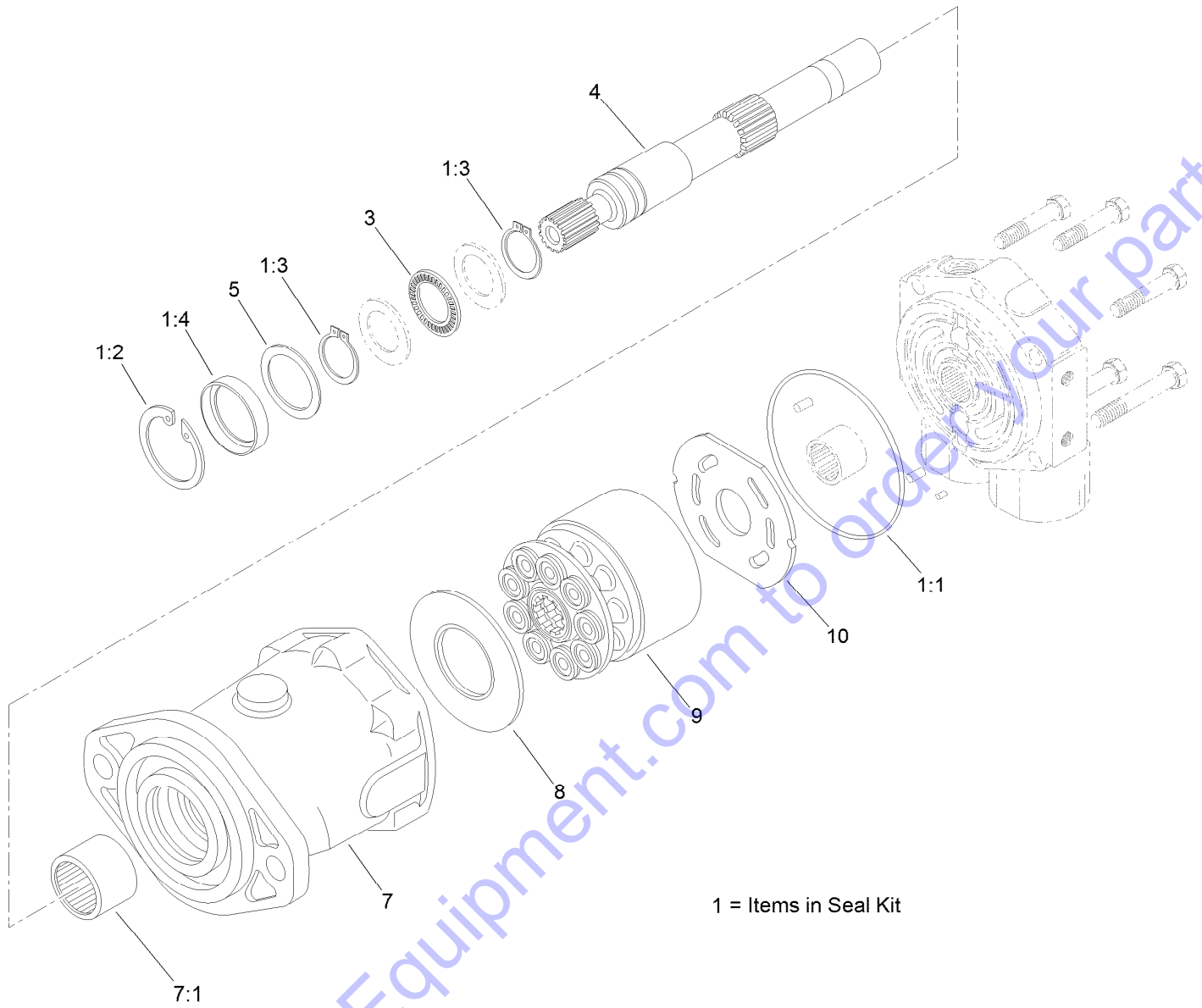
# Grinder Head Assembly



## Grinder Head Assembly (continued)

<i>Ref.</i>	<i>Part Number</i>	<i>Qty.</i>	<i>Description</i>	<i>Ref.</i>	<i>Part Number</i>	<i>Qty.</i>	<i>Description</i>
1	121-1113	2	Pin-Pivot	18	121-0860	2	Pin-Pivot
2	121-4565-01	1	Head-Pivot	19	121-4571	1	Spacer-Pivot
3	121-4575	1	Grinder Head ASM	20	104-9216	2	Washer-Hardened
3:2	93-7321	2	Decal-Danger	21	117-6327	1	Bolt-HH
3:3	107-9366	1	Decal-Warning	22	3296-53	1	Nut-Lock, NI
4	121-4458	1	Wheel Bearing Housing ASM	23	256-121	1	Washer-Thrust
4:2	121-4378	2	Bearing-Ball	24	98-4871	2	Bushing-Tension
4:3	121-0872	1	Spacer-Bearing	25	121-1112	1	Pin-Pivot, Grinder
4:4	121-4379	1	Seal-Grease	26	323-47	1	Screw-HH
5	121-4337	1	Shaft-Cutter	27	3290-357	1	Nut-HHF, Whiz
6	121-1012-03	1	Plate-Wheel, Cutter	28	99-5105	4	Bolt-Shoulder
7	104-5915	1	Washer-Lock, Bearing	29	302-5	6	Fitting-Grease
8	104-1973	1	Nut-Lock, Bearing	30	121-4557	2	Shield-Chip
9	121-4325	1	HYD Motor ASM	31	121-4558-03	2	Plate-Clamp,Chip
10	115-9384	12	Pocket-Angled	33	322-6	20	Screw-HH
11	115-9388	4	Pocket-Straight	34	3296-29	20	Nut-Lock, NI
12	121-4318	16	Bolt-HSH	35	325-5	6	Screw-HH
13	115-9385	16	Grinder Tooth ASM	36	302-34	1	Fitting-Lube
13:1	3296-39	1	Nut-Lock, NI	37	121-0875	1	Plug-Shaft, Cutter
13:2	121-4365	1	Spacer-Tooth	38	121-1955	1	HYD Cylinder ASM
14	3234-6	2	Screw-HHF	41	302-11	1	Fitting-Lube, 45 DEG
15	121-1956	1	HYD Cylinder ASM	42	104-0015	2	Bushing-Flange
16	3234-27	8	Screw-HHF	45	104-3989	2	Decal
17	32128-49	14	Nut-HHF	48	121-4548-03	1	Plate-Mount,Guard

# Hydraulic Motor Assembly No. 121-4325



Go to Discount-Equipment.com to order your parts

# Hydraulic Motor Assembly No. 121-4325 (continued)

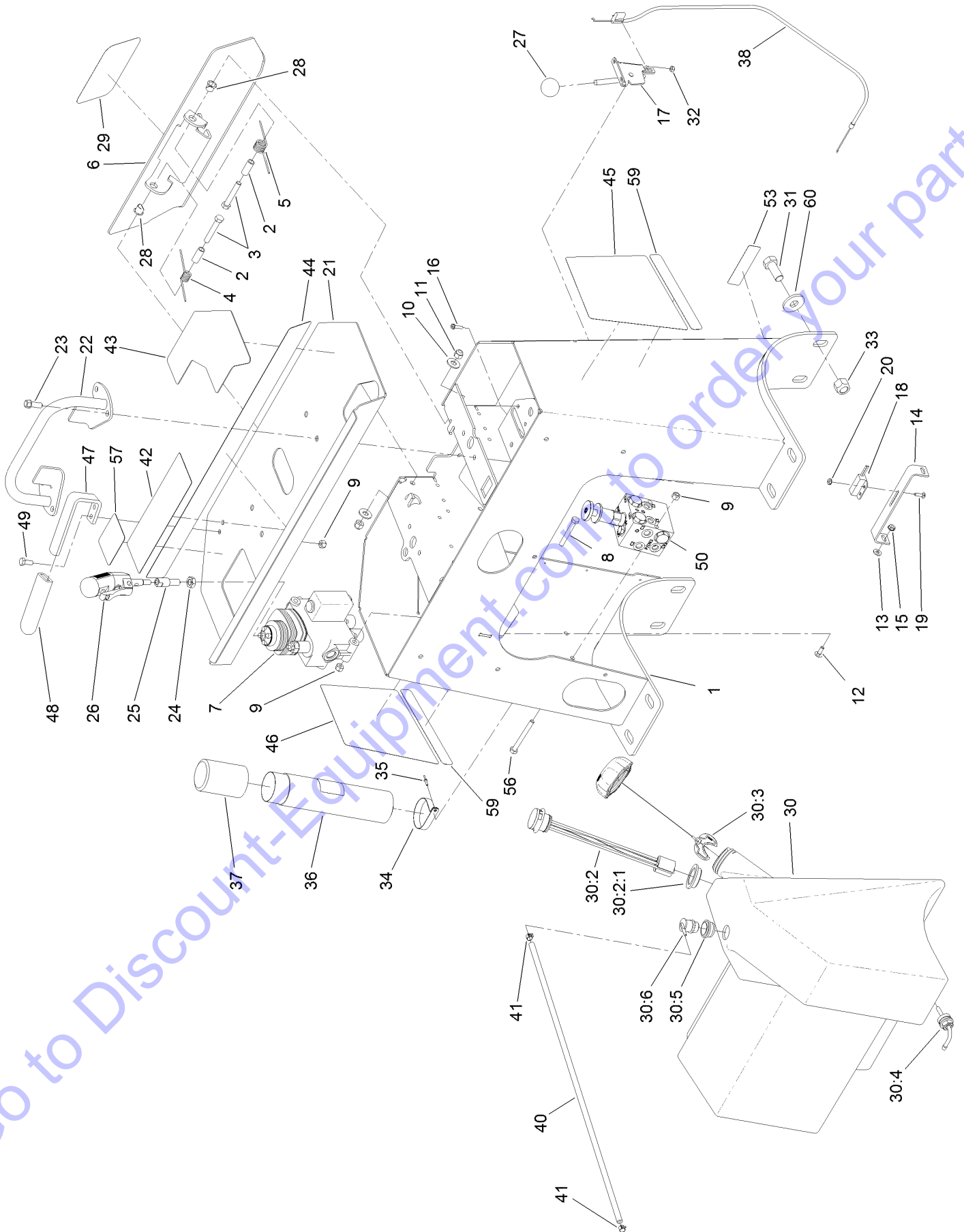
<i>Ref.</i>	<i>Part Number</i>	<i>Qty.</i>	<i>Description</i>
1	106-6876	1	Seal Kit
1:1		1	O-Ring ●
1:2	76-7010	1	Ring-Retaining
1:3	76-7000	2	Ring-Retaining
1:4		1	Seal-Shaft ●
3	76-6960	1	Bearing-Thrust
4	106-6874	1	Shaft-Drive

<i>Ref.</i>	<i>Part Number</i>	<i>Qty.</i>	<i>Description</i>
5	60-6240	1	Washer
7	105-2852	1	Housing ASM
7:1		1	Bearing-Needle ●
8	76-6970	1	Insert-Plate, Cam
9	106-6875	1	Rotating Kit
10	94-3003	1	Plate-Valve

Go to Discount-Equipment.com to order your parts

● Not serviced separately

# Tower and Fuel Tank Assembly

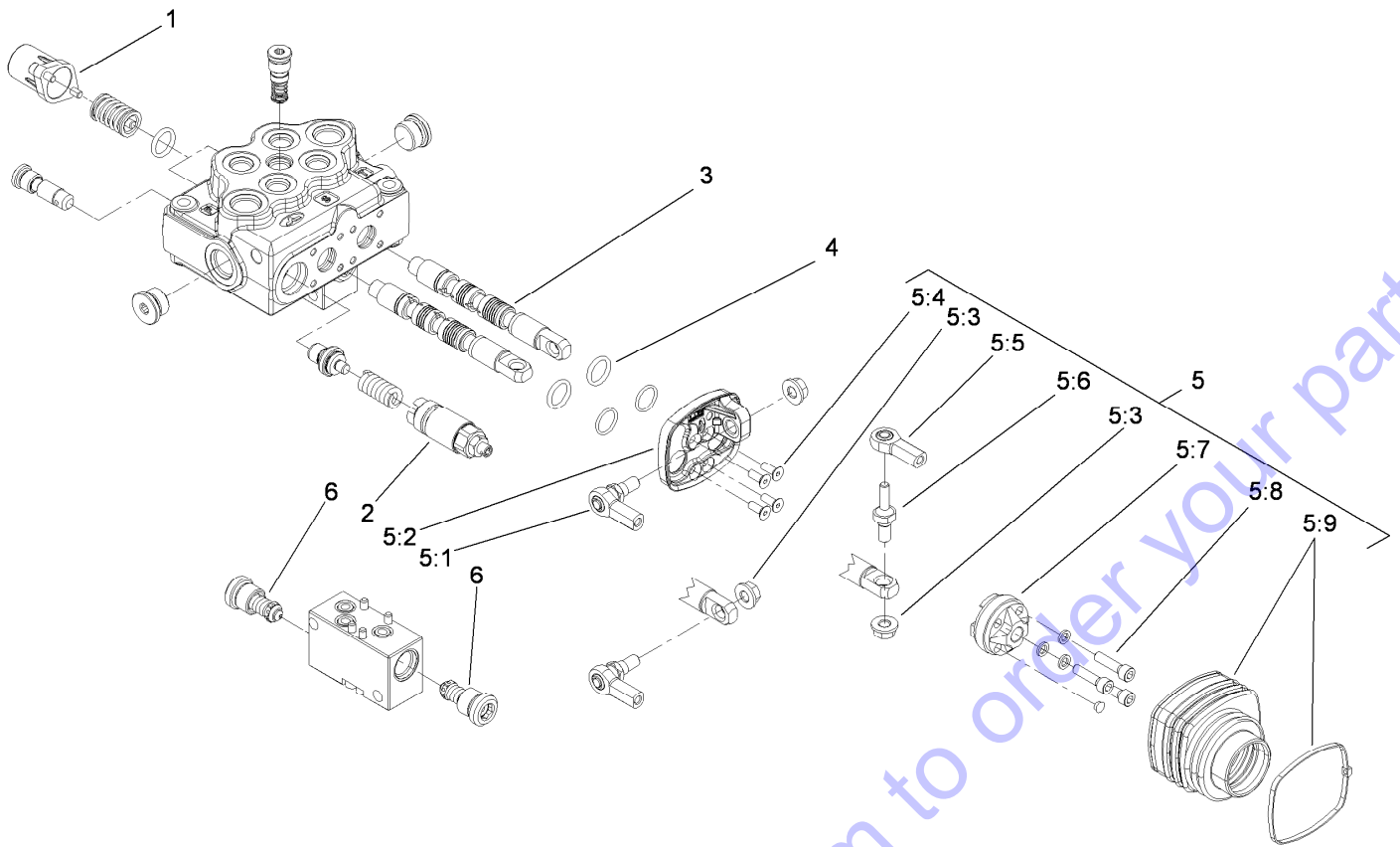


Go to Discount-Equipment.com to order your parts

## Tower and Fuel Tank Assembly (continued)

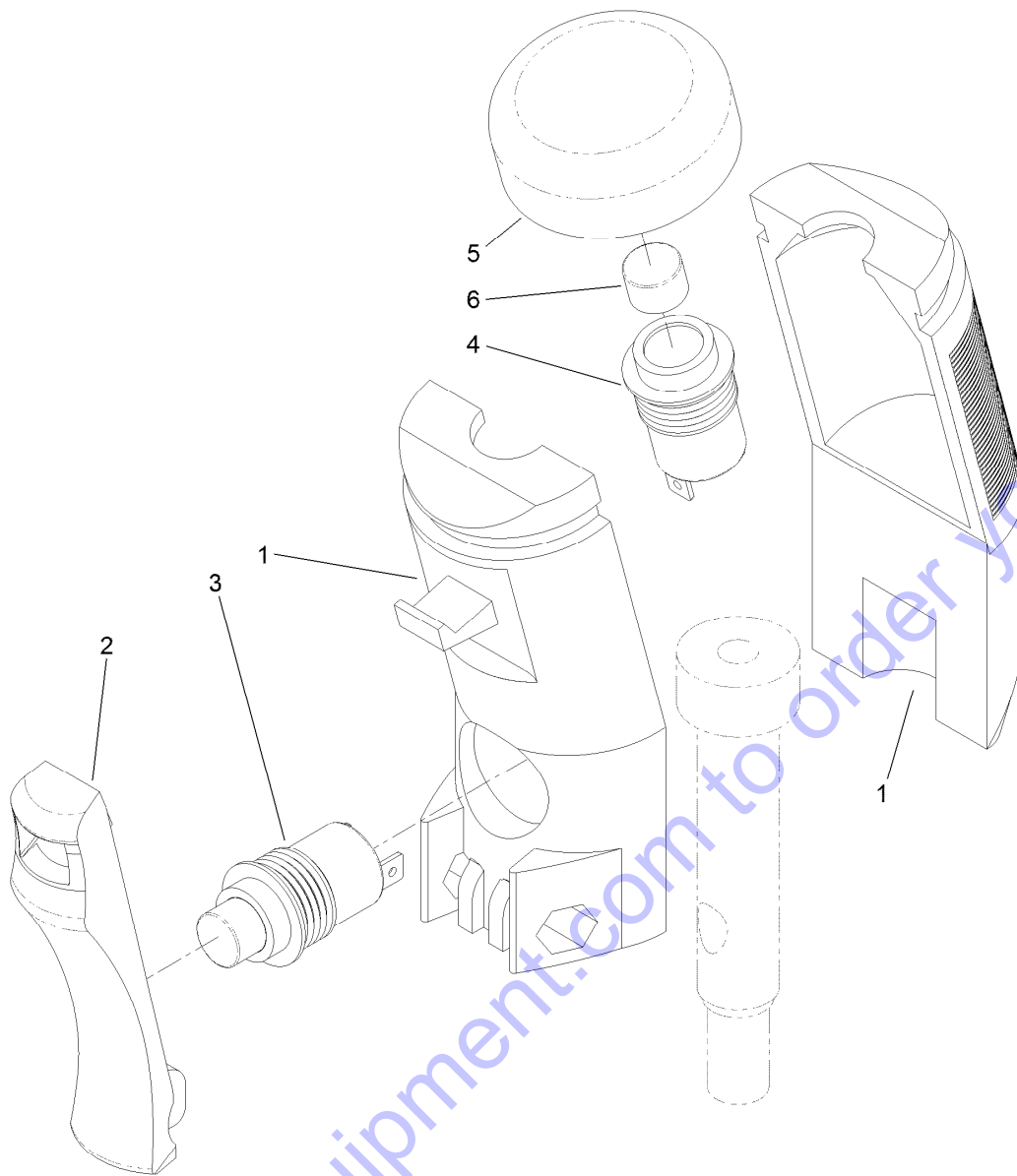
<i>Ref.</i>	<i>Part Number</i>	<i>Qty.</i>	<i>Description</i>	<i>Ref.</i>	<i>Part Number</i>	<i>Qty.</i>	<i>Description</i>
1	121-4568-01	1	Tower	30:2	117-8362	1	Guage-Fuel
2	114-1337	2	Spacer-Spring	30:2:1	117-8403	1	Seal
3	323-11	2	Screw-HH	30:3	115-7788	1	Cap-Fuel
4	98-8425	1	Spring-Torsion, LH	30:4	103-2605	1	Fitting-Fuel, Bulkhead
5	98-8424	1	Spring-Torsion, RH	30:5	114-0284	1	Grommet
6	121-1110-03	1	Plate-Backup	30:6	114-0285	1	Valve-Rollover
7	119-4585	1	HYD Valve ASM	31	327-4	8	Screw-HH
8	322-12	3	Screw-HH	32	3296-2	2	Nut-Lock, NI
9	3296-29	7	Nut-Lock, NI	33	3296-53	8	Nut-Lock, NI
10	3256-4	2	Washer-Flat	34	2412-120	2	Clamp-R
11	3296-39	2	Nut-Lock, NI	35	3269-17	2	Rivet-Pop
12	3229-1	2	Bolt-CARR	36	104-7050	1	Tube-Manual
13	3256-22	2	Washer-Flat	37	104-7048	1	Cap-Housing
14	100-1263	1	Plate-Switch	38	115-1211	1	Cable-Control
15	32149-2	2	Nut-Keps	40	110-3254	1	Hose-Fuel
16	32105-13	2	Screw-HWH	41	2412-80	2	Clamp-Hose
17	108-9730	1	Lever-Control	42	119-4606	1	Decal-Warning
18	100-1270	1	Switch-Proximity	43	130-7580	1	Decal-Console, LH
19	3229-20	2	Screw-CARR	44	121-4382	1	Decal-Console, RH
20	32149-7	2	Nut-Keps	45	130-7575	1	Decal-Logo,LH
21	121-4534	1	Cover-Control	46	130-7576	1	Decal-Logo,RH
22	106-7715	1	Bar-Reference	47	125-3570-03	1	Bar-Arm Rest
23	95-1726	4	Screw-Taptite	48	1-633268	1	Grip-Lever
24	51-2070	1	Nut	49	322-3	2	Screw-HH
25	119-5103	1	Adapter-Handle	50	121-4466	1	Sweep Manifold ASM
26	119-4587	1	Two Button Handle Grip ASM	53	117-2718	1	Decal-Arrester, Spark
27	233-42	2	Knob	56	322-14	2	Screw-HH
28	256-257	2	Bushing-Nyliner	57	121-4402	1	Decal-Joystick
29	105-1217	1	Decal	59	130-7577	2	Decal-Intellisweep
30	121-4350	1	Fuel Tank ASM	60	104-9216	8	Washer-Hardened





## Control Valve Assembly No. 119-4585

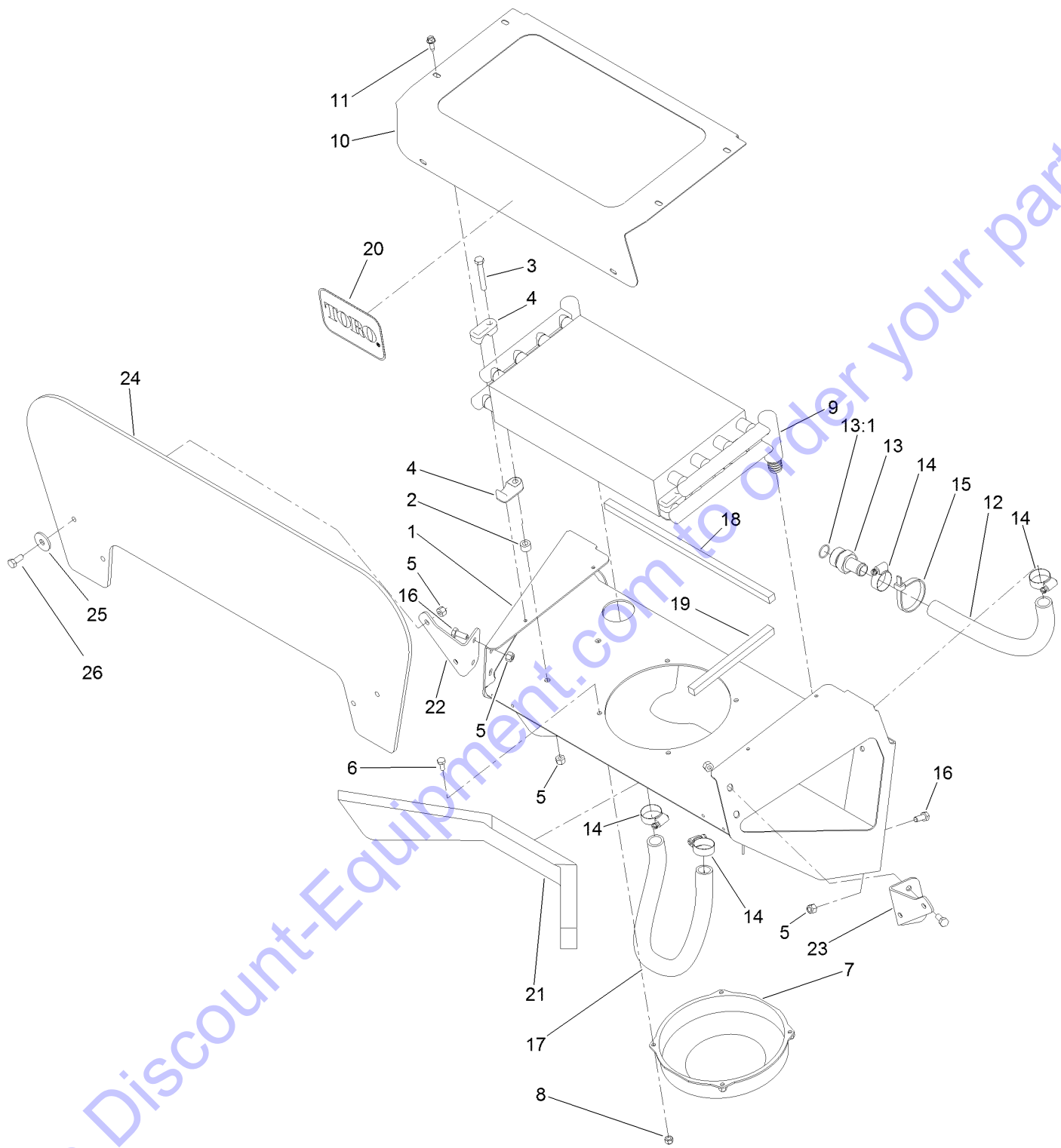
Ref.	Part Number	Qty.	Description
1	100-8801	2	High Force Spring Kit
2	100-8805	1	Valve-Relief
3	114-8625	2	Valve-Spool
4	106-7719	4	Seal-Valve
5	119-4622	1	Joystick Kit
5:1	119-4623	2	Joint-Joystick
5:2	119-4624	1	Base-Joystick
5:3	117-1350	3	Nut-HF, Lock
5:4	119-4625	4	Screw-Joystick
5:5	119-4626	1	Joint-Joystick
5:6	119-4627	1	Pin-Spool
5:7	119-4628	1	Holder-Joystick
5:8	3273-42	3	Screw-HSH
5:9	119-4629	1	Boot-Joystick
6	119-4630	2	Valve Kit



## Two-Button Handle Grip Assembly No. 119-4587

Ref.	Part Number	Qty.	Description
1	119-4637	1	Halve-Handle
2	119-4638	1	Lever-Handle
3	119-4639	1	Button-Push, Lever
4	119-4640	1	Button-Push, Top
5	119-4641	1	Boot-Button
6	119-4642	1	Button-Actuator

# Cooler Assembly



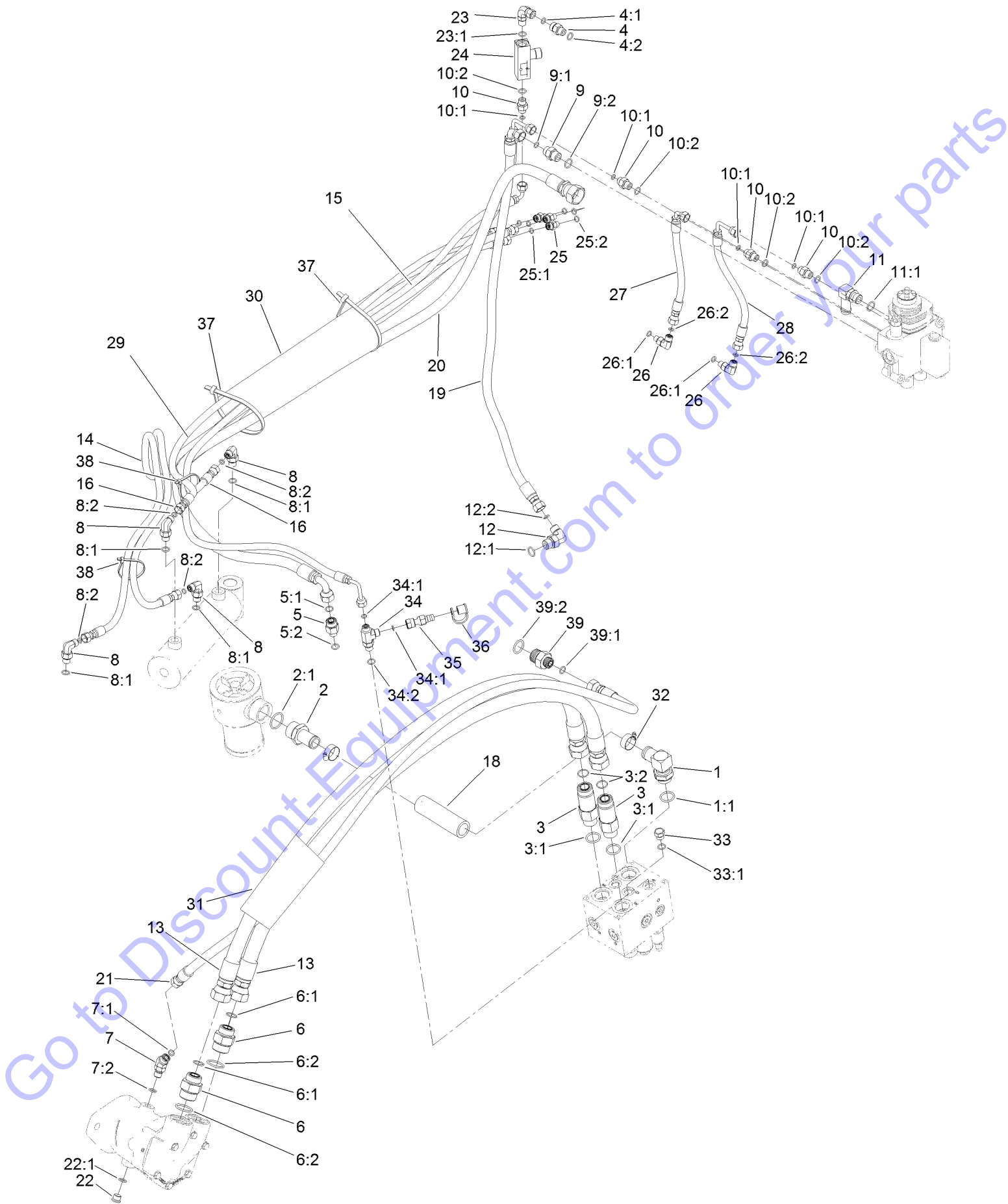
Go to Discount-Equipment.com to order your parts

## Cooler Assembly (continued)

<i>Ref.</i>	<i>Part Number</i>	<i>Qty.</i>	<i>Description</i>	<i>Ref.</i>	<i>Part Number</i>	<i>Qty.</i>	<i>Description</i>
1	121-1180-01	1	Mount-Cooler	14	2412-129	4	Clamp-Hose
2	98-4695	4	Spacer	15	3334-945	1	Tie-Cable
3	322-11	4	Screw-HH	16	322-3	8	Screw-HH
4	105-3943	8	Clamp-Cooler, Oil	17	125-0266	1	Hose-Return
5	3296-29	16	Nut-Lock, NI	18	125-0319	2	Foam-Seal
6	321-3	4	Screw-HH	19	125-0324	2	Foam-Seal
7	120-7390	1	Fan	20	104-3989	1	Decal
8	3296-42	4	Nut-Lock, NI	21	125-0316	1	Foam-Seal
9	117-6320	1	Cooler-Oil	22	125-0350-01	1	Bracket-Shield, RH
10	125-0308-01	1	Cover-Cooler	23	125-0351-01	1	Bracket-Shield, LH
11	32104-95	6	Screw-HWH	24	125-0340	1	Shield-Chip
12	121-4537	1	Hose-HYD	25	63-8410	4	Washer
13	107-8652	1	Fitting-Straight	26	322-4	4	Screw-HH
13:1	237-58	1	O-Ring				

Go to Discount-Equipment.com to order your parts

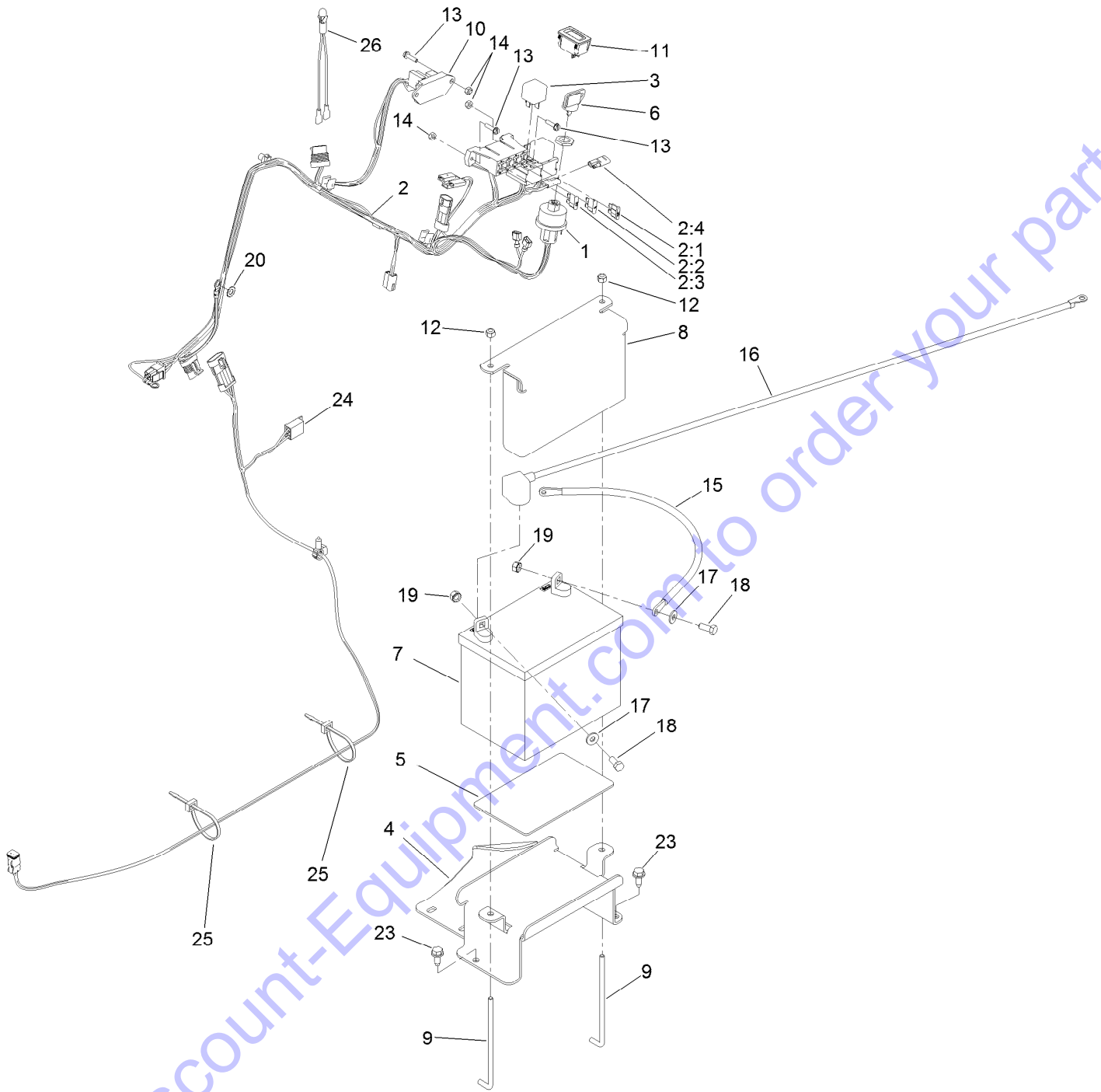
# Hydraulic Hose Routing Assembly



## Hydraulic Hose Routing Assembly (continued)

<i>Ref.</i>	<i>Part Number</i>	<i>Qty.</i>	<i>Description</i>	<i>Ref.</i>	<i>Part Number</i>	<i>Qty.</i>	<i>Description</i>
1	100-4202	1	Fitting-HYD, 90 DEG	15	121-4346	1	Hose-HYD
1:1	237-81	1	O-Ring	16	121-4347	2	Hose-HYD
2	354-78	1	Connector-Hose	18	121-4341	1	Hose-Return
2:1	237-146	1	O-Ring	19	121-1199	1	Hose-HYD
3	92-6058	2	Fitting-HYD	20	121-4344	1	Hose-HYD
3:1	237-81	1	O-Ring	21	130-7574	1	Hose-HYD
3:2	237-58	1	O-Ring	22	353-989	1	Plug-Hex, Hollow
4	340-2	1	Fitting-HYD, Straight	22:1	237-42	1	O-Ring
4:1	237-22	1	O-Ring	23	340-110	1	Fitting-Swivel, 90 DEG
4:2	237-42	1	O-Ring	23:1	237-42	1	O-Ring
5	340-5	1	Fitting-Straight	24	98-9742	1	Valve-Control, Flow
5:1	237-42	1	O-Ring	25	340-92	3	Fitting-HYD, Straight
5:2	237-30	1	O-Ring	25:1	237-78	1	O-Ring
6	340-91	2	Adapter	25:2	237-21	1	O-Ring
6:1	237-58	1	O-Ring	26	340-132	2	Fitting-HYD, 90 DEG
6:2	237-146	1	O-Ring	26:1	237-78	1	O-Ring
7	340-87	1	Fitting-HYD, 45 DEG	26:2	237-21	1	O-Ring
7:1	237-22	1	O-Ring	27	121-4455	1	Hose-HYD
7:2	237-42	1	O-Ring	28	121-4456	1	Hose-HYD
8	340-82	4	Adapter ASM	29	119-4601	1	Hose-HYD
8:1	237-42	1	O-Ring	30	121-4454	1	Sleeve-Protective
8:2	237-21	1	O-Ring	31	99-5648	1	Sleeve-Protective
9	340-3	1	Adapter	32	2412-34	2	Clamp-Hose
9:1	237-22	1	O-Ring	33	353-508	1	Plug-HH
9:2	237-79	1	O-Ring	33:1	237-42	1	O-Ring
10	340-1	4	Fitting-HYD, Straight	34	108-5688	1	Fitting-Tee
10:1	237-21	1	O-Ring	34:1	237-21	2	O-Ring
10:2	237-42	1	O-Ring	34:2	237-42	1	O-Ring
11	353-954	1	Adapter	35	115-8886	1	Nipple-Test
11:1	237-79	1	O-Ring	36	354-79	1	Cap-Dust
12	340-18	1	Fitting-HYD, 90 DEG	37	3334-945	2	Tie-Cable
12:1	237-79	1	O-Ring	38	3290-379	2	Tie-Cable
12:2	237-22	1	O-Ring	39	100-4240	1	Fitting-Adapter
13	121-4342	2	Hose-HYD	39:1	237-30	1	O-Ring
14	121-4345	1	Hose-HYD	39:2	237-81	1	O-Ring

# Electrical Assembly



Go to Discount-Equipment.com to order your parts

## Electrical Assembly (continued)

<i>Ref.</i>	<i>Part Number</i>	<i>Qty.</i>	<i>Description</i>	<i>Ref.</i>	<i>Part Number</i>	<i>Qty.</i>	<i>Description</i>
1	103990	1	Switch-Ignition	11	120-2244	1	Hourmeter
2	130-7572	1	Harness-Wire	12	3296-42	2	Nut-Lock, NI
2:1	109103	1	Fuse-Blade, 30 Amp	13	32105-13	5	Screw-HWH
2:2	110928	1	Fuse-Blade, 5 Amp	14	3296-2	5	Nut-Lock, NI
2:3	109101	1	Fuse-Blade, 20 Amp	15	106-8945	1	Cable-Battery, Positive
2:4	116-0053	1	Cap-Plug	16	121-4437	1	Cable-Battery, Negative
3	98-7249	2	Relay	17	3256-2	2	Washer-Flat
4	127-9643-01	1	Tray-Battery	18	322-3	2	Screw-HH
5	62-4300	1	Pad-Skid, Anti	19	32149-1	2	Nut-Keps
6	63-8360	1	Key-Ignition	20	3255-8	1	Washer-Lock
7	104-4657	1	Battery-Wet	23	32144-70	2	Screw-HWHTF
8	115-6621-03	1	Plate-Hold Down, Battery	24	121-4319	1	Harness-Wire
9	104-8567	2	Holdown-Battery	25	3290-378	2	Tie-Cable
10	100-6170	1	Module-Delay	26	1-643267	1	Indicator-Led, Red

Go to Discount-Equipment.com to order your parts



# PARTS FINDER

**Search Website  
by Part Number**



**Search Manual  
Library For Parts  
Manual & Lookup Part  
Numbers – Purchase  
or Request Quote**

**Search Manuals**

Enter your information to help us find the right parts manual for your machine.

\* Brand:

\* Model:

\* Serial:

\* Part Number:

SEARCH

**Can't Find Part or  
Manual? Request Help  
by Manufacturer,  
Model & Description**

**Parts Order Form**

Please fill in the following information to help us find the right part for your machine.

MANUFACTURER:

MODEL:

DESCRIPTION:

DATE:

TIME:

PHONE:

EMAIL:

ADDRESS:

CITY:

STATE:

ZIP:

COUNTRY:

SEARCH

Discount-Equipment.com is your online resource for quality parts & equipment.

Florida: **561-964-4949** Outside Florida TOLL FREE: **877-690-3101**

**Need parts?**

Click on this link: <http://www.discount-equipment.com/category/5443-parts/> and choose one of the options to help get the right parts and equipment you are looking for. Please have the machine model and serial number available in order to help us get you the correct parts. If you don't find the part on the website or on one of the online manuals, please fill out the request form and one of our experienced staff members will get back to you with a quote for the right part that your machine needs.

We sell worldwide for the brands: Genie, Terex, JLG, MultiQuip, Mikasa, Essick, Whiteman, Mayco, Toro Stone, Diamond Products, Generac Magnum, Airman, Haulotte, Barreto, Power Blanket, Nifty Lift, Atlas Copco, Chicago Pneumatic, Allmand, Miller Curber, Skyjack, Lull, Skytrak, Tsurumi, Husquvarna Target, Stow, Wacker, Sakai, Mi-T-M, Sullair, Basic, Dynapac, MBW, Weber, Bartell, Bennar Newman, Haulotte, Ditch Runner, Menegotti, Morrison, Contec, Buddy, Crown, Edco, Wyco, Bomag, Laymor, EZ Trench, Bil-Jax, F.S. Curtis, Gehl Pavers, Heli, Honda, ICS/PowerGrit, IHI, Partner, Imer, Clipper, MMD, Koshin, Rice, CH&E, General Equipment, Amida, Coleman, NAC, Gradall, Square Shooter, Kent, Stanley, Tamco, Toku, Hatz, Kohler, Robin, Wisconsin, Northrock, Oztec, Toker TK, Rol-Air, APT, Wylie, Ingersoll Rand / Doosan, Innovatech, Con X, Ammann, Mecalac, Makinex, Smith Surface Prep, Small Line, Wanco, Yanmar



**Count on it.**



[www.discount-equipment.com](http://www.discount-equipment.com)

Go to [Discount-Equipment.com](http://Discount-Equipment.com) to order your parts