



Count on it.

Parts Catalog

STX-38 EFI

Stump Grinder with Intelli-Sweep®

Model No. 23214—Serial No. 405800000 and Up

Go to Discount-Equipment.com to order your parts



www.discount-equipment.com



PARTS FINDER

**Search Website
by Part Number**



**Search Manual
Library For Parts
Manual & Lookup Part
Numbers – Purchase
or Request Quote**

Search Manuals

Enter your information to help us find the right parts manual for your machine.

* Brand:

* Model:

* Serial:

* Part Number:

SEARCH

**Can't Find Part or
Manual? Request Help
by Manufacturer,
Model & Description**

Parts Order Form

Please fill in the following information to help us find the right part for your machine.

Manufacturer:	<input type="text"/>
Model:	<input type="text"/>
Description:	<input type="text"/>
Part Number:	<input type="text"/>
Quantity:	<input type="text"/>
Notes:	<input type="text"/>

Discount-Equipment.com is your online resource for quality parts & equipment.

Florida: **561-964-4949** Outside Florida TOLL FREE: **877-690-3101**

Need parts?

Click on this link: <http://www.discount-equipment.com/category/5443-parts/> and choose one of the options to help get the right parts and equipment you are looking for. Please have the machine model and serial number available in order to help us get you the correct parts. If you don't find the part on the website or on one of the online manuals, please fill out the request form and one of our experienced staff members will get back to you with a quote for the right part that your machine needs.

We sell worldwide for the brands: Genie, Terex, JLG, MultiQuip, Mikasa, Essick, Whiteman, Mayco, Toro Stone, Diamond Products, Generac Magnum, Airman, Haulotte, Barreto, Power Blanket, Nifty Lift, Atlas Copco, Chicago Pneumatic, Allmand, Miller Curber, Skyjack, Lull, Skytrak, Tsurumi, Husquvarna Target, Stow, Wacker, Sakai, Mi-T-M, Sullair, Basic, Dynapac, MBW, Weber, Bartell, Bennar Newman, Haulotte, Ditch Runner, Menegotti, Morrison, Contec, Buddy, Crown, Edco, Wyco, Bomag, Laymor, EZ Trench, Bil-Jax, F.S. Curtis, Gehl Pavers, Heli, Honda, ICS/PowerGrit, IHI, Partner, Imer, Clipper, MMD, Koshin, Rice, CH&E, General Equipment, Amida, Coleman, NAC, Gradall, Square Shooter, Kent, Stanley, Tamco, Toku, Hatz, Kohler, Robin, Wisconsin, Northrock, Oztec, Toker TK, Rol-Air, APT, Wylie, Ingersoll Rand / Doosan, Innovatech, Con X, Ammann, Mecalac, Makinex, Smith Surface Prep, Small Line, Wanco, Yanmar

Ordering Replacement Parts

To order replacement parts, please supply the part number, the quantity, and the description of each part desired.

Understanding Reference Numbers

Each identified part in an illustration has a reference number. The reference number for a part also appears in the parts list, along with other information about the part.

This catalog uses two special reference number formats, one to indicate parts in a service assembly and another to indicate the quantity of a given part in an illustration.

Service Assembly Reference Numbers

Parts in service assemblies have reference numbers in the form a:b. The a represents the reference number of the entire service assembly and the b represents a sequential number unique to each part within the service assembly.

For example, a wheel assembly might be identified by reference number 6, the tire by 6:1, the valve by 6:2, and the wheel by 6:3. When you order the assembly identified by reference number 6, you receive all parts identified by reference numbers 6:1, 6:2, and 6:3. However, you may also order any part individually. Reference numbers of this type appear in illustration and in parts lists.

Reference Numbers Indicating Quantity

In an illustration, if a reference number indicates more than one part, the reference number has the form nX y. The n represents the quantity of the part, the X is the multiplication symbol, and the y represents the reference number.

For example, in an illustration, the reference number 2X 37 means that two of the parts identified by reference number 37 are indicated.

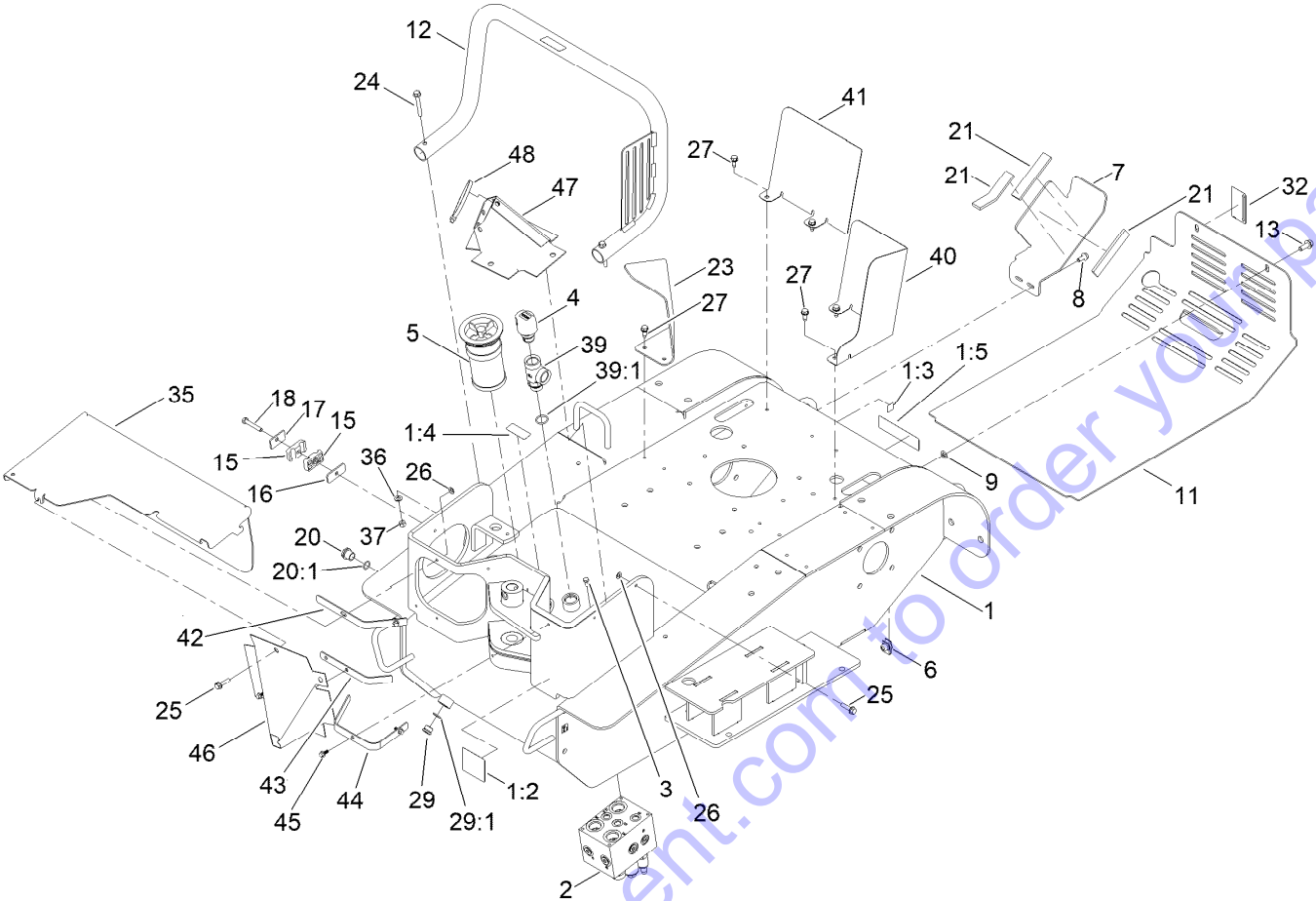
Go to Discount-Equipment.com to order your parts

Contents

Main Frame Assembly	4
Cutter Valve Assembly No. 121-1022	6
Track and Drive Assembly	8
Hydraulic Motor Assembly No. 121-1957	10
Parking Brake Assembly	12
Engine Assembly	14
Control Assembly	16
Grinder Head Assembly	18
Hydraulic Motor Assembly No. 121-4325	20
Hydraulic Cylinder Assembly No. 121-1955	22
Tower and Fuel Tank Assembly	24
Control Valve Assembly No. 119-4585	26
Two-Button Handle Grip Assembly No. 119-4587	27
Cooler Assembly	28
Hydraulic Hose Routing Assembly	30
Electrical Assembly	32

Go to Discount-Equipment.com to order your parts

Main Frame Assembly



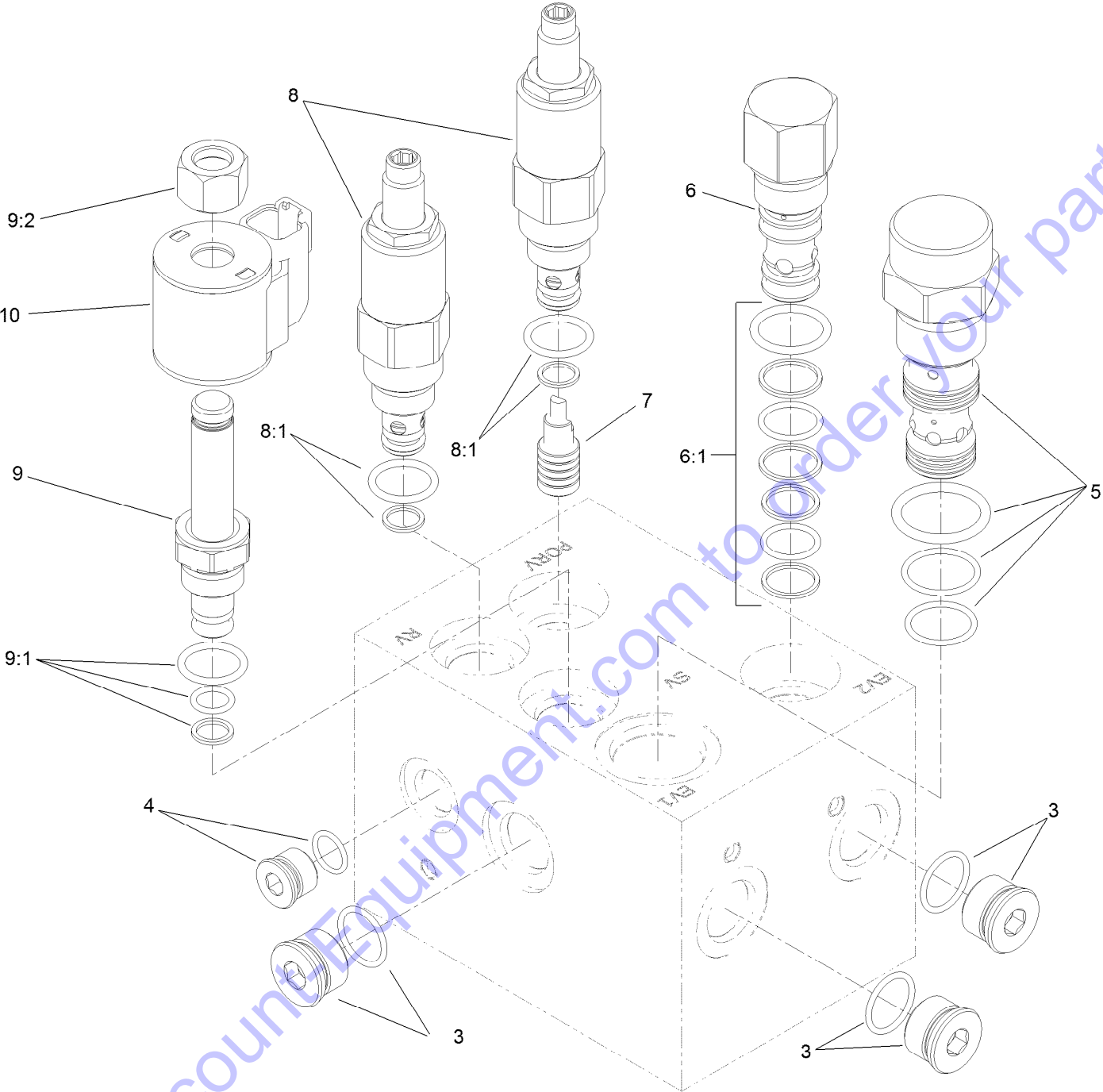
Go to Discount-Equipment.com to order your parts

Main Frame Assembly (continued)

<i>Ref.</i>	<i>Part Number</i>	<i>Qty.</i>	<i>Description</i>	<i>Ref.</i>	<i>Part Number</i>	<i>Qty.</i>	<i>Description</i>
1	131-0747	1	Frame-Main	24	135-6323	2	Screw-HHF
1:2	100-4650	1	Decal-Warning	25	3234-36	2	Screw-HHF
1:3	93-9084	4	Decal-Point, Lift	26	117-2749	2	Nut-Push
1:4	93-6686	1	Decal-Oil, HYD	27	32144-70	6	Screw-HWHTF
1:5	93-7814	1	Decal-Danger	28	1-523420	2	Bumper ●
2	121-1022	1	Valve-Cutter	29	353-988	1	Plug-Hex
3	321-3	4	Screw-HH	29:1	237-79	1	O-Ring
4	115-9793	1	Breather	30	32128-33	2	Nut-HF ●
5	115-5745	1	Cartridge-Filter	32	93-9363	1	Decal-Brake, Parking
6	105-4886	2	Nut-Tinnerman	35	140-3615-03	1	Cover, Hydraulic
7	121-1141-01	1	Bracket-Tank	36	3256-23	2	Washer-Plain
8	3234-47	2	Screw-HHF	37	3296-29	2	Nut-Lock, NI
9	107-3154	2	Nut-Push	39	130-7571	1	Fitting-Tee
11	121-4532	1	Cover-Rear	39:1	237-81	1	O-Ring
12	140-7612	1	Muffler Guard Decal ASM	40	138-9891	1	Bracket-Deflector
13	3234-11	2	Screw-HHF	41	138-9893	1	Bracket-Deflector 2
15	56-7976	2	Clamp-Tube	42	140-3625	1	Bracket-Frame, Top
16	119-4636	1	Plate-Clamp	43	138-5201	1	Bracket-Frame, Bottom
17	69-9760	1	Plate-Cover	44	138-5227	1	Bracket-Boot
18	322-10	1	Screw-HH	45	99-6810	5	Screw-HHF
20	114-3075	1	Sight Glass ASM	46	140-3580	1	Cover, Canvas Cylinder
20:1	237-79	1	O-Ring	47	140-3581	1	Cover, Canvas HYD Hoses
21	121-0894	3	Pad-Foam	48	3334-945	1	Tie-Cable
23	131-0640-01	1	Plate-Deflector, RH				

● Not illustrated

Cutter Valve Assembly No. 121-1022



Go to DiscountEquipment.com to order your parts

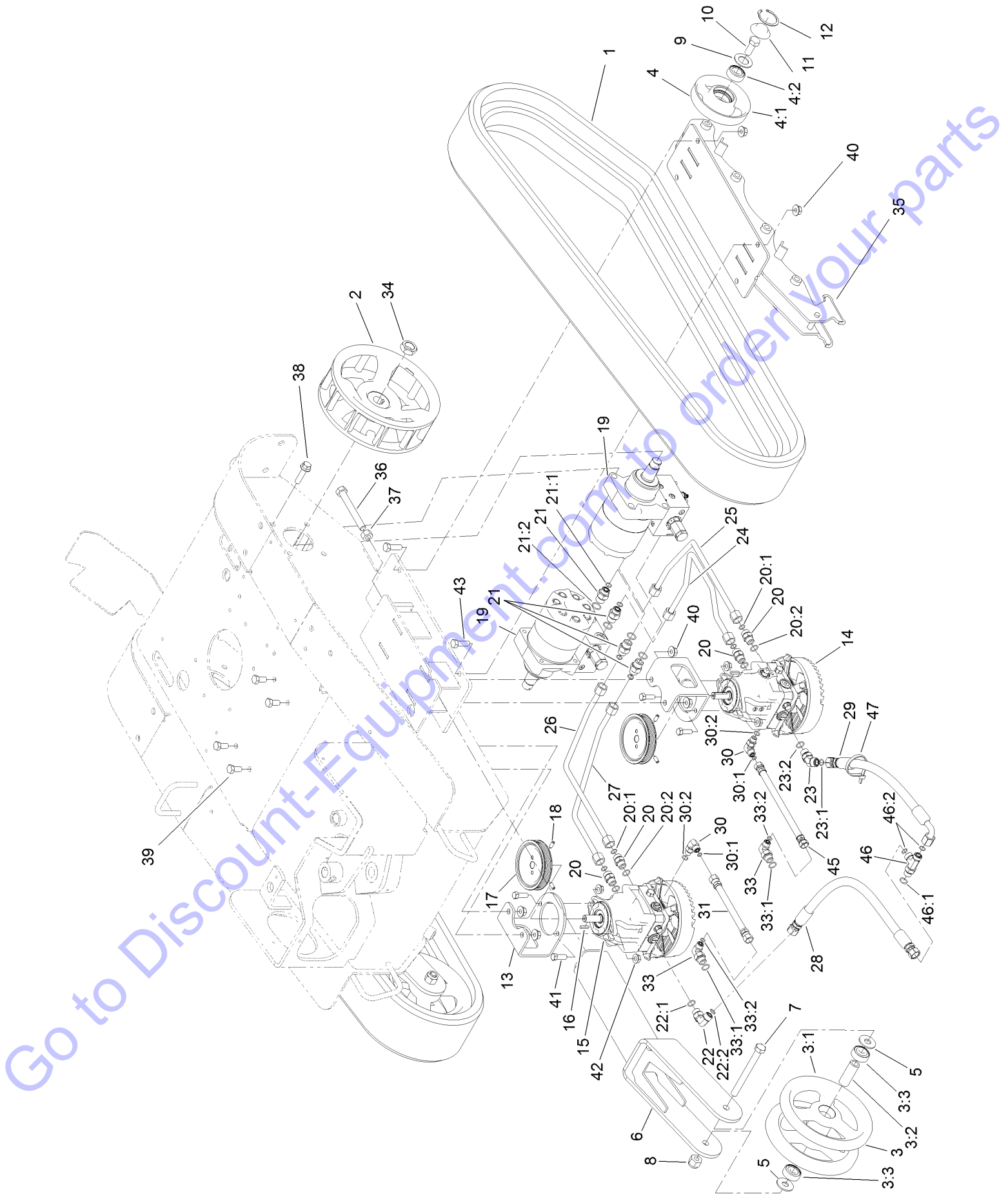
Cutter Valve Assembly No. 121-1022 (continued)

<i>Ref.</i>	<i>Part Number</i>	<i>Qty.</i>	<i>Description</i>	<i>Ref.</i>	<i>Part Number</i>	<i>Qty.</i>	<i>Description</i>
3	106-1027	3	Plug	8	119-4620	2	Valve-Relief
4	112-9213	1	Plug	8:1	105-9156	1	Seal Kit
5	121-4561	1	Element-Logic, Vented	9	107-7517	1	Valve-Solenoid
6	105-9153	1	Element-Logic, Vented	9:1	105-9156	1	Seal Kit
6:1	119-2159	1	Seal Kit ●	9:2	107-7812	1	Nut-Solenoid
7	105-9157	1	Piston-Pilot	10	112-0197	1	E Coil-12V DC

Go to Discount-Equipment.com to order your parts

● Not illustrated

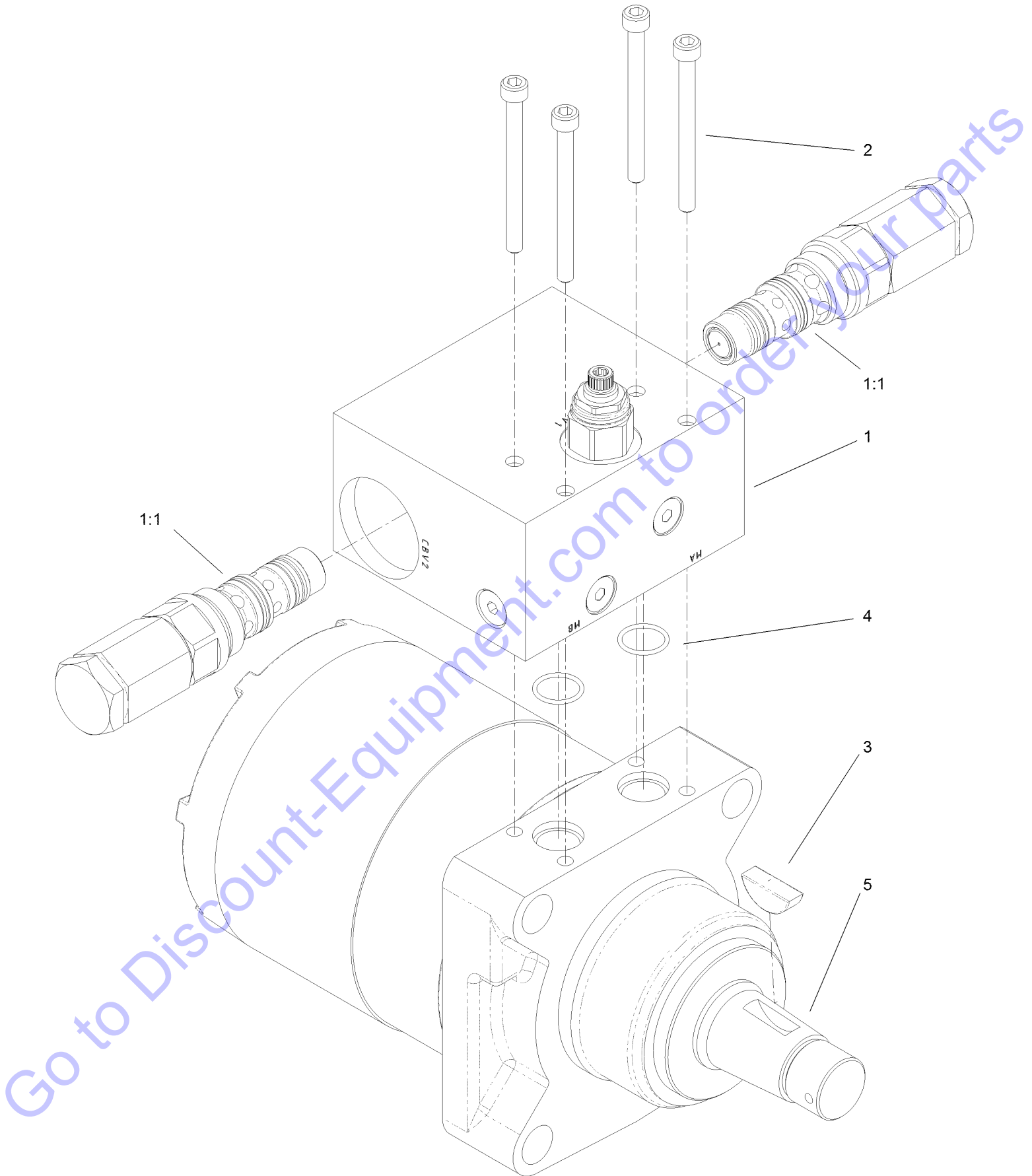
Track and Drive Assembly



Track and Drive Assembly (continued)

<i>Ref.</i>	<i>Part Number</i>	<i>Qty.</i>	<i>Description</i>	<i>Ref.</i>	<i>Part Number</i>	<i>Qty.</i>	<i>Description</i>
1	121-1021	2	Track-Rubber	22:2	237-30	1	O-Ring
2	117-6426-03	2	Wheel-Drive	23	340-101	1	Fitting-HYD, 45 DEG
3	104-5745	2	Tensioner Wheel ASM	23:1	237-30	1	O-Ring
3:1	104-5747-03	1	Wheel-Tensioner	23:2	237-79	1	O-Ring
3:2	98-9835	1	Spacer-Wheel, Tensioner	24	121-1124	1	Tube-HYD
3:3	120-5378	2	Bearing-Ball	25	121-1125	1	Tube-HYD
4	138-3139	16	Tensioner Wheel ASM	26	121-1126	1	Tube-HYD
4:1	138-7118	1	Wheel-Track	27	121-1127	1	Tube-HYD
4:2	120-5378	1	Bearing-Ball	28	131-0650	1	Hose-HYD
5	3256-7	4	Washer-Flat	29	131-0614	1	Hose-HYD
6	121-1018-03	2	Arm-Tensioner	30	340-77	2	Fitting-Elbow, 90 DEG
7	327-17	2	Screw-HH	30:1	237-22	1	O-Ring
8	3296-24	2	Nut-Hex	30:2	237-42	1	O-Ring
9	106-7585	16	Gasket-Bogie	31	94-4712	1	Hose-HYD
10	327-4	16	Screw-HH	33	340-18	2	Fitting-HYD, 90 DEG
11	106-7557	16	Cap-Wheel, Bearing	33:1	237-79	1	O-Ring
12	106-7595	16	Ring-Snap, Internal	33:2	237-22	1	O-Ring
13	115-1289-03	2	Bracket-Mount, Pump	34	106-8159	2	Nut-Lock
14	121-1953	1	Pump-HYD, LH	35	121-0883-01	2	Mount-Wheel
15	121-1954	1	Pump-HYD, RH	36	125-0357	2	Screw-HH, TAP
16	80-6090	2	Key-Pump	37	3217-11	2	Nut-Hex
17	109-2202	2	Sheave	38	3234-27	8	Screw-HHF
18	3246-6	4	Screw-Set, HSH	39	325-4	4	Screw-HH
19	121-1957	2	HYD Motor ASM	40	32128-49	12	Nut-HHF
20	340-4	4	Fitting-Straight	41	324-5	4	Screw-HH
20:1	237-30	1	O-Ring	42	32128-42	4	Nut-HF
20:2	237-79	1	O-Ring	43	325-6	8	Screw-HH
21	340-6	4	Fitting-Straight	45	76-9420	1	Hose-HYD
21:1	237-30	1	O-Ring	46	340-109	1	Fitting-Tee
21:2	237-80	1	O-Ring	46:1	237-79	1	O-Ring
22	340-98	1	Fitting-Elbow, 90 DEG	46:2	237-30	2	O-Ring
22:1	237-79	1	O-Ring	47	3334-945	1	Tie-Cable

Hydraulic Motor Assembly No. 121-1957



Hydraulic Motor Assembly No. 121-1957 (continued)

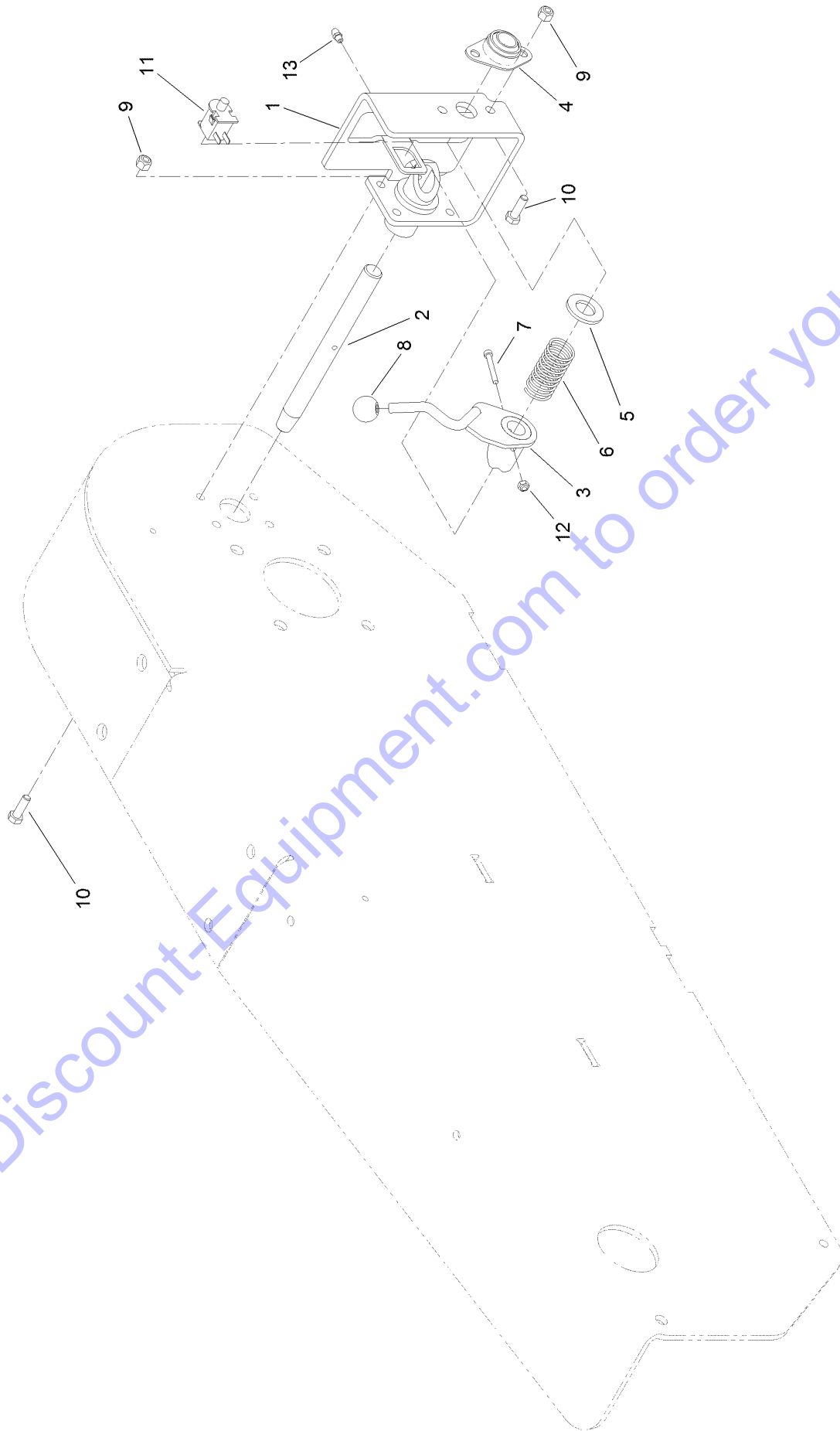
<i>Ref.</i>	<i>Part Number</i>	<i>Qty.</i>	<i>Description</i>
1	121-4464	1	Counterbalance Valve ASM
1:1	121-4463	2	Cartridge-CB
2	119-4611	4	Bolt-HSH
3	3257-42	1	Key-Woodruff

<i>Ref.</i>	<i>Part Number</i>	<i>Qty.</i>	<i>Description</i>
4	120-0691	2	O-Ring
5	76-0860	1	Shaft-Coupling
6	100-6131	1	Seal Kit ●

Go to Discount-Equipment.com to order your parts

● Not illustrated

Parking Brake Assembly



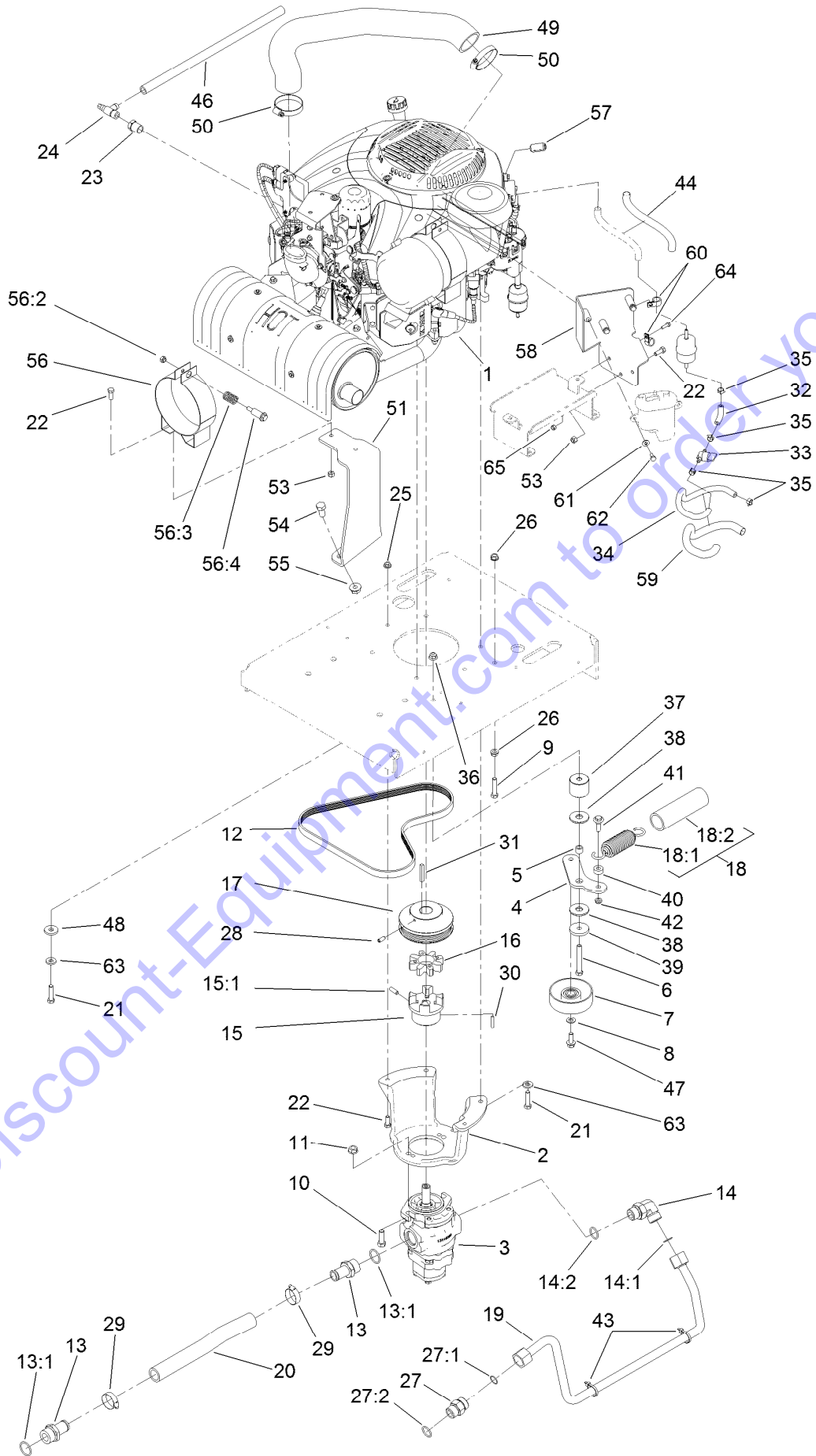
Go to Discount-Equipment.com to order your parts

Parking Brake Assembly (continued)

<i>Ref.</i>	<i>Part Number</i>	<i>Qty.</i>	<i>Description</i>	<i>Ref.</i>	<i>Part Number</i>	<i>Qty.</i>	<i>Description</i>
1	125-0259-03	1	Bracket-Brake	8	233-69	1	Knob
2	121-4352	1	Shaft-Brake	9	3296-29	6	Nut-Lock, NI
3	121-4356-03	1	Handle-Brake	10	322-5	6	Screw-HH
4	27-2320	1	Bearing	11	740275	1	Switch
5	3256-28	1	Washer-Flat	12	3296-2	1	Nut-Lock, NI
6	125-0344	1	Spring-Compression	13	302-5	1	Fitting-Grease
7	3274-59	1	Screw-HSH				

Go to Discount-Equipment.com to order your parts

Engine Assembly



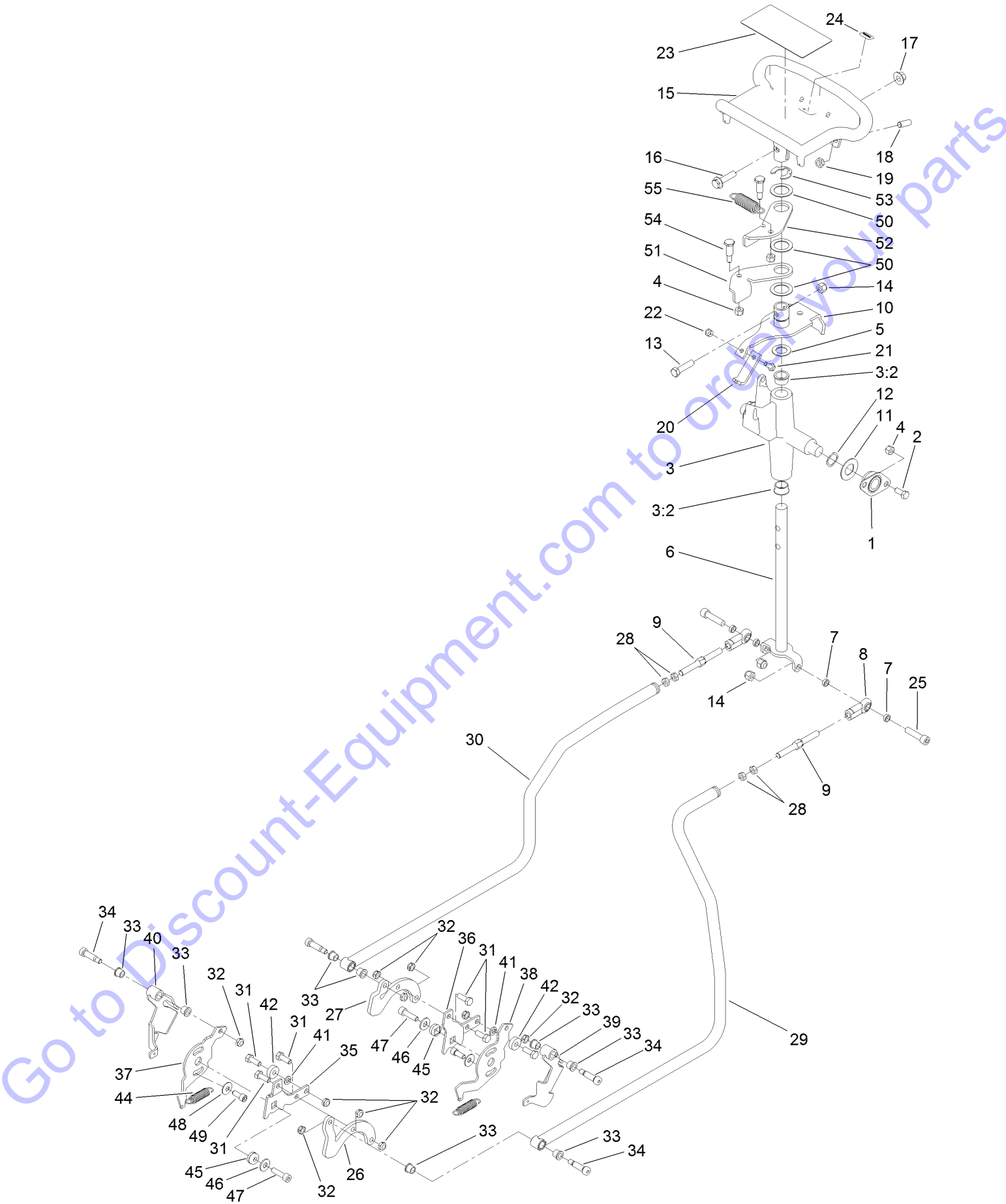
Go to Discount-Equipment.com to order your parts

Engine Assembly (continued)

Ref.	Part Number	Qty.	Description	Ref.	Part Number	Qty.	Description
1	140-3630	1	Engine-Kohler●	30	27-8590	1	Key-Square
2	132-8665-0P	1	Mount-Pump [primed]	31	608006	1	Key-Square
3	121-1952	1	Gear Pump ASM	32	99-9415	1	Hose-Fuel
4	125-0252	1	Arm-Idler	33	1-603770	1	Valve-Fuel
5	1-413088	1	Bushing-Lever, Lift	34	109-0298	1	Line-Fuel
6	323-14	1	Screw-HH	35	2412-98	4	Clamp-Hose
7	95-8802	1	Pulley-Idler	36	104-8301	1	Nut-HF, NI
8	3256-24	1	Washer-Flat	37	125-0251	1	Spacer-Idler
9	323-9	1	Screw-HH	38	114-0463	2	Washer-Friction, Composite
10	324-5	2	Screw-HH	39	110-9981	1	Washer-Plain
11	32128-37	2	Nut-HF	40	104-8426	1	Spacer
12	121-4326	1	Belt-V	41	614672	1	Screw-Shoulder, HWH
13	354-78	2	Fitting-STR	42	3296-59	1	Nut-Lock, NI
13:1	237-146	1	O-Ring	43	3290-379	2	Tie-Cable
14	340-142	1	Fitting-Elbow, 90 DEG	44	131-0736	1	Sleeve-Thermal
14:1	237-58	1	O-Ring	46	98-4667	1	Hose
14:2	237-81	1	O-Ring	47	3234-11	1	Screw-HHF
15	121-4330	1	Hub-Coupler	48	1-373034	2	Washer
15:1	100-7594	1	Screw-Set	49	131-0616	1	Hose-Intake, Air
16	104-3542	1	Spider	50	2412-42	2	Clamp-Hose
17	121-1028	1	Pulley-Engine	51	131-0730-01	1	Plate-Mount, Filter
18	138-3161	1	Spring And Retainer Kit	53	3296-29	4	Nut-Lock, NI
18:1	121-4523	1	Spring-Extension	54	325-4	2	Screw-HH
18:2	138-3160	1	Retainer-Spring	55	32128-49	2	Nut-HHF
19	121-1128	1	Tube-HYD	56	100-4825	1	Band-Mounting, Air Cleaner
20	121-4340	1	Hose-Suction	56:2	94-3653	1	Bolt
21	323-8	4	Screw-HH	56:3	94-3654	1	Spring
22	322-4	6	Screw-HH	56:4	48-9510	1	Nut
23	103-1390	1	Bushing	57	112-1540	1	Ferrite-Snap On
24	103-1965	1	Valve-Drain, Oil	58	131-0728-01	1	Bracket-Pump, Fuel
25	32128-20	2	Nut-HF	59	131-0575	1	Sleeve-Thermal
26	3290-357	2	Nut-HHF, Whiz	60	2412-87	2	Clamp-Cable
27	340-9	1	Fitting-STR	61	3256-22	3	Washer-Flat
27:1	237-58	1	O-Ring	62	321-3	3	Screw-HH
27:2	237-81	1	O-Ring	63	98-5975	4	Washer-Belleville
28	3246-6	2	Screw-Set, HSH	64	321-5	1	Screw-HH
29	2412-34	2	Clamp-Hose	65	3296-42	1	Nut-Lock, NI

● Obtain parts from www.kohlerplus.com

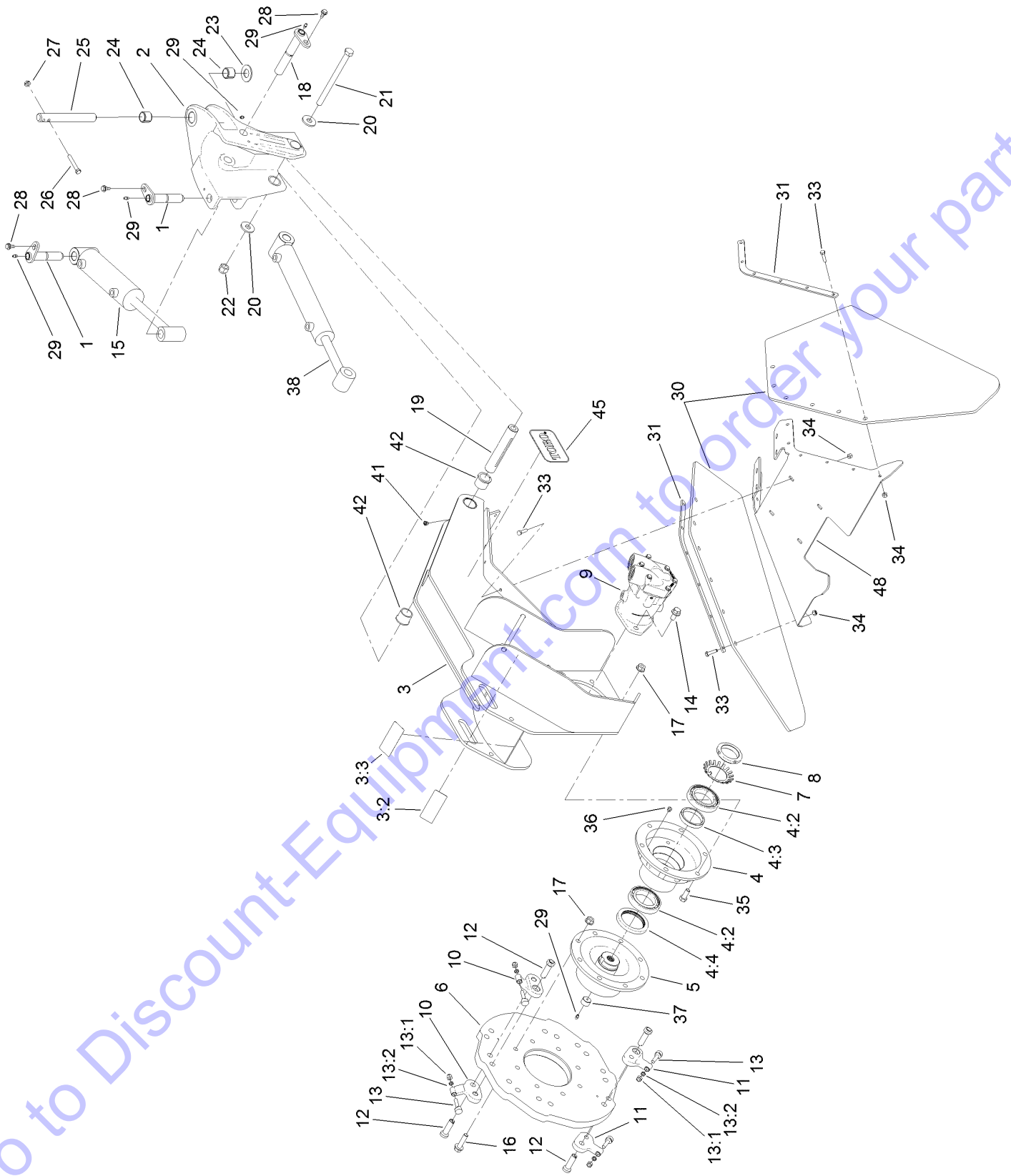
Control Assembly



Control Assembly (continued)

<i>Ref.</i>	<i>Part Number</i>	<i>Qty.</i>	<i>Description</i>	<i>Ref.</i>	<i>Part Number</i>	<i>Qty.</i>	<i>Description</i>
1	27-2320	2	Bearing	28	3220-3	4	Nut-HJ
2	322-3	4	Screw-HH	29	121-4513	1	Rod-Control, LH
3	106-5737	1	Control Support ASM	30	121-4514	1	Rod-Control, RH
3:2	256-252	2	Bearing-Flange	31	322-4	6	Screw-HH
4	3296-29	6	Nut-Lock, NI	32	3296-47	10	Nut-Lock, NI
5	257-8	1	Washer-Thrust	33	256-116	8	Bushing-Flange
6	117-6335	1	Rod-Drive	34	114-8629	4	Bolt-Shoulder
7	108-0634	4	Spacer-Plate, Retaining	35	115-6628	1	Plate-Arm, Return, LH
8	103-1167	2	Joint-Ball End, LH	36	115-6536	1	Plate-Arm, Return
9	121-4506	2	Link-Control, Adjustment	37	115-6549	1	Plate-Base, LH
10	112-2783	1	Lever-Pivot	38	115-6535	1	Plate-Base, RH
11	3256-39	2	Washer-Flat	39	115-6636	1	Pivot-RH
12	95-3703	2	Washer-Spring, Wave	40	115-6637	1	Pivot-LH
13	323-8	1	Screw-HH	41	3253-4	2	Washer-Lock
14	3296-39	3	Nut-Lock, NI	42	251-259	2	Bearing-Ball
15	120-5380-03	1	Handle-Control	44	121-4409	2	Spring-Extension
16	3234-18	1	Screw-HHF	45	117-6429	2	Lock-Trunion
17	32128-43	1	Nut-Flange	46	3256-3	2	Washer-Flat
18	3247-6	2	Screw-Set	47	94-3559	2	Screw-HSH
19	3218-3	2	Nut-Jam	48	3290-456	2	Washer-Belleville
20	115-1204	1	Plate-Neutral	49	3273-14	2	Screw-HSH
21	321-4	1	Screw-HH	50	108-9743	3	Washer-Plain
22	3296-42	1	Nut-Lock, NI	51	98-8407	1	Lever-Return, RH
23	115-4020	1	Decal-Traction	52	98-8408	1	Lever-Return, LH
24	98-1459	1	Decal	53	32151-91	1	Ring-Retaining
25	3274-2	2	Screw-HSH	54	63-2650	2	Screw-Shoulder
26	121-1123	1	Plate-Control, LH	55	108-4724	1	Spring-Extension
27	121-1122	1	Plate-Control, RH				

Grinder Head Assembly



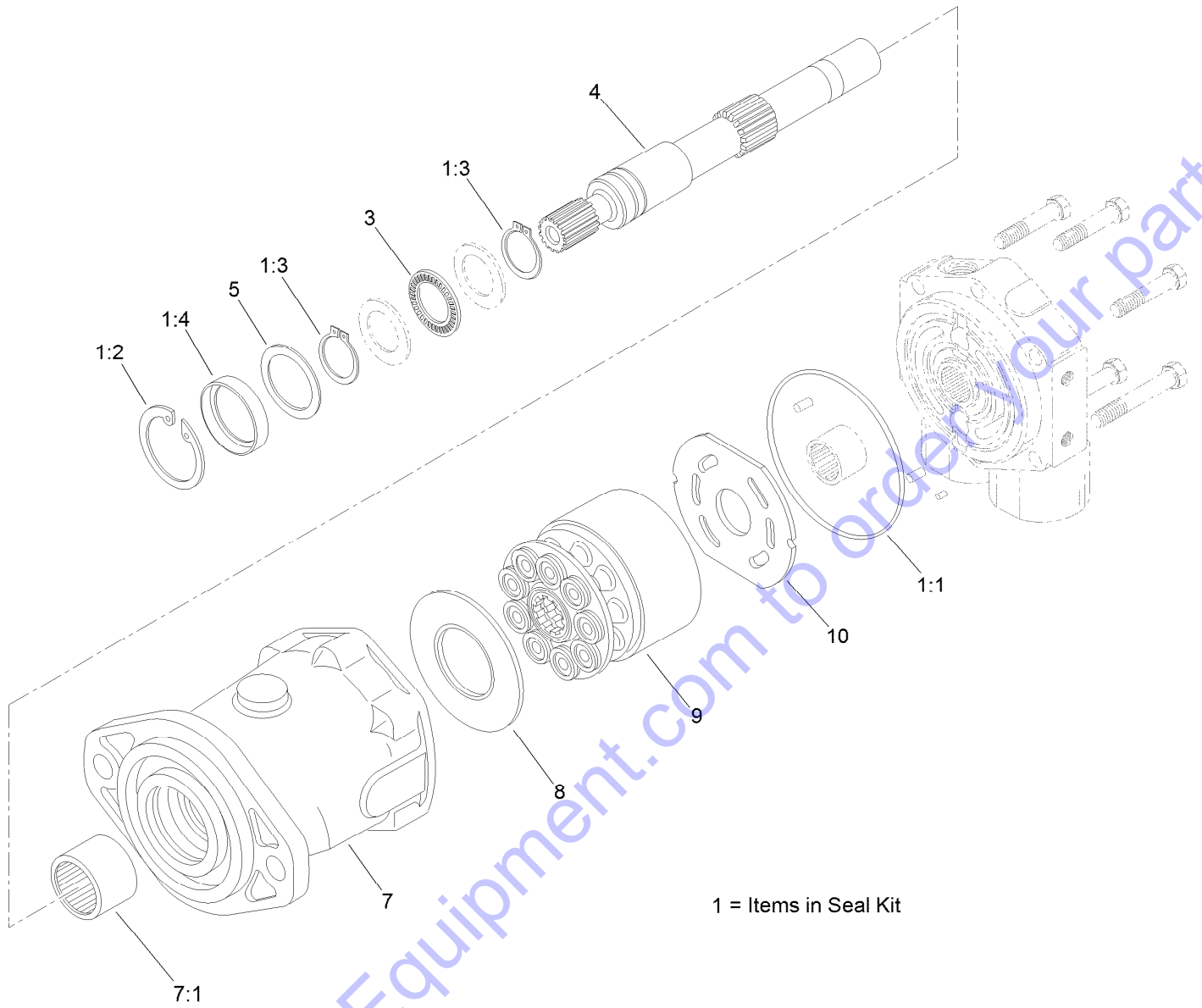
Go to Discount-Equipment.com to order your parts

Grinder Head Assembly (continued)

<i>Ref.</i>	<i>Part Number</i>	<i>Qty.</i>	<i>Description</i>	<i>Ref.</i>	<i>Part Number</i>	<i>Qty.</i>	<i>Description</i>
1	121-1113	2	Pin-Pivot	17	32128-49	14	Nut-HHF
2	121-4565-01	1	Head-Pivot	18	121-0860	2	Pin-Pivot
3	121-4575	1	Grinder Head ASM	19	121-4571	1	Spacer-Pivot
3:2	93-7321	2	Decal-Danger	20	104-9216	2	Washer-Hardened
3:3	107-9366	1	Decal-Warning	21	117-6327	1	Bolt-HH
4	121-4458	1	Wheel Bearing Housing ASM	22	3296-53	1	Nut-Lock, NI
4:2	121-4378	2	Bearing-Ball	23	256-121	1	Washer-Thrust
4:3	121-0872	1	Spacer-Bearing	24	98-4871	2	Bushing-Tension
4:4	121-4379	1	Seal-Grease	25	121-1112	1	Pin-Pivot, Grinder
5	121-4337	1	Shaft-Cutter	26	323-47	1	Screw-HH
6	121-1012-03	1	Plate-Wheel, Cutter	27	3290-357	1	Nut-HHF, Whiz
7	104-5915	1	Washer-Lock, Bearing	28	99-5105	4	Screw-Shoulder
8	104-1973	1	Nut-Lock, Bearing	29	302-5	6	Fitting-Grease
9	121-4325	1	HYD Motor ASM	30	121-4557	2	Shield-Chip
10	115-9384	12	Pocket-Angled	31	140-3603-03	2	Plate-Clamp, Chip
11	115-9388	4	Pocket-Straight	33	322-6	22	Screw-HH
12	121-4318	16	Bolt-HSH	34	3296-29	22	Nut-Lock, NI
13	115-9385	16	Grinder Tooth ASM	35	325-5	6	Screw-HH
13:1	3296-39	1	Nut-Lock, NI	36	302-34	1	Fitting-Lube
13:2	121-4365	1	Spacer-Tooth	37	121-0875	1	Plug-Shaft, Cutter
14	3234-6	2	Screw-HHF	38	121-1955	1	HYD Cylinder ASM
15	137-8829	1	HYD Cylinder ASM	41	302-11	1	Fitting-Lube, 45 DEG
15:99	140-1145	1	Kit-Seal ●	42	104-0015	2	Bushing-Flange
16	3234-27	8	Screw-HHF	45	104-3989	2	Decal
				48	140-3601-03	1	Plate-Mount, Guard

● Not illustrated

Hydraulic Motor Assembly No. 121-4325



Go to Discount-Equipment.com to order your parts

Hydraulic Motor Assembly No. 121-4325 (continued)

<i>Ref.</i>	<i>Part Number</i>	<i>Qty.</i>	<i>Description</i>
1	106-6876	1	Seal Kit
1:1		1	O-Ring ●■
1:2	76-7010	1	Ring-Retaining ●
1:3	76-7000	2	Ring-Retaining ●
1:4		1	Seal-Shaft ●■
3	76-6960	1	Bearing-Thrust
4	106-6874	1	Shaft-Drive

<i>Ref.</i>	<i>Part Number</i>	<i>Qty.</i>	<i>Description</i>
5	60-6240	1	Washer
7	105-2852	1	Housing ASM
7:1		1	Bearing-Needle ■
8	76-6970	1	Insert-Plate, Cam
9	106-6875	1	Rotating Kit
10	94-3003	1	Plate-Valve

Go to Discount-Equipment.com to order your parts

● Not illustrated

■ Not serviced separately

Hydraulic Cylinder Assembly No. 121-1955

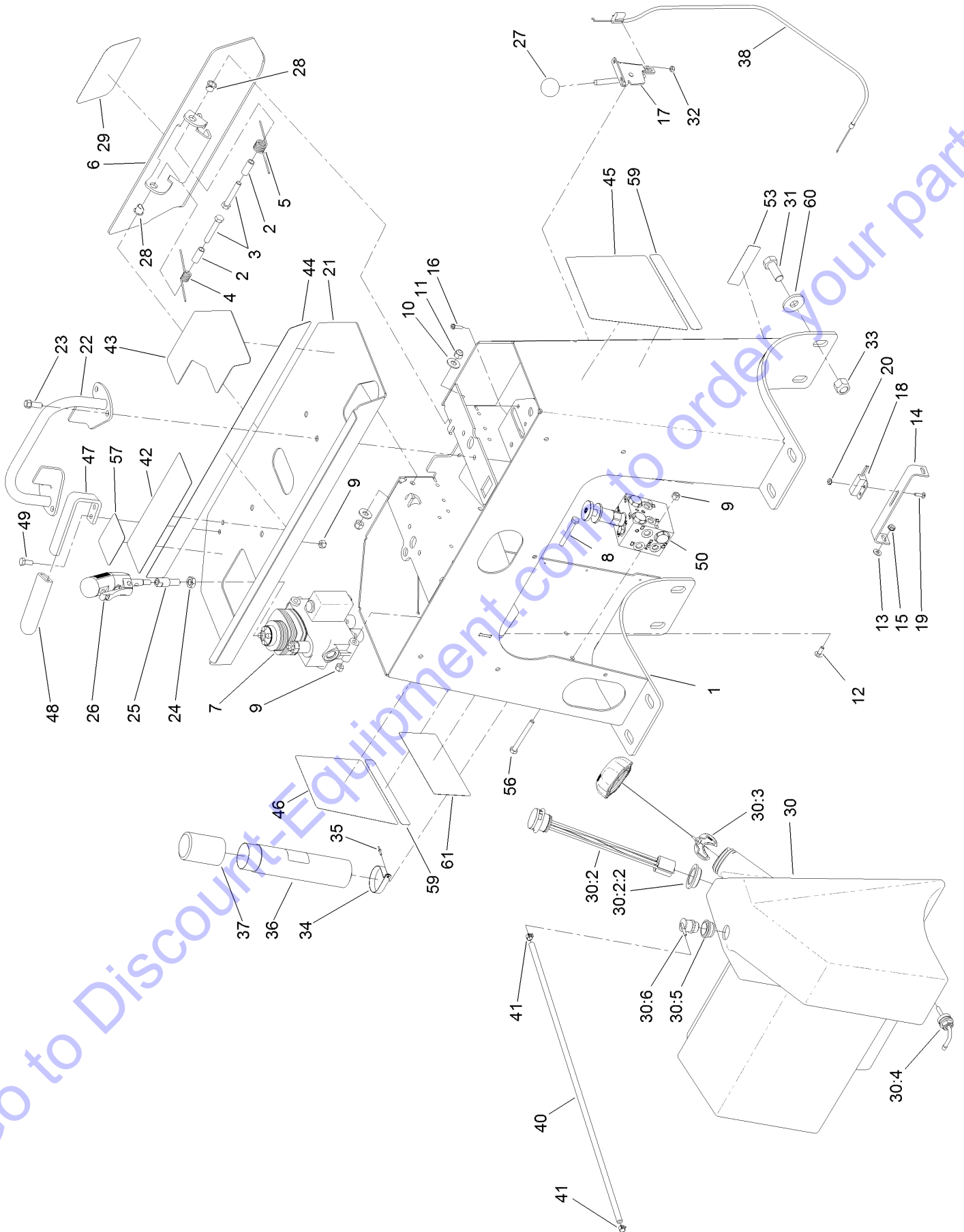


Hydraulic Cylinder Assembly No. 121-1955 (continued)

<i>Ref.</i>	<i>Part Number</i>	<i>Qty.</i>	<i>Description</i>
1	131-0665	1	Seal Kit

Go to Discount-Equipment.com to order your parts

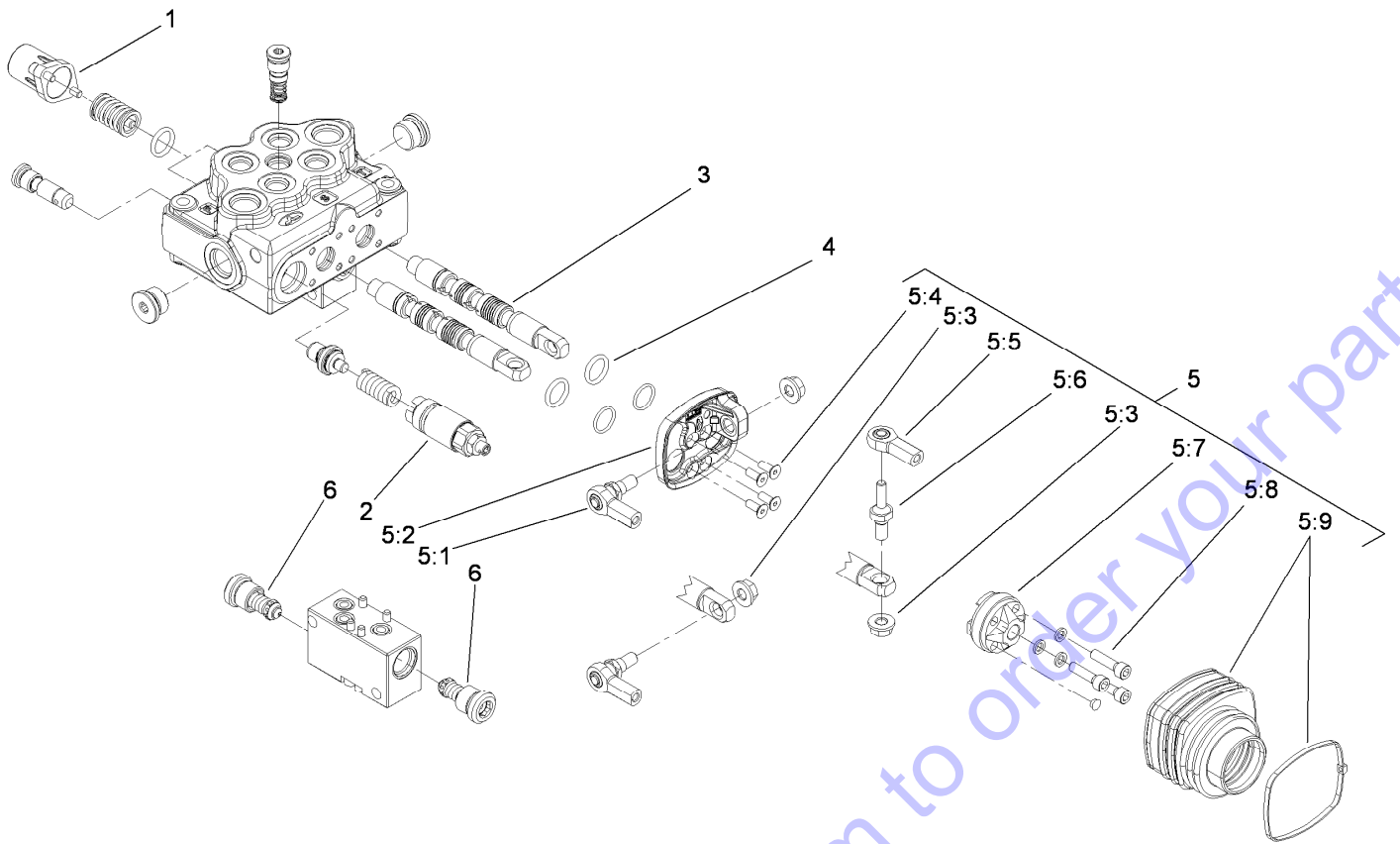
Tower and Fuel Tank Assembly



Go to DiscountEquipment.com to order your parts

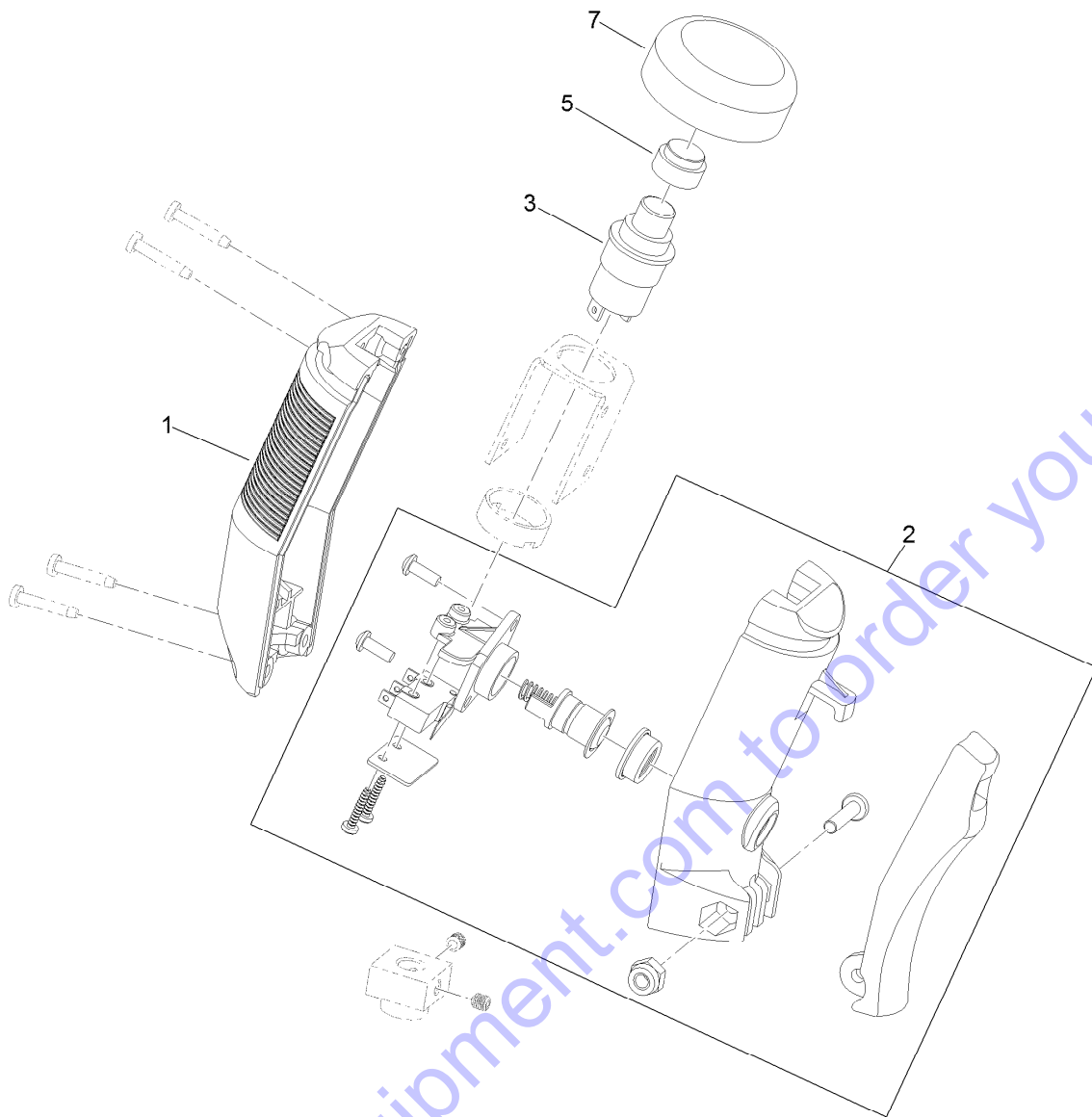
Tower and Fuel Tank Assembly (continued)

<i>Ref.</i>	<i>Part Number</i>	<i>Qty.</i>	<i>Description</i>	<i>Ref.</i>	<i>Part Number</i>	<i>Qty.</i>	<i>Description</i>
1	121-4568-01	1	Tower	30:2	119-0509	1	Gauge ASM
2	114-1337	2	Spacer-Spring	30:2:2	119-0508	1	Seal
3	323-11	2	Screw-HH	30:3	115-7788	1	Cap-Fuel
4	98-8425	1	Spring-Torsion, LH	30:4	103-2605	1	Fitting-Fuel, Bulkhead
5	98-8424	1	Spring-Torsion, RH	30:5	114-0284	1	Grommet
6	121-1110-03	1	Plate-Backup	30:6	119-3547	1	Valve-Vent, Fuel
7	119-4585	1	HYD Valve ASM	31	327-4	8	Screw-HH
8	322-12	3	Screw-HH	32	3296-2	2	Nut-Lock, NI
9	3296-29	7	Nut-Lock, NI	33	3296-53	8	Nut-Lock, NI
10	3256-4	2	Washer-Flat	34	2412-120	2	Clamp-R
11	3296-39	2	Nut-Lock, NI	35	3269-17	2	Rivet-Pop
12	3229-1	2	Screw-CARR	36	104-7050	1	Tube-Manual
13	3256-22	2	Washer-Flat	37	104-7048	1	Cap-Housing
14	100-1263	1	Plate-Switch	38	115-1211	1	Cable-Control
15	32149-2	2	Nut-Keps	40	110-3254	1	Hose-Fuel
16	32105-13	2	Screw-HWH	41	2412-80	2	Clamp-Hose
17	108-9730	1	Lever-Control	42	119-4606	1	Decal-Warning
18	100-1270	1	Switch-Proximity	43	130-7580	1	Decal-Console, LH
19	3229-20	2	Screw-CARR	44	121-4382	1	Decal-Console, RH
20	32149-7	2	Nut-Keps	45	130-7575	1	Decal-Logo,LH
21	131-0649	1	Panel-Control	46	130-7576	1	Decal-Logo,RH
22	106-7715	1	Bar-Reference	47	125-3570-03	1	Bar-Arm Rest
23	95-1726	4	Screw-Taptite	48	1-633268	1	Grip-Lever
24	51-2070	1	Nut	49	322-3	2	Screw-HH
25	119-5103	1	Adapter-Handle	50	121-4466	1	Sweep Manifold ASM
26	119-4587	1	Two Button Handle Grip ASM	53	133-8062	1	Decal-Arrestor, Spark
27	233-42	1	Knob	56	322-14	2	Screw-HH
28	256-257	2	Bushing-Nyliner	57	121-4402	1	Decal-Joystick
29	105-1217	1	Decal	59	130-7577	2	Decal-Intellisweep
30	121-4350	1	Fuel Tank ASM	60	104-9216	8	Washer-Hardened
				61	137-4869	1	Decal-Service



Control Valve Assembly No. 119-4585

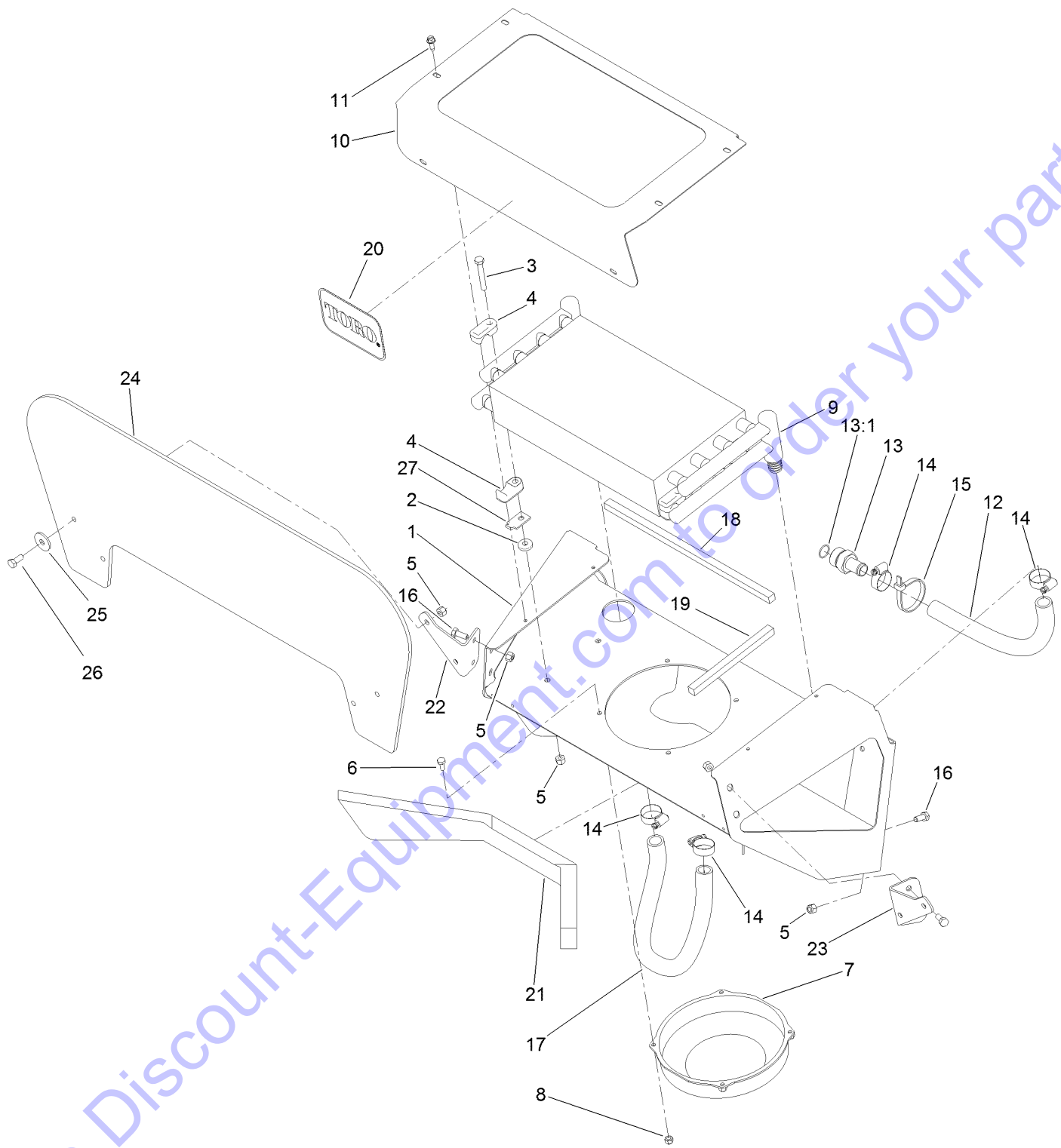
Ref.	Part Number	Qty.	Description
1	100-8801	2	High Force Spring Kit
2	100-8805	1	Valve-Relief
3	114-8625	2	Valve-Spool
4	106-7719	4	Seal-Valve
5	119-4622	1	Joystick Kit
5:1	119-4623	2	Joint-Joystick
5:2	119-4624	1	Base-Joystick
5:3	117-1350	3	Nut-HF, Lock
5:4	119-4625	4	Screw-Joystick
5:5	119-4626	1	Joint-Joystick
5:6	119-4627	1	Pin-Spool
5:7	119-4628	1	Holder-Joystick
5:8	3273-42	3	Screw-HSH
5:9	119-4629	1	Boot-Joystick
6	119-4630	2	Valve Kit



Two-Button Handle Grip Assembly No. 119-4587

Ref.	Part Number	Qty.	Description
1	119-4637	1	Halve-Handle
2	132-8660	1	Swich Kit
3	119-4640	1	Button-Push, Top
5	119-4642	1	Button-Actuator
7	119-4641	1	Boot-Button

Cooler Assembly



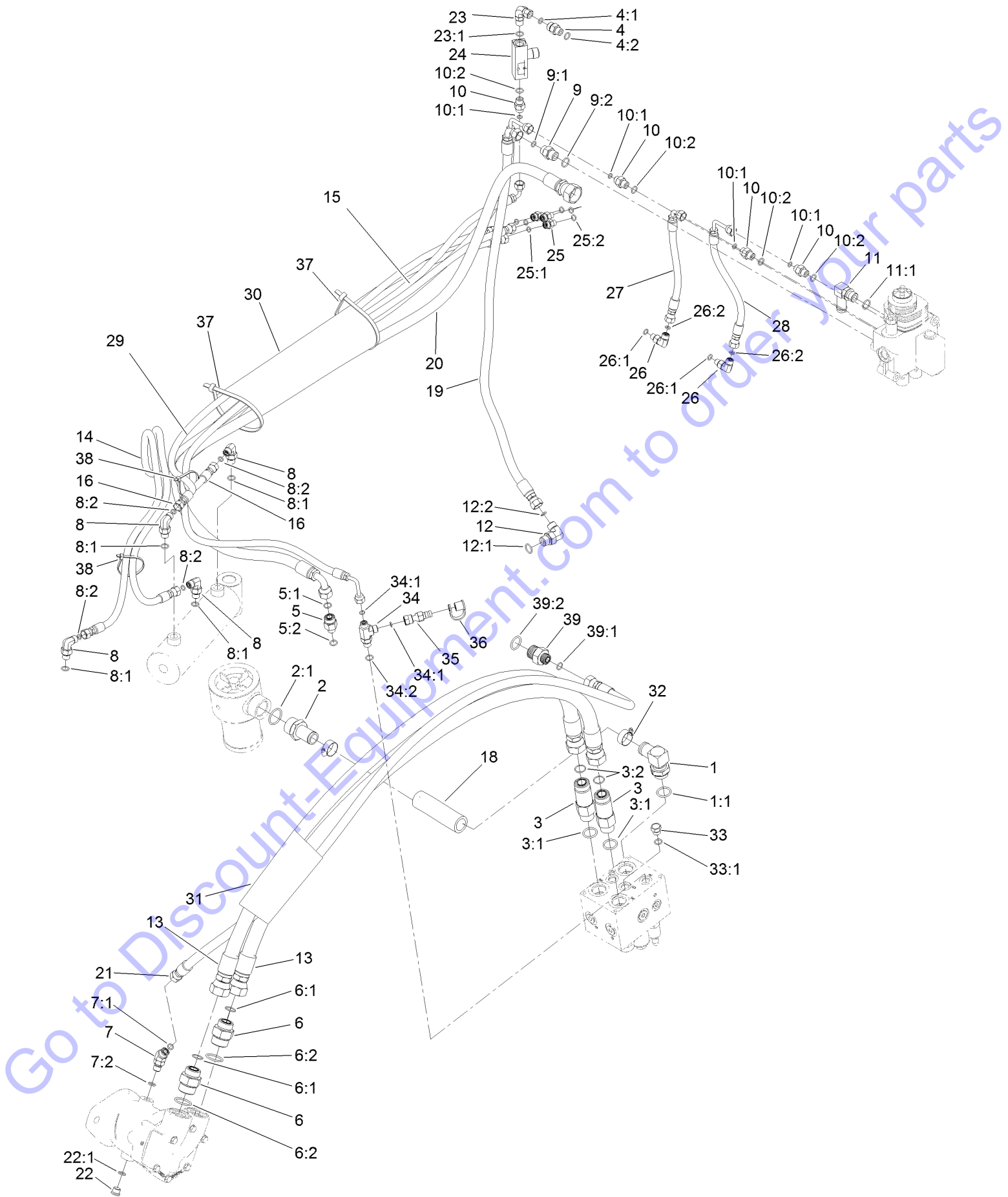
Go to Discount-Equipment.com to order your parts

Cooler Assembly (continued)

<i>Ref.</i>	<i>Part Number</i>	<i>Qty.</i>	<i>Description</i>	<i>Ref.</i>	<i>Part Number</i>	<i>Qty.</i>	<i>Description</i>
1	131-0612-01	1	Mount-Cooler	14	2412-129	4	Clamp-Hose
2	105-5723	4	Spacer-Tube	15	3334-945	1	Tie-Cable
3	322-11	4	Screw-HH	16	322-3	8	Screw-HH
4	131-0733	8	Clamp	17	125-0266	1	Hose-Return
5	3296-29	16	Nut-Lock, NI	18	125-0319	2	Foam-Seal
6	321-3	4	Screw-HH	19	125-0324	2	Foam-Seal
7	120-7390	1	Fan	20	104-3989	1	Decal
8	104-7201	4	Nut-HF	21	131-0731	1	Seal-Foam
9	117-6320	1	Cooler-Oil	22	125-0350-01	1	Bracket-Shield, RH
10	125-0308-01	1	Cover-Cooler	23	125-0351-01	1	Bracket-Shield, LH
11	32104-95	6	Screw-HWH	24	125-0340	1	Shield-Chip
12	121-4537	1	Hose-HYD	25	63-8410	4	Washer
13	107-8652	1	Fitting-Straight	26	322-4	4	Screw-HH
13:1	237-58	1	O-Ring	27	131-0642	4	Plate-Support, Clamp

Go to Discount-Equipment.com to order your parts

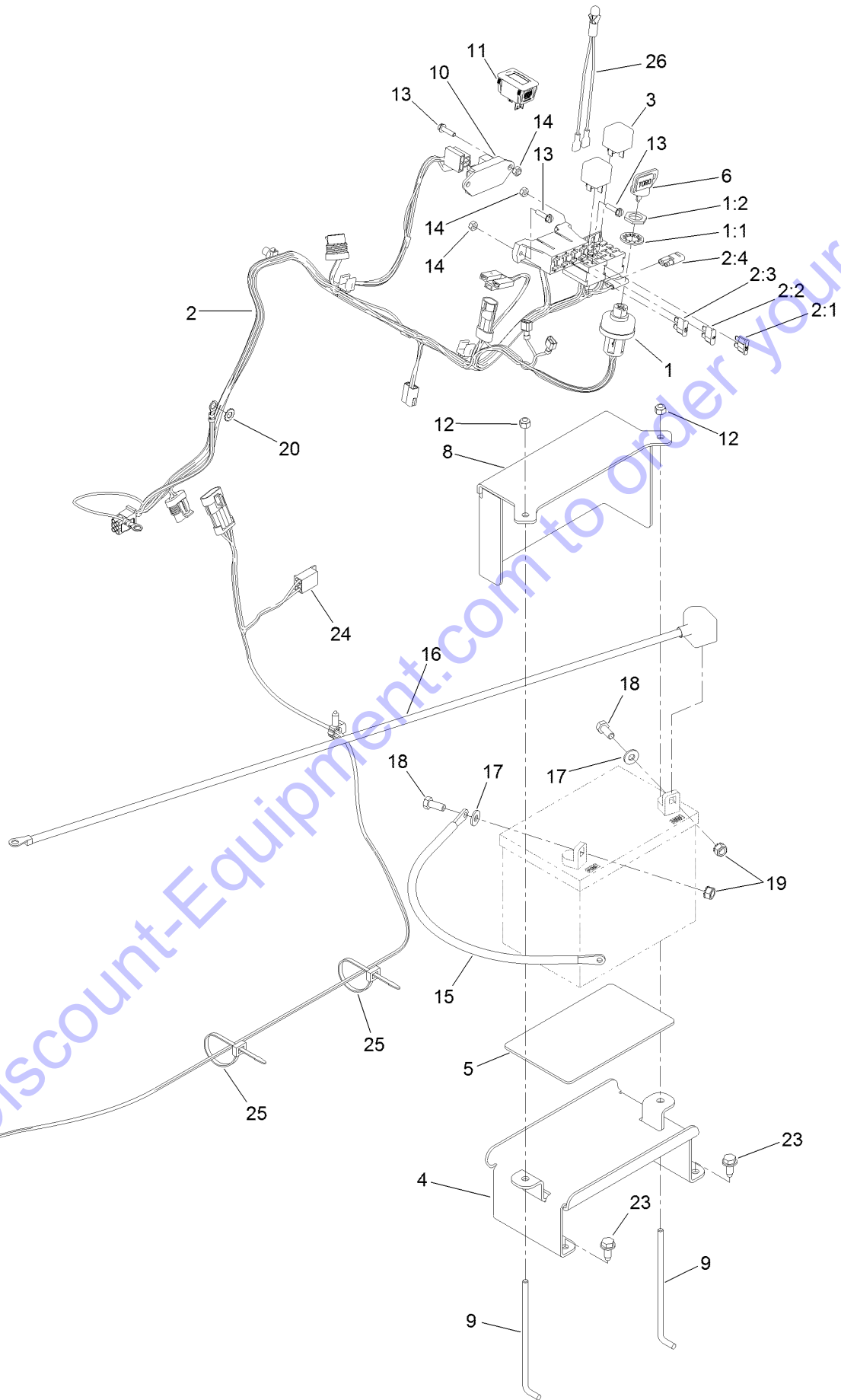
Hydraulic Hose Routing Assembly



Hydraulic Hose Routing Assembly (continued)

<i>Ref.</i>	<i>Part Number</i>	<i>Qty.</i>	<i>Description</i>	<i>Ref.</i>	<i>Part Number</i>	<i>Qty.</i>	<i>Description</i>
1	100-4202	1	Fitting-90	15	121-4346	1	Hose-HYD
1:1	237-81	1	O-Ring	16	121-4347	2	Hose-HYD
2	354-78	1	Fitting-STR	18	121-4341	1	Hose-Return
2:1	237-146	1	O-Ring	19	121-1199	1	Hose-HYD
3	92-6058	2	Fitting-STR	20	121-4344	1	Hose-HYD
3:1	237-81	1	O-Ring	21	130-7574	1	Hose-HYD
3:2	237-58	1	O-Ring	22	353-989	1	Plug-Hex, Hollow
4	340-2	1	Fitting-Straight	22:1	237-42	1	O-Ring
4:1	237-22	1	O-Ring	23	340-110	1	Fitting-Swivel, 90 DEG
4:2	237-42	1	O-Ring	23:1	237-42	1	O-Ring
5	340-5	1	Fitting-Straight	24	98-9742	1	Valve-Control, Flow
5:1	237-42	1	O-Ring	25	340-92	3	Fitting-Straight
5:2	237-30	1	O-Ring	25:1	237-78	1	O-Ring
6	340-91	2	Fitting-STR	25:2	237-21	1	O-Ring
6:1	237-58	1	O-Ring	26	340-132	2	Fitting-Elbow, 90 DEG
6:2	237-146	1	O-Ring	26:1	237-78	1	O-Ring
7	340-87	1	Fitting-Elbow, 45 DEG	26:2	237-21	1	O-Ring
7:1	237-22	1	O-Ring	27	121-4455	1	Hose-HYD
7:2	237-42	1	O-Ring	28	121-4456	1	Hose-HYD
8	340-82	4	Fitting-Elbow, 90 DEG	29	119-4601	1	Hose-HYD
8:1	237-42	1	O-Ring	30	121-4454	1	Sleeve-Protective
8:2	237-21	1	O-Ring	31	99-5648	1	Sleeve-Protective
9	340-3	1	Fitting-Straight	32	2412-34	2	Clamp-Hose
9:1	237-22	1	O-Ring	33	353-508	1	Plug-HH
9:2	237-79	1	O-Ring	33:1	237-42	1	O-Ring
10	340-1	4	Fitting-Straight	34	108-5688	1	Fitting-Tee
10:1	237-21	1	O-Ring	34:1	237-21	2	O-Ring
10:2	237-42	1	O-Ring	34:2	237-42	1	O-Ring
11	353-954	1	Fitting-Elbow, 90	35	115-8886	1	Nipple-Test
11:1	237-79	1	O-Ring	36	354-79	1	Cap-Dust
12	340-18	1	Fitting-HYD, 90 DEG	37	3334-945	2	Tie-Cable
12:1	237-79	1	O-Ring	38	3290-379	2	Tie-Cable
12:2	237-22	1	O-Ring	39	100-4240	1	Fitting-STR
13	121-4342	2	Hose-HYD	39:1	237-30	1	O-Ring
14	121-4345	1	Hose-HYD	39:2	237-81	1	O-Ring

Electrical Assembly



Go to Discount-Equipment.com to order your parts

Electrical Assembly (continued)

<i>Ref.</i>	<i>Part Number</i>	<i>Qty.</i>	<i>Description</i>	<i>Ref.</i>	<i>Part Number</i>	<i>Qty.</i>	<i>Description</i>
1	111216	1	Ignition Switch ASM	11	120-2244	1	Hourmeter
1:1	9201604	1	Washer-Lock	12	3296-42	2	Nut-Lock, NI
1:2	101884	1	Nut	13	32105-13	5	Screw-HWH
2	130-7572	1	Harness-Wire	14	3296-2	5	Nut-Lock, NI
2:1	109103	1	Fuse-Blade, 30 Amp	15	131-0738	1	Cable-Battery, Positive
2:2	110928	1	Fuse-Blade, 5 Amp	16	121-4437	1	Cable-Battery, Negative
2:3	109101	1	Fuse-Blade, 20 Amp	17	3256-2	2	Washer-Flat
2:4	116-0053	1	Cap-Plug	18	322-3	2	Screw-HH
3	98-7249	2	Relay	19	32149-1	2	Nut-Keps
4	131-0727-01	1	Tray-Battery	20	3255-8	1	Washer-Lock
5	62-4300	1	Pad-Skid, Anti	23	32144-70	4	Screw-HWHTF
6	63-8360	1	Key-Ignition	24	121-4319	1	Harness-Wire
8	131-0739-03	1	Cover-Battery	25	3290-378	2	Tie-Cable
9	104-8567	2	Holdown-Battery	26	1-643267	1	Indicator-LED, Red
10	100-6170	1	Module-Delay				

Go to Discount-Equipment.com to order your parts

PARTS FINDER

**Search Website
by Part Number**



**Search Manual
Library For Parts
Manual & Lookup Part
Numbers – Purchase
or Request Quote**

Search Manuals

Enter your information to help us find the right parts manual for your machine.

* Brand:

* Model:

* Serial:

* Part Number:

SEARCH

**Can't Find Part or
Manual? Request Help
by Manufacturer,
Model & Description**

Parts Order Form

Please fill in the following information to help us find the right part for your machine.

Manufacturer:	<input type="text"/>
Model:	<input type="text"/>
Description:	<input type="text"/>
Part Number:	<input type="text"/>
Quantity:	<input type="text"/>
Notes:	<input type="text"/>

Submit

Discount-Equipment.com is your online resource for quality parts & equipment.

Florida: **561-964-4949** Outside Florida TOLL FREE: **877-690-3101**

Need parts?

Click on this link: <http://www.discount-equipment.com/category/5443-parts/> and choose one of the options to help get the right parts and equipment you are looking for. Please have the machine model and serial number available in order to help us get you the correct parts. If you don't find the part on the website or on one of the online manuals, please fill out the request form and one of our experienced staff members will get back to you with a quote for the right part that your machine needs.

We sell worldwide for the brands: Genie, Terex, JLG, MultiQuip, Mikasa, Essick, Whiteman, Mayco, Toro Stone, Diamond Products, Generac Magnum, Airman, Haulotte, Barreto, Power Blanket, Nifty Lift, Atlas Copco, Chicago Pneumatic, Allmand, Miller Curber, Skyjack, Lull, Skytrak, Tsurumi, Husquvarna Target, Stow, Wacker, Sakai, Mi-T-M, Sullair, Basic, Dynapac, MBW, Weber, Bartell, Bennar Newman, Haulotte, Ditch Runner, Menegotti, Morrison, Contec, Buddy, Crown, Edco, Wyco, Bomag, Laymor, EZ Trench, Bil-Jax, F.S. Curtis, Gehl Pavers, Heli, Honda, ICS/PowerGrit, IHI, Partner, Imer, Clipper, MMD, Koshin, Rice, CH&E, General Equipment, Amida, Coleman, NAC, Gradall, Square Shooter, Kent, Stanley, Tamco, Toku, Hatz, Kohler, Robin, Wisconsin, Northrock, Oztec, Toker TK, Rol-Air, APT, Wylie, Ingersoll Rand / Doosan, Innovatech, Con X, Ammann, Mecalac, Makinex, Smith Surface Prep, Small Line, Wanco, Yanmar



Count on it.

Go to Discount-Equipment.com to order your parts



www.discount-equipment.com