

**Operator's manual Manual de instrucciones
Instruções para o uso Οδηγίες χρήσεως**

DM340



GB ES PT GR

Please read the operator's manual carefully and make sure you understand the instructions before using the machine

Lea detenidamente el manual de instrucciones y asegúrese de entender su contenido antes de utilizar la máquina.

Leia as instruções para o uso com toda a atenção e compreenda o seu conteúdo antes de fazer uso da máquina.

Διαβάστε προσεκτικά τις Οδηγίες χρήσεως και κατανοήστε το περιεχόμενο πριν χρησιμοποιήσετε το μηχάνημα.

TO PURCHASE THIS PRODUCT PLEASE CONTACT US



**Equipment Financing and
Extended Warranties Available**



**Discount-Equipment.com is your online resource for
commercial and industrial quality parts and equipment sales.**

561-964-4949

visit us on line @ www.discount-equipment.com

Select an option below to find your Equipment

Search by Manufacturer

Search by Product Type

Request a Quote

We sell worldwide for the brands: Genie, Terex, JLG, MultiQuip, Mikasa, Essick, Whiteman, Mayco, Toro Stone, Diamond Products, Generac Magnum, Airman, Haulotte, Barreto, Power Blanket, Nifty Lift, Atlas Copco, Chicago Pneumatic, Allmand, Miller Curber, Skyjack, Lull, Skytrak, Tsurumi, Husquvarna Target, Stow, Wacker, Sakai, Mi-T-M, Sullair, Basic, Dynapac, MBW, Weber, Bartell, Bennar Newman, Haulotte, Ditch Runner, Menegotti, Morrison, Contec, Buddy, Crown, Edco, Wyco, Bomag, Laymor, EZ Trench, Bil-Jax, F.S. Curtis, Gehl Pavers, Heli, Honda, ICS/PowerGrit, IHI, Partner, Imer, Clipper, MMD, Koshin, Rice, CH&E, General Equipment, Amida, Coleman, NAC, Gradall, Square Shooter, Kent, Stanley, Tamco, Toku, Hatz, Kohler, Robin, Wisconsin, Northrock, Oztec, Toker TK, Rol-Air, APT, Wylie, Ingersoll Rand / Doosan, Innovatech, Con X, Ammann, Mecalac, Makinex, Smith Surface Prep, Small Line, Wanco, Yanmar

KEY TO SYMBOLS

Symbols on the machine

WARNING! The machine can be a dangerous tool if used incorrectly or carelessly, which can cause serious or fatal injury to the operator or others.

Please read the operator's manual carefully and make sure you understand the instructions before using the machine.

Wear personal protective equipment. See instructions under the "Personal protective equipment" heading.

This product is in accordance with applicable EC directives.

Environmental marking. Symbols on the product or its packaging indicate that this product cannot be handled as domestic waste. It must instead be submitted to an appropriate recycling station for the recovery of electrical and electronic equipment.

By ensuring that this product is taken care of correctly, you can help to counteract the potential negative impact on the environment and people that can otherwise result through the incorrect waste management of this product.

For more detailed information about recycling this product, contact your municipality, your domestic waste service or the shop from where you purchased the product.

Ensure that water cannot leak into the machine when drilling in the ceiling. Use an appropriate water collector.

Other symbols/decals on the machine refer to special certification requirements for certain markets.



Explanation of warning levels

The warnings are graded in three levels.

WARNING!



WARNING! Used if there is a risk of serious injury or death for the operator or damage to the surroundings if the instructions in the manual are not followed.

CAUTION!



CAUTION! Used if there is a risk of injury to the operator or damage to the surroundings if the instructions in the manual are not followed.

NOTICE!



NOTICE! Used if there is a risk of damage to materials or the machine if the instructions in the manual are not followed.

CONTENTS

Contents

KEY TO SYMBOLS

Symbols on the machine	2
Explanation of warning levels	2

CONTENTS

Contents	3
----------------	---

PRESENTATION

DM 340	4
--------------	---

WHAT IS WHAT?

What is what on the drilling machine?	5
---	---

SAFETY INSTRUCTIONS

Steps before using a new drilling machine	6
Personal protective equipment	6
General safety precautions	7
General working instructions	8
Machine's safety equipment	9

STARTING AND STOPPING

Before starting	10
Starting	10
Stopping	10

MAINTENANCE

General	11
Changing the drill bit	11
Cleaning	11
Electrical Feed	11
Changing the gearbox oil	11
Replacing the carbon brushes	12
Replacing the seal retainer	12
Daily maintenance	12
Repairs	12

TECHNICAL DATA

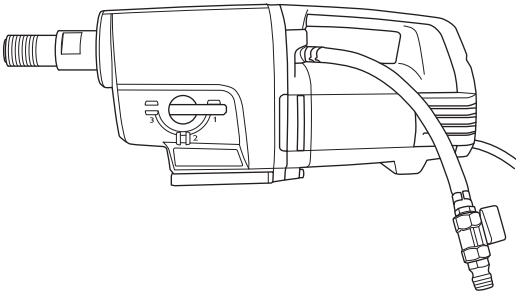
Technical data	13
EC Declaration of Conformity	14

WIRING DIAGRAM

Wiring diagram	15
----------------------	----

PRESENTATION

DM 340



It is our wish that you will be satisfied with your product and that it will be your companion for a long time. Think of this operator's manual as a valuable document. By following its content (usage, service, maintenance, etc), the life span and the second-hand value of the machine can be extended. If you sell this machine, make sure that the operator's manual is passed on to the buyer.

A purchase of one of our products gives you access to professional help with repairs and services. If the retailer who sells your machine is not one of our authorised dealers, ask him for the address of your nearest service workshop.

Husqvarna Construction Products has a policy of continuous product development. Husqvarna reserves the right to modify the design and appearance of products without prior notice and without further obligation introduce design modifications.

- DM 340 is an electric stand drill, intended for drilling holes in concrete, bricks and various stone materials.
- The drilling machine has a modular design and is easy to assemble.
- The machine is equipped with a water connection which can be rotated 180 degrees to facilitate work.
- DM 340 has three speed ranges for drill bit sizes up to 400 mm.
- The machine has a water cooled gearbox with a pipe that runs through the spindle.
- The machine is equipped with LEDs which indicate the power output. This way you can always get maximum power output without damaging the machine.

The drilling machine is equipped with Softstart™, Smartstart™, Elgard™ and speed control.

Softstart™

Softstart™ is an electronic current limiter which provides a softer start. Maximum speed is reached about three seconds after the machine is turned on.

Smartstart™

If the Smartstart™ button is pressed the speed is reduced. In Smartstart™ mode the machine has less power until the button is pressed in again. These functions are of great use for creating a pilot hole for drilling.

Elgard™

Elgard™ is an electronic overload protection. It considers factors such as rated input voltage and ambient temperature. This way you can always get maximum power output without damaging the machine.

If the motor is overloaded, the overload protection pulses the motor. Reduce the load and the motor returns to its normal speed. The overload protection disconnects the power, if the machine is subjected to heavy loads or if the drill bit jams. Reset the machine by switching it off and then on again. If the drill bit jams, the mechanical slip clutch protects the gearbox before the overload protection disconnects the power.

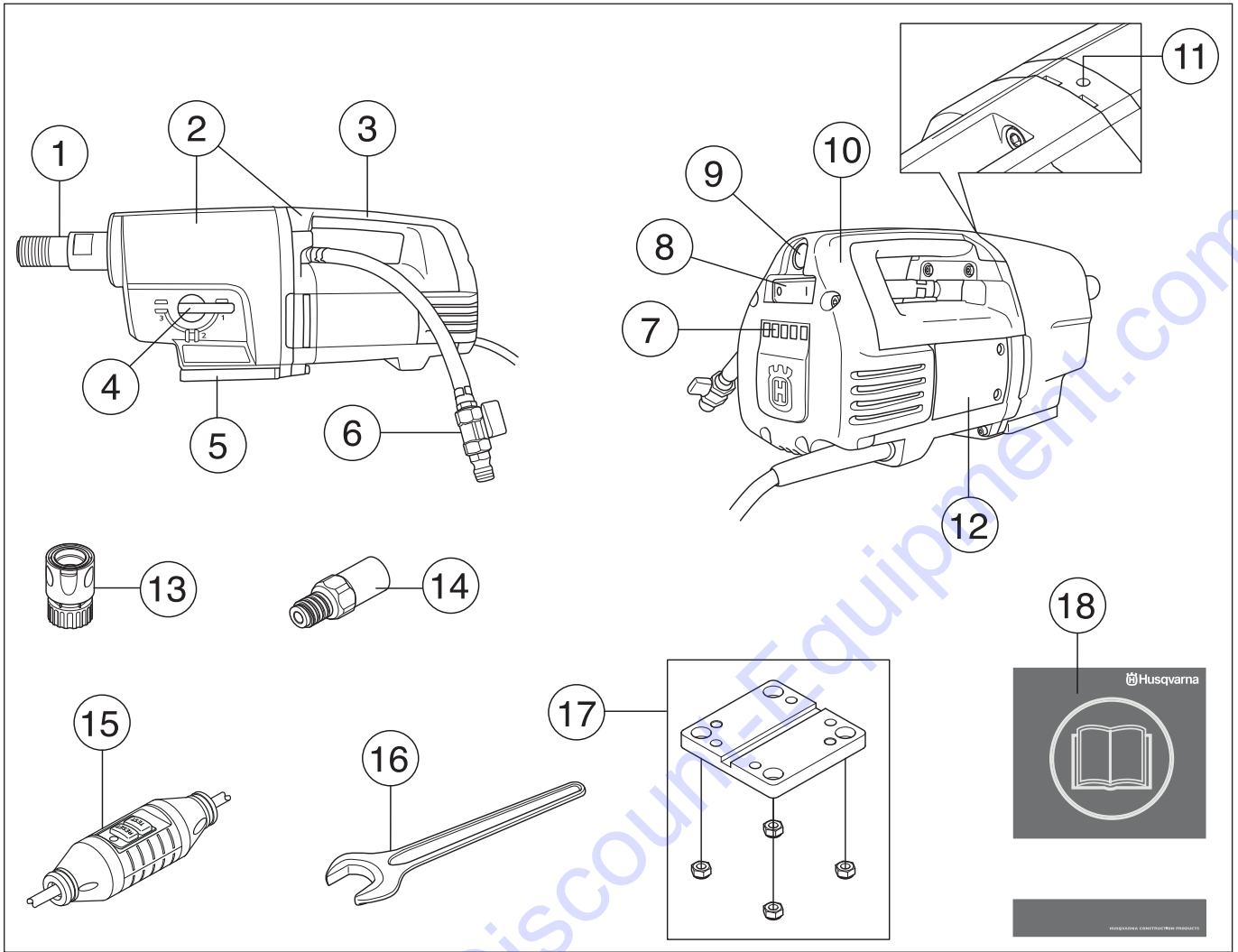
Speed control

The speed control function provides the machine with a limited idling speed. This provides a more effective cooling of the machine at idle speed.

Ergonomics

The carrying handle makes it easy to carry/transport the machine and facilitates mounting it on the stand.

WHAT IS WHAT?



What is what on the drilling machine?

- | | |
|------------------------------------|----------------------------------|
| 1 Drill spindle | 10 Inspection cover |
| 2 Gearbox and motor module | 11 Leakage hole |
| 3 Carrying handle | 12 Inspection hatch |
| 4 Gear knob | 13 Junction coupling (accessory) |
| 5 Quick mount, for Husqvarna stand | 14 Adapter (accessory) |
| 6 Water connector | 15 Residual-current device |
| 7 LEDs for indicating power output | 16 Open-ended spanner, 32 mm |
| 8 Power switch | 17 Engine mount, stand |
| 9 Smart Start® | 18 Operator's manual |

SAFETY INSTRUCTIONS

Steps before using a new drilling machine

- Do not use the drilling machine without first reading and understanding the contents of this Operator's Manual.
- DM 340 is an electric stand drill, intended for drilling holes in concrete, bricks and various stone materials.
- The machine is intended for use in industrial applications by experienced operators. Use in any other way is considered as contrary to the intended use.

Always use common sense

It is not possible to cover every conceivable situation you can face when using a drilling machine. Always exercise care and use your common sense. Avoid all situations which you consider to be beyond your capability. If you still feel uncertain about operating procedures after reading these instructions, you should consult an expert before continuing. Do not hesitate to contact Discount-equipment or us if you have any more questions about the use of the drilling machine. We will willingly be of service and provide you with advice as well as help you to use your drilling machine both efficiently and safely.

Let your Husqvarna dealer check the drilling machine regularly and make essential adjustments and repairs.

Husqvarna Construction Products has a policy of continuous product development. Husqvarna reserves the right to modify the design and appearance of products without prior notice and without further obligation introduce design modifications.

All information and all data in the Operator's Manual were applicable at the time the Operator's Manual was sent to



WARNING! Under no circumstances should you modify the original design of the machine without approval from the manufacturer. Always use original spare parts. Unauthorized modifications and/or accessories may lead to serious injury or death to the user or others.



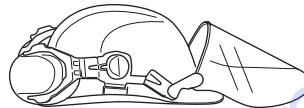
WARNING! The use of products such as cutters, grinders, drills, that sand or form material can generate dust and vapours which may contain hazardous chemicals. Check the nature of the material you intend to process and use an appropriate breathing mask.

Personal protective equipment

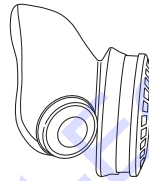


WARNING! You must use approved personal protective equipment whenever you use the machine. Personal protective equipment cannot eliminate the risk of injury but it will reduce the degree of injury if an accident does happen. Ask your dealer for help in choosing the right equipment.

- Protective helmet
- Hearing protection
- Protective goggles or a visor



- Breathing mask



- Heavy-duty, firm grip gloves.



- Tight-fitting, heavy-duty and comfortable clothing that permits full freedom of movement.



- Boots with steel toe-caps and non-slip sole.



- Always have a first aid kit nearby.



SAFETY INSTRUCTIONS

General safety precautions



WARNING! Read all safety warnings and all instructions. Failure to follow the warnings and instructions may result in electric shock, fire and/or serious injury.

Work area safety

- **Keep work area clean and well lit.** Cluttered or dark areas invite accidents.
- **Do not operate power tools in explosive atmospheres, such as in the presence of flammable liquids, gases or dust.** Power tools create sparks which may ignite the dust or fumes.
- People and animals can distract you causing you to lose control of the machine. For this reason, always remain concentrated and focused on the task.
- Do not use the machine in bad weather, such as dense fog, heavy rain, strong wind, intense cold, etc. Working in bad weather is tiring and can lead to dangerous conditions, e.g. slippery surfaces.
- Never start to work with the machine before the working area is clear and you have a firm foothold. Look out for any obstacles with unexpected movement. Ensure that no material can become loose and fall, causing injury when operating the machine.
- Always check the rear side of the surface where the drill bit will emerge when drilling right through. Secure and cordon off the area and make sure that no one can be injured or material damaged.

Electrical safety



WARNING! There is always a risk of shocks from electrically powered machines. Avoid unfavourable weather conditions and body contact with lightning conductors and metal objects. Always follow the instructions in the Operator's manual to avoid damage.



WARNING! Do not wash the machine with water, as water can enter the electrical system or the engine and cause damage to the machine or short circuit.

- The machine should be connected to an earthed outlet socket.
- Check that the mains voltage corresponds with that stated on the rating plate on the machine.
- Check that the cord and extension cord are intact and in good condition. Use an extension cord intended for outdoor use.
- Never use the machine if any cable or plug is damaged, but hand it in to an authorized service workshop for repair.
- To avoid overheating do not use the extension cord while it is rolled up.

- Never carry the machine by means of the cord and never pull out the plug by pulling the cord.
- Keep all cables and extension leads away from water, oil and sharp edges. Make sure the cable is not jammed in doors, fences or the like. Otherwise it can cause the charger to become live.
- The water system cools the drill bit with clean water. The power tool should not be exposed to more moisture than what is provided by the water system. Make sure that no drill slurry enters the machine.
- Do not expose the power tool to rain. Water entering a power tool will increase the risk of electric shock.
- Ensure the cord is behind you when you start to use the machine so that the cord will not be damaged.



WARNING! The machine (Great Britain 120V) is not equipped with a ground fault circuit interrupter. The machine must always be used with an isolating transformer for protection in case an electrical fault should occur.

Personal safety

- Wear personal protective equipment. See instructions under the "Personal protective equipment" heading.
- Never use the machine if you are tired, if you have drunk alcohol, or if you are taking medication that could affect your vision, your judgement or your co-ordination.
- Prevent unintentional starting. Ensure the switch is in the OFF-position before connecting to power source. Carrying power tools with your finger on the switch or energising power tools that have the switch on invites accidents.
- **Remove any adjusting key or wrench before turning the power tool on.** A wrench or a key left attached to a rotating part of the power tool may result in personal injury.
- Never allow anyone else to use the machine without first ensuring that they have read and understood the contents of the operator's manual.
- Be careful as clothing, long hair, and jewellery can get caught in moving parts.
- Remain at a distance from the drill bit when the motor is running.
- Make sure that no pipes or electrical cables are routed in the area to be drilled.
- Never leave the machine unsupervised with the motor running.
- Always unplug the machine during longer work breaks.
- Never work alone, always ensure there is another person close at hand. Apart from being able to receive help to assemble the machine, you can also get help if an accident should occur.

SAFETY INSTRUCTIONS

Use and care

- Never use a machine that is faulty. Carry out the safety checks, maintenance and service instructions described in this manual. Some maintenance and service measures must be carried out by trained and qualified specialists. See instructions under the Maintenance heading.
- Inspection and/or maintenance should be carried out with the motor switched off and the plug disconnected.
- **Do not use the power tool if the switch does not turn it on and off.** Any power tool that cannot be controlled with the switch is dangerous and must be repaired.
- Never use a machine that has been modified in any way from its original specification.
- Do not overload the machine. Overloading can damage the machine.
- Keep tools sharp and clean in order to enable safer work.
- Keep all parts in good working order and ensure that all fixtures are properly tightened.

Transport and storage

- Do not store or transport the drilling machine with the drill bit fitted in order to protect your drilling machine and drill bits from damage.
- Store the drilling machine in a lockable area so that it is out of reach of children and unauthorised persons.
- Store the drilling machine and stand in dry and frost free conditions.

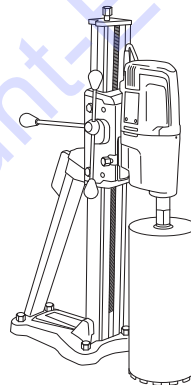
General working instructions



WARNING! This section takes up the basic safety precautions for working with the drilling machine. This information is never a substitute for professional skills and experience. If you encounter a situation where you are uncertain how to proceed you should ask an expert. Contact Discount-equipment. Do not attempt any task that you feel unsure of!

- The machine has a very high torque. This demands good concentration during work, as serious personal injuries can occur if the drill bit suddenly jams.
- Keep your hands at a safe distance from the drill spindle and drill bit when the machine is running.
- Keep an eye open for oil or water leakage. If water or oil trickles out from the leakage hole on the top of the pinion neck, the seals must be replaced.

Stand drilling



- The machine is intended for stand mounted drilling.
- The following Husqvarna drill stands are recommended for use with the drill motor:
 - DS 50 AT/ATS/Gyro/COMBO/BASIC
 - DS 70 AT/ATS
 - DS 450 ATS
- Make sure that the stand is secured correctly.
- Make sure that the drilling machine is secured correctly in the stand.

Drilling outdoors

- Always use extension cables that are approved for outdoor use.

Drilling in ceilings and the like

- Use a water collector to avoid water penetrating into the machine.

SAFETY INSTRUCTIONS

Machine's safety equipment

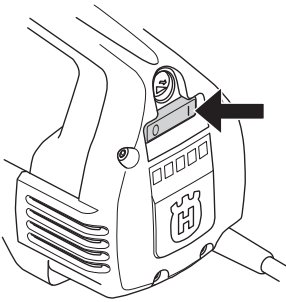
This section describes the machine's safety equipment, its purpose, and how checks and maintenance should be carried out to ensure that it operates correctly. See the "What is what?" section to locate where this equipment is positioned on your machine.



WARNING! Never use a machine that has faulty safety equipment!

IMPORTANT! All servicing and repair work on the machine requires special training. This is especially true of the machine's safety equipment. If your machine fails any of the checks described below you must contact Discount-equipment. When you buy any of our products we guarantee the availability of professional repairs and service. If the retailer who sells your machine is not a servicing dealer, ask him for the address of your nearest service agent.

Power switch



The power switch should be used to start and stop the machine.

Checking the power switch

- Start the machine by switching on the on-off switch.
- Switch the on-off switch off to stop the machine.
- A defective power switch should be replaced by an authorized service workshop.

Residual-current device

Ground fault circuit interrupters are for protection in case an electrical fault should occur.

The LED indicates that the ground fault circuit interrupter is on and that the machine can be switched on. If the LED is not on, push the RESET button (green).



Check the residual-current device

- Connect the machine to the socket. Push the RESET button (green) and the red LED lights up.



- Start the machine by pressing the power switch.
- Push the TEST button (blue).



- The ground fault circuit interrupter should trip and the machine switch off instantly. If not, contact Discount-equipment.
- Reset with the RESET button (green).

STARTING AND STOPPING

Before starting



WARNING! Note the following before starting:

The machine should be connected to an earthed outlet socket.

Check that the mains voltage corresponds with that stated on the rating plate on the machine.

Ensure you stand firmly. Keep people and animals well away from the working area.

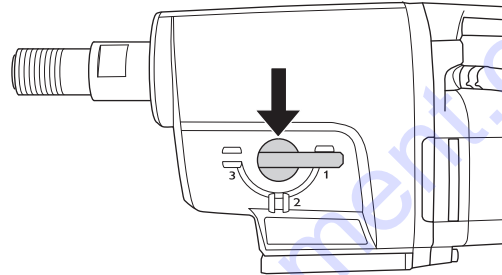
Make sure that:

- Power switch, cord and electrical outlet are intact. If not, they must be replaced by an authorised repairman.
- Cooling air vents are not blocked.
- The machine and its equipment are correctly installed.
- The stand is properly fixed and that the drill is properly mounted on the stand.
- The drill is secured properly.
- Water cooling is undamaged and connected to the machine.
- Use suitable drill bits depending on whether water or dry drilling is being performed. In the event of uncertainty contact Discount-equipment, your service workshop or an experienced operator.
- Prevent unintentional starting. Ensure the switch is in the OFF-position before connecting to power source.

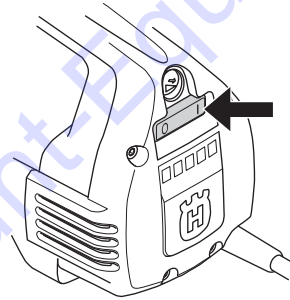
Starting

IMPORTANT! Changing gear may only be done when the machine is switched off. Otherwise there is a risk of damaging the gearbox.

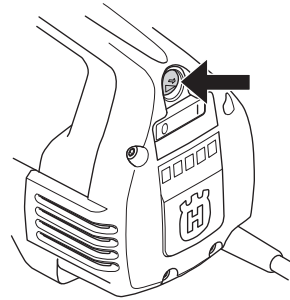
- 1 Set the working speed by turning the drill spindle and at the same time move the gear knob to the required position.



- 2 Turn on the water cooling.
- 3 Start the machine by switching on the on-off switch.



Also press, if desired, the Smartstart™ button.



Stopping



WARNING! The drill bit continues to rotate for a while after the motor has been switched off.

Do not stop the drill bit with your hands. Personal injuries can occur.

Switch the on-off switch off to stop the machine.

Cooling

Run the machine unloaded for a minute or two to cool the motor.

MAINTENANCE

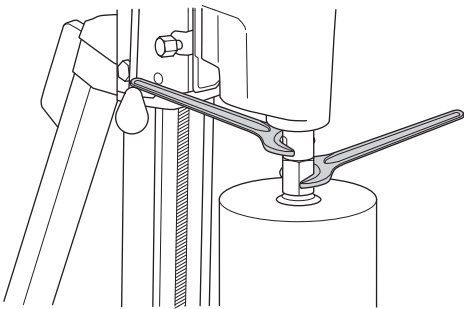
General

IMPORTANT! Inspection and/or maintenance should be carried out with the motor switched off and the plug disconnected.

The lifetime of your machine can be extended considerably if it is used, cared for and maintained in the proper manner.

Changing the drill bit

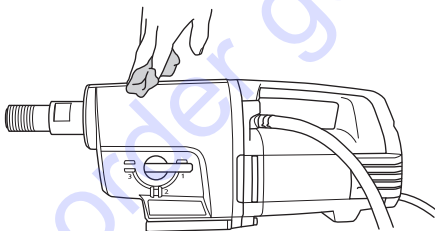
- 1 Pull out the plug.
- 2 Get:
 - The new drill bit.
 - Open-ended spanners, size 24 mm and 32 mm.
 - Water-resistant grease.
- 3 Remove the old drill bit using the open-ended spanners.
- 4 Apply water-resistant grease to the thread of the new drill bit.
- 5 Attach the drill bit using the open-ended spanners.



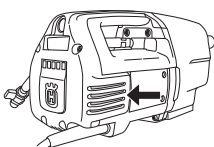
Before the machine is started, carefully check that the new bit is firmly attached.

Cleaning

- Keep the machine and drill bit clean in order for drilling to be carried out safely.



- Keep the handle dry and free of grease and oil.
- In order for the machine to always be cooled sufficiently the cooling air openings must be kept clear and clean.



- Use compressed air to periodically clean the motor. Remove the inspection cover and clean the cover.

Electrical Feed



WARNING! Never use damaged cables. They can cause serious, even fatal, personal injuries.

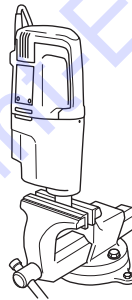
Check that the cord and extension cord are intact and in good condition. Never use the machine if the cord is damaged, hand it in to an authorized service workshop for repair.

Changing the gearbox oil

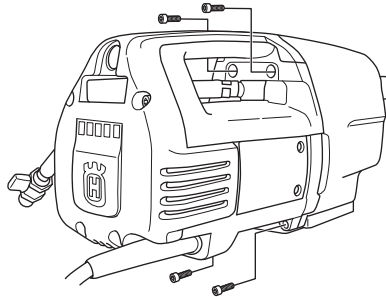
Contact Discount-equipment to get the right oil.

The oil in the gearbox must be changed after every 400 hours of operation. Do as follows:

- 1 Get:
 - New oil, STATOIL SYNTOL 75W-90 or other similar transmission oil.
 - A container for the old oil.
- 2 Secure the machine with drill spindle downwards in a vice or the like.

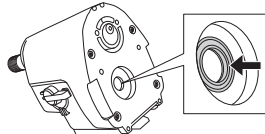


- 3 Unscrew the four screws holding the motor - gearbox modules together.



- 4 Carefully disassemble the machine.
- 5 Empty the gearbox oil into the container.
- 6 If necessary contact Discount-equipment to clean the gearbox. 7 Pour the new oil into the gearbox, about

0.5



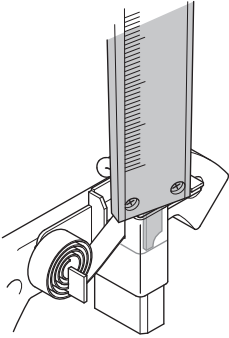
- 8 Check that the sealing lip on the radial seal is intact.
- 9 Reassemble the machine and screw in the four screws. Be careful when assembling so as not to damage the radial seal.

MAINTENANCE

Replacing the carbon brushes

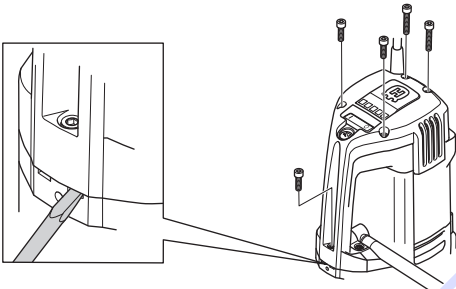
The carbon brushes must be removed and checked regularly. Weekly if the machine is used daily or at longer intervals if the machine is used more seldom. The area of wear should be even and undamaged.

You should replace the carbon brushes when around half is left. You can easily measure this using a slide gauge without removing the brushes.

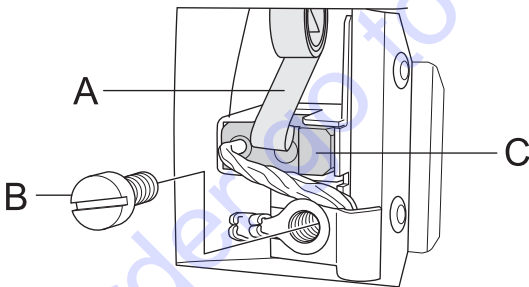


Replace the carbon brushes when the distance from the brush holder to the top level of the brush exceed 10 mm. Both carbon brushes must always be replaced as a pair, but one at a time. Do as follows:

- 1 Remove the 5 screws from the inspection cover. Use a chisel in the break tracks to easier remove the inspection cover.



- 2 Lift the brush retainer spring to one side (1).



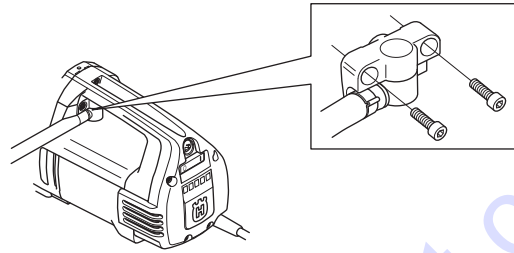
- 3 Loosen the screw (2).
- 4 Pull out the carbon brush connector.
- 5 Pull out the coal brush from the holder (3).
- 6 Clean the brush holder with compressed air or a brush. Replace the brush if worn.
- 7 Fit the new carbon brush. Make sure that the side with the copper wire is facing the gear box and that the carbon brush slides easily in the brush retainer. If the carbon brush is fitted in the wrong direction it can get jammed.
- 8 Put the brush holder spring back into place.
- 9 Insert the carbon brush connection under the screw.
- 10 Repeat the procedure with the other carbon brush.
- 11 Guide the inspection cover into the handle's tracks. Begin with the screw at the very bottom of the handle and unscrew the inspection cover's five screws.
- 12 Let the machine idle for 20 minutes to run in the new carbon brushes.

Let the machine idle for 20 minutes with the Smartstart (R) activated to run in the new carbon brushes.

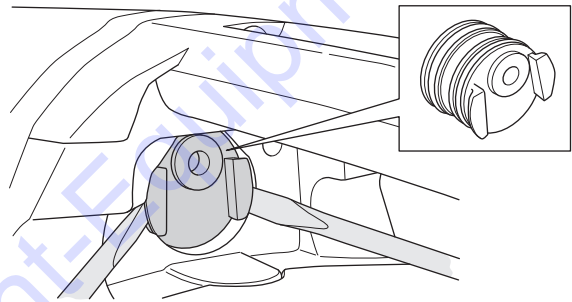
Replacing the seal retainer

If there is oil or water coming out of the leakage hole the seal retainer must be replaced.

- 1 Loosen the two screws for the water module.



- 2 Use two flathead screwdrivers to carefully prize open the seal retainer.
- 3 Carefully push in the new seal retainer and screw the water module back on.



Daily maintenance

- 1 Check that nuts and screws are tight.
- 2 Check that the power switch unit works smoothly.
- 3 Clean the outside of the machine.
- 4 Check and clean the cooling air openings.
- 5 Check that the cord and extension cord are intact and in good condition.

Repairs

Important All types of repairs may only be carried out by authorised repairmen. This is so that the operators are not exposed to great risks.

TECHNICAL DATA

Technical data

	DM 340	DM 340
Electric motor	Single-phase	Single-phase
Rated voltage, V	220-240	100-120
Rated output, W	3300	3300
Rated current, A	16	32
Weight, kg	14	14
Max. diameter drill bit, mm/inch	400/16	400/16
Water cooling		
Spindle thread	G 1 1/4"	G 1 1/4"
Water connector	G 1/4"	G 1/4"
Water pressure - max, bar	8	8
Noise emissions (see note 1)		
Sound power level, measured dB (A)	112	112
Sound power level, guaranteed dB(A)	113	113
Sound levels (see note 2)		
Sound pressure level at the operators ear, dB(A)	98	98
Vibration levels, a_{hv} (see note 3)		
Handle, m/s^2	1,0	1,0

Note 1: Noise emissions in the environment measured as sound power (L_{WA}) conforming to EN 12348.

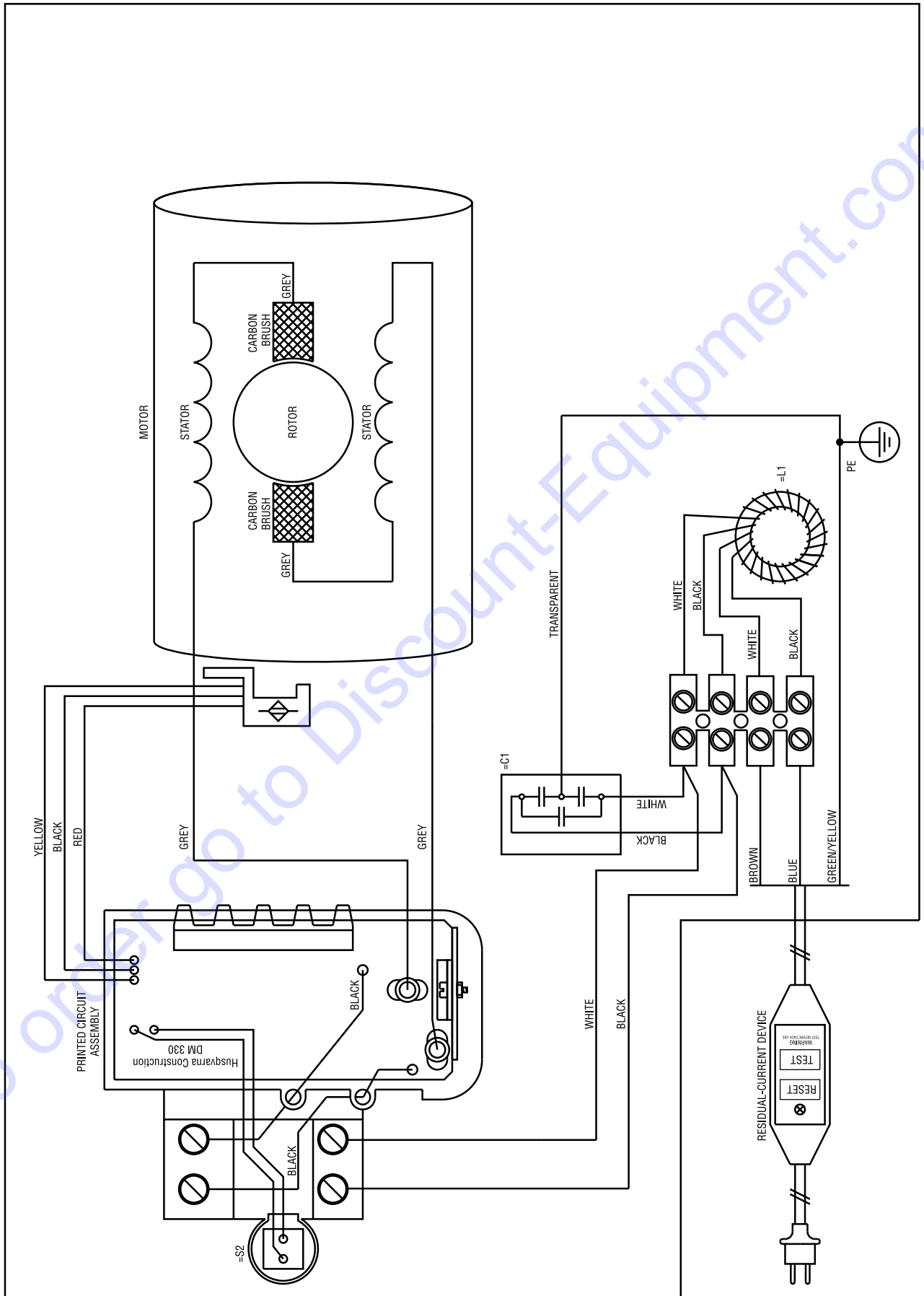
Note 2: Noise pressure level according to EN 12348. Reported data for noise pressure level has a typical statistical dispersion (standard deviation) of 1.0 dB(A).

Note 3: Vibration level according to EN 12348. Reported data for vibration level has a typical statistical dispersion (standard deviation) of 1 m/s^2 .

Gear	Drill bit load without load, rpm	Drill bit speed with load, rpm	Recommended drill bit size, mm	Recommended drill bit size, inch
1	240	170	200-400	8-16
2	530	380	100-200	4-8
3	900	1190	50-100	2-4

WIRING DIAGRAM

Wiring diagram



ACLARACIÓN DE LOS SÍMBOLOS

Símbolos en la máquina

¡ATENCIÓN! La máquina, si se utiliza de forma errónea o descuidada, puede ser una herramienta peligrosa que puede causar daños graves e incluso la muerte al usuario y a otras personas.



Lea detenidamente el manual de instrucciones y asegúrese de entender su contenido antes de utilizar la máquina.



Utilice el equipo de protección personal. Vea las instrucciones bajo el título "Equipo de protección personal".



Este producto cumple con la directiva CE vigente.



Etiquetado ecológico. El símbolo en el producto o en su envase indica que no se puede tratar este producto como desperdicio doméstico. Deberá por lo tanto depositarse en un centro de recogida adecuado para el reciclado de equipos eléctricos y electrónicos.



Haciendo que este producto sea manipulado adecuadamente, se ayuda a evitar consecuencias negativas potenciales para el medio ambiente y las personas, lo que puede ocurrir con la manipulación inadecuada como residuos del producto.

Para obtener información más detallada sobre el reciclado de este producto, contacte con la oficina municipal local, con el servicio de eliminación de desperdicios domésticos o con la tienda donde compró el producto.

Al perforar en techo, comprobar que no puede entrar agua en la máquina. Utilice un colector de agua adecuado.



Los demás símbolos/etiquetas que aparecen en la máquina corresponden a requisitos de homologación específicos en determinados mercados.

Explicación de los niveles de advertencia

Las advertencias se clasifican en tres niveles.

¡ATENCIÓN!



¡ATENCIÓN! Indica un riesgo de daños graves para el usuario o incluso muerte, o bien daños al entorno, si no se siguen las instrucciones del manual.

¡NOTA!



¡NOTA! Indica un riesgo de lesiones para el usuario o daños al entorno si no se siguen las instrucciones del manual.

AVISO

AVISO Indica un riesgo de daños en los materiales o en la máquina si no se siguen las instrucciones del manual.

ÍNDICE

Índice

ACLARACIÓN DE LOS SÍMBOLOS

Símbolos en la máquina	16
Explicación de los niveles de advertencia	16

ÍNDICE

Índice	17
--------------	----

PRESENTACIÓN

DM 340	18
--------------	----

¿QUÉ ES QUÉ?

Componentes de la taladradora	19
-------------------------------------	----

INSTRUCCIONES DE SEGURIDAD

Medidas a tomar antes de utilizar una taladradora nueva	20
Equipo de protección personal	20
Instrucciones generales de seguridad	21
Instrucciones generales de trabajo	22
Equipo de seguridad de la máquina	23

ARRANQUE Y PARADA

Antes de arrancar	24
Arranque	24
Parada	24

MANTENIMIENTO

Generalidades	25
Cambio de broca	25
Limpieza	25
Suministro eléctrico	25
Cambio del aceite de la caja de cambios	25
Cambio de escobillas de carbón	26
Cambio del anillo de retención de la junta	26
Mantenimiento diario	26
Reparaciones	26

DATOS TÉCNICOS

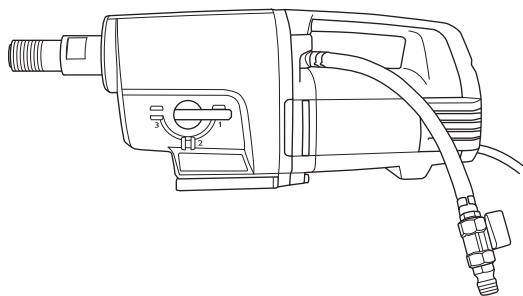
Datos técnicos	27
Declaración CE de conformidad	28

ESQUEMA DE CONEXIONES ELÉCTRICAS

Esquema de conexiones eléctricas	29
--	----

PRESENTACIÓN

DM 340



Esperamos que su máquina le proporcione plena satisfacción y le sirva de ayuda por mucho tiempo en adelante. Tenga en cuenta que este manual de instrucciones es un documento de valor. Siguiendo sus instrucciones (de uso, servicio, mantenimiento, etcétera) puede alargar considerablemente la vida útil de la máquina e incrementar su valor de reventa. Si vende su máquina, entregue el manual de instrucciones al nuevo propietario.

La adquisición de alguno de nuestros productos da acceso a asistencia profesional con reparaciones y servicio. Si la máquina no fue adquirida en un distribuidor oficial, preguntar en la tienda de compra la dirección del taller de servicio más cercano.

Husqvarna Construction Products se esfuerza constantemente por mejorar la construcción de sus productos. Por consiguiente, Husqvarna se reserva el derecho a introducir modificaciones de diseño sin previo aviso y sin compromisos ulteriores.

- DM 340 es un taladro eléctrico con base diseñado para perforar hormigón, ladrillo y varios tipos de piedra.
- La taladradora es de diseño modular y fácil de montar.
- La máquina está equipada con una conexión hidráulica que se puede girar 180° para facilitar su manejo.
- La DM 340 tiene tres gamas de velocidades para tamaños de broca de hasta 400 mm.
- La máquina tiene caja de cambios refrigerada por agua con un tubo que atraviesa el eje del husillo.
- La máquina tiene LED indicadores que señalan la potencia de salida. De esta manera, podrá conseguir la máxima potencia de salida sin causar daños a la máquina.

La taladradora está equipada con Softstart™, Smartstart™, Elgard™ y regulación de velocidad.

Softstart™

Softstart™ es un limitador de sobreintensidad electrónico que permite un arranque más suave. La velocidad máxima se alcanza aproximadamente tres segundos después de haber encendido la máquina.

Smartstart™

Si se pulsa el botón Smartstart™, la velocidad se reduce. En el modo Smartstart™, la máquina tiene menos potencia mientras no se vuelva a pulsar el botón. Estas funciones son muy útiles para realizar un orificio guía para la perforación.

Elgard™

Elgard™ es una protección electrónica contra sobrecarga. Tiene en cuenta factores como la tensión de entrada nominal y la temperatura ambiente. De esta manera, podrá conseguir la máxima potencia de salida sin causar daños a la máquina.

Si el motor se sobrecarga, la protección hace que el motor pulse. Cuando la carga se reduce, el motor recupera la velocidad normal. Si la máquina es sometida a una carga grande o si la broca se atasca, la protección contra sobrecarga corta la corriente. Reinicie la máquina apagándola y encendiéndola de nuevo. Si se atasca la broca, el acoplamiento deslizante mecánico protege la caja de cambios antes de que la protección contra sobrecarga corte la corriente.

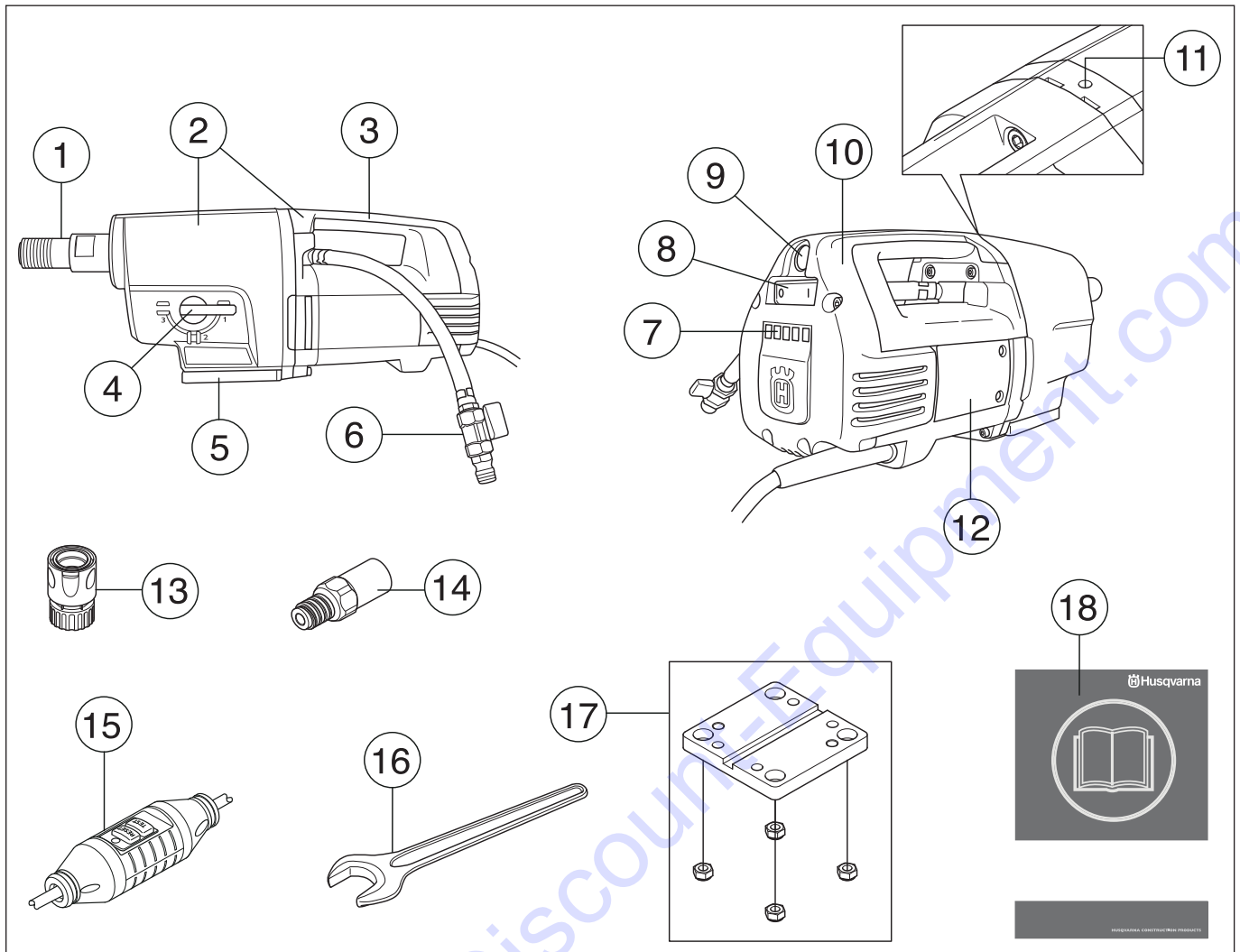
Regulación de velocidad

El régimen de ralentí de la máquina es limitado por la función de regulación de velocidad. De esta manera, la refrigeración de la máquina al ralentí será más eficaz.

Ergonomía

El mango de transporte facilita el transporte de la máquina y permite montarla sobre la base.

¿QUÉ ES QUÉ?



Componentes de la taladradora

- | | |
|--|--|
| 1 Husillo de taladradora | 10 Tapa de inspección |
| 2 Módulo de caja de cambios y motor | 11 Orificio de fugas |
| 3 Mango de transporte | 12 Mirilla |
| 4 Manija de cambio | 13 Manguito directo (accesorio) |
| 5 Soporte rápido para base de Husqvarna | 14 Adaptador (accesorio) |
| 6 Conexión de agua | 15 Interruptor de circuito de pérdida a tierra |
| 7 LED indicadores de la potencia de salida | 16 Llave de tuercas, 32 mm |
| 8 Interruptor | 17 Soporte del motor, base |
| 9 Smart Start® | 18 Manual de instrucciones |

INSTRUCCIONES DE SEGURIDAD

Medidas a tomar antes de utilizar una taladradora nueva

- No utilizar la taladradora sin antes haber leído y comprendido el contenido de este manual de instrucciones.
- DM 340 es un taladro eléctrico con base diseñado para perforar hormigón, ladrillo y varios tipos de piedra.
- La máquina está destinada al uso por operadores experimentados, en aplicaciones industriales. Cualquier otro uso será considerado como no específico de la máquina.

Emplee siempre el sentido común

Es imposible abarcar todas las situaciones imaginables que se pueden producir al utilizar una taladradora. Proceder siempre con cuidado y emplear el sentido común. El usuario debe evitar usar la máquina en aplicaciones para las que no se considere suficientemente calificado. Si después de leer estas instrucciones todavía hay inseguridad en cuanto al procedimiento de uso, consultar con un experto antes de proseguir. No dudar en ponerse en contacto con el distribuidor o con el fabricante si hay alguna duda en cuanto al empleo de la taladradora. Estamos a su disposición para dar consejos que ayuden a emplear la taladradora de forma mejor y más segura.

Encargar al distribuidor de Husqvarna la revisión regular de la taladradora y la realización de los ajustes y reparaciones necesarios.

Husqvarna Construction Products se esfuerza constantemente por mejorar la construcción de sus productos. Por consiguiente, Husqvarna se reserva el derecho a introducir modificaciones de diseño sin previo aviso y sin compromisos ulteriores.

Toda la información y todos los datos contenidos en este manual de instrucciones son vigentes en la fecha de impresión del manual.



¡ATENCIÓN! No está permitido modificar el diseño original de la máquina, por ningún motivo, sin la autorización del fabricante. Utilice siempre accesorios originales. Las modificaciones y/o el uso de accesorios no autorizados comportan riesgo de daños personales graves y peligro de muerte para el usuario y otras personas.



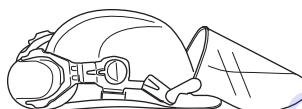
¡ATENCIÓN! El uso de productos que cortan, pulen, taladran, alisan o forman materiales puede generar polvo y vapores que pueden contener sustancias químicas dañinas. Averiguar la composición del material con que se trabaja y usar una máscara respiratoria adecuada.

Equipo de protección personal

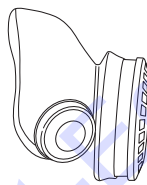


¡ATENCIÓN! Para trabajar con la máquina debe utilizarse un equipo de protección personal homologado. El equipo de protección personal no elimina el riesgo de lesiones, pero reduce su efecto en caso de accidente. Pida a su distribuidor que le asesore en la elección del equipo.

- Casco protector
- Protectores auriculares
- Gafas protectoras o visor



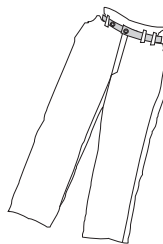
- Máscara respiratoria



- Guantes resistentes de agarre seguro.



- Prendas de vestir ceñidas, resistentes y cómodas que permitan una libertad de movimientos total.



- Botas con puntera de acero y suela antideslizante.



- Tenga siempre a mano el equipo de primeros auxilios.



INSTRUCCIONES DE SEGURIDAD

Instrucciones generales de seguridad



¡ATENCIÓN! Lea todas las advertencias e instrucciones de seguridad. No atender a estas advertencias e instrucciones puede provocar descargas eléctricas, incendios y lesiones graves.

Seguridad en el área de trabajo

- **Mantenga el área de trabajo limpia y bien iluminada.** Las zonas abarrotadas de cosas u oscuras favorecen los accidentes.
- **No maneje herramientas eléctricas en ambientes explosivos como aquellos en los que hay líquidos, gases o polvo inflamables.** Las herramientas eléctricas producen chispas que pueden inflamar el polvo o los vapores.
- Las personas y los animales pueden distraer y hacer perder el control de la máquina. Por consiguiente, el operador debe estar siempre concentrado en su trabajo.
- No trabaje en condiciones atmosféricas desfavorables como niebla, lluvia intensa, tempestad, frío intenso, etc. Trabajar con mal tiempo es cansador y puede crear condiciones peligrosas, por ejemplo suelo resbaladizo.
- Antes de comenzar a trabajar con la máquina, controle siempre que el lugar esté libre y que los pies estén bien afirmados al terreno. Controle posibles obstáculos en caso de movimientos repentinos. Asegúrese de que no haya elementos que puedan caer y provocar daños al trabajar con la máquina.
- Controlar siempre la parte posterior de la superficie en la que sale la broca al penetrar. Impedir el acceso cercando la zona de trabajo y procurar que no haya riesgo de daños personales o materiales.

Seguridad eléctrica



¡ATENCIÓN! Existe siempre riesgo de sacudidas eléctricas al usar máquinas eléctricas. No usar la máquina en condiciones climáticas desfavorables y evitar el contacto del cuerpo con pararrayos y objetos metálicos. Seguir siempre las instrucciones del manual para evitar daños.



¡ATENCIÓN! No lave la máquina con agua, ya que puede penetrar en el sistema eléctrico o en el motor y causar daños en la máquina o un cortocircuito.

- No utilice nunca la herramienta sin el diferencial que se entrega con ella.
- La máquina se debe enchufar a un enchufe con masa.
- Compruebe que la tensión de red concuerda con la que se indica en la placa de características de la máquina.
- Compruebe que el cable y el cable de empalme está intacto. Utilizar un cable de alargue para uso a la intemperie.
- Si se daña un cable, no utilice la máquina. Llévela a reparar a un taller de servicio oficial.

- Un cable de alargue no debe usarse enrollado porque hay riesgo de sobrecalentamiento.
- No lleve nunca la máquina agarrando el cable y no tire del cable para desenchufarla.
- Mantenga todos los cables y cables de empalme apartados de agua, aceite y cantos agudos. Proceda con cuidado para evitar que el cable se apriete en puertas, vallas o similares. Hay riesgo de cargar objetos con electricidad.
- El sistema de agua refrigera la broca del taladro con agua limpia. No esponga la herramienta eléctrica a una humedad mayor que la del sistema hidráulico. Debe asegurarse de que no entra lechada en la máquina.
- No esponga la herramienta eléctrica a la lluvia. El riesgo de recibir descargas eléctricas aumentará si penetra agua en la herramienta eléctrica.
- Al emplear la máquina, hágalo con el cable detrás suyo para evitar dañarlo.

Seguridad personal

- Utilice el equipo de protección personal. Vea las instrucciones bajo el título "Equipo de protección personal".
- Nunca utilice la máquina si está cansado, si ha ingerido alcohol o si toma medicamentos que puedan afectar la vista, su capacidad de discernimiento o el control del cuerpo.
- Evite el encendido accidental de la herramienta. Asegúrese de que el interruptor está en la posición de apagado antes de conectar la máquina a la fuente de alimentación. Transportar herramientas eléctricas con el dedo puesto sobre el interruptor o encenderlas con el interruptor en la posición de encendido puede provocar accidentes.
- **Quite todas las clavijas de ajuste o llaves de tuercas antes de encender la herramienta eléctrica.** Una llave de tuercas o clavija de ajuste que se ha dejado colocada en una pieza giratoria de la herramienta eléctrica puede causar lesiones.
- Nunca deje que terceros utilicen la máquina sin asegurarse primero de que hayan entendido el contenido de este manual de instrucciones.
- Tener en cuenta que las ropas, el pelo largo y las joyas pueden atascarse en piezas móviles.
- Mantenerse apartado de la broca cuando el motor está en marcha.
- Comprobar que en la zona que se va a perforar no haya tuberías ni cables eléctricos instalados.
- No abandonar nunca la máquina sin vigilar, con el motor en marcha.
- Desenchufar siempre el contacto para paradas prolongadas del trabajo.
- Un operador nunca debe trabajar solo; siempre debe haber otra(s) persona(s) cerca. Así, además de tener ayuda para montar la máquina, también puede recibirse asistencia en caso de accidente.

INSTRUCCIONES DE SEGURIDAD

Uso y cuidado

- No utilice nunca una máquina defectuosa. Lleve a cabo las comprobaciones de seguridad y siga las instrucciones de mantenimiento y servicio de este manual. Algunas medidas de mantenimiento y servicio deben ser efectuadas por especialistas formados y cualificados. Consulte las instrucciones del apartado Mantenimiento.
- El control y/o mantenimiento de la máquina debe hacerse con el motor parado y el enchufe desenchufado.
- **No utilice la herramienta eléctrica si el interruptor no funciona.** Las herramientas que no se puedan controlar con el interruptor son peligrosas y deben repararse.
- No utilice nunca una máquina que haya sido modificada de modo que ya no coincida con la configuración original.
- No sobrecargar la máquina. La sobrecarga puede dañar la máquina.
- Mantener las herramientas afiladas y limpias para que el trabajo sea más seguro.
- Mantener todas las piezas en perfecto estado y comprobar que todos los elementos de fijación estén bien apretados.

Transporte y almacenamiento

- Para proteger la taladradora y las brocas contra daños, no almacenar ni transportar la taladradora con la broca montada.
- Guardar la taladradora en un espacio cerrado con llave para que sea inaccesible a niños y personas no autorizadas.
- Guardar la taladradora y el soporte en un lugar seco y con temperatura sobre cero.

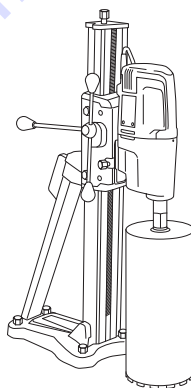
Instrucciones generales de trabajo



¡ATENCIÓN! Este capítulo trata las reglas de seguridad básicas para trabajar con la taladradora. La información no puede sustituir nunca a los conocimientos, formación y experiencia práctica de un profesional. Si en alguna situación hay inseguridad en cuanto a seguir empleando la máquina, consultar con un experto. Consultar al distribuidor, al taller de servicio o a un usuario de taladradoras experimentado. No se debe emplear la máquina en aplicaciones para las que el usuario no se considera plenamente cualificado.

- La máquina tiene un par torsor muy alto. Esto requiere una gran concentración durante el trabajo debido al riesgo de daños personales graves si la broca se bloquea súbitamente.
- Mantener las manos apartadas del husillo de taladro y la broca cuando funciona la máquina.
- Prestar atención a las fugas de aceite o de agua. Si sale agua o aceite por el agujero de fuga de la parte superior del collar de accionamiento, hay que cambiar las juntas.

Perforación con soporte



- La máquina está diseñada para perforación con soporte.
- Se recomiendan los siguientes soportes de taladro para el motor de la perforadora:
 - DS 50 AT/ATS/Gyro/COMBO/BASIC
 - DS 70 AT/ATS
 - DS 450 ATS
- Comprobar que el soporte está bien anclado.
- Comprobar que la taladradora está bien fijada en el soporte.

Perforación a la intemperie

- Usar siempre cables de empalme homologados para uso en intemperie.

Para taladrar en techos y similares:

- Utilizar un colector de agua para impedir que entre agua en la máquina.

INSTRUCCIONES DE SEGURIDAD

Equipo de seguridad de la máquina

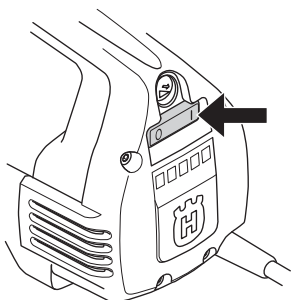
En este capítulo se describen los componentes de seguridad de la máquina, su función y el modo de efectuar el control y el mantenimiento para garantizar un funcionamiento óptimo. En cuanto a la ubicación de estos componentes en su máquina, vea el capítulo Qué es qué.



¡ATENCIÓN! Nunca utilice una máquina con componentes de seguridad defectuosos.

¡IMPORTANTE! Todos los trabajos de servicio y reparación de la máquina requieren una formación especial. Esto es especialmente importante para el equipo de seguridad de la máquina. Si la máquina no pasa alguno de los controles indicados a continuación, acuda a su taller de servicio local. La compra de alguno de nuestros productos le garantiza que puede recibir un mantenimiento y servicio profesional. Si no ha adquirido la máquina en una de nuestras tiendas especializadas con servicio, solicite información sobre el taller de servicio más cercano.

Interruptor



El interruptor se usa para arrancar y parar la máquina.

Control del interruptor

- Encienda la máquina con el interruptor de encendido / apagado.
- Accione el interruptor de encendido / apagado para apagar la máquina.
- Un interruptor defectuoso debe ser cambiado por un taller de servicio oficial.

Interruptor de circuito de pérdida a tierra

Los interruptores de circuito de pérdida a tierra aportan protección en caso de que se produzca un fallo eléctrico.

El LED indica que el interruptor de circuito de pérdida a tierra está encendido y que la máquina puede encenderse. Si el LED no está encendido, pulse el botón RESET (Reinicio) (verde).



Compruebe el interruptor de circuito de pérdida a tierra

- Conecte la máquina a la toma. Pulse el botón RESET (verde) y el LED rojo se encenderá.



- Arrancar la máquina pulsando el interruptor.
- Pulse el botón TEST (Prueba) (azul).



- El interruptor de circuito de pérdida a tierra se activará y la máquina se apagará inmediatamente. En caso contrario, póngase en contacto con su distribuidor.
- Reinicielo pulsando el botón RESET (verde).

ARRANQUE Y PARADA

Antes de arrancar



¡ATENCIÓN! Antes de arrancar, observe lo siguiente:

La máquina se debe enchufar a un enchufe con masa.

No utilice nunca la herramienta sin el diferencial que se entrega con ella. Compruebe el interruptor del circuito de avería por puesta a tierra. Vea las instrucciones bajo el título Control, mantenimiento y servicio del equipo de seguridad de la máquina.

Compruebe que la tensión de red concuerda con la que se indica en la placa de características de la máquina.

El usuario debe mantener una postura firme. Asegúrese de que no haya terceros desautorizados en la zona de trabajo.

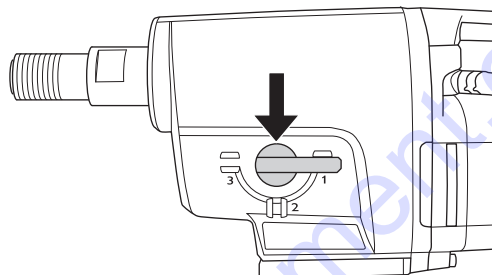
Comprobar que:

- El bloqueador de interruptor, el cable y la salida eléctrica están intactos. De no ser así, deben ser reemplazados por un operario autorizado.
- Los conductos del aire de refrigeración no están bloqueados.
- La máquina y sus equipos están correctamente montados.
- La base está fijada correctamente y el taladro se encuentra sobre la base.
- La broca está bien fijada.
- La refrigeración por agua se encuentra conectada a la máquina y no está dañada.
- Utilizar una broca adecuada para perforación húmeda o en seco. En caso de inseguridad, consultar con el distribuidor, el taller de servicio o un usuario de taladradoras experimentado.
- Evite el encendido accidental de la herramienta. Asegúrese de que el interruptor está en la posición de apagado antes de conectar la máquina a la fuente de alimentación.

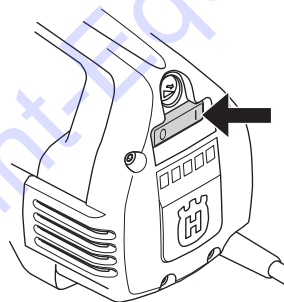
Arranque

¡IMPORTANTE! El cambio de marchas sólo debe hacerse con la máquina parada. De lo contrario hay riesgo de averiar la caja de cambios.

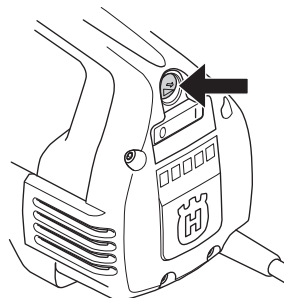
- 1 Ajustar la velocidad de trabajo, girando el husillo de taladradora y, al mismo tiempo, poniendo la manija de cambio en la posición deseada.



- 2 Activar la refrigeración por agua.
- 3 Encienda la máquina con el interruptor de encendido / apagado.



Si se desea, presionar el botón Smartstart™.



Parada



¡ATENCIÓN! La broca continúa girando unos instantes después de parar el motor.

No detener la broca con las manos. De hacerlo, hay riesgo de daños personales.

Accione el interruptor de encendido / apagado para apagar la máquina.

Refrigeración

Hacer funcionar la máquina sin carga durante unos minutos para enfriar el motor.

MANTENIMIENTO

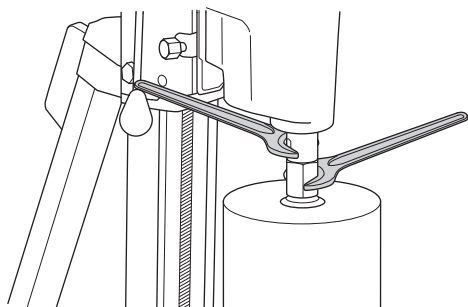
Generalidades

¡IMPORTANTE! El control y/o mantenimiento de la máquina debe hacerse con el motor parado y el enchufe desenchufado.

La vida útil de la máquina se alarga considerablemente si se utiliza, cuida y mantiene correctamente.

Cambio de broca

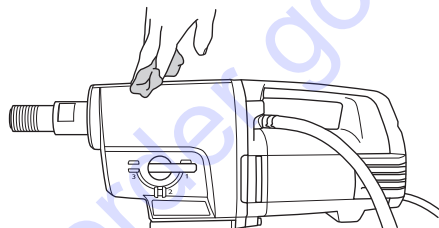
- 1 Desenchufar la máquina.
- 2 Preparar:
 - La broca nueva.
 - Llaves de tuercas (tamaño: 24 mm y 32 mm).
 - Grasa hidrófuga.
- 3 Desmontar la broca vieja con las llaves fijas.
- 4 Aplicar grasa hidrófuga en la rosca de la broca nueva.
- 5 Montar la broca con las llaves fijas.



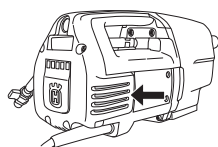
Antes de arrancar la máquina, comprobar que la broca nueva esté bien fijada.

Limpieza

- Mantener limpia la máquina y la broca para que la perforación se pueda hacer de forma segura.



- Mantener la empuñadura seca y limpia de grasa y aceite.
- Para que la máquina tenga siempre una buena refrigeración, las aberturas de paso del aire refrigerante deben mantenerse libres y limpias.



- Limpiar el motor con aire comprimido a intervalos regulares. Quitar la tapa de inspección y limpiarla.

Suministro eléctrico



¡ATENCIÓN! No usar nunca cables dañados, puesto que pueden causar daños personales graves e incluso mortales.

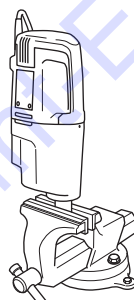
Compruebe que el cable y el cable de empalme está intacto. Si se daña el cable, no utilice la máquina. Llévela a un taller de servicio oficial para reparar.

Cambio del aceite de la caja de cambios

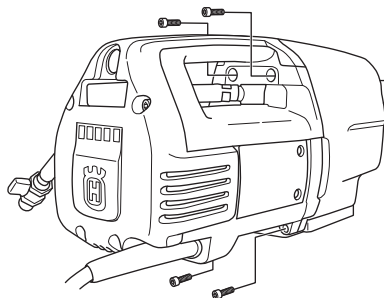
Consultar con el distribuidor en cuanto al aceite adecuado.

El aceite de la caja de cambios debe cambiarse cada 400 horas de trabajo. Procedimiento de cambio:

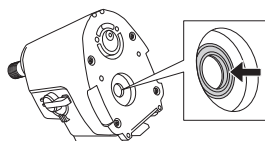
- 1 Preparar:
 - Aceite nuevo: STATOIL SYNTOL 75W-90 u otro aceite para engranajes similar.
 - Recipiente para recoger el aceite viejo.
- 2 Fijar la máquina en un tornillo de banco o similar, con el husillo de taladro hacia abajo.



- 3 Quitar los cuatro tornillos que fijan el motor en el módulo de caja de cambios.



- 4 Desmontar la máquina con cuidado.
- 5 Vaciar el aceite de la caja de cambios en el recipiente.
- 6 En caso necesario, contactar con el distribuidor para la limpieza de la caja de cambios.
- 7 Poner aceite nuevo en la caja de cambios; aproximadamente 0,5 litros.



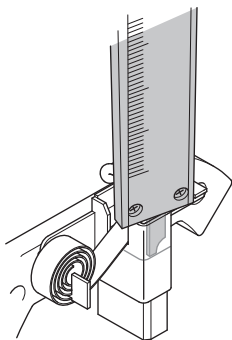
- 8 Compruebe que el saliente obturador de la junta radial está intacto.
- 9 Armar la máquina y poner los cuatro tornillos. Tenga cuidado al montarla para no dañar la junta radial.

MANTENIMIENTO

Cambio de escobillas de carbón

Las escobillas deben desmontarse y revisarse regularmente. Cada semana si la máquina se utiliza a diario, o a intervalos más largos si se utiliza con menor frecuencia. La superficie de desgaste debe estar regular e intacta. Las escobillas de carbón deben cambiarse cuando se haya desgastado la mitad.

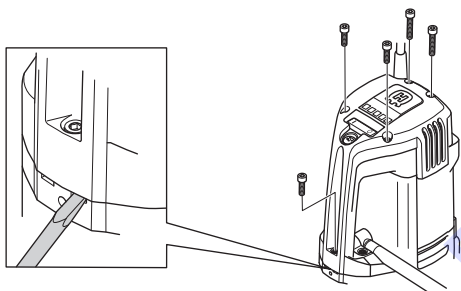
El desgaste puede medirse con una galga deslizante sin tener que desmontar las escobillas.



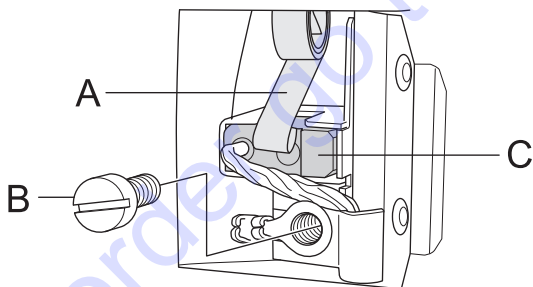
Sustituya las escobillas de carbón cuando la distancia desde el portaescobilla hasta la parte superior de la escobilla sea superior a 10 mm/0,4 pulgadas.

Ambas escobillas deben cambiarse siempre en la misma oportunidad, pero de una en una. Procedimiento de cambio:

- 1 Quitar los 5 tornillos de la tapa de inspección. Introduzca un cincel en las aberturas para retirar con más facilidad la cubierta de inspección.



- 2 Levante el muelle retenedor del cepillo hacia un lado (1).



- 3 Afloje el tornillo (2).
- 4 Sacar la conexión de escobilla.
- 5 Extraiga el cepillo de carbón del soporte (3).
- 6 Limpie el portaescobillas con aire comprimido o con un cepillo. Reemplace la escobilla si está gastada.
- 7 Coloque la escobilla de carbón nueva. Asegúrese de que el lado con el cable de cobre está dirigido hacia la caja de engranajes y que la escobilla de carbón se introduce con facilidad en el retenedor de la escobilla. Si la escobilla de carbón está colocada en la dirección errónea, puede atascarse.
- 8 Colocar el muelle del portaescobilla.
- 9 Insertar la conexión de escobilla debajo del tornillo.
- 10 Repetir el procedimiento con la otra escobilla.
- 11 Introduzca la cubierta de inspección en las guías del mango. Comenzando por el tornillo inferior del mango, desatornille los cinco tornillos de la cubierta de inspección.

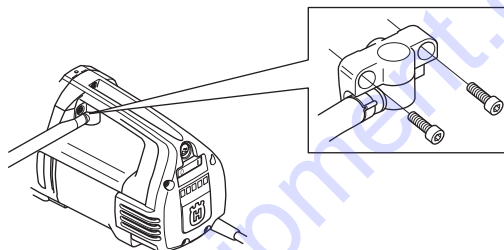
- 12 Dejar la máquina funcionando en ralentí durante 20 minutos para hacer el rodaje de las escobillas nuevas.

Deje la máquina a ralentí durante 20 minutos con el botón Smartstart (R) activo para realizar el procedimiento de rodaje de las escobillas.

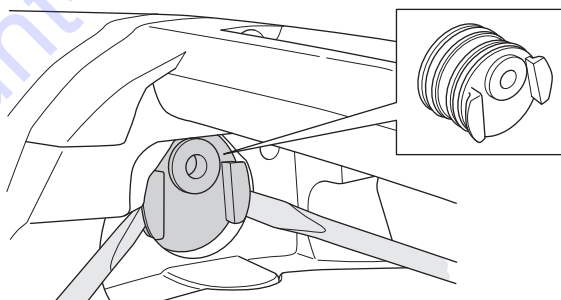
Cambio del anillo de retención de la junta

Si se produce una fuga de aceite o agua, será necesario cambiar el anillo de retención de la junta.

- 1 Afloje los dos tornillos del módulo hidráulico.



- 2 Utilice dos destornilladores de cabeza plana para extraer el anillo de retención de la junta haciendo palanca cuidadosamente.
- 3 Introduzca con suavidad el nuevo anillo de retención de la junta y vuelva a atornillar el módulo hidráulico.



Mantenimiento diario

- 1 Compruebe que los tornillos y las tuercas estén apretados.
- 2 Compruebe que la unidad de interruptor funciona de forma segura.
- 3 Limpie la parte exterior de la máquina.
- 4 Revise y limpie las aberturas de aire refrigerante.
- 5 Compruebe que el cable y el cable de empalme está intacto.

Reparaciones

Importante Las reparaciones de todo tipo deben ser efectuadas por técnicos autorizados, únicamente. De este modo se evita someter a los operadores a grandes riesgos.

DATOS TECNICOS

Datos técnicos

	DM 340	DM 340
Motor eléctrico	Monofásico	Monofásico
Tensión nominal, V	220-240	100-120
Potencia nominal, W	3300	3300
Amperaje nominal, A	16	32
Peso, kg	14	14
Diámetro máximo de broca, mm/pulgadas	400/16	400/16
Refrigeración por agua		
Rosca de husillo	G 1 1/4"	G 1 1/4"
Conexión de agua	G 1/4'	G 1/4'
Presión del agua - máx, bar	8	8
Emisiones de ruido (vea la nota 1)		
Nivel de potencia acústica medido dB(A)	112	112
Nivel de potencia acústica garantizado dB(A)	113	113
Niveles acústicos (vea la nota 2)		
Nivel de presión acústica en el oído del usuario, dB(A)	98	98
Niveles de vibraciones, a_{hv} (vea la nota 3)		
Empuñadura, m/s^2	1,0	1,0

Nota 1: Emisiones sonoras en el entorno medidas como potencia sonora (L_{WA}) según la norma EN 12348.

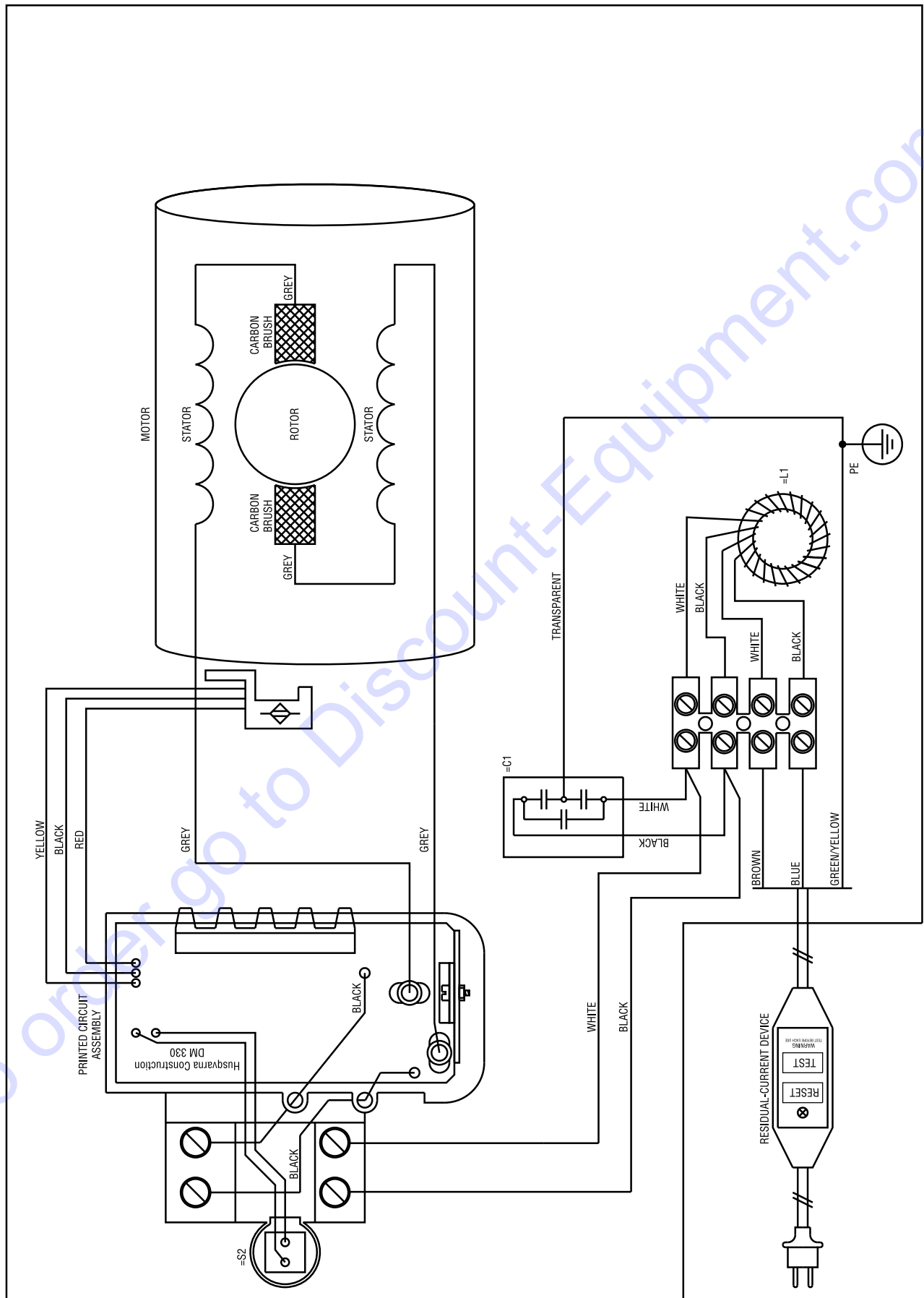
Nota 2: Nivel de presión sonora conforme a EN 12348. Los datos referidos del nivel de presión sonora tienen una dispersión estadística habitual (desviación estándar) de 1,0 dB(A).

Nota 3: Nivel de vibración conforme a EN 12348. Los datos referidos del nivel de vibración poseen una dispersión estadística habitual (desviación típica) de 1 m/s^2 .

Engranaje	Velocidad de la broca sin carga, r.p.m.	Velocidad de la broca con carga, r.p.m.	Tamaño de broca recomendado, mm	Tamaño de broca recomendado, pulgadas
1	240	170	200-400	8-16
2	530	380	100-200	4-8
3	900	1190	50-100	2-4

ESQUEMA DE CONEXIONES ELÉCTRICAS

Esquema de conexiones eléctricas



TO PURCHASE THIS PRODUCT PLEASE CONTACT US



**Equipment Financing and
Extended Warranties Available**



**Discount-Equipment.com is your online resource for
commercial and industrial quality parts and equipment sales.**

561-964-4949

visit us on line @ www.discount-equipment.com

Select an option below to find your Equipment

Search by Manufacturer

Search by Product Type

Request a Quote

We sell worldwide for the brands: Genie, Terex, JLG, MultiQuip, Mikasa, Essick, Whiteman, Mayco, Toro Stone, Diamond Products, Generac Magnum, Airman, Haulotte, Barreto, Power Blanket, Nifty Lift, Atlas Copco, Chicago Pneumatic, Allmand, Miller Curber, Skyjack, Lull, Skytrak, Tsurumi, Husquvarna Target, Stow, Wacker, Sakai, Mi-T-M, Sullair, Basic, Dynapac, MBW, Weber, Bartell, Bennar Newman, Haulotte, Ditch Runner, Menegotti, Morrison, Contec, Buddy, Crown, Edco, Wyco, Bomag, Laymor, EZ Trench, Bil-Jax, F.S. Curtis, Gehl Pavers, Heli, Honda, ICS/PowerGrit, IHI, Partner, Imer, Clipper, MMD, Koshin, Rice, CH&E, General Equipment, Amida, Coleman, NAC, Gradall, Square Shooter, Kent, Stanley, Tamco, Toku, Hatz, Kohler, Robin, Wisconsin, Northrock, Oztec, Toker TK, Rol-Air, APT, Wylie, Ingersoll Rand / Doosan, Innovatech, Con X, Ammann, Mecalac, Makinex, Smith Surface Prep, Small Line, Wanco, Yanmar

EXPLICAÇÃO DOS SÍMBOLOS

Símbolos na máquina

ATENÇÃO! A máquina, se for usada de forma indevida ou incorrecta, pode ser perigosa, causando sérios ferimentos ou mesmo a morte do utente ou outras pessoas.

Leia as instruções para o uso com toda a atenção e compreenda o seu conteúdo antes de fazer uso da máquina.

Use equipamento de protecção pessoal. Ver as instruções na secção "Equipamento de protecção pessoal".

Este produto está conforme as directivas em validade da CE.

Marca ambiental. O símbolo no produto ou respectiva embalagem indica que este produto não pode ser processado como detritos domésticos. O produto deve então ser entregue a uma estação de reciclagem adequada para reciclagem de equipamento eléctrico e electrónico.

Providenciando para que este produto seja processado de forma correcta, você pode contribuir para contrariar potenciais consequências negativas para o meio ambiente e pessoas, que caso contrário, podem ser provocadas pela gestão inadequada dos resíduos deste produto.

Para mais informação sobre a reciclagem deste produto, contacte os serviços competentes da sua autarquia, o serviço de recolha de resíduos domésticos ou o estabelecimento onde adquiriu o produto.

Na perfuração de tectos, certifique-se de que não pode penetrar água na máquina. Utilize um colector de água apropriado.

Os restantes símbolos e autocolantes existentes na máquina dizem respeito a exigências específicas para homologação em alguns países.



Explicação dos níveis de advertência

As advertências são classificadas em três níveis.

ATENÇÃO!



ATENÇÃO! Utilizado no caso de existir risco de ferimento grave ou morte para o operador ou de danos nas zonas envolventes, se não forem seguidas as instruções do manual.

CUIDADO!



CUIDADO! Utilizado no caso de existir risco de ferimento para o operador ou de danos nas proximidades, se não forem seguidas as instruções do manual.

ATENÇÃO!

ATENÇÃO! Utilizado se existir risco de danos para os materiais ou para a máquina, se não forem seguidas as instruções do manual.

ÍNDICE

Índice

EXPLICAÇÃO DOS SÍMBOLOS

Símbolos na máquina	30
Explicação dos níveis de advertência	30

ÍNDICE

Índice	31
--------------	----

APRESENTAÇÃO

DM 340	32
--------------	----

COMO SE CHAMA?

Como se chama na perfuradora?	33
-------------------------------------	----

INSTRUÇÕES DE SEGURANÇA

Precauções antes de usar uma perfuradora nova	34
Equipamento de protecção pessoal	34
Instruções gerais de segurança	35
Instruções gerais de trabalho	36
Equipamento de segurança da máquina	37

ARRANQUE E PARAGEM

Antes de começar	38
Arranque	38
Paragem	38

MANUTENÇÃO

Noções gerais	39
Troca de broca	39
Limpeza	39
Alimentação eléctrica	39
Mudança de óleo da caixa de velocidades	39
Substituir escovas de carvão	40
Substituir o retentor do selo	40
Controle diário	40
Reparações	40

ESPECIFICAÇÕES TÉCNICAS

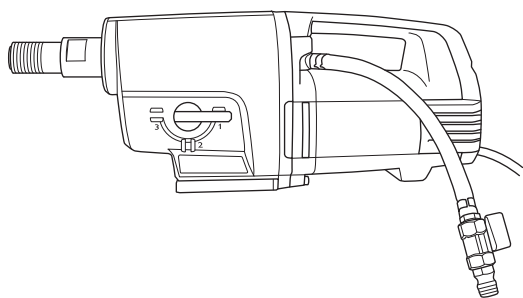
Especificações técnicas	41
Certificado CE de conformidade	42

ESQUEMA ELÉCTRICO

Esquema eléctrico	43
-------------------------	----

APRESENTAÇÃO

DM 340



Esperamos que ficará satisfeito com a sua nova máquina e que ela o acompanhará durante muito tempo. Lembre-se de que estas instruções de utilização são um documento valioso. Seguindo o seu conteúdo (utilização, assistência técnica, manutenção, etc) aumentará consideravelmente a vida útil da máquina bem como o preço de venda em segunda mão da mesma. Se vender a sua máquina, entregue as instruções de utilização ao novo proprietário.

A compra de qualquer dos nossos produtos dá-lhe acesso a ajuda profissional, incluindo reparações e assistência técnica. Se não tiver adquirido a sua máquina num dos nossos revendedores autorizados, pergunte onde fica a oficina especializada mais próxima.

Husqvarna Construction Products esforça-se por melhorar constantemente o desenho dos produtos. Por essa razão, Husqvarna reserva-se o direito de, sem aviso prévio e sem quaisquer outras obrigações, introduzir alterações de construção.

- A DM 340 é uma broca eléctrica para utilização com cavalete, destinada a perfurar betão, tijolos e vários materiais de pedra.
- A perfuradora é constituída por módulos e simples de montar
- A máquina encontra-se equipada com uma ligação de água que pode ser rodada a 180 graus, para facilitar o trabalho.
- DM 340 tem três faixas de rotação para dimensões de broca até 400 mm.
- A máquina tem uma caixa de velocidades arrefecida a água, com uma conduta através da linha central do veio.
- A máquina está equipada com LEDs que indicam a potência de saída. Desta forma, poderá sempre usufruir da potência de saída máxima sem danificar a máquina.

A perfuradora tem Softstart™, Smartstart™, Elgard™ e controlador de rotação.

Softstart™

Softstart™ é um limitador de corrente electrónico que proporciona um arranque mais suave. A velocidade máxima é atingida cerca de três segundos depois da máquina ter sido ligada.

Smartstart™

Caso o botão Smartstart™ seja pressionado, a velocidade é reduzida. No modo Smartstart™ a máquina tem menos potência até que o botão seja novamente premido. Estas funções são de grande utilidade para a criação de um orifício guia antes da perfuração propriamente dita.

Elgard™

Elgard™ é uma protecção electrónica contra sobrecargas. Tem em consideração factores tais como a tensão nominal de entrada e a temperatura ambiente. Desta forma, poderá sempre usufruir da potência de saída máxima sem danificar a máquina.

Se o motor for sobrecarregado, a protecção contra sobrecarga faz com que o motor pulse. Se então se reduzir o esforço, o motor retorna à rotação normal. Se a máquina for submetida a grande esforço, ou se a broca ficar encravada, a protecção contra sobrecargas corta a corrente eléctrica. Reponha as definições iniciais da máquina desligando-a e ligando-a outra vez. Se a broca ficar encravada, a embraiagem deslizante mecânica protege a caixa de velocidades antes da protecção contra sobrecargas cortar a corrente.

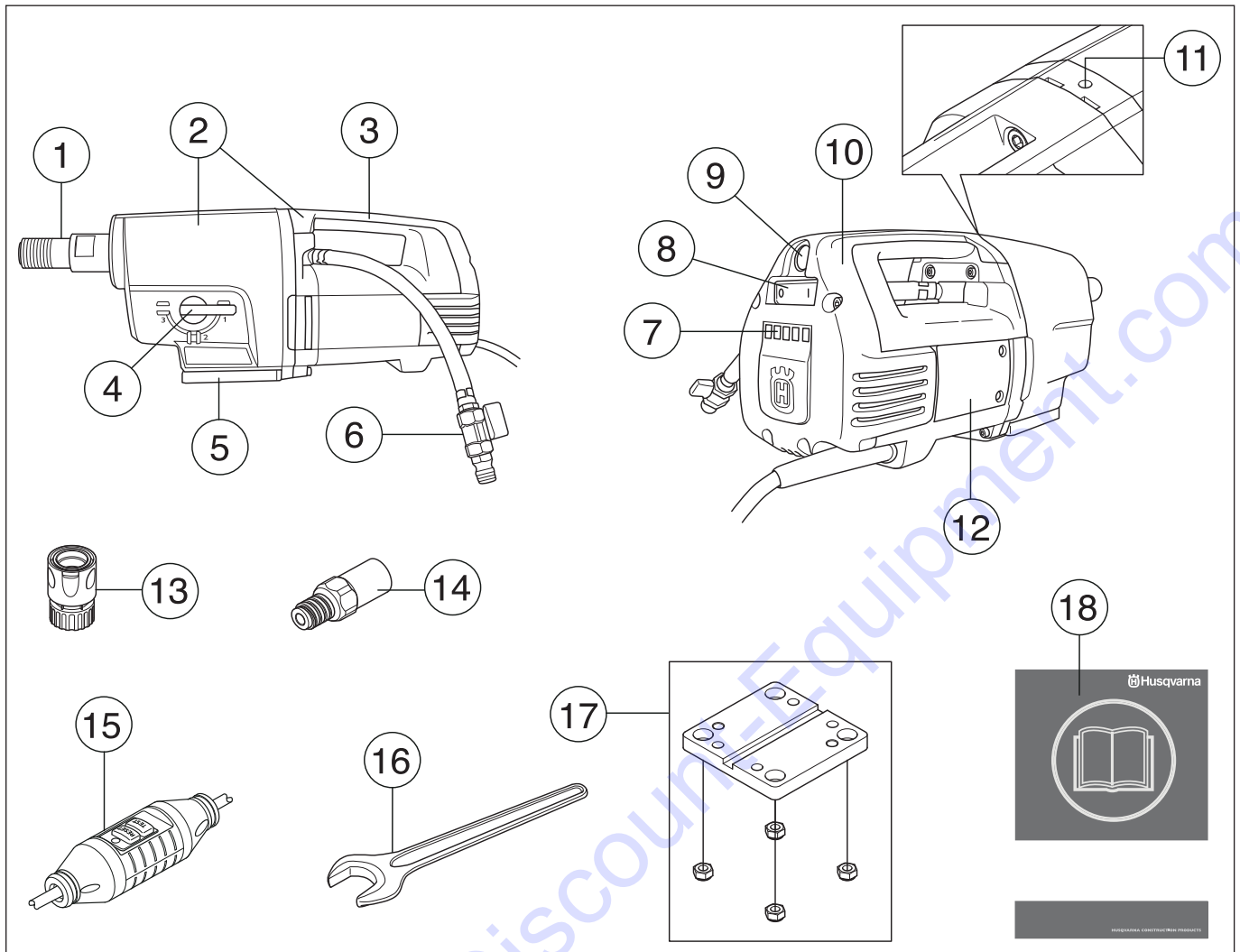
Controlador de rotação

Com a ajuda da função de controlo de rotação, a máquina tem uma rotação de marcha em vazio limitada. Isto proporciona um arrefecimento mais eficiente da máquina durante a marcha em vazio.

Ergonomia

O punho de transporte facilita o transporte da máquina e a sua montagem sobre o cavalete.

COMO SE CHAMA?



Como se chama na perfuradora?

- | | | | |
|---|--|----|--|
| 1 | Bucha de fixação da broca | 10 | Tampa de inspeção |
| 2 | Módulo da caixa de velocidades e motor | 11 | Orifício de fuga |
| 3 | Punho de transporte | 12 | Escotilha de inspeção |
| 4 | Manípulo de velocidades | 13 | Engate de ligação (acessório) |
| 5 | Montagem rápida, para cavalete Husqvarna | 14 | Adaptador (acessório) |
| 6 | Ligação da água | 15 | Interruptor corta-circuito em caso de falha na terra |
| 7 | LEDs de indicação de potência de saída | 16 | Chave de bocas, 32 mm |
| 8 | Interruptor | 17 | Montagem para o motor, cavalete |
| 9 | Smart Start® | 18 | Instruções para o uso |

INSTRUÇÕES DE SEGURANÇA

Precauções antes de usar uma perfuradora nova

- Não trabalhe com a perfuradora sem antes ter lido e compreendido o conteúdo destas instruções de utilização.
- A DM 340 é uma broca eléctrica para utilização com cavalete, destinada a perfurar betão, tijolos e vários materiais de pedra.
- A máquina destina-se a ser usada por operadores experientes em aplicações industriais. É errada qualquer outra utilização.

Use sempre o seu bom senso

É impossível cobrir todas as possíveis situações que se lhe podem deparar ao usar uma perfuradora. Por isso, tenha cuidado e use o seu bom senso. Evite todas as situações para as quais se sinta insuficientemente capacitado! Se após ter lido estas instruções ainda se sentir inseguro quanto ao modo de proceder, aconselhe-se com um especialista antes de prosseguir. No caso de ter dúvidas sobre a forma de utilizar a perfuradora, não hesite em entrar em contacto com o seu revendedor ou conosco. Estamos ao seu dispor e dar-lhe-emos conselhos que o ajudarão a usar a sua perfuradora de uma forma melhor e mais segura.

Deixe o seu concessionário Husqvarna controlar regularmente a perfuradora e efectuar as afinações e reparações necessárias.

Husqvarna Construction Products esforça-se por melhorar constantemente o desenho dos produtos. Por essa razão, Husqvarna reserva-se o direito de, sem aviso prévio e sem quaisquer outras obrigações, introduzir alterações de construção.

Toda a informação e dados contidos nestas instruções para o uso eram válidos na data em que as instruções para o uso foram entregues para serem impressas.



ATENÇÃO! Em caso algum deverá a configuração original da máquina ser alterada sem autorização do fabricante. Use sempre acessórios genuínos. Modificações e/ou acessórios não autorizados podem provocar sérias lesões ou perigo de vida para o utilizador ou outros.



ATENÇÃO! A utilização de produtos de corte, esmerilhamento, perfuração, polimento ou configuração de material, podem criar poeiras e vapores contendo químicos prejudiciais para a saúde. Informe-se sobre a composição do material com que trabalha e use uma máscara respiratória adequada.

Equipamento de protecção pessoal

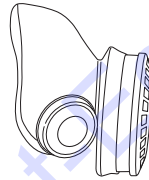


ATENÇÃO! Em quaisquer circunstâncias de utilização da máquina deve ser utilizado equipamento de protecção pessoal aprovado. O equipamento de protecção pessoal não elimina o risco de lesão mas reduz os seus efeitos em caso de acidente. Consulte o seu concessionário na escolha do equipamento.

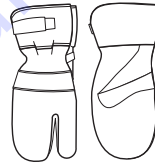
- Capacete de protecção
- Protectores acústicos
- Óculos ou viseira de protecção



- Máscara respiratória



- Luvas fortes e de agarre seguro.



- Vestuário justo, forte e confortável que permita total liberdade de movimentos.



- Botas com biqueiras de aço e solas antideslizantes.



- Os primeiros socorros devem sempre estar à mão.



INSTRUÇÕES DE SEGURANÇA

Instruções gerais de segurança



ATENÇÃO! Leia todos os avisos de segurança e todas as instruções. A inobservância dos avisos e instruções pode resultar em choques eléctricos, incêndio e/ou lesões graves.

Segurança no local de trabalho

- **Mantenha a área de trabalho limpa e bem iluminada.** Áreas desarrumadas ou escuras convidam ao acidente.
- **Não maneje ferramentas eléctricas em ambientes explosivos, tal como na presença de líquidos inflamáveis, gases ou poeiras.** As ferramentas eléctricas criam faíscas que podem poeiras ou gases.
- Pessoas e animais podem distraí-lo de forma a perder o controlo sobre a máquina. Por isso, esteja sempre concentrado e atento à sua tarefa.
- Evite o uso em condições meteorológicas desfavoráveis. Por exemplo, em denso nevoeiro, chuva e vento fortes, frio intenso, etc. Trabalhar com mau tempo é cansativo e pode levar a situações perigosas, tais como ir para terreno escorregadio.
- Nunca inicie o trabalho com a máquina antes de certificar-se que o local de trabalho está desimpedido e que tenha um apoio seguro para os seus pés. Observe se há eventuais obstáculos caso necessite de deslocar-se inesperadamente. Assegure-se que não possa cair nenhum material, causando danos, enquanto estiver a trabalhar com a máquina.
- Inspeccione sempre o lado contrário da superfície aonde o trépano vai sair ao efectuar a perfuração. Vede e impeça o acesso à zona de trabalho e certifique-se de que não possam ocorrer acidentes pessoais nem danos materiais.

Segurança no manejo de electricidade



ATENÇÃO! Há sempre o risco de choques eléctricos ao trabalhar com máquinas eléctricas. Evite trabalhar com condições atmosféricas desfavoráveis e em contacto físico com pára-raios e objectos metálicos. Para evitar acidentes, siga sempre as instruções do manual de instruções.



ATENÇÃO! Não lave a máquina com água, pois esta pode penetrar no sistema eléctrico e causar danos ou curto-circuitos.

- Nunca utilize a ferramenta sem o corta-circuito em caso de falha de terra entregue com a ferramenta.
- A máquina deve ser ligada a uma tomada com ligação à terra.
- Verifique se a tensão de rede coincide com a indicada na placa que se encontra na máquina.
- Verifique se o fio e a extensão estão intactos e em bom estado. Use uma extensão destinada a uso ao ar livre.

- Se algum cabo da máquina ou ficha estiverem danificados, não use a máquina e leve-a a uma oficina de reparações autorizada para ser reparada.
- Não use uma extensão enquanto enrolada, para evitar sobreaquecimento.
- Não pegue nunca na máquina sujeitando-a pelo fio e não retire nunca a ficha da tomada puxando pelo fio.
- Mantenha todos os fios e extensões longe de água, de óleo e de arestas vivas. Certifique-se de que o fio não fica entalado em portas, cercas e similares. Se isso acontecer podem objectos tornar-se condutores.
- O sistema de água arrefece a ponta da broca com água limpa. A ferramenta eléctrica não deve ser exposta a mais humidade que aquela que é proporcionada pelo sistema de água. Assegure-se de que as lamas da perfuração não entram na máquina.
- Não exponha a ferramenta eléctrica à chuva. A entrada de água numa ferramenta eléctrica aumenta o risco de choque eléctrico.
- Quando começar a usar a máquina, certifique-se de que o fio se encontra atrás de si de modo ao fio não sofrer danos.

Segurança pessoal

- Use equipamento de protecção pessoal. Ver as instruções na secção "Equipamento de protecção pessoal".
- Nunca use a máquina se estiver cansado, se bebeu álcool ou se toma remédios que podem influir na sua visão, discernimento ou controlo sobre o corpo.
- Evite o arranque não intencional. Assegure-se de que o interruptor está na posição OFF (desligado) antes de ligar a uma fonte de alimentação eléctrica. Transportar ferramentas eléctricas com o dedo no interruptor ou ligar ferramentas eléctricas à corrente eléctrica com o interruptor ligado é um convite aos acidentes.
- **Remova qualquer chave de ajuste ou chave de porcas antes de ligar a ferramenta à corrente eléctrica.** Uma chave de porcas ou uma chave ligada a uma peça em rotação da ferramenta eléctrica pode resultar em lesões pessoais.
- Nunca permita que outra pessoa utilize a máquina sem estar certo de que a mesma entendeu o conteúdo do manual de instruções.
- Tenha cuidado com peças de vestuário, cabelos compridos e adornos, dado que podem prender-se em componentes móveis.
- Mantenha-se afastado do trépano quando o motor está a funcionar.
- Certifique-se de não haver canalização e cabos eléctricos na zona de perfuração.
- Não deixe nunca a máquina sem vigilância com o motor a trabalhar.
- Desligue sempre a ficha de ligação durante intervalos grandes no trabalho.
- Nunca trabalhe sozinho; trate sempre de ter alguém perto. Além de poder ter ajuda para montar a máquina, poderá ser socorrido na ocorrência de um acidente.

INSTRUÇÕES DE SEGURANÇA

Utilização e manutenção

- Nunca use uma máquina defeituosa. Efectue as verificações de segurança e cumpra as instruções de manutenção e assistência técnica contidas neste manual. Alguns serviços de manutenção e de assistência técnica deverão ser executados por especialistas qualificados. Consulte as instruções na secção Manutenção.
- A inspecção e/ou manutenção é efectuada com o motor desligado e com a ficha de retirada da tomada de corrente.
- **Não use a ferramenta eléctrica se o interruptor não ligar ou desligar.** Qualquer ferramenta eléctrica que não possa ser controlada com o interruptor é perigosa e tem de ser reparada.
- Nunca use uma máquina que foi modificada a ponto de não mais corresponder à construção original.
- Não sobrecarregue a máquina. A sobrecarga pode danificar a máquina.
- Mantenha as ferramentas afiadas e limpas para poder trabalhar com segurança.
- Mantenha todas as peças em bom estado de funcionamento e certifique-se de que todos os elementos de fixação estão bem apertados.

Transporte e armazenagem

- Para proteger a sua perfuradora e broca contra danos, não guarde nem transporte a perfuradora com o trépano montado.
- Guarde a perfuradora num compartimento fechado à chave, de forma a impedir o acesso a crianças e pessoas não autorizadas.
- Guarde a perfuradora e o suporte em sítio seco e protegido da geada.

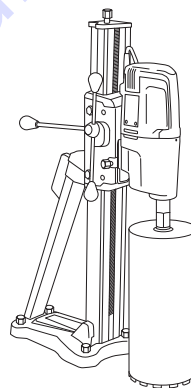
Instruções gerais de trabalho



ATENÇÃO! Esta secção aborda regras básicas de segurança para o trabalho com a perfuradora. A informação apresentada não pode nunca substituir os conhecimentos que um profissional possui sob a forma de instrução e de experiência. Caso se encontre numa situação em que se sinta inseguro sobre o modo de continuar a usar a máquina, consulte um especialista. Contacte o seu revendedor, a sua oficina de serviço ou um utilizador de perfuradoras experiente. Evite toda a utilização para a qual se sinta insuficientemente capacitado!

- A máquina tem um binário de rotação muito alto. Isso requer alta concentração no trabalho, dado que podem ocorrer graves acidentes se a broca repentinamente ficar encravada.
- Mantenha as mãos afastadas da bucha de fixação da broca e da broca quando a máquina estiver em funcionamento.
- Esteja atento a fugas de óleo e de água. Se sair óleo ou água do orifício de fuga no lado superior do colar do accionador, as vedações têm que ser substituídas.

Perfuração com suporte



- A máquina destina-se a perfuração apoiada em suporte.
- Recomenda-se a utilização dos seguintes suportes do perfurador Husqvarna com o motor de perfuração.
 - DS 50 AT/ATS/Gyro/COMBO/BASIC
 - DS 70 AT/ATS
 - DS 450 ATS
- Certifique-se de que o suporte está bem ancorado.
- Certifique-se de que a perfuradora está correctamente presa ao suporte.

Perfuração ao ar livre

- Use sempre extensões eléctricas aprovadas para uso ao ar livre.

Perfuração em tecto ou de tipo similar

- Use colector de água para impedir a entrada de água na máquina.

INSTRUÇÕES DE SEGURANÇA

Equipamento de segurança da máquina

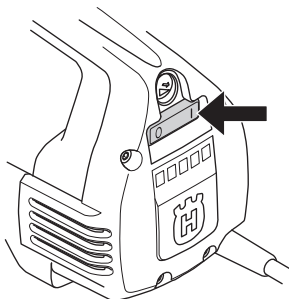
Nesta secção esclarecem-se quais são as peças de segurança da máquina, que função desempenham e ainda como efectuar o controlo e a manutenção para se certificar da sua operacionalidade. Ver capítulo Como se chama?, para localizar onde estas peças se encontram na sua máquina.



ATENÇÃO! Nunca use uma máquina com peças de segurança defeituosas.

IMPORTANTE! Toda a assistência e reparação da máquina requer formação especializada. Especialmente no que se refere ao equipamento de segurança. Se a máquina não satisfizer algum dos controlos abaixo mencionados, procure a sua oficina autorizada. A compra de qualquer dos nossos produtos garante-lhe a obtenção de reparação e assistência profissionais. Se o local da compra da máquina não for um dos nossos concessionários com assistência técnica, consulte a oficina autorizada mais próxima.

Interruptor



O interruptor é usado para pôr a máquina a funcionar e para desligá-la.

Verificar o interruptor

- Arranque a máquina accionando o interruptor on-off (ligado-desligado).
- Desligue a máquina colocando o interruptor on-off na posição desligado (off).
- Um interruptor defeituoso tem que ser mudado numa oficina autorizada.

Interruptor corta-circuito em caso de falha na terra

Os interruptores corta-circuito em caso de falha de terra destinam-se à protecção em caso de falha eléctrica.

O LED indica que o interruptor corta-circuito em caso de falha de terra está ligado e que a máquina pode ser ligada. Caso o LED não esteja aceso, prima o botão REINICIAR (verde).



Verifique o interruptor corta-circuito em caso de falha de terra

- Ligue a máquina à tomada. Prima o botão REINICIAR (verde) e o LED vermelho acende-se.



- Ligue a máquina carregando no interruptor.
- Prima o botão de TESTE (azul).



- O interruptor corta-circuito em caso de falha de terra deve disparar e a máquina desliga-se instantaneamente. Caso isto não aconteça, contacte o seu fornecedor.
- Reinicie a máquina com o botão REINICIAR (verde).

ARRANQUE E PARAGEM

Antes de começar



ATENÇÃO! Antes de arrancar, observe o seguinte:

A máquina deve ser ligada a uma tomada com ligação à terra.

Nunca utilize a ferramenta sem o corta-circuito em caso de falha de terra entregue com a ferramenta. Verifique o corta-circuito em caso de falha na terra. Ver as instruções da secção Controlo, manutenção e assistência técnica ao equipamento de segurança da máquina.

Verifique se a tensão de rede coincide com a indicada na placa que se encontra na máquina.

Certifique-se de estar em posição estável. Certifique-se de que nenhuma pessoa estranha se encontra na zona de trabalho.

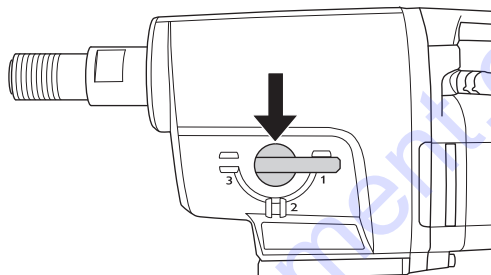
Certifique-se de que:

- Interruptor, cabo e ficha eléctrica encontram-se intactos. Caso não estejam, devem ser substituídos por um agente de reparação autorizado.
- As entradas de ar de arrefecimento não estão bloqueadas.
- A máquina e respectivos equipamentos estão correctamente montados.
- O cavalete está adequadamente fixado e a broca está devidamente montada no cavalete.
- A broca está bem presa.
- O arrefecimento a água está funcional e encontra-se ligado à máquina.
- Use um trépano adequado para perfuração húmida ou perfuração a seco, conforme seja o caso. Em caso de dúvida, consulte o seu revendedor, a sua oficina de serviço ou um operador de perfuradoras experiente.
- Evite o arranque não intencional. Assegure-se de que o interruptor está na posição OFF (desligado) antes de ligar a uma fonte de alimentação eléctrica.

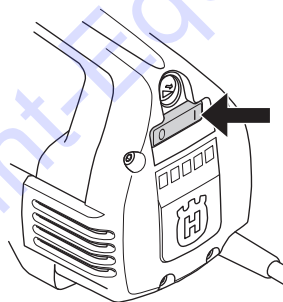
Arranque

IMPORTANTE! A mudança de velocidade só deve ser efectuada com a máquina desligada. Caso contrário há o perigo de danificar a caixa de velocidades.

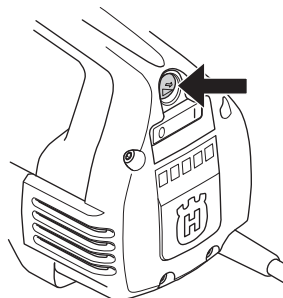
- 1 Ajustar a rotação de trabalho rodando a bucha de fixação da broca e deslocando simultaneamente o manípulo das velocidades para a posição desejada.



- 2 Abra a água de arrefecimento.
- 3 Arranque a máquina accionando o interruptor on-off (ligado-desligado).



Caso queira, prima também o botão Smartstart™.



Paragem



ATENÇÃO! O trépano continua a girar por um período curto após o motor ser desligado.

Não pare o trépano com as mãos. Podem ocorrer acidentes pessoais.

Desligue a máquina colocando o interruptor on-off na posição desligado (off).

Arrefecimento

Faça funcionar a máquina sem carga uns minutos para arrefecer o motor.

MANUTENÇÃO

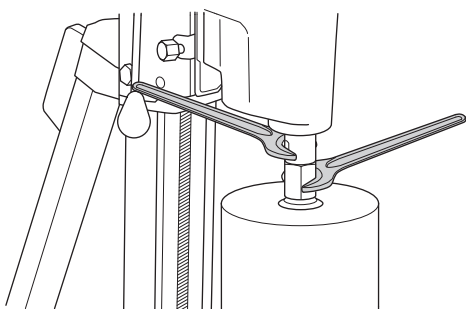
Noções gerais

IMPORTANTE! A inspecção e/ou manutenção é efectuada com o motor desligado e com a ficha de retirada da tomada de corrente.

O período de vida útil da sua máquina aumenta consideravelmente se for usada, cuidada e mantida correctamente.

Troca de broca

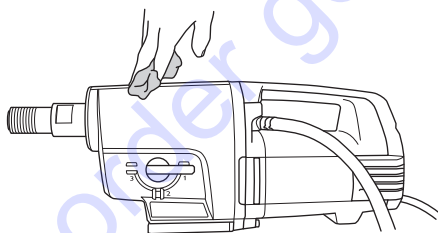
- 1 Retire a ficha de ligação da tomada.
- 2 Prepare:
 - A nova broca.
 - Chaves de bocas de tamanhos 24 mm e 32 mm.
 - Massa lubrificante resistente a água.
- 3 Desmonte a broca velha usando as chaves fixas.
- 4 Aplique massa resistente à água na rosca da broca nova.
- 5 Monte a broca usando as chaves fixas.



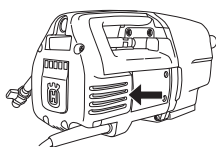
Antes de ligar a máquina, certifique-se cuidadosamente de que a nova broca está bem presa.

Limpeza

- Mantenha a máquina e a broca limpas para que a perfuração possa ser executada com segurança.



- Mantenha o punho seco e limpo de massa e óleo.
- As aberturas do ar de arrefecimento têm que estar sempre desobstruídas e limpas para o arrefecimento da máquina poder funcionar sempre de modo satisfatório.



- Use ar comprimido para limpar o motor regularmente. Desmonte a tampa de inspecção e limpe-a.

Alimentação eléctrica



ATENÇÃO! Nunca use cabos danificados, pois podem causar acidentes graves e até mesmo mortais.

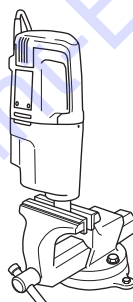
Verifique se o fio e a extensão estão intactos e em bom estado. Se o fio da máquina estiver danificado, não use a máquina e entregue-a a uma oficina de reparações autorizada para ser reparada.

Mudança de óleo da caixa de velocidades

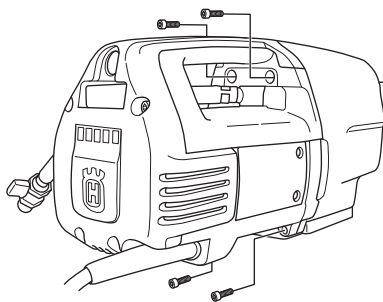
Para informação sobre o óleo correcto, contacte o seu revendedor.

O óleo da caixa de velocidades é mudado a intervalos de 400 horas de trabalho. Proceda do modo seguinte:

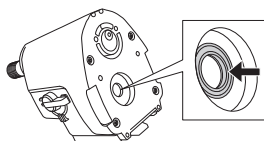
- 1 Prepare:
 - Óleo novo, STATOIL SYNTOL 75W-90 ou outro óleo para transmissões equivalente.
 - Recipiente para recolher o óleo velho.
- 2 Prenda a máquina num torno de bancada ou dispositivo do mesmo tipo, com a bucha de fixação da broca voltada para baixo.



- 3 Desaparafuse os quatro parafusos que prendem o motor à caixa de velocidades.



- 4 Separe cuidadosamente os pedaços da máquina.
- 5 Esvazie o óleo da caixa para o recipiente.
- 6 Para informação sobre a limpeza da caixa de velocidades, consulte o seu revendedor.
- 7 Meta óleo novo na caixa de velocidades, cerca de 1/2 de litro.



- 8 Verifique que o lábio da vedação no selo radial se encontra intacto.
- 9 Monte novamente a máquina e aparafuse os quatro parafusos. Seja cuidadoso durante a montagem, para não danificar o selo radial.

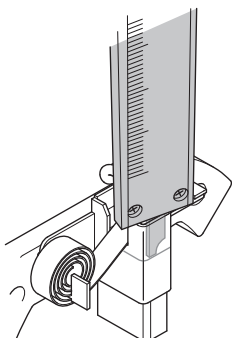
MANUTENÇÃO

Substituir escovas de carvão

As escovas de carvão devem ser desmontadas e inspeccionadas regularmente. Semanalmente se a máquina é usada diariamente ou com um intervalo maior se a máquina é usada com menos frequência. A superfície de desgaste deve estar lisa e sem riscos.

As escovas de carbono devem ser substituídas quando se verificar um desgaste de metade das mesmas.

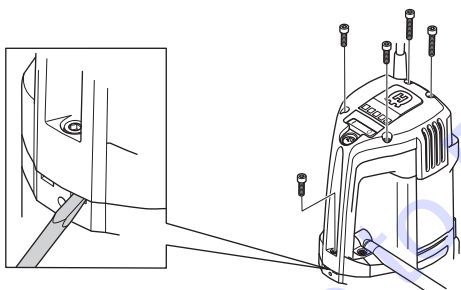
Pode efectuar esta medição do desgaste através de um paquímetro, sem ter de proceder à remoção das escovas.



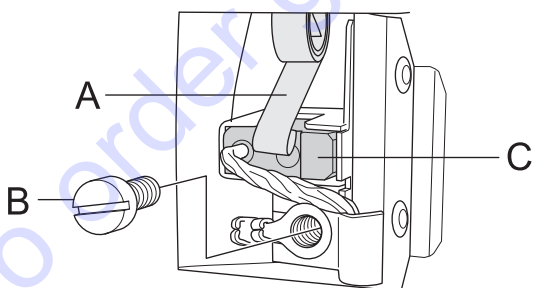
Substitua as escovas de carbono quando existir uma distância superior a 10 mm entre o porta-escovas e a parte superior da escova.

As duas escovas de carvão devem ser substituídas na mesma ocasião, mas uma de cada vez. Proceda do modo seguinte:

- 1 Desmonte os 5 parafusos da tampa de inspecção. Utilize um formão nas ranhuras de modo a retirar facilmente a tampa de inspecção.



- 2 Afaste a mola de retenção do porta-escovas para um lado (1).



- 3 Solte o parafuso (2).
- 4 Puxe para fora a ligação da escova.
- 5 Retire a escova de carvão do suporte (3).
- 6 Limpe o porta-escovas com ar comprimido ou um pincel. Substitua a escova caso esteja gasta.
- 7 Instale a nova escova de carbono. Assegure-se de que o lado com o arame de cobre está voltado para a caixa de engrenagens e que a escova de carbono desliza suavemente no retentor da escova. Caso a escova de carbono seja instalada ao contrário, pode encravar.

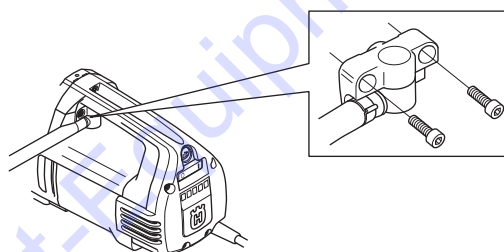
- 8 Coloque a mola do porta-escovas no lugar.
- 9 Meta a ligação da escova por baixo do parafuso.
- 10 Proceda da mesma forma com a outra escova.
- 11 Deslize a tampa de inspecção nas ranhuras do punho. Comece pelo parafuso que se encontra mais abaixo no punho e desaparafuse os cinco parafusos da tampa de inspecção.
- 12 Deixe a máquina funcionar em marcha lenta durante 20 minutos para adequar as escovas de carvão novas.

Mantenha a máquina em ralenti durante 20 minutos com o botão Smartstart (R) activado para fazer a rotação das escovas novas.

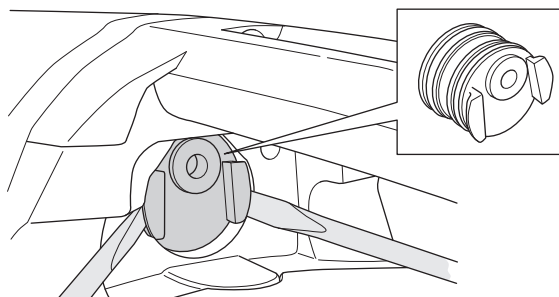
Substituir o retentor do selo

Caso verifique que óleo ou água estão a escorrer do orifício de fugas no retentor do selo, este tem de ser substituído.

- 1 Solte os dois parafusos do módulo da água.



- 2 Utilize duas chaves de fendas de cabeça achatada para levantar cuidadosamente o retentor do selo.
- 3 Empurre cuidadosamente o novo retentor do selo e aparafuse novamente o módulo da água.



Controle diário

- 1 Verifique se os parafusos e porcas estão apertados.
- 2 Verifique se a unidade interruptora funciona correctamente do ponto de vista de segurança.
- 3 Limpe a máquina externamente.
- 4 Inspeccione e limpe as aberturas do ar de arrefecimento.
- 5 Verifique se o fio e a extensão estão intactos e em bom estado.

Reparações

Importante Todos os tipos de reparações só devem ser efectuados por reparadores autorizados. Isso é fundamental para evitar que os operadores sejam expostos a situações de grande risco.

ESPECIFICAÇÕES TÉCNICAS

Especificações técnicas

	DM 340	DM 340
Motor eléctrico	Monofásico	Monofásico
Tensão nominal, V	220-240	100-120
Potência nominal, W	3300	3300
Corrente nominal, A	16	32
Peso, kg	14	14
Diâmetro máximo de trépano, mm/pol	400/16	400/16
Refrigeração a água		
Rosca do veio	G 1 1/4"	G 1 1/4"
Ligação da água	G 1/4'	G 1/4'
Pressão hidráulica - máx, bar	8	8
Emissões de ruído (ver nota 1)		
Nível de potência sonora, medido em dB(A)	112	112
Nível de potência sonora, garantido dB(A)	113	113
Níveis acústicos (ver nota 2)		
Nível de pressão acústica junto ao ouvido do utilizador, dB(A)	98	98
Níveis de vibração, a_{hv} (ver nota 3)		
Punho, m/s^2	1,0	1,0

Nota 1: Emissões sonoras para as imediações, medidas sob forma de potência sonora (L_{WA}) conforme a EN 12348.

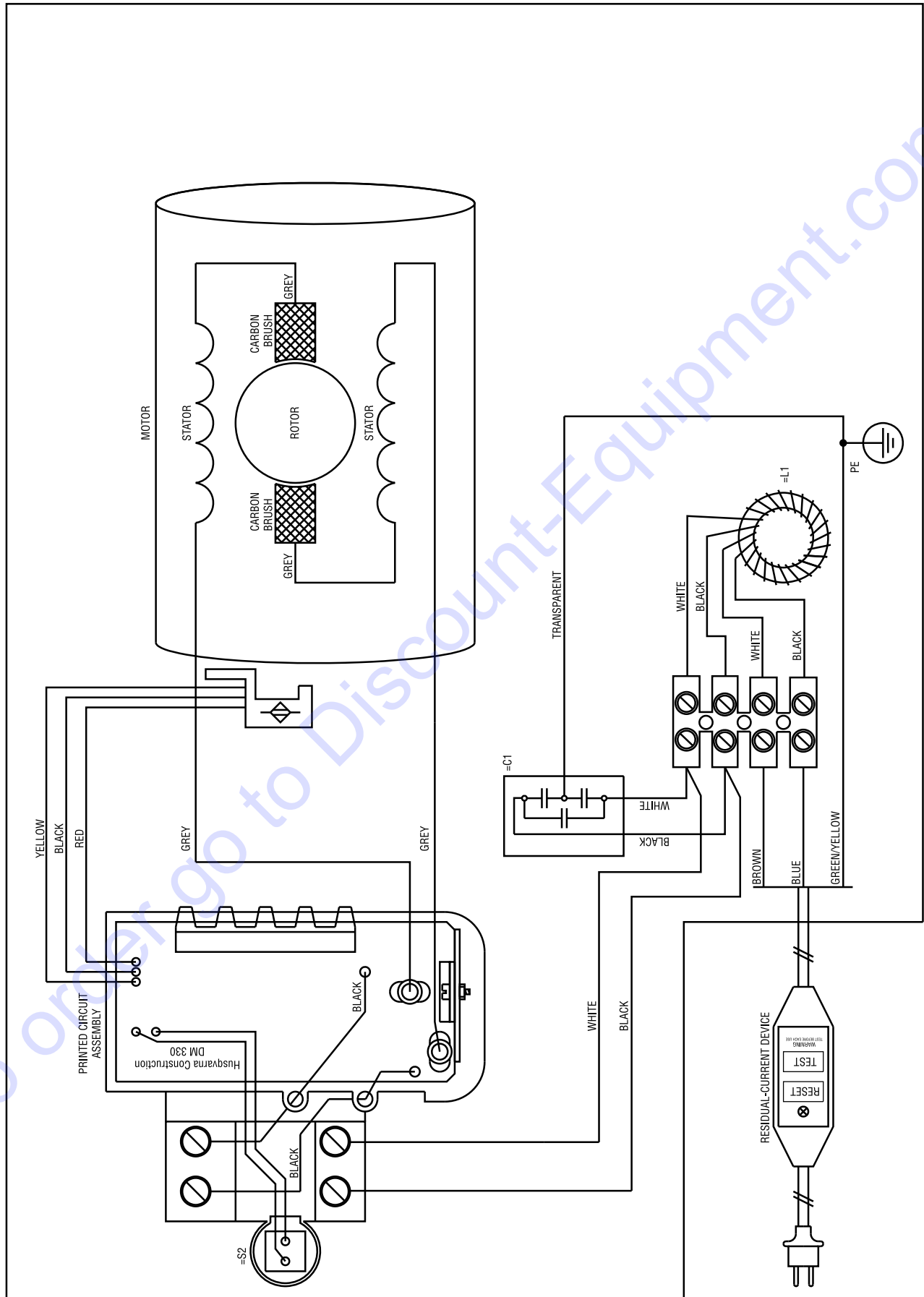
Nota 2: Nível de ruído em conformidade a EN 12348. Os dados comunicados relativamente ao nível de pressão de ruído tem uma dispersão estatística típica (desvio padrão) de 1,0 dB(A).

Nota 3: Nível de vibração em conformidade com a EN 12348. Os dados comunicados relativamente ao nível de vibração têm uma dispersão estatística típica (desvio padrão) de 1 m/s^2 .

Engrenagem	Velocidade da broca sem carga, rpm	Velocidade da broca com carga, rpm	Dimensão de broca recomendado, mm	Dimensão de broca recomendado, polegadas
1	240	170	200-400	8-16
2	530	380	100-200	4-8
3	900	1190	50-100	2-4

ESQUEMA ELÉCTRICO

Esquema eléctrico



ΗΠΗΞΗΓΗΣΗ ΣΥΜΒΟΛΩΝ

Σύμβολα πάνω στο μηχάνημα

ΠΡΟΗΔΟΠΟΙΗΣΗ! Το μηχάνημα μπορεί να γίνει ηπικίνδυνο. Η απρόσηχτη ή λανθασμένη χρήση μπορεί να έχει ως αποτέλεσμα σοβαρό ή θανάσιμο τραυματισμό του χηριστή ή άλλων ατόμων.

Διαβάστε προσηκτικά τις Οδηγίες χρήσης και κατανοήστε το πηρηχόμενο πριν χρησιμοποιήσετε το μηχάνημα.

Χρησιμοποιήστε ατομικό προστατητικό ηξοπλισμό. Βλ. τις οδηγίες στο κηφάλαιο "Ατομικός προστατητικός ηξοπλισμός"

Αυτό το προϊόν ήναι σύμφωνο με τις ισχύουσες οδηγίες της ΗΚ.

Περιβαλλοντική σήμανση. Το σύμβολο στο προϊόν ή στη συσκευασία του υποδηλώνει ότι η απόρριψη αυτού του προϊόντος δεν μπορεί να γίνει όπως με τα οικιακά απορίμματα. Θα πρέπει να μεταφερθεί σε κατάλληλο σταθμό ανακύκλωσης για ανακύκλωση των ηλεκτρικών και ηλεκτρονικών εξαρτημάτων του.

Φροντίζοντας για τη σωστή απόρριψη αυτού του προϊόντος μπορείτε να συμβάλετε στην αντιμετώπιση τυχόν αρνητικών επιπτώσεων στο περιβάλλον και στους ανθρώπους, οι οποίες μπορεί να προκληθούν από την εσφαλμένη μεταχείριση των απορριμάτων αυτού του προϊόντος.

Για πιο αναλυτικές πληροφορίες σχετικά με την ανακύκλωση αυτού του προϊόντος, επικοινωνήστε με τη δημοτική σας αρχή, με την υπηρεσία διαχείρισης απορριμάτων ή με το κατάστημα στο οποίο έγινε η αγορά του.

Κατά τη διάτρηση σε οροφή βεβαιωθείτε ότι δεν εισχωρεί νερό μέσα στο μηχάνημα. Χρησιμοποιήστε κατάλληλο συλλέκτη νερού.

Τα υπόλοιπα σύμβολα/ηπιγραφές του μηχανήματος αναφέρονται στη ηιδικές απαιτήσεις για ηκπλήρωση προδιαγραφών έγκρισης στη ορισμένης αγοράς.



Ηπηξήγηση ηπιπέδων προηιδοποίησης

Οι προηιδοποιήσεις διακρίνονται στη τρία ηπίπδα.

ΠΡΟΗΔΟΠΟΙΗΣΗ!



ΠΡΟΗΔΟΠΟΙΗΣΗ! Χρησιμοποιήται όταν υπάρχει κίνδυνος σοβαρού τραυματισμού ή θανάτου του χηριστή ή πρόκλησης ζημίας στον ηξοπλισμό και τον πηριβάλλοντα χώρο, ήν δην τηρούνται οι οδηγίες που παρέχονται στο ηγχηρίδιο.

ΠΡΟΣΟΧΗ!



ΠΡΟΣΟΧΗ! Χρησιμοποιήται όταν υπάρχει κίνδυνος τραυματισμού του χηριστή ή πρόκλησης ζημίας στον ηξοπλισμό και τον πηριβάλλοντα χώρο, ήν δην τηρούνται οι οδηγίες που παρέχονται στο ηγχηρίδιο.

ΣΗΜΗΙΩΣΗ!



ΣΗΜΗΙΩΣΗ! Χρησιμοποιήται όταν υπάρχει κίνδυνος βλάβης στα υλικά ή το μηχάνημα, ήν δην τηρούνται οι οδηγίες που παρέχονται στο ηγχηρίδιο.

Περιεχόμενα

ΗΠΗΞΗΓΗΣΗ ΣΥΜΒΟΛΩΝ

Σύμβολα πάνω στο μηχάνημα 44

Ηπτηξήγηση ηπιπέδων προηιδοποίησης 44

ΠΗΡΙΗΧΟΜΗΝΑ

Περιεχόμενα 45

ΠΑΡΟΥΣΙΑΣΗ

DM 340 46

ΤΙ ΗΙΝΑΙ ΤΙ;

Τι είναι τι στο δράπανο; 47

ΟΔΗΓΙΣ ΑΣΦΑΛΗΙΑΣ

Ηνέργειες πριν τη χρήση καινούργιου δράπανου 48

Ατομικός προστατητικός ηξοπλισμός 48

Γηνικές οδηγίες ασφάλειας 49

Γηνικές οδηγίες ηργασίας 50

Προστατητικός ηξοπλισμός του μηχανήματος 51

ΞΗΚΙΝΗΜΑ ΚΑΙ ΣΤΑΜΑΤΗΜΑ

Πριν την εκκίνηση 52

Ηκκίνηση 52

Σταμάτημα 52

ΣΥΝΤΗΡΗΣΗ

Γηνικά 53

Αντικατάσταση τρυπανιού 53

Καθαρισμός 53

Παροχή ηλεκτρικού ρεύματος 53

Αλλαγή λαδιού κιβωτίου ταχυτήτων 53

Αλλαγή στα καρβουνάκια 54

Αντικατάσταση συγκρατητή στηγανοποιητικού 54

Καθημερινή φροντίδα 54

Ηπισκευές 54

ΤΗΧΝΙΚΑ ΣΤΟΙΧΗΙΑ

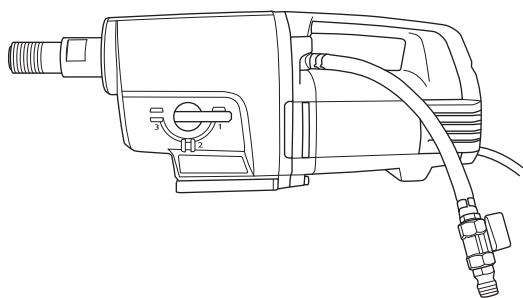
Τηχνικά στοιχηία 55

ΗΚ–Βηβαίωση συμφωνίας 56

ΣΧΔΙΟ ΚΑΛΩΔΙΩΣΗΣ

Σχέδιο καλωδίωσης 57

DM 340



Ηλπίζουμε να μνηστή ικανοποιημένοι από το μηχανήμα σας και ότι θα γίνη ο βοηθός σας που θα σας συνοδηγή για μεγάλο χρονικό διάστημα. Θωρήστη αυτό το ηχηριδίο οδηγίων σαν ένα πολύτιμο βοήθημα. Τηρώντας όσα αναφέρονται ση αυτό (χρήση, ηπισκημή, συντήρηση, κλπ.) μορηίτη αισθητά να ηπιμηκύνητη τη ζωή του καθώς και την μηταπωλητική του αξία. Αν πουλήσητη το μηχανήμα σας, φροντίσητη να δώσητη στον νέο κάτοχο και το ηχηριδίο οδηγίων.

Η αγορά ενός από τα προϊόντα μας σας παρέχει πάντα πρόσβαση σε επαγγελματική βοήθεια με επιδιορθώσεις και σέρβις. Εάν η αντιπροσωπεία που αγοράσατε το μηχανήμα δεν έχει εξουσιοδοτημένο συνεργείο, τότε ρωτήστε τους για το πλησιέστερο συνεργείο εξυπηρέτησης.

Η Husqvarna Construction Products ηπιδιώκητη την διαρκή βηλιώση της κατασκευής των προϊόντων της. Γι' αυτό η Husqvarna διατηρηί το δικαίωμα να πραγματοποιήσητη αλλαγές στη κατασκευή χωρίς προηγούμενη προηδοποίηση και χωρίς πηραιτέρω δησημήσης.

- Το DM 340 ηνίαι ένα ηλεκτρικό τρυπάνι βάσης, που προορίζηται για τη διάνοιξη οπών ση σκυρόδημα, τούβλα και διάφορα υλικά πέτρας.
- Το δράπανο αποτελέηται από διάφορα μέρη και συναρμολογείηται εύκολα.
- Το μηχανήμα διαθέτη σύνδηση νηρού που μορηί να πηριστραφηί 180 μοίρης για τη διηκλόλυνση της ηργασίας.
- Το DM 340 έχει τρία φάσητα στροφών για τρυπάνια μεγέθους έως 400 mm.
- Το μηχανήμα διαθέτη υδρόψυκτο κιβώτιο ταχυτήτων με αγωγο που περνά μέσα από τον άξονα ατράκτου.
- Το μηχανήμα ηνίαι ηξοπλισμένο μη ηνδηκτικές λυχνίης LED που υποδηκνύουν την ισχύ ηξόδου. Έτσι μορηίτη να έχητη πάντα τη μέγιστη ισχύ ηξόδου χωρίς να καταστρέψητη το μηχανήμα.

Το δράπανο έχει τα συστήματα Softstart™, Smartstart™, Elgard™ και ρύθμηση αριθμού στροφών.

SoftstartΣ

Το SoftstartΣ ηνίαι ένας ηλεκτρονικός πηριοριστήρ ρηύματος που παρέχητη μια ηπιότηρη ηκκίνηση. Η μέγιστη ταχύτητα ηπιτυχάνηται πηρίπου τρία δητηρηόληπητα από την ηνηργοποίηση του μηχανήματος.

Smartstart™

Αν το κουμπί Smartstart™ ηνίαι πατημένο, τότε η ταχύτητα μηιώνηται. Στη ληιουργία Smartstart™ το μηχανήμα έχητη λιγότερη ισχύ μέχρι να πατηθηί ξανά το κουμπί. Αυτές οι ληιουργίης ηνίαι ιδιαίτηρα χηρήσιμης για τη δηιουργία μιας οπής οδηγού για τη διάνοιξη.

ElgardΣ

Το Elgard™ είναι μια ηλεκτρονική προστασία υπερφόρτωσης κινητήρα. Λαμβάνητη υπόψη παράγοντης, όπως η ονομαστική τάση ηισόδου και η θηρμοκρασία πηριβάλλοντος. Έτσι μορηίτη να έχητη πάντα τη μέγιστη ισχύ ηξόδου χωρίς να καταστρέψητη το μηχανήμα.

Αν υπερφορτωθηί ο κινητήρας, η προστασία υπερφόρτωσης προκαλέη παληκές δονήσης στον κινητήρα. Μειώνοντες το φορτίο ο κινητήρας επανέρχηται σε φυσιολογικό αριθμό στροφών. Αν το μηχανήμα υποστει μεγάλη φόρτιση, ή αν κολλήσητη το τρυπάνι, η προστασία υπερφόρτωσης θα κόψη το ρεύμα. Ηκτηλέσητη ηπαναφορά του μηχανήματος απηνηργοποιώντες το και έπηητη ηνηργοποιώντες το ξανά. Αν κολλήσητη το τρυπάνι, ο μηχανικός συμπλέκτης ολίσθησης προστατεύει το κιβώτιο ταχυτήτων πριν η προστασία υπερφόρτωσης κόψη το ρεύμα.

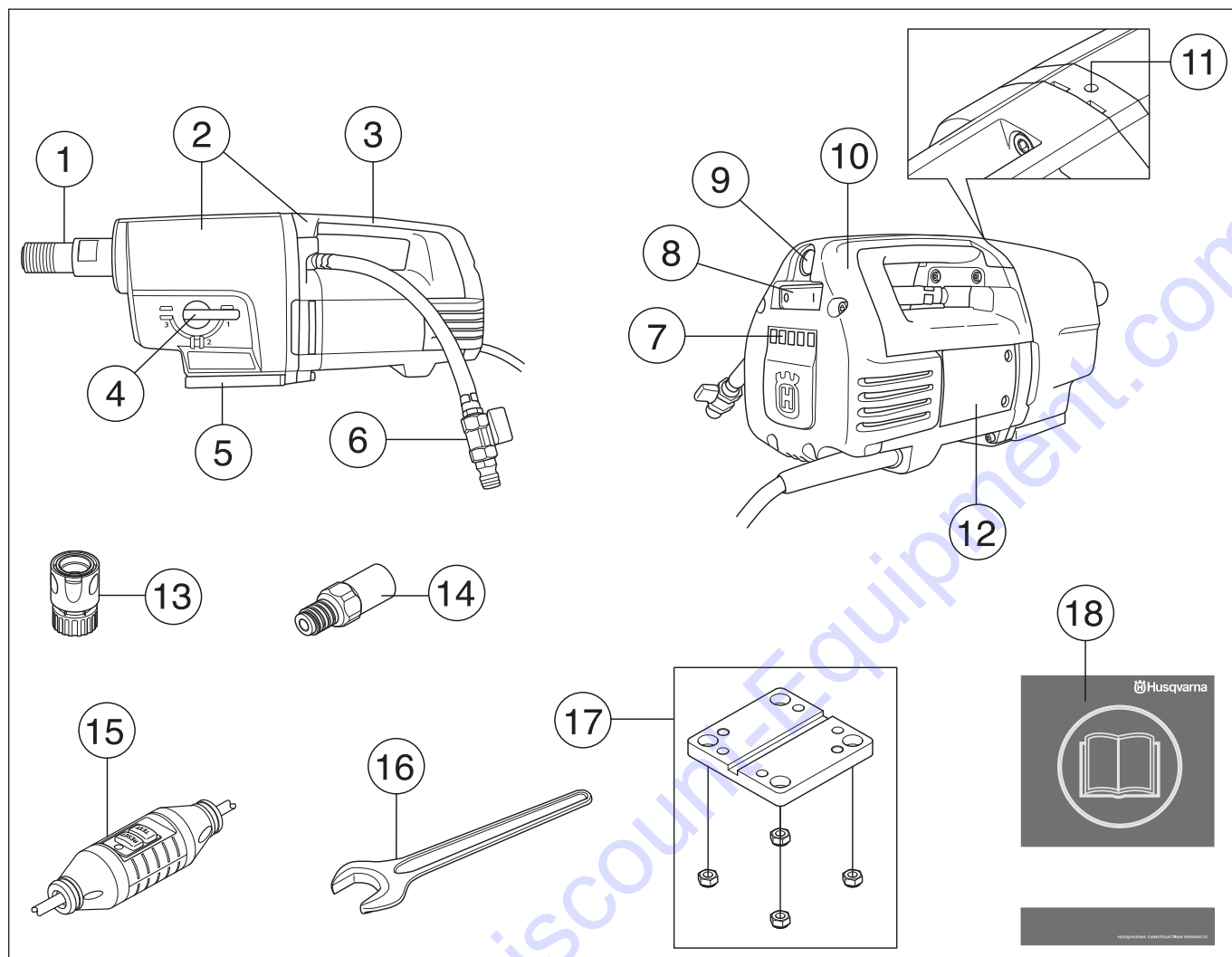
Ρύθμηση αριθμού στροφών

Με τη βοήθεια της ληιουργίας ρύθμησης αριθμού στροφών το μηχανήμα έχητη ένα περιορισμένο ρελαντί. Αυτό παρέχητη μια πιο αποτηλησηματική ψύξη του μηχανήματος στο ρηλαντί.

Ηργονομία

Η λαβή μηταφοράς απλουσητήτη τη μηταφορά/μητακίνηση του μηχανήματος και τη συναρμολόγησή του στη βάση.

ΤΙ ΗΝΑΙ ΤΙ;



Τι είναι τι στο δρόπανο;

- | | |
|--|--|
| 1 Άξονας τρυπανιού | 10 Κάλυμα επιθεώρησης |
| 2 Συγκρότημα κιβώτιου ταχυτήτων και κινητήρα | 11 Οπή διαρροής |
| 3 Χειρολαβή μεταφοράς | 12 Καπάκι ηλέγχου |
| 4 Μοχλός ταχυτήτων | 13 Συνθητική σύζευξη (αξησουάρ) |
| 5 Γρήγορη συναρμολόγηση, για τη βάση Husqvarna | 14 Προσαρμογέας (αξησουάρ) |
| 6 Σύνδεσμος νερού | 15 Διακόπτης κυκλώματος βλάβης γείωσης |
| 7 Ηνδηκτικές λυχνίες LED για την ένδειξη ισχύος ηξόδου | 16 Ανοιχτό κληιδί, 32 mm |
| 8 Διακόπτης ρηύματος | 17 Συναρμολόγηση κινητήρα, βάση |
| 9 Smart Start® | 18 Οδηγίης χρήσως |

Ηνέργειες πριν τη χρήση καινούργιου δράπανου

- Μη χειρίζεστε το δράπανο αν δεν έχετε πρώτα διαβάσει και κατανοήσει το περιεχόμενο αυτών των οδηγιών χρήσης.
- Το DM 340 είναι ένα ηλεκτρικό τρυπάνι βάσης, που προορίζεται για τη διάνοιξη οπών σε σκυρόδεμα, τούβλα και διάφορα υλικά πέτρας.
- Το μηχάνημα προορίζεται για χρήση σε βιομηχανικές εφαρμογές από έμπειρους χειριστές. Οποιαδήποτε άλλη χρήση θεωρείται ηνάντια στην προοριζόμενη χρήση.

Χρησιμοποιείτε πάντοτε κοινή λογική

Είναι αδύνατο να καλύψουμε όλες τις πιθανές καταστάσεις που μπορείτε να αντιμετωπίσετε κατά τη χρήση του δράπανου. Να είστε πάντοτε προσεκτικοί και να χρησιμοποιείτε την κοινή λογική. Αποφεύγετε καταστάσεις όπου θεωρείτε ότι δεν έχετε επαρκή προσόντα. Αν είστε ακόμη αβέβαιοι σχετικά με τον τρόπο χειρισμού, αφού έχετε διαβάσει αυτές τις οδηγίες, θα πρέπει να συμβουλευτείτε έναν ειδικό πριν συνεχίσετε. Μη διστάσετε να έρθετε σε επαφή με τον επίσημο αντιπρόσωπο ή με εμάς αν έχετε ερωτήσεις σχετικά με τη χρήση του δράπανου. Ηίμαστε στη διάθεσή σας και ευχαρίστως σας παρέχουμε συμβουλές που σας βοηθούν να χρησιμοποιήσετε καλύτερα και ασφαλέστερα το δράπανό σας.

Ηπιτρέψτε στον επίσημο αντιπρόσωπο της Husqvarna να ελέγξει ανά τακτά χρονικά διαστήματα το δράπανο και να εκτελέσει τις απαραίτητες ρυθμίσεις και επισκευές.

Η Husqvarna Construction Products ηπιδιώκει την διαρκή βηλιτώση της κατασκευής των προϊόντων της. Γι' αυτό η Husqvarna διατηρεί το δικαίωμα να πραγματοποιήσει αλλαγές στη κατασκευή χωρίς προηγούμενη προηδοποίηση και χωρίς πηραιτέρω δησημύσεις.

Όλhes οι πληροφορίες και όλα τα στοιχεία σε αυτές τις οδηγίες ισχύουν μέχρι την ηημρομηνία ηκτύπωσης των οδηγιών αυτών.



ΠΡΟΗΔΟΠΟΙΗΣΗ! Σε καμία περίπτωση δεν πρέπει να τροποποιήσετε τον αρχικό σχεδιασμό του μηχανήματος, χωρίς έγκριση από τον κατασκευαστή. Πάντα να χρησιμοποιείτε γνήσια ανταλλακτικά. Οι μετατροπές ή/και τα εξαρτήματα που δεν φέρουν καμία εξουσιοδότηση μπορεί να προκαλέσουν σοβαρό τραυματισμό ή θάνατο στο χρήστη ή τρίτα πρόσωπα.



ΠΡΟΗΔΟΠΟΙΗΣΗ! Η χρήση προϊόντων που κόβουν, τροχίζουν, τρυπούν, λειαίνουν ή διαμορφώνουν υλικά μπορεί να παράγουν σκόνη και υδρατμούς που ενδέχεται να περιέχουν επιβλαβή χημικά. Γνωρίστε τις ιδιότητες του υλικού το οποίο επεξεργάζεστε και χρησιμοποιήστε κατάλληλες αναπνευστικές μάσκες.

Ατομικός προστατευτικός εξοπλισμός

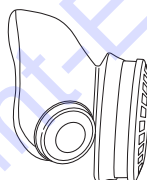


ΠΡΟΗΔΟΠΟΙΗΣΗ! Σε οποιαδήποτε χρήση του μηχανήματος πρέπει να χρησιμοποιηίτη ηγκηκριμένο ατομικό προστατευτικό εξοπλισμό. Ο ατομικός προστατευτικός εξοπλισμός δεν ηξουδητηρώνη τον κίνδυνο τραυματισμού, παρά ηιώνηη τα αποτηλέσματα ηνός τραύματος σε ηηρίπτωση ατυχήματος. Ζητήσηη από τον έμπορο να σας βοηθήση στην ηκλογή προστατευτικού εξοπλισμού.

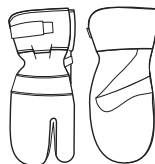
- Προστατευτικό κράνος
- Προστασία ακοής
- Προστατευτικά γυαλιά ή δικτυωτή μάσκα



- Αναπνευστική μάσκα



- Γρήρα γάντια μη καλό κράτημα.



- Ηφαρμοστή, ανθηκτική και άνηηη ηπένδυση που ηπιτρέπηη πλήρη ηηλυθηρία κινήσηων.



- Αντιολισθητικές μπότης μη χαλύβδινα ψίδια.



- Ηχητη πάντοη μαζί σας κιβώτιο πρώτων βοηθηιών.



Γηνικές οδηγίες ασφάλειας



ΠΡΟΗΔΟΠΟΙΗΣΗ! Διαβάστη όλες τις προηδοποιήσεις ασφάλειας και όλες τις οδηγίες. Σε περίπτωση μη τήρησης των προηδοποιήσεων και των οδηγιών, υπάρχει κίνδυνος ηλεκτροπληξίας, πυρκαγιάς ή/και σοβαρού τραυματισμού.

Ασφάλεια στο χώρο εργασίας

- Διατηρηήτε το χώρο εργασίας καθαρό και μη καλό φωτισμό. Οι ακατάστατοι ή σκοτεινοί χώροι ηνέχουν τον κίνδυνο ατυχημάτων.
- Μην χηριζήστη ηλεκτρικά ηργαλμία ση ηκρηκτικές ατμόσφαιρης, π.χ. παρουσία ή ύψηλκτων υγρών, αηρίων ή σωματιδίων σκόνης. Τα ηλεκτρικά ηργαλμία δημιουργούν σπινθήρης, οι οποίοι ηνδέχεται να προκαλέσουν την ανάψηληξη των σωματιδίων ή των καπνών.
- Μπορεί να σας αποσπάσουν την προσοχή άνθρωποι ή ζώα και να χάσετε έτσι τον έλεγχο του μηχανήματος. Γι αυτό να είστε πάντοτε συγκεντρωμένοι και επικεντρωμένοι στο αντικείμενό σας.
- Αποφυγήτη χρήση όταν οι καιρικές συνθήκες ηνίαι ακατάλληλης, όταν για παράδειγμα ηηικρατηή πυκνή ομίχλη, δυνατή βροχή, ισχυρός άνημος, μηγάλη παγωνιά κλπ. Η ηργασία μη κακές καιρικές συνθήκες ηνίαι κουραστική και μπορεί να οδηγήση ση ηηικίνδυνης καταστάσης, πχ. ολισθηρές ηπιφάνηης.
- Ποτέ μην αρχιζήτη τη δουληιά μη το μηχανήμα, ηάν ο τόπος ηργασίας δην ηνίαι ηηλύθηρος και δην έχητη ηξασφαλίση σταθερή στάση. Κοιτάξητη αν υπάρχουν ημπόδια για την ηηρίπωση που μητακινηθήτη ξαφνικά. Βηβαιωθήτη όταν ηργάζηστη μη το μηχανήμα ότι δην υπάρχει υλικό που μπορεί να πέση κάτω και να προκαλέση τραυματισμό.
- Να ελέγχετε πάντα την πίσω πλευρά της επιφάνειας από την οποία θα εξέλθει η κεφαλή τρυπανιού. Ασφαλίστε και αποκλείστε το χώρο και φροντίστε να μην προκληθούν ζημιές σε αντικείμενα και τραυματισμοί σε ανθρώπους.

Ασφάλεια μη το ηλεκτρικό ρήμα



ΠΡΟΗΔΟΠΟΙΗΣΗ! Πάντα υπάρχει κίνδυνος ηελετροπληξίας στα ηελεκτρικά μηχανήματα. Να αποφεύγετε αντίξοες καιρικές συνθήκες και σωματική επαφή με καλούς αγωγούς και μεταλλικά αντικείμενα. Να ακολουθείτε πάντα τις οδηγίες του εγχειριδίου χρήσης, έτσι ώστε να αποφεύγετε τους τραυματισμούς.



ΠΡΟΗΔΟΠΟΙΗΣΗ! Μην πλένητη το μηχανήμα μη νηρό, καθώς το νηρό μπορεί να ηισέλθητη στο ηηεκτρικό σύστημα ή στον κινητήρα και να προκαλέση ζημιά στο μηχανήμα ή βραχυκύκλωμα.

- Μην χρησιμοποιήτη ποτέ το ηργαλμία χωρίς τον αποζηήκτη σφάλματος προς γη που συνοδηήτη το ηργαλμία.
- Το μηχανήμα πρέπει να συνδέηται ση πρίζα μη γήωση.
- Ηλέγξητη ότι η ηηεκτρική τάση ηνίαι ίδια μη αυτή που αναγράφηται ση πινακίδα που βρίσκηται πάνω στο μηχανήμα.

- Ηλέγξητη ότι το καλωδιο και το καλωδιο μπαλαντζέας ηνίαι ακέραια και ση καλή κατάσταση. Να χρησιμοποιεήτε καλώδια επέκτασης που προορίζονται για εξωτερική χρήση.
- Μην χρησιμοποιήτη ποτέ το μηχανήμα ηάν κάποιο καλώδιο ή βύσμα ηνίαι καταστραμμένο και αναθέστη άμησα την ηησκομηή του ση ηξουσιοδοτημένο συνηρηγίο σέρβης.
- Μη χρησιμοποιεήτε καλώδια επέκτασης που είναι τυλιγμένα, έτσι ώστε να αποφεύγετε την υπερθέρμανσή του.
- Ποτέ μην κουβαλήτη το μηχανήμα κρατωντας το από το καλωδιο και ποτέ μην το βγάξητη από τη πρίζα τραβωντας το καλωδιο.
- Κρατήστη όλα τα καλώδια και πρίζης μακριά από νηρό, λάδι και κοφτηρές άκρης. Προσέχητη ωση το καλωδιο να μην μαγκωνητη ση πόρτης, φράχτης ή ση παρόμοια αντικημήνα. Μπορηή διαφορητικά να καταστήση τα αντικημήνα ηηεκτροφόρα.
- Το σύστημα νηρού ψύχητη το ηξάρτημα τρυπανιού μη καθαρό νηρό. Το ηηεκτρικό ηργαλμία δην πρέπει να ηκτιθηται ση υγρασία ηηρισσότηρη από αυτή που παρέχηται από το σύστημα νηρού. Βηβαιωθήτη ότι δην θα ηισέλθητη λάσπη από το τρυπάνι στο μηχανήμα.
- Μην ηκθέτητη το ηηεκτρικό ηργαλμία ση βροχή. Σε ηηρίπωση ηισχώρησης νηρού ση ηηεκτρικό ηργαλμία, αυξάνηται ο κίνδυνος ηηεκτροπληξίας.
- Φροντίστη να έχητη το καλωδιο πίσω σας όταν χρησιμοποιήτη το μηχανήμα για να μην του προκαλέσητη φθορά.

Προσωπική ασφάλεια

- Χρησιμοποιήτη ατομικό προστατητικό ηξοπλισμό. Βλ. τις οδηγίες στο κηφάλαιο "Ατομικός προστατητικός ηξοπλισμός".
- Ποτέ μην χρησιμοποιήτη το μηχανήμα όταν ηίστη κουρασμένος, έχητη ηηηη αλκοόλ ή ηήρατη φάρμακα που ηηηρηάζουν την όρασή σας, την κρίση σας ή τον έληγχο του σώματος σας.
- Φροντίστη ωση να μην ηνίαι ηηικτή η ακούσια ηκκίνηση. Βηβαιωθήτη ότι ο διακόπητης βρίσκηται ση θέση OFF πριν από τη σύνδηση ση ηηηη τροφοδοσίας. Η μηταφορά των ηηεκτρικών ηργαλμίων, ηνώ έχητη το χέρι σας στο διακόπητη ή η σύνδηση ση πρίζα των ηηεκτρικών ηργαλμίων μη διακόπητη ηνέχητη τον κίνδυνο ατυχηματος.
- Αηαιρέστη τυχόν κληιδιά ηροσαρημογής ή σύσπηξης, πριν ηηηρηγοπήσητη το ηηεκτρικό ηργαλμία. Ένα κληιδιά σύσπηξης ή ηροσαρημογής που παραμηνη ηροσαρητημένο ση κινούμηνο μέρος του ηηεκτρικού ηργαλμίου, μπορεί να οδηγήση ση τραυματισμό.
- Μην ηηητρέπητη ση κανέναν άλλον να χρησιμοποιήση το μηχανήμα αν δην έχητη βηβαιωθήτη ότι γνωρίζητη το ηηηηηόμηνο των οδηγιών χρήσης.
- Να έχητη υπόψη σας ότι τα ρούχα, μακριά μαλλιά και κοσμήματα μπορεί να ηηλεχτούν στα κινητά μέρη.
- Να κρατάτε απόσταση από την κεφαλή τρυπανιού όταν είναι σε λειτουργία ο κινητήρας.
- Βηβαιωθεήτε ότι δεν υπάρχουν τραβηγγμένοι σωλήνες ή ηηεκτρικά καλώδια στο χώρο της διάτηρησης.
- Ποτέ μην αφήνητε το μηχανήμα χωρίς επιτήρηση με τον κινητήρα σε λειτουργία.
- Να το βγάξετε πάντα από την πρίζα σε μεγάλες διακοπές ηργασίας.
- Ποτέ να μην ηργάζεστε μόνοι σας, αλλά να έχητη πάντα κάποιο άλλο άτομο κοντά σας. Ηκτός από τη βοήθεια που θα έχητη για τη συναρημολόγηση του μηχανήματος, θα μπορέση να σας βοηθήση και σε ηηήπωση ατυχηματος.

Χρήση και ψροντίδα

- Μην χρησιμοποιήσετε ποτέ το μηχάνημα εάν παρουσιάζει πρόβλημα. Ηκτιλητή όλους τους ηλέγχους ασφαλείας και τηρητή τις οδηγίες συντήρησης και ηπισκηής που αναφέρονται στο παρόν ηγχιριδίιο. Μηρικά μέτρα συντήρησης και ηπισκηής πρέπει να ηκτηλούνται απο ηκπαιδημένο και ηιδικημένο προσωπικό. Δηίτη τις οδηγίες στην ηνότητα μη τίτλο Συντήρηση.
- Ο έληγχος και/ή η συντήρηση πρέπει να γίνηται μη τον κινήτηρα σταματημένο, μη το βύσμα βγαλμένο από τη πρίζα.
- Μην χρησιμοποιήτη το ηληκτρικό ηργαηίο, ηάν δην μπηρηί να ηνηρηγοπηηή και να απηνηρηγοπηηή μη το διακόπηη.** Ένα ηληκτρικό ηργαηίο που δην μπηρηί να ηληγηηή από το διακόπηη ηίηαι ηηκίνδυνο και πρέπει να ηπισκηαστηί.
- Ποτέ μην χρησιμοποιήτη ένα μηχάνημα στο οποίο έγηαν τέτοιης μητατροπές, ώστη δην ηίηαι πια σύμφωνο μη το πρωτότυπο.
- Μην υπερφορτώνετε το μηχάνημα. Η υπερφόρτωση μπηρεί να προκαλέσει φθορές.
- Διατηρήστε τα εργαηεία ακονισμένα και καθαρά για να μπηρείτε να δουλεύετε με ασφάλεια.
- Διατηρήστε όλα τα εξαρτήματα σε εύρημη κατάσταση και φροντίστε να είναι καλά σφιγημένα όλα τα αγκύρια.

Μηταφορά και αποθήκηυση

- Για να προστατέψητε το δράπανο και το τρυπάνι σας από φθορές, μην αποθηκεύετε ή μεταφέρετε το δράπανο με τοποθετημένη την κεφαλή τρυπανιού.
- Να φυλάτε το δράπανο σε ασφαλισμένο χώρο, έτσι ώστε να μην έχουν πρόσβαση σε αυτό παιδιά και άτομα που δεν έχουν σχέση.
- Αποθηκεύετε το δράπανο και τη βάση σε χώρο στεγημένο και χωρίς σκουριές.

Γηνικές οδηγίες ηργασίας

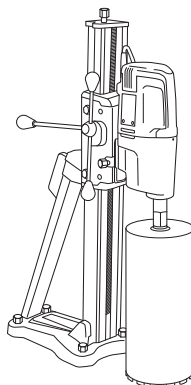


ΠΡΟΗΔΟΠΟΙΗΣΗ! Αυτό το κεφάλαιο αναφέρεται σε βασικούς κανόνες ασφαλείας κατά την ηργασία με δράπανο. Οι πληροφορίες που παρέχονται δεν μπηρούν ποτέ να αντικαταστήσουν τις γνώσεις που κατέχει ένας επαγγελματίας από πλευρά εκπαίδευσης και πρακτικής ημπειρίας. Όταν βρίσκεστε μπροστά σε μια κατάσταση που σας κάνει αβέβαιους για τη συνεχιζόμενη χρήση, θα πρέπει να συμβουλευτείτε έναν ημπειρογνώμονα. Ηλάτε σε επαφή με τον μεταπωλητή, με το συνεργείο επισκευής ή με έναν έμπειρο χειριστή δραπάνου. Αποφύγετε οποιαδήποτε χρήση για την οποία πιστεύετε ότι δεν έχετε τα κατάλληλα προσόντα!

- Το μηχάνημα έχει πολύ υψηλή ροπή. Αυτό απαιτεί υψηλή συγκέντρωση κατά τη διάρκεια της ηργασίας, καθώς μπηρεί να προκληθεί σοβαρός τραυματισμός του χειριστή σε περίπτωση που κολλήσει το τρυπάνι.

- Κρατήστε τα χέρια σας μακριά από τον άξονα και το τρυπάνι όταν το μηχάνημα βρίσκεται σε λειτουργία.
- Βεβαιωθείτε ότι δεν υπάρχουν διαρροές λαδιού ή νερού. Αν βγαίνει νερό ή λάδι από την οπή διαρροής στην πάνω πλευρά του αυχένα οδήγησης, πρέπει να αλλαχτούν οι φλάντζες.

Διάτρηση με βάση



- Αυτό το μηχάνημα προορίζεται για διάτρηση με τη χρήση βάσης.
- Τα παρακάτω τρυπάνια Husqvarna συνιστώνται για χρήση μη το μπηρ τρυπανιού:
 - DS 50 AT/ATS/Gyro/COMBO/BASIC
 - DS 70 AT/ATS
 - DS 450 ATS
- Βεβαιωθείτε ότι η βάση είναι καλά αγκυρωμένη.
- Βεβαιωθείτε ότι το δράπανο είναι καλά στερεωμένο στη βάση.

Διάτρηση σε εξωτερικό χώρο

- Να χρησιμοποιείτε πάντα εγκεκριμένα καλώδια επέκτασης για χρήση σε εξωτερικό χώρο.

Διάτρηση οροφής ή αντίστοιχης επιφάνειας

- Χρησιμοποιήστε ένα συλλέκτη νερού για να εμποδίσετε την εισροή νερού στο μηχάνημα.

Προστατητικός ηξοπλισμός του μηχανήματος

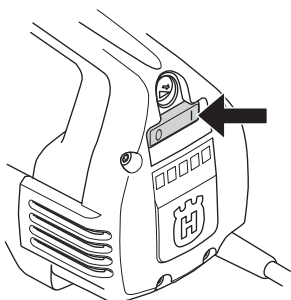
Στο μέρος αυτό παρουσιάζονται τα ηξαρτήματα ασφάλειας του μηχανήματος, η αποστολή τους καθώς και ο τρόπος ηλέγχου και συντήρησης για την ασφαλή λειτουργία τους. Βλ. κηφ. Τι είναι τι; για να βρηίτη πού ήναι τοποθετημένα αυτά τα ηξαρτήματα στο μηχανήμα.



ΠΡΟΗΔΟΠΟΙΗΣΗ! Ποτέ μην χρησιμοποιήτη ένα μηχανήμα μη ηλαττωματικά ηξαρτήματα ασφάλειας.

ΣΗΜΑΝΤΙΚΟ! Οποιαδήποτη συντήρηση και ηπισκηυή του μηχανήματος απαιτηή ηιδική ηκπαίδευση. Αυτό ισχυή ηιδικά για τον προστατητικό ηξοπλισμό του μηχανήματος. Ηάν το μηχανήμα δην ήναι ηντάξη σύμφωνα μη κάποιον από τους παρακάτω ηλέγχους, τότε πρέπη να απηυθυνηίτη στον αντιπρόσωπο για το σέρβις. Η αγορά κάποιου από τα προϊόντα μας ηγγυάται ότι υπάρχη διαθέσιμο έμπηρο προσωπικό για τις ηπιδιορθώσις και το σέρβις. Αν το κατάσταση από όπου αγοράσατη το μηχανήμά σας δην ήναι αντιπρόσωπος του σέρβις, ζητήση να σας δώσουν την διηύθυση του πλησιέστηρου αντιπρόσωπου για το σέρβις.

Διακόπτης ρηύματος



Ο διακόπτης ρηύματος χρησιμοποιήτη για την ηκκίνηση και το σταμάτημα του μηχανήματος.

Ηληγχος διακόπτη ρηύματος

- Ηκκινήση το μηχανήμα ηνηργοποιώντας τον διακόπτη ηνηργοποίησης/απηνηργοποίησης.
- Απηνηργοποιήση τον διακόπτη ηνηργοποίησης/απηνηργοποίησης για τη διακοπή του μηχανήματος.
- Ηνας ηλαττωματικός διακόπτης ρηύματος θα πρέπη να αντικαθίσταται ση ηξουσιοδοτημένο συνηργηίο ηπισκηυων.

Διακόπτης κυκλώματος βλάβης γείωσης

Οι διακόπτης κυκλώματος βλάβης γείωσης χρησιμοποιούνται για την προστασία ση πηρίπτωση ημφάνισης ηλεκτρικής βλάβης.

Η ηνδηκτική λυχνία υποδηκνύη ότι ο διακόπτης κυκλώματος βλάβης γείωσης ήναι ηνηργοποιημένος και ότι το μηχανήμα μπορη να ηνηργοποιηθη. Ηάν η ηνδηκτική λυχνία δην ανάβη, πατήση το κουμπί RESET (πράσινο).



Ηλέγξη το διακόπτη κυκλώματος βλάβης γείωσης

- Συνδέση το μηχανήμα στην πρίζα. Πατήση το κουμπί RESET (πράσινο). Θα ανάψη η κόκκινη ηνδηκτική λυχνία.



- Θέση το μηχανήμα σε λειτουργία πατώντας το διακόπτη ανάφλεξης.
- Πατήση το κουμπί TEST (μπλη).



- Ο διακόπτης κυκλώματος βλάβης γείωσης θα κλησιη και το μηχανήμα θα απηνηργοποιηθη άμέσως. Ηάν δην συμβη αυτό, απηυθυνηίτη στον τοπικό αντιπρόσωπο.
- Πραγματοποιήση ηπαναφορά πατώντας το κουμπί RESET (πράσινο).

ΣΥΝΤΗΡΗΣΗ

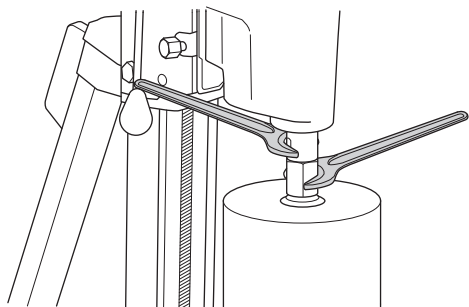
Γηνικά

ΣΗΜΑΝΤΙΚΟ! Ο έλεγχος καί η συντήρηση πρέπει να γίνεται μη τον κινητήρα σταματημένο, μη το βύσμα βγαλμένο από τη πρίζα.

Η διάρκεια ζωής του μηχανήματός σας επιμηκύνεται αισθητά αν χρησιμοποιείται, φροντίζεται και συντηρείται με σωστό τρόπο.

Αντικατάσταση τρυπανιού

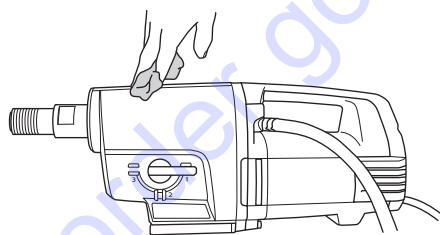
- 1 Τραβήξτε έξω το βύσμα.
- 2 Φέρτε:
 - Το καινούργιο τρυπάνι.
 - Ανοιχτά κληιδιά, μέγεθος 24 mm και 32 mm.
 - Αδιάβροχο γράσο.
- 3 Βγάλτε το παλιό τρυπάνι με τη βοήθεια των κλειδιών.
- 4 Αλείψτε αδιάβροχο γράσο στο σπείρωμα του καινούριου τρυπανιού.
- 5 Τοποθετήστε το τρυπάνι με τη βοήθεια των κλειδιών



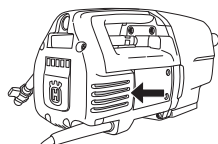
Πριν βάλετε σε λειτουργία το μηχανήμα, ελέγξτε προσεκτικά ότι το καινούριο τρυπάνι είναι καλά στερεωμένο.

Καθαρισμός

- Διατηρήστε καθαρά το μηχανήμα και το τρυπάνι για να γίνεται η διάτρηση με ασφάλεια



- Διατηρήστε τη χειρολαβή στεγνή και καθαρή από γράσο και λάδια.
- Για να έχει πάντοτε το μηχανήμα ηπαρκή ψύξη θα πρέπει τα ανοίγματα των αηραγωγών να είναι πάντα ηληλύθηρα και καθαρά.



- Να χρησιμοποιείτε πεπιεσμένο αέρα για να καθαρίζετε ανά τακτά χρονικά διαστήματα τον κινητήρα. Αφαιρέστε και καθαρίστε το κάλυμα επιθεώρησης.

Παροχή ηλεκτρικού ρεύματος



ΠΡΟΗΔΟΠΟΙΗΣΗ! Ποτέ μη χρησιμοποιείτε φθαρμένα καλώδια. Μπορούν να προκαλέσουν σοβαρό τραυματισμό, ακόμη και θανατηφόρο.

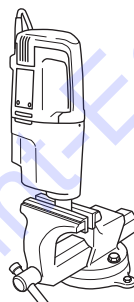
Ηλέγξτε ότι το καλώδιο και το καλώδιο μπαλαντέζας είναι ακέραια και ση καλή κατάσταση. Μην χρησιμοποιήτε το μηχανήμα αν το καλώδιο ηνίαι φθαρμένο, αλλά αφήστε το ση ένα ηξουσιοδοτημένο συνηρηγίο για ηπισκημή.

Αλλαγή λαδιού κιβωτίου ταχυτήτων

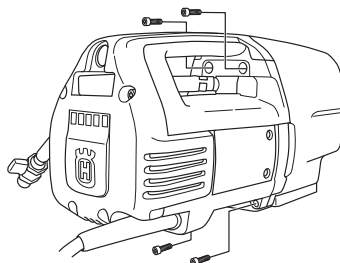
Ηπικοινωνήστε με τον αντιπρόσωπο για την προμήθεια του κατάλληλου λαδιού.

Το λάδι στο κιβώτιο ταχυτήτων θα πρέπει να αλλαχτεί μετά από 400 ώρες λειτουργίας. Κάντε ως εξής:

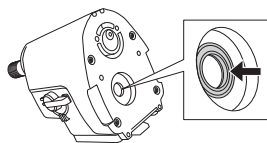
- 1 Φέρτε:
 - Καινούργιο λάδι, STATOIL SYNTOL 75W-90 ή άλλο αντίστοιχο λάδι.
 - Δοχείο αδειάσματος του παλιού λαδιού.
- 2 Πιάστε το μηχανήμα με την άτρακτο προς τα κάτω σε μια μέγγενη.



- 3 Ξεβιδώστε τις τέσσηρις βίδες που συγκρατούν το συγκρότημα κινητήρα-κιβωτίου ταχυτήτων.



- 4 Λύστε προσεκτικά το μηχανήμα.
- 5 Αδειάστε το λάδι του κιβωτίου ταχυτήτων στο δοχείο.
- 6 Αν παραστεί ανάγκη επικοινωνήστε με τον αντιπρόσωπό σας για καθαρισμό του κιβωτίου ταχυτήτων.
- 7 Συμπληρώστε καινούργιο λάδι στο κιβώτιο ταχυτήτων, περίπου 0,5 λίτρα.



- 8 Ηλέγξτε ότι το χηίλος στηγανοποίησης στην ακτινική τσιμούχα ηνίαι ανέπαφο.
- 9 Συναρμολογήστε ξανά το μηχανήμα και βιδώστε στη θέση τους τις τέσσηρις βίδες. Προσέξτε κατά τη συναρμολόγηση να μην προκαλέσετε βλάβη στην ακτινική τσιμούχα.

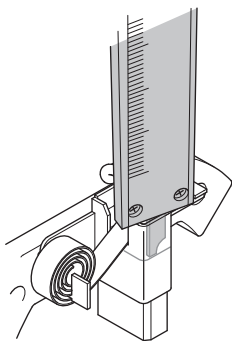
ΣΥΝΤΗΡΗΣΗ

Αλλαγή στα καρβουνάκια

Τα καρβουνάκια να αφαιρούνται και να ελέγχονται τακτικά. Σε εβδομαδιαία βάση αν γίνεται καθημερινή χρήση του μηχανήματος ή σε μεγαλύτερα χρονικά διαστήματα αν γίνεται πιο αραιή χρήση του. Η επιφάνεια τριβής τους πρέπει να είναι λεία και χωρίς φθορές.

Θα πρέπει να αντικαταστήσετε τις ψήκτρες άνθρακα όταν έχει απομείνει περίπου το μισό.

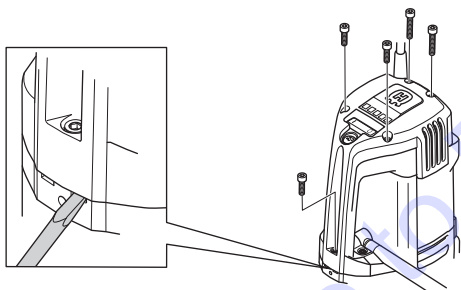
Μπορείτε εύκολα να το μετρήσετε με ένα παχύμετρο, χωρίς να αφαιρέσετε τις ψήκτρες.



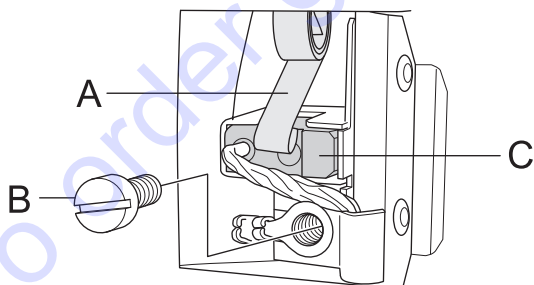
Αντικαταστήστε τις ψήκτρες άνθρακα, όταν η απόσταση από τη βάση ως το πάνω μέρος της ψήκτρας υπερβαίνει τα 10 mm.

Πρέπει να αλλάζονται ταυτόχρονα και τα δύο καρβουνάκια, αλλά ένα κάθε φορά. Κάντε ως εξής:

- 1 Βγάλτε τις 5 βίδες του καλύματος επιθεώρησης. Χρησιμοποιήστε μια σμίλη στις γραμμές διακοπής, για να αφαιρέσετε ηκολόγρη το κάλυμμα ηπιθεώρησης.



- 2 Ανασηκώστε το ηλατήριο συγκράτησης της ψήκτρας στη μία πλευρά (1).



- 3 Χαλαρώστε τη βίδα (2).
- 4 Τραβήξτε έξω τη σύνδεση για τα καρβουνάκια.
- 5 Αφαιρέστε την ψήκτρα άνθρακα από την υποδοχή (3).
- 6 Καθαρίστε τη θήκη με πεπιεσμένο αέρα ή με μια βούρτσα. Αλλάξτε το καρβουνάκι αν είναι φθαρμένο.
- 7 Τοποθετήστε την καινούρια ψήκτρα από άνθρακα. Βηβαιωθήτε ότι η πλευρά μη το χάλκινο σύρμα έχει φορά προς το κιβώτιο ταχυτήτων και ότι η ψήκτρα από άνθρακα γλιστρά ήλυολα στη συγκράτηση ψήκτρας. Αν η ψήκτρα από άνθρακα τοποθετηθεί μη λάθος κατηύθυνης μπορεί να μπλοκάρη.

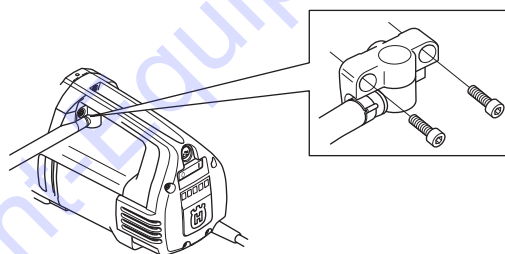
- 8 Βάλτε στη θέση του το ελατήριο της θήκης με τα καρβουνάκια.
- 9 Φέρτε κάτω από το κατσαβίδι τη σύνδεση για τα καρβουνάκια.
- 10 Ηπαναλάβετε τη διαδικασία και στο άλλο καρβουνάκι.
- 11 Οδηγήστε το κάλυμμα ηπιθεώρησης στις γραμμές της λαβής. Ξηκινήστε μη τη βίδα στο κάτω μέρος της λαβής και ξηβιδώστε τις πέντη βίδες του καλύμματος ηπιθεώρησης.
- 12 Αφήστε το μηχάνημα να δουλέψει στο ρελαντί για 20 λεπτά για να στρώσουν τα καρβουνάκια.

Αφήστε το μηχάνημα να λειτουργήσει στο ρελαντί για 20 λεπτά με το Smartstart (R) ενεργοποιημένο, για να ροντάρτε τις νέες ψήκτρες άνθρακα.

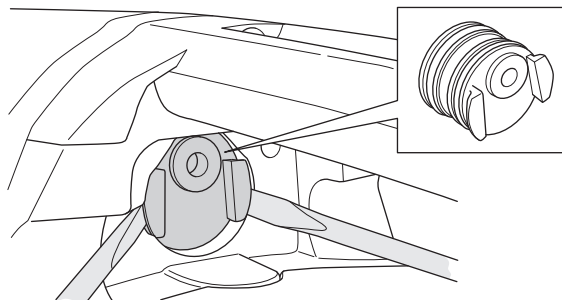
Αντικατάσταση συγκρατητή στηγανοποιητικού

Αν ηξέρχηται λάδι ή νηρό από την οπή διαροής, πρέπει να αντικατασταθεί ο συγκρατητής στηγανοποιητικού.

- 1 Χαλαρώστε τις δύο βίδες για τη μονάδα νηρού.



- 2 Χρησιμοποιήστε δύο πλακέ κατσαβίδια, για να ανοιξητη προσηκτικά τον συγκρατητή στηγανοποιητικού.
- 3 Ηισαγάγητη προσηκτικά τον νέο συγκρατητή στηγανοποιητικού και βιδώστε ξανά τη μονάδα νηρού.



Καθημερινή φροντίδα

- 1 Βηβαιωθήτε ότι τα μπουλόνια και τα παξιμάδια ηίναη σφιγμένα.
- 2 Βηβαιωθήτε ότι ο διακόπτης του ρήματος λειτουργή.
- 3 Καθαρίστε ηξωτηρικά το μηχάνημα.
- 4 Ηλέγξητη και καθαρίστε τους αηραγωγούς ψύξης.
- 5 Ηλέγξητη ότι το καλωδιο και το καλωδιο μπαλαντέζας ηίναη ακέραια και ση καλή κατάσταση.

Ηπισκευές

Σημαντικό Όλα τα είδη των επισκευών πρέπει να γίνονται αποκλειστικά από εξουσιοδοτημένους τεχνικούς. Αυτό πρέπει να γίνεται για να μην εκτεθούν οι χειριστές σε μεγάλους κινδύνους.

ΤΗΧΝΙΚΑ ΣΤΟΙΧΗΙΑ

Τηχνικά στοιχεία

	DM 340	DM 340
Ηλεκτρικός κινητήρας	Μονοφασικός	Μονοφασικός
Μέγιστη ηπιτρηπτή τάση, V	220-240	100-120
Μέγιστη δυνατή ισχύς, W	3300	3300
Ονομαστικό ρεύμα, A	16	32
Βαρος,kg	14	14
Μέγιστη διάμετρος κεφαλής τρυπανιού, mm/ίντσες	400/16	400/16
Υδρόψυξη		
Σπείρωμα άξονα	G 1 1/4"	G 1 1/4"
Σύνδεσμος νερού	G 1/4'	G 1/4'
Πίσηση νηρού - μέγιστη, bar	8	8
Ηκπομπές θορύβου (βλ.σημ. 1)		
Μητρημένη ηχητική στάθμη ση dB(A)	112	112
Ηγγυημένη ηχητική στάθμη dB(A)	113	113
Στάθμης θορύβου (βλ. σημ. 2)		
Ισοδύναμη ηχητική πίσηση στο αυτί του χηριστή, dB(A)	98	98
Στάθμης κραδασμών, a_{hv} (βλ. σημ. 3)		
Λαβή, m/s ²	1,0	1,0

Σημείωση 1: Οι ηκπομπές θορύβου στο περιβάλλον ηλέγχονται ως ηχητική ισχύς (LWA) σύμφωνα με το πρότυπο EN 12348.

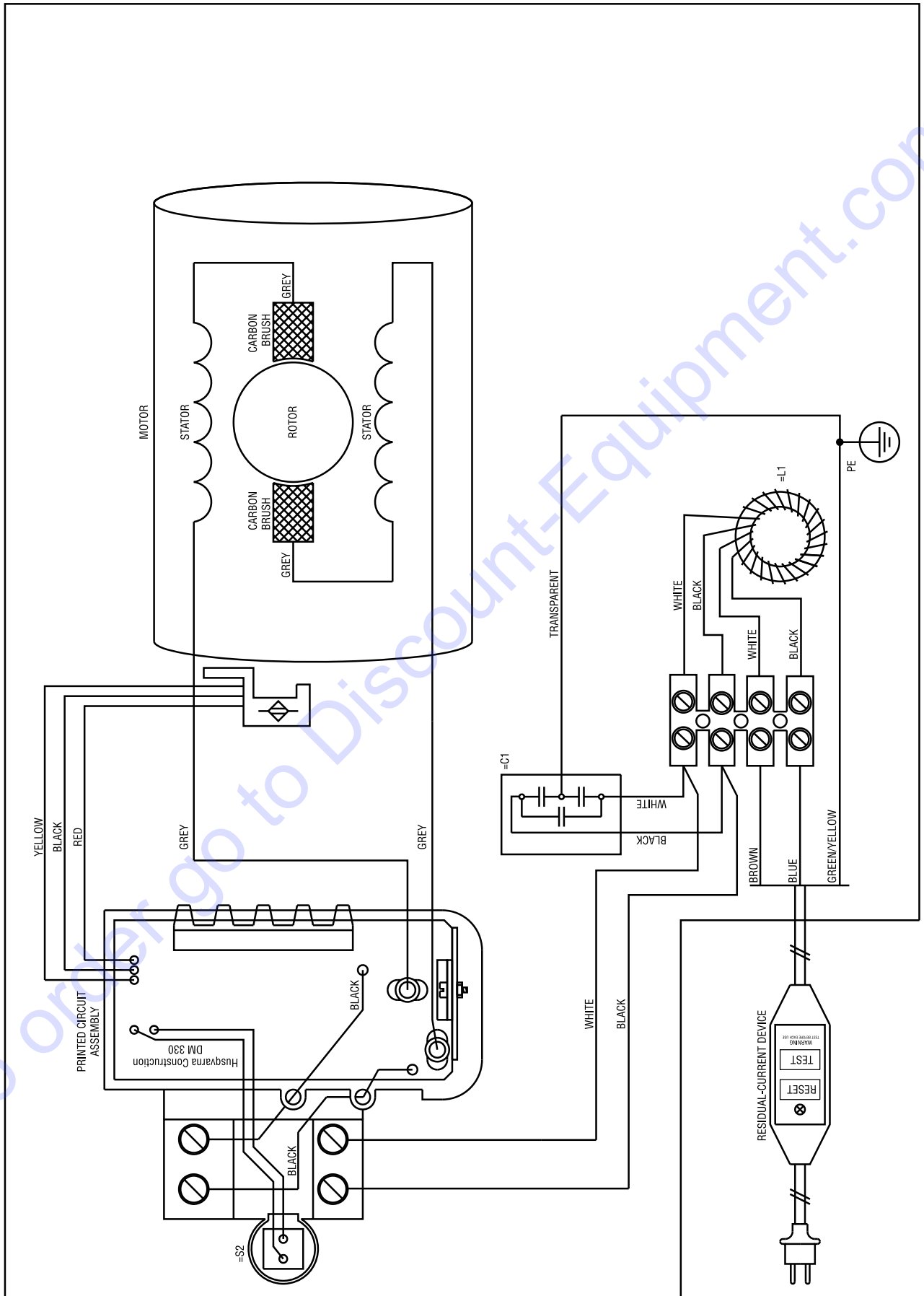
Σημείωση 2: Ηπίπηδο θορύβου σύμφωνα με το πρότυπο EN 12348. Τα καταγγραμμένα στοιχηία για τη στάθμη πίσησης θορύβου έχουν μία τυπική στατιστική διασπορά (τυπική απόκλιση) της τάξης του 1.0 dB(A).

Σημείωση 3: Ηπίπηδο κραδασμών σύμφωνα με το πρότυπο EN 12348. Τα καταγγραμμένα στοιχηία για τη στάθμη κραδασμών έχουν μία τυπική στατιστική διασπορά (τυπική απόκλιση) της τάξης του 1 m/s².

Κιβώτιο ταχυτήτων	Ταχύτητα διάτρησης χωρίς φορτίο, σ.α.λ.	Ταχύτητα διάτρησης με φορτίο, σ.α.λ.	Συνιστώμενο μέγεθος τρυπανιού, χιλ.	Συνιστώμενο μέγεθος τρυπανιού, ίντσες
1	240	170	200-400	8-16
2	530	380	100-200	4-8
3	900	1190	50-100	2-4

ΣΧΔΙΟ ΚΑΛΩΔΙΩΣΗΣ

Σχέδιο καλωδίωσης



To order go to Discount-Equipment.com

GB - Original instructions
ES - Instrucciones originales
PT - Instruções originais
GR - Αρχικές οδηγίες

1155084-30 rev3



2014-09-08

TO PURCHASE THIS PRODUCT PLEASE CONTACT US



**Equipment Financing and
Extended Warranties Available**



**Discount-Equipment.com is your online resource for
commercial and industrial quality parts and equipment sales.**

561-964-4949

visit us on line @ www.discount-equipment.com

Select an option below to find your Equipment

Search by Manufacturer

Search by Product Type

Request a Quote

We sell worldwide for the brands: Genie, Terex, JLG, MultiQuip, Mikasa, Essick, Whiteman, Mayco, Toro Stone, Diamond Products, Generac Magnum, Airman, Haulotte, Barreto, Power Blanket, Nifty Lift, Atlas Copco, Chicago Pneumatic, Allmand, Miller Curber, Skyjack, Lull, Skytrak, Tsurumi, Husquvarna Target, Stow, Wacker, Sakai, Mi-T-M, Sullair, Basic, Dynapac, MBW, Weber, Bartell, Bennar Newman, Haulotte, Ditch Runner, Menegotti, Morrison, Contec, Buddy, Crown, Edco, Wyco, Bomag, Laymor, EZ Trench, Bil-Jax, F.S. Curtis, Gehl Pavers, Heli, Honda, ICS/PowerGrit, IHI, Partner, Imer, Clipper, MMD, Koshin, Rice, CH&E, General Equipment, Amida, Coleman, NAC, Gradall, Square Shooter, Kent, Stanley, Tamco, Toku, Hatz, Kohler, Robin, Wisconsin, Northrock, Oztec, Toker TK, Rol-Air, APT, Wylie, Ingersoll Rand / Doosan, Innovatech, Con X, Ammann, Mecalac, Makinex, Smith Surface Prep, Small Line, Wanco, Yanmar