



# SPARE PARTS LIST

TROWELS

CT 48, 2021-12

Go to [Discount-Equipment.com](https://Discount-Equipment.com) to order your parts



# PARTS FINDER

**Search Website  
by Part Number**



**Search Manual  
Library For Parts  
Manual & Lookup Part  
Numbers – Purchase  
or Request Quote**

**Search Manuals**

Enter your information to help us find the right parts manual for your machine.

\* Brand:

\* Model:

\* Serial:

\* Part Number:

SEARCH

**Can't Find Part or  
Manual? Request Help  
by Manufacturer,  
Model & Description**

**Parts Order Form**

Please fill in the following information to help us find the right part for your machine.

Manufacturer:	<input type="text"/>
Model:	<input type="text"/>
Description:	<input type="text"/>
Part Number:	<input type="text"/>
Quantity:	<input type="text"/>
Notes:	<input type="text"/>

Submit

Discount-Equipment.com is your online resource for quality parts & equipment.

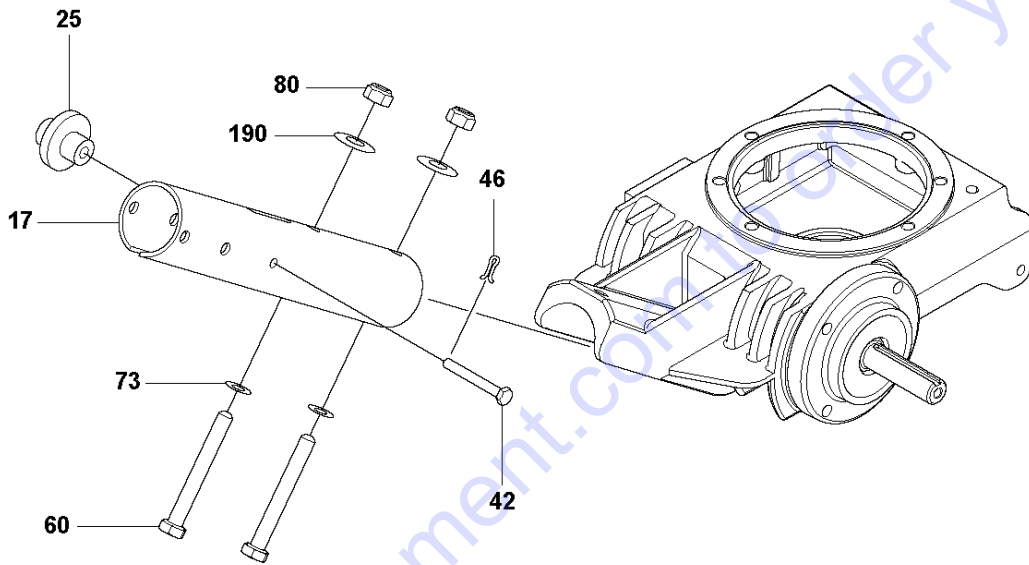
Florida: **561-964-4949** Outside Florida TOLL FREE: **877-690-3101**

**Need parts?**

Click on this link: <http://www.discount-equipment.com/category/5443-parts/> and choose one of the options to help get the right parts and equipment you are looking for. Please have the machine model and serial number available in order to help us get you the correct parts. If you don't find the part on the website or on one of the online manuals, please fill out the request form and one of our experienced staff members will get back to you with a quote for the right part that your machine needs.

We sell worldwide for the brands: Genie, Terex, JLG, MultiQuip, Mikasa, Essick, Whiteman, Mayco, Toro Stone, Diamond Products, Generac Magnum, Airman, Haulotte, Barreto, Power Blanket, Nifty Lift, Atlas Copco, Chicago Pneumatic, Allmand, Miller Curber, Skyjack, Lull, Skytrak, Tsurumi, Husquvarna Target, Stow, Wacker, Sakai, Mi-T-M, Sullair, Basic, Dynapac, MBW, Weber, Bartell, Bennar Newman, Haulotte, Ditch Runner, Menegotti, Morrison, Contec, Buddy, Crown, Edco, Wyco, Bomag, Laymor, EZ Trench, Bil-Jax, F.S. Curtis, Gehl Pavers, Heli, Honda, ICS/PowerGrit, IHI, Partner, Imer, Clipper, MMD, Koshin, Rice, CH&E, General Equipment, Amida, Coleman, NAC, Gradall, Square Shooter, Kent, Stanley, Tamco, Toku, Hatz, Kohler, Robin, Wisconsin, Northrock, Oztec, Toker TK, Rol-Air, APT, Wylie, Ingersoll Rand / Doosan, Innovatech, Con X, Ammann, Mecalac, Makinex, Smith Surface Prep, Small Line, Wanco, Yanmar

**A** CT48  
HANDLE, LOWER

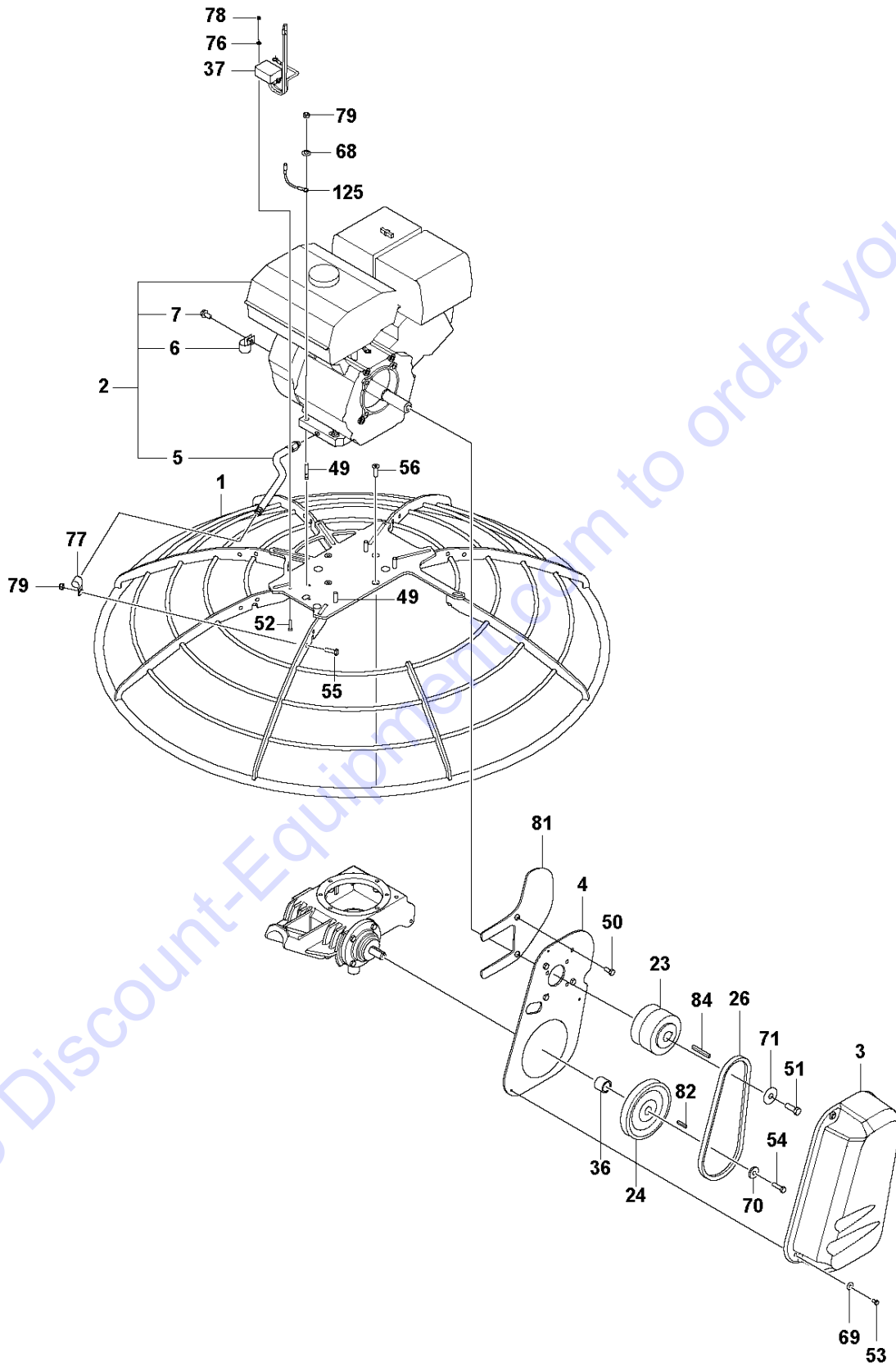


Go to Discount-Equipment.com to order your parts

Ref	Part No	Description	Remark	QTY KIT
17	599 00 24-01	PIPE		1
25	599 17 15-01	PULLEY		1
42	599 16 80-01	PIN	Clevis pin 1/4"x2-3/8" Zn	1
46	599 16 35-01	PIN	Cotter pin 0.073"x1-3/16" Zn	1
60	599 16 04-01	SCREW	M10x85 49Nm/36ft.lbs	2
73	734 11 72-01	WASHER	M10 ISO 7089 200HV ZPB	2
80	732 25 20-01	HEXAGON LOCKING NUT	M10 ISO 7040 8 ZPB	2
190	734 11 74-41	WASHER	M10 ISO 7093 ZPB	2

Go to [Discount-Equipment.com](https://Discount-Equipment.com) to order your parts

**B** CT48  
DRIVE, CT48-8A, HONDA GX 240



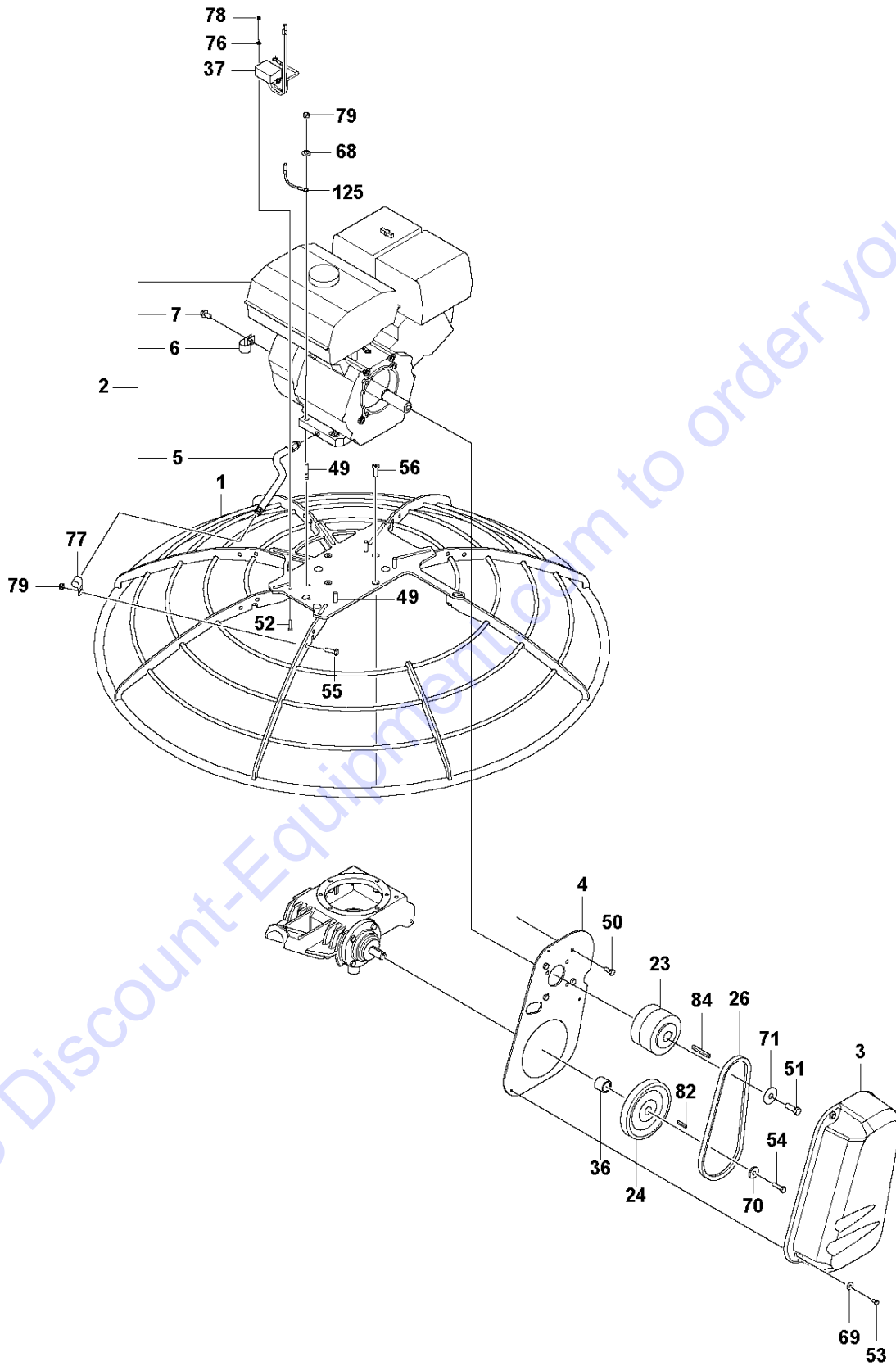
## DRIVE

CT 48, 2021-12

Ref	Part No	Description	Remark	QTY	KIT
1	599 08 35-01	RING		1	
2	531 01 43-01	ENGINE KIT	GX240UT2 QWC NH1	1	
3	599 13 15-02	BELT GUARD		1	
4	599 00 82-01	PLATE		1	
5	599 01 81-01	FITTING		1	2
6	599 16 64-01	CLAMP		1	2
7	725 23 64-61	SCREW EHHFT	M6x10 EN 1665 8.8 ZPB	1	2
23	598 98 70-01	CLUTCH		1	
24	599 00 54-01	PULLEY		1	
26	598 98 96-01	BELT	A29	1	
36	599 00 76-01	SPACER		1	
37	599 06 98-01	CONTROL		1	
49	599 17 02-01	STUD		4	
50	542 02 03-14	SCREW	HHCS 5/16"-24x3/4" GR5 Zn 25Nm/18ft.lbs	4	
51	599 17 16-01	SCREW		1	
52	725 22 95-71	SCREW EHHM	M4x20 ISO 4017 8.8 ZPB	2	
53	725 23 66-71	SCREW EHHM	M6x12 ISO 4017 8.8 ZPB	3	
54	725 24 55-71	SCREW EHHM	M8x30 ISO 4017 8.8 ZPB	1	
55	725 24 55-71	SCREW EHHM	M8x30 ISO 4017 8.8 ZPB	1	
56	725 64 55-01	SCREW IHCSFM	M8x30 ISO 10642 8.8 ZPB	4	
68	734 11 65-41	WASHER	M8 ISO 7093 ZPB	4	
69	734 11 54-41	WASHER	M6 ISO 7093 ZPB	3	
70	599 17 64-01	WASHER		1	
71	599 17 20-01	WASHER		1	
76	734 11 46-01	WASHER	M5 ISO 7089 200HV ZPB	2	
77	542 16 66-76	CLAMP		1	
78	542 16 74-85	LOCK NUT	M4 Locknut, fiber	2	
79	732 25 18-01	HEXAGON LOCKING NUT	M8 ISO 7040 8 ZPB	5	
81	599 01 16-01	PLATE		1	
82	541 40 04-48	KEY	3/16"x3/16"x1"	1	
84	599 17 68-01	KEY	1/4"x1/4"x2-3/16"	1	
125	599 02 75-01	WIRING		1	

Go to Discount-Equipment.com to buy your parts

**C** CT48  
DRIVE, CT48-11A, HONDA GX 340



## DRIVE

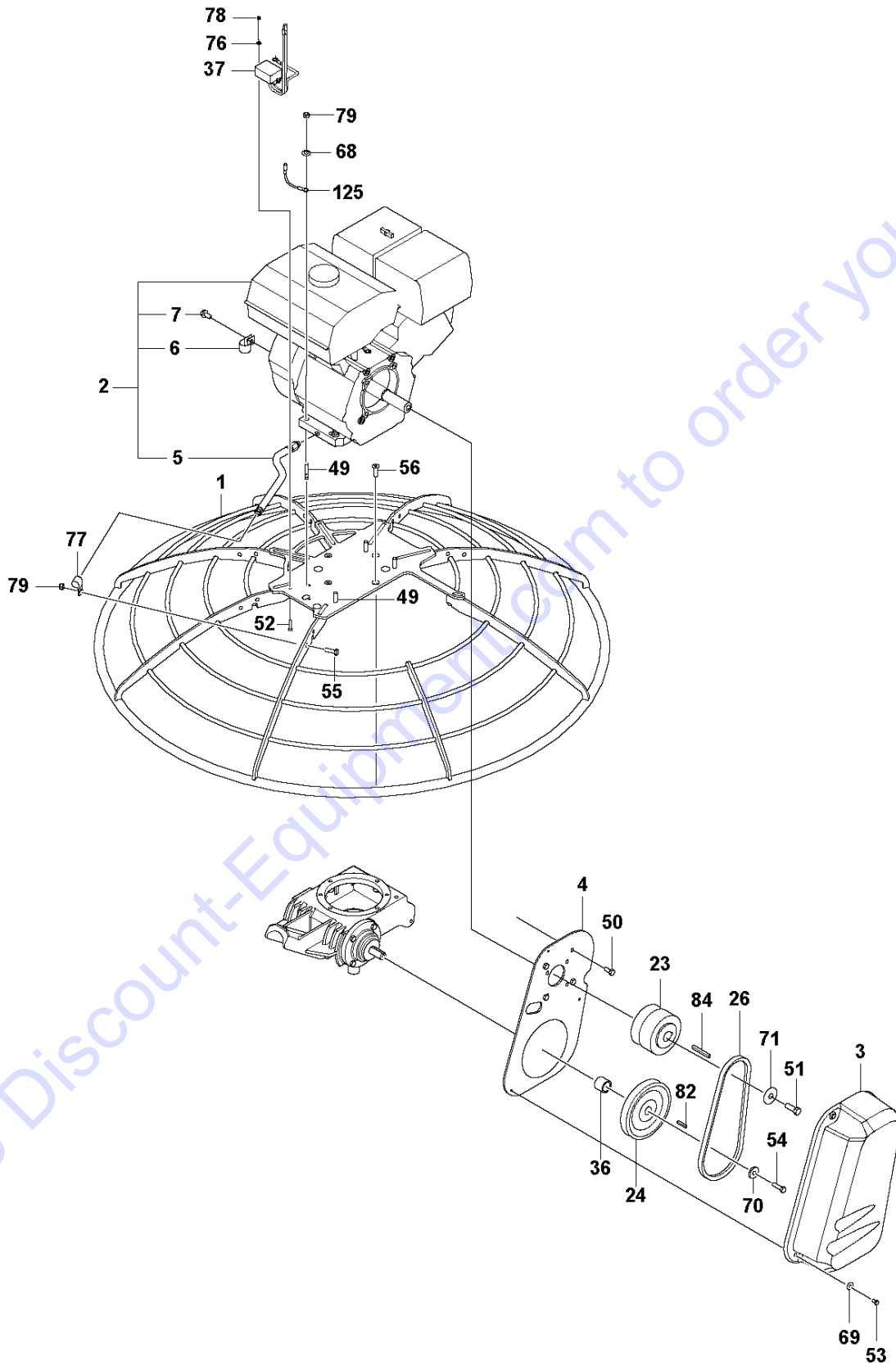
CT 48, 2021-12

Ref	Part No	Description	Remark	QTY	KIT
1	599 08 35-01	RING		1	
2	599 33 15-01	ENGINE	GX340UT2 QWC	1	
3	599 13 15-02	BELT GUARD		1	
4	599 00 82-01	PLATE		1	
5	599 01 81-01	FITTING		1	2
6	599 16 64-01	CLAMP		1	2
7	725 23 64-61	SCREW EHHFT	M6x10 EN 1665 8.8 ZPB	1	2
23	598 98 70-01	CLUTCH		1	
24	599 00 54-01	PULLEY		1	
26	598 98 96-01	BELT	B29	1	
36	599 00 76-01	SPACER		1	
37	599 06 98-01	CONTROL		1	
49	599 17 02-01	STUD		4	
50	542 02 03-14	SCREW	HHCS 5/16"-24x3/4" GR5 Zn 25Nm/18ft.lbs	4	
51	542 16 81-33	SCREW	HHCS 3/8"-24 UNFx1" GR5 Zn	1	
52	725 22 95-71	SCREW EHHM	M4x20 ISO 4017 8.8 ZPB	2	
53	725 23 66-71	SCREW EHHM	M6x12 ISO 4017 8.8 ZPB	3	
54	725 24 55-71	SCREW EHHM	M8x30 ISO 4017 8.8 ZPB	1	
55	725 24 55-71	SCREW EHHM	M8x30 ISO 4017 8.8 ZPB	1	
56	725 64 55-01	SCREW IHCSFM	M8x30 ISO 10642 8.8 ZPB	4	
68	734 11 65-41	WASHER	M8 ISO 7093 ZPB	4	
69	734 11 54-41	WASHER	M6 ISO 7093 ZPB	3	
70	599 17 64-01	WASHER		1	
71	599 16 60-01	WASHER		1	
76	734 11 46-01	WASHER	M5 ISO 7089 200HV ZPB	2	
77	542 16 66-76	CLAMP		1	
78	542 16 74-85	LOCK NUT	M4 Locknut, fiber	2	
79	732 25 18-01	HEXAGON LOCKING NUT	M8 ISO 7040 8 ZPB	5	
82	599 17 00-01	KEY	3/16"x3/16"x7/8"	1	
84	599 17 68-01	KEY	1/4"x1/4"x2-3/16"	1	
125	599 02 75-01	WIRING		1	

Go to Discount-Equipment.com to buy your parts



**D** CT48  
DRIVE, CT48-13A, HONDA GX 390



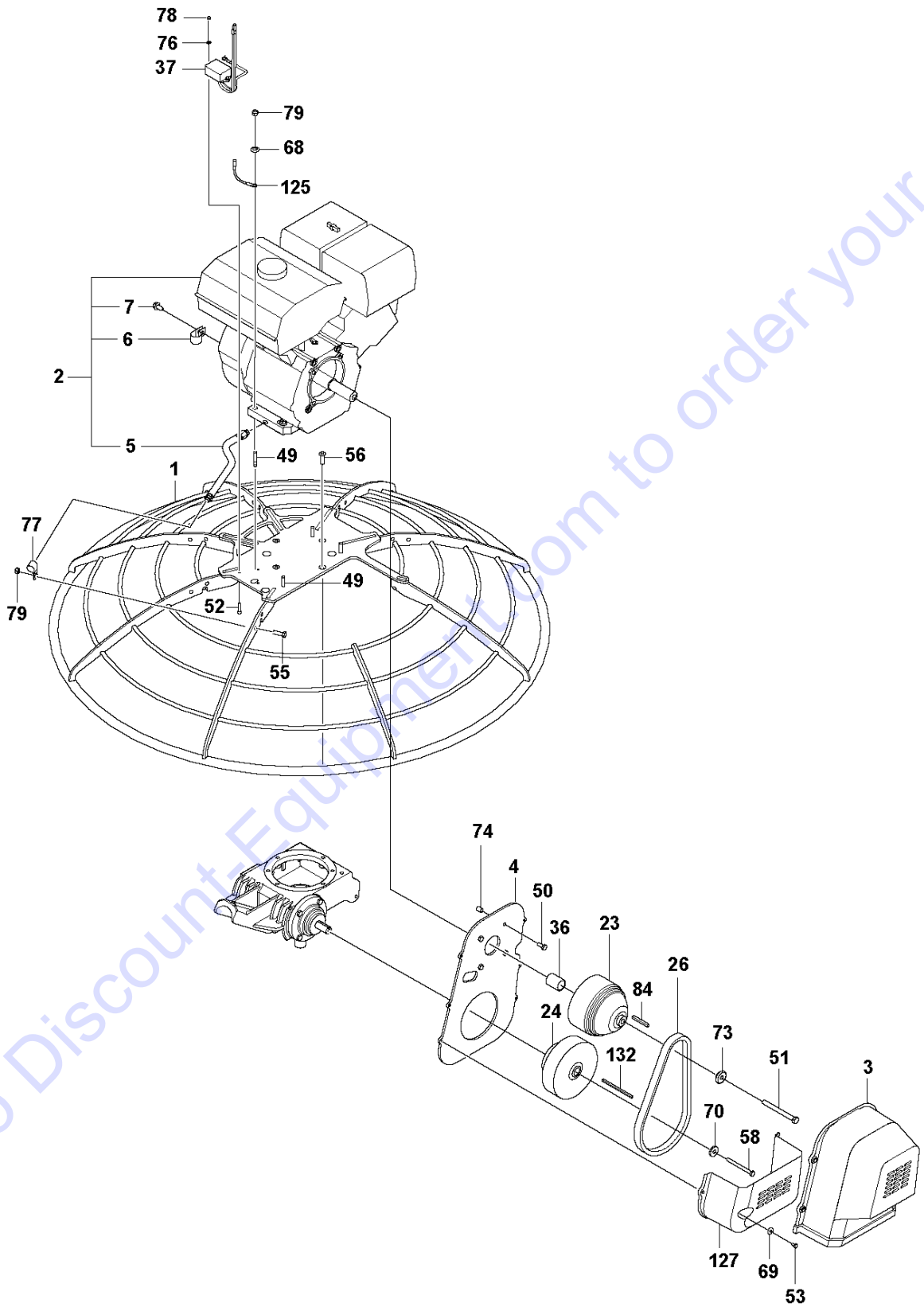
## DRIVE

CT 48, 2021-12

Ref	Part No	Description	Remark	QTY	KIT
1	599 08 35-01	RING		1	
2	599 41 83-01	ENGINE	GX390UT2 QWC	1	
3	599 13 15-02	BELT GUARD		1	
4	599 00 82-01	PLATE		1	
5	599 01 81-01	FITTING		1	2
6	599 16 64-01	CLAMP		1	2
7	725 23 64-61	SCREW EHHFT	M6x10 EN 1665 8.8 ZPB	1	2
23	598 98 70-01	CLUTCH		1	
24	599 00 54-01	PULLEY		1	
26	598 98 96-01	BELT	B29	1	
36	599 00 76-01	SPACER		1	
37	599 06 98-01	CONTROL		1	
49	599 17 02-01	STUD		4	
50	542 02 03-14	SCREW	HHCS 5/16"-24x3/4" GR5 Zn 25Nm/18ft.lbs	4	
51	542 16 81-33	SCREW	HHCS 3/8"-24 UNFx1" GR5 Zn	1	
52	725 22 95-71	SCREW EHHM	M4x20 ISO 4017 8.8 ZPB	2	
53	725 23 66-71	SCREW EHHM	M6x12 ISO 4017 8.8 ZPB	3	
54	725 24 55-71	SCREW EHHM	M8x30 ISO 4017 8.8 ZPB	1	
55	725 24 55-71	SCREW EHHM	M8x30 ISO 4017 8.8 ZPB	1	
56	725 64 55-01	SCREW IHCSFM	M8x30 ISO 10642 8.8 ZPB	4	
68	734 11 65-41	WASHER	M8 ISO 7093 ZPB	4	
69	734 11 54-41	WASHER	M6 ISO 7093 ZPB	3	
70	599 17 64-01	WASHER		1	
71	599 16 60-01	WASHER		1	
76	734 11 46-01	WASHER	M5 ISO 7089 200HV ZPB	2	
77	542 16 66-76	CLAMP		1	
78	542 16 74-85	LOCK NUT	M4 Locknut, fiber	2	
79	732 25 18-01	HEXAGON LOCKING NUT	M8 ISO 7040 8 ZPB	5	
82	599 17 00-01	KEY	3/16"x3/16"x7/8"	1	
84	599 17 68-01	KEY	1/4"x1/4"x2-3/16"	1	
125	599 02 75-01	WIRING		1	

Go to Discount-Equipment.com to find your parts

**E** CT48  
DRIVE, CT48-13A-V, HONDA GX 390



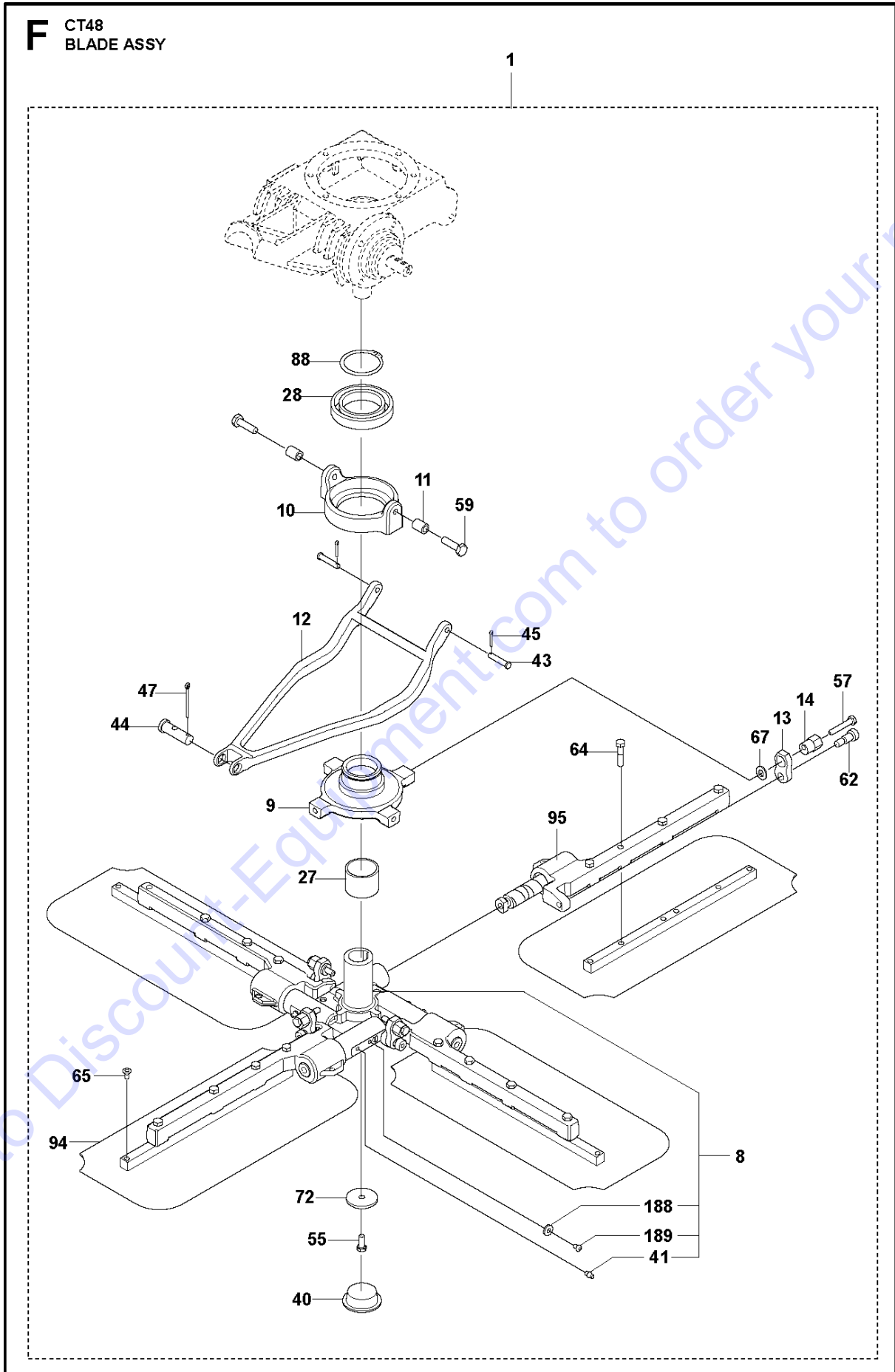
## DRIVE

CT 48, 2021-12

Ref	Part No	Description	Remark	QTY	KIT
1	599 08 36-01	RING		1	
2	599 41 83-01	ENGINE		1	
3	599 13 16-02	BELT GUARD		1	
4	599 06 37-01	PLATE		1	
5	599 01 81-01	FITTING		1	2
6	599 16 64-01	CLAMP		1	2
7	725 23 64-61	SCREW EHHFT	M6x10 EN 1665 8.8 ZPB	1	2
23	599 06 33-01	CLUTCH		1	
24	599 06 34-01	CLUTCH		1	
26	599 06 26-01	BELT		1	
36	599 06 32-01	SPACER		1	
37	599 06 98-01	CONTROL		1	
49	599 17 02-01	STUD		4	
50	505 82 16-01	BOLT	HHCS 7/16"-20x1-1/4" GR5 Zn	4	
51	599 17 48-01	BOLT	7/16"-20x1-1/4" GR5 Zn	1	
52	725 22 95-71	SCREW EHHM	M4x20 ISO 4017 8.8 ZPB	2	
53	725 23 66-71	SCREW EHHM	M6x12 ISO 4017 8.8 ZPB	6	
55	725 24 55-71	SCREW EHHM	M8x30 ISO 4017 8.8 ZPB	1	
56	725 64 55-01	SCREW IHCSFM	M8x30 ISO 10642 8.8 ZPB	4	
58	725 24 66-51	SCREW	M8x75 ISO 4017 8.8	1	
68	734 11 65-41	WASHER	M8 ISO 7093 ZPB	4	
69	734 11 54-41	WASHER	M6 ISO 7093 ZPB	6	
70	599 06 35-01	WASHER		1	
74	599 06 31-01	SPACER		4	
73	734 11 72-01	WASHER	M10 ISO 7089 200HV ZPB	1	
76	734 11 46-01	WASHER	M5 ISO 7089 200HV ZPB	2	
77	542 16 66-76	CLAMP		1	
78	542 16 74-85	LOCK NUT	M4 Locknut, fiber	2	
79	732 25 18-01	HEXAGON LOCKING NUT	M8 ISO 7040 8 ZPB	4	
84	599 17 49-01	KEY	3/16"x1/4"x2"	1	
125	599 02 75-01	WIRING		1	
127	599 15 96-02	BELT GUARD		1	
132	599 17 50-01	KEY	3/16"x3/16"x3.7"	1	

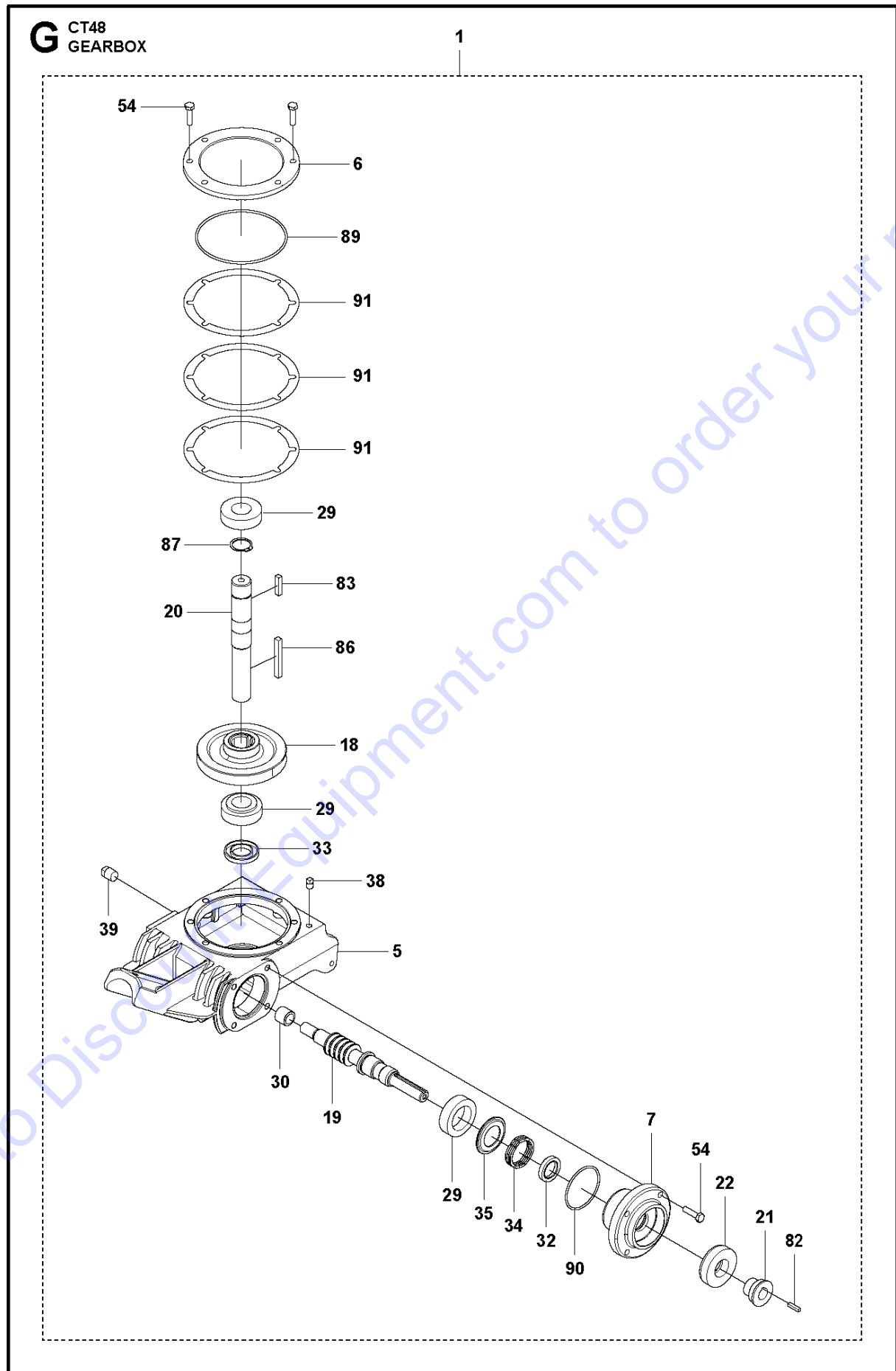
Go to Discount-Equipment.com to find your parts

**F** CT48  
BLADE ASSY



Ref	Part No	Description	Remark	QTY KIT	
1	536 01 79-01	UNIT		1	
8	599 41 81-01	KIT	Spider kit	1	1
9	599 04 07-01	RING		1	1
10	598 99 63-01	HOLDER		1	1
11	599 04 81-01	TUBE		2	1
12	599 00 07-01	YOKE		1	1
13	599 01 14-01	LINK		4	1
14	599 01 09-01	EXCENTER		4	1
27	598 98 72-01	BEARING		1	1
28	598 99 67-01	BEARING	6012 2NSE/C3	1	1
40	598 98 73-01	PLUG		1	1
41	599 17 66-01	FITTING	AM6 DIN 71412	4	1,8
43	599 16 31-01	PIN	Clevis pin 5/16"x1-1/2" Zn	2	1
44	599 16 86-01	PIN		1	1
45	521 97 35-39	ACCESSORIES	Cotter pin 1/8"x3/4" Zn	2	1
47	539 99 00-42	PIN	Cotter pin 1/8"x1-1/4" Zn	1	1
55	725 24 53-71	SCREW EHHM	M8x25 ISO 4017 8.8 A2K	1	1
57	599 16 59-01	SCREW	M8x45 ISO 4014 10.9	4	1
59	599 17 34-01	SCREW	M10x25 12.9	2	1
62	599 16 97-01	SCREW		4	1
64	574 89 20-05	BOLT	HHCS 5/16"-18UNCx1-3/4" GR5 Unplated	8	1
65	599 16 34-01	PLUG	PLUG-CAP #1,TAPERED,PLASTC,RE D	4	1
67	734 11 65-41	WASHER	M8 ISO 7093 ZPB	4	1
72	599 16 29-01	WASHER		1	1
88	599 16 23-01	RETAINER RING	D60 DIN 471	1	1
94	598 92 98-02	BLADE SET	48" Set of combo blades, 4 pcs.	1	1
95	599 41 48-01	MOUNT		4	1
188	576 82 31-01	WASHER		4	1,8
189	599 17 42-01	SCREW	M6x8 10.9 HX SOC	4	1,8

Go to Discount-Equipment.com to order your parts



## GEARBOX

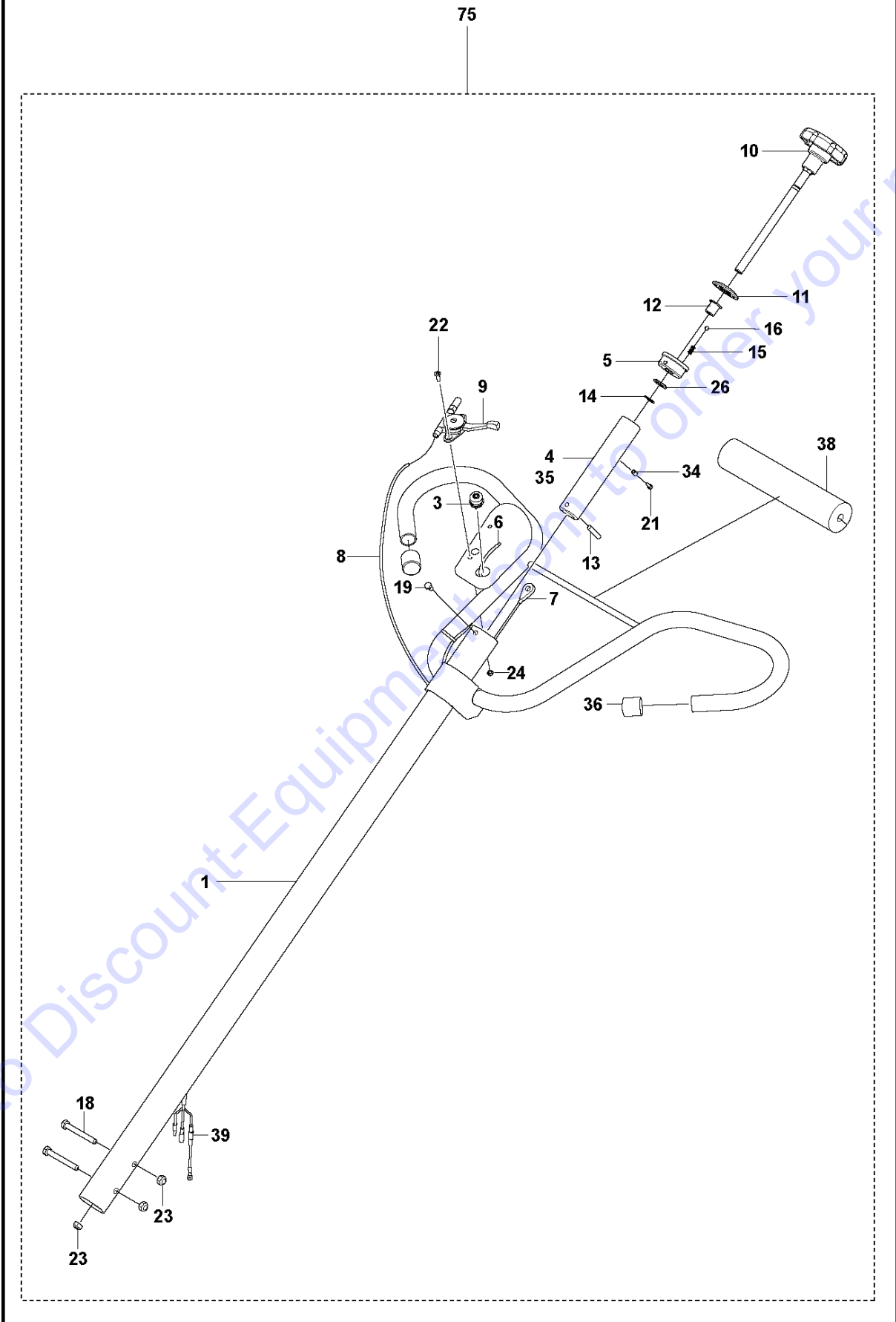
CT 48, 2021-12

Ref	Part No	Description	Remark	QTY	KIT
1	599 74 13-01	GEARBOX ASSY		1	
5	599 01 83-01	GEARBOX		1	1
6	598 99 84-01	COVER		1	1
7	599 00 80-01	COVER		1	1
18	599 00 16-01	GEAR		1	1
19	599 01 84-01	SHAFT		1	1
20	599 05 22-01	SHAFT		1	1
21	599 02 53-01	BRAKE		1	1
22	599 02 54-01	BRAKE		1	1
29	599 00 32-01	BEARING	32206	3	1
30	599 01 85-01	BEARING	HMK1720C	1	1
32	599 01 04-01	SEAL	28x40x7 VTF	1	1
33	599 01 05-01	SEAL	30x52x7 VTF	1	1
34	599 01 03-01	SPRING		1	1
35	599 00 31-01	SPACER		1	1
38	599 17 05-01	VALVE		1	1
39	599 17 10-01	PLUG		1	1
54	725 24 55-71	SCREW EHHM	M8x30 ISO 4017 8.8 ZPB	6	1
82	599 17 00-01	KEY	3/16"x3/16"x7/8"	1	1
83	599 17 01-01	KEY	7x8x33	1	1
86	599 16 69-01	KEY	7x8x70	1	1
87	599 17 65-01	RETAINER RING	D30 DIN 471	1	1
89	599 00 94-01	O-RING	133x3.53 NBR 70 Shore	1	1
90	599 01 86-01	O-RING	67x3 NBR 70 Shore	1	1
91	599 41 86-01	SHIM	Shim kit	1	1

Go to Discount-Equipment.com to order your parts



**H** CT48  
HANDLE WITH TWIST PITCH

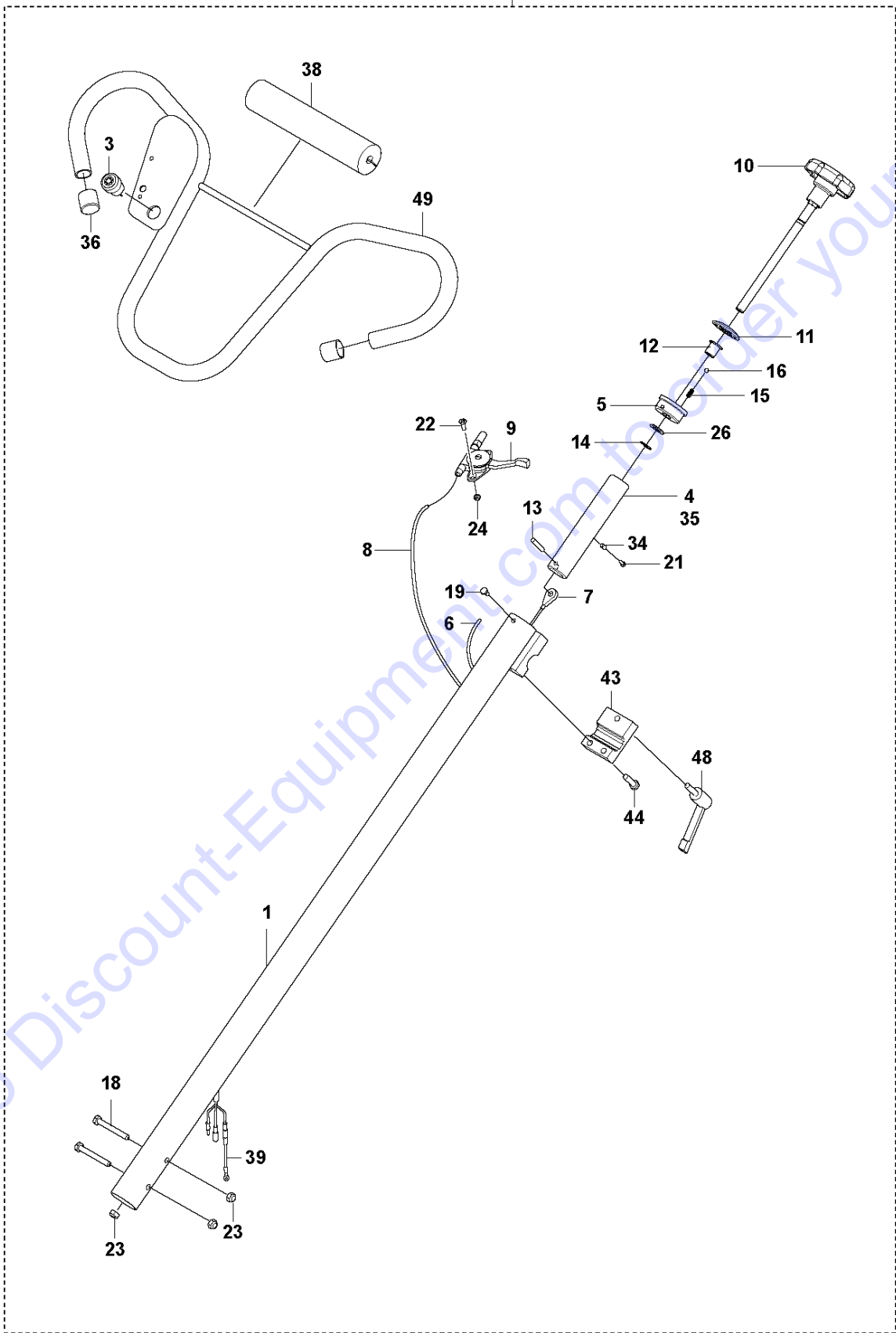


Ref	Part No	Description	Remark	QTY	KIT
1	599 08 66-01	HANDLE		1	75
3	599 08 70-01	SWITCH		1	75
4	599 03 79-01	NUT		1	75
5	599 00 28-01	HOLDER		1	75
6	599 08 69-01	HARNESS		1	75
7	599 00 26-01	CABLE	Pitch control cable	1	75
8	599 01 02-01	CABLE	Throttle cable	1	75
9	599 01 08-01	LEVER		1	75
10	599 12 50-01	KNOB		1	75
11	599 01 07-01	PLATE		1	75
12	599 00 29-01	BEARING		1	75
13	599 17 22-01	PIN	Roll-plain pin 1/4"x1-3/8"	1	75
14	599 16 88-01	RETAINER RING	D9 DIN 6799	1	75
15	599 00 41-01	SPRING		1	75
16	599 16 96-01	BALL		1	75
18	725 24 64-51	SCREW EHHM	M8x65 ISO 4014 8.8 ZPB	2	75
19	725 23 64-71	SCREW EHHM	M6x10 ISO 4017 8.8 ZPB	1	75
21	725 52 93-01	SCREW IHSCM	M4x16 ISO 4762 8.8 ZPB	1	75
22	599 17 72-01	SCREW	M5x16 ISO 7046 8.8 ZP	2	75
23	732 25 18-01	HEXAGON LOCKING NUT	M8 ISO 7040 8 ZPB	3	75
24	732 21 14-01	LOCK NUT	M5 ISO 10511 8	2	75
26	734 11 78-01	WASHER	M12 ISO 7089 200HV ZPB	1	75
34	599 03 93-01	SPACER		1	75
35	599 17 21-01	SLEEVE		1	75
36	599 04 05-01	CAP		2	75
38	599 03 85-01	PAD		1	75
39	599 02 75-01	WIRING		1	75
75	598 92 68-02	HANDLE	Complete T-Handle	1	75

Go to Discount-Equipment.com to buy your parts

**J** CT48  
HANDLE, ADJUSTABLE WITH TWIST PITCH

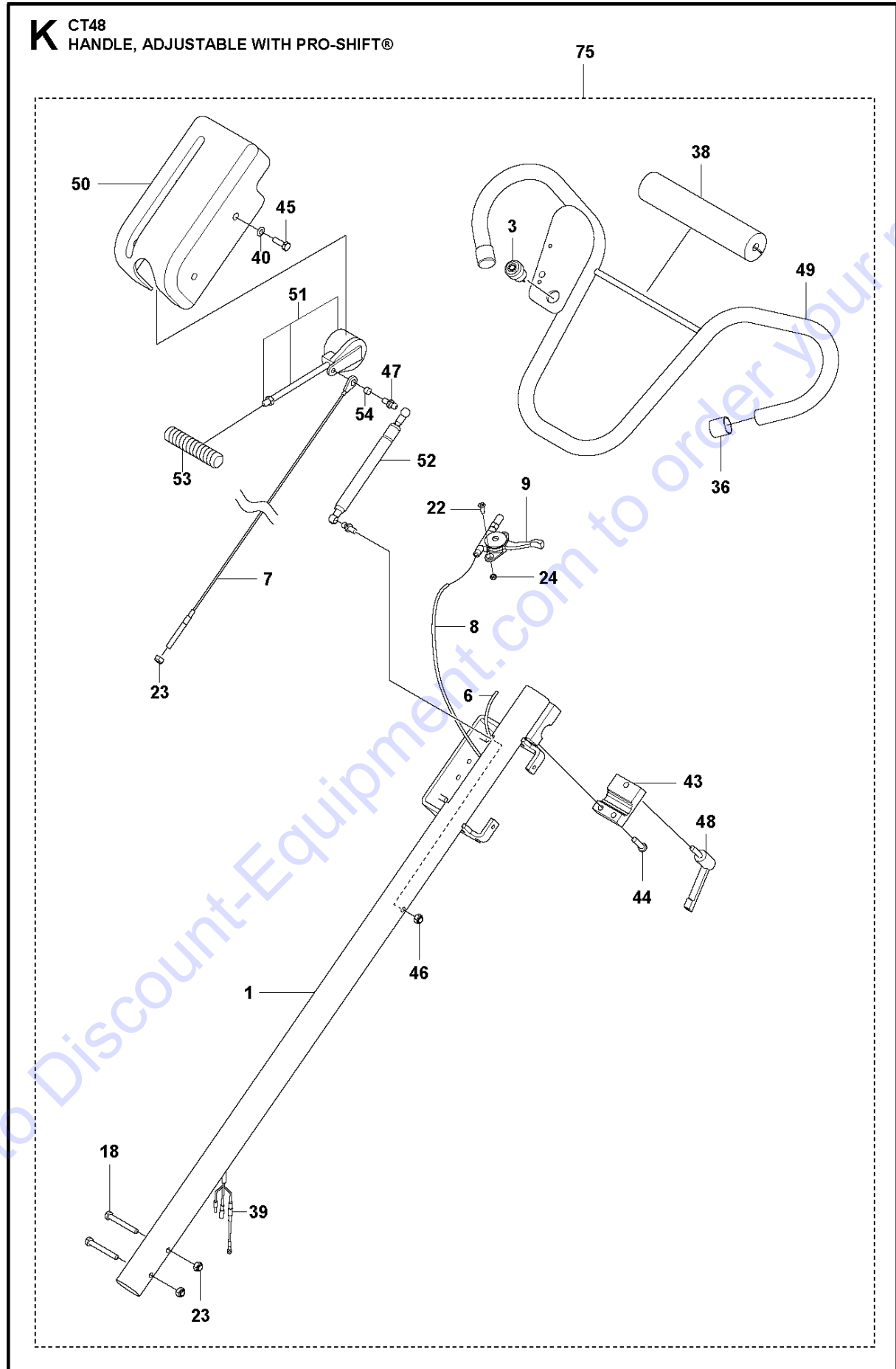
75



Go to Discount-Equipment.com to order your parts

Ref	Part No	Description	Remark	QTY	KIT
1	599 02 65-01	HANDLE		1	75
3	599 08 70-01	SWITCH		1	75
4	599 03 79-01	NUT		1	75
5	599 00 28-01	HOLDER		1	75
6	599 08 69-01	HARNESS		1	75
7	599 00 26-01	CABLE	Pitch control cable	1	75
8	599 01 02-01	CABLE	Throttle cable	1	75
9	599 01 08-01	LEVER		1	75
10	599 12 50-01	KNOB		1	75
11	599 01 07-01	PLATE		1	75
12	599 00 29-01	BEARING		1	75
13	599 17 22-01	PIN	Roll-plain pin 1/4"x1-3/8"	1	75
14	599 16 88-01	RETAINER RING	D9 DIN 6799	1	75
15	599 00 41-01	SPRING		1	75
16	599 16 96-01	BALL		1	75
18	725 24 64-51	SCREW EHHM	M8x65 ISO 4014 8.8 ZPB	2	
19	725 23 64-71	SCREW EHHM	M6x10 ISO 4017 8.8 ZPB	1	75
21	725 52 93-01	SCREW IHSCM	M4x16 ISO 4762 8.8 ZPB	1	75
22	599 17 72-01	SCREW	M5x16 ISO 7046 8.8 ZP	2	75
23	732 25 18-01	HEXAGON LOCKING NUT	M8 ISO 7040 8 ZPB	3	75
24	732 21 14-01	LOCK NUT	M5 ISO 10511 8	2	75
26	734 11 78-01	WASHER	M12 ISO 7089 200HV ZPB	1	75
34	599 03 93-01	SPACER		1	75
35	599 17 21-01	SLEEVE		1	75
36	599 04 05-01	CAP		2	75
38	599 03 85-01	PAD		1	75
39	599 02 75-01	WIRING		1	75
43	599 01 89-01	BLOCK		1	75
44	585 97 28-01	SCREW EHHFM	M8x30 EN 1665 8.8 ZPB	2	75, 8
48	599 03 07-01	HANDLE		1	75
49	599 08 65-01	HANDLE		1	75
75	598 92 68-08	HANDLE	Complete ADJ-T-Handle	1	75

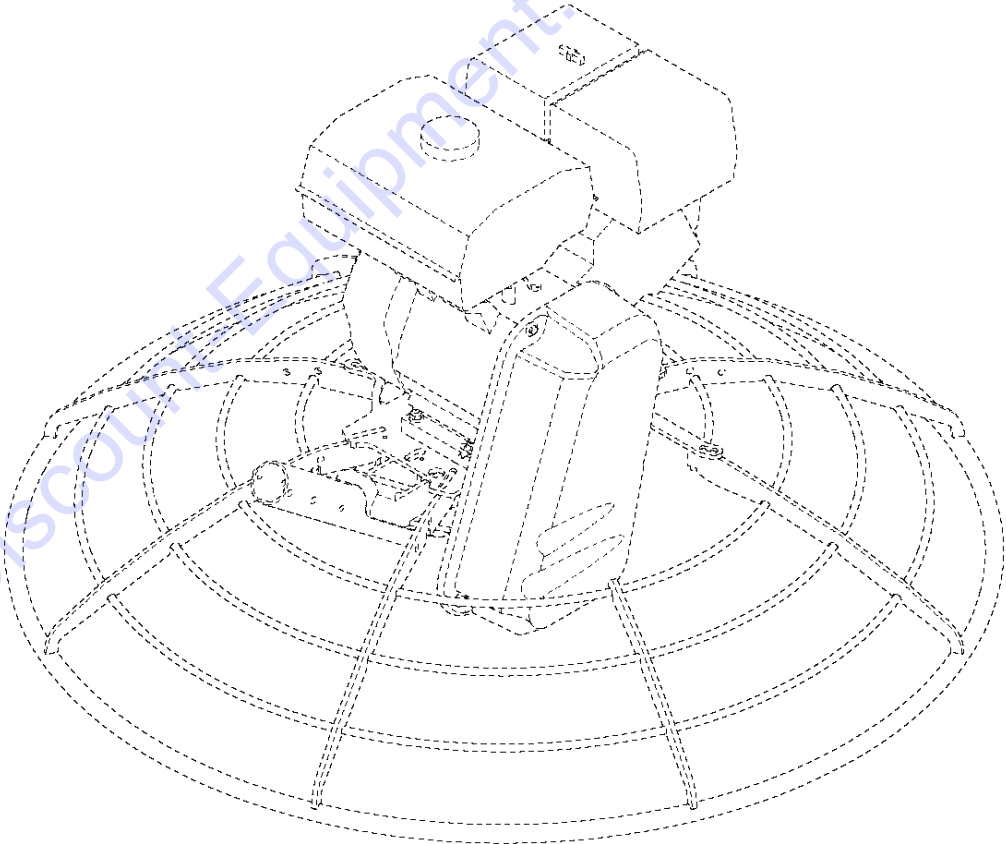
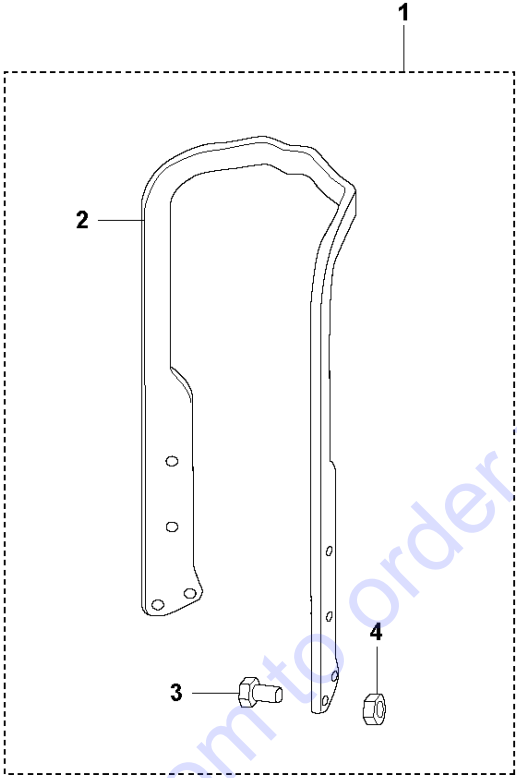
Go to Discount-Equipment.com to buy your parts



Ref	Part No	Description	Remark	QTY	KIT
1	599 02 30-01	HANDLE		1	75
3	599 08 70-01	SWITCH		1	75
6	599 08 69-01	HARNESS		1	75
7	599 20 87-01	CABLE	Pitch control cable	1	75
8	599 01 02-01	CABLE	Throttle cable	1	75
9	599 01 08-01	LEVER		1	75
18	725 24 64-51	SCREW EHHM	M8x65 ISO 4014 8.8 ZPB	2	75
22	599 17 72-01	SCREW	M5x16 ISO 7046 8.8 ZP	2	75
23	732 25 18-01	HEXAGON LOCKING NUT	M8 ISO 7040 8 ZPB	3	75
24	732 21 14-01	LOCK NUT	M5 ISO 10511 8	2	75
36	599 04 05-01	CAP		2	75
38	599 03 85-01	PAD		1	75
39	599 02 75-01	WIRING		1	75
40	734 11 63-01	WASHER	M8 ISO 7089 200HV ZPB	4	75
43	599 01 89-01	BLOCK		1	75
44	585 97 28-01	SCREW EHHFM	M8x30 EN 1665 8.8 ZPB	2	75
45	585 97 54-01	SCREW EHHFM	M8x20 EN 1665 8.8 ZPB	4	75
46	576 64 57-04	NUT FLANGE	M8 ISO 7043 8 FZB	1	75
47	599 16 87-01	STUD		2	75
48	599 03 07-01	HANDLE		1	75
49	599 08 65-01	HANDLE		1	75
50	599 20 90-01	COVER		1	75
51	599 20 88-01	CONTROL		1	75
52	599 01 64-01	SPRING		1	75
53	599 20 91-01	HANDLE		1	75
54	599 20 89-01	SPACER		1	75
75	598 92 68-12	HANDLE	Complete ADJ-P-Handle	1	75

Go to Discount-Equipment.com to order your parts

**L** CT48  
LIFT BRACKET KIT, LONG



Go to DiscountEquipment.com to order your parts

LIFTING BRACKET

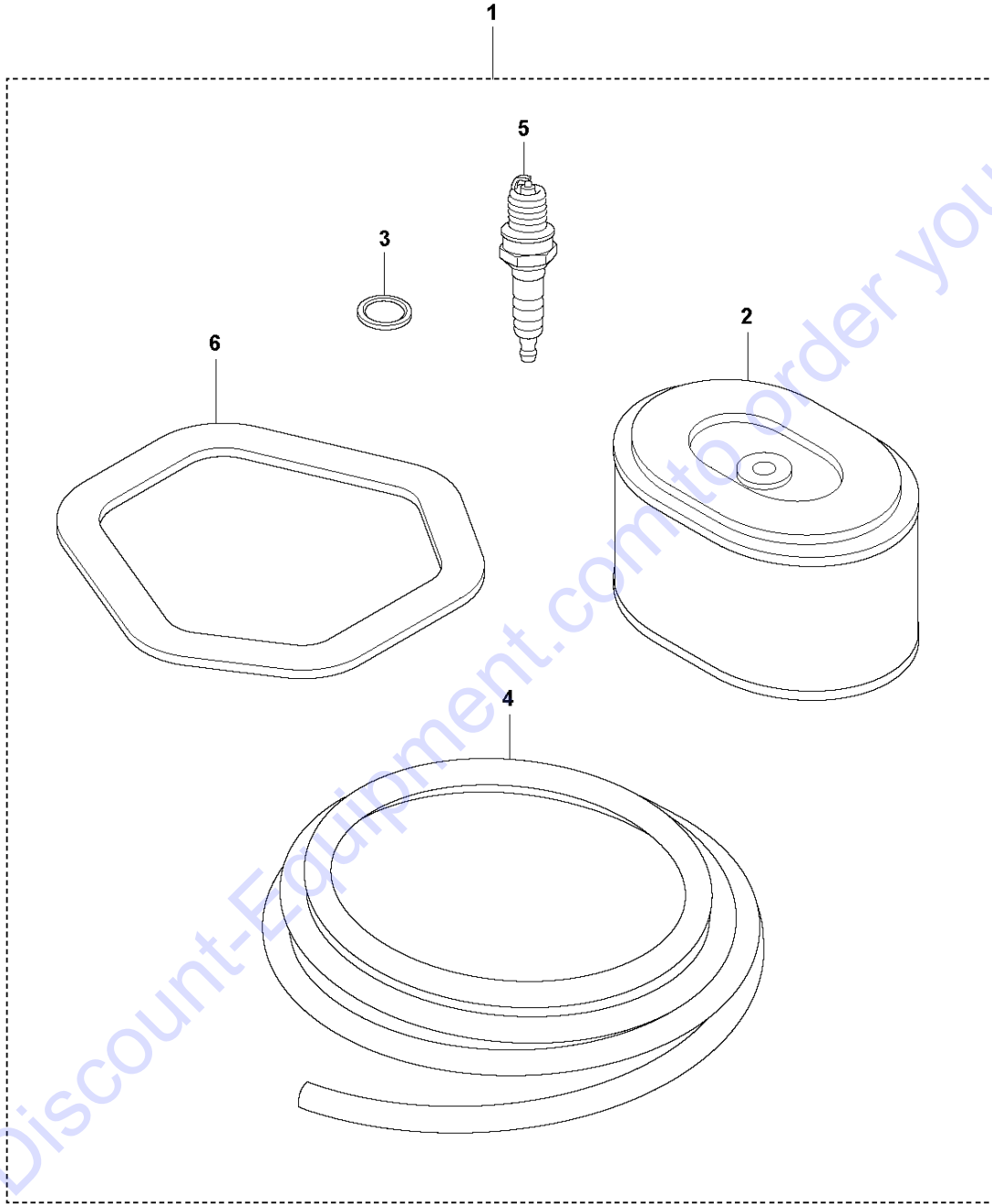
CT 48, 2021-12

Ref	Part No	Description	Remark	QTY KIT	
1	598 92 73-02	BRACKET		1	
2	599 22 78-01	BRACKET		1	1
3	725 24 55-71	SCREW EHHM	M8x30 ISO 4017 8.8 ZPB	4	1
4	732 25 18-01	HEXAGON LOCKING NUT	M8 ISO 7040 8 ZPB	4	1

Go to [Discount-Equipment.com](https://Discount-Equipment.com) to order your parts



**M** CT48  
SERVICE KIT - HONDA GX 240



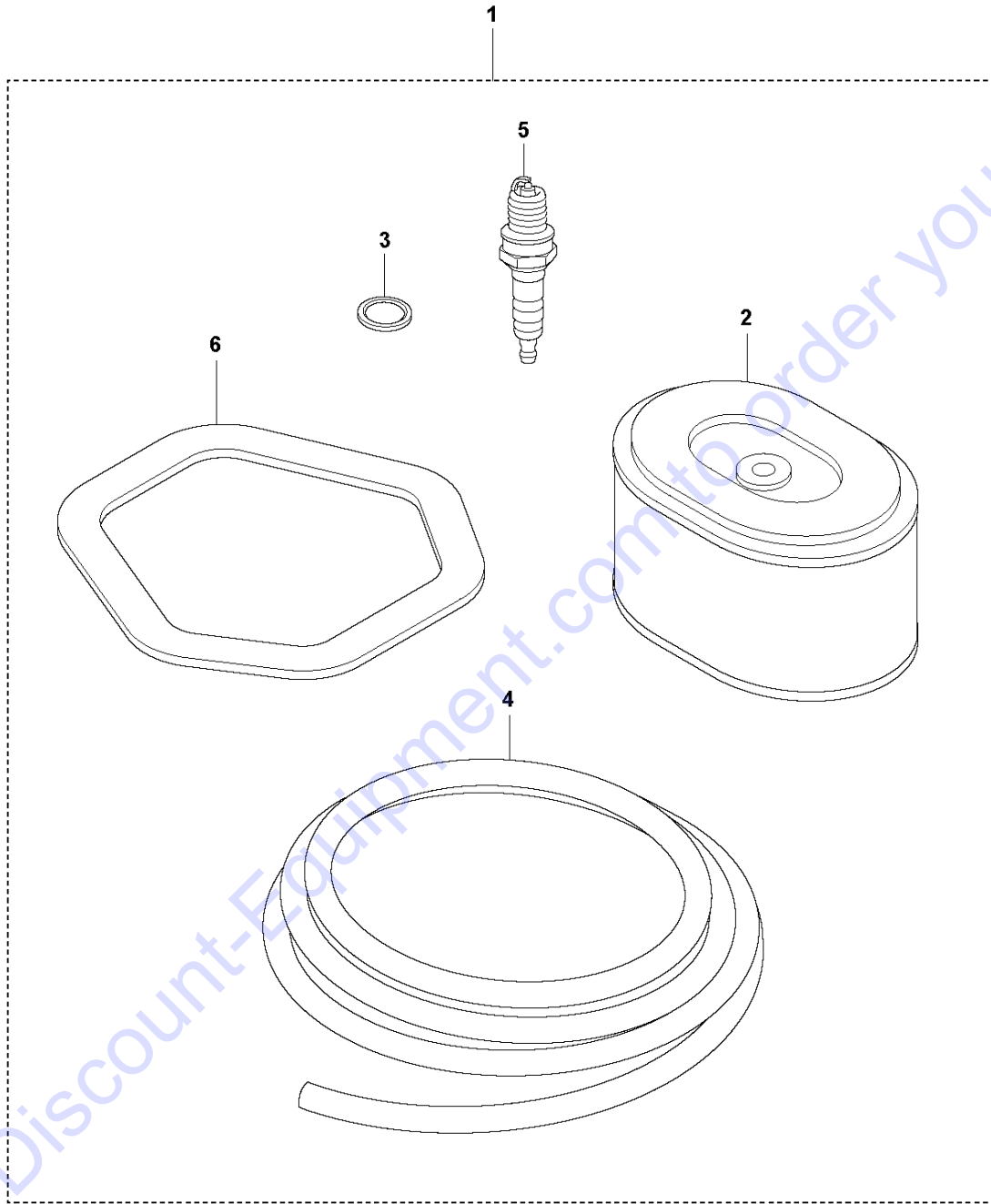
## SERVICE KIT

CT 48, 2021-12

Ref	Part No	Description	Remark	QTY	KIT
1	594 20 04-01	SERVICE KIT		1	
2	594 57 51-01	AIR FILTER		1	1
3	595 04 89-01	GASKET		1	1
4	595 04 91-01	ROPE		1	1
5	594 54 43-01	SPARK PLUG	BPR6ES (NGK)	1	1
6	594 76 03-01	GASKET		1	1

Go to [Discount-Equipment.com](https://Discount-Equipment.com) to order your parts

**N** CT48  
SERVICE KIT - HONDA GX 390



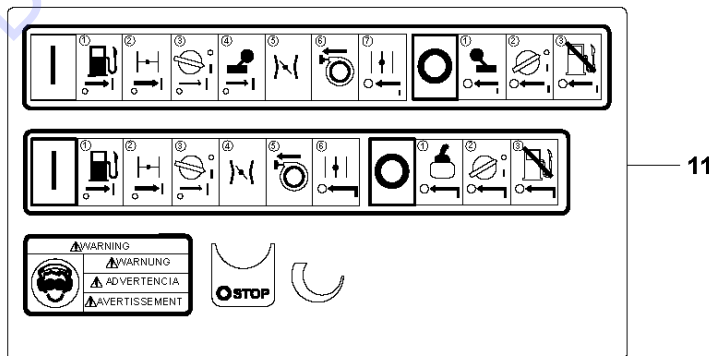
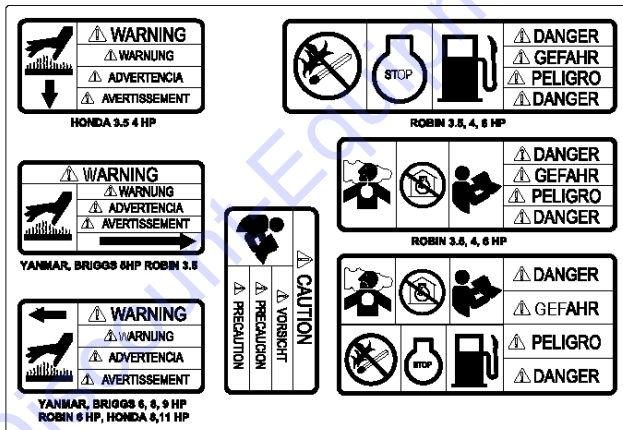
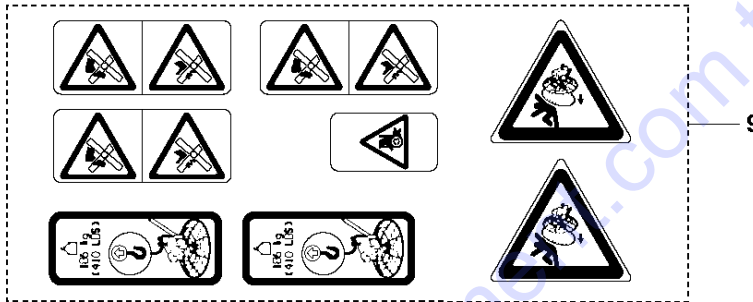
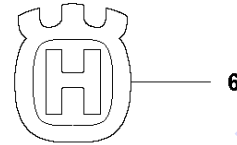
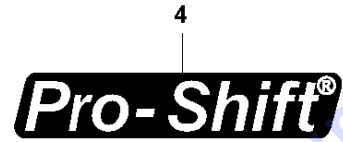
## SERVICE KIT

CT 48, 2021-12

Ref	Part No	Description	Remark	QTY	KIT
1	536 55 84-01	SERVICE KIT		1	
2	594 19 81-01	AIR FILTER		1	1
3	595 04 89-01	GASKET		1	1
4	594 76 04-01	STARTER ROPE		1	1
5	594 54 43-01	SPARK PLUG	BPR6ES (NGK)	1	1
6	594 76 03-01	GASKET		1	1

Go to [Discount-Equipment.com](https://Discount-Equipment.com) to order your parts

**P** CT48  
DECALS - US



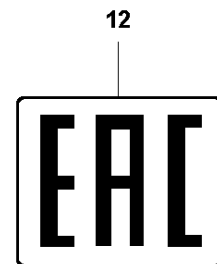
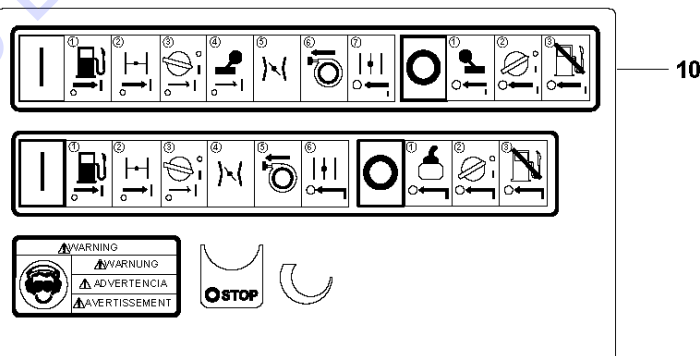
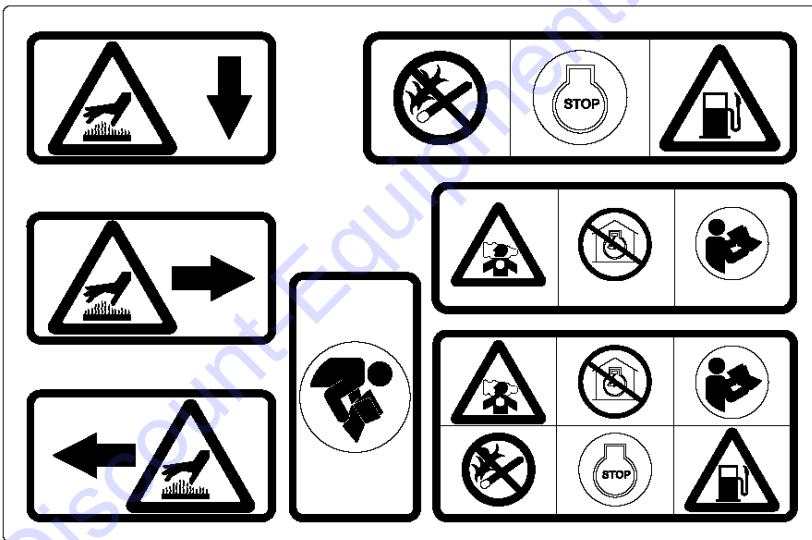
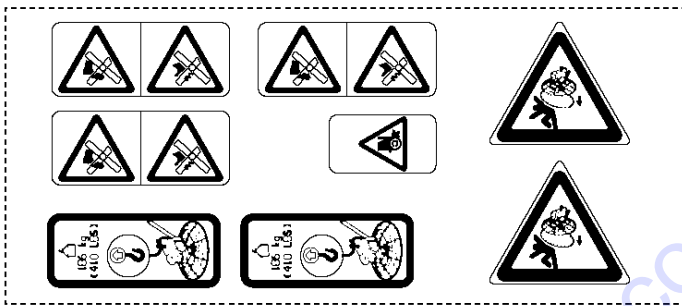
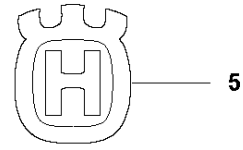
## DECALS

CT 48, 2021-12

Ref	Part No	Description	Remark	QTY KIT
1	599 07 25-01	LABEL	For GX240 engine	1
2	599 01 91-01	LABEL	For GX340 engine	1
3	599 01 88-01	LABEL	For GX390 engine	1
4	599 20 85-01	LABEL	For P-handle only	1
5	599 23 40-01	DECAL		1
6	599 23 41-01	DECAL		1
7	599 23 42-01	DECAL		1
8	599 23 45-01	DECAL		1
9	599 01 22-01	LABEL		1
10	598 99 38-01	LABEL		1
11	599 01 21-01	LABEL		1
12	599 96 36-01	LABEL		1

Go to [Discount-Equipment.com](http://Discount-Equipment.com) to order your parts

**P** CT48  
DECALS - EU



13

UK Importer: Husqvarna UK Limited  
Address: Preston road, Aycliffe  
Business Park Newton  
Aycliffe, County Durham  
UK DL5 6UP

## DECALS

CT 48, 2021-12

Ref	Part No	Description	Remark	QTY KIT
1	599 07 25-01	LABEL	For GX240 engine	1
2	599 01 91-01	LABEL	For GX340 engine	1
3	599 01 88-01	LABEL	For GX390 engine	1
4	599 23 40-01	DECAL		1
5	599 23 41-01	DECAL		1
6	599 23 42-01	DECAL		1
7	599 23 45-01	DECAL		1
8	599 05 14-01	LABEL		1
9	599 05 13-01	LABEL		1
10	599 20 93-01	LABEL		1
11	599 96 36-01	LABEL		1
12	588 06 16-01	DECAL		1
13	529 75 28-01	LABEL		1

Go to [Discount-Equipment.com](http://Discount-Equipment.com) to order your parts



# PARTS FINDER

**Search Website  
by Part Number**



**Search Manual  
Library For Parts  
Manual & Lookup Part  
Numbers – Purchase  
or Request Quote**

**Search Manuals**

Enter your information to help us find the right parts manual for your machine.

\* Brand:

\* Model:

\* Serial:

\* Part Number:

SEARCH

**Can't Find Part or  
Manual? Request Help  
by Manufacturer,  
Model & Description**

**Parts Order Form**

Please fill in the following information to help us find the right part for your machine.

Manufacturer:	<input type="text"/>
Model:	<input type="text"/>
Description:	<input type="text"/>
Part Number:	<input type="text"/>
Quantity:	<input type="text"/>
Notes:	<input type="text"/>

Submit

Discount-Equipment.com is your online resource for quality parts & equipment.

Florida: **561-964-4949** Outside Florida TOLL FREE: **877-690-3101**

**Need parts?**

Click on this link: <http://www.discount-equipment.com/category/5443-parts/> and choose one of the options to help get the right parts and equipment you are looking for. Please have the machine model and serial number available in order to help us get you the correct parts. If you don't find the part on the website or on one of the online manuals, please fill out the request form and one of our experienced staff members will get back to you with a quote for the right part that your machine needs.

We sell worldwide for the brands: Genie, Terex, JLG, MultiQuip, Mikasa, Essick, Whiteman, Mayco, Toro Stone, Diamond Products, Generac Magnum, Airman, Haulotte, Barreto, Power Blanket, Nifty Lift, Atlas Copco, Chicago Pneumatic, Allmand, Miller Curber, Skyjack, Lull, Skytrak, Tsurumi, Husquvarna Target, Stow, Wacker, Sakai, Mi-T-M, Sullair, Basic, Dynapac, MBW, Weber, Bartell, Bennar Newman, Haulotte, Ditch Runner, Menegotti, Morrison, Contec, Buddy, Crown, Edco, Wyco, Bomag, Laymor, EZ Trench, Bil-Jax, F.S. Curtis, Gehl Pavers, Heli, Honda, ICS/PowerGrit, IHI, Partner, Imer, Clipper, MMD, Koshin, Rice, CH&E, General Equipment, Amida, Coleman, NAC, Gradall, Square Shooter, Kent, Stanley, Tamco, Toku, Hatz, Kohler, Robin, Wisconsin, Northrock, Oztec, Toker TK, Rol-Air, APT, Wylie, Ingersoll Rand / Doosan, Innovatech, Con X, Ammann, Mecalac, Makinex, Smith Surface Prep, Small Line, Wanco, Yanmar