



**Count on it.**

**Parts Catalog**

**SGR-13**

**Stump Grinder**

Model No. 22615—Serial No. 407000000 and Up

Go to [DiscountEquipment.com](http://DiscountEquipment.com) to order your parts



[www.discount-equipment.com](http://www.discount-equipment.com)



# PARTS FINDER

**Search Website  
by Part Number**



**Search Manual  
Library For Parts  
Manual & Lookup Part  
Numbers – Purchase  
or Request Quote**

**Search Manuals**

Enter your information to help us find the right parts manual for your machine.

\* Brand:

\* Model:

\* Serial:

\* Part Number:

SEARCH

**Can't Find Part or  
Manual? Request Help  
by Manufacturer,  
Model & Description**

**Parts Order Form**

Please fill in the following information to help us find the right part for your machine.

Manufacturer:	<input type="text"/>
Model:	<input type="text"/>
Description:	<input type="text"/>
Part Number:	<input type="text"/>
Quantity:	<input type="text"/>
Notes:	<input type="text"/>

Discount-Equipment.com is your online resource for quality parts & equipment.

Florida: **561-964-4949** Outside Florida TOLL FREE: **877-690-3101**

**Need parts?**

Click on this link: <http://www.discount-equipment.com/category/5443-parts/> and choose one of the options to help get the right parts and equipment you are looking for. Please have the machine model and serial number available in order to help us get you the correct parts. If you don't find the part on the website or on one of the online manuals, please fill out the request form and one of our experienced staff members will get back to you with a quote for the right part that your machine needs.

We sell worldwide for the brands: Genie, Terex, JLG, MultiQuip, Mikasa, Essick, Whiteman, Mayco, Toro Stone, Diamond Products, Generac Magnum, Airman, Haulotte, Barreto, Power Blanket, Nifty Lift, Atlas Copco, Chicago Pneumatic, Allmand, Miller Curber, Skyjack, Lull, Skytrak, Tsurumi, Husquvarna Target, Stow, Wacker, Sakai, Mi-T-M, Sullair, Basic, Dynapac, MBW, Weber, Bartell, Bennar Newman, Haulotte, Ditch Runner, Menegotti, Morrison, Contec, Buddy, Crown, Edco, Wyco, Bomag, Laymor, EZ Trench, Bil-Jax, F.S. Curtis, Gehl Pavers, Heli, Honda, ICS/PowerGrit, IHI, Partner, Imer, Clipper, MMD, Koshin, Rice, CH&E, General Equipment, Amida, Coleman, NAC, Gradall, Square Shooter, Kent, Stanley, Tamco, Toku, Hatz, Kohler, Robin, Wisconsin, Northrock, Oztec, Toker TK, Rol-Air, APT, Wylie, Ingersoll Rand / Doosan, Innovatech, Con X, Ammann, Mecalac, Makinex, Smith Surface Prep, Small Line, Wanco, Yanmar

# Ordering Replacement Parts

To order replacement parts, please supply the part number, the quantity, and the description of each part desired.

## Understanding Reference Numbers

Each identified part in an illustration has a reference number. The reference number for a part also appears in the parts list, along with other information about the part.

This catalog uses two special reference number formats, one to indicate parts in a service assembly and another to indicate the quantity of a given part in an illustration.

## Service Assembly Reference Numbers

Parts in service assemblies have reference numbers in the form a:b. The a represents the reference number of the entire service assembly and the b represents a sequential number unique to each part within the service assembly.

For example, a wheel assembly might be identified by reference number 6, the tire by 6:1, the valve by 6:2, and the wheel by 6:3. When you order the assembly identified by reference number 6, you receive all parts identified by reference numbers 6:1, 6:2, and 6:3. However, you may also order any part individually. Reference numbers of this type appear in illustration and in parts lists.

## Reference Numbers Indicating Quantity

In an illustration, if a reference number indicates more than one part, the reference number has the form nX y. The n represents the quantity of the part, the X is the multiplication symbol, and the y represents the reference number.

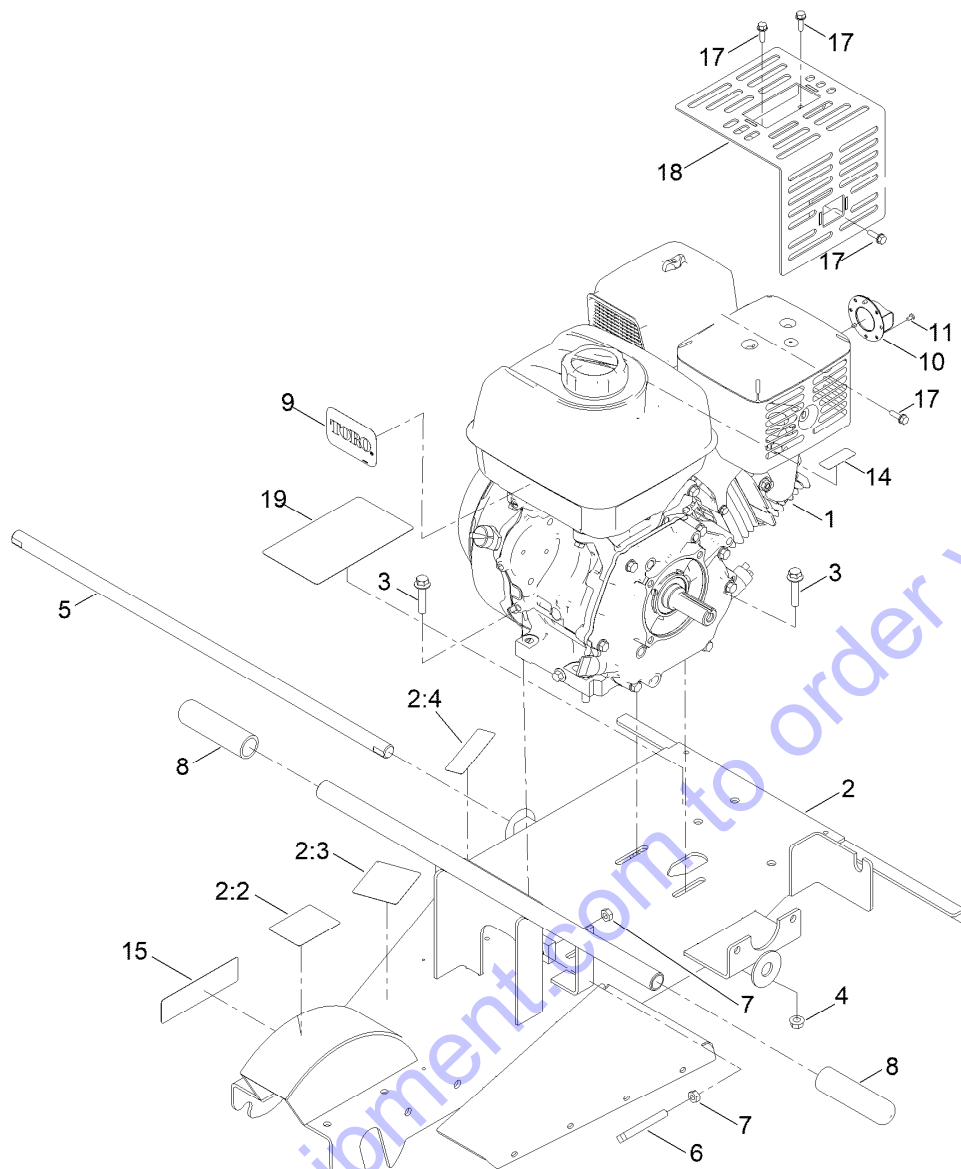
For example, in an illustration, the reference number 2X 37 means that two of the parts identified by reference number 37 are indicated.

Go to Discount-Equipment.com to order your parts

# Contents

Engine and Frame Assembly .....	4
Handle Assembly .....	5
Brake Lever Assembly No. 120-1797 .....	6
Cutter Wheel Assembly .....	7
Wheel and Brake Assembly .....	8
Flap Assembly .....	9
Belt Drive Assembly .....	10
Attachments and Accessories .....	11

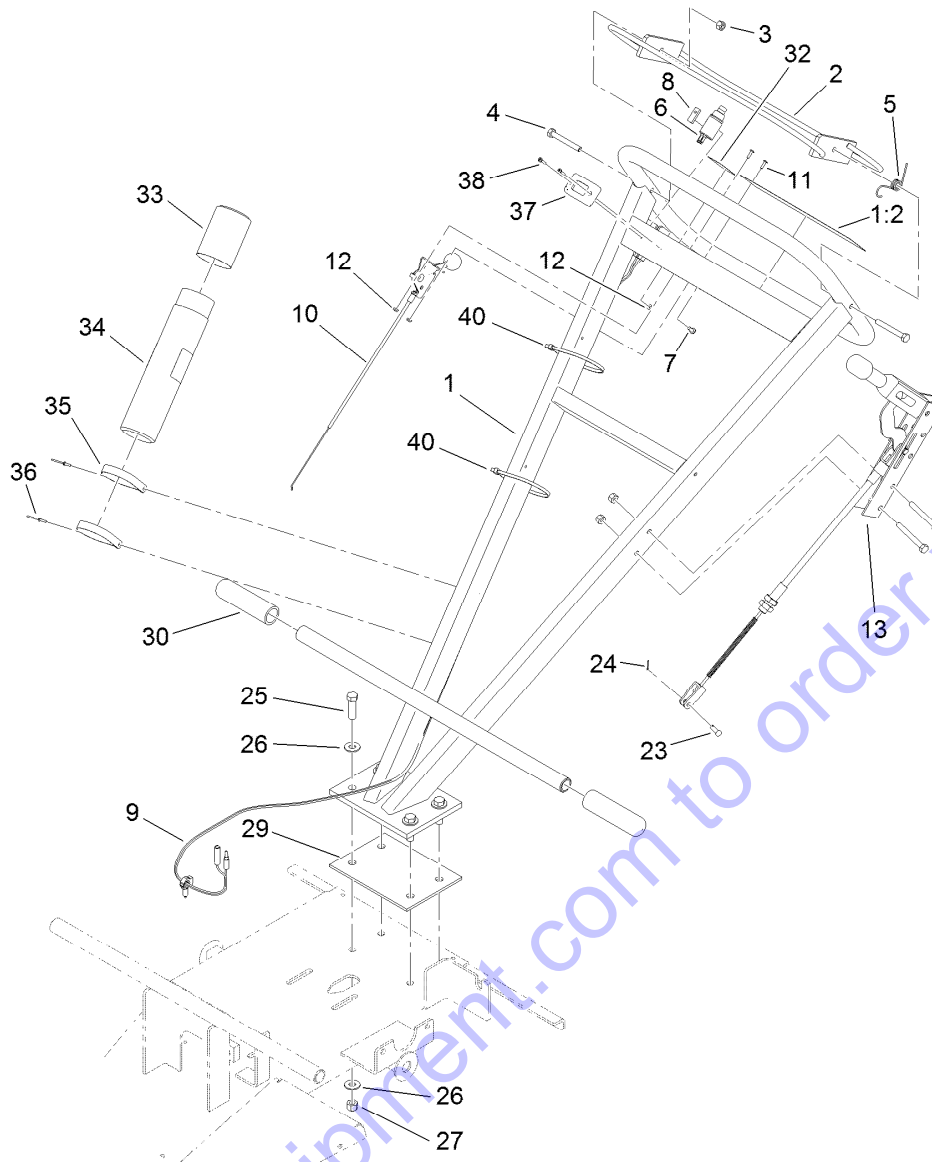
Go to [Discount-Equipment.com](http://Discount-Equipment.com) to order your parts



## Engine and Frame Assembly

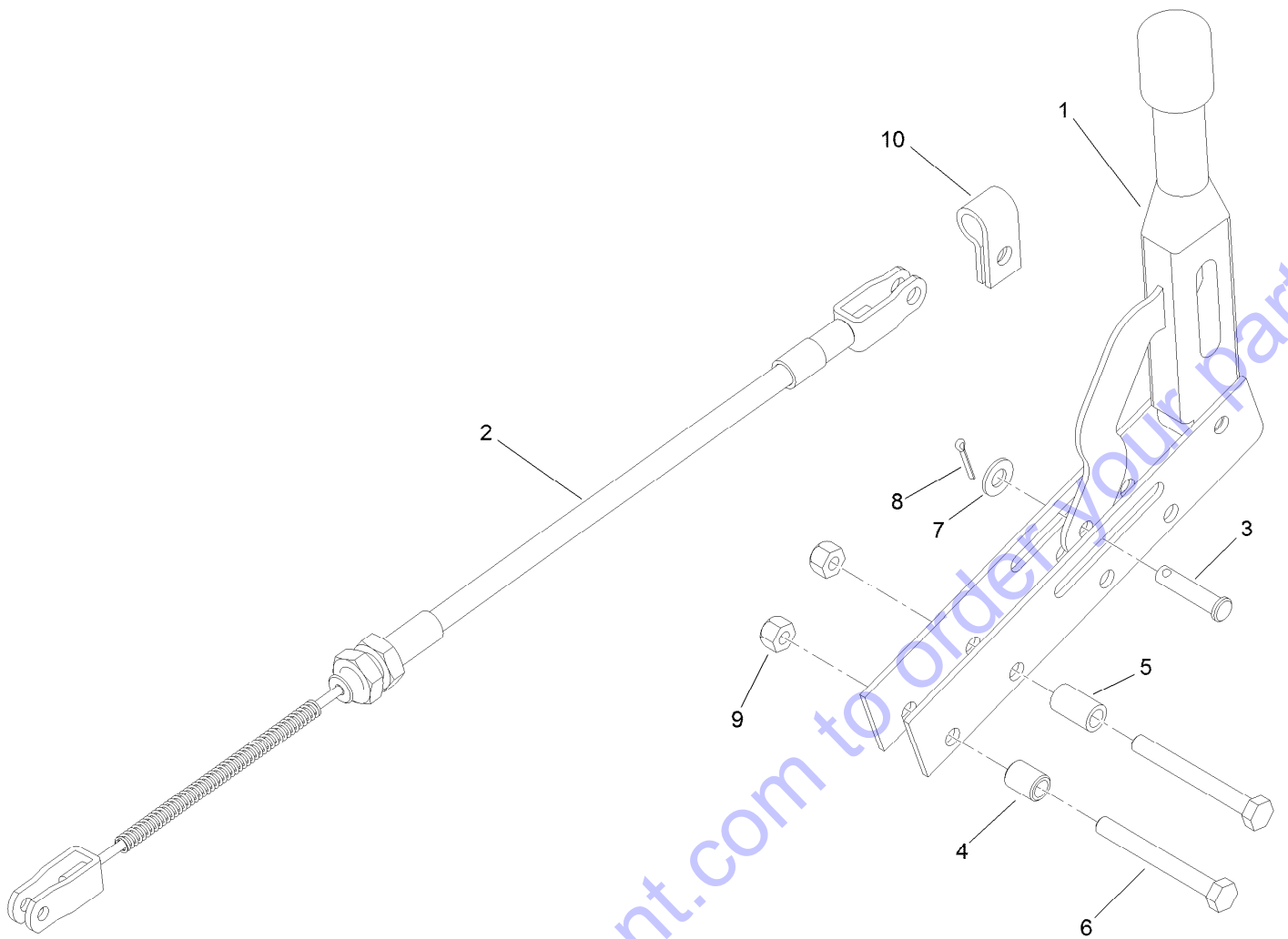
Ref.	Part Number	Qty.	Description	Ref.	Part Number	Qty.	Description
1		1	Engine-Honda, Gx390 ●	8	120-1333	2	Grip-Handle
2	132-3984	1	Frame ASM	9	99-2385	1	Decal
2:2	119-4690	1	Decal-Danger	10	120-1886	1	Deflector-Exhaust, Honda
2:3	119-4693	1	Decal-Caution	11	125-0519	3	Screw-Self Tapping
2:4	133-8062	1	Decal-Arrestor, Spark	14	130-8322	1	Decal-Warning, Ethanol
3	3234-19	4	Screw-HHF	15	132-4004	1	Decal-Rotate Tooth
4	32128-21	4	Nut-HF Lock	17	110-3986	3	Screw
5	120-1252	1	Bar-Axle	18	136-4566-03	1	Guard-Muffler
6	119-4729	1	Screw-Set, SQH	19	137-4871	1	Decal-Service
7	3217-7	2	Nut-Hex				

● Not serviced separately



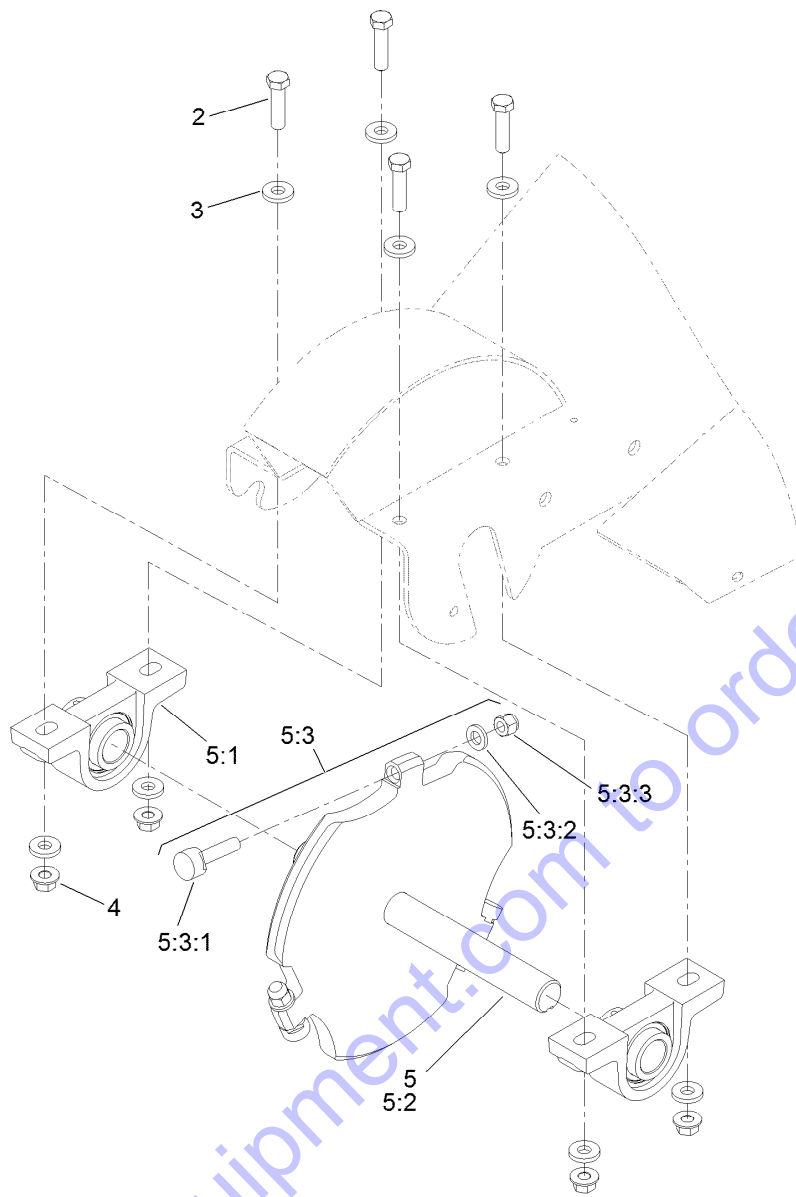
## Handle Assembly

Ref.	Part Number	Qty.	Description	Ref.	Part Number	Qty.	Description
1	121-4391	1	Handle ASM	23	1-808265	1	Pin-Clevis
1:2	119-4701	1	Decal-Warning	24	3272-1	1	Pin-Cotter
2	119-4711-01	1	Handle-Safety	25	324-6	4	Screw-HH
3	3296-29	2	Nut-Lock, NI	26	3256-4	8	Washer-Flat
4	322-12	2	Screw-HH	27	3296-48	4	Nut-Hex
5	120-1291	1	Spring-Return	29	120-1248	1	Gasket-Handle
6	120-1803	1	Switch-Plunger, No (W/Cover)	30	120-1333	2	Grip-Handle
7	1-803071	2	Screw	32	119-4721	1	Decal-Engage
8	1-633181	1	Plate-Tapped	33	104-7048	1	Cap-Housing
9	120-1823	1	Harness-Wire	34	104-7050	1	Tube-Manual
10	120-1285	1	Cable-Throttle	35	2412-120	2	Clamp-R
11	3249-3	2	Screw-PRH	36	3269-17	2	Rivet-Pop
12	3296-9	2	Nut-Hex	37	120-1218	1	Hourmeter-Inductive
13	120-1797	1	Brake Lever ASM	38	3250-39	2	Screw-PPH
				40	3290-379	2	Tie-Cable



## Brake Lever Assembly No. 120-1797

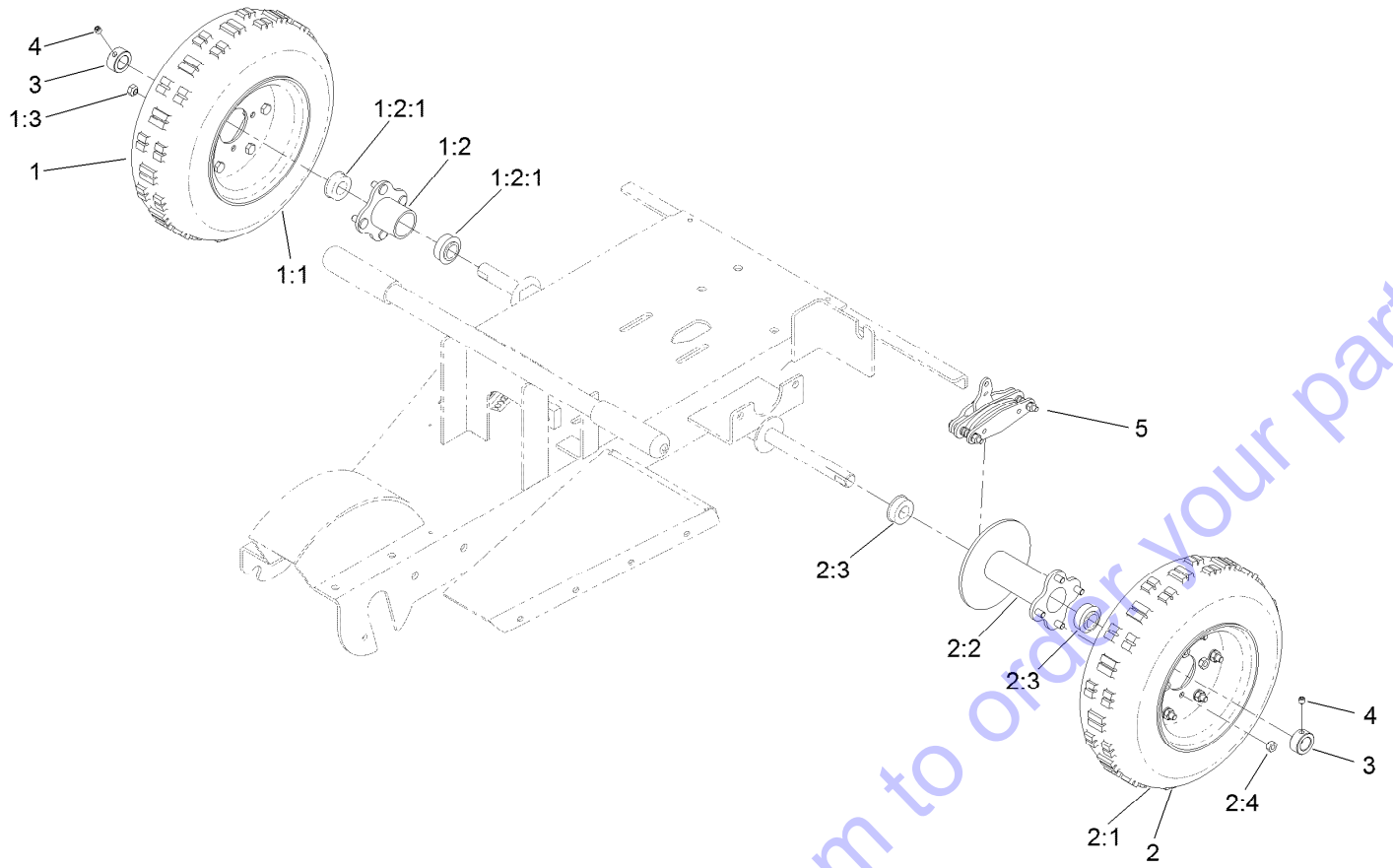
Ref.	Part Number	Qty.	Description
1	120-1219	1	Lever-Brake
2	120-1286	1	Cable-Brake
3	283-14	1	Pin-Clevis
4	88-7450	1	Spacer-Lever, Control
5	115-0826	1	Spacer-Idler
6	322-13	2	Screw-HH
7	3256-23	1	Washer-Plain
8	3272-6	1	Pin-Cotter
9	3296-29	2	Nut-Lock, NI
10	120-1798	1	Clamp-Conduit



## Cutter Wheel Assembly

Ref.	Part Number	Qty.	Description
2	3211-41	4	Screw-HH
3	71-9310	8	Spacer
4	127-6852	4	Nut-Flange, Lock
5	136-1441	1	Wheel And Bearings Kit
5:1	120-1211	2	Bearing ASM
5:2	132-3991	1	3 Tooth Wheel/Shaft
5:3	132-4007	1	Grinder Tooth Kit (3-Pack)
5:3:1	130-2224	3	Tooth-Grinder
5:3:2	107-1413	3	Washer-Hardened
5:3:3	112-0236	3	Nut-Lock

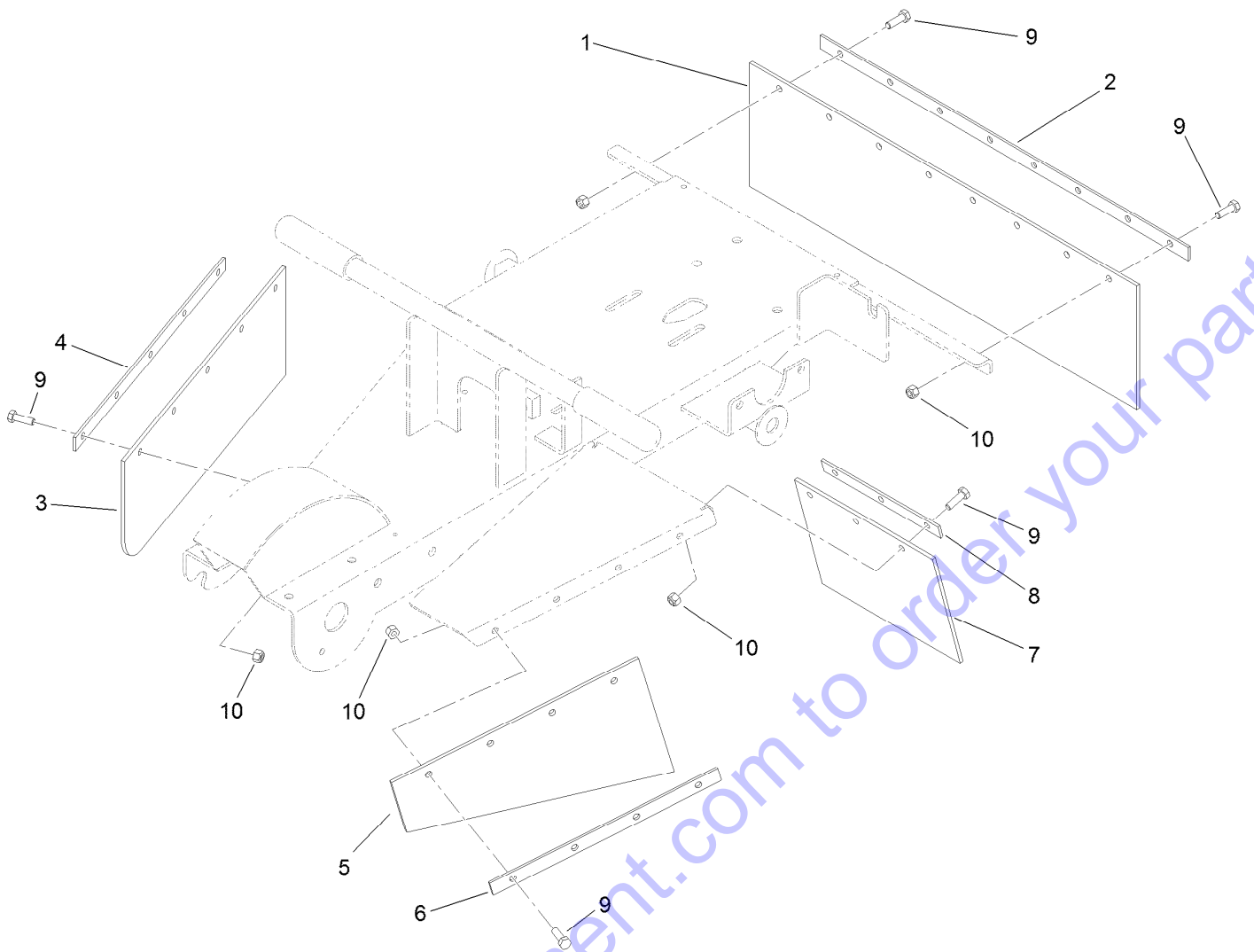




## Wheel and Brake Assembly

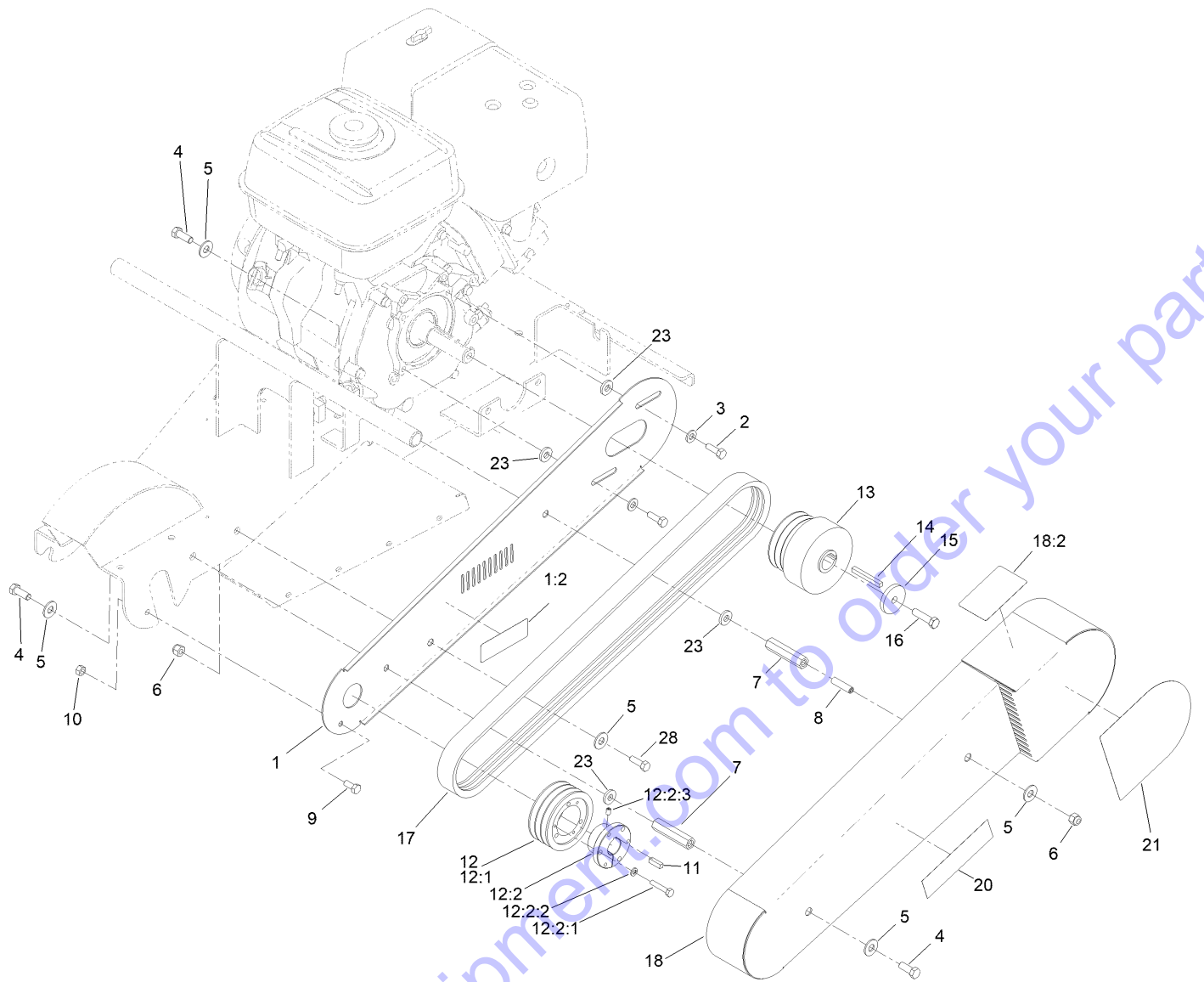
Ref.	Part Number	Qty.	Description
1	120-1216	1	Tire ASM (W/ Hub)
1:1	120-1287	1	Tire ASM
1:2	120-1295	1	Hub
1:2:1	120-1296	2	Bearing-Wheel
1:3	120-1304	4	Nut-Wheel
2	120-1214	1	Tire ASM (W/ Hub And Brake)
2:1	120-1287	1	Tire ASM
2:2	120-1297	1	Hub
2:3	120-1296	2	Bearing-Wheel
2:4	120-1304	4	Nut-Wheel
3	120-1294	2	Collar-Set
4	3246-2	2	Screw-Set, HSH ●
5	120-1773	1	Brake-Caliper

● Use Pro-Lock retaining type, Part no. 1-840023 (.5cc tube) on threads.



## Flap Assembly

Ref.	Part Number	Qty.	Description
1	120-1236	1	Flap-Rear
2	120-1238-01	1	Plate-Mounting, Flap
3	120-1240	1	Flap-RH
4	120-1241-01	1	Bracket-Support, Flap (RH)
5	120-1242	1	Flap-LH
6	120-1243-01	1	Bracket-Support, Flap (LH)
7	120-1244	1	Flap-Small
8	120-1246-01	1	Bracket-Support, Flap
9	322-5	20	Screw-HH
10	3296-29	20	Nut-Lock, NI



## Belt Drive Assembly

Ref.	Part Number	Qty.	Description
1	121-4413	1	Plate-Guard
1:2	117-4979	1	Decal-Warning
2	131-5919	2	Screw-HH, Patch
3	3256-38	2	Washer-Flat
4	323-6	3	Screw-HH
5	3256-4	4	Washer-Flat
6	3296-39	2	Nut-Lock, NI
7	120-1234	2	Spacer-Guard
8	3247-8	1	Screw-Set, HSH
9	322-3	1	Screw-HH
10	3217-6	1	Nut-Hex
11	10-7070	1	Key-Square
12	120-1298	1	Sheave ASM
12:1	95-0883	1	Pulley
12:2	61-3340	1	Bushing

Ref.	Part Number	Qty.	Description
12:2:1	321-13	3	Screw-HH
12:2:2	3253-2	3	Washer-Lock
12:2:3	3245-2	1	Screw-Set, HSH
13	120-1204	1	Clutch
14	63-8150	1	Key-Square
15	110-9981	1	Washer-Plain
16	3211-6	1	Screw-HH ●
17	120-1203	1	Belt-3V
18	121-4414	1	Belt Guard ASM
18:2	119-4692	1	Decal-Caution
20	120-1816	1	Decal
21	119-4724	1	Decal
23	43-0940	4	Spacer
28	126-4246	1	Screw-HH

● Use Pro-Lock retaining type, Part no. 1-840023 (.5cc tube) on threads.

# Attachments and Accessories

## For 22615 SGR-13 Stump Grinder

Product Name	Model/Part
Wheel Tooth Kit.....	132-4006
3-Pack Wheel Tooth Kit.....	132-4007
6-Pack Wheel Tooth Kit.....	132-4008

## For 22615 SGR-13 Stump Grinder

Product Name	Model/Part
Wheel Tooth Kit.....	132-4006
3-Pack Wheel Tooth Kit.....	132-4007
6-Pack Wheel Tooth Kit.....	132-4008
New Red Paint - Gallon .....	361-11
Semi-Gloss Black Spray Paint.....	361-9

Go to Discount-Equipment.com to order your parts

# PARTS FINDER

**Search Website  
by Part Number**



**Search Manual  
Library For Parts  
Manual & Lookup Part  
Numbers – Purchase  
or Request Quote**

**Search Manuals**

Enter your information to help us find the right parts manual for your machine.

\* Brand:

\* Model:

\* Serial:

\* Part Number:

SEARCH

**Can't Find Part or  
Manual? Request Help  
by Manufacturer,  
Model & Description**

**Parts Order Form**

Please fill in the following information to help us find the right part for your machine.

Manufacturer:	<input type="text"/>
Model:	<input type="text"/>
Description:	<input type="text"/>
Part Number:	<input type="text"/>
Quantity:	<input type="text"/>
Notes:	<input type="text"/>

Submit

Discount-Equipment.com is your online resource for quality parts & equipment.

Florida: **561-964-4949** Outside Florida TOLL FREE: **877-690-3101**

**Need parts?**

Click on this link: <http://www.discount-equipment.com/category/5443-parts/> and choose one of the options to help get the right parts and equipment you are looking for. Please have the machine model and serial number available in order to help us get you the correct parts. If you don't find the part on the website or on one of the online manuals, please fill out the request form and one of our experienced staff members will get back to you with a quote for the right part that your machine needs.

We sell worldwide for the brands: Genie, Terex, JLG, MultiQuip, Mikasa, Essick, Whiteman, Mayco, Toro Stone, Diamond Products, Generac Magnum, Airman, Haulotte, Barreto, Power Blanket, Nifty Lift, Atlas Copco, Chicago Pneumatic, Allmand, Miller Curber, Skyjack, Lull, Skytrak, Tsurumi, Husquvarna Target, Stow, Wacker, Sakai, Mi-T-M, Sullair, Basic, Dynapac, MBW, Weber, Bartell, Bennar Newman, Haulotte, Ditch Runner, Menegotti, Morrison, Contec, Buddy, Crown, Edco, Wyco, Bomag, Laymor, EZ Trench, Bil-Jax, F.S. Curtis, Gehl Pavers, Heli, Honda, ICS/PowerGrit, IHI, Partner, Imer, Clipper, MMD, Koshin, Rice, CH&E, General Equipment, Amida, Coleman, NAC, Gradall, Square Shooter, Kent, Stanley, Tamco, Toku, Hatz, Kohler, Robin, Wisconsin, Northrock, Oztec, Toker TK, Rol-Air, APT, Wylie, Ingersoll Rand / Doosan, Innovatech, Con X, Ammann, Mecalac, Makinex, Smith Surface Prep, Small Line, Wanco, Yanmar



**Count on it.**



[www.discount-equipment.com](http://www.discount-equipment.com)

Go to [Discount-Equipment.com](http://Discount-Equipment.com) to order your parts