



Count on it.

Parts Catalog

**SGR-6
Stump Grinder**

Model No. 22600—Serial No. 404320000 and Up

Go to Discount-Equipment.com to order your parts



PARTS FINDER

**Search Website
by Part Number**



**Search Manual
Library For Parts
Manual & Lookup Part
Numbers – Purchase
or Request Quote**

Search Manuals

Enter your information to help us find the right parts manual for your machine.

* Brand:

* Model:

* Serial:

* Part Number:

SEARCH

**Can't Find Part or
Manual? Request Help
by Manufacturer,
Model & Description**

Parts Order Form

Please fill in the following information to help us find the right part for your machine.

Manufacturer:	<input type="text"/>
Model:	<input type="text"/>
Description:	<input type="text"/>
Part Number:	<input type="text"/>
Quantity:	<input type="text"/>
Notes:	<input type="text"/>

Submit

Discount-Equipment.com is your online resource for quality parts & equipment.

Florida: **561-964-4949** Outside Florida TOLL FREE: **877-690-3101**

Need parts?

Click on this link: <http://www.discount-equipment.com/category/5443-parts/> and choose one of the options to help get the right parts and equipment you are looking for. Please have the machine model and serial number available in order to help us get you the correct parts. If you don't find the part on the website or on one of the online manuals, please fill out the request form and one of our experienced staff members will get back to you with a quote for the right part that your machine needs.

We sell worldwide for the brands: Genie, Terex, JLG, MultiQuip, Mikasa, Essick, Whiteman, Mayco, Toro Stone, Diamond Products, Generac Magnum, Airman, Haulotte, Barreto, Power Blanket, Nifty Lift, Atlas Copco, Chicago Pneumatic, Allmand, Miller Curber, Skyjack, Lull, Skytrak, Tsurumi, Husquvarna Target, Stow, Wacker, Sakai, Mi-T-M, Sullair, Basic, Dynapac, MBW, Weber, Bartell, Bennar Newman, Haulotte, Ditch Runner, Menegotti, Morrison, Contec, Buddy, Crown, Edco, Wyco, Bomag, Laymor, EZ Trench, Bil-Jax, F.S. Curtis, Gehl Pavers, Heli, Honda, ICS/PowerGrit, IHI, Partner, Imer, Clipper, MMD, Koshin, Rice, CH&E, General Equipment, Amida, Coleman, NAC, Gradall, Square Shooter, Kent, Stanley, Tamco, Toku, Hatz, Kohler, Robin, Wisconsin, Northrock, Oztec, Toker TK, Rol-Air, APT, Wylie, Ingersoll Rand / Doosan, Innovatech, Con X, Ammann, Mecalac, Makinex, Smith Surface Prep, Small Line, Wanco, Yanmar

Ordering Replacement Parts

To order replacement parts, please supply the part number, the quantity, and the description of each part desired.

Understanding Reference Numbers

Each identified part in an illustration has a reference number. The reference number for a part also appears in the parts list, along with other information about the part.

This catalog uses two special reference number formats, one to indicate parts in a service assembly and another to indicate the quantity of a given part in an illustration.

Service Assembly Reference Numbers

Parts in service assemblies have reference numbers in the form a:b. The a represents the reference number of the entire service assembly and the b represents a sequential number unique to each part within the service assembly.

For example, a wheel assembly might be identified by reference number 6, the tire by 6:1, the valve by 6:2, and the wheel by 6:3. When you order the assembly identified by reference number 6, you receive all parts identified by reference numbers 6:1, 6:2, and 6:3. However, you may also order any part individually. Reference numbers of this type appear in illustration and in parts lists.

Reference Numbers Indicating Quantity

In an illustration, if a reference number indicates more than one part, the reference number has the form nX y. The n represents the quantity of the part, the X is the multiplication symbol, and the y represents the reference number.

For example, in an illustration, the reference number 2X 37 means that two of the parts identified by reference number 37 are indicated.

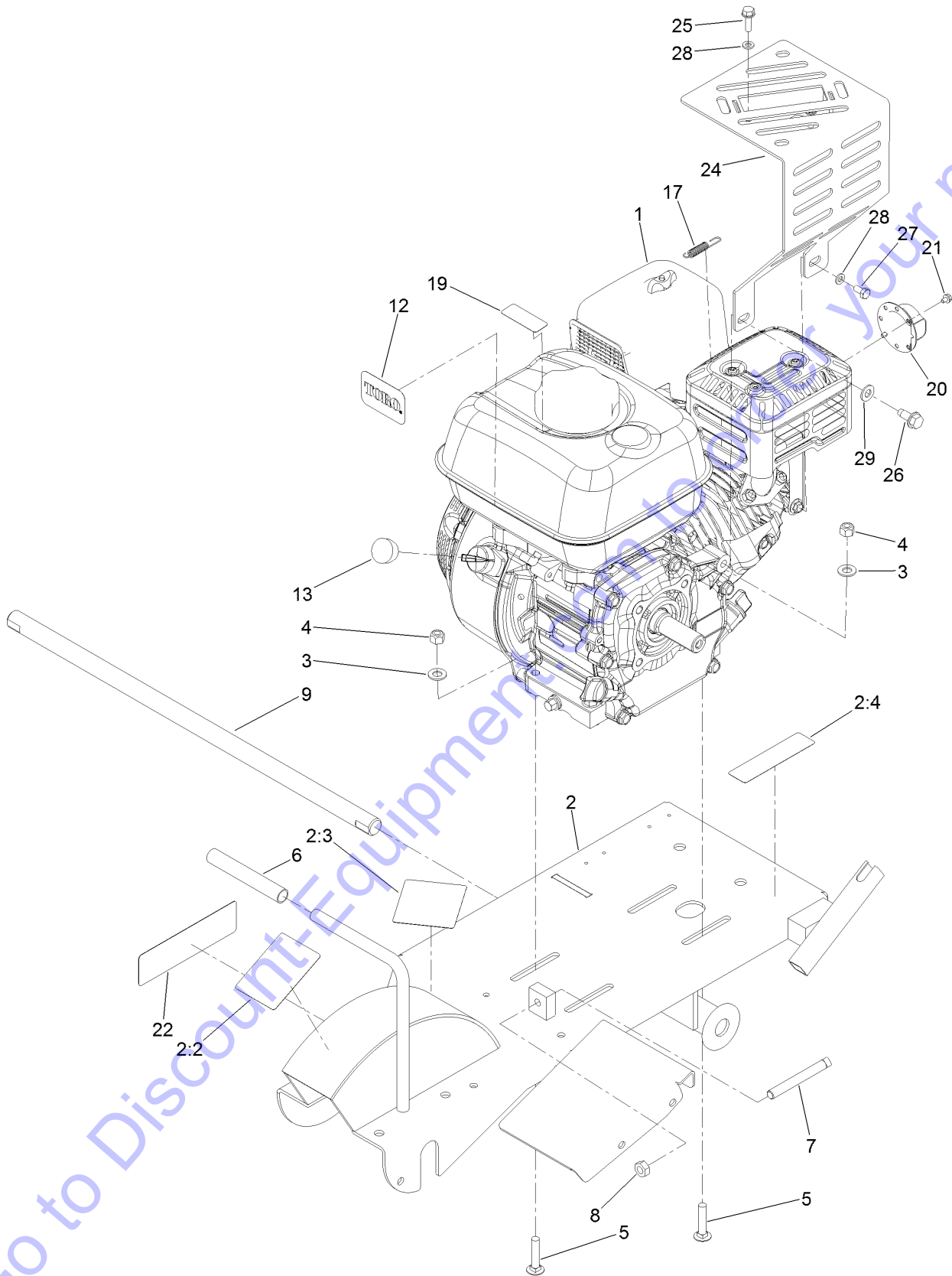
Go to Discount-Equipment.com to order your parts

Contents

Engine and Frame Assembly	4
Handle Assembly	6
3-Tooth Grinder Wheel Assembly	8
Brake and Wheel Assembly	10
Flap Assembly	12
Belt Drive Assembly	14
Attachments and Accessories	16

Go to Discount-Equipment.com to order your parts

Engine and Frame Assembly

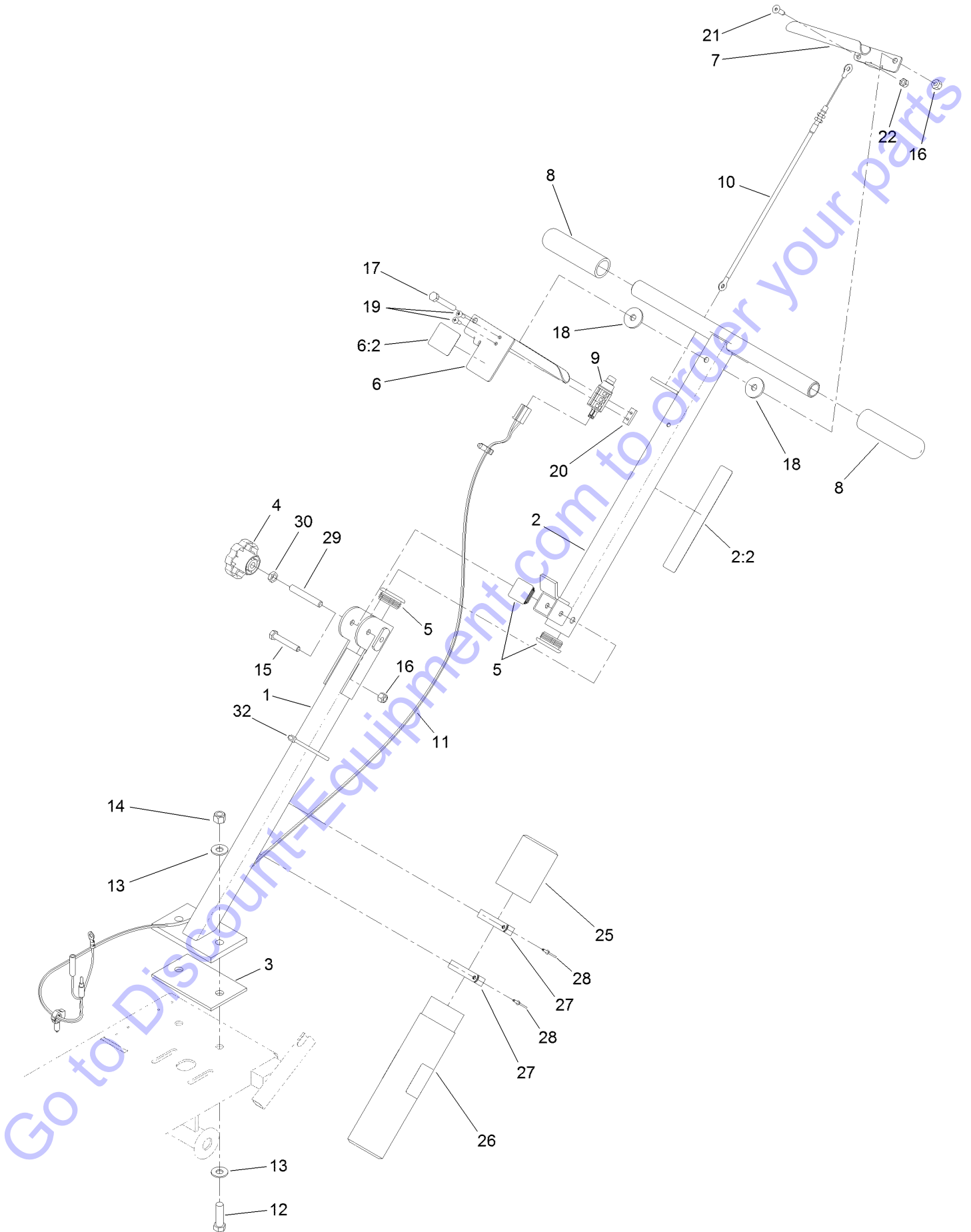


Engine and Frame Assembly (continued)

<i>Ref.</i>	<i>Part Number</i>	<i>Qty.</i>	<i>Description</i>	<i>Ref.</i>	<i>Part Number</i>	<i>Qty.</i>	<i>Description</i>
1		1	Engine- Honda, Gx200 ●	13	120-1887	1	Plug-Engine
2	132-3965	1	Frame ASM	17	119-4609	1	Spring-Extension
2:2	119-4693	1	Decal-Caution	19	130-8322	1	Decal-Warning, Ethanol
2:3	119-4690	1	Decal-Danger	20	125-3866	1	Deflector
2:4	133-8062	1	Decal-Arrestor, Spark	21	127-7578	1	Screw-HWH
3	3256-45	4	Washer-Flat	22	132-4004	1	Decal-Rotate Tooth
4	3296-29	4	Nut-Lock, NI	24	137-4867-03	1	Guard-Muffler
5	3230-4	4	Bolt-CARR	25	110-3986	2	Screw
6	112-2605	1	Grip-Rubber	26	32144-70	1	Screw-HWHTF
7	119-4729	1	Screw-Set, SQH	27	33113-012	1	Screw-HH
8	3217-7	1	Nut-Hex	28	33093-00	3	Washer-Flat
9	120-1795	1	Bar-Axle, Wheel	29	3256-23	1	Washer-Plain
12	98-3206	1	Decal				

● Not serviced separately

Handle Assembly

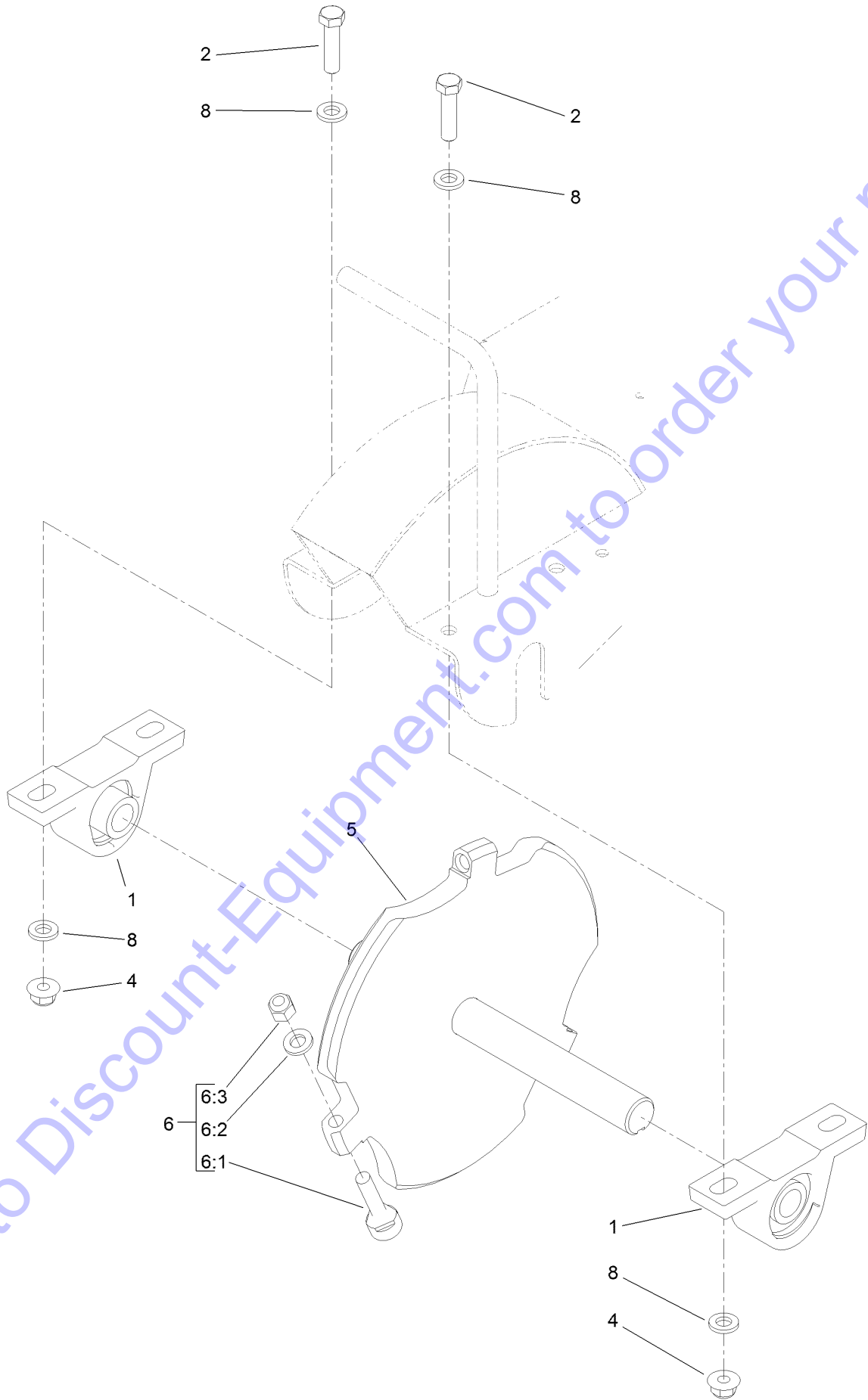


Handle Assembly (continued)

<i>Ref.</i>	<i>Part Number</i>	<i>Qty.</i>	<i>Description</i>	<i>Ref.</i>	<i>Part Number</i>	<i>Qty.</i>	<i>Description</i>
1	120-1323-01	1	Handle-Lower	14	3296-48	2	Nut-Hex
2	121-4394	1	Handle ASM	15	322-10	1	Screw-HH
2:2	119-4691	1	Decal-Caution	16	3296-29	2	Nut-Lock, NI
3	120-1324	1	Gasket-Handle	17	322-11	1	Screw-HH
4	109-1092	1	Knob	18	107675	2	Washer
5	120-1302	3	Plug-Tube	19	1-803071	2	Screw
6	132-4121	1	Plunger Handle ASM	20	1-633181	1	Plate-Tapped
6:2	119-4722	1	Decal-Engage	21	116-0606	1	Screw-Torx
7	120-1359-03	1	Handle-Throttle	22	3296-42	1	Nut-Lock, NI
8	120-1333	2	Grip-Handle	25	104-7048	1	Cap-Housing
9	120-1292	1	Switch-Plunger, NC (W/Cover)	26	104-7050	1	Tube-Manual
10	120-1375	1	Cable-Throttle	27	2412-120	2	Clamp-R
11	120-1369	1	Harness-Wire	28	3269-17	2	Rivet-Pop
12	324-6	2	Screw-HH	29	120-0909	1	Screw-HSH
13	3256-4	4	Washer-Flat	30	3218-3	1	Nut-Jam
				32	3290-379	2	Tie-Cable

Go to Discount-Equipment.com to order your parts

3-Tooth Grinder Wheel Assembly



Go to Discount-Equipment.com to order your parts

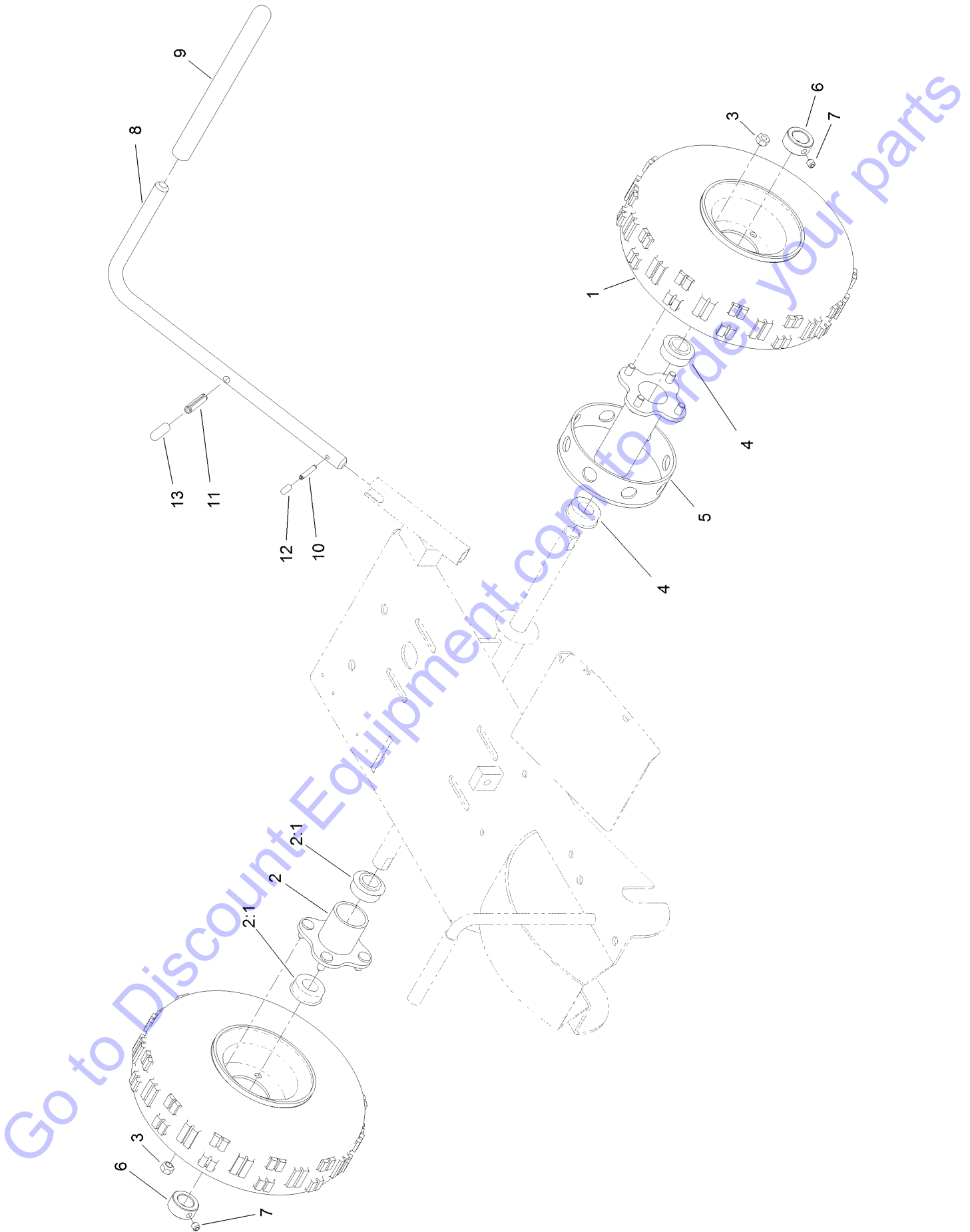
3-Tooth Grinder Wheel Assembly (continued)

<i>Ref.</i>	<i>Part Number</i>	<i>Qty.</i>	<i>Description</i>
1	120-1373	2	Bearing
2	3211-41	4	Screw-HH
4	127-6852	4	Nut-Flange, Lock
5	137-7685	1	Wheel-Grinder
6	132-4006	3	Grinder Tooth Kit (Single)
6	132-4007	1	Grinder Tooth Kit (3-Pack)

<i>Ref.</i>	<i>Part Number</i>	<i>Qty.</i>	<i>Description</i>
6	132-4008	1	Grinder Tooth Kit (6-Pack)
6:1	130-2224	1	Tooth-Grinder
6:2	107-1413	1	Washer-Hardened
6:3	112-0236	1	Nut-Lock
8	100-4852	8	Washer-Hardened

Go to Discount-Equipment.com to order your parts

Brake and Wheel Assembly

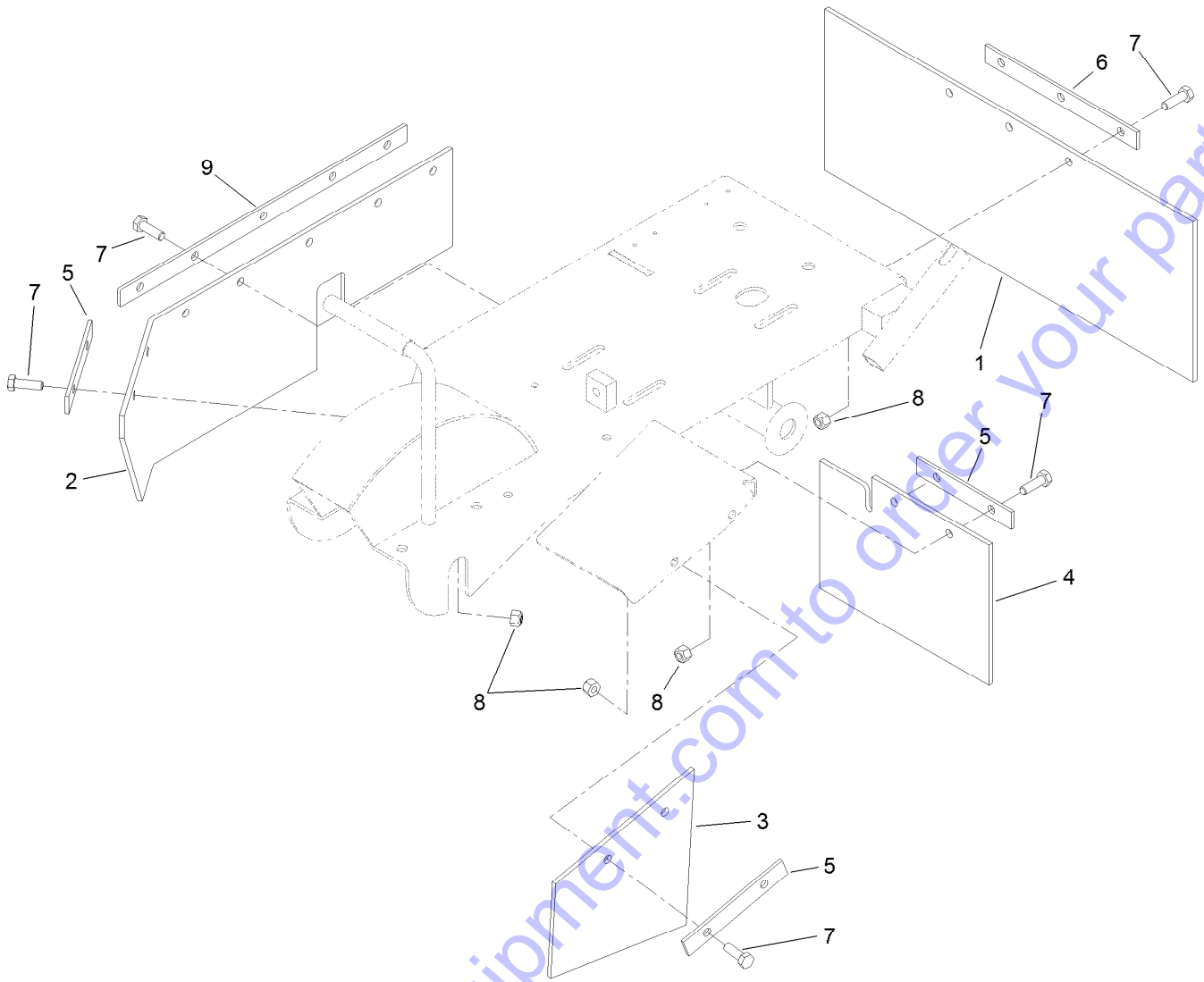


Brake and Wheel Assembly (continued)

<i>Ref.</i>	<i>Part Number</i>	<i>Qty.</i>	<i>Description</i>	<i>Ref.</i>	<i>Part Number</i>	<i>Qty.</i>	<i>Description</i>
1	120-1288	2	Wheel And Tire ASM	7	3246-2	2	Screw-Set, HSH
2	120-1295	1	Hub	8	120-1309-01	1	Handle-Brake
2:1	120-1296	2	Bearing-Wheel	9	119-0222	1	Grip
3	120-1304	8	Nut-Wheel	10	32121-6	1	Pin-Roll, Slotted
4	120-1296	2	Bearing-Wheel	11	32121-25	1	Pin-Roll
5	120-1325-03	1	Hub-Brake	12	119-4741	1	Cap-Lower
6	120-1294	2	Collar-Set	13	119-4742	1	Cap-Upper

Go to Discount-Equipment.com to order your parts

Flap Assembly

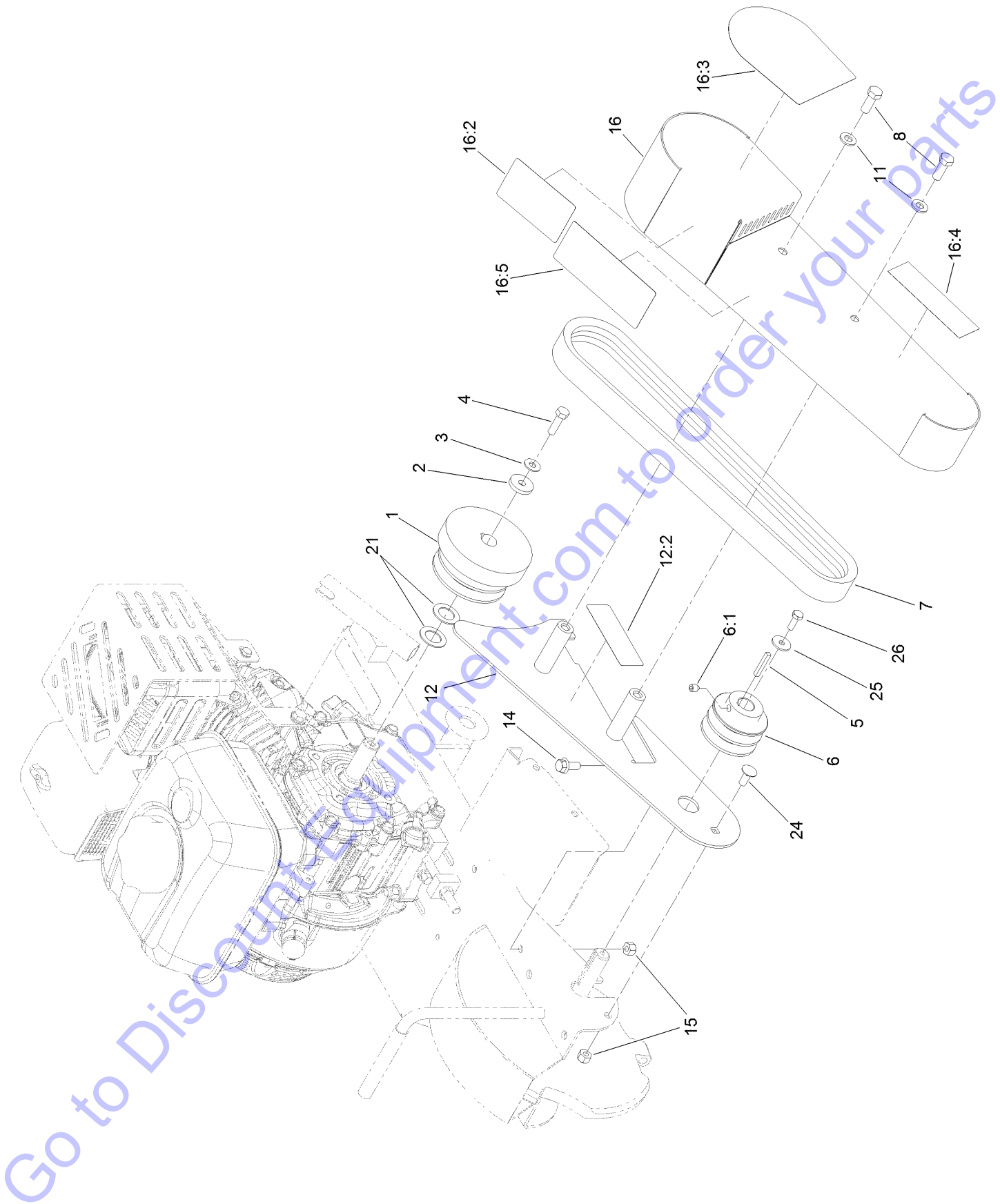


Flap Assembly (continued)

<i>Ref.</i>	<i>Part Number</i>	<i>Qty.</i>	<i>Description</i>	<i>Ref.</i>	<i>Part Number</i>	<i>Qty.</i>	<i>Description</i>
1	120-5355	1	Flap-Rear	6	120-1246-01	1	Bracket-Support, Flap
2	120-5352	1	Flap-Right	7	322-5	14	Screw-HH
3	120-1313	1	Flap-Wing	8	3296-29	14	Nut-Lock, NI
4	120-5353	1	Flap-Wing, Rear	9	120-5354-01	1	Plate-Mounting, Flap
5	120-1315-01	3	Plate-Mounting, Flap				

Go to Discount-Equipment.com to order your parts

Belt Drive Assembly



Belt Drive Assembly (continued)

<i>Ref.</i>	<i>Part Number</i>	<i>Qty.</i>	<i>Description</i>	<i>Ref.</i>	<i>Part Number</i>	<i>Qty.</i>	<i>Description</i>
1	137-7661	1	Clutch-Centrifugal	14	3234-47	2	Screw-HHF
2	115-7292	1	Washer-Hardened	15	3296-29	3	Nut-Lock, NI
3	98-3499	1	Washer-Flat	16	138-3128	1	Belt Guard ASM
4	3210-6	1	Screw-HH	16:2	119-4692	1	Decal-Caution
5	92-2649	1	Key-Square	16:3	119-4723	1	Decal
6	137-7662	1	Pulley-Front	16:4	120-1815	1	Decal
6:1	3246-3	1	Screw-HSH	16:5	137-4870	1	Decal-Service
7	137-7683	1	Belt-V, Banded	21	3-8664	2	Washer-Thrust
8	323-6	2	Screw-HH	24	3230-23	1	Screw-CARR
11	3256-38	2	Washer-Flat	25	3256-67	1	Washer
12	137-7689	1	Plate-Guard, Inner	26	329-23	1	Screw-HH
12:2	117-4979	1	Decal-Warning				

Go to Discount-Equipment.com to order your parts

Attachments and Accessories

For 22600 SGR-6 Stump Grinder

Product Name

Model/Part

Wheel Tooth Kit.....	132-4006
3-Pack Wheel Tooth Kit.....	132-4007
6-Pack Wheel Tooth Kit.....	132-4008

Go to Discount-Equipment.com to order your parts

PARTS FINDER

**Search Website
by Part Number**



**Search Manual
Library For Parts
Manual & Lookup Part
Numbers – Purchase
or Request Quote**

Search Manuals

Enter your information to help us find the right parts manual for your machine.

* Brand:

* Model:

* Serial:

* Part Number:

SEARCH

**Can't Find Part or
Manual? Request Help
by Manufacturer,
Model & Description**

Parts Order Form

Please fill in the following information to help us find the right part for your machine.

Manufacturer:	<input type="text"/>
Model:	<input type="text"/>
Description:	<input type="text"/>
Part Number:	<input type="text"/>
Quantity:	<input type="text"/>
Notes:	<input type="text"/>

Discount-Equipment.com is your online resource for quality parts & equipment.

Florida: **561-964-4949** Outside Florida TOLL FREE: **877-690-3101**

Need parts?

Click on this link: <http://www.discount-equipment.com/category/5443-parts/> and choose one of the options to help get the right parts and equipment you are looking for. Please have the machine model and serial number available in order to help us get you the correct parts. If you don't find the part on the website or on one of the online manuals, please fill out the request form and one of our experienced staff members will get back to you with a quote for the right part that your machine needs.

We sell worldwide for the brands: Genie, Terex, JLG, MultiQuip, Mikasa, Essick, Whiteman, Mayco, Toro Stone, Diamond Products, Generac Magnum, Airman, Haulotte, Barreto, Power Blanket, Nifty Lift, Atlas Copco, Chicago Pneumatic, Allmand, Miller Curber, Skyjack, Lull, Skytrak, Tsurumi, Husquvarna Target, Stow, Wacker, Sakai, Mi-T-M, Sullair, Basic, Dynapac, MBW, Weber, Bartell, Bennar Newman, Haulotte, Ditch Runner, Menegotti, Morrison, Contec, Buddy, Crown, Edco, Wyco, Bomag, Laymor, EZ Trench, Bil-Jax, F.S. Curtis, Gehl Pavers, Heli, Honda, ICS/PowerGrit, IHI, Partner, Imer, Clipper, MMD, Koshin, Rice, CH&E, General Equipment, Amida, Coleman, NAC, Gradall, Square Shooter, Kent, Stanley, Tamco, Toku, Hatz, Kohler, Robin, Wisconsin, Northrock, Oztec, Toker TK, Rol-Air, APT, Wylie, Ingersoll Rand / Doosan, Innovatech, Con X, Ammann, Mecalac, Makinex, Smith Surface Prep, Small Line, Wanco, Yanmar



Count on it.



www.discount-equipment.com

Go to Discount-Equipment.com to order your parts