

AME 1600

Spare parts list

Electric external vibrator

AME 1600

Motor: Motor set 230V 50-60 Hz

Go to Discount-Equipment.com to order your parts



PARTS FINDER

**Search Website
by Part Number**



**Search Manual
Library For Parts
Manual & Lookup Part
Numbers – Purchase
or Request Quote**

Search Manuals

Enter your information to help us find the right parts manual for your machine.

* Brand:

* Model:

* Serial:

* Part Number:

SEARCH

**Can't Find Part or
Manual? Request Help
by Manufacturer,
Model & Description**

Parts Order Form

Please fill in the following information to help us find the right part for your machine.

MANUFACTURER:

MODEL:

DESCRIPTION:

DATE:

TIME:

PHONE:

EMAIL:

ADDRESS:

CITY:

STATE:

ZIP:

COUNTRY:

SEARCH

Discount-Equipment.com is your online resource for quality parts & equipment.

Florida: **561-964-4949** Outside Florida TOLL FREE: **877-690-3101**

Need parts?

Click on this link: <http://www.discount-equipment.com/category/5443-parts/> and choose one of the options to help get the right parts and equipment you are looking for. Please have the machine model and serial number available in order to help us get you the correct parts. If you don't find the part on the website or on one of the online manuals, please fill out the request form and one of our experienced staff members will get back to you with a quote for the right part that your machine needs.

We sell worldwide for the brands: Genie, Terex, JLG, MultiQuip, Mikasa, Essick, Whiteman, Mayco, Toro Stone, Diamond Products, Generac Magnum, Airman, Haulotte, Barreto, Power Blanket, Nifty Lift, Atlas Copco, Chicago Pneumatic, Allmand, Miller Curber, Skyjack, Lull, Skytrak, Tsurumi, Husquvarna Target, Stow, Wacker, Sakai, Mi-T-M, Sullair, Basic, Dynapac, MBW, Weber, Bartell, Bennar Newman, Haulotte, Ditch Runner, Menegotti, Morrison, Contec, Buddy, Crown, Edco, Wyco, Bomag, Laymor, EZ Trench, Bil-Jax, F.S. Curtis, Gehl Pavers, Heli, Honda, ICS/PowerGrit, IHI, Partner, Imer, Clipper, MMD, Koshin, Rice, CH&E, General Equipment, Amida, Coleman, NAC, Gradall, Square Shooter, Kent, Stanley, Tamco, Toku, Hatz, Kohler, Robin, Wisconsin, Northrock, Oztec, Toker TK, Rol-Air, APT, Wylie, Ingersoll Rand / Doosan, Innovatech, Con X, Ammann, Mecalac, Makinex, Smith Surface Prep, Small Line, Wanco, Yanmar

General information

This spare parts list applies to the following:

Part number	Description
967857801	POKERS AME 1600 110 V 1 Phase 50/60 Hz NA
967933301	POKERS AME 1600 115 V 1 Phase 50/60 Hz UK
967933601	POKERS AME 1600 230 V 1 Phase 50/60 Hz
967859601	POKERS AT 29
967859602	POKERS AT 39
967859603	POKERS AT 49
967859604	POKERS AT 59
967859501	VIBRATORS Superflex 10 Flexible Shaft
967859502	VIBRATORS Superflex 15 Flexible Shaft
967859503	VIBRATORS Superflex 20 Flexible Shaft
967859504	VIBRATORS Superflex 30 Flexible Shaft
967859505	VIBRATORS Superflex 40 Flexible Shaft

Use only authorized parts. Any damage or malfunction caused by the use of unauthorized parts is not covered by Warranty or Product Liability. Any unauthorized use or copying of the contents or any part thereof is prohibited. This applies in particular to trademarks, model denominations, part numbers, and drawings.

Instructions for use

This spare parts list contains no safety regulations and is merely intended to assist in the ordering of spare parts.

For information about operating, servicing, or repairing, the relevant Safety and operating instructions must be consulted at all costs.

Please observe the safety instructions listed in the relevant Safety and operating instructions!

Spare parts list

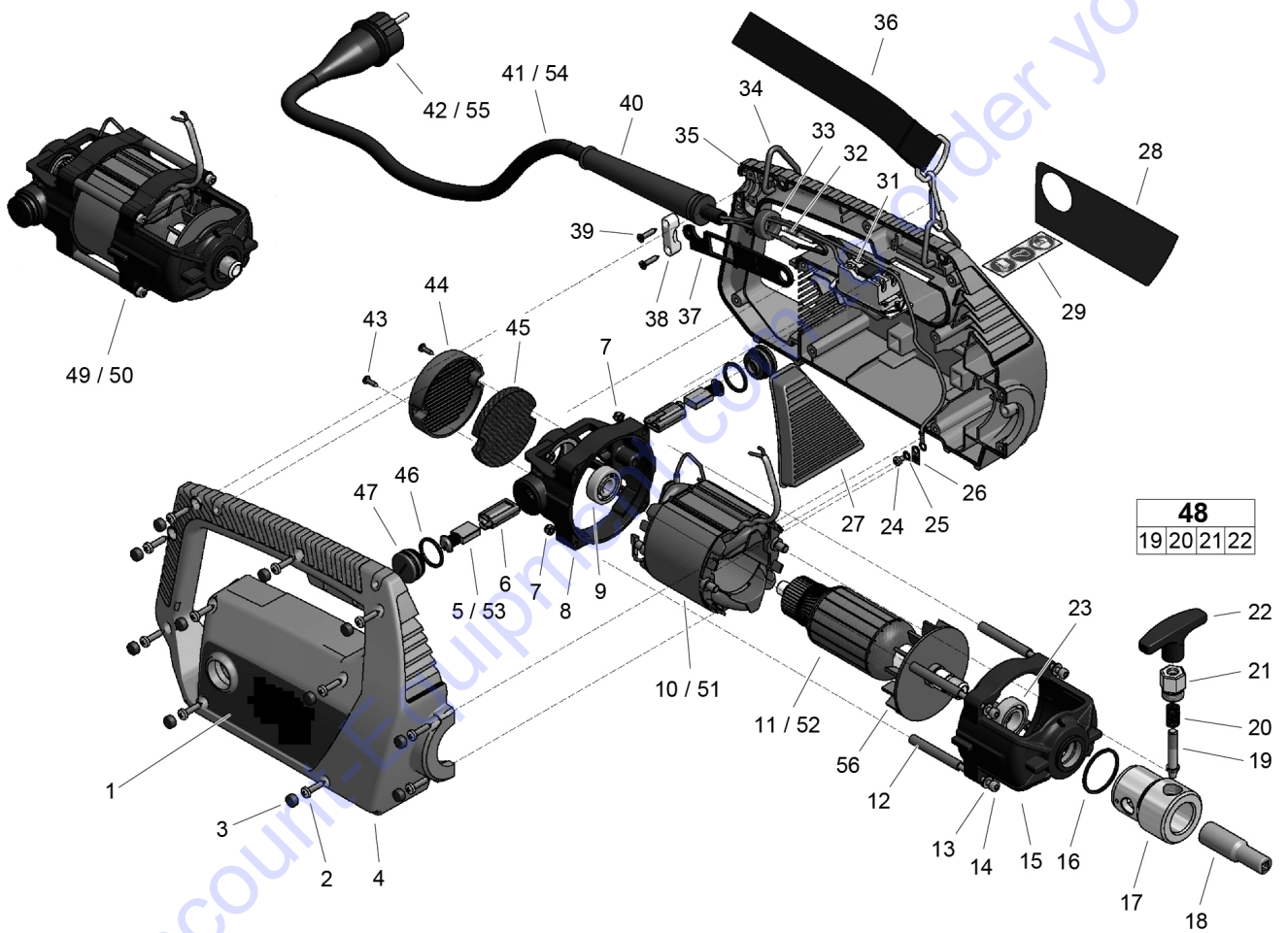
AME 1600 drive unit	1
AT29 Vibrator tube	4
AT39 Vibrator tube	7
AT49 Vibrator tube	9
AT59 Vibrator tube	11
Superflex flexible shaft 10	13
Superflex flexible shaft 15	15
Superflex flexible shaft 20	17
Superflex flexible shaft 30	19
Superflex flexible shaft 40	21

Maintenance kits

Maintenance kit	23
Connection handle kit	25
Motor set 230V	27
Motor set 110V	29
Brush kit 230V	31
Brush kit 110V	33

Go to Discount-Equipment.com to order your parts

Spare parts list AME 1600 drive unit



48			
19	20	21	22

Refer to the Parts Online web page for most up-to-date information. The printed information might be outdated.

Item	Part No.	Name	Qty	L
1	595204201	Label left	1	
2	-	Self-tapping screw, 4,8x22 mm DIN7981	11	
3	-	Bolt cap	11	
4	595933101	Yellow housing set	1	
5	594634101	Brush, 230V 50-60 Hz	2	
6	594634301	Brush holder	2	
7	-	Lock nut, M5 DIN 985	4	
8	594634401	Motor rear frame	1	
9	594862801	Rear bearing, 6201 2Z	1	
10	594634501	Stator, 230V 50-60 Hz	1	
11	594634601	Rotor, 230V 50-60 Hz	1	
12	595491701	Frame spacer	4	
13	-	Washer, AET 5.3	4	
14	-	Screw, M5x100 mm DIN 912 8.8	4	
15	595491801	Motor front frame	1	
16	-	O-ring, 36x2 mm	1	
17	595491901	Transmission connector	1	
18	594634701	Square drive	1	
19	594634801	Connector plug	1	
20	594635201	Air filter	1	
21	595204401	Connection nut	1	
22	594634901	Connection handle	1	
23	595492101	Front bearing, 6003 2Z	1	
24	-	Screw, M4x6 mm DIN 7985	1	
25	-	Washer, 4.3 A DIN 6798	1	
26	595204501	Ground plate	1	
27	595492201	Front air plate	1	
28	595492301	Label right	1	
29	-	Label, safety	1	
31	594635001	Switch set	1	
32	594635101	Thermal protector	1	
33	595525901	Coated core-tech	1	
34	595204701	Hook ring	2	
35	-	Continuous o-ring, Ø1,5 mm	1.4 m	
36	595204801	Belt set	1	
37	595492401	Cables cover plate	1	
38	595492501	Cable clamp	1	
39	-	Self-tapping screw, 3,9x22 mm DIN 7982	2	

Refer to the Parts Online web page for most up-to-date information. The printed information might be outdated.

Item	Part No.	Name	Qty	L
40	595204901	Cable protector	1	
41	595205001	Cable + plug set	1	A
42	595205101	Plug	1	B
43	-	Screw, 3.9x19 mm DIN 7981	2	
44	595492801	Air cover, rear	1	
45	594635201	Air filter	1	
46	-	O-ring, 23x2mm	2	
47	594635301	Brush cap	2	
48	594635401	Connection handle kit	1	C
49	594635501	Motor set	1	D
50	595492901	Motor set	1	E
51	595204301	Stator	1	F
52	595491601	Rotor	1	G
53	594634201	Brush	2	H
54	-	Cable + plug set	1	I
55	-	Plug	1	J
56	-	Fan	1	

Comments for Page: AME 1600 drive unit

A | 230 V 50-60 Hz 5m, SCHUKO plug

B | SCHUKO type 2P 16A

C | See section 'Maintenance kits'

D | 230 V 50-60 Hz. See section 'Maintenance kits'.

E | 110 V 50-60 Hz. See section 'Maintenance kits'.

F | 110 V 50-60 Hz

G | 110 V 50-60 Hz

H | 110 V 50-60 Hz

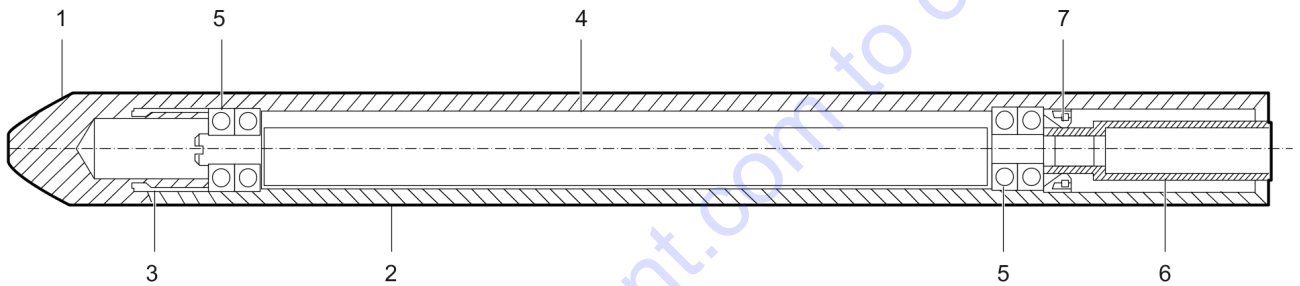
I | 110 V 50-60 Hz 5m, SCHUKO plug

J | 2P+T 100/300V 16A 115V UK

This page intentionally left blank

Go to Discount-Equipment.com to order your parts

Spare parts list AT29 Vibrator tube

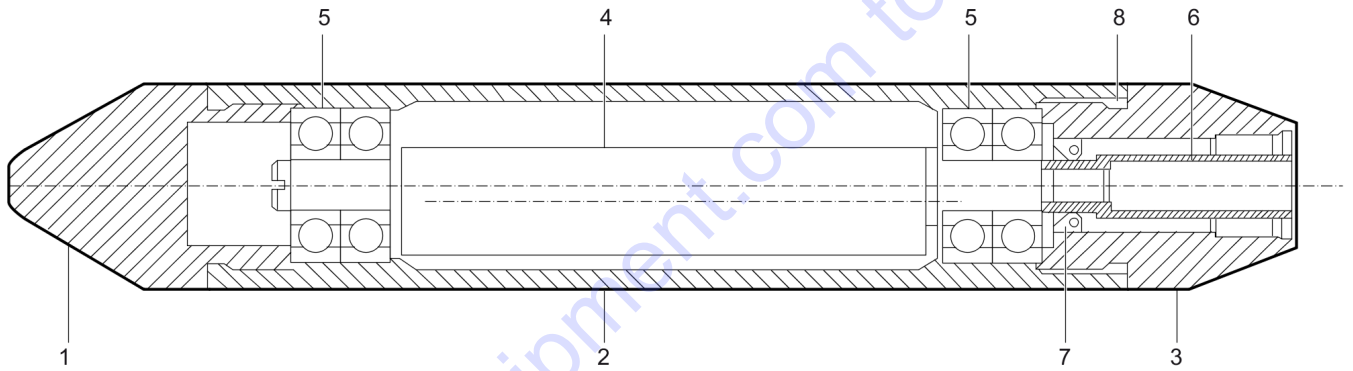


Go to Discount-Equipment.com to order your parts

Item	Part No.	Name	Qty	L
1	594504701	End cap	1	
2	594504801	Tube	1	
3	595046401	O-ring 19.2X3-NBR 70 shore	1	
4	594504901	Eccentric	1	
5	594529301	Bearing	4	
6	594504501	Square fitting	1	
7	594269201	Jointing ring	1	

Go to Discount-Equipment.com to order your parts

Spare parts list AT39 Vibrator tube

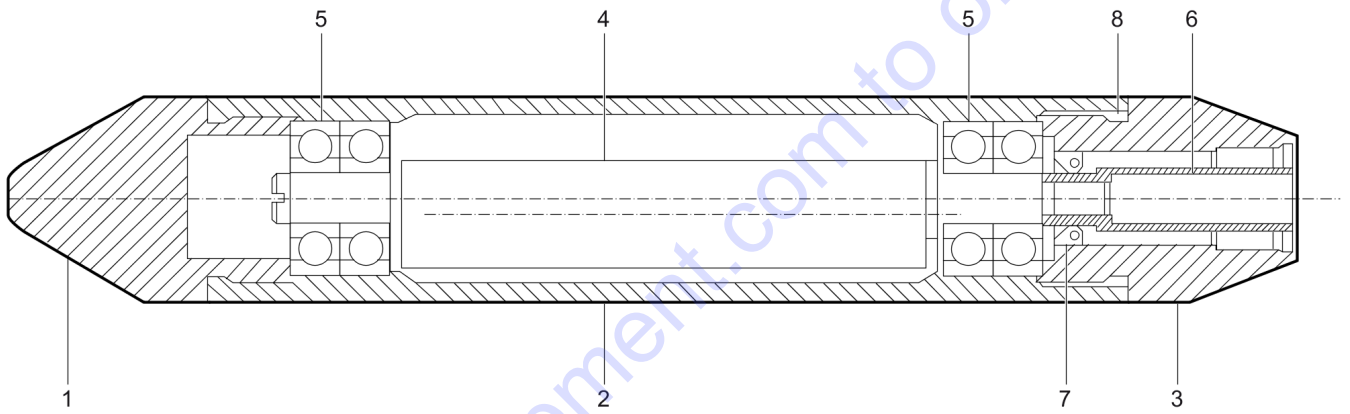


Go to Discount-Equipment.com to order your parts

Item	Part No.	Name	Qty	L
1	594505001	End cap	1	
2	594505101	Tube	1	
3	594505201	Tube connector	1	
4	594505301	Eccentric	1	
5	594529401	Bearing	4	
6	594504501	Square fitting	1	
7	594269201	Jointing ring	1	
8	595445301	O-ring, 26.2 x 3.0 mm, 1.03 x 0.12 in.	1	

Go to Discount-Equipment.com to order your parts

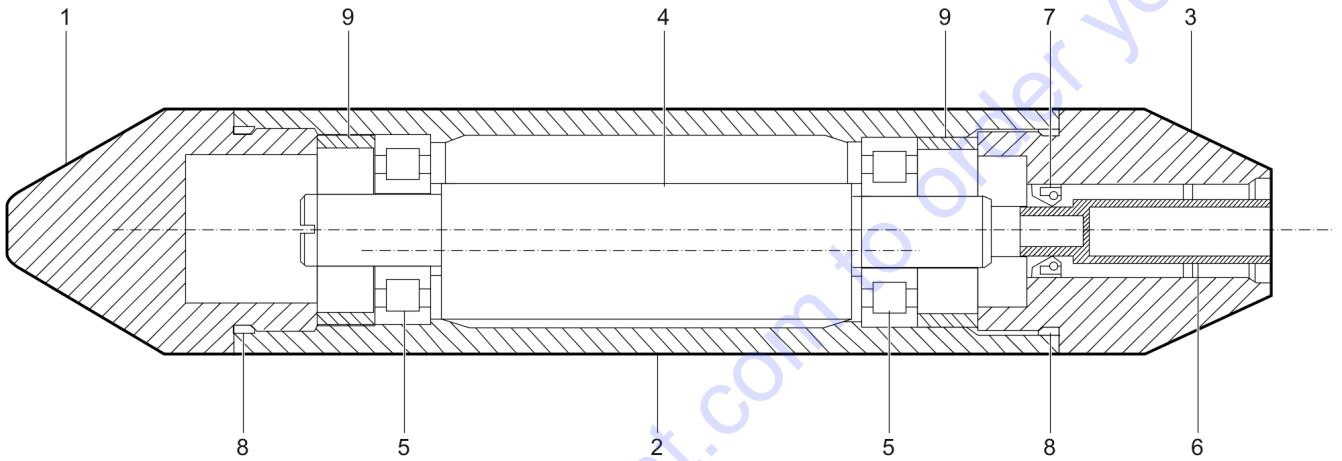
Spare parts list AT49 Vibrator tube



Item	Part No.	Name	Qty	L
1	594505401	End cap	1	
2	595467701	Tube	1	
3	595467801	Tube connector	1	
4	594505501	Eccentric	1	
5	594529501	Bearing	4	
6	594504501	Square fitting	1	
7	594269201	Jointing ring	1	
8	595046501	O-ring	1	

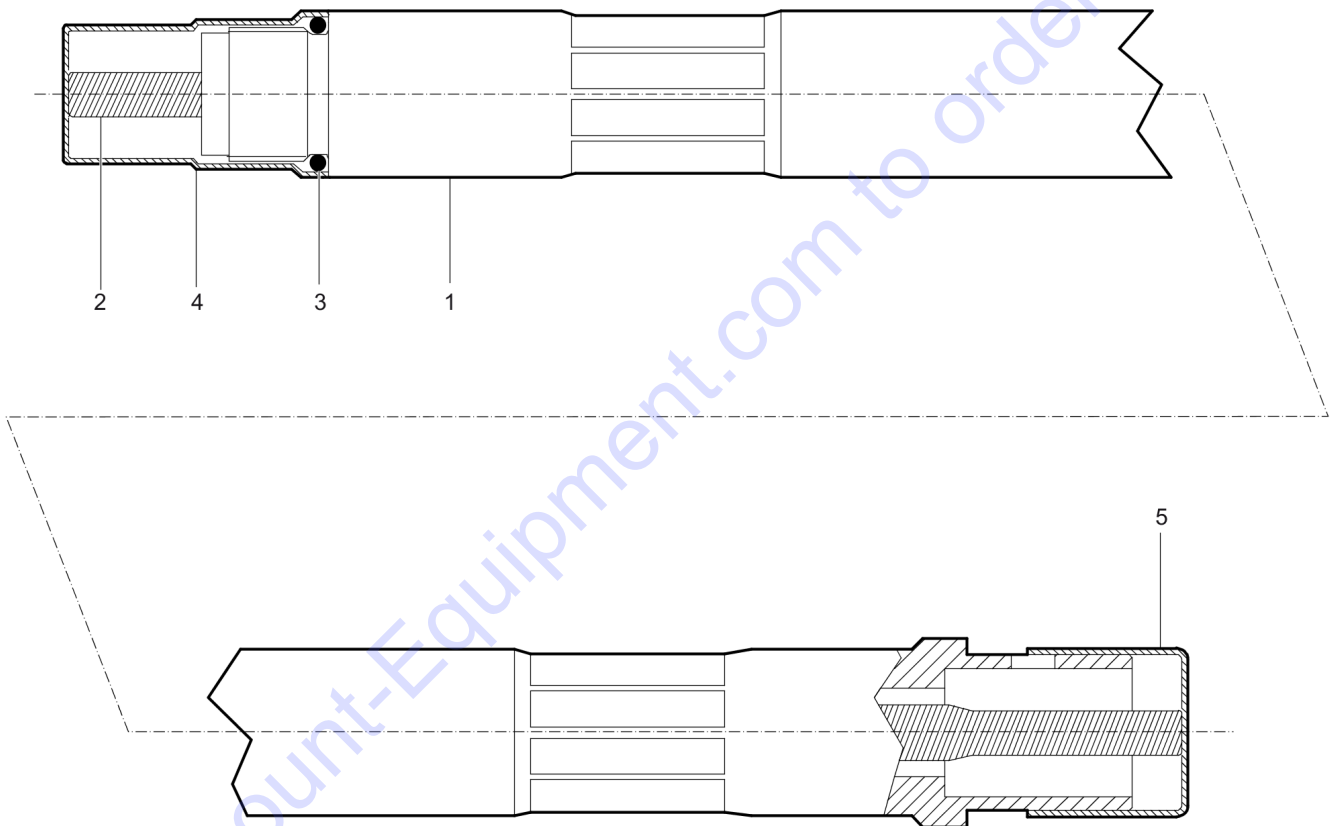
Go to Discount-Equipment.com to order your parts

Spare parts list AT59 Vibrator tube



Item	Part No.	Name	Qty	L
1	594505601	End cap	1	
2	595183301	Tube	1	
3	595467901	Tube connector	1	
4	594505701	Eccentric	1	
5	594371301	Bearing	2	
6	594504501	Square fitting	1	
7	594269201	Jointing ring	1	
8	594267001	O-ring	2	
9	594371401	Sleeve	2	

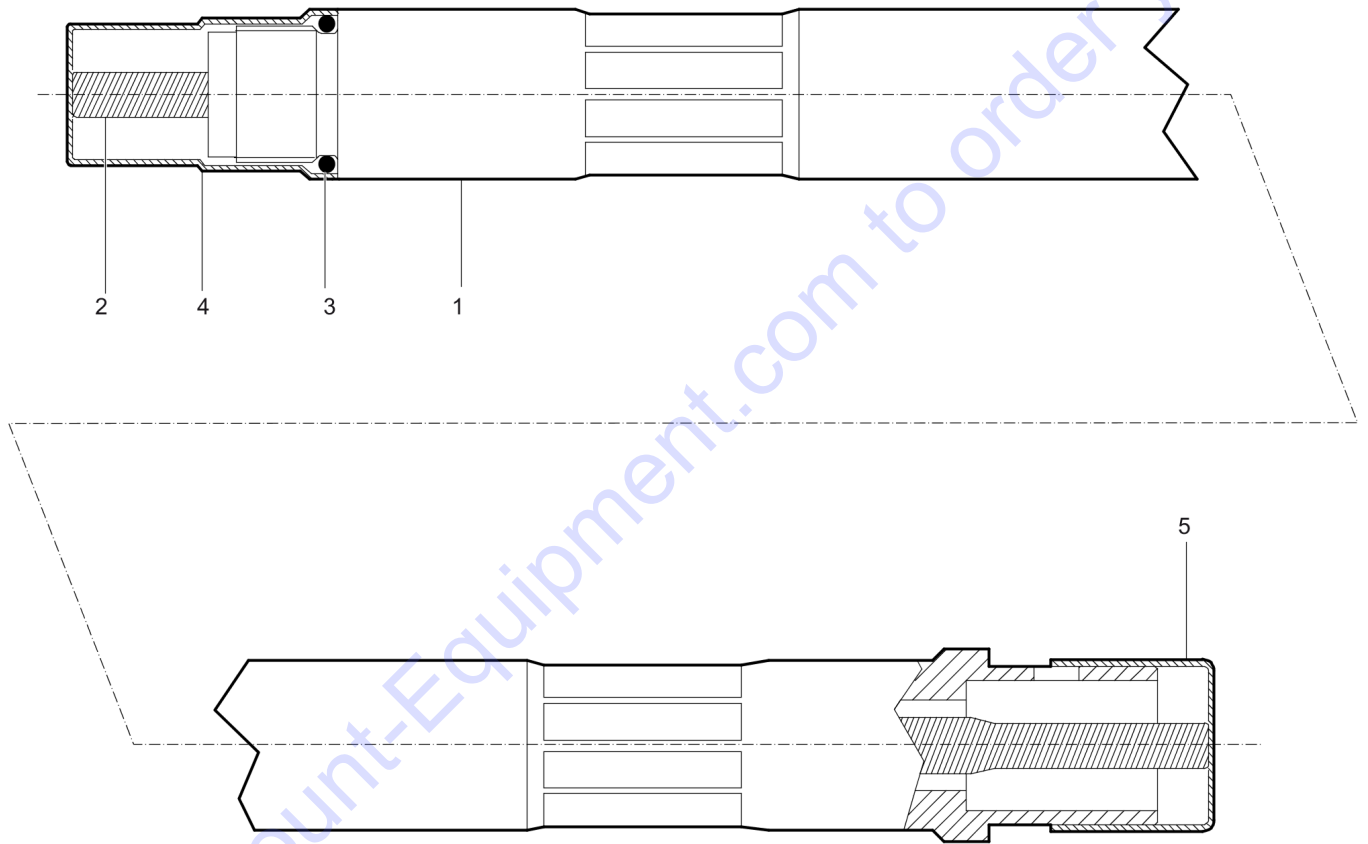
Spare parts list Superflex flexible shaft 10



Item	Part No.	Name	Qty	L
1	-	Hose complete	1	
2	594511901	Inner flexible shaft	1	
3	595046401	O-ring 19.2X3-NBR 70 shore	1	
4	595468001	Protective cap	1	
5	594284901	Protective cap	1	

Go to Discount-Equipment.com to order your parts

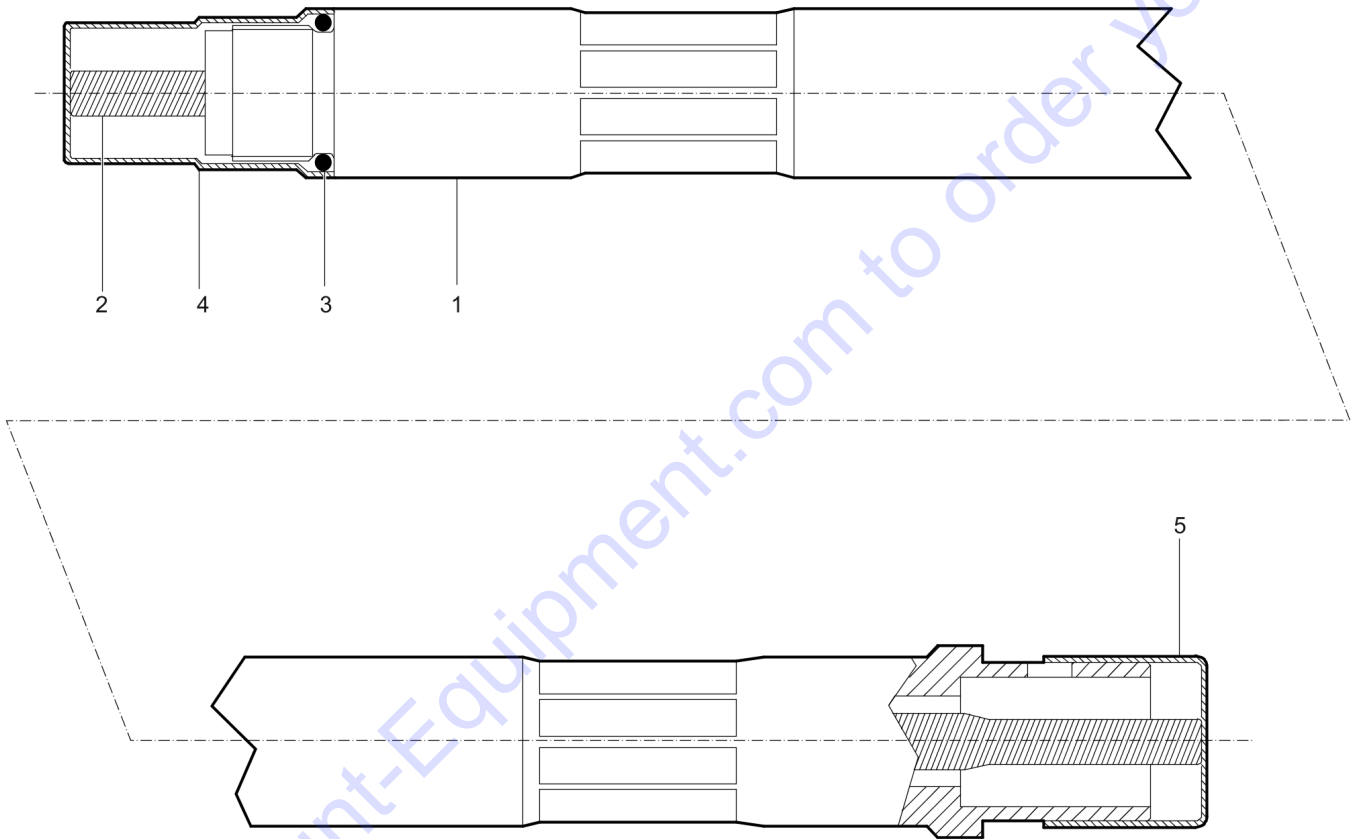
Spare parts list Superflex flexible shaft 15



Item	Part No.	Name	Qty	L
1	-	Hose complete	1	
2	594505801	Inner flexible shaft	1	
3	595046401	O-ring 19.2X3-NBR 70 shore	1	
4	595468001	Protective cap	1	
5	594284901	Protective cap	1	

Go to Discount-Equipment.com to order your parts

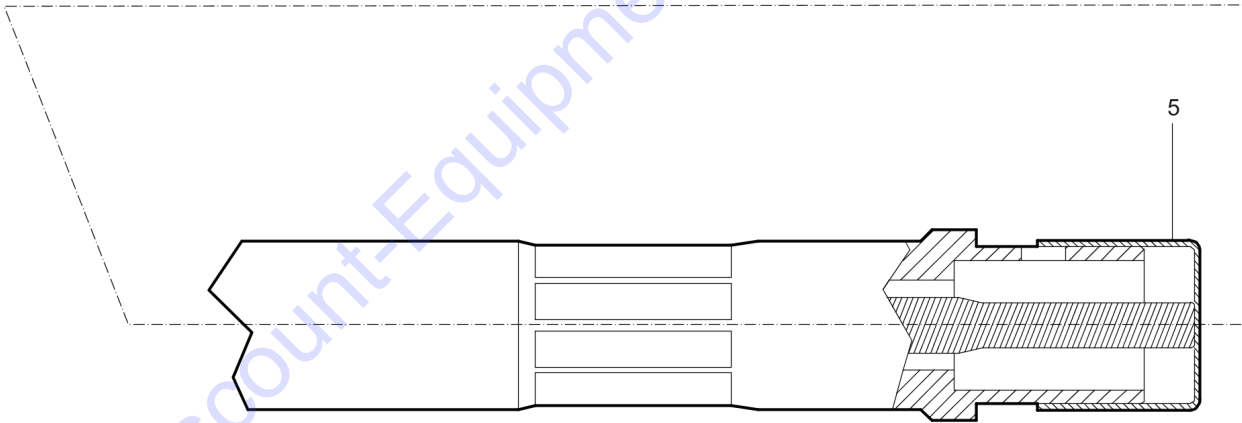
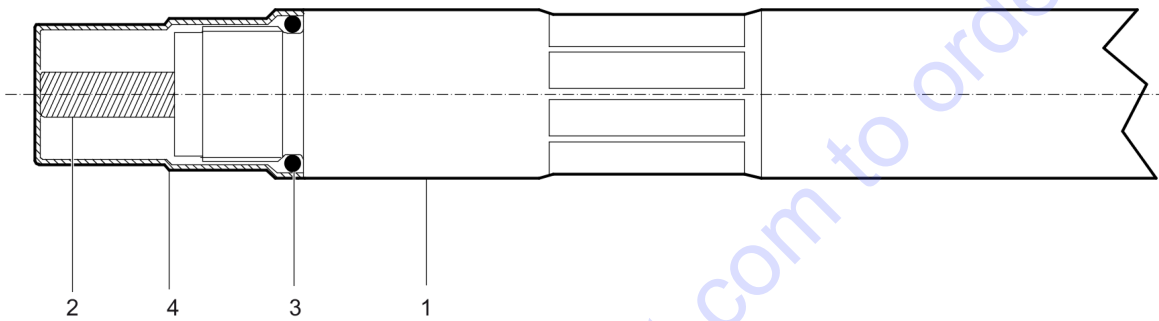
Spare parts list Superflex flexible shaft 20



Item	Part No.	Name	Qty	L
1	-	Hose complete	1	
2	594505901	Inner flexible shaft	1	
3	595046401	O-ring 19.2X3-NBR 70 shore	1	
4	595468001	Protective cap	1	
5	594284901	Protective cap	1	

Go to Discount-Equipment.com to order your parts

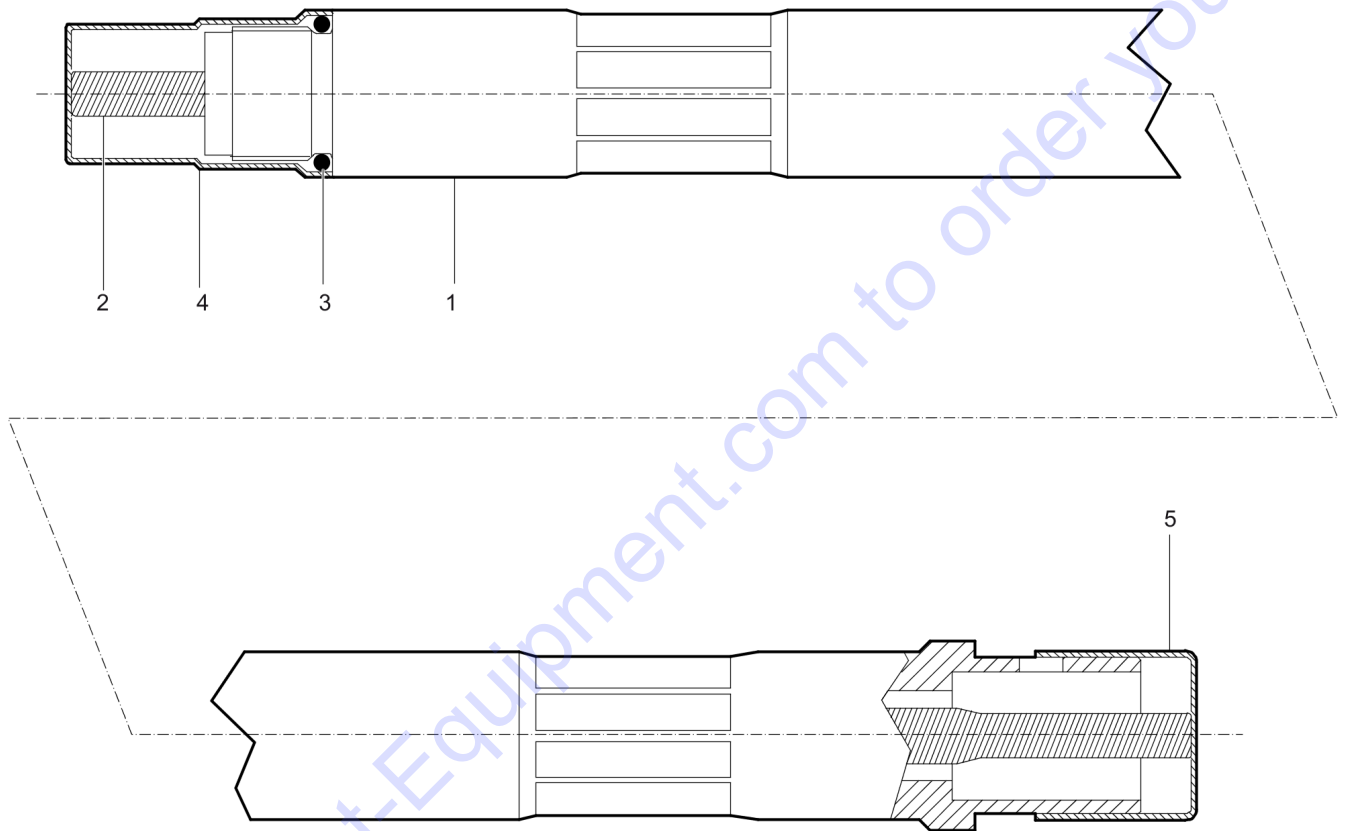
Spare parts list Superflex flexible shaft 30



Item	Part No.	Name	Qty	L
1	-	Hose complete	1	
2	594506201	Inner flexible shaft	1	
3	595046401	O-ring 19.2X3-NBR 70 shore	1	
4	595468001	Protective cap	1	
5	594284901	Protective cap	1	

Go to Discount-Equipment.com to order your parts

Spare parts list Superflex flexible shaft 40



Item	Part No.	Name	Qty	L
1	-	Hose complete	1	
2	594506001	Inner flexible shaft	1	
3	595046401	O-ring 19.2X3-NBR 70 shore	1	
4	595468001	Protective cap	1	
5	594284901	Protective cap	1	

Go to Discount-Equipment.com to order your parts

Maintenance kits Maintenance kit

NO EXPLODED VIEW
AVAILABLE
FOR THIS BOM

Go to Discount-Equipment.com to order your parts

Item	Part No.	Name	Qty	L
1	594292801	Bearings kit vibrator head AT29	1	
2	594292901	Bearings kit vibrator head AT39	1	
3	594293001	Bearings kit vibrator head AT49	1	
4	594795301	Bearings kit vibrator head AT59	1	

Go to Discount-Equipment.com to order your parts

Maintenance kits Connection handle kit

NO EXPLODED VIEW
AVAILABLE
FOR THIS BOM

Go to Discount-Equipment.com to order your parts

Item	Part No.	Name	Qty	L
1	594635401	Connection handle kit	1	
2	594634801	Connector plug	1	
3	595492001	Connection spring	1	
4	595204401	Connection nut	1	
5	594634901	Connection handle	1	

Go to Discount-Equipment.com to order your parts

Maintenance kits Motor set 230V

NO EXPLODED VIEW
AVAILABLE
FOR THIS BOM

Go to Discount-Equipment.com to order your parts

Item	Part No.	Name	Qty	L
1	594635501	Motor set	1	
2	594634101	Brush, 230V 50-60 Hz	2	
3	594634301	Brush holder	2	
4	-	Lock nut, M5 DIN 985	4	
5	594634401	Motor rear frame	1	
6	594862801	Rear bearing, 6201 2Z	1	
7	594634501	Stator, 230V 50-60 Hz	1	
8	594634601	Rotor, 230V 50-60 Hz	1	
9	595491701	Frame spacer	4	
10	-	Washer, AET 5.3	4	
11	-	Screw, M5x100 DIN 912 8.8	4	
12	595491801	Motor front frame	1	
13	-	O-ring, 36x2mm	1	
14	594634701	Square drive	1	
15	-	Screw, 3.9x19 DIN 7981	2	
16	595492801	Air cover, rear	1	
17	594635201	Air filter	1	
18	-	O-ring, 23x2mm	2	
19	-	Fan	1	
20	594635301	Brush cap	2	

Maintenance kits Motor set 110V

NO EXPLODED VIEW
AVAILABLE
FOR THIS BOM

Go to Discount-Equipment.com to order your parts

Item	Part No.	Name	Qty	L
1	595492901	Motor set	1	
2	594634201	Brush	2	
3	594634301	Brush holder	2	
4	-	Lock nut, M5 DIN 985	4	
5	594634401	Motor rear frame	1	
6	594862801	Rear bearing, 6201 2Z	1	
7	595204301	Stator	1	
8	595491601	Rotor	1	
9	595491701	Frame spacer	4	
10	-	Washer, AET 5.3	4	
11	-	Screw, M5x100mm DIN 912 8.8	4	
12	595491801	Motor front frame	1	
13	-	O-ring, 36x2mm	1	
14	594634701	Square drive	1	
15	-	Screw, 3.9x19mm DIN 7981	2	
16	595492801	Air cover, rear	1	
17	594635201	Air filter	1	
18	-	O-ring, 23x2mm	2	
19	-	Fan	1	
20	594635301	Brush cap	2	

Maintenance kits Brush kit 230V

NO EXPLODED VIEW
AVAILABLE
FOR THIS BOM

Go to Discount-Equipment.com to order your parts

Item	Part No.	Name	Qty	L
1	595205201	Brush kit	1	
2	594634101	Brush, 230V 50-60 Hz	2	
3	594635301	Brush cap	2	

Go to Discount-Equipment.com to order your parts

Maintenance kits Brush kit 110V

NO EXPLODED VIEW
AVAILABLE
FOR THIS BOM

Go to Discount-Equipment.com to order your parts

Item	Part No.	Name	Qty	L
1	594635701	Brush kit	1	
2	594634201	Brush	2	
3	594635301	Brush cap	2	

Go to Discount-Equipment.com to order your parts

Go to Discount-Equipment.com to order your parts

Any unauthorized use or copying of the contents or any part thereof is prohibited.
This applies in particular to trademarks, model denominations, part numbers, and drawings.

PARTS FINDER

**Search Website
by Part Number**



**Search Manual
Library For Parts
Manual & Lookup Part
Numbers – Purchase
or Request Quote**

Search Manuals

Enter your information to help us find the right parts manual for your machine.

* Brand:

* Model:

* Serial:

* Part Number:

SEARCH

**Can't Find Part or
Manual? Request Help
by Manufacturer,
Model & Description**

Parts Order Form

Please fill in the following information to help us find the right part for your machine.

Manufacturer:	<input type="text"/>
Model:	<input type="text"/>
Description:	<input type="text"/>
Part Number:	<input type="text"/>
Quantity:	<input type="text"/>
Notes:	<input type="text"/>
Submit	<input type="button" value="Submit"/>

Discount-Equipment.com is your online resource for quality parts & equipment.

Florida: **561-964-4949** Outside Florida TOLL FREE: **877-690-3101**

Need parts?

Click on this link: <http://www.discount-equipment.com/category/5443-parts/> and choose one of the options to help get the right parts and equipment you are looking for. Please have the machine model and serial number available in order to help us get you the correct parts. If you don't find the part on the website or on one of the online manuals, please fill out the request form and one of our experienced staff members will get back to you with a quote for the right part that your machine needs.

We sell worldwide for the brands: Genie, Terex, JLG, MultiQuip, Mikasa, Essick, Whiteman, Mayco, Toro Stone, Diamond Products, Generac Magnum, Airman, Haulotte, Barreto, Power Blanket, Nifty Lift, Atlas Copco, Chicago Pneumatic, Allmand, Miller Curber, Skyjack, Lull, Skytrak, Tsurumi, Husquvarna Target, Stow, Wacker, Sakai, Mi-T-M, Sullair, Basic, Dynapac, MBW, Weber, Bartell, Bennar Newman, Haulotte, Ditch Runner, Menegotti, Morrison, Contec, Buddy, Crown, Edco, Wyco, Bomag, Laymor, EZ Trench, Bil-Jax, F.S. Curtis, Gehl Pavers, Heli, Honda, ICS/PowerGrit, IHI, Partner, Imer, Clipper, MMD, Koshin, Rice, CH&E, General Equipment, Amida, Coleman, NAC, Gradall, Square Shooter, Kent, Stanley, Tamco, Toku, Hatz, Kohler, Robin, Wisconsin, Northrock, Oztec, Toker TK, Rol-Air, APT, Wylie, Ingersoll Rand / Doosan, Innovatech, Con X, Ammann, Mecalac, Makinex, Smith Surface Prep, Small Line, Wanco, Yanmar