

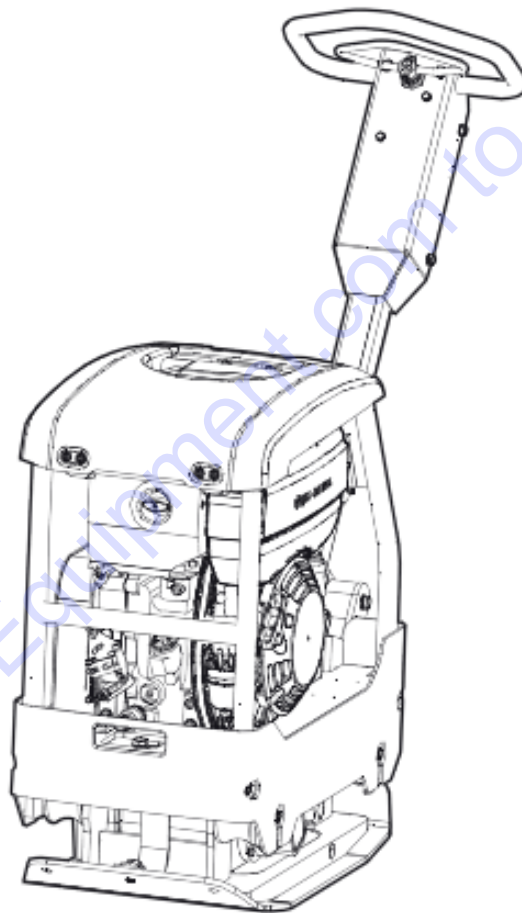
# LG164

---

## Spare parts list

### Forward and reversible plate

LG164 s/n BGF000001 -



Go to Discount-Equipment.com to order your parts

# PARTS FINDER

**Search Website  
by Part Number**



**Search Manual  
Library For Parts  
Manual & Lookup Part  
Numbers – Purchase  
or Request Quote**

**Can't Find Part or  
Manual? Request Help  
by Manufacturer,  
Model & Description**

Discount-Equipment.com is your online resource for quality parts & equipment.

Florida: **561-964-4949** Outside Florida TOLL FREE: **877-690-3101**

**Need parts?**

Click on this link: <http://www.discount-equipment.com/category/5443-parts/> and choose one of the options to help get the right parts and equipment you are looking for. Please have the machine model and serial number available in order to help us get you the correct parts. If you don't find the part on the website or on one of the online manuals, please fill out the request form and one of our experienced staff members will get back to you with a quote for the right part that your machine needs.

We sell worldwide for the brands: Genie, Terex, JLG, MultiQuip, Mikasa, Essick, Whiteman, Mayco, Toro Stone, Diamond Products, Generac Magnum, Airman, Haulotte, Barreto, Power Blanket, Nifty Lift, Atlas Copco, Chicago Pneumatic, Allmand, Miller Curber, Skyjack, Lull, Skytrak, Tsurumi, Husquvarna Target, Stow, Wacker, Sakai, Mi-T-M, Sullair, Basic, Dynapac, MBW, Weber, Bartell, Bennar Newman, Haulotte, Ditch Runner, Menegotti, Morrison, Contec, Buddy, Crown, Edco, Wyco, Bomag, Laymor, EZ Trench, Bil-Jax, F.S. Curtis, Gehl Pavers, Heli, Honda, ICS/PowerGrit, IHI, Partner, Imer, Clipper, MMD, Koshin, Rice, CH&E, General Equipment, Amida, Coleman, NAC, Gradall, Square Shooter, Kent, Stanley, Tamco, Toku, Hatz, Kohler, Robin, Wisconsin, Northrock, Oztec, Toker TK, Rol-Air, APT, Wylie, Ingersoll Rand / Doosan, Innovatech, Con X, Ammann, Mecalac, Makinex, Smith Surface Prep, Small Line, Wanco, Yanmar

## General information

This spare parts list applies to the following:

Part number	Description
3382 0005 84	LG164-350 Hatz
3382 0005 88	LG164-450 Hatz Bio
3382 0005 89	LG164-450 Honda Bio
3382 0005 90	LG164-450 Honda Bio CRAMO
3382 0005 91	LG164-350 Honda Bio
3382 0005 92	LG164-350 Hatz Bio
3382 0005 85	LG164-450 Hatz
3382 0005 87	LG164-450 Honda
3382 0005 86	LG164-350 Honda
3382 0005 96	LG164-600 Hatz
3382 0005 97	LG164-350 Hatz Loxam
3382 0005 98	LG164-450 Hatz EPA

Use only authorized parts. Any damage or malfunction caused by the use of unauthorized parts is not covered by Warranty or Product Liability. Any unauthorized use or copying of the contents or any part thereof is prohibited. This applies in particular to trademarks, model denominations, part numbers, and drawings.

### Instructions for use

This spare parts list contains no safety regulations and is merely intended to assist in the ordering of spare parts.

For information about operating, servicing, or repairing, the relevant Safety and operating instructions must be consulted at all costs.

Please observe the safety instructions listed in the relevant Safety and operating instructions!

## Contents

### Spare parts list

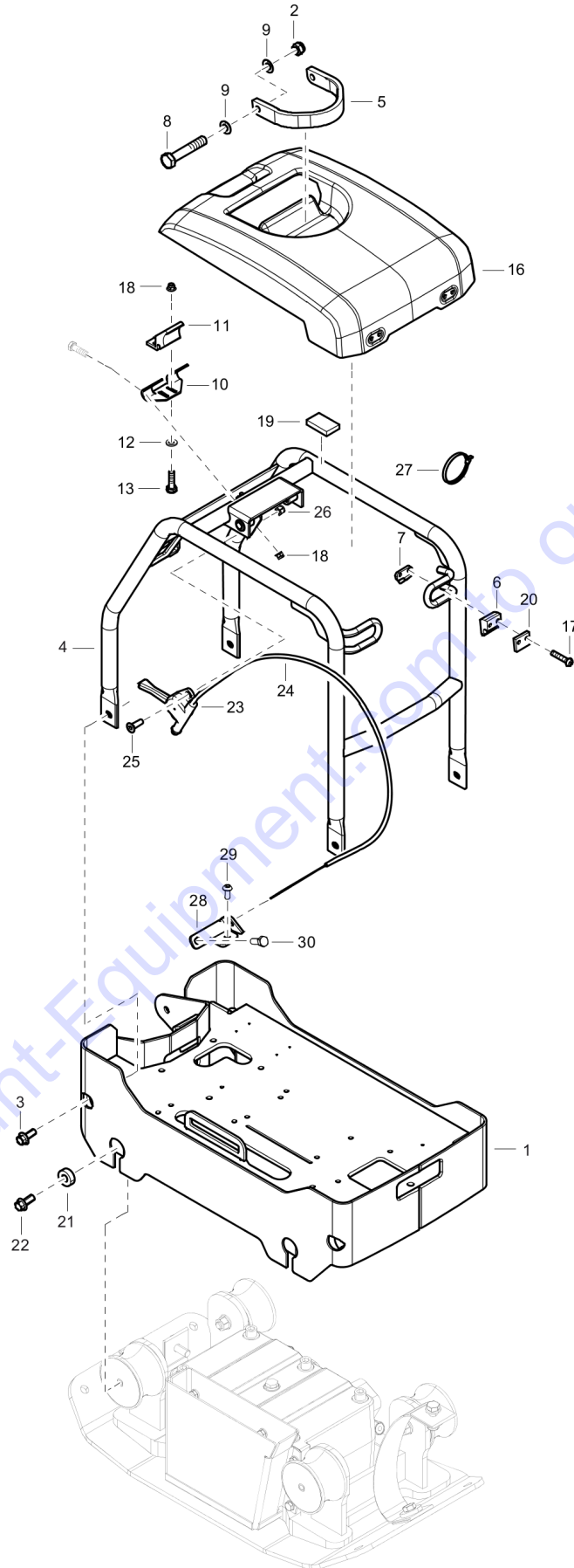
Ground plate and engine plate Honda	1
Ground plate and engine plate Hatz	3
Ground plate and eccentric element installation	5
Eccentric element	7
Engine installation, Honda	10
Engine, Honda GX 160 UT2 SXS4 OH	13
Engine, Hatz 1B20	16
Engine installation, Hatz	21
Hydraulic system	23
Belt tightener	26
Centrifugal clutch, Hatz	29
Centrifugal clutch, Honda	31
Transport device	33
Handle Assembly	35
Lables	37

### Kits

One year service kit, Honda	39
One year service kit, Hatz	41
Shock absorber repair kit	43
Block paving plate kit 350 mm (13.7 in.)	45
Block paving plate kit 450 mm (17.7 in.)	47
Eccentric element repair kit	49
Forward and reverse piston repair kit	51
Transport device kit	53

Go to Discount-Equipment.com to order your parts

Spare parts list Ground plate and engine plate Honda

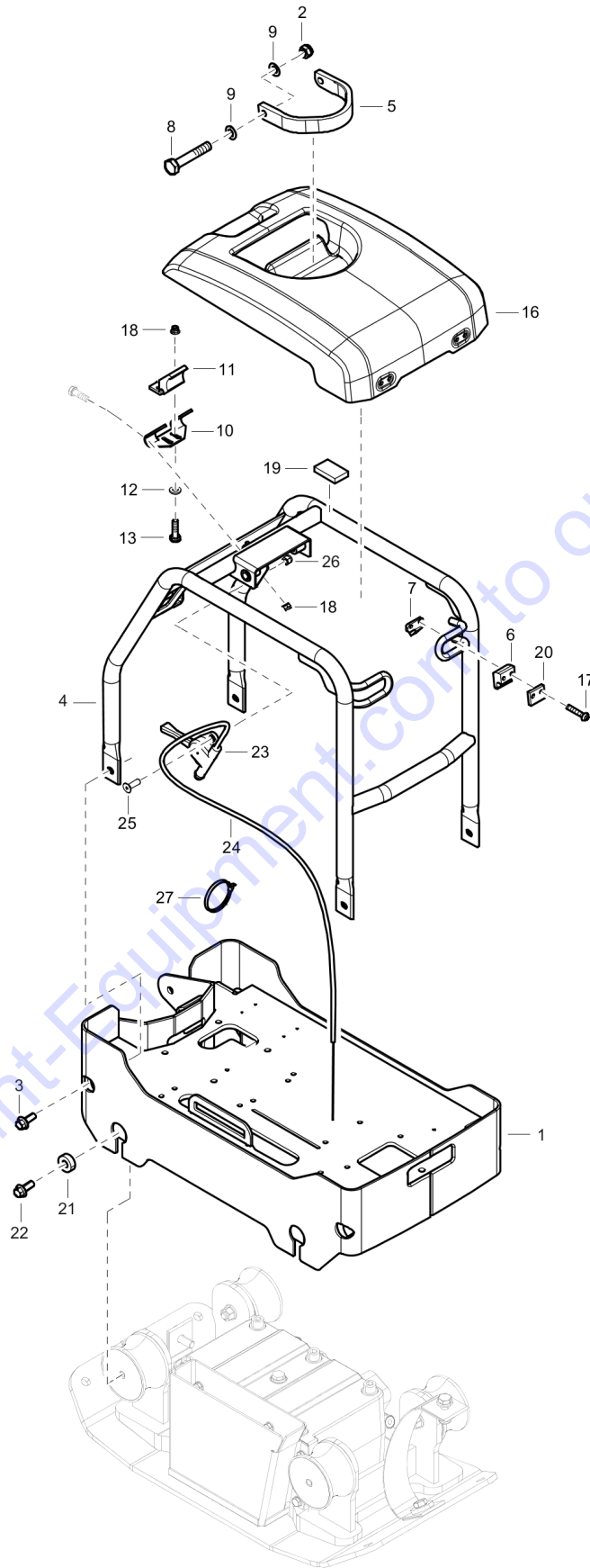


Refer to the Parts Online web page for most up-to-date information. The printed information might be outdated.

Item	Part No.	Name	Qty	L
1	3382014359	Engine plate	1	
2	0291111200	Nut DIN985	2	
3	5541772100	Flange screw	4	
4	3382014384	Protective frame	1	
5	3382010453	Lifting lug	1	
6	4700387260	Clip	2	
7	4700387705	Stop	2	
8	0147140603	Hex. head screw M12 x 55	2	
9	0384300059	Washer	4	
10	3382014380	Bracket	1	
11	3382014973	Clip	1	
12	0301232100	Plain washer(A) 6.4 x 12 x 1.6	2	
13	0147124703	Screw	2	
16	3382014381	Hood	1	
17	0215001107	Screw	4	
18	0291112816	Lock nut,M8	6	
19	4700386496	Rubber cloth	2	
20	3382014285	Distance	2	
21	3382014368	Washer, 10.5 x 22 x 4 mm, 0.41 x 0.87 x 0.16 in. 300 HV	4	
22	5541772100	Flange screw	4	
23	4700390515	Throttle control, complete	1	
24	3382014459	Wire	1	
25	0216195759	Hex.soc contrsrnk screw	2	
26	0291112814	Lock nut, M5 ISO7040	2	
27	0348010117	Cable tie	2	
28	4700392111	Bracket	1	
29	4700903903	Screw, M5 x 12 mm 10.9 FZB	1	
30	4700500013	Screw, M6x16 mm 8.8 A2K	1	

Refer to the Parts Online web page for most up-to-date information. The printed information might be outdated.

Spare parts list Ground plate and engine plate Hatz



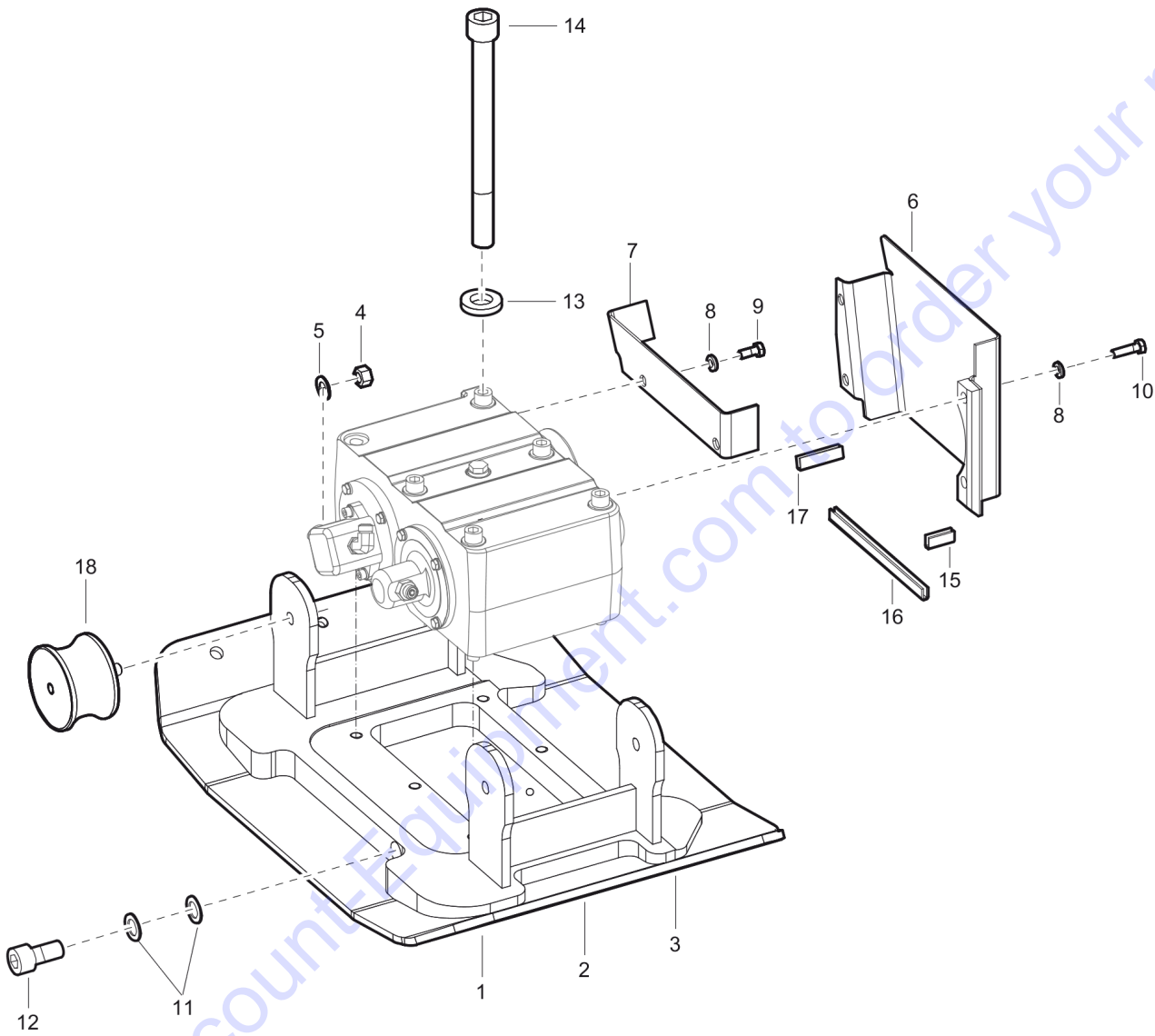
Refer to the Parts Online web page for most up-to-date information. The printed information might be outdated.

Item	Part No.	Name	Qty	L
1	3382014359	Engine plate	1	
2	0291111200	Nut DIN985	2	
3	5541772100	Flange screw	4	
4	3382014384	Protective frame	1	
5	3382010453	Lifting lug	1	
6	4700387260	Clip	2	
7	4700387705	Stop	2	
8	0147140603	Hex. head screw M12 x 55	2	
9	0384300059	Washer	4	
10	3382014380	Bracket	1	
11	3382014973	Clip	1	
12	0301232100	Plain washer(A) 6.4 x 12 x 1.6	2	
13	0147124703	Screw	2	
16	3382014381	Hood	1	
17	0215001107	Screw	4	
18	0291112816	Lock nut,M8	6	
19	4700386496	Rubber cloth	2	
20	3382014285	Distance	2	
21	3382014368	Washer, 10.5 x 22 x 4 mm, 0.41 x 0.87 x 0.16 in. 300 HV	4	
22	5541772100	Flange screw	4	
23	3382012132	Throttle control EPA, complete	1	
24	3382014934	Wire	1	
25	0216195759	Hex.soc contrsrnk screw	2	
26	0291112814	Lock nut, M5 ISO7040	2	
27	0348010117	Cable tie	2	
28	4700392386	Throttle control Non EPA, complete	1	

Refer to the Parts Online web page for most up-to-date information. The printed information might be outdated.



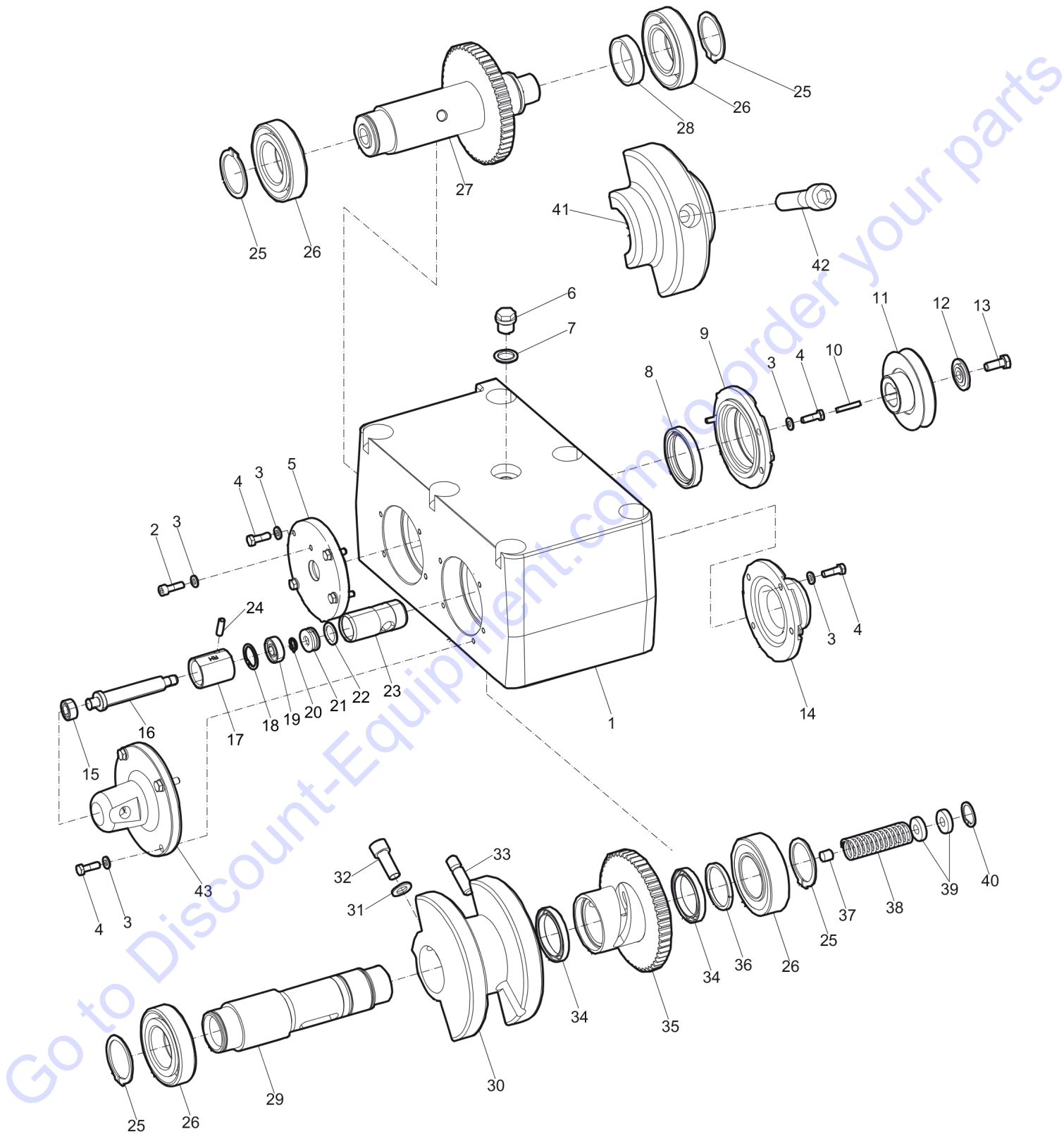
Spare parts list Ground plate and eccentric element installation



Refer to the Parts Online web page for most up-to-date information. The printed information might be outdated.

Item	Part No.	Name	Qty	L
1	3382014365	Ground plate 350 mm	1	
2	4700391895	Ground plate 450mm	1	
3	4700394562	Ground plate 600 mm	1	
4	0266211200	Nut	4	
5	0301235800	Plain washer(A) 13 x 24 x 2.5	4	
6	4700379581	V-belt cover	1	
7	4700390433	Protection	1	
8	0301233500	Plain washer(A) 8.4 x 16 x 1.6	6	
9	0147132303	Hex. head screw	4	
10	0147132603	Hex. head screw M8 x 30	2	
11	4700747541	Copper washer, 16.7 x 24 x 1.5 mm, 0.66 x 0.94 x 0.06 in. TYPE A, M16	2	
12	4700508028	Screw, M10x20H	1	
13	4700904703	Plain washer 13x24x4 mm	6	
14	4700929449	Screw	6	
15	4700202028	Edge trim	1	
16	4700202028	Edge trim	1	
17	4700202028	Edge trim	1	
18	4700390236	Shock absorber	4	

Spare parts list Eccentric element



Refer to the Parts Online web page for most up-to-date information. The printed information might be outdated.

Item	Part No.	Name	Qty	L
1	4700390091	Eccentric housing	1	
2	4700508025	Screw, M6x20 mm 8.8 A2K	2	
3	4700904228	Washer DIN125	18	
4	4700500040	Screw, M6x20 mm 8.8 A2K	16	
5	4700379168	Cover	1	
6	4700232143	Plug, M16	1	
7	4700162011	Washer, 16.7x24x1.5 mm Type A M16	1	
8	4700928794	Sealing ring	1	
9	4700379167	Cover	1	
10	4700350029	Feather key	1	
11	4700390446	Pulley	1	
12	4700280654	Washer	1	
13	4700500028	Screw, M10 x 25 mm 8.8 A3K	1	
14	4812070055	Cover	1	
15	4700281276	Sealing ring	1	
16	4812070051	Piston rod	1	
17	4812070097	Cap	1	
18	4700151039	Retaining ring	1	
19	4812070359	Ball bearing	1	
20	4700150002	Retaining ring	1	
21	4812070362	Thrust ball bearing	1	
22	4812070363	Spring washer	1	
23	4812070053	Piston	1	
24	4812070095	Hydraulic Cylinder	1	
25	4700150017	Retaining ring	4	
26	4700903363	Roller bearing	4	
27	4700379488	Shaft, cpl	1	
28	4700280645	Spacer ring	1	
29	4812070054	Eccentric shaft	1	
30	4700280633	Eccentric	1	
31	4700904231	Washer, 13x24x2 mm 300 HV	1	
32	4700792723	Screw, M12 x 30mm 10.9GEOMET®	1	A
33	4700280644	Pin	1	
34	4700929287	Ball bearing	2	
35	4812070690	Gear wheel	1	
36	4700280646	Spacer	1	
37	4700928241	Screw	1	
38	4700280677	Spring	1	

Refer to the Parts Online web page for most up-to-date information. The printed information might be outdated.

Item	Part No.	Name	Qty	L
39	4700280648	Washer	2	
40	4700151007	Retaining ring	1	
41	4700280632	Eccentric	1	
42	4700792724	Screw, M12 x 60 mm 10.9GEOMET®	1	
43	4812070050	Hydraulic cylinder	1	

Comments for Page: Eccentric element

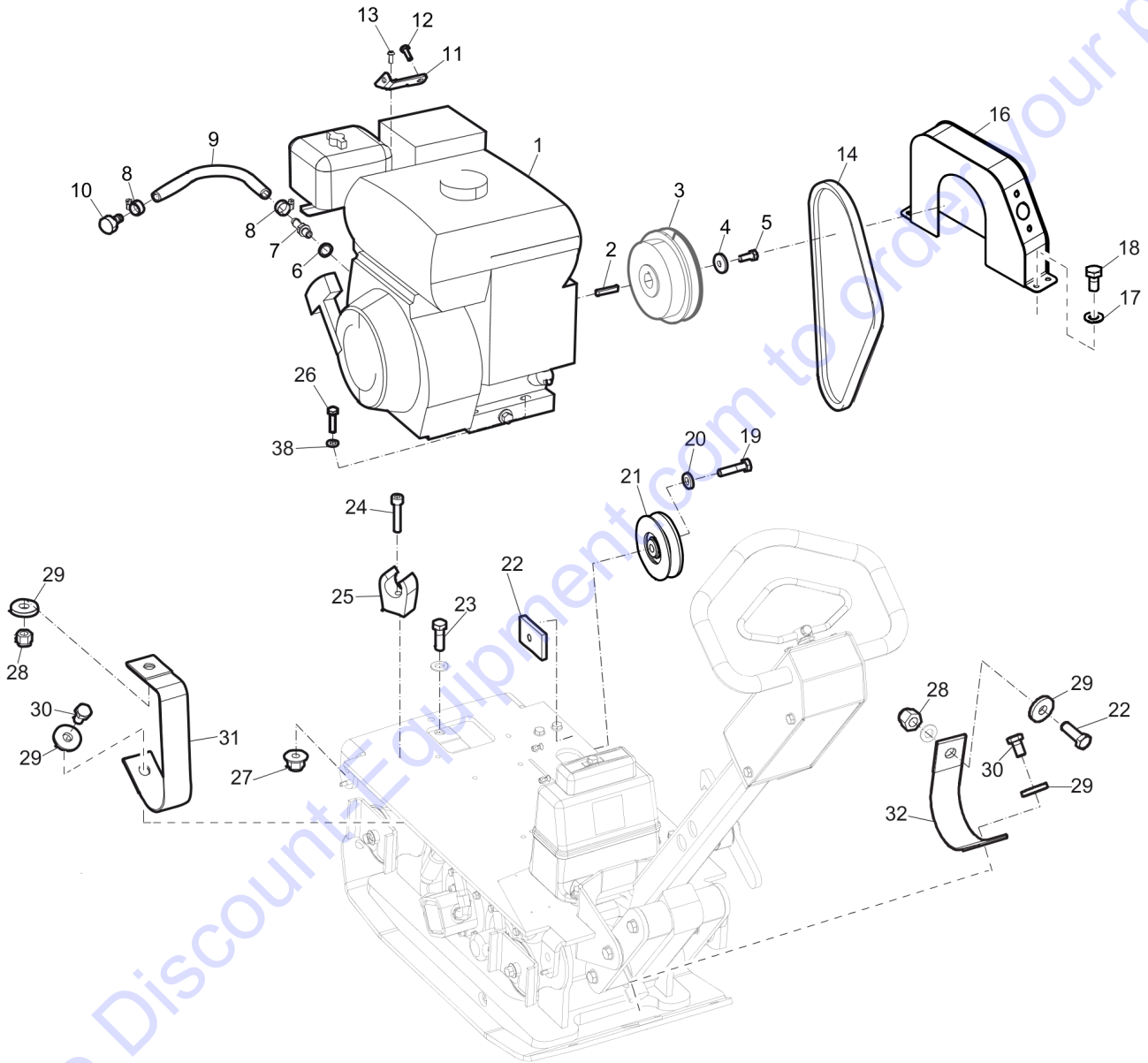
A || GEOMET is a registered trademark of Nof MetalCoatings North America Inc.

Go to Discount-Equipment.com to order your parts

This page intentionally left blank

Go to [Discount-Equipment.com](http://Discount-Equipment.com) to order your parts

Spare parts list Engine installation, Honda



Refer to the Parts Online web page for most up-to-date information. The printed information might be outdated.

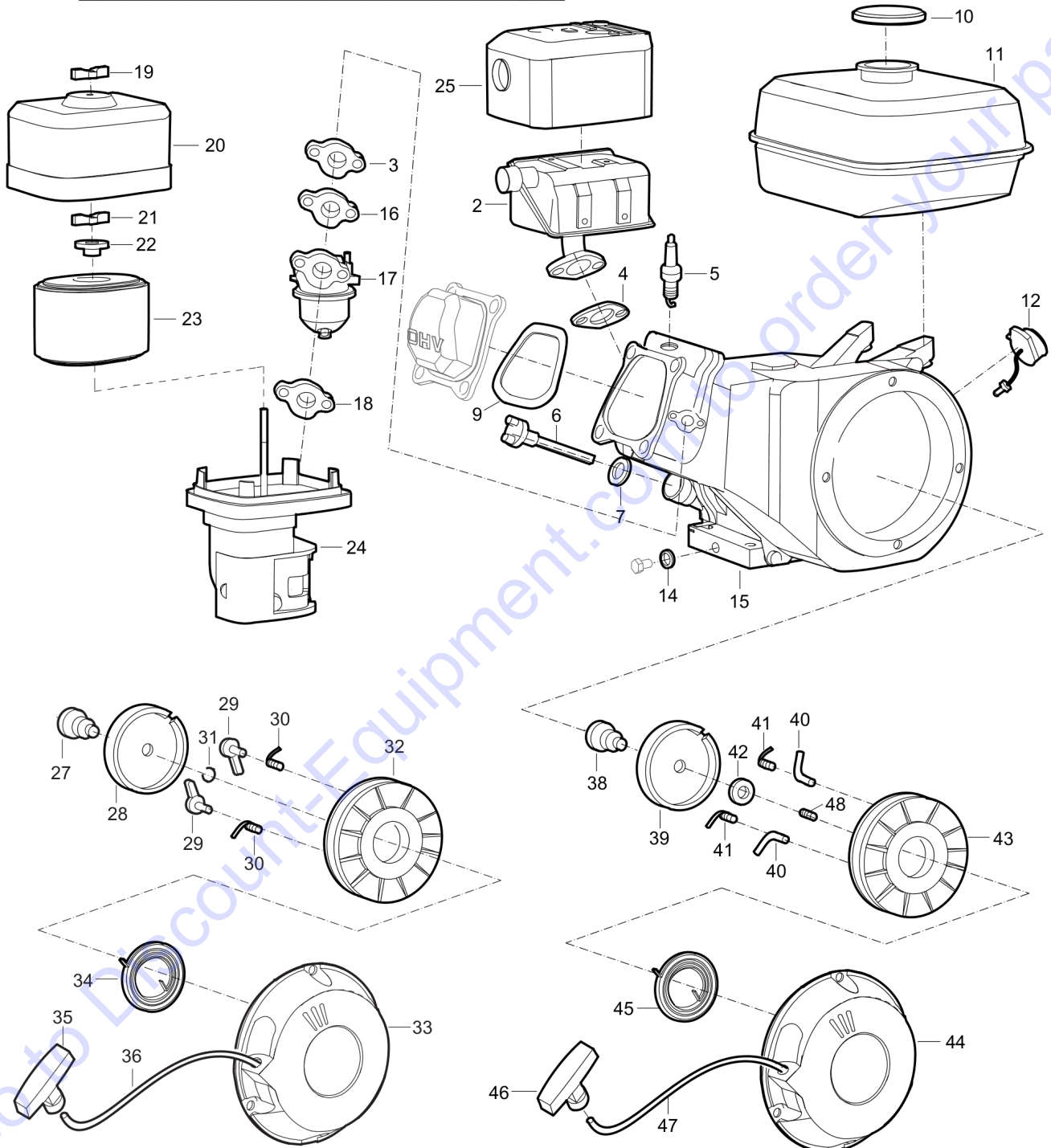
Item	Part No.	Name	Qty	L
1	4700281125	Engine, Honda GX160UT2 SXS4 SD	1	
2	3382015357	Key	1	
3	4700394422	Clutch, cpl	1	
4	4700904734	Washer, 8.4x26x4 mm 300 HV	1	
5	4700500053	Screw, M8x20 mm 8.8 A2K	1	
6	4700330328	Washer, 10x14x 1 mm	1	
7	4812070374	Hose connection	1	
8	4700313001	Hose clamp	2	
9	3382010186	Hose	1	
10	3382010180	Plug	1	
11	4700392111	Bracket	1	
12	4700500013	Screw, M6x16 mm 8.8 A2K	1	
13	4700903903	Screw, M5 x 12 mm 10.9 FZB	1	
14	3382014972	V-belt	1	
16	3382014421	V-belt cover	1	
17	0300013055	Washer, 8.4 x 16 x 1.5 mm, 0.33 x 0.63 x 0.06 in. 300 HV	4	
18	0147132203	Hex. head screw M8 x 16	4	
19	0147140103	Hex. head screw M12 x 30	1	
20	4700904213	Steel Plain Washer	1	
21	4700280835	Belt tightener	1	
22	4700390416	Bracket	1	
23	0147140203	Screw	2	
24	0211121003	Screw, M5 x 25 mm 8.8 A2K	1	
25	4700281234	Ryw-clips	1	
26	0147132603	Hex. head screw M8 x 30	4	
27	0291112856	Nut, M5 A2K	1	
28	0291112822	Locknut	2	
29	0303115900	Washer, 13 x 36 x 6 mm, 0.51 x 1.42 x 0.24 in. 300 HV	4	
30	0147139803	Screw	2	
31	3382010059	Strap	1	
38	0301233500	Plain washer(A) 8.4 x 16 x 1.6	4	

Refer to the Parts Online web page for most up-to-date information. The printed information might be outdated.



Spare parts list Engine, Honda GX 160 UT2 SXS4 OH

1																								
2	3	4	5	6	7	9	10	11	12	14	15	16	17	18	19	20	21	22	23	24	25			



Refer to the Parts Online web page for most up-to-date information. The printed information might be outdated.

Item	Part No.	Name	Qty	L
1	4700281125	Engine, Honda GX160UT2 SXS4 SD	1	
2	3382100163	Silencer	1	
3	3382100168	Gasket	1	
4	4700239063	Gasket, muffler	1	
5	3382100167	Spark plug	1	
6	3382100165	Oil dipstick, complete	1	
7	3382100166	Gasket	1	
9	4700238301	Gasket	1	
10	3382100174	Fuel cap	1	
11	3382100173	Fuel tank	1	
12	3382100172	Engine switch	1	
14	4700238303	Gasket	1	
15	--	Engine part	1	
16	4700937049	Gasket	1	
17	3382100164	Carburetor	1	
18	4700939659	Spacer	1	
19	4700239771	Nut	1	
20	4700239685	Cover	1	
21	4700239771	Nut	1	
22	4700239772	Grommet	1	
23	4700239323	Air filter, complete	1	
24	4700938230	Air filter housing	1	
25	4700239060	Muffler cover, upper	1	
27	4700239381	Screw	1	
28	4700239380	Guide	1	
29	4700239378	Ratchet	2	
30	4700239377	Spring	2	
31	4700239379	Friction spring	1	
32	4700239376	Reel	1	
33	---	Housing	1	
34	4700239375	Spring	1	
35	4700239391	Handle	1	
36	4700239374	Starter rope	1	
38	3382100177	Adjustment screw	1	
39	4700239380	Guide	1	
40	3382100169	Ratchet	2	
41	4700239377	Spring	2	
42	3382100170	Friction washer	1	

Refer to the Parts Online web page for most up-to-date information. The printed information might be outdated.

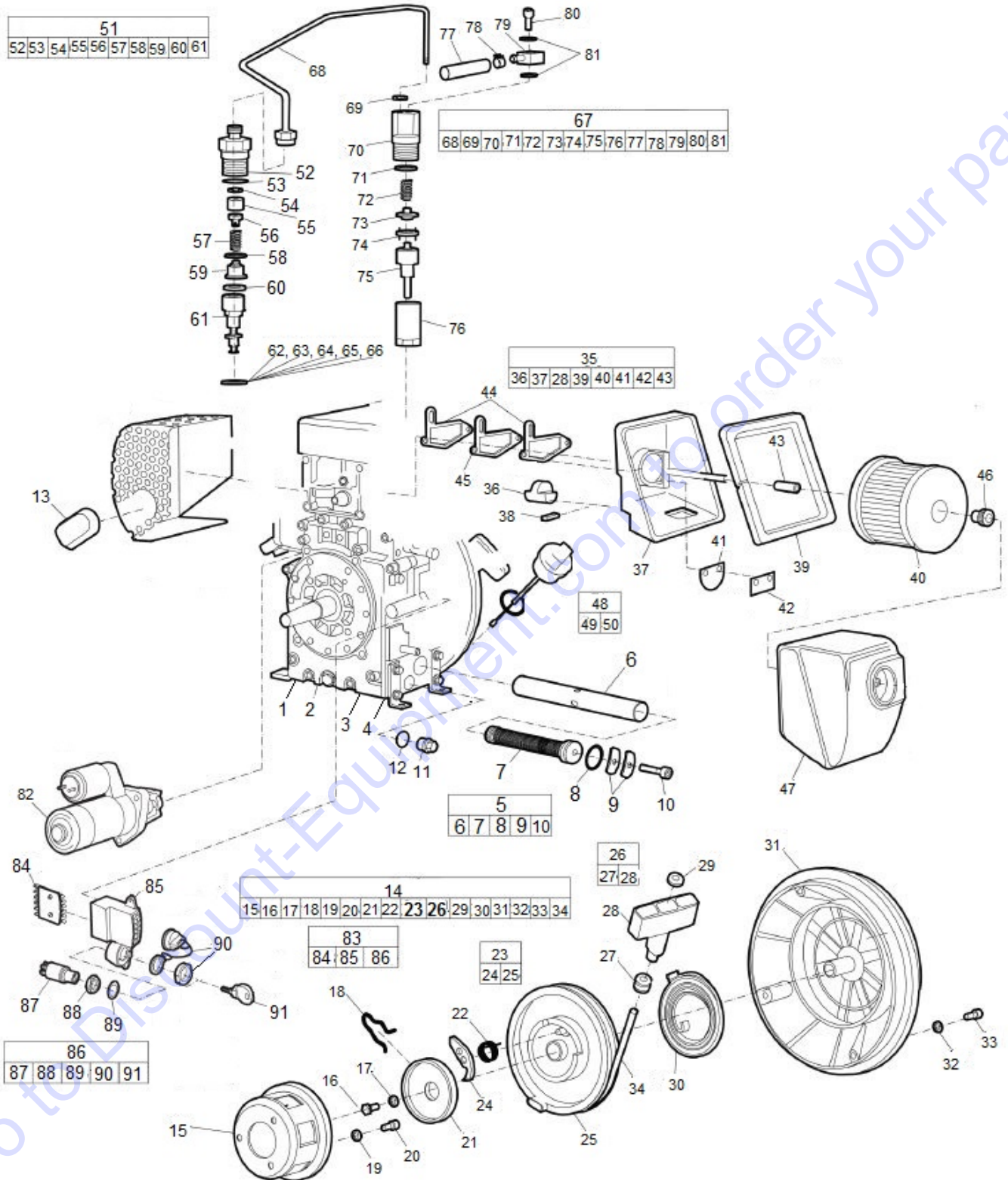
Item	Part No.	Name	Qty	L
43	3382100171	Reel	1	
44	---	Housing	1	
45	4700239375	Spring	1	
46	4700239391	Handle	1	
47	4700239374	Starter rope	1	
48	3382100175	Friction spring	1	

Go to Discount-Equipment.com to order your parts

This page intentionally left blank

Go to [Discount-Equipment.com](http://Discount-Equipment.com) to order your parts

Spare parts list Engine, Hatz 1B20



Refer to the Parts Online web page for most up-to-date information. The printed information might be outdated.

Item	Part No.	Name	Qty	L
1	3382012245	Engine, Hatz 1B20 EPA	2	D
2	3382012242	Engine, Hatz 1B20 manual start EPA	1	
3	4700391057	Engine, cpl Hatz 1B20, electrical started	1	
4	4700391058	Engine, cpl Hatz 1B20 Non EPA version	1	
5	4700937001	Oil strainer, cpl	1	
6	-	Tube	1	
7	-	Oil strainer	1	
8	-	O-ring	1	
9	-	Washer	1	
10	-	Screw	1	
11	4700937002	Plug	1	
12	4700748479	Washer	1	
13	4700937004	Exhaust pipe	1	
14	4700936982	Recoil starter, cpl	1	
15	4700936999	Starter pulley	1	
16	-	Screw	1	
17	-	Washer	1	
18	4700936991	Spring	1	
19	-	Spring washer	1	
20	-	Screw	1	
21	3382015174	Fricion plate	1	
22	4700936996	O-ring	1	
23	4700936990	Reel	1	
24	4700936995	Ratchet	1	
25	-	Start pulley	1	
26	4700936983	Handle, complete	1	
27	3382100145	Sleeve	1	
28	-	Handle	1	
29	3382100146	Washer, 5.3 mm, 0.21 in.	1	
30	4700936985	Spiral spring	1	
31	3382015175	Housing	1	
32	-	Washer	4	
33	-	Screw	4	
34	4700936989	Starting rope	1	
35	3382100150	Air filter housing, complete	1	
36	-	Vent nipple	1	
37	-	Housing	1	
38	-	Sealing strip	1	

Refer to the Parts Online web page for most up-to-date information. The printed information might be outdated.

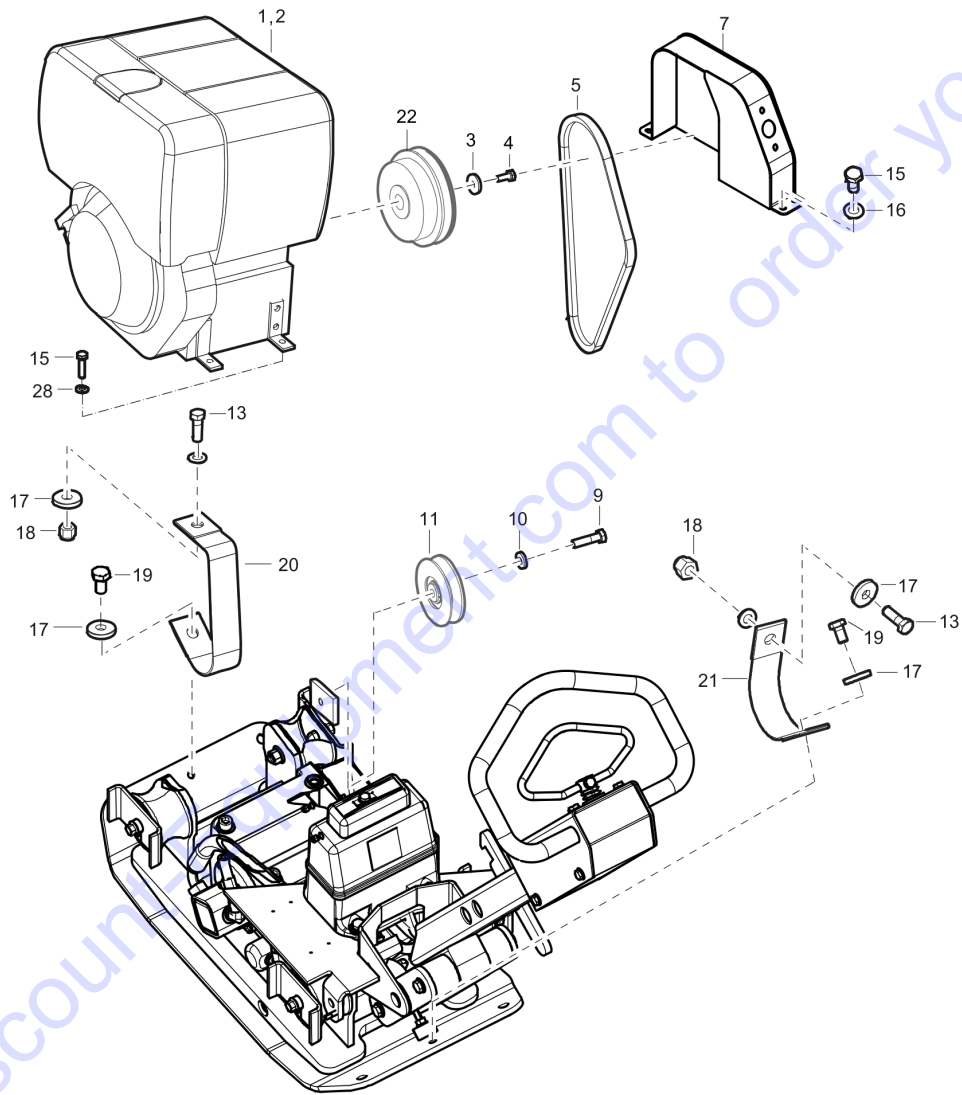
Item	Part No.	Name	Qty	L
39	-	Sealing strip	1	
40	4700937013	Air filter	1	
41	-	Valve plate	1	
42	-	Valve plate	1	
43	-	Rubber sleeve	1	
44	4700937022	Gasket	2	
45	4700937023	Gasket	1	
46	4700937014	Nut	1	
47	3382015176	Protecting cover	1	
48	4700937608	Oil dipstick	1	
49	-	Dipstick	1	
50	4700945425	O-ring	1	
51	3382015166	Injection pump	1	
52	-	Pump part	1	
53	-	Pump part	1	
54	-	Pump part	1	
55	-	Pump part	1	
56	-	Pump part	1	
57	-	Pump part	1	
58	-	Pump part	1	
59	-	Pump part	1	
60	-	Pump part	1	
61	-	Pump part	1	
62	4700936977	O-ring 0,2 mm	1	
63	4700936978	O-ring 0,3 mm	1	
64	4700936979	O-ring 0,4 mm	1	
65	4700936980	O-ring 0,5 mm	1	
66	4700936981	O-ring 0,6 mm	1	
67	3382100155	Injector, complete	1	
68	-	Injector part	1	
69	-	Injector part	1	
70	-	Injector part	1	
71	-	Injector part	1	
72	-	Injector part	1	
73	-	Injector part	1	
74	-	Injector part	1	
75	-	Injector part	1	
76	-	Injector part	1	

Refer to the Parts Online web page for most up-to-date information. The printed information might be outdated.

Item	Part No.	Name	Qty	L
77	-	Injector part	1	
78	-	Injector part	1	
79	-	Injector part	1	
80	-	Injector part	1	
81	-	Injector part	1	
82	4700938935	Starter	1	
83	4700939588	Instrument box, cpl	1	
84	-	Circuit card	1	
85	-	Housing	1	
86	3382015167	Ignition switch	1	
87	-	Ignition switch part	1	
88	-	Ignition switch part	1	
89	-	Ignition switch part	1	
90	3382015178	Dust cover	1	
91	3382100196	Ignition key	1	

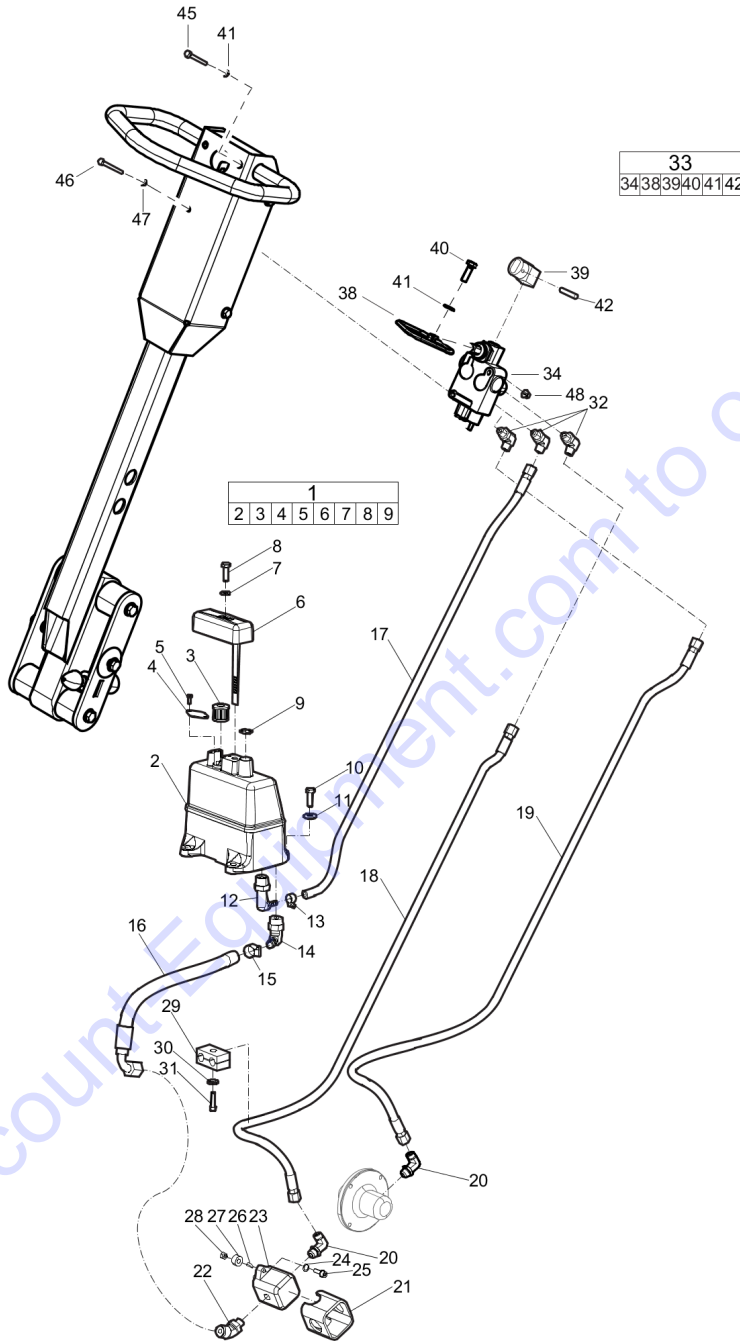


Spare parts list Engine installation, Hatz



Item	Part No.	Name	Qty	L
1	4700391058	Engine, cpl Hatz 1B20 Non EPA version	1	
2	3382012242	Engine, Hatz 1B20 manual start EPA	1	
3	0300013080	Washer, 8.4 x 26 x 4 mm, 0.33 x 1.02 x 0.16 in. 300 HV	1	
4	0147132503	Hex. head screw	1	
5	4700281336	V-belt	1	
7	3382014415	V-belt cover	1	
9	0147140103	Hex. head screw M12 x 30	1	
10	0300013079	Washer, 10.5 x 22 x 4 mm, 0.41 x 0.87 x 0.16 in. 300 HV	1	
11	4700280835	Belt tightener	1	
13	0147140203	Screw	2	
15	0147132303	Hex. head screw	4	
16	0301233500	Plain washer(A) 8.4 x 16 x 1.6	4	
17	0303115900	Washer, 13 x 36 x 6 mm, 0.51 x 1.42 x 0.24 in. 300 HV	4	
18	0291112822	Locknut	2	
19	0147139803	Screw	2	
20	3382010059	Strap	2	
21	3382010874	Strap	1	
22	4700378033	Clutch, cpl	1	
28	0301233500	Plain washer(A) 8.4 x 16 x 1.6	4	

Spare parts list Hydraulic system



Refer to the Parts Online web page for most up-to-date information. The printed information might be outdated.

Item	Part No.	Name	Qty	L
1	4700376677	Hydraulic oil tank, complete	1	
2	--	Hydraulic oil tank	1	
3	4700381566	Air filter	1	
4	4700381563	Holder	1	
5	4700904960	Screw, K50 x 12 mm Type KX-PT	2	
6	4700381385	Cover with oil dipstick	1	
7	4700904229	Washer, 8.4x 6x1.5 mm 300HV	1	
8	4700500021	Screw, M8x25 mm 8.8 A2K	1	
9	4700160110	O-ring	1	
10	0147136203	Screw	4	
11	0301234400	Washer plain	4	
12	4700376674	Adapter	1	
13	4700313108	Hose clamp	1	
14	4700924996	Hose connection	1	
15	4700313003	Hose clamp	1	
16	4700391801	Hydraulic hose	1	
17	4700390431	Hydraulic hose	1	
18	4700483900	Hydraulic hose	1	
19	4700483906	Hydraulic hose	1	
20	4700792272	Elbow 90 orfs	2	
21	4700280540	Cover	1	
22	4700792253	Elbow	1	
23	4700383562	Hydraulic pump	1	
24	4700904228	Washer DIN125	2	
25	4700508025	Screw, M6x20 mm 8.8 A2K	2	
26	4700928789	Key	1	
27	4700928894	Sleeve	1	
28	4700570004	Hexagon nut M6	1	
29	4700792273	Pipe clamp block	1	
30	0301232100	Plain washer(A) 6.4 x 12 x 1.6	1	
31	0211124903	Hex socket screw	1	
32	4700791397	Elbow 90, O-ring	3	
33	4700282993	Valve, complete	1	
34	-	Valve body	1	
38	3382014391	Lever	1	
39	3382100268	Housing	1	
40	0147132503	Hex. head screw	2	
41	0301233500	Plain washer(A) 8.4 x 16 x 1.6	8	

Refer to the Parts Online web page for most up-to-date information. The printed information might be outdated.

Item	Part No.	Name	Qty	L
42	3382100269	Pin	1	
45	0147132203	Hex. head screw M8 x 16	2	
46	0147125503	Screw, M6 x 55 mm 8.8 A2K	2	
47	0301232100	Plain washer(A) 6.4 x 12 x 1.6	2	
48	0291112815	Locknut	2	

Go to Discount-Equipment.com to order your parts

# PARTS FINDER

**Search Website  
by Part Number**



**Search Manual  
Library For Parts  
Manual & Lookup Part  
Numbers – Purchase  
or Request Quote**

**Search Manuals**

Enter your information to help us find the right parts manual for your machine.

\* Brand:

\* Model:

\* Serial:

\* Part Number:

SEARCH

**Can't Find Part or  
Manual? Request Help  
by Manufacturer,  
Model & Description**

**Parts Order Form**

Please fill in the following information to help us find the right part for your machine.

Manufacturer:	<input type="text"/>
Model:	<input type="text"/>
Description:	<input type="text"/>
Part Number:	<input type="text"/>
Quantity:	<input type="text"/>
Notes:	<input type="text"/>

Submit

Discount-Equipment.com is your online resource for quality parts & equipment.

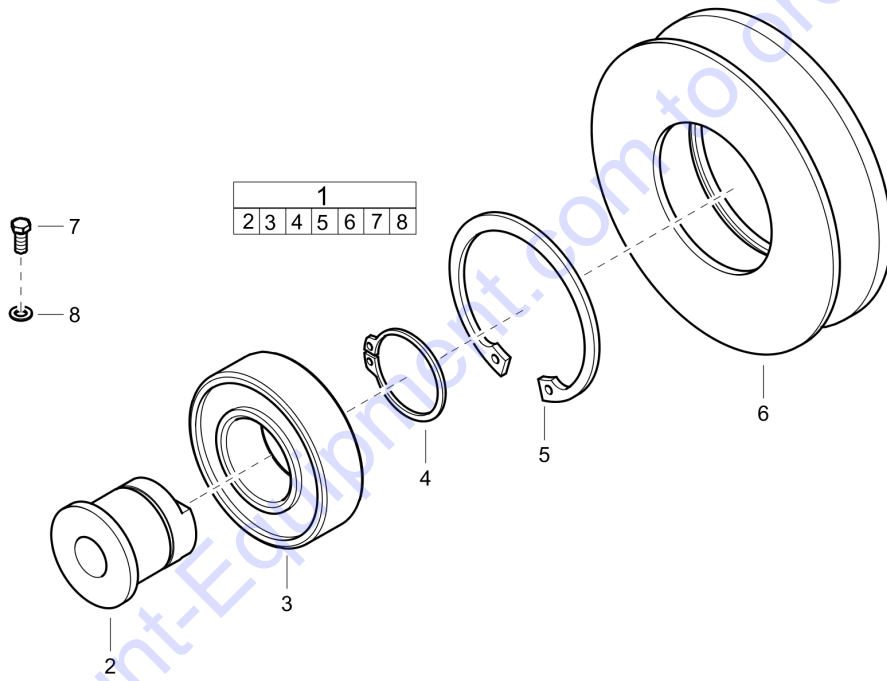
Florida: **561-964-4949** Outside Florida TOLL FREE: **877-690-3101**

**Need parts?**

Click on this link: <http://www.discount-equipment.com/category/5443-parts/> and choose one of the options to help get the right parts and equipment you are looking for. Please have the machine model and serial number available in order to help us get you the correct parts. If you don't find the part on the website or on one of the online manuals, please fill out the request form and one of our experienced staff members will get back to you with a quote for the right part that your machine needs.

We sell worldwide for the brands: Genie, Terex, JLG, MultiQuip, Mikasa, Essick, Whiteman, Mayco, Toro Stone, Diamond Products, Generac Magnum, Airman, Haulotte, Barreto, Power Blanket, Nifty Lift, Atlas Copco, Chicago Pneumatic, Allmand, Miller Curber, Skyjack, Lull, Skytrak, Tsurumi, Husquvarna Target, Stow, Wacker, Sakai, Mi-T-M, Sullair, Basic, Dynapac, MBW, Weber, Bartell, Bennar Newman, Haulotte, Ditch Runner, Menegotti, Morrison, Contec, Buddy, Crown, Edco, Wyco, Bomag, Laymor, EZ Trench, Bil-Jax, F.S. Curtis, Gehl Pavers, Heli, Honda, ICS/PowerGrit, IHI, Partner, Imer, Clipper, MMD, Koshin, Rice, CH&E, General Equipment, Amida, Coleman, NAC, Gradall, Square Shooter, Kent, Stanley, Tamco, Toku, Hatz, Kohler, Robin, Wisconsin, Northrock, Oztec, Toker TK, Rol-Air, APT, Wylie, Ingersoll Rand / Doosan, Innovatech, Con X, Ammann, Mecalac, Makinex, Smith Surface Prep, Small Line, Wanco, Yanmar

Spare parts list Belt tightener



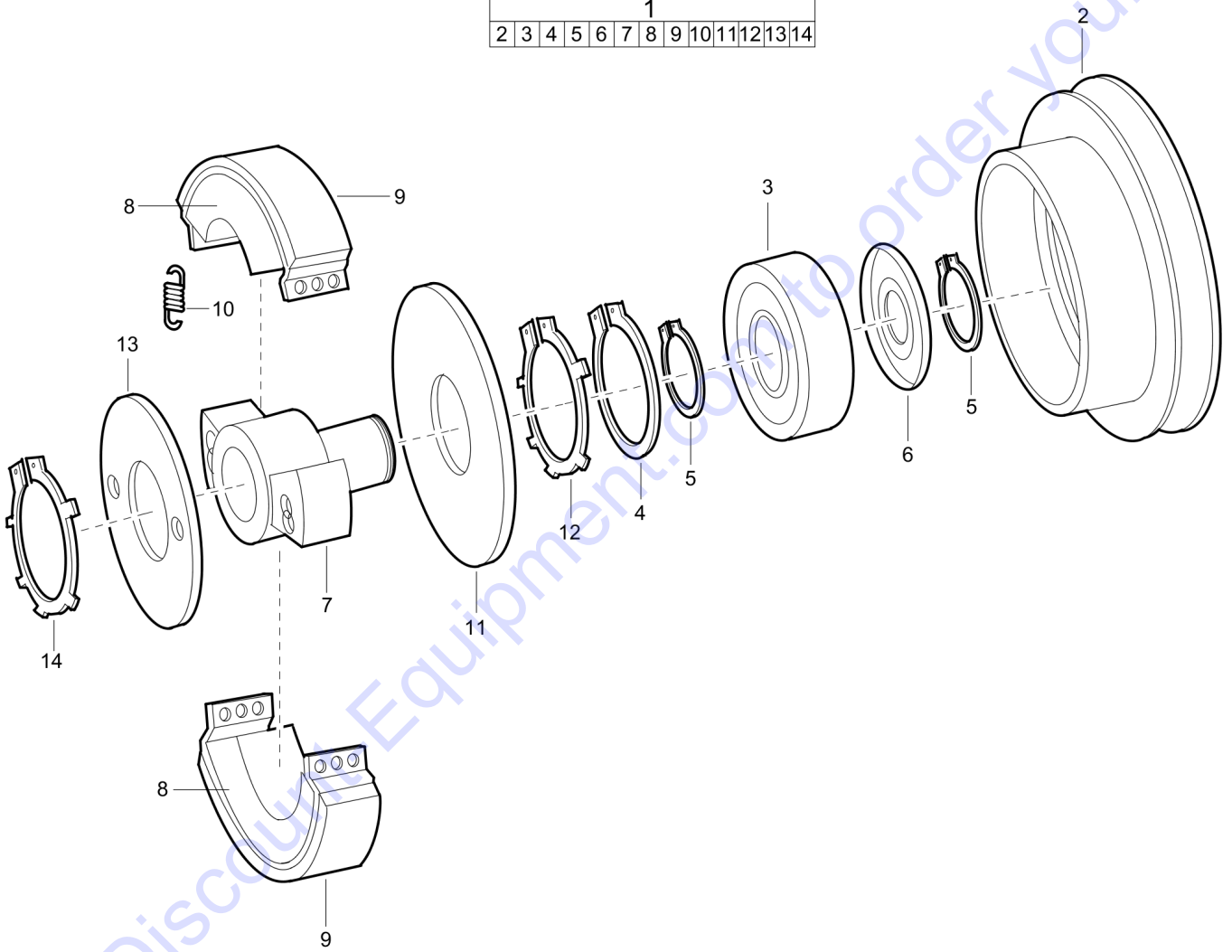
Item	Part No.	Name	Qty	L
1	4700280835	Belt tightener	1	
2	4700280837	Shaft	1	
3	4700111114	deep groove ball bearing	1	
4	0335112700	Circlip	1	
5	4700151017	Bore Circlip	1	
6	4700280836	V-belt pulley	1	
7	0147140103	Hex. head screw M12 x 30	1	
8	4700904213	Steel Plain Washer	1	

Go to Discount-Equipment.com to order your parts



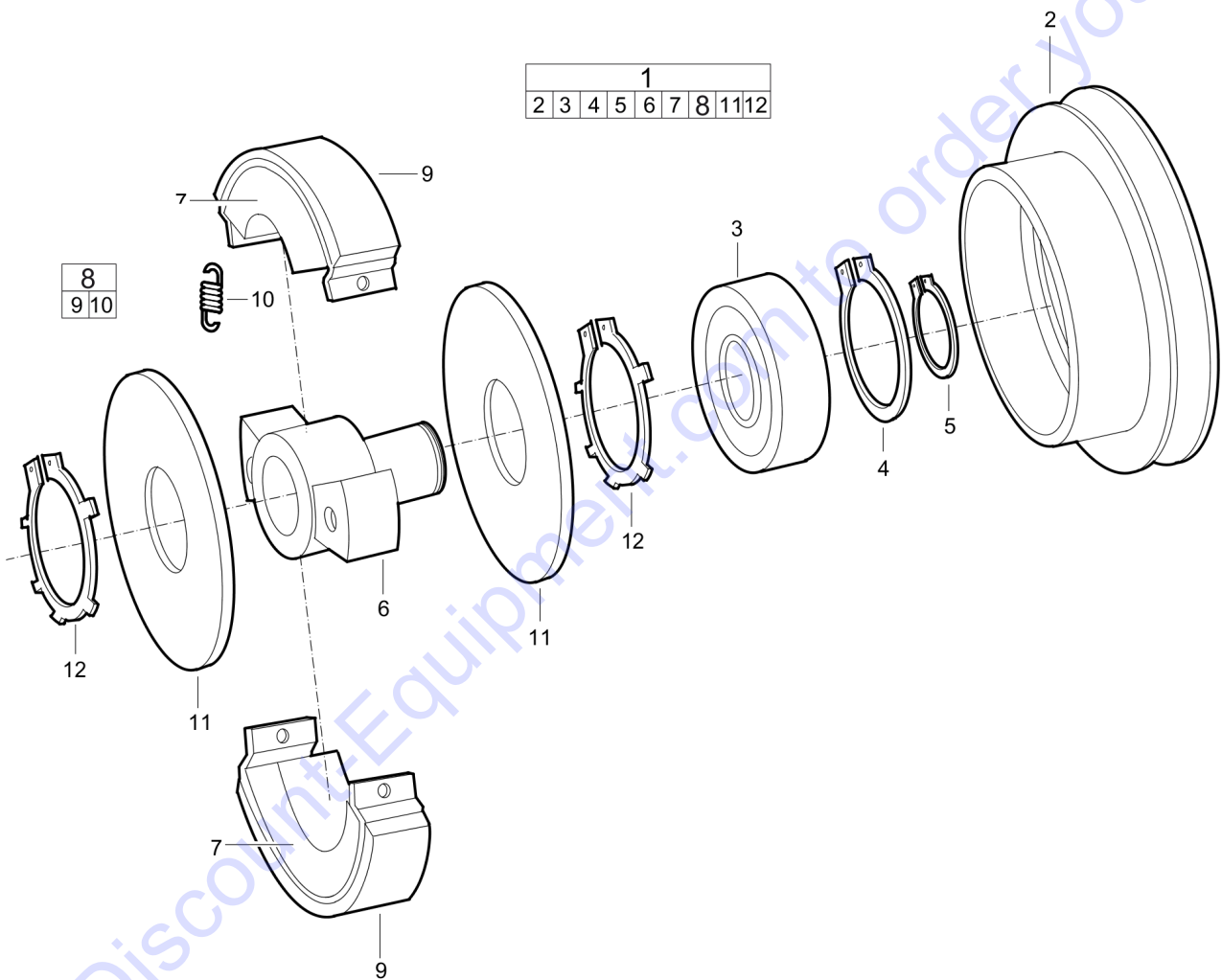
Spare parts list Centrifugal clutch, Hatz

													1	
2	3	4	5	6	7	8	9	10	11	12	13	14		



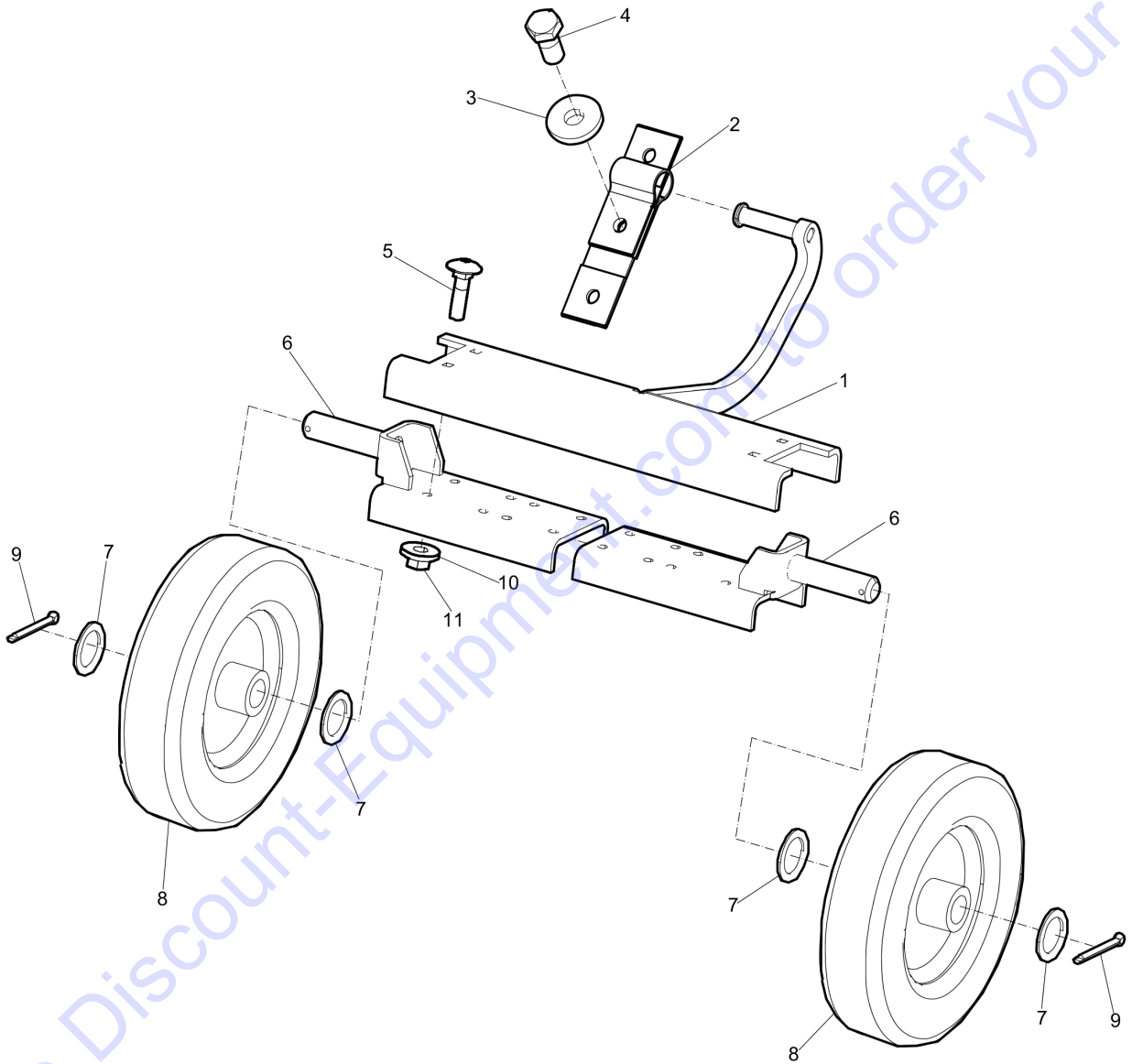
Item	Part No.	Name	Qty	L
1	4700378033	Clutch, cpl	1	
2	4700937029	V-belt pulley	1	
3	4700938724	Ball bearing	1	
4	4700938725	Retaining ring	1	
5	4700938726	Snap ring	2	
6	4700134036	Nilos ring	1	
7	4700937031	Hub	1	
8	3382010185	Clutch weight	2	
9	4700945612	Clutch lining	2	
10	4700937527	Spring	4	
11	4700239857	Cover	1	
12	4700938532	Retaining ring	1	
13	4700239768	Cover	1	
14	4700239734	Retaining ring	1	

Spare parts list Centrifugal clutch, Honda



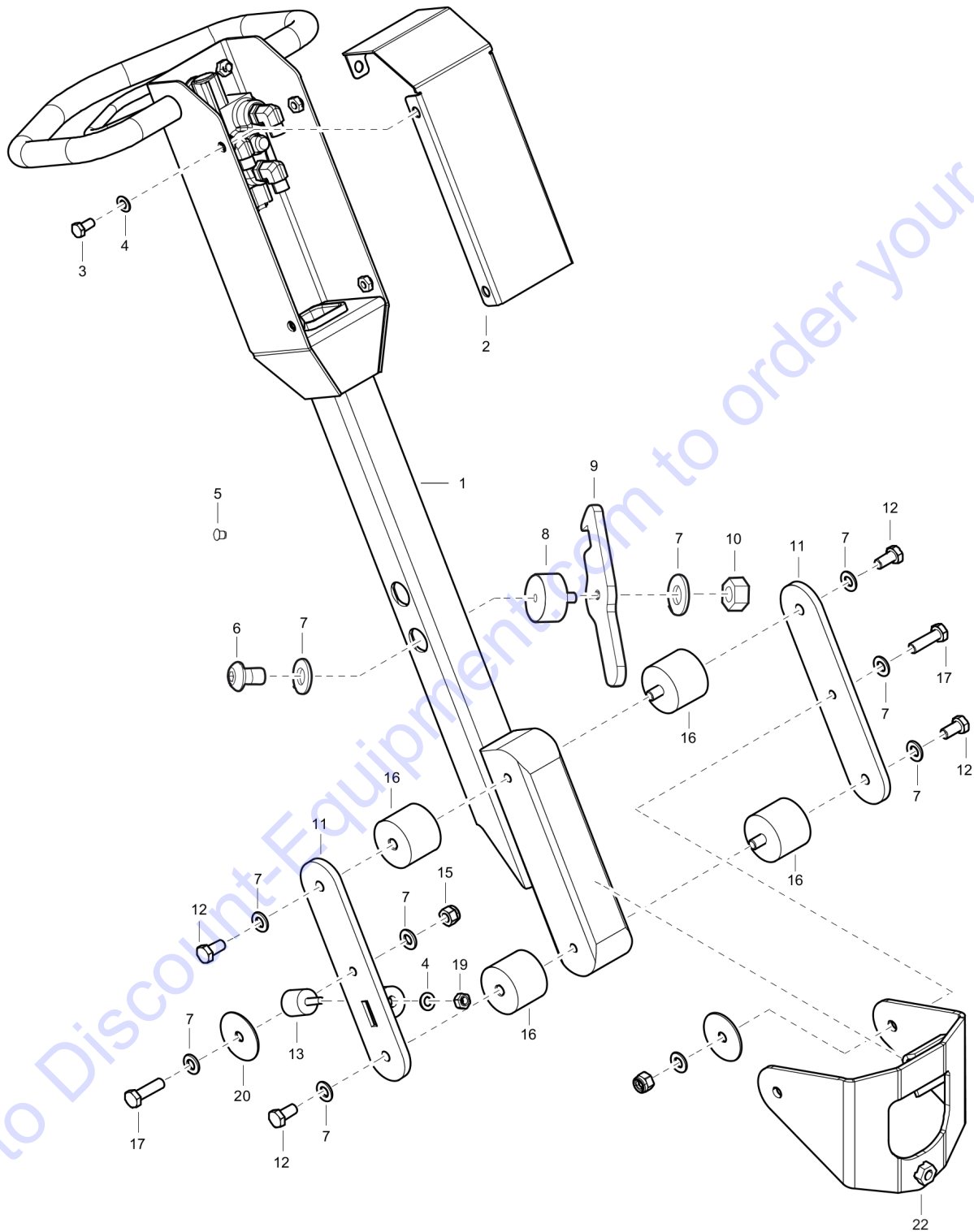
Item	Part No.	Name	Qty	L
1	4700394422	Clutch, cpl	1	
2	4700950351	V-belt pulley	1	
3	4700937034	Bearing	1	
4	4700937035	Retaining ring	1	
5	4700937036	Retaining ring	1	
6	4700938701	Hub	1	
7	4700239290	Weight	2	
8	4700945616	Clutch lining kit	1	
9	---	Clutch lining	2	
10	---	Spring	2	
11	4700239768	Cover	2	
12	4700239734	Retaining ring	2	

Spare parts list Transport device



Item	Part No.	Name	Qty	L
1	4700394933	Transport device	1	
2	3382010874	Strap	1	
3	-	Washer, 13 x 36 x 6 mm, 0.51 x 1.42 x 0.24 in. 300 HV	1	
4	-	Screw, M12 x 25 mm 8.8 A3K	1	
5	-	Screw, M8 x 30 mm 8.8	4	
6	4700394985	Wheel bracket	2	
7	4700271032	Washer	4	
8	4700383598	Wheel	2	
9	0111125203	Cotter pin	2	
10	-	Washer, 8.4 x 22 x 3 mm, 0.33 x 0.87 x 0.12 in. 300 HV	4	
11		Nut, M8 A2K	4	

Spare parts list Handle Assembly

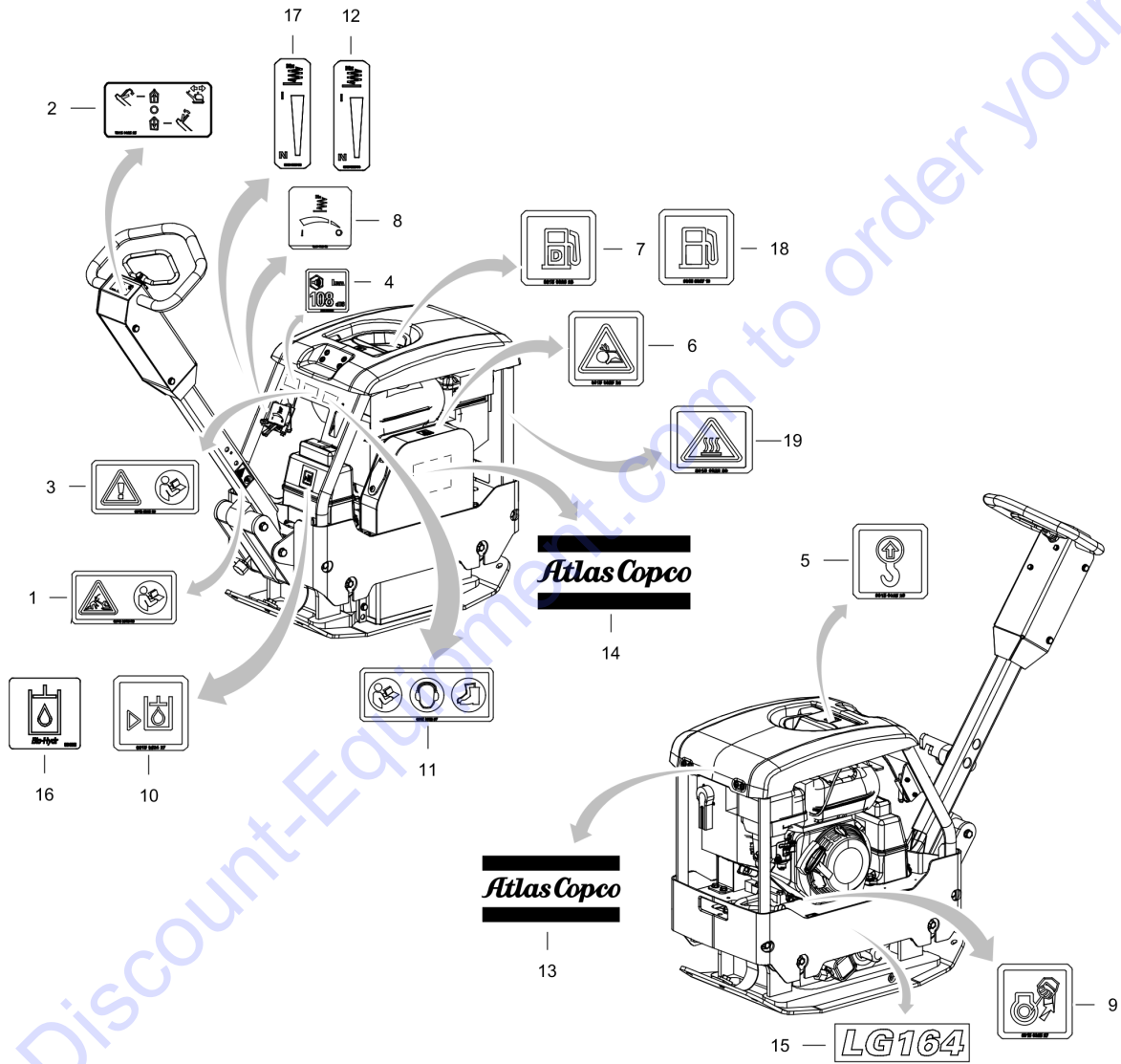


Refer to the Parts Online web page for most up-to-date information. The printed information might be outdated.

Item	Part No.	Name	Qty	L
1	3382014398	Handle	1	
2	3382014405	Cover	1	
3	0147132203	Hex. head screw M8 x 16	4	
4	0301233500	Plain washer(A) 8.4 x 16 x 1.6	9	
5	4700926215	Protective plug	2	
6	0215001029	Screw	1	
7	0300027438	Washer	10	
8	4700385387	Shock absorber	1	
9	4700382496	Hook	1	
10	0266211100	Nut DIN934	1	
11	4700390448	Bracket	2	
12	0147136003	Screw	4	
13	4700792378	Shock absorber	2	
15	0291112820	Locknut	2	
16	4700792377	Shock absorber	4	
17	0147136403	Hexagon bolt	2	
19	0266211000	Nut	1	
20	4700792379	Plastic washer	2	
22	3382014355	Bracket	1	



Spare parts list Lables



Item	Part No.	Name	Qty	L
1	8915002523	Safety label, lock handle	1	
2	8915002525	Label, operator panel	1	
3	8915002529	Safety label, read instruction manual	1	
4	8915002680	Decal, Noise 108 dB	1	
5	8915002528	label, lifting point	1	
6	8915002526	Safety label, rotating V-belts	1	
7	8915002626	Label,fuel	1	
8	8915002521	Label, throttle control non EPA	1	
9	8915002527	Label, manual start	1	
10	8915002427	Label, hydraulic oil level	1	
11	8915002387	Safety label, read instructions, ear protection and safety boots	1	
12	8915002794	Gas Throttle Control Honda	1	
13	8915300219	AC Logotype	1	
14	8915300223	AC Logotype	1	
15	8915300298	Decal LG 164	1	
16	4700904601	Decal biodegradable hydraulic oil	1	
17	8915002795	Label, Gas throttle Control Hatz	1	
18	8915002716	PETROL FUEL	1	
19	8915002389	Safety label, hot surfaces	1	

**Kits** One year service kit, Honda

NO EXPLODED VIEW  
AVAILABLE  
FOR THIS BOM

Go to [Discount-Equipment.com](http://Discount-Equipment.com) to order your parts

Item	Part No.	Name	Qty	L
1	3382100600	500 Hours Service Kit / 12 Months Service Kit	1	
1	4700239323	Air filter, complete	2	
2	4700238303	Gasket	1	
3	4700239374	Starter rope	1	
4	4700924842	Spark plug	1	
5	3382014972	V-belt	1	
6	4700238301	Gasket	1	
7	9234001203	Cobra & compactor Impact-OIL 1L	2	

Go to Discount-Equipment.com to order your parts

**Kits** One year service kit, Hatz

NO EXPLODED VIEW  
AVAILABLE  
FOR THIS BOM

Go to Discount-Equipment.com to order your parts

Item	Part No.	Name	Qty	L
1	3382100607	500 Hours Service Kit / 12 Months Service Kit	1	
2	3382100569	Every 250 hours / six month kit	2	
3	4700939618	Fuel filter	1	
4	4700937013	Air filter	1	
5	4700936989	Starting rope	1	
6	4700281336	V-belt	1	
7	4700937003	Gasket	1	
8	9234001203	Cobra & compactor Impact-OIL 1L	2	

Go to Discount-Equipment.com to order your parts

**Kits** Shock absorber repair kit

NO EXPLODED VIEW  
AVAILABLE  
FOR THIS BOM

Go to Discount-Equipment.com to order your parts

Item	Part No.	Name	Qty	L
1	3382100029	Shock absorber repair kit	1	
2	4700390236	Shock absorber	4	A
3	5541772100	Flange screw	4	A
4	3382014368	Washer, 10.5 x 22 x 4 mm, 0.41 x 0.87 x 0.16 in. 300 HV	4	A
5	0301235800	Plain washer(A) 13 x 24 x 2.5	4	A
6	0266211200	Nut	4	A
7	4700792377	Shock absorber	4	B
8	0300027438	Washer	7	B
9	0147136003	Screw	4	B
10	4700792378	Shock absorber	2	B
11	0301233500	Plain washer(A) 8.4 x 16 x 1.6	2	B
12	0266211000	Nut	2	B
13	4700385387	Shock absorber	1	B
14	0266211100	Nut DIN934	1	B
15	0215001029	Screw	1	

Comments for Page: Shock absorber repair kit

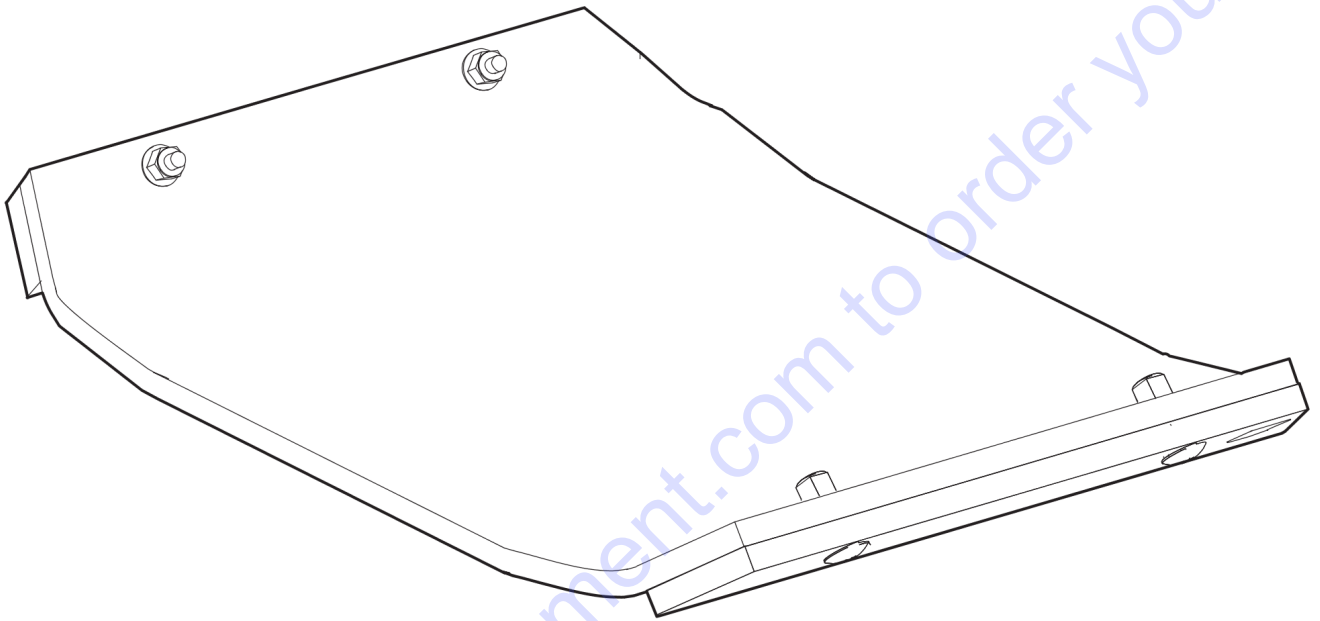
(L)OCAL REMARKS

A | See section "Ground plate and eccentric element installation".

B | See section "Handle".



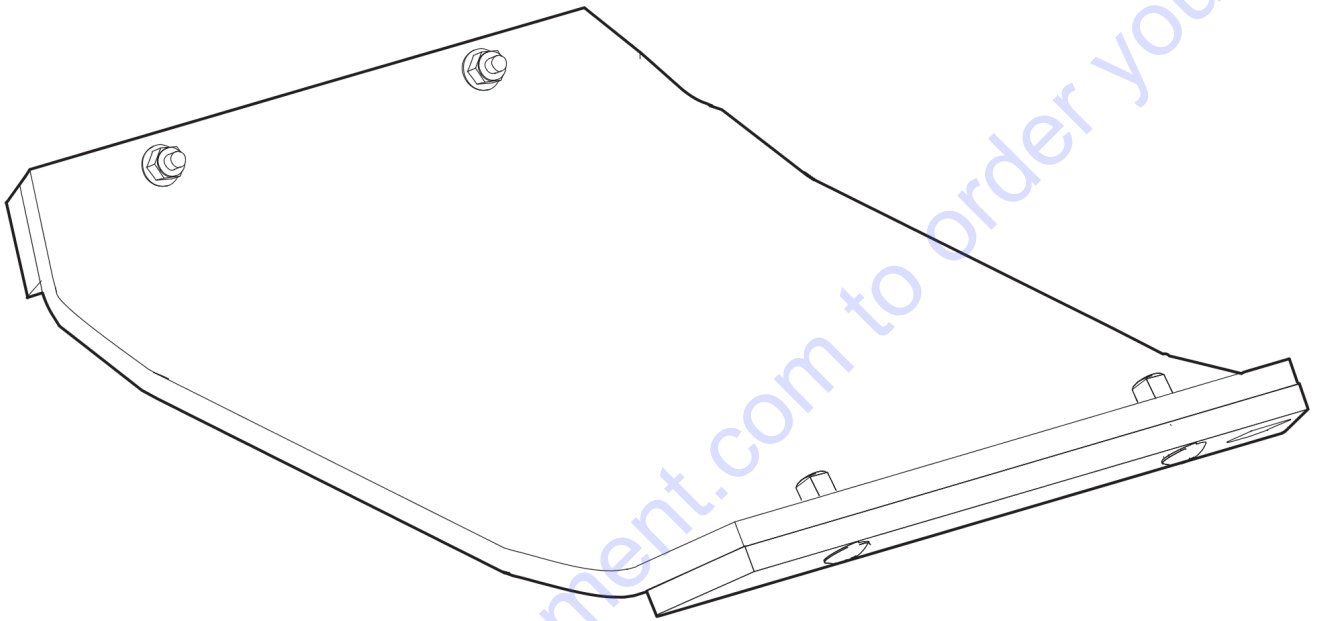
**Kits** Block paving plate kit 350 mm (13.7 in.)



Item	Part No.	Name	Qty	L
1	3382014350	Block paving plate kit	1	
-	--	Polyurethane plate, 350 mm, 13.7 in.	1	
-	--	Bracket	2	
-	--	Nut, M10 x 1.5 mm A3K	4	
-	--	Screw, M10 x 45 mm 4.6 A3K	4	

Go to Discount-Equipment.com to order your parts

**Kits** Block paving plate kit 450 mm (17.7 in.)



Item	Part No.	Name	Qty	L
1	4700394463	Block paving plate kit	1	
-	--	Polyurethane plate, 450 mm, 17.7 in.	1	
-	--	Bracket	2	
-	--	Nut, M10 x 1.5 mm A3K	4	
-	--	Screw, M10 x 45 mm 4.6 A3K	4	

Go to Discount-Equipment.com to order your parts

**Kits** Eccentric element repair kit

NO EXPLODED VIEW  
AVAILABLE  
FOR THIS BOM

Go to [Discount-Equipment.com](http://Discount-Equipment.com) to order your parts

Item	Part No.	Name	Qty	L
1	3382100036	Eccentric element repair kit	1	
2	4700903363	Roller bearing	4	A
3	4700928794	Sealing ring	1	A
4	4700929287	Ball bearing	2	A
5	4700151007	Retaining ring	1	A
6	4700904228	Washer DIN125	16	A
7	4700500040	Screw, M6x20 mm 8.8 A2K	16	A
8	4700929906	Packing	1	A
9	4700747541	Copper washer, 16.7 x 24 x 1.5 mm, 0.66 x 0.94 x 0.06 in. TYPE A, M16	1	A

Comments for Page: Eccentric element repair kit

(L)OCAL REMARKS

A | See section "Eccentric element".

**Kits** Forward and reverse piston repair kit

NO EXPLODED VIEW  
AVAILABLE  
FOR THIS BOM

Go to [Discount-Equipment.com](http://Discount-Equipment.com) to order your parts

Item	Part No.	Name	Qty	L
1	3382100034	Forward and reverse piston repair kit	1	
2	4700281276	Sealing ring	1	A
3	4812070051	Piston rod	1	A
4	4700151039	Retaining ring	1	A
5	4812070359	Ball bearing	1	A
6	4700150002	Retaining ring	1	A
7	4812070362	Thrust ball bearing	1	A
8	4812070363	Spring washer	1	A
9	4812070050	Hydraulic cylinder	1	A
10	4812070095	Hydraulic Cylinder	1	A
11	4700904228	Washer DIN125	4	A
12	4700500040	Screw, M6x20 mm 8.8 A2K	4	A

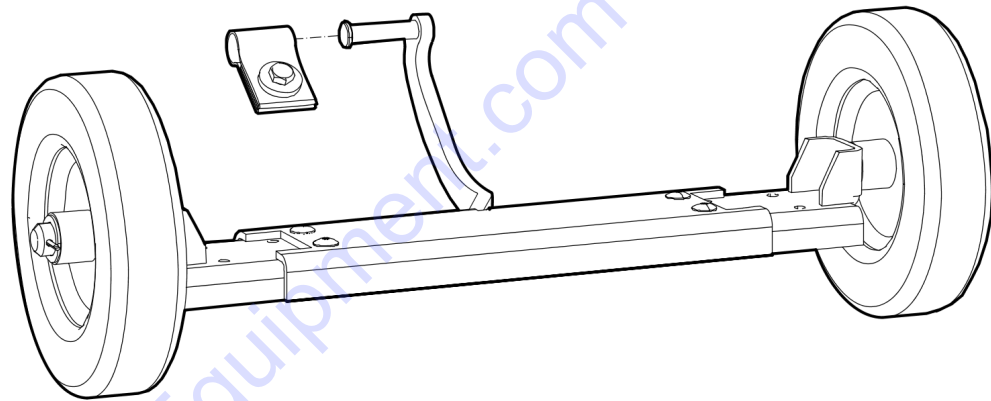
Comments for Page: Forward and reverse piston repair kit

(L)OCAL REMARKS

A | See section "Eccentric element".



**Kits** Transport device kit



Item	Part No.	Name	Qty	L
1	4700394969	Transport device kit	1	
-	--	Transport device	1	
-	--	Strap	1	
-	--	Washer, 13 x 36 x 6 mm, 0.51 x 1.42 x 0.24 in. 300 HV	1	
-	--	Screw, M12 x 25 mm 8.8 A3K	1	
-	--	Screw, M8 x 30 mm 8.8	4	
-	--	Wheel shaft	2	
-	--	Washer	4	
-	--	Wheel	2	
-	--	Split pin	2	
-	--	Washer, 8.4 x 22 x 3 mm, 0.33 x 0.87 x 0.12 in. 300 HV	4	
-	--	Nut, M8 A2K	4	

# PARTS FINDER

**Search Website  
by Part Number**



**Search Manual  
Library For Parts  
Manual & Lookup Part  
Numbers – Purchase  
or Request Quote**

**Search Manuals**

Enter your information to help us find the right parts manual for your machine.

\* Brand:

\* Model:

\* Serial:

\* Part Number:

SEARCH

**Can't Find Part or  
Manual? Request Help  
by Manufacturer,  
Model & Description**

**Parts Order Form**

Please fill in the following information to help us find the right part for your machine.

Manufacturer:	<input type="text"/>
Model:	<input type="text"/>
Description:	<input type="text"/>
Part Number:	<input type="text"/>
Quantity:	<input type="text"/>
Notes:	<input type="text"/>

Discount-Equipment.com is your online resource for quality parts & equipment.

Florida: **561-964-4949** Outside Florida TOLL FREE: **877-690-3101**

**Need parts?**

Click on this link: <http://www.discount-equipment.com/category/5443-parts/> and choose one of the options to help get the right parts and equipment you are looking for. Please have the machine model and serial number available in order to help us get you the correct parts. If you don't find the part on the website or on one of the online manuals, please fill out the request form and one of our experienced staff members will get back to you with a quote for the right part that your machine needs.

We sell worldwide for the brands: Genie, Terex, JLG, MultiQuip, Mikasa, Essick, Whiteman, Mayco, Toro Stone, Diamond Products, Generac Magnum, Airman, Haulotte, Barreto, Power Blanket, Nifty Lift, Atlas Copco, Chicago Pneumatic, Allmand, Miller Curber, Skyjack, Lull, Skytrak, Tsurumi, Husquvarna Target, Stow, Wacker, Sakai, Mi-T-M, Sullair, Basic, Dynapac, MBW, Weber, Bartell, Bennar Newman, Haulotte, Ditch Runner, Menegotti, Morrison, Contec, Buddy, Crown, Edco, Wyco, Bomag, Laymor, EZ Trench, Bil-Jax, F.S. Curtis, Gehl Pavers, Heli, Honda, ICS/PowerGrit, IHI, Partner, Imer, Clipper, MMD, Koshin, Rice, CH&E, General Equipment, Amida, Coleman, NAC, Gradall, Square Shooter, Kent, Stanley, Tamco, Toku, Hatz, Kohler, Robin, Wisconsin, Northrock, Oztec, Toker TK, Rol-Air, APT, Wylie, Ingersoll Rand / Doosan, Innovatech, Con X, Ammann, Mecalac, Makinex, Smith Surface Prep, Small Line, Wanco, Yanmar