



## SPARE PARTS LIST

### LIGHT COMPACTION

LG 164, 967855601, 967855602,  
967897601, 967897602, 967897604,  
967897605, 2019-08

Go to [Discount-Equipment.com](http://Discount-Equipment.com) to order your parts



# PARTS FINDER

**Search Website  
by Part Number**



**Search Manual  
Library For Parts  
Manual & Lookup Part  
Numbers – Purchase  
or Request Quote**

**Search Manuals**

Enter your information to help us find the right parts manual for your machine.

\* Brand:

\* Model:

\* Serial:

\* Part Number:

SEARCH

**Can't Find Part or  
Manual? Request Help  
by Manufacturer,  
Model & Description**

**Parts Order Form**

Please fill in the following information to help us find the right part for your machine.

Manufacturer:	<input type="text"/>
Model:	<input type="text"/>
Description:	<input type="text"/>
Part Number:	<input type="text"/>
Quantity:	<input type="text"/>
Notes:	<input type="text"/>

Discount-Equipment.com is your online resource for quality parts & equipment.

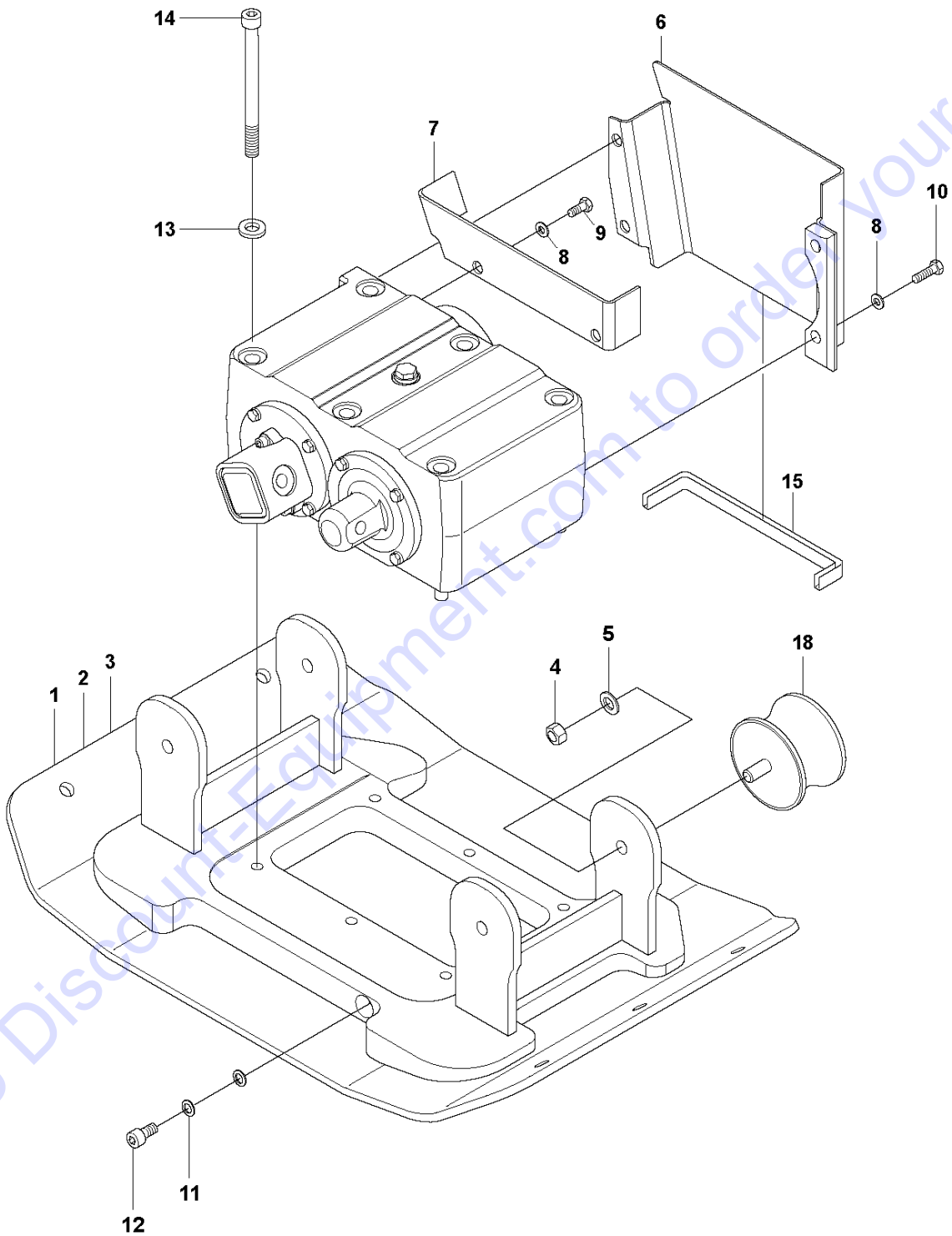
Florida: **561-964-4949** Outside Florida TOLL FREE: **877-690-3101**

**Need parts?**

Click on this link: <http://www.discount-equipment.com/category/5443-parts/> and choose one of the options to help get the right parts and equipment you are looking for. Please have the machine model and serial number available in order to help us get you the correct parts. If you don't find the part on the website or on one of the online manuals, please fill out the request form and one of our experienced staff members will get back to you with a quote for the right part that your machine needs.

We sell worldwide for the brands: Genie, Terex, JLG, MultiQuip, Mikasa, Essick, Whiteman, Mayco, Toro Stone, Diamond Products, Generac Magnum, Airman, Haulotte, Barreto, Power Blanket, Nifty Lift, Atlas Copco, Chicago Pneumatic, Allmand, Miller Curber, Skyjack, Lull, Skytrak, Tsurumi, Husquvarna Target, Stow, Wacker, Sakai, Mi-T-M, Sullair, Basic, Dynapac, MBW, Weber, Bartell, Bennar Newman, Haulotte, Ditch Runner, Menegotti, Morrison, Contec, Buddy, Crown, Edco, Wyco, Bomag, Laymor, EZ Trench, Bil-Jax, F.S. Curtis, Gehl Pavers, Heli, Honda, ICS/PowerGrit, IHI, Partner, Imer, Clipper, MMD, Koshin, Rice, CH&E, General Equipment, Amida, Coleman, NAC, Gradall, Square Shooter, Kent, Stanley, Tamco, Toku, Hatz, Kohler, Robin, Wisconsin, Northrock, Oztec, Toker TK, Rol-Air, APT, Wylie, Ingersoll Rand / Doosan, Innovatech, Con X, Ammann, Mecalac, Makinex, Smith Surface Prep, Small Line, Wanco, Yanmar

**A** LG 164  
GROUND PLATE & ECCENTRIC ELEMENT INSTALLATION



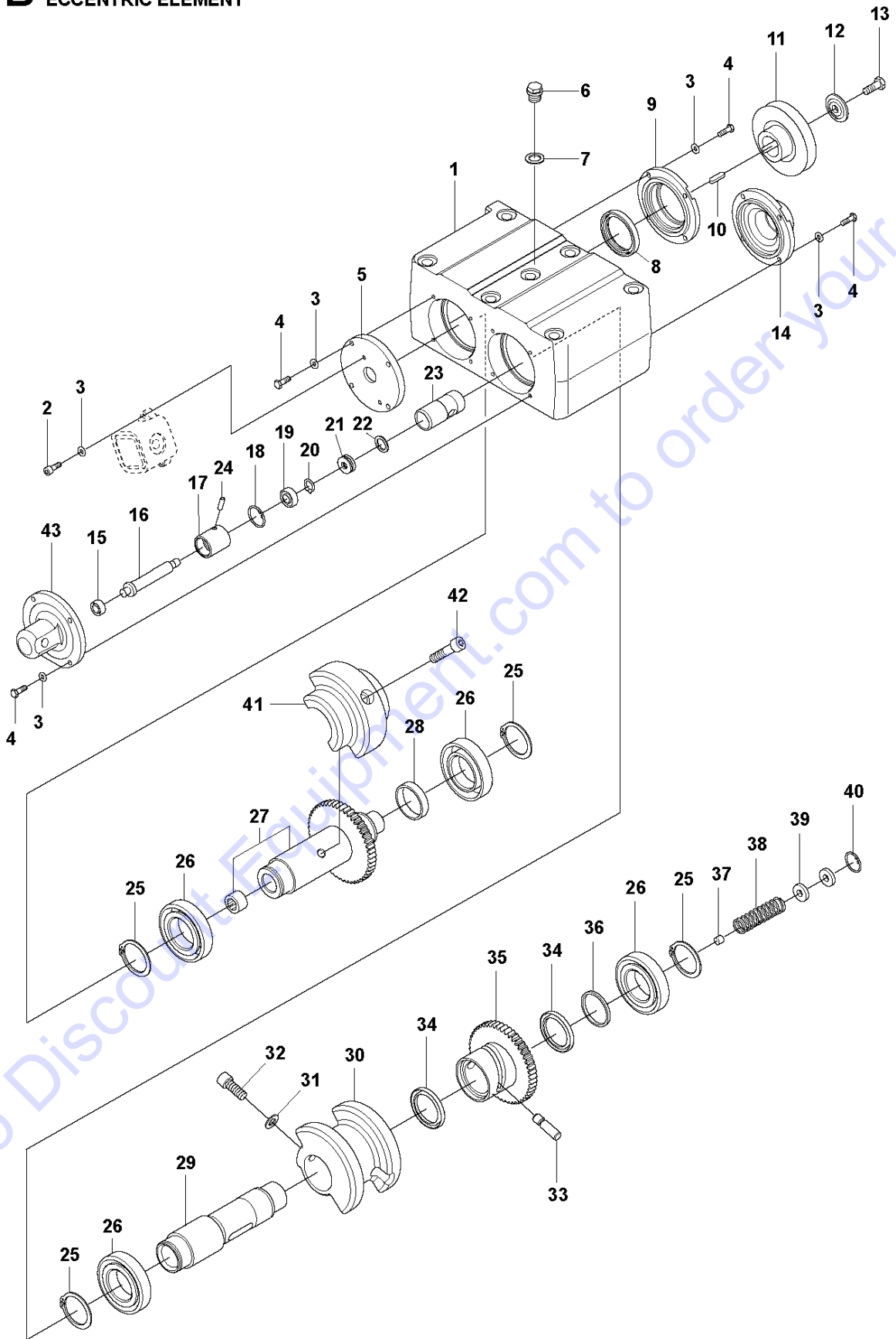
GROUND PLATE & ECCENTRIC ELEMENT INSTALLATION  
 967897601, 967897602, 967897604, 967897605, 2019-08

LG 164, 967855601, 967855602,

Ref	Part No	Description	Remark	QTY KIT
1	595 36 88-01	PLATE	350 mm	1
2	594 48 09-01	PLATE	450 mm	1
3	595 46 49-01	PLATE	600 mm	1
4	595 35 18-01	NUT	m12	4
5	595 11 34-01	WASHER	DIN125	4
6	594 43 77-01	PROTECTION		1
7	594 47 81-01	PROTECTION		1
8	595 03 66-01	WASHER	DIN125	6
9	594 11 79-01	SCREW	m8 x 20	4
10	595 34 43-01	SCREW		2
11	594 51 21-01	WASHER		2
12	594 12 06-01	SCREW	M10x20H	1
13	595 11 30-01	WASHER	13x24x4 mm	6
14	594 84 41-01	SCREW		6
15	595 04 82-02	STRIP	STRIP 1 PCE = 0.275 M	1
18	594 47 75-01	ABSORBER		4

Go to Discount-Equipment.com to order your parts

**B** LG 164  
ECCENTRIC ELEMENT



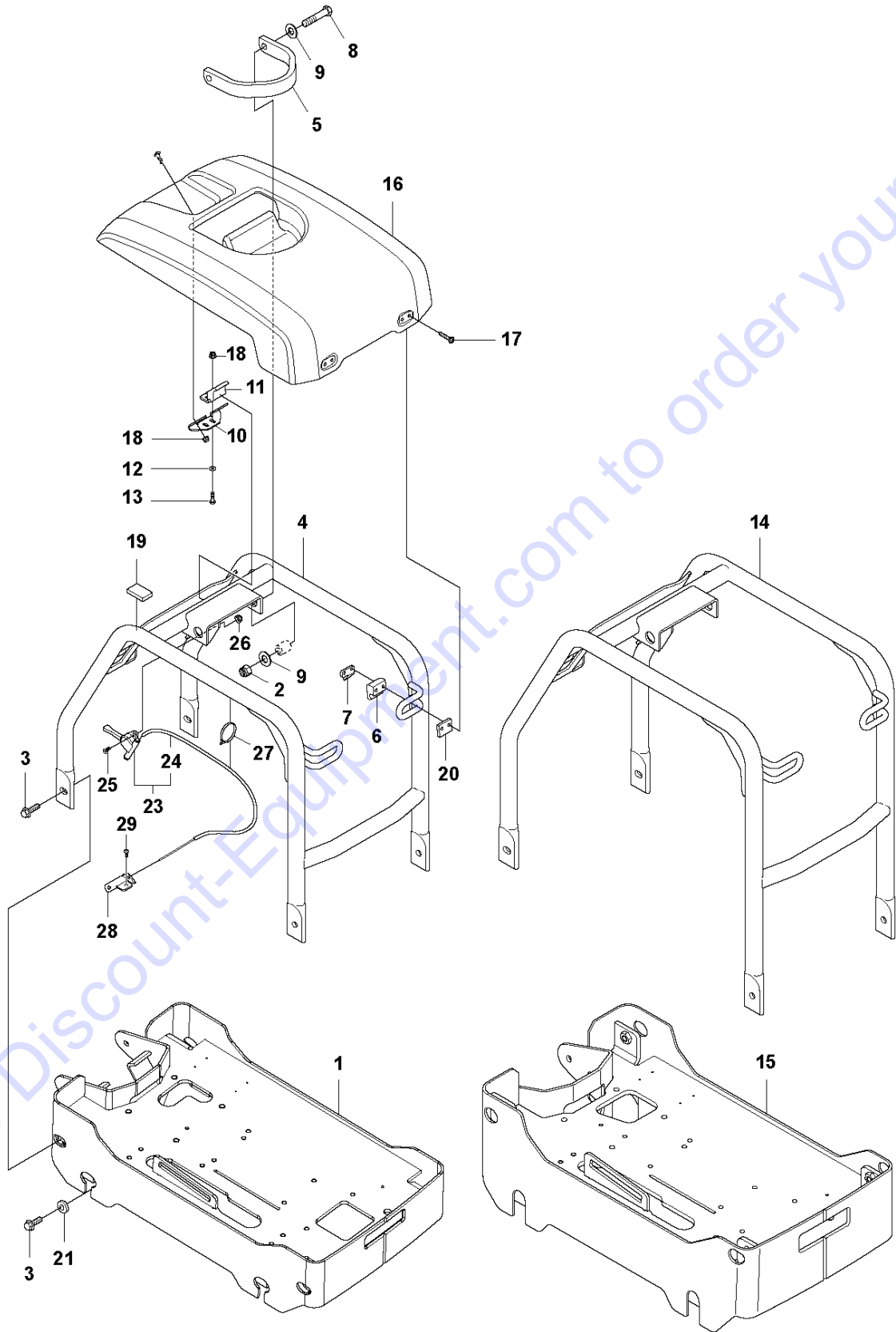
ECCENTRIC ELEMENT  
967897605, 2019-08

LG 164, 967855601, 967855602, 967897601, 967897602, 967897604,

Ref	Part No	Description	Remark	QTY KIT
1	595 17 62-01	EXCENTER		1
2	595 34 80-01	SCREW	M6 x 20 mm 8.8 A2K	2
3	595 03 65-01	WASHER	6,4 x 12 x 1,5	18
4	595 10 98-01	SCREW	M6x20 mm 8.8 A2K	16
5	594 43 59-01	COVER		1
6	595 04 83-01	PLUG	M16	1
7	595 04 78-01	GASKET	16.7 x 24 x 1.5 mm Type A M16	1
8	594 54 74-01	SEALING		1
9	594 43 58-01	COVER		1
10	595 05 08-01	KEY		1
11	594 47 82-01	PULLEY		1
12	594 32 63-01	WASHER		1
13	595 07 11-01	SCREW	M10 x 25 mm 8.8 A3K	1
14	594 64 37-01	COVER		1
15	594 33 22-01	SEALING		1
16	594 64 33-01	PISTON ROD		1
17	594 64 50-01	CAP		1
18	594 26 64-01	RING		1
19	594 64 75-01	BALL BEARING		1
20	595 35 33-01	CIRCLIP		1
21	594 64 76-01	BALL BEARING		1
22	594 64 77-01	SPRING WASHER		1
23	594 64 35-01	PISTON		1
24	595 03 11-01	PIN	6x20	1
25	595 11 41-01	CIRCLIP		4
26	594 53 11-01	ROLLER BEARING		4
27	594 43 74-01	SHAFT		1
28	594 32 59-01	SPACER RING		1
29	594 64 36-01	SHAFT		1
30	594 32 52-01	EXCENTER		1
31	595 06 68-01	WASHER	13 x 24 x 2 mm 300 HV	1
32	594 52 62-01	SCREW	M12 x 30mm 10.9GEOMET®	1
33	594 32 58-01	PIN		1
34	594 55 05-01	BALL BEARING		2
35	594 65 37-01	GEAR WHEEL		1
36	594 32 60-01	SPACER RING		1
37	594 54 65-01	STOP SCREW		1
38	594 32 69-01	SPRING		1
39	594 32 62-01	WASHER		2
40	595 04 60-01	RETAINER RING		1
41	594 80 37-01	EXCENTER		1
42	594 52 63-01	SCREW		1
43	594 64 32-01	CYLINDER		1

Go to Discount Equipment.com to order your parts

**C** LG 164  
FRAME & ENGINE PLATE - HONDA



FRAME & ENGINE PLATE - HONDA  
967897604, 967897605, 2019-08

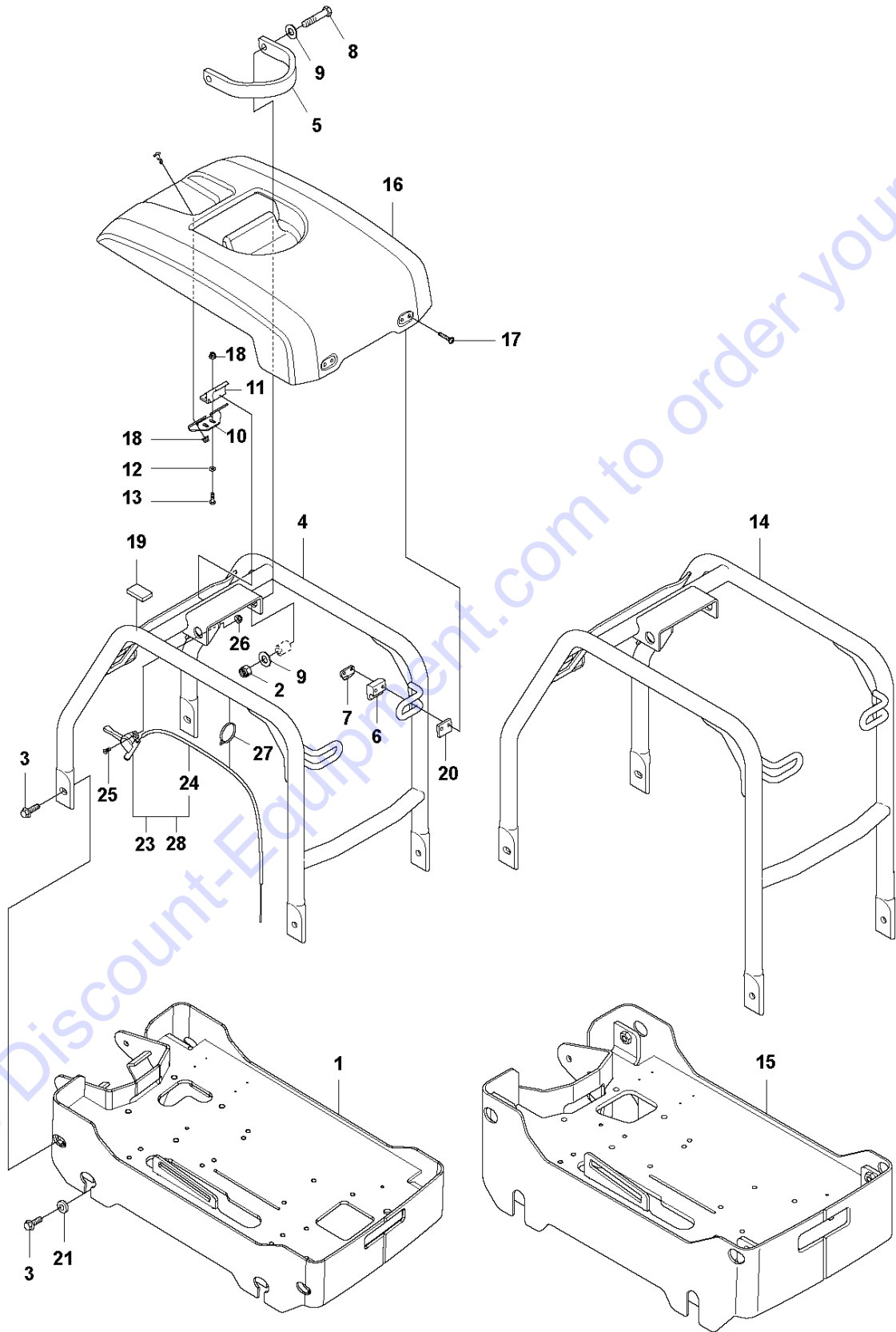
LG 164, 967855601, 967855602, 967897601, 967897602,  
967897604, 967897605, 2019-08

Ref	Part No	Description	Remark	QTY	KIT
1	595 36 86-01	ENGINE PLATE		1	
2	595 11 27-01	NUT		2	1
3	595 99 01-01	SCREW		8	1
4	594 18 64-01	PROTECTION		1	
5	594 15 09-01	HANDLE		1	
6	594 46 96-01	CLIP		2	
7	594 47 15-01	STOP		2	
8	594 11 92-01	SCREW		2	
9	595 11 54-01	WASHER		4	
10	595 36 90-01	BRACKET		1	
11	595 12 88-01	CLIP		1	
12	595 03 65-01	WASHER	6.4 x 12 x 1.6	2	
13	595 10 98-01	SCREW		2	
14	599 73 55-01	FRAME	from S/N 20200200786	1	
15	599 73 54-01	ENGINE PLATE	from S/N 20200200786	1	
16	594 96 02-01	HOOD		1	
17	594 12 11-01	SOCKET		4	
18	595 11 26-01	NUT		6	
19	595 52 39-01	PLATE		2	
20	594 18 52-01	PLATE		2	
21	595 36 89-01	WASHER	10.5 x 22 x 4 mm, 0.41 x 0.87 x 0.16 in. 300 HV	4	
23	594 47 87-01	THROTTLE CONTROL		1	
24	594 75 85-01	WIRE		1	23
25	595 11 15-01	SCREW		2	
26	595 35 22-01	LOCK NUT		2	
27	594 12 60-01	CABLE		2	
28	594 16 76-01	BRACKET		1	
29	595 06 58-01	SCREW	M5 x 12 mm 10.9 FZB	1	

Go to Discount-Equipment.com to Order your parts



**C** LG 164  
FRAME & ENGINE PLATE - HATZ



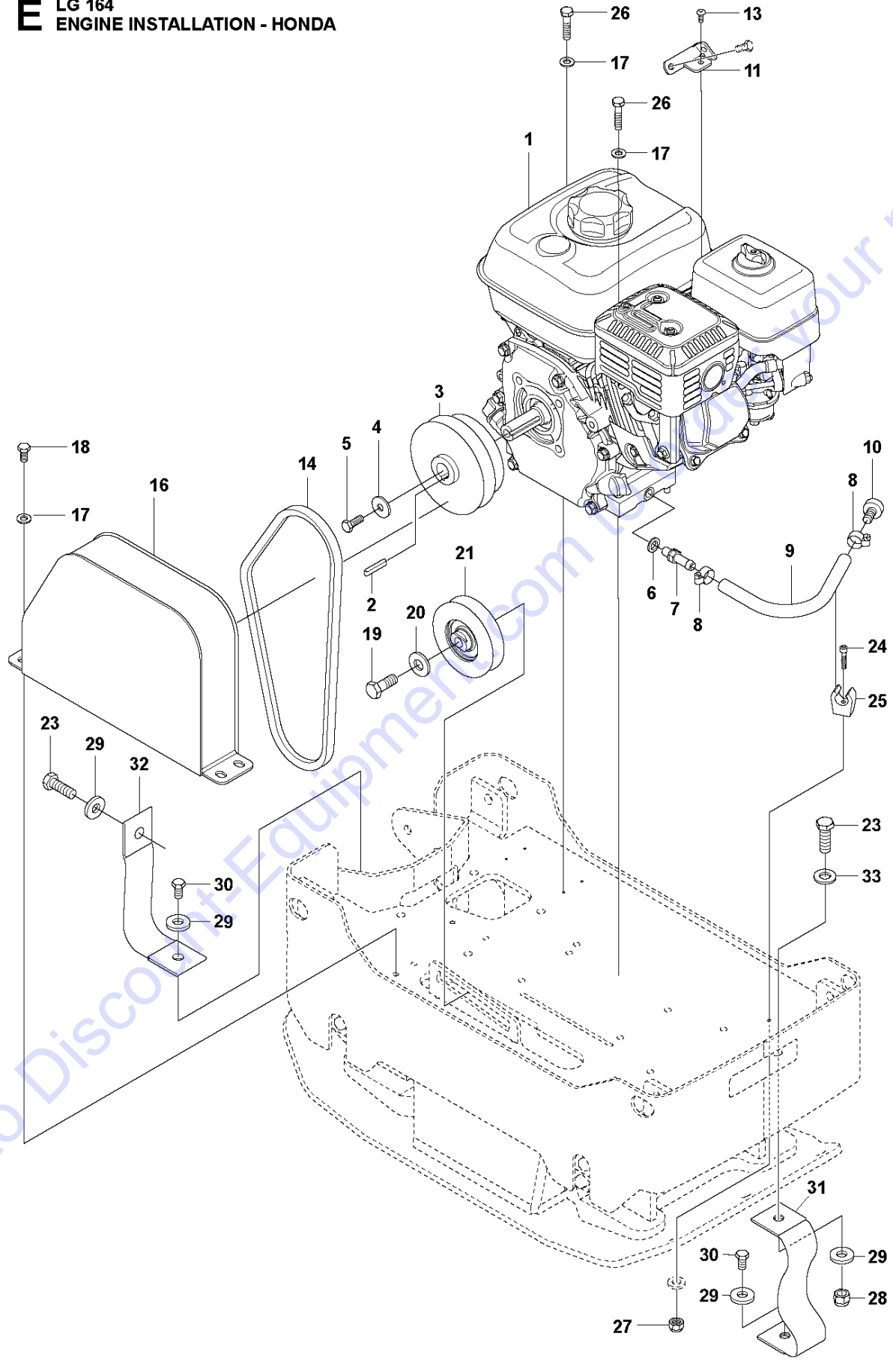
FRAME & ENGINE PLATE - HATZ  
967897604, 967897605, 2019-08

LG 164, 967855601, 967855602, 967897601, 967897602,

Ref	Part No	Description	Remark	QTY	KIT
1	595 36 86-01	ENGINE PLATE		1	
2	595 11 27-01	NUT		2	
3	595 99 01-01	SCREW		8	
4	594 18 64-01	PROTECTION		1	
5	594 15 09-01	HANDLE		1	
6	594 46 96-01	CLIP		2	
7	594 47 15-01	STOP		2	
8	594 11 92-01	SCREW		2	
9	595 11 54-01	WASHER		4	
10	595 36 90-01	BRACKET		1	
11	595 12 88-01	CLIP		1	
12	595 03 65-01	WASHER		2	
13	595 10 98-01	SCREW		2	
14	599 73 55-01	FRAME	from S/N 20200200786	1	
15	599 73 54-01	ENGINE PLATE	from S/N 20200200786	1	
16	594 96 02-01	HOOD		1	
17	594 12 11-01	SOCKET		4	
18	595 11 26-01	NUT		6	
19	595 52 39-01	PLATE		2	
20	594 18 52-01	PLATE		2	
21	595 36 89-01	WASHER	10.5 x 22 x 4 mm, 0.41 x 0.87 x 0.16 in. 300 HV	4	
23	594 17 65-01	THROTTLE CONTROL	EPA	1	
24	594 75 86-01	WIRE		1	23, 28
25	595 11 15-01	SCREW		2	
26	595 35 22-01	LOCK NUT		2	
27	594 12 60-01	CABLE		2	
28	594 48 17-01	THROTTLE CONTROL	Non EPA	1	

Go to Discount-Equipment.com to Order your parts

**E** LG 164  
ENGINE INSTALLATION - HONDA



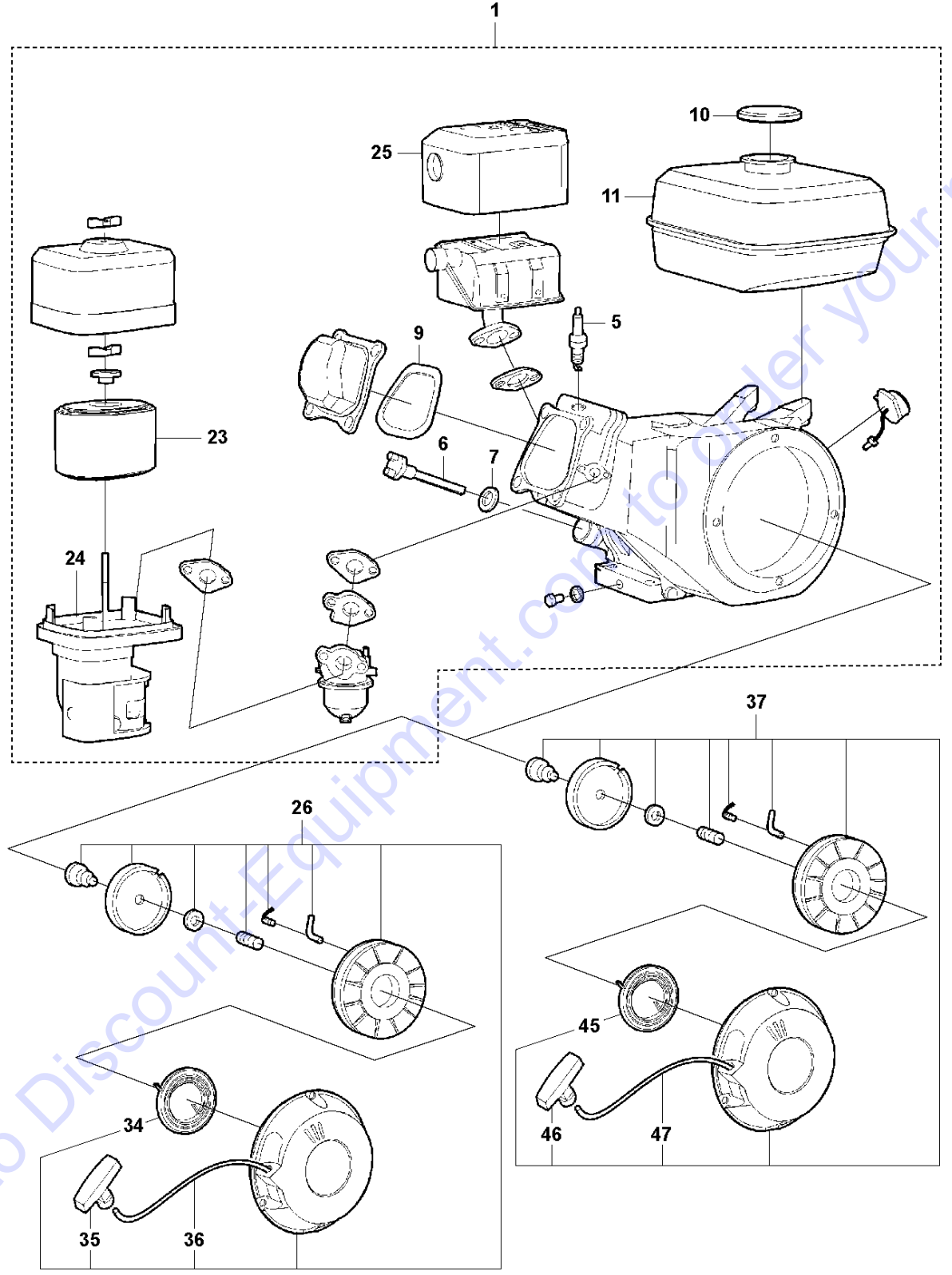
ENGINE INSTALLATION - HONDA  
967897604, 967897605, 2019-08

LG 164, 967855601, 967855602, 967897601, 967897602,

Ref	Part No	Description	Remark	QTY KIT
1	594 16 11-01	ENGINE	Honda GX160UT2 SXS4 SD	1
2	595 37 51-01	KEY		1
3	594 48 58-01	CENTRIFUGAL CLUTCH		1
4	595 11 29-01	WASHER	8.4 x 26 x 4 mm 300 HV	1
5	594 11 79-01	SCREW	M8 x 20 mm 8.8 A2K	1
6	595 29 03-01	WASHER	Washer, 10x14x 1 mm	1
7	594 64 82-01	HOSE CONNECTOR		1
8	595 45 46-01	CLAMP	11-18 x 9 mm, 0.43 -0.71 x 0.35 in.	2
9	594 14 78-01	HOSE		1
10	594 14 73-01	PLUG		1
11	594 16 76-01	BRACKET		1
13	595 06 58-01	SCREW		1
14	594 18 93-01	V-BELT		1
16	595 27 89-01	BELT GUARD		1
17	595 03 66-01	WASHER	8.4 X2 2 X 3 mm	8
18	595 11 01-01	SCREW	m8 x 16	4
19	594 11 90-01	BOLT		1
20	594 74 77-01	WASHER		1
21	594 32 79-01	BELT		1
23	595 11 03-01	SCREW		2
24	595 99 05-01	SCREW	M5 x 25 mm	1
25	594 33 10-01	CLIP		1
26	595 34 43-01	SCREW		4
27	595 35 24-01	NUT	M5 A2K	1
28	595 11 27-01	NUT		2
28	594 12 40-01	WASHER	"13 x 36 x 6 mm, 0.51x1.42x0.24"" 300HV"	4
30	595 34 52-01	BOLT		2
31	594 14 30-01	STRAP		1
29	594 12 40-01	WASHER		4
32	594 14 36-01	STRAP		1
33	595 11 34-01	WASHER		1

Go to Discount-Equipment.com to order your parts

**F** LG 164  
ENGINE - HONDA GX 160 UT2 SXS4 OH

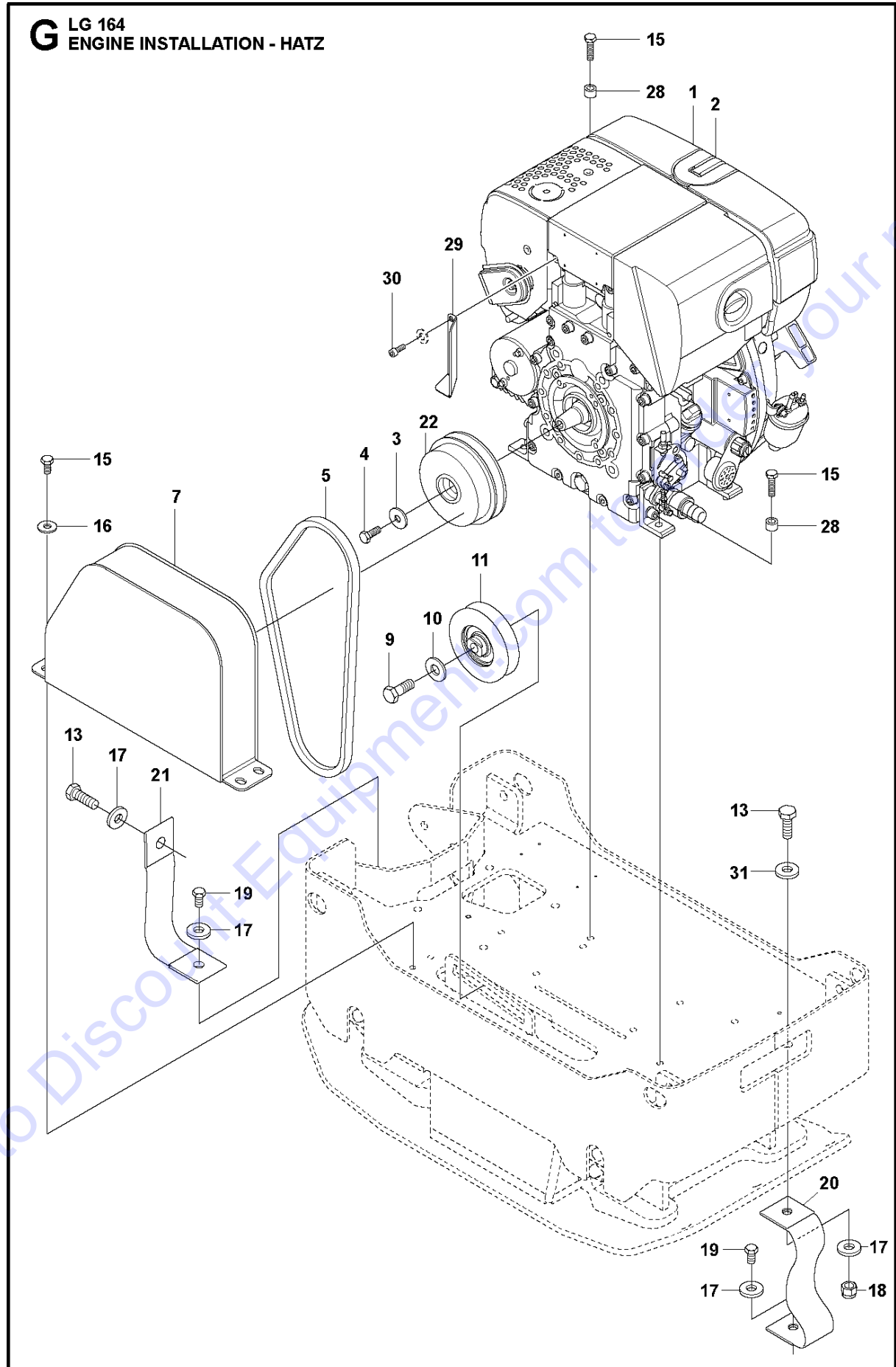


Go to DiscountEquipment.com to order your parts

ENGINE - HONDALG 164, 967855601, 967855602, 967897601, 967897602, 967897604, 967897605, 2019-08

Ref	Part No	Description	Remark	QTY	KIT
1	594 16 11-01	ENGINE	Engine, Honda GX160UT2 SXS4 SD	1	
5	594 20 40-01	SPARK PLUG		1	1
6	594 20 38-01	OIL		1	1
7	595 37 42-01	CAP		1	1
9	595 04 88-01	GASKET		1	1
10	594 20 46-01	FUEL CAP		1	1
11	594 20 45-01	FUEL TANK		1	1
23	594 30 21-01	AIR FILTER		1	1
24	594 58 24-01	ADAPTER		1	1
25	594 30 02-01	MUFFLER COVER		1	1
26	594 30 06-01	STARTER		1	
34	594 30 39-01	SPRING		1	26
35	594 30 48-01	HANDLE		1	26
36	595 04 91-01	ROPE		1	26
37	594 20 48-01	STARTER		1	
45	594 30 39-01	SPRING		1	37
46	594 30 48-01	HANDLE		1	37
47	595 04 91-01	ROPE		1	37

Go to Discount-Equipment.com to order your parts



ENGINE INSTALLATION - HATZ  
967897604, 967897605, 2019-08

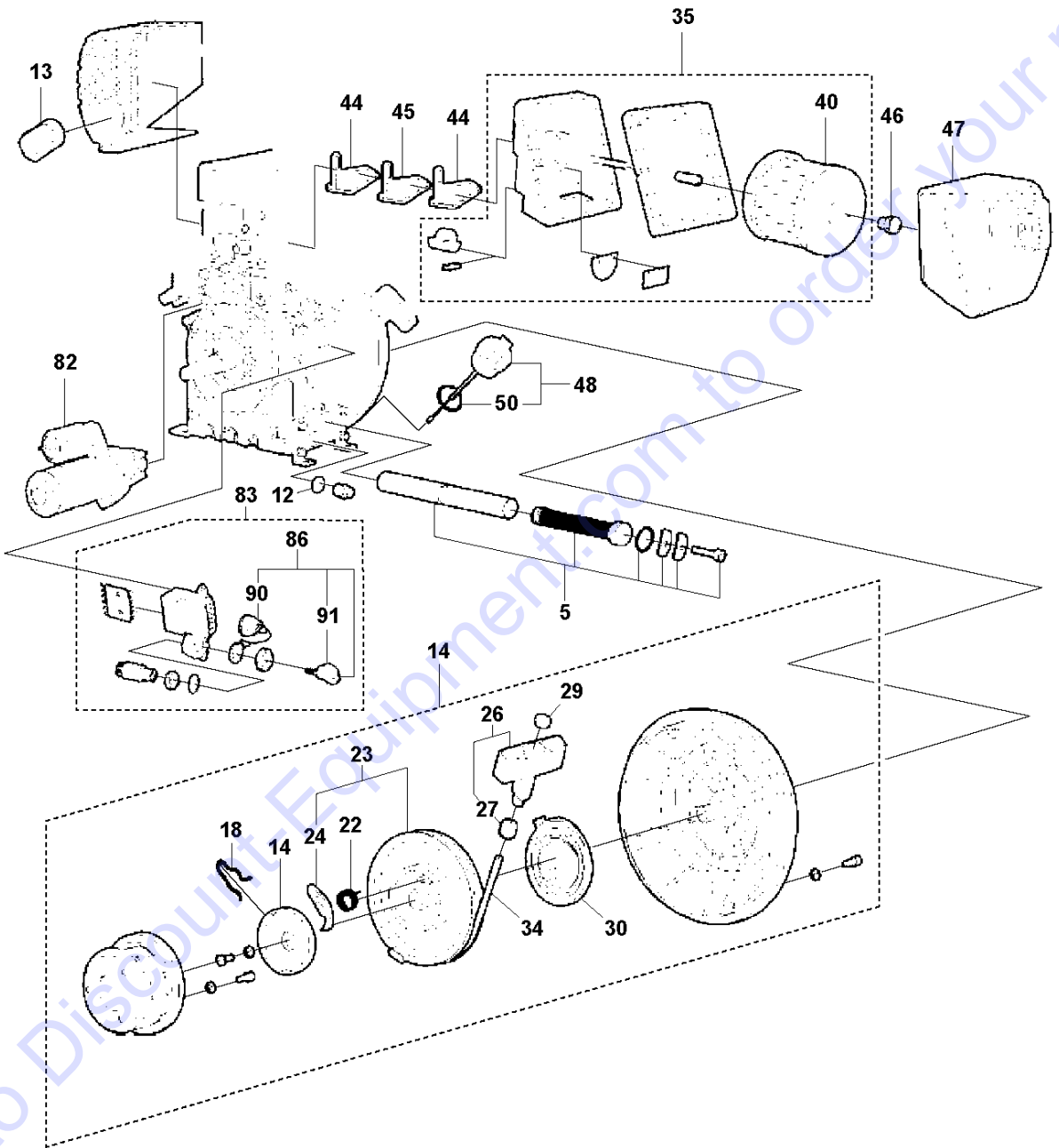
LG 164, 967855601, 967855602, 967897601, 967897602,

Ref	Part No	Description	Remark	QTY KIT
1	595 36 53-01	ENGINE	Engine, Hatz 1B20 manual start EPA	1
2	596 24 12-14	ENGINE	Engine,Hatz 1B20 Manual	1
3	595 11 29-01	WASHER	8.4 x 26 x 4 mm, 0.33 x 1.02 x 0.16 in. 300 HV	1
4	595 03 34-01	SCREW		1
5	594 33 27-01	BELT		1
7	595 27 90-01	BELT GUARD		1
9	594 11 90-01	BOLT		1
10	595 11 28-01	WASHER	10.5 x 22 x 4 mm, 0.41 x 0.87 x 0.16 in. 300 HV	1
11	594 32 79-01	BELT		1
13	595 11 03-01	SCREW		2
15	595 34 43-01	SCREW		4
16	595 03 66-01	WASHER	DIN125	4
17	594 12 40-01	WASHER	"13 x 36 x 6 mm, 0.51x1.42x0.24"" 300HV"	4
18	595 11 27-01	NUT		2
19	595 34 52-01	BOLT		2
20	594 14 30-01	STRAP		2
21	594 14 36-01	STRAP		1
22	594 43 10-01	CENTRIFUGAL CLUTCH		1
28	594 18 15-01	SPACER		4
29	594 82 78-01	DEFLECTOR		1
30	595 03 42-01	SCREW		1
31	595 11 34-01	WASHER		1

Go to Discount-Equipment.com to order your parts



**H** LG 164  
ENGINE - HATZ 1B20

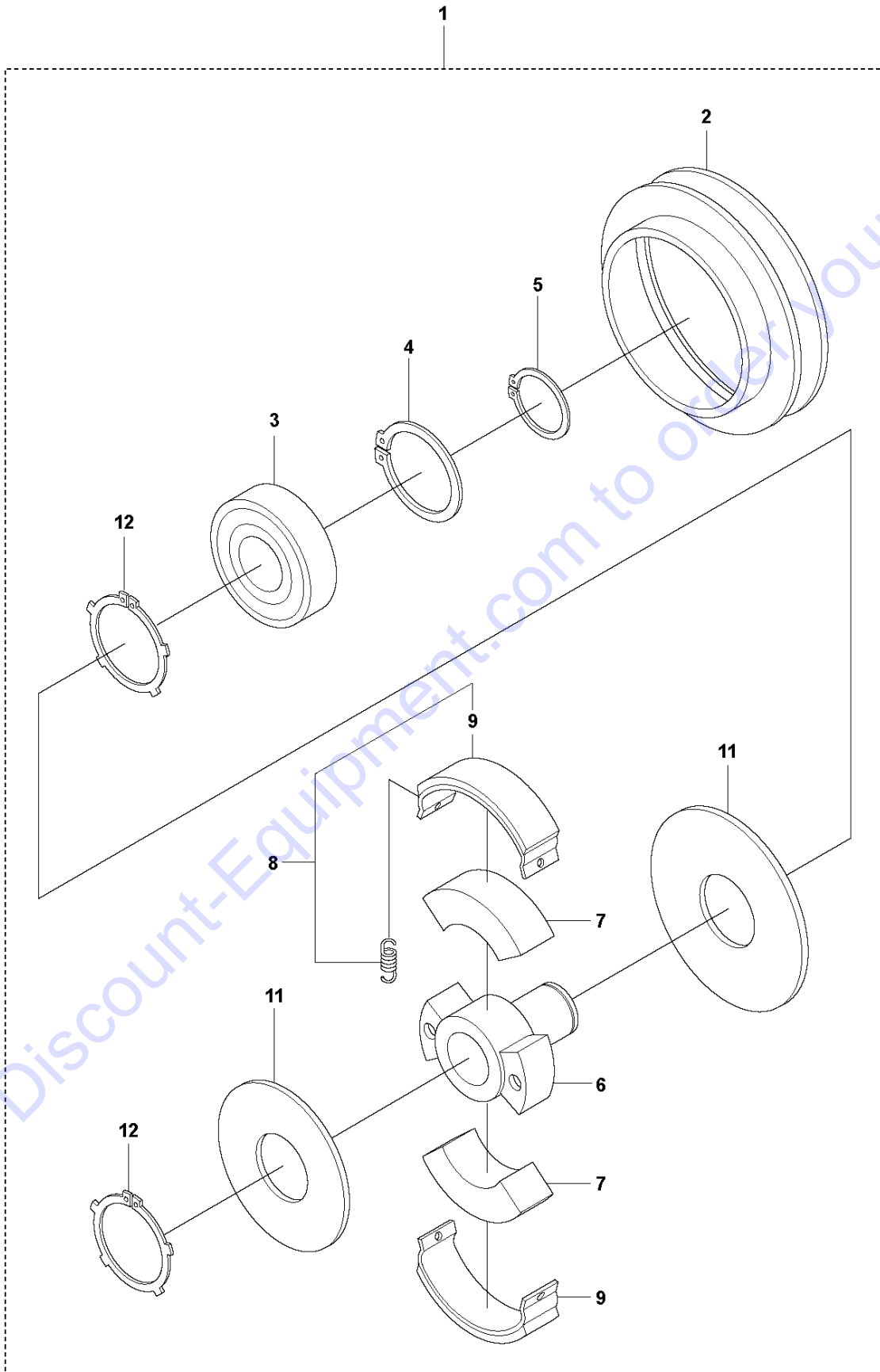


ENGINE - HATZ LG 164, 967855601, 967855602, 967897601, 967897602, 967897604, 967897605, 2019-08

Ref	Part No	Description	Remark	QTY	KIT
5	594 57 01-01	STRAINER		1	
12	594 51 30-01	GASKET		1	
13	594 57 04-01	EXHAUST PIPE		1	
14	594 56 84-01	STARTER		1	
18	594 56 92-01	SPRING		1	14
22	594 56 97-01	SPRING		1	14
23	594 56 91-01	REEL		1	14
24	594 56 96-01	RATCHET		1	14, 23
26	594 56 85-01	KNOB		1	14
27	594 20 24-01	SLEEVE		1	14, 26
29	594 20 25-01	STOP		1	14
30	594 56 86-01	SPIRAL SPRING		1	14
34	594 56 90-01	ROPE		1	14
35	594 20 27-01	HOUSING		1	
40	594 57 11-01	FILTER		1	
44	594 57 20-01	GASKET		2	
45	595 47 02-01	GASKET		1	
46	594 57 12-01	NUT		1	
47	594 19 10-01	PROTECTIVE COVER		1	
48	594 57 80-01	OIL		1	
50	594 60 55-01	O-RING		1	
82	594 58 52-01	STARTER		1	
83	594 59 48-01	BOX		1	83
86	594 58 15-01	IGNITION SWITCH		1	83
90	595 37 36-01	COVER		1	86
91	594 20 57-01	KEY		1	86

Go to Discount-Equipment.com to order your parts

**J** LG 164  
CENTRIFUGAL CLUTCH - HONDA



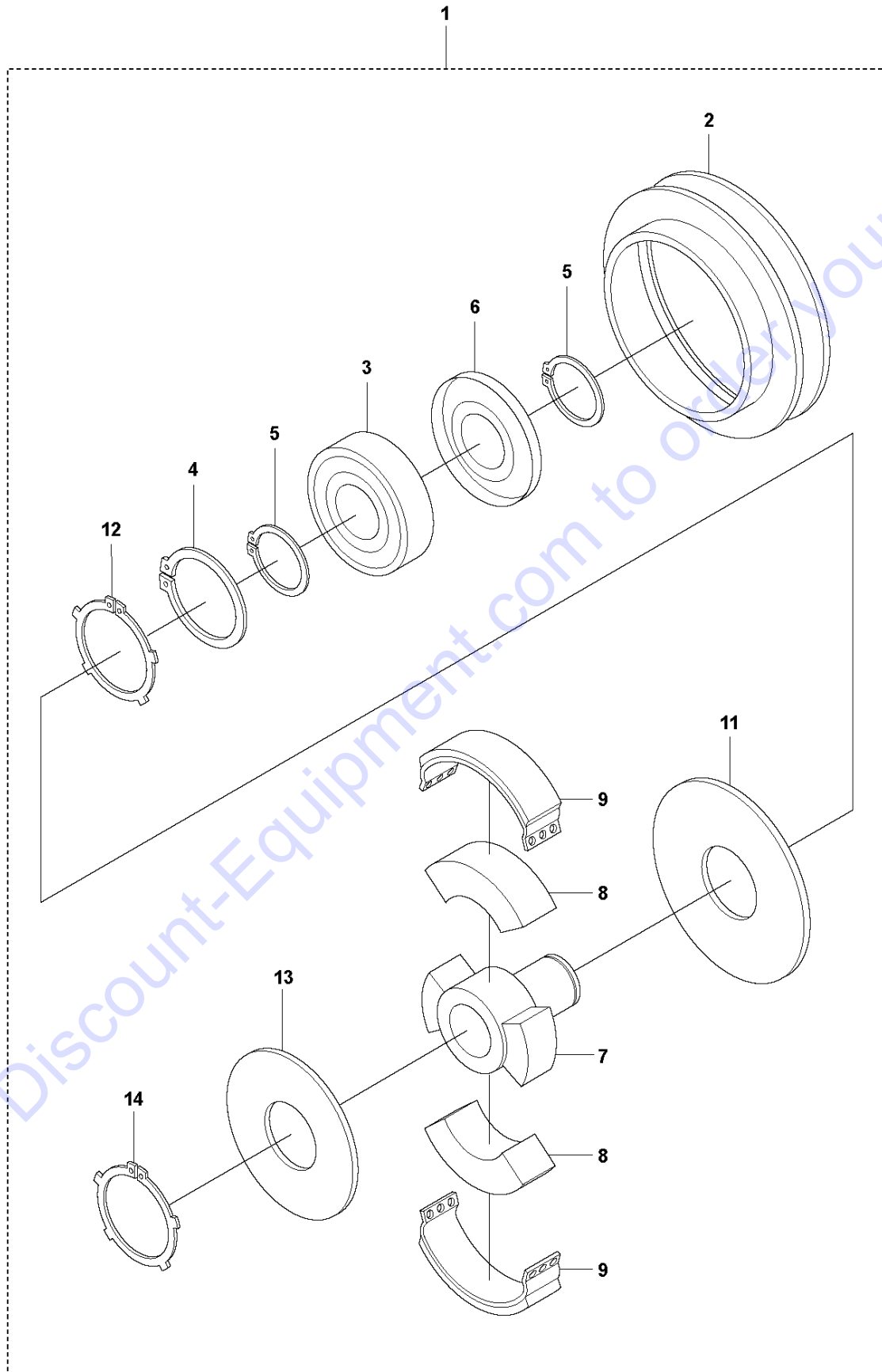
CENTRIFUGAL CLUTCH - HONDA  
967897604, 967897605, 2019-08

LG 164, 967855601, 967855602, 967897601, 967897602,

Ref	Part No	Description	Remark	QTY	KIT
1	594 48 58-01	CENTRIFUGAL CLUTCH		1	
2	594 60 99-01	V-BELT		1	1
3	594 25 91-01	BALL BEARING		1	1
4	595 04 61-01	SNAP RING		1	1
5	595 04 55-01	SNAP RING		1	1
6	594 58 40-01	HUB		1	1
7	594 30 14-01	CLUTCH		2	1
8	594 60 66-01	CLUTCH		1	1
9	594 60 53-01	CLUTCH		2	1, 8
11	594 31 23-01	COVER		2	1
12	594 31 19-01	RING		2	1

Go to [Discount-Equipment.com](http://Discount-Equipment.com) to order your parts

**K** LG 164  
CENTRIFUGAL CLUTCH - HATZ



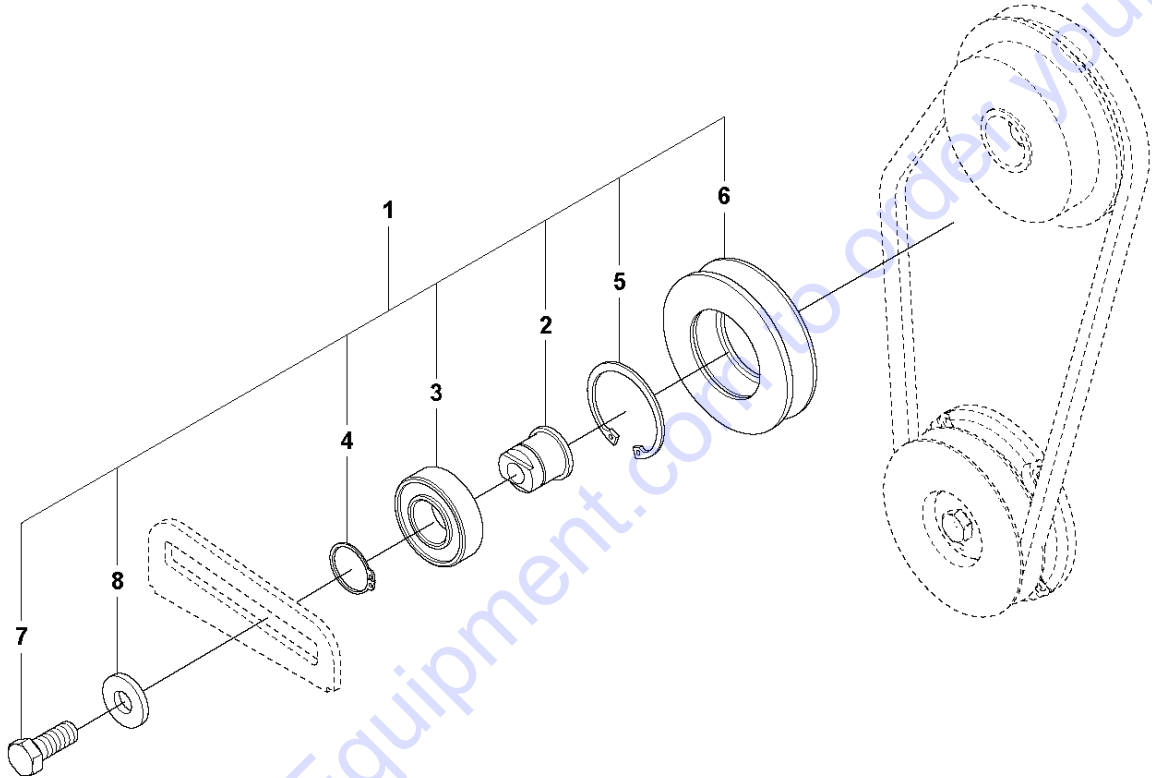
CENTRIFUGAL CLUTCH - HATZ  
967897604, 967897605, 2019-08

LG 164, 967855601, 967855602, 967897601, 967897602,

Ref	Part No	Description	Remark	QTY	KIT
1	594 43 10-01	CENTRIFUGAL CLUTCH		1	
2	594 57 22-01	NUT		1	1
3	594 58 43-01	BALL BEARING		1	1
4	594 58 44-01	RING		1	1
5	594 58 45-01	RING		2	1
6	594 26 37-01	RING		1	1
7	594 57 23-01	HUB		1	1
8	594 30 14-01	CLUTCH		2	1
9	594 60 53-01	CLUTCH		2	1
11	594 31 31-01	COVER		1	1
12	594 30 88-01	RING		1	1
13	594 31 23-01	COVER		1	1
14	594 31 19-01	RING		1	1

Go to [Discount-Equipment.com](http://Discount-Equipment.com) to order your parts

**L** LG 164  
BELT TIGHTENER



Go to Discount-Equipment.com to order your parts

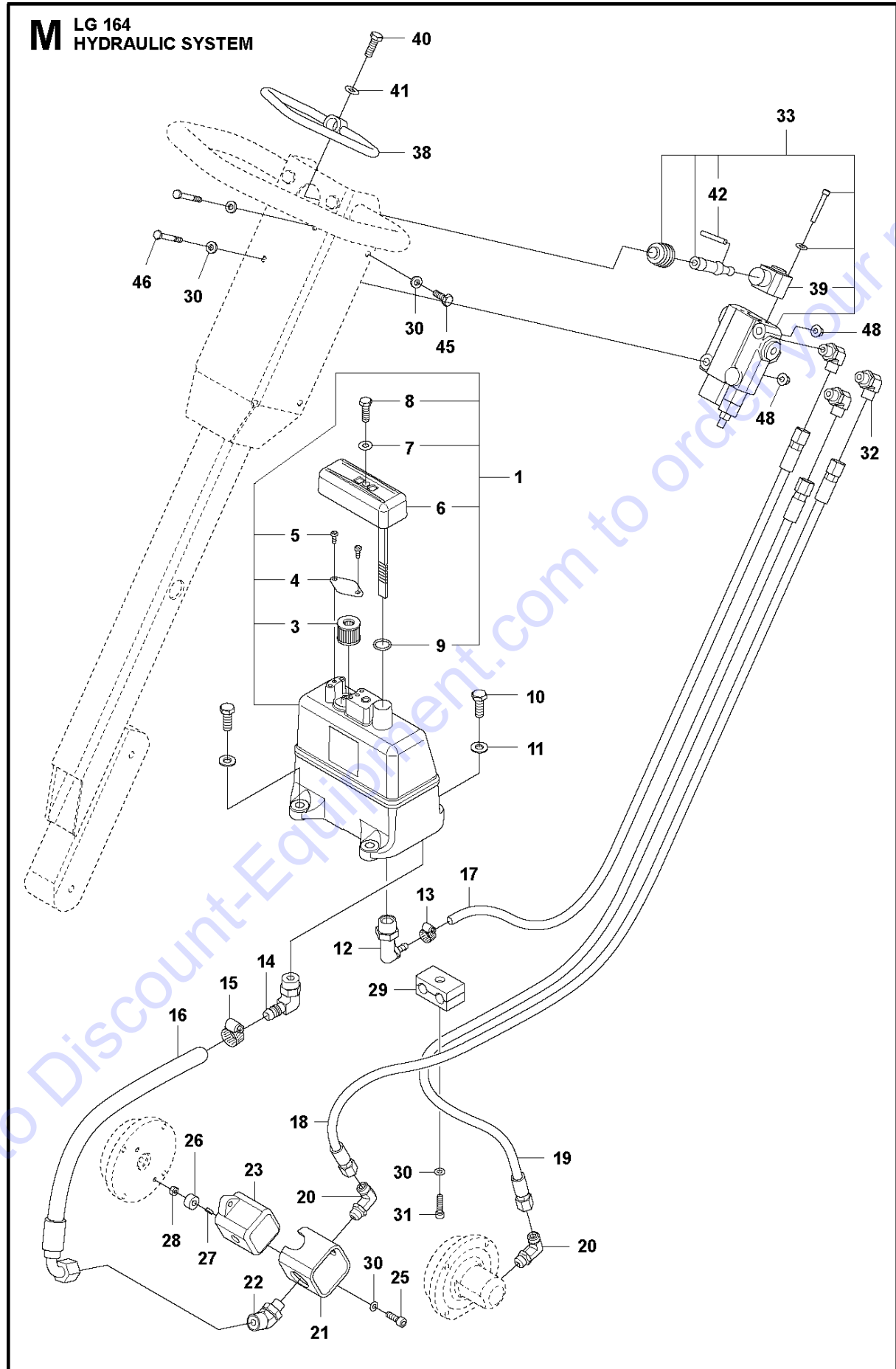
BELT TIGHTENER  
967897605, 2019-08

LG 164, 967855601, 967855602, 967897601, 967897602, 967897604,

Ref	Part No	Description	Remark	QTY	KIT
1	594 32 79-01	BELT		1	
2	594 32 81-01	SHAFT		1	1
3	595 04 50-01	BEARING		1	1
4	594 12 47-01	RETAINER RING		1	1
5	594 12 50-01	CIRCLIP		1	1
6	594 32 80-01	BELT		1	1
7	594 11 90-01	BOLT		1	1
8	595 11 28-01	WASHER		1	1

Go to [Discount-Equipment.com](http://Discount-Equipment.com) to order your parts





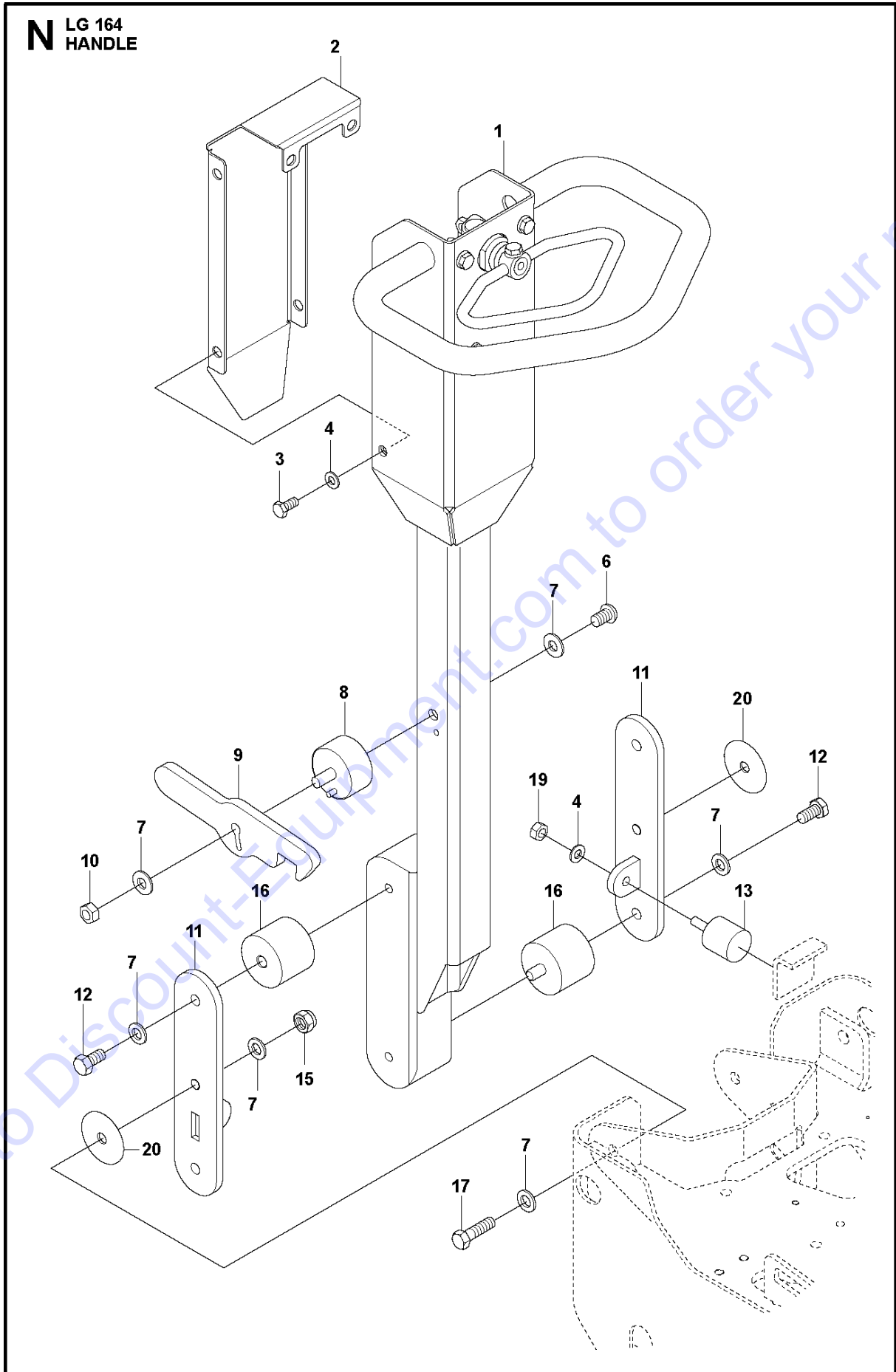
HYDRAULIC SYSTEM  
967897605, 2019-08

LG 164, 967855601, 967855602, 967897601, 967897602, 967897604,

Ref	Part No	Description	Remark	QTY KIT	
1	594 42 63-01	HYDRAULIC TANK		1	
3	594 44 55-01	AIR FILTER		1	1
4	594 44 54-01	FILTER HOLDER		1	1
5	594 83 88-01	SCREW	K50 x 12 mm Type KX-PT	2	1
6	594 44 31-01	COVER		1	1
7	595 03 66-01	WASHER	8.4x 6x1.5 mm 300HV	1	1
8	595 03 34-01	SCREW	M8x25 mm 8.8 A2K	1	1
9	595 04 73-01	O-RING		1	1
10	595 07 11-01	SCREW		4	
11	595 11 33-01	WASHER		4	
12	594 42 60-01	ADAPTER		1	
13	595 16 07-01	HOSE CLAMP		1	
14	595 06 93-01	ADAPTER		1	
15	595 45 47-01	CLAMP		1	
16	594 48 02-01	HYDRAULIC HOSE		1	
17	594 47 80-01	HYDRAULIC HOSE		1	
18	594 49 76-01	HYDRAULIC HOSE		1	
19	594 49 77-01	HYDRAULIC HOSE		1	
20	594 12 75-01	NIPPLE		2	
21	594 32 43-01	PROTECTIVE COVER		1	
22	594 52 37-01	ELBOW		1	
23	594 45 53-01	PUMP		1	
25	595 34 80-01	SCREW	M6x20 mm 8.8 A2K	2	
26	594 54 71-01	KEY		1	
27	594 54 89-01	GEAR		1	
28	595 28 75-01	HEXAGON NUT	M6 ISO 4032	1	
29	594 52 42-01	PIPE CLAMP		1	
30	595 03 65-01	WASHER		5	
31	595 34 81-01	SOCKET		1	
32	594 12 73-01	CONNECTOR		3	
33	594 34 76-01	VALVE	COMPLETE	1	
38	595 36 92-01	LEVER		1	
39	594 20 86-01	LEVER		1	33
40	595 03 34-01	SCREW	M8 x 25	2	
41	595 03 66-01	WASHER	DIN125	8	
42	594 20 87-01	PIN		1	33
45	595 11 01-01	SCREW		2	
46	595 11 00-01	BOLT		2	
48	595 03 60-01	LOCK NUT		2	

Go to Discount-Equipment.com to order your parts

**N** LG 164  
HANDLE

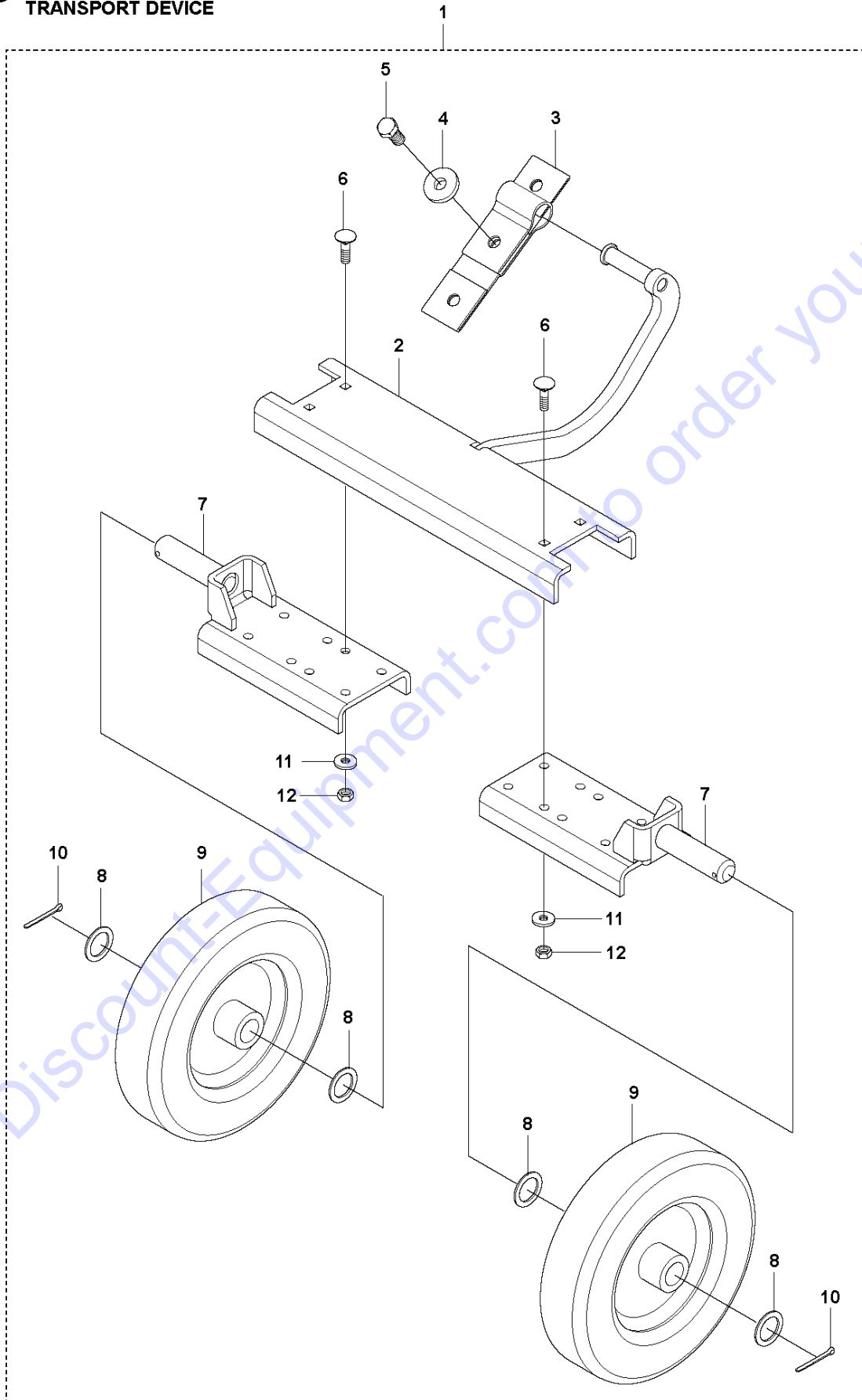


HANDLE LG 164, 967855601, 967855602, 967897601, 967897602, 967897604, 967897605, 2019-08

Ref	Part No	Description	Remark	QTY KIT
1	595 36 93-01	HANDLE		1
2	595 36 95-01	COVER		1
3	595 11 01-01	SCREW	m8 x 16	4
4	595 03 66-01	WASHER	DIN125	9
6	594 74 70-01	SCREW		1
7	594 74 74-01	WASHER		10
8	594 46 27-01	ABSORBER		1
9	594 45 15-01	HOOK		1
10	595 02 94-01	NUT		1
11	595 46 46-01	HOLDER		2
12	594 11 84-01	SCREW		4
13	594 52 45-01	ABSORBER		2
15	594 12 31-01	LOCK NUT		2
16	594 52 44-01	ABSORBER		4
17	594 11 86-01	SCREW		2
19	595 03 57-01	NUT	DIN934	1
20	594 52 46-01	WASHER		2

Go to [Discount-Equipment.com](http://Discount-Equipment.com) to order your parts

**P** LG 164  
TRANSPORT DEVICE



Go to Discount-Equipment.com to order your parts

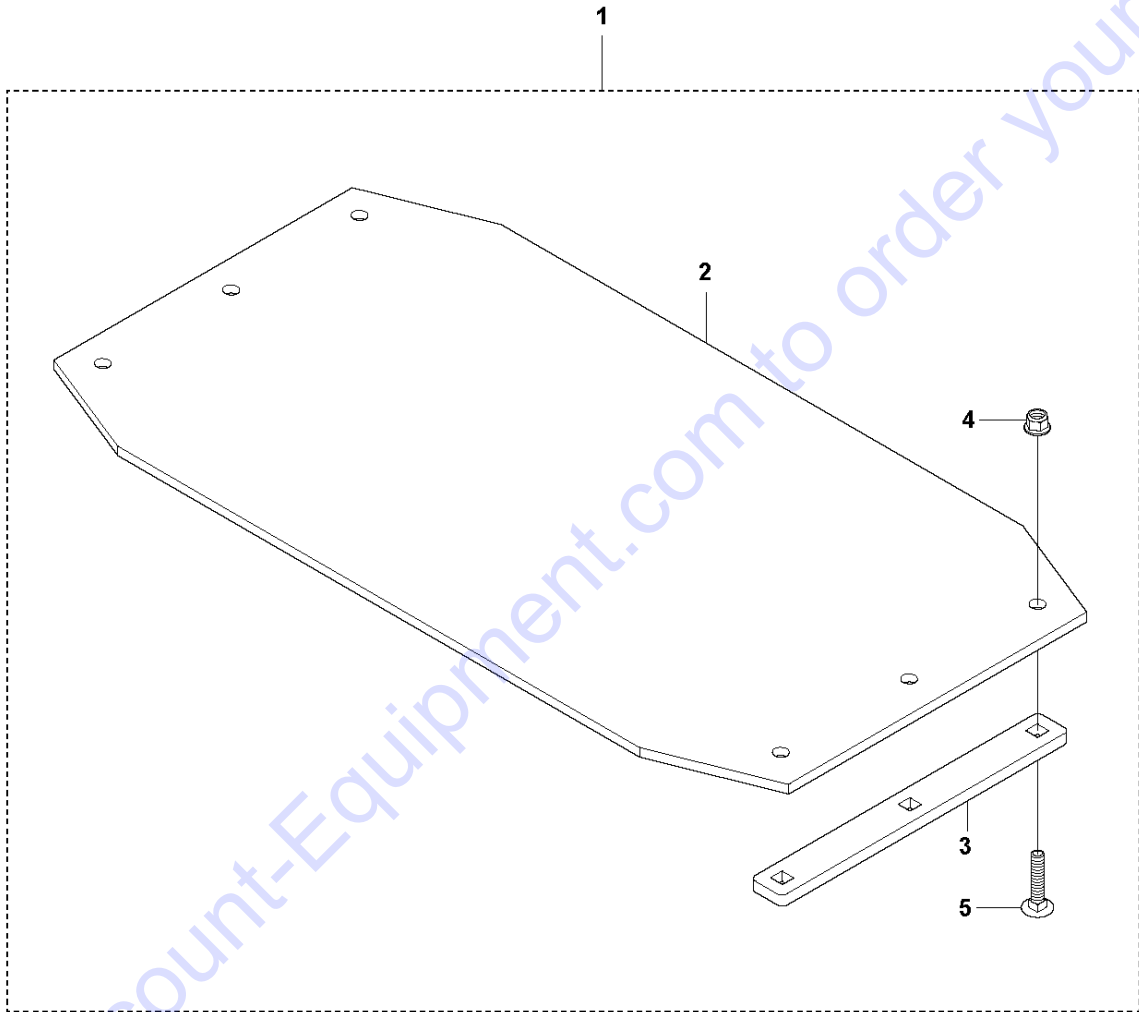
TRANSPORT DEVICE  
967897605, 2019-08

LG 164, 967855601, 967855602, 967897601, 967897602, 967897604,

Ref	Part No	Description	Remark	QTY KIT	
1	594 83 05-01	TRANSPORT		1	
2	594 48 64-01	UNIT		1	1
3	595 12 44-01	STRAP		1	1
4	594 12 40-01	WASHER		1	1
5	595 34 53-01	SCREW		1	1
6	595 11 19-01	SCREW		4	1
7	594 48 66-01	BRACKET		2	1
8	594 31 62-01	WASHER		4	1
9	594 45 58-01	WHEEL		2	1
10	595 34 35-01	PIN		2	1
11	594 12 34-01	WASHER	8.4 x 16 x 1.5 mm, 0.33 x 0.63 x 0.06 in. 300 HV	4	1
12	595 03 57-01	NUT		4	1

Go to [Discount-Equipment.com](http://Discount-Equipment.com) to order your parts

**Q** LG 164  
BLOCK PAVING PLATE KIT 350 MM (13.7")



Go to Discount-Equipment.com to order your parts

BLOCK PAVING PLATE KIT 350 MM  
967897604, 967897605, 2019-08

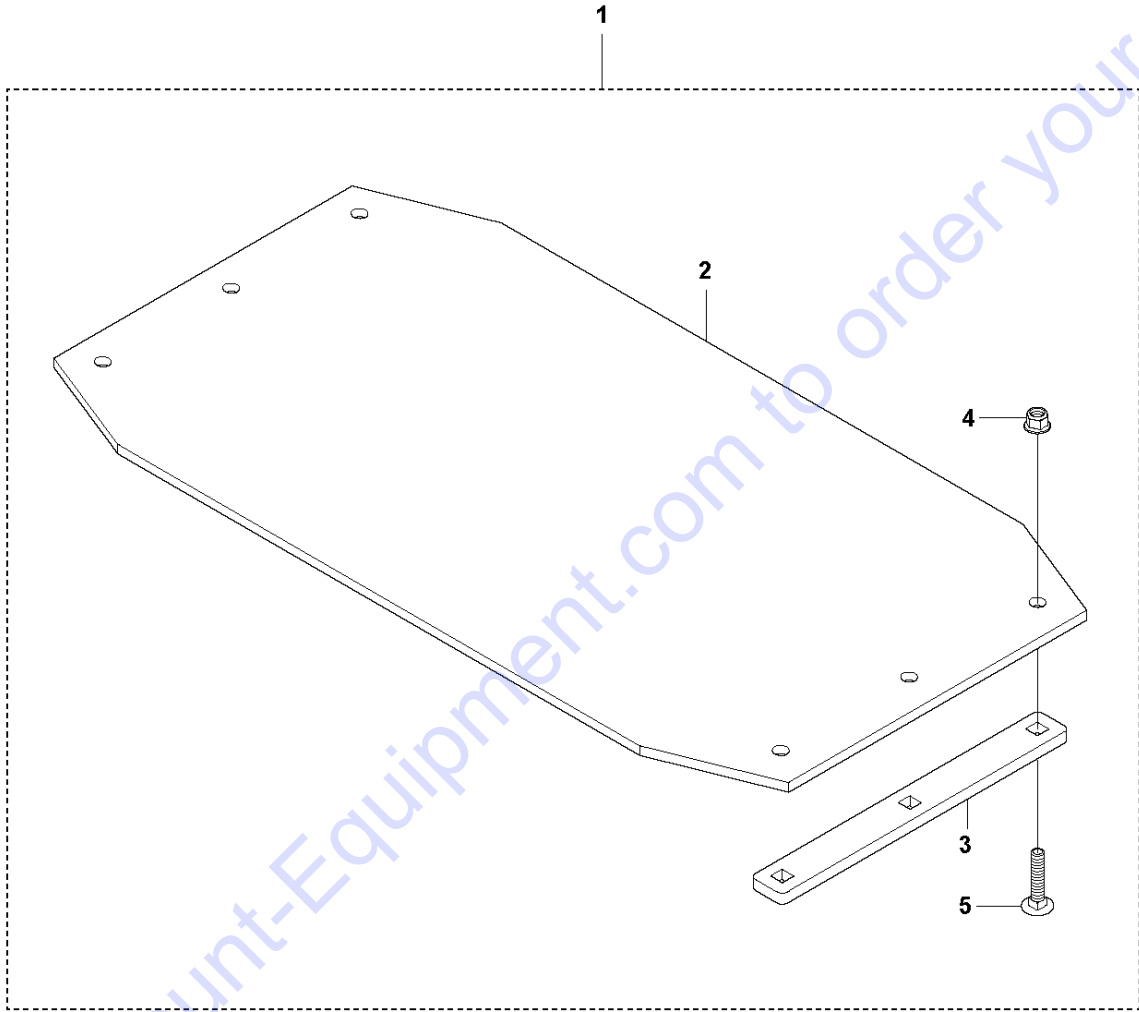
LG 164, 967855601, 967855602, 967897601, 967897602,

Ref	Part No	Description	Remark	QTY KIT	
1	595 36 85-01	BLOCK PAVING KIT		1	
2	594 75 78-01	GROUND PLATE	350 mm, 13.7 in.	1	1
3	594 83 04-01	BRACKET	Bracket	2	1
4	595 06 47-01	LOCK NUT	M10 x 1.5 mm A3K	4	1
5	595 06 72-01	SCREW	M10 x 45 mm 4.6 A3K din 603-8.8 ZnB	4	1

Go to [Discount-Equipment.com](https://Discount-Equipment.com) to order your parts



**R** LG 164  
BLOCK PAVING PLATE KIT 450 MM (17.7")



Go to Discount-Equipment.com to order your parts

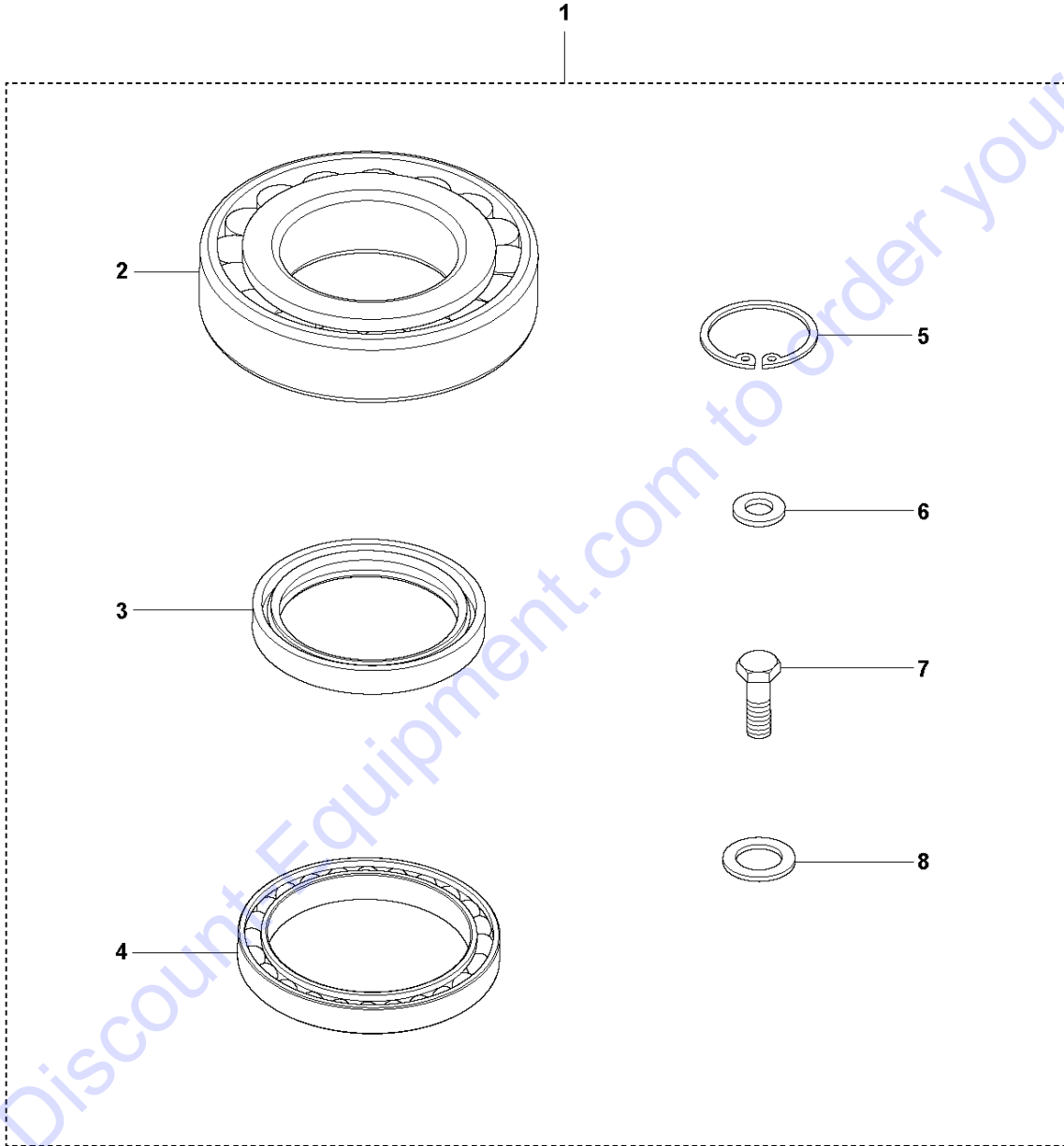
BLOCK PAVING PLATE KIT 450 MM  
967897604, 967897605, 2019-08

LG 164, 967855601, 967855602, 967897601, 967897602,  
967897604, 967897605, 2019-08

Ref	Part No	Description	Remark	QTY KIT	
1	594 83 01-01	BLOCK PAVING KIT		1	
2	594 32 90-01	PLATE	450 mm, 17.7 in.	1	1
3	594 44 73-01	BRACKET		2	1
4	595 06 47-01	LOCK NUT	M10 x 1.5 mm A3K	4	1
5	595 06 72-01	SCREW	M10 x 45 mm 4.6 A3K	4	1

Go to [Discount-Equipment.com](http://Discount-Equipment.com) to order your parts

**S** LG 164  
ECCENTRIC ELEMENT REPAIR KIT



Go to Discount Equipment.com to order your parts

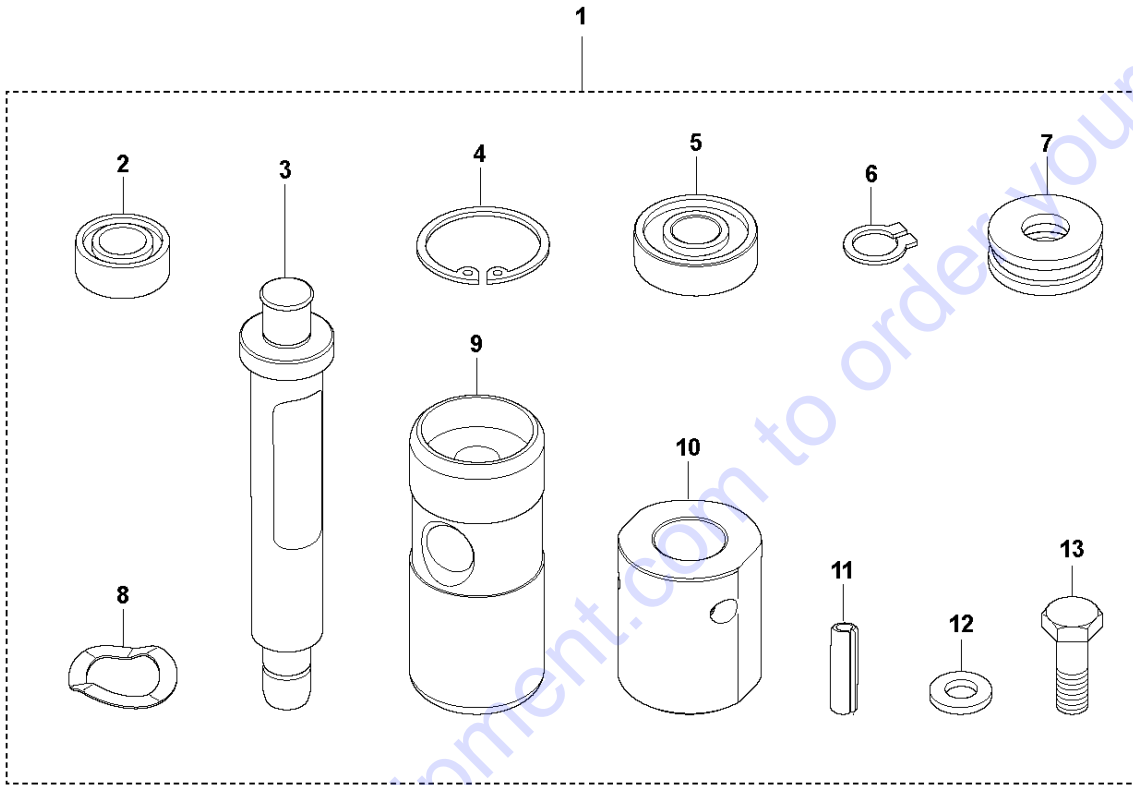
ECCENTRIC ELEMENT REPAIR KIT  
967897604, 967897605, 2019-08

LG 164, 967855601, 967855602, 967897601, 967897602,

Ref	Part No	Description	Remark	QTY	KIT
1	594 19 67-01	REPAIR KIT		1	
2	594 53 11-01	ROLLER BEARING		4	1
3	594 54 74-01	SEALING		1	1
4	594 55 05-01	BALL BEARING		2	1
5	595 04 60-01	RETAINER RING		1	1
6	595 03 65-01	WASHER	6.4x12x1.6	16	1
7	595 10 98-01	SCREW	M06x020H 8.8 A2K	16	1
8	594 51 21-01	WASHER		2	1

Go to [Discount-Equipment.com](http://Discount-Equipment.com) to order your parts

**T** LG 164  
FORWARD & REVERSE PISTON REPAIR KIT



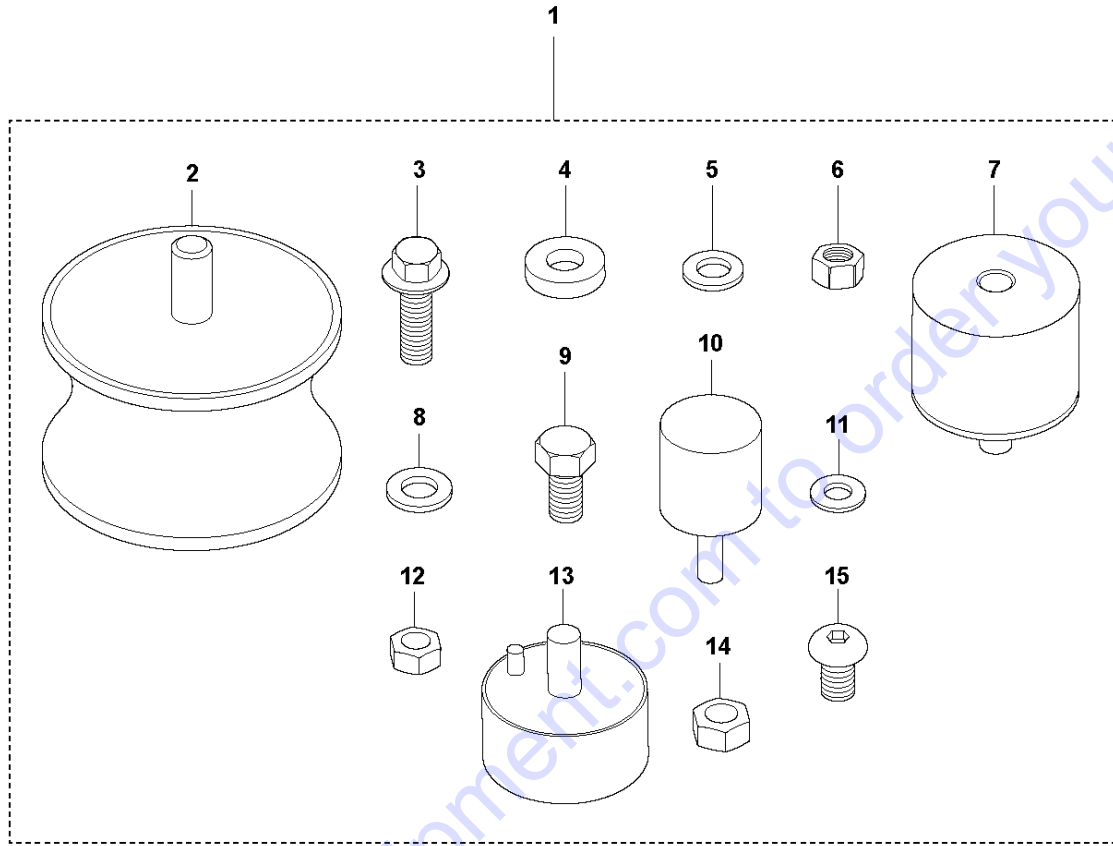
FORWARD & REVERSE PISTON REPAIR KIT  
 967897602, 967897604, 967897605, 2019-08

LG 164, 967855601, 967855602, 967897601,

Ref	Part No	Description	Remark	QTY	KIT
1	594 19 65-01	REPAIR KIT		1	
2	594 33 22-01	SEALING		1	1
3	594 64 33-01	PISTON ROD		1	1
4	594 26 64-01	RING		1	1
5	594 64 75-01	BALL BEARING		1	1
6	595 35 33-01	CIRCLIP		1	1
7	594 64 76-01	BALL BEARING		1	1
8	594 64 77-01	SPRING WASHER		1	1
9	594 64 35-01	PISTON		1	1
10	594 64 50-01	CAP		1	1
11	595 03 11-01	PIN	6x20	1	1
12	595 03 65-01	WASHER	6.4x12x1.6	4	1
13	595 10 98-01	SCREW		4	1

Go to Discount-Equipment.com to order your parts

**U** LG 164  
SHOCK ABSORBER REPAIR KIT



Go to Discount-Equipment.com to order your parts

SHOCK ABSORBER REPAIR KIT  
967897604, 967897605, 2019-08

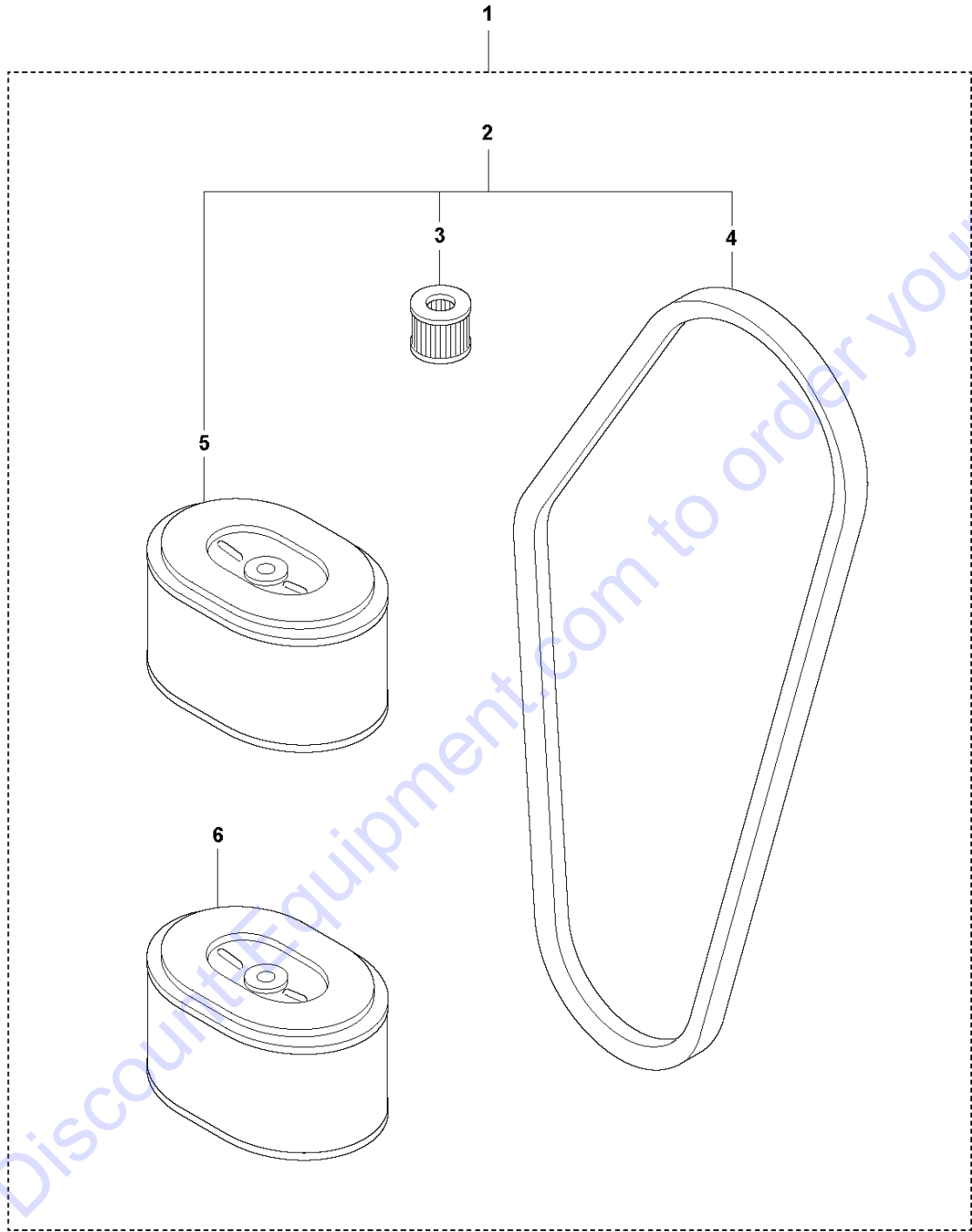
LG 164, 967855601, 967855602, 967897601, 967897602,

Ref	Part No	Description	Remark	QTY	KIT
1	594 19 60-01	REPAIR KIT		1	
2	594 47 75-01	ABSORBER		4	1
3	595 99 01-01	SCREW		4	1
4	595 36 89-01	WASHER	10.5 x 22 x 4 mm, 0.41 x 0.87 x 0.16 in. 300 HV	4	1
5	595 11 34-01	WASHER	DIN125	4	1
6	595 35 18-01	NUT		4	1
7	594 52 44-01	ABSORBER		4	1
8	594 74 74-01	WASHER		7	1
9	594 11 84-01	SCREW		4	1
10	594 52 45-01	ABSORBER		2	1
11	595 03 66-01	WASHER	DIN125	2	1
12	595 03 57-01	NUT	DIN934	2	1
13	594 46 27-01	ABSORBER		1	1
14	595 02 94-01	NUT		1	1
15	594 74 70-01	SCREW		1	1

Go to Discount-Equipment.com to order your parts



**V LG164**  
**START UP KIT - HONDA**

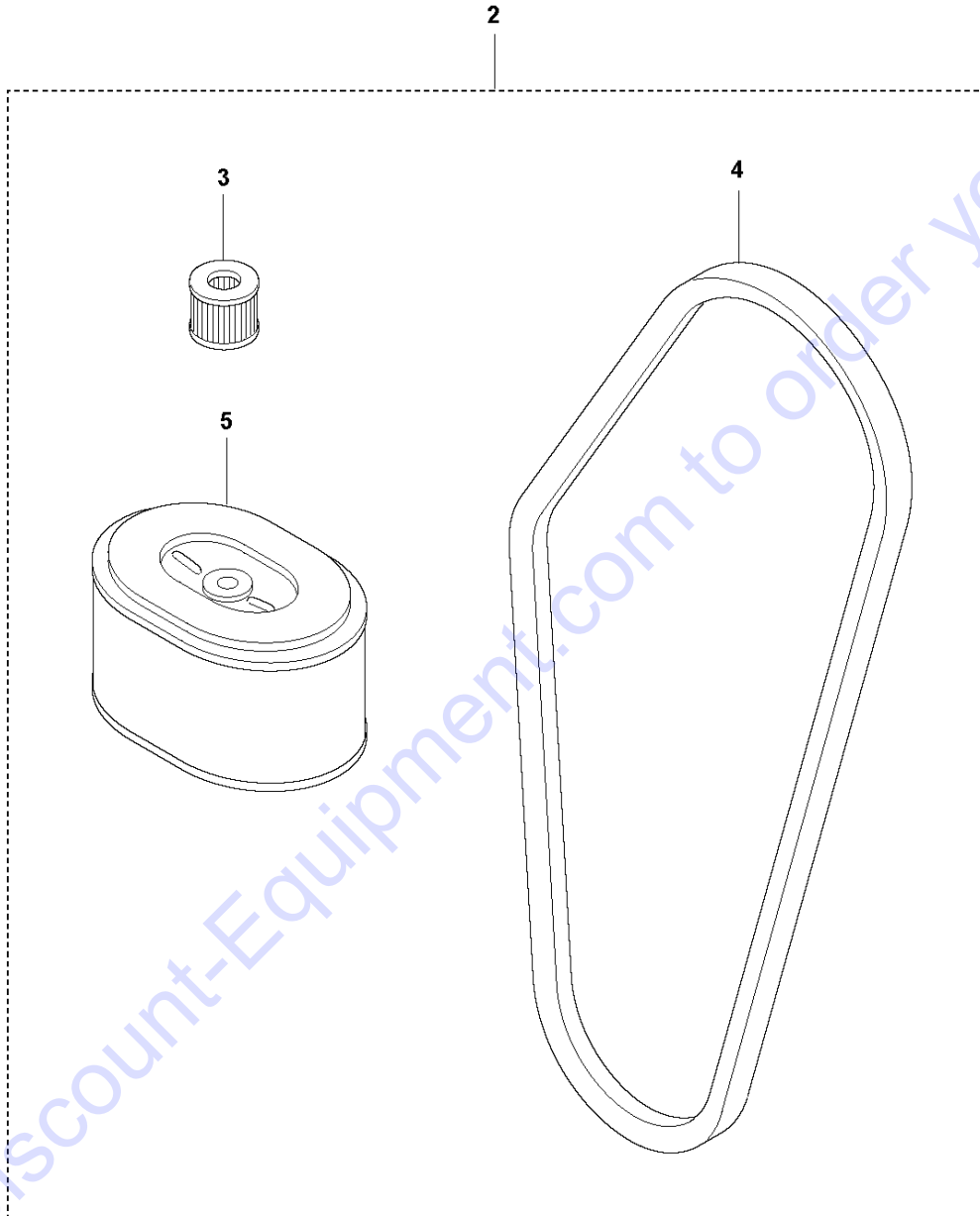


START UP KIT - HONDA LG 164, 967855601, 967855602, 967897601, 967897602, 967897604, 967897605, 2019-08

Ref	Part No	Description	Remark	QTY	KIT
1	595 38 57-01	SERVICE KIT		1	
2	595 38 58-01	SERVICE KIT		1	1
3	594 44 55-01	AIR FILTER		1	1
4	594 18 93-01	V-BELT		1	1
5	594 30 21-01	AIR FILTER		1	1
6	594 30 21-01	AIR FILTER		1	1

Go to [Discount-Equipment.com](http://Discount-Equipment.com) to order your parts

**W** LG164  
500 HOURS SERVICE KIT / 12 MONTHS SERVICE KIT - HONDA

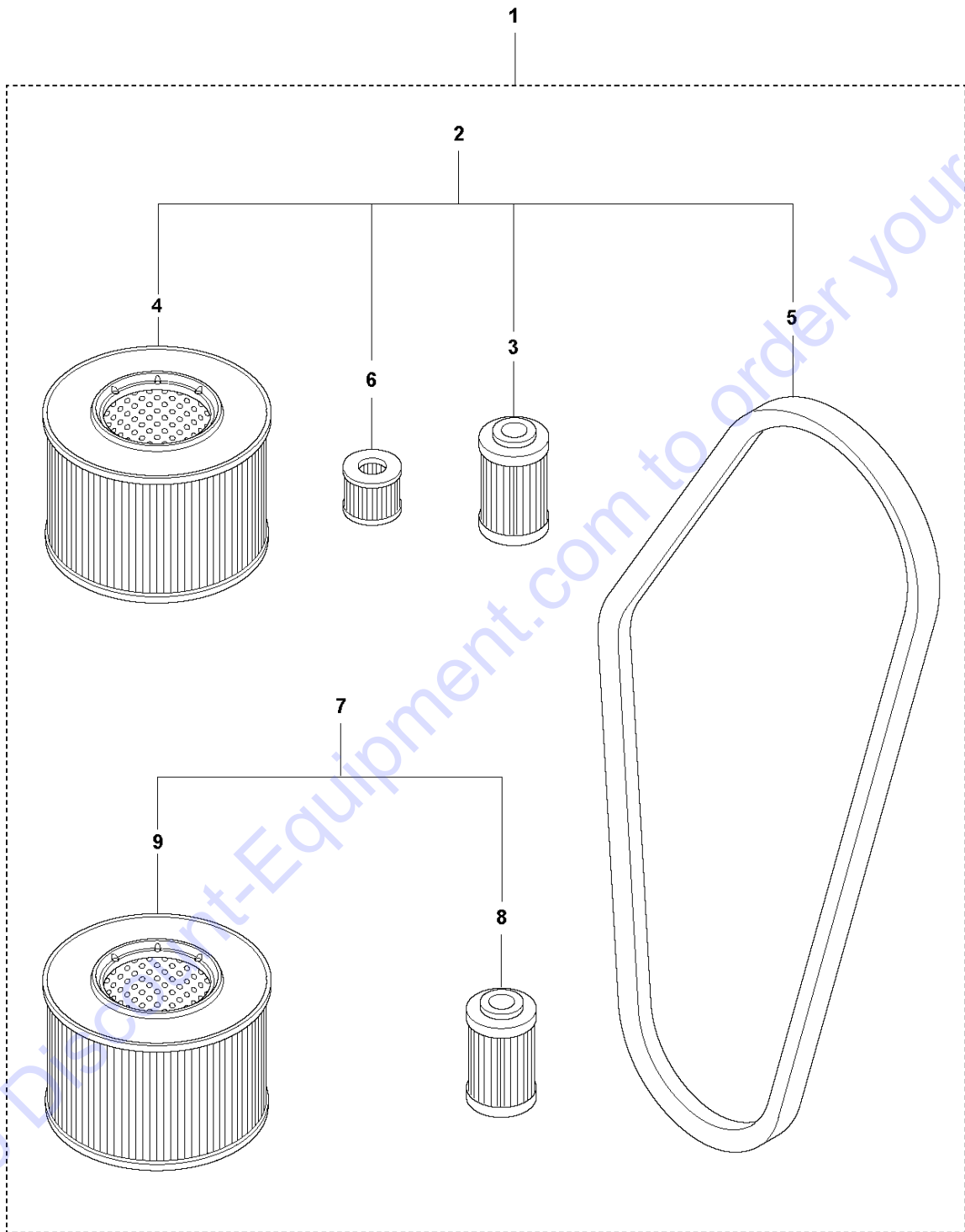


12 MONTHS / 500 HOURS SERVICE KIT - HONDA LG 164, 967855601, 967855602, 967897601, 967897602, 967897604, 967897605, 2019-08

Ref	Part No	Description	Remark	QTY	KIT
2	595 38 58-01	SERVICE KIT		1	
3	594 44 55-01	AIR FILTER		1	2
4	594 18 93-01	V-BELT		1	2
5	594 30 21-01	AIR FILTER		1	2

Go to [Discount-Equipment.com](http://Discount-Equipment.com) to order your parts

**X** LG 164  
START UP KIT - HATZ



Go to [DPS-Parts-Equipment.com](http://DPS-Parts-Equipment.com) to order your parts

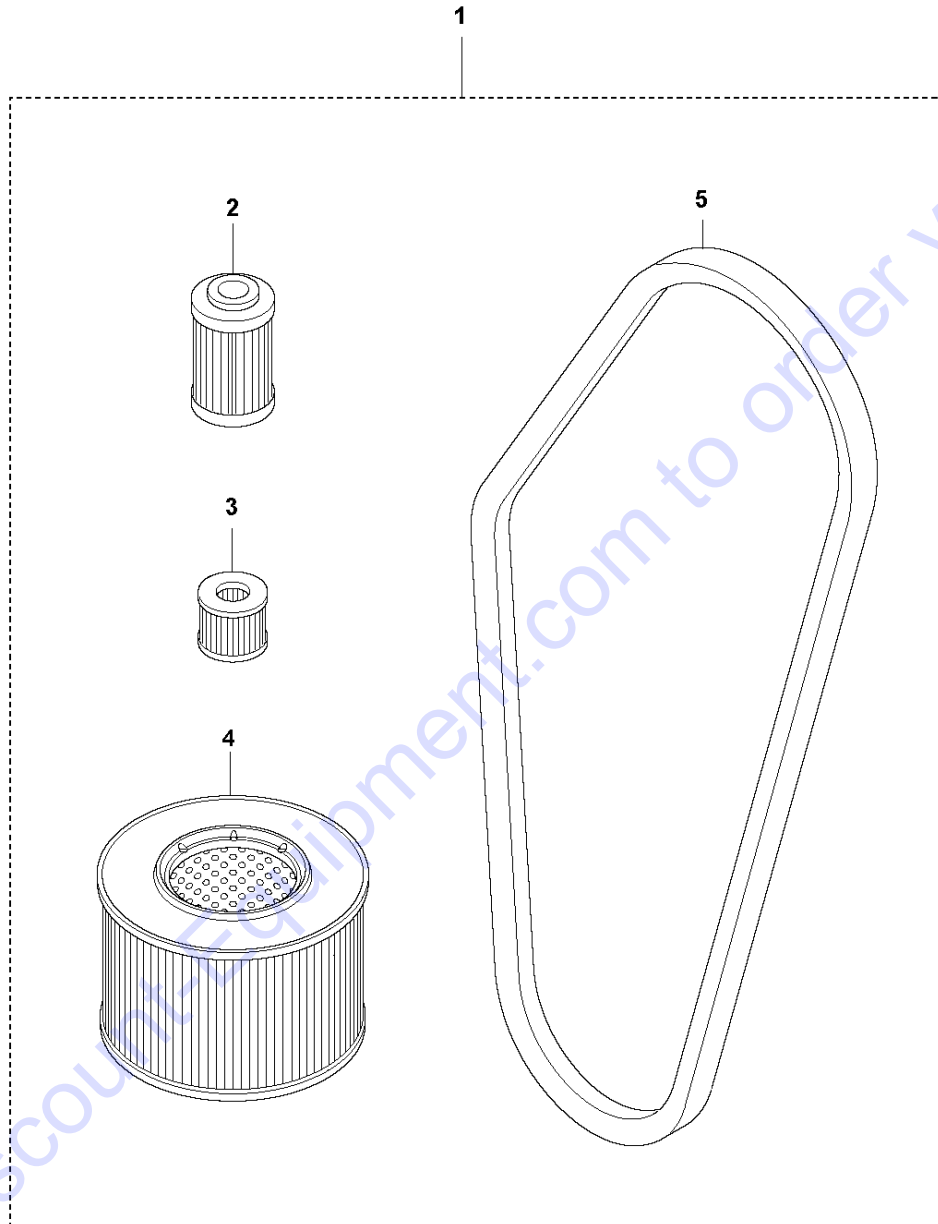
START UP KIT - HATZ  
967897605, 2019-08

LG 164, 967855601, 967855602, 967897601, 967897602, 967897604,

Ref	Part No	Description	Remark	QTY	KIT
1	594 21 86-01	SERVICE KIT		1	
2	594 21 87-01	SERVICE KIT		1	1
3	594 59 51-01	FUEL FILTER		1	2
4	594 57 11-01	FILTER		1	2
5	594 33 27-01	BELT		1	2
6	594 44 55-01	AIR FILTER		1	2
7	594 21 46-01	SERVICE KIT		1	
8	594 59 51-01	FUEL FILTER		1	7
9	594 57 11-01	FILTER		1	7

Go to [Discount-Equipment.com](http://Discount-Equipment.com) to order your parts

**Y** LG 164  
12 MONTHS 500 HOURS SERVICE KIT - HATZ



12 MONTHS / 500 HOURS SERVICE KIT - HATZ  
967897602, 967897604, 967897605, 2019-08

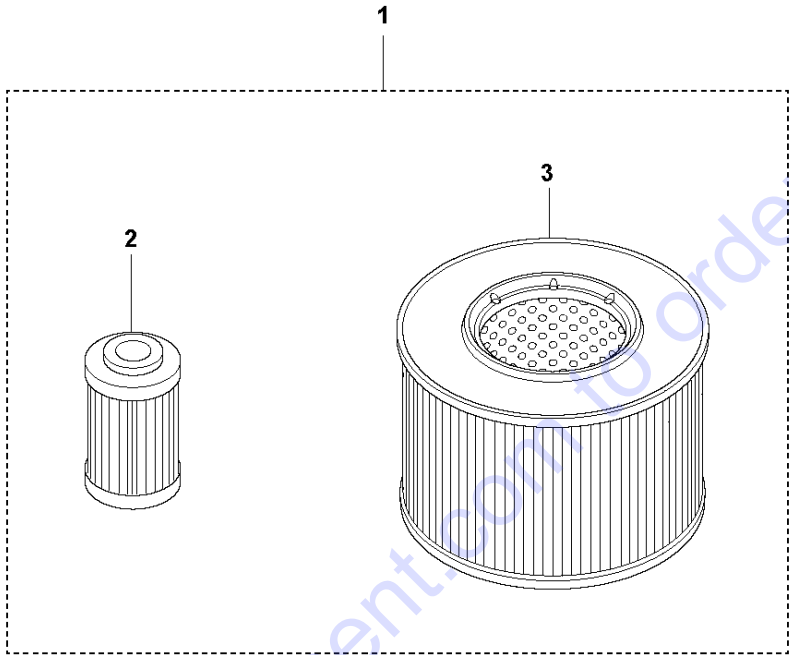
LG 164, 967855601, 967855602, 967897601,

Ref	Part No	Description	Remark	QTY KIT	
1	594 21 87-01	SERVICE KIT		1	
2	594 59 51-01	FUEL FILTER		1	1
3	594 57 11-01	FILTER		1	1
4	594 33 27-01	BELT		1	1
5	594 44 55-01	AIR FILTER		1	1

Go to [Discount-Equipment.com](http://Discount-Equipment.com) to order your parts



**Z** LG 164  
6 MONTHS / EVERY 250 HOURS KIT - HATZ



Go to Discount-Equipment.com to order your parts

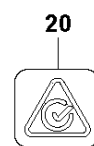
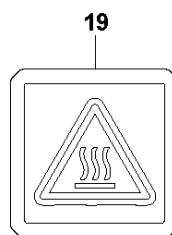
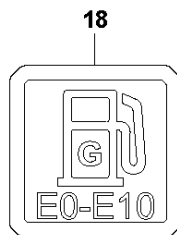
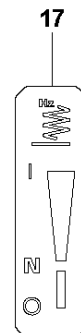
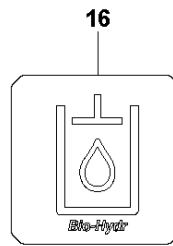
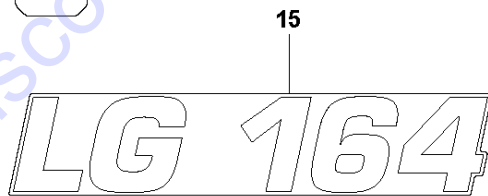
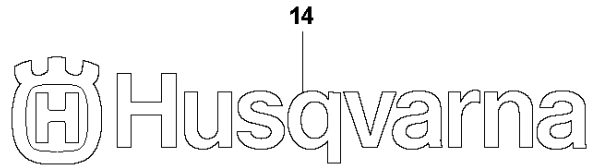
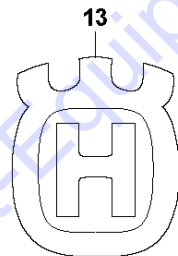
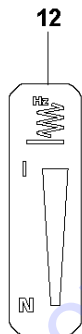
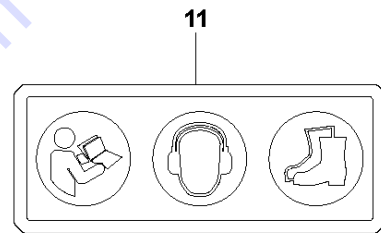
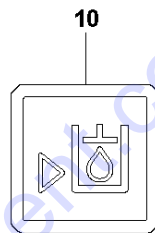
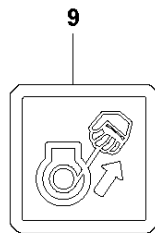
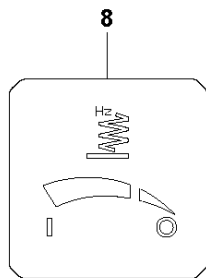
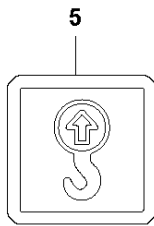
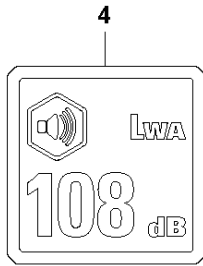
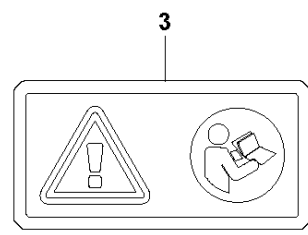
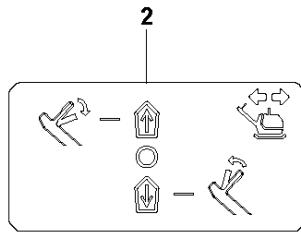
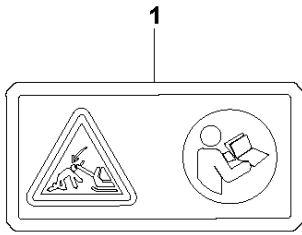
6 MONTHS / 250 HOURS SERVICE KIT - HATZ  
967897602, 967897604, 967897605, 2019-08

LG 164, 967855601, 967855602, 967897601,

Ref	Part No	Description	Remark	QTY	KIT
1	594 21 46-01	SERVICE KIT		1	
2	594 59 51-01	FUEL FILTER		1	1
3	594 57 11-01	FILTER		1	1

Go to [Discount-Equipment.com](http://Discount-Equipment.com) to order your parts

**AA** LG 164  
DECALS



DECALS LG 164, 967855601, 967855602, 967897601, 967897602, 967897604, 967897605, 2019-08

Ref	Part No	Description	Remark	QTY KIT
1	594 66 06-01	LABEL	Safety, Lock Handle	1
2	594 66 07-01	LABEL	Operator Panel	1
3	594 86 97-01	LABEL	Safety, Read instruction	1
4	595 21 63-01	DECAL	108 dB	1
5	594 66 09-01	LABEL	Lifting Point	1
6	594 46 40-01	DECAL	Throttle Indication 20x60 mm	1
7	594 66 16-01	LABEL	Fuel (Hatz version)	1
8	594 66 05-01	LABEL	Throttle Control Non EPA	1
9	594 86 96-01	LABEL	Manual start	1
10	595 51 28-01	LABEL	Hydraulic Oil Level	1
11	594 65 96-01	LABEL	Protection	1
12	595 21 65-01	LABEL	Gas throttle Honda	1
13	578 26 57-01	DECAL	HVA crown	1
14	577 46 90-01	DECAL	HVA logo	1
15	595 09 52-01	DECAL	brand decal	2
16	595 46 94-01	DECAL		1
17	595 21 66-01	LABEL	Gas throttle Hatz	1
18	594 66 02-01	LABEL	Fuel (Honda version)	1
19	594 65 98-01	LABEL	Safety, Hot surfaces	1
20	596 28 02-01	DECAL	Compliance	1

Go to Discount-Equipment.com to order your parts

# PARTS FINDER

**Search Website  
by Part Number**



**Search Manual  
Library For Parts  
Manual & Lookup Part  
Numbers – Purchase  
or Request Quote**

**Search Manuals**

Enter your information to help us find the right parts manual for your machine.

\* Brand:

\* Model:

\* Serial:

\* Part Number:

SEARCH

**Can't Find Part or  
Manual? Request Help  
by Manufacturer,  
Model & Description**

**Parts Order Form**

Please fill in the following information to help us find the right part for your machine.

Manufacturer:	<input type="text"/>
Model:	<input type="text"/>
Description:	<input type="text"/>
Part Number:	<input type="text"/>
Quantity:	<input type="text"/>
Notes:	<input type="text"/>

Submit

Discount-Equipment.com is your online resource for quality parts & equipment.

Florida: **561-964-4949** Outside Florida TOLL FREE: **877-690-3101**

**Need parts?**

Click on this link: <http://www.discount-equipment.com/category/5443-parts/> and choose one of the options to help get the right parts and equipment you are looking for. Please have the machine model and serial number available in order to help us get you the correct parts. If you don't find the part on the website or on one of the online manuals, please fill out the request form and one of our experienced staff members will get back to you with a quote for the right part that your machine needs.

We sell worldwide for the brands: Genie, Terex, JLG, MultiQuip, Mikasa, Essick, Whiteman, Mayco, Toro Stone, Diamond Products, Generac Magnum, Airman, Haulotte, Barreto, Power Blanket, Nifty Lift, Atlas Copco, Chicago Pneumatic, Allmand, Miller Curber, Skyjack, Lull, Skytrak, Tsurumi, Husquvarna Target, Stow, Wacker, Sakai, Mi-T-M, Sullair, Basic, Dynapac, MBW, Weber, Bartell, Bennar Newman, Haulotte, Ditch Runner, Menegotti, Morrison, Contec, Buddy, Crown, Edco, Wyco, Bomag, Laymor, EZ Trench, Bil-Jax, F.S. Curtis, Gehl Pavers, Heli, Honda, ICS/PowerGrit, IHI, Partner, Imer, Clipper, MMD, Koshin, Rice, CH&E, General Equipment, Amida, Coleman, NAC, Gradall, Square Shooter, Kent, Stanley, Tamco, Toku, Hatz, Kohler, Robin, Wisconsin, Northrock, Oztec, Toker TK, Rol-Air, APT, Wylie, Ingersoll Rand / Doosan, Innovatech, Con X, Ammann, Mecalac, Makinex, Smith Surface Prep, Small Line, Wanco, Yanmar