



# SPARE PARTS LIST

LIGHT COMPACTION

LX 90, 967897101, 2019-06

Go to [Discount-Equipment.com](https://Discount-Equipment.com) to order your parts



# PARTS FINDER

**Search Website  
by Part Number**



**Search Manual  
Library For Parts  
Manual & Lookup Part  
Numbers – Purchase  
or Request Quote**

**Search Manuals**

Enter your information to help us find the right parts manual for your machine.

\* Brand:

\* Model:

\* Serial:

\* Part Number:

SEARCH

**Can't Find Part or  
Manual? Request Help  
by Manufacturer,  
Model & Description**

**Parts Order Form**

Please fill in the following information to help us find the right part for your machine.

Manufacturer:	<input type="text"/>
Model:	<input type="text"/>
Description:	<input type="text"/>
Part Number:	<input type="text"/>
Quantity:	<input type="text"/>
Notes:	<input type="text"/>

Submit

Discount-Equipment.com is your online resource for quality parts & equipment.

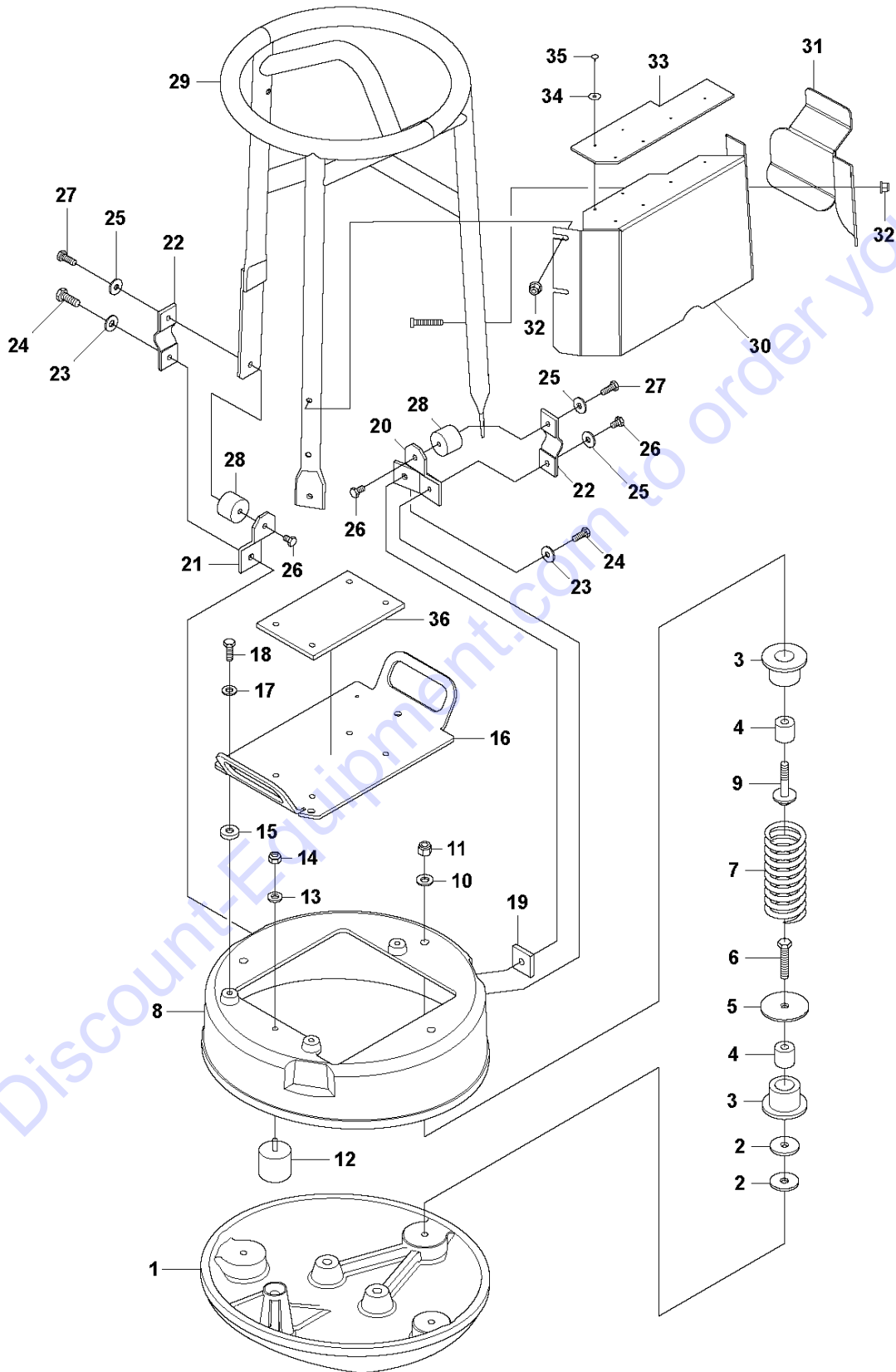
Florida: **561-964-4949** Outside Florida TOLL FREE: **877-690-3101**

**Need parts?**

Click on this link: <http://www.discount-equipment.com/category/5443-parts/> and choose one of the options to help get the right parts and equipment you are looking for. Please have the machine model and serial number available in order to help us get you the correct parts. If you don't find the part on the website or on one of the online manuals, please fill out the request form and one of our experienced staff members will get back to you with a quote for the right part that your machine needs.

We sell worldwide for the brands: Genie, Terex, JLG, MultiQuip, Mikasa, Essick, Whiteman, Mayco, Toro Stone, Diamond Products, Generac Magnum, Airman, Haulotte, Barreto, Power Blanket, Nifty Lift, Atlas Copco, Chicago Pneumatic, Allmand, Miller Curber, Skyjack, Lull, Skytrak, Tsurumi, Husquvarna Target, Stow, Wacker, Sakai, Mi-T-M, Sullair, Basic, Dynapac, MBW, Weber, Bartell, Bennar Newman, Haulotte, Ditch Runner, Menegotti, Morrison, Contec, Buddy, Crown, Edco, Wyco, Bomag, Laymor, EZ Trench, Bil-Jax, F.S. Curtis, Gehl Pavers, Heli, Honda, ICS/PowerGrit, IHI, Partner, Imer, Clipper, MMD, Koshin, Rice, CH&E, General Equipment, Amida, Coleman, NAC, Gradall, Square Shooter, Kent, Stanley, Tamco, Toku, Hatz, Kohler, Robin, Wisconsin, Northrock, Oztec, Toker TK, Rol-Air, APT, Wylie, Ingersoll Rand / Doosan, Innovatech, Con X, Ammann, Mecalac, Makinex, Smith Surface Prep, Small Line, Wanco, Yanmar

**A** LX 90  
BASE PLATE



Go to DiscountEquipment.com to order your parts

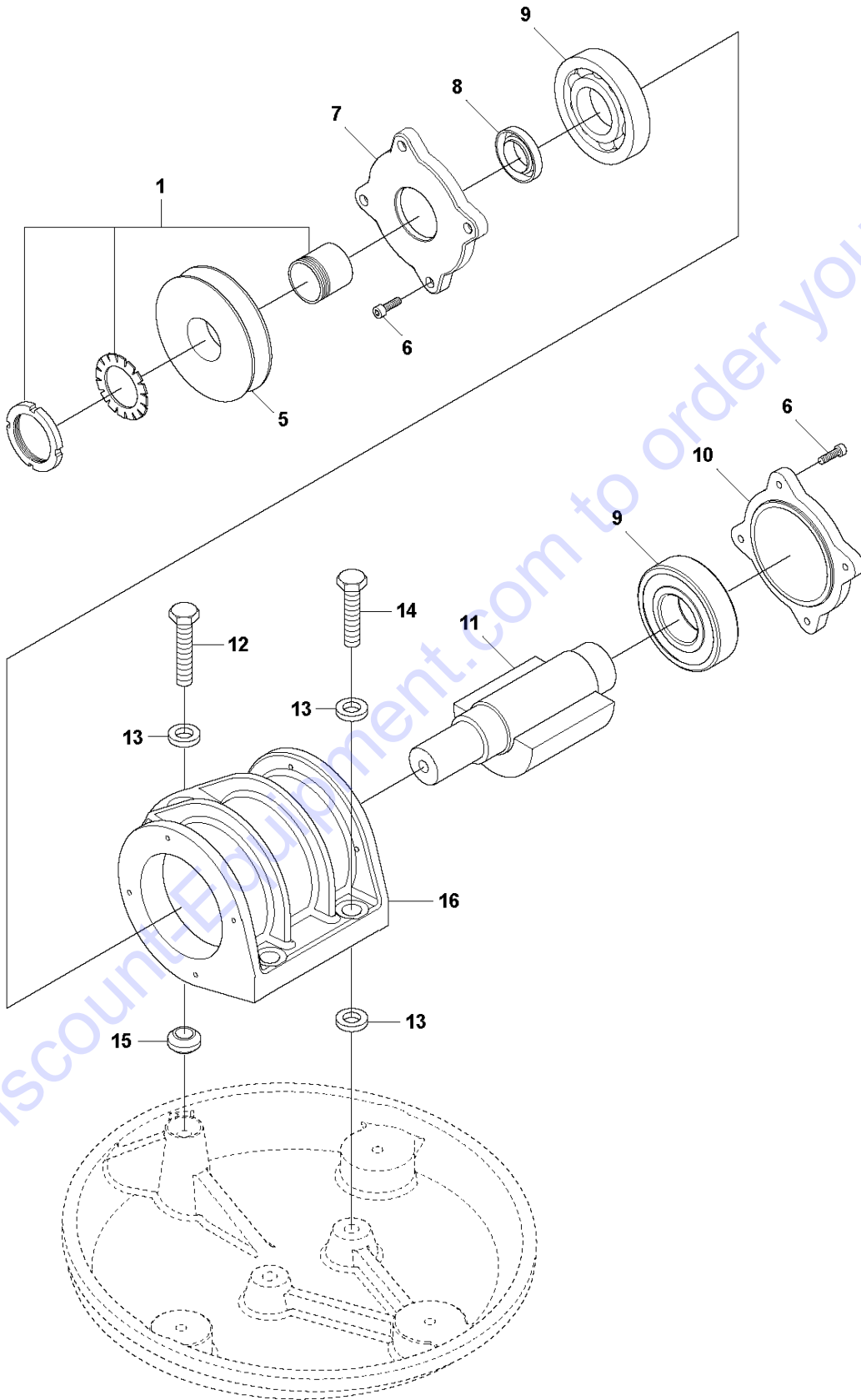
## BASE PLATE

LX 90, 967897101, 2019-06

Ref	Part No	Description	Remark	QTY KIT
1	595 05 24-01	PLATE		1
2	594 15 70-01	WASHER		5
3	594 15 68-01	BUSHING		6
4	594 15 69-01	SPACER		6
5	594 51 48-01	WASHER		3
6	594 11 93-01	BOLT	M12x60 mm 8.8 A3K	3
7	594 34 62-01	SPRING		3
8	594 15 57-01	ENGINE		1
9	594 15 72-01	SCREW		3
10	595 06 68-01	WASHER	13x24x2 mm 300 HV	3
11	595 11 27-01	NUT		3
12	594 15 67-01	ABSORBER		1
13	595 06 66-01	WASHER	8.4x 6x1.5 mm 300HV	1
14	595 35 23-01	NUT	M8	1
15	595 06 76-01	WASHER	10.5x28x6 mm	3
16	595 45 34-01	ENGINE PLATE		1
17	595 06 67-01	WASHER		3
18	595 07 11-01	SCREW		3
19	595 46 69-01	WASHER	14 x 40 x 4 mm, 0.55 x 1.57 x 0.16	1
20	594 15 71-01	BRACKET		1
21	594 15 66-01	BRACKET		2
22	594 15 58-01	STRAP		3
23	595 06 74-01	WASHER	10.5x22x4 mm 300 HV	3
24	595 05 44-01	SCREW	M10x30	3
25	595 11 29-01	WASHER	8.4x26x4 mm 300 HV	4
26	596 88 97-07	SCREW		4
27	595 05 54-01	SCREW	M8x20 mm 8.8 A2K	3
28	594 42 90-01	ABSORBER		3
29	594 17 46-01	HANDLE		1
30	594 96 09-01	BELT GUARD		1
31	594 34 52-01	GUARD		1
32	594 12 30-01	LOCK NUT	M8x1.25 mm A2K	4
33	594 15 75-01	SHROUD		1
34	595 18 91-01	WASHER	5x19x1 mm Expired/Eliminated	6
35	595 18 77-01	RIVET		6
36	594 15 73-01	ABSORBER		1

Go to Discount-Equipment.com to order your parts

**B** LX 90  
ECCENTRIC ELEMENT



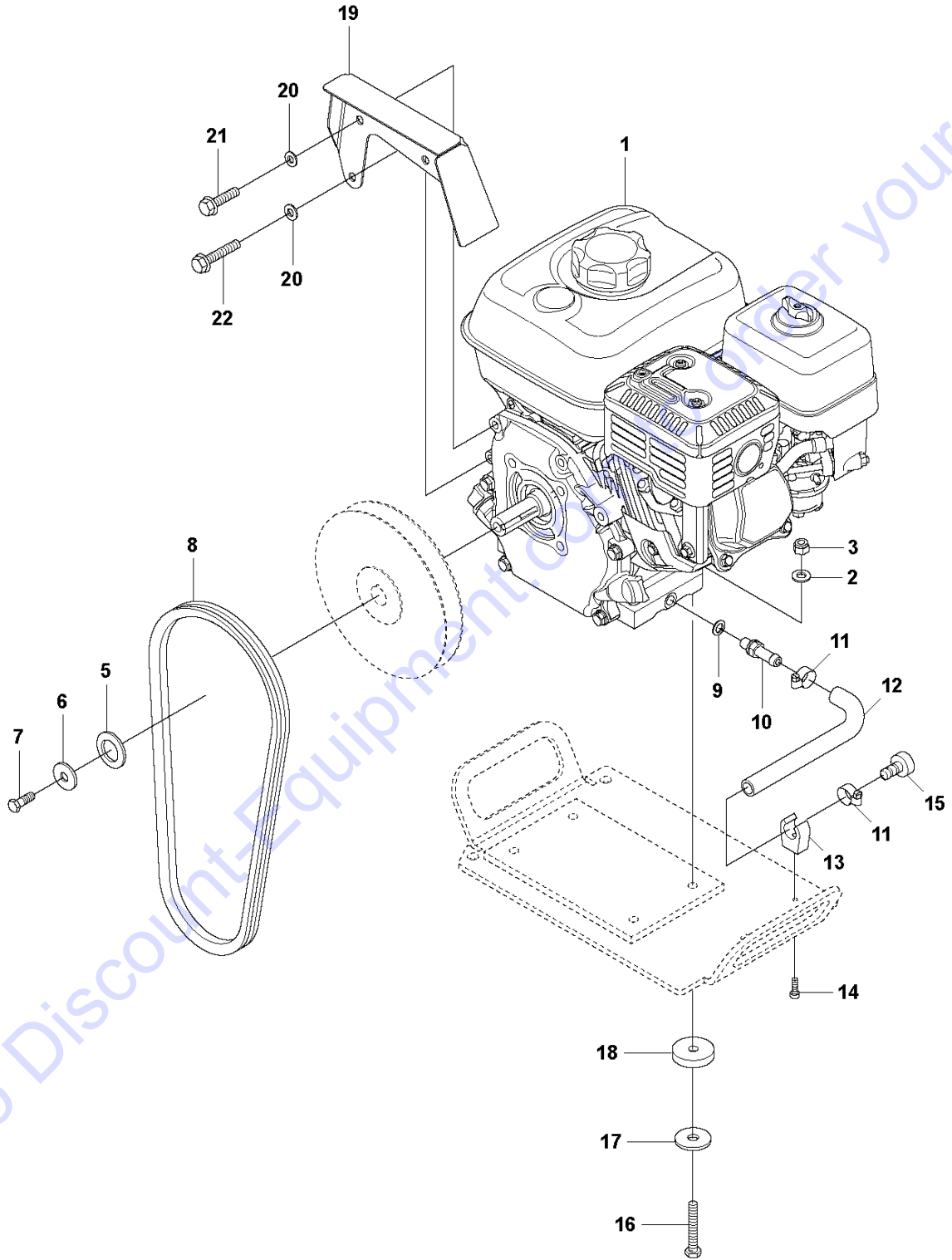
ECCENTRIC ELEMENT

LX 90, 967897101, 2019-06

Ref	Part No	Description	Remark	QTY KIT
1	594 15 62-01	CLAMPING SLEEVE		1
5	594 15 64-01	PULLEY		1
6	595 34 80-01	SCREW	M6 x 20 mm 8.8 A2K	8
7	595 12 20-01	COVER		1
8	595 04 46-01	SEALING RING		1
9	594 15 61-01	BALL BEARING		2
10	595 12 19-01	COVER		1
11	594 15 63-01	SHAFT		1
12	595 07 05-01	SCREW	M16 x 75 mm 10.9 GEOMET®	1
13	595 06 75-01	WASHER	17 x 30 x 6 mm, 0.70 x 1.18 x 0.24 in. 300 HV	5
14	595 07 03-01	SCREW	M16 x 65 mm 10.9 GEOMET®	2
15	595 12 21-01	WASHER		1
16	595 12 18-01	EXCENTER		1

Go to Discount-Equipment.com to order your parts

**C** LX 90  
ENGINE INSTALLATION



## ENGINE INSTALLATION

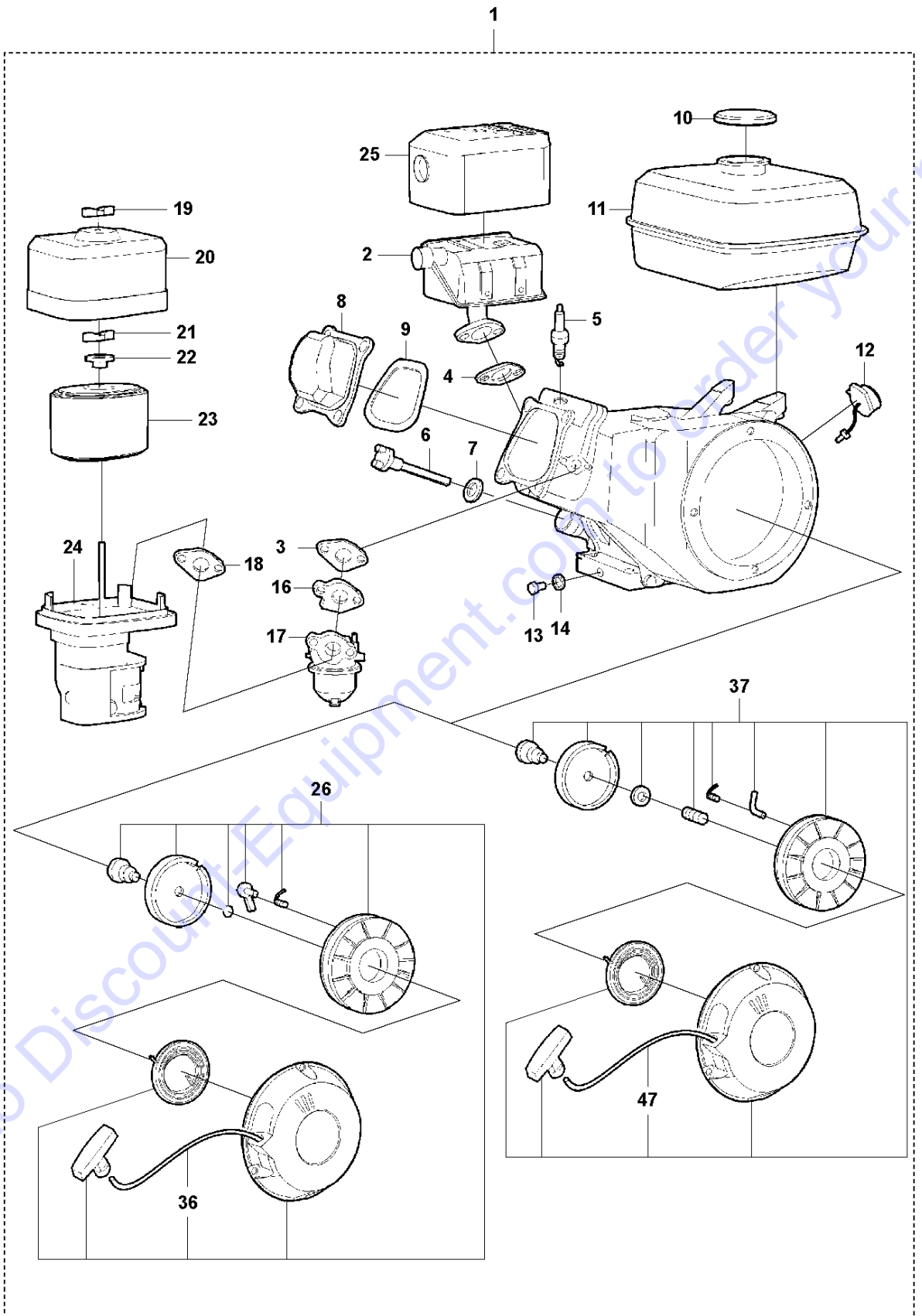
LX 90, 967897101, 2019-06

Ref	Part No	Description	Remark	QTY KIT
1	594 32 99-01	ENGINE	Honda GX160UT2 SXS4 SD	1
2	595 03 66-01	WASHER	8.4 x 16 x 1.5 mm, 0.33 x 0.63 x 0.06 in. 300 HV	4
3	595 35 23-01	NUT	M8	4
5	595 06 70-01	WASHER	21 x 36 x 3 mm, 0.83 x 1.42 x 0.24 in. 300 HV	1
6	595 11 29-01	WASHER	8.4 x 26 x 4 mm, 0.33 x 1.02 x 0.16 in. 300 HV	1
7	594 11 79-01	SCREW	M8 x 20 mm 8.8 A2K	1
8	594 29 90-01	V-BELT		1
9	595 29 03-01	WASHER	10 x 14 x 1 mm, 0.39 x 0.55 x 0.04 in.	1
10	594 64 82-01	HOSE CONNECTOR		1
11	595 45 46-01	CLAMP	11-18 x 9 mm, 0.43 -0.71 x 0.35 in.	2
12	594 14 78-01	HOSE		1
13	594 33 10-01	CLIP		1
14	595 03 32-01	SCREW	M6x16	1
15	594 14 73-01	PLUG		1
16	595 05 57-01	SCREW	M8 x 55 mm 8.8 A2K	4
17	594 50 16-01	WASHER	9 x 35 x 2 mm, 0.35 x 1.38 x 0.08 in. SR	4
18	594 15 74-01	WASHER		4
19	595 21 31-01	COVER		1
20	595 04 39-01	WASHER	8 x 13.5 mm, 0.53 x 0.31 x in. NORD-LOCK®	7
21	594 12 00-01	SCREW	M8 x 25 mm 8.8 A2K	1
22	595 28 71-01	SCREW	M8x50	3

Go to Discount-Equipment.com to order your parts



**D** LX 90  
ENGINE - HONDA GX 160 UT2 SXS4 OH



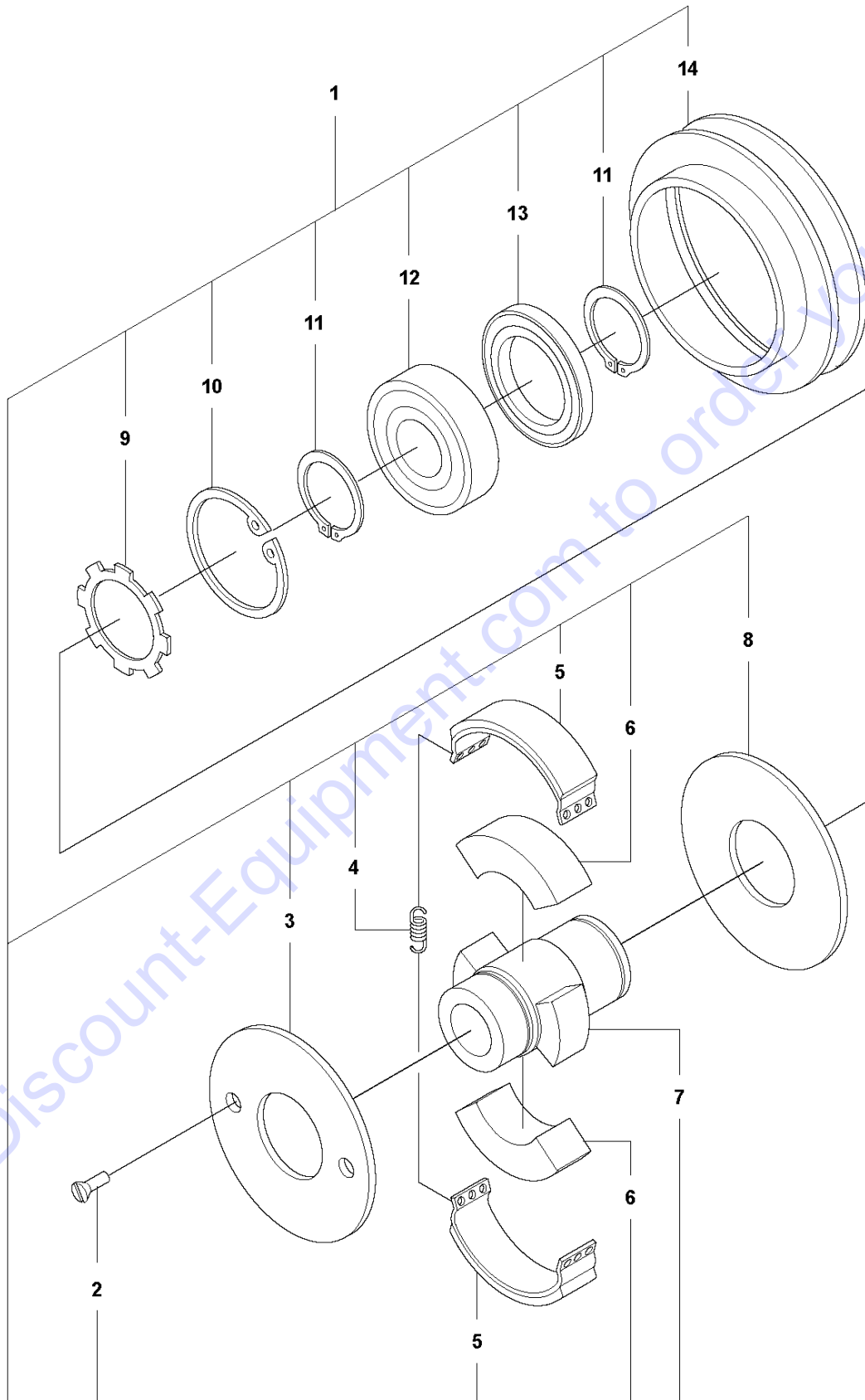
## ENGINE

LX 90, 967897101, 2019-06

Ref	Part No	Description	Remark	QTY	KIT
1	594 32 99-01	ENGINE	Honda GX160UT2 SXS4 SD	1	
2	594 20 36-01	INLET SILENCER		1	1
3	594 20 41-01	GASKET		1	1
4	594 30 04-01	GASKET		1	1
5	594 20 40-01	SPARK PLUG	(bpr6es) (ngk)	1	1
6	594 20 38-01	OIL		1	1
7	594 20 39-01	GASKET		1	1
8	595 47 11-01	COVER		1	1
9	595 04 88-01	GASKET		1	1
10	594 20 46-01	FUEL CAP		1	1
11	594 20 45-01	FUEL TANK		1	1
12	594 20 44-01	STOP		1	1
13	595 45 28-01	PLUG		1	1
14	595 04 89-01	GASKET		1	1
16	594 57 26-01	GASKET		1	1
17	594 20 37-01	CARBURETTOR		1	1
18	595 07 00-01	SPACER		1	1
19	595 04 93-01	NUT		1	1
20	595 04 92-01	COVER		1	1
21	595 04 93-01	NUT		1	1
22	595 04 94-01	GASKET		1	1
23	594 30 21-01	AIR FILTER	Delivered with outer and inner filter.	1	1
24	594 58 24-01	ADAPTER		1	1
25	594 30 02-01	MUFFLER COVER		1	1
26	594 30 06-01	STARTER	Valid up to engine serial number 1411005, Red	1	1
36	595 04 91-01	ROPE		1	1, 26
37	594 20 48-01	STARTER	"recoil ""nh1"", Valid from engine serial number 1411006, Black"	1	1
47	595 04 91-01	ROPE		1	1, 37

Go to Discount-Equipment.com to order your parts

**E** LX 90  
CENTRIFUGAL CLUTCH



Go to [Discount-Equipment.com](http://Discount-Equipment.com) to order your parts

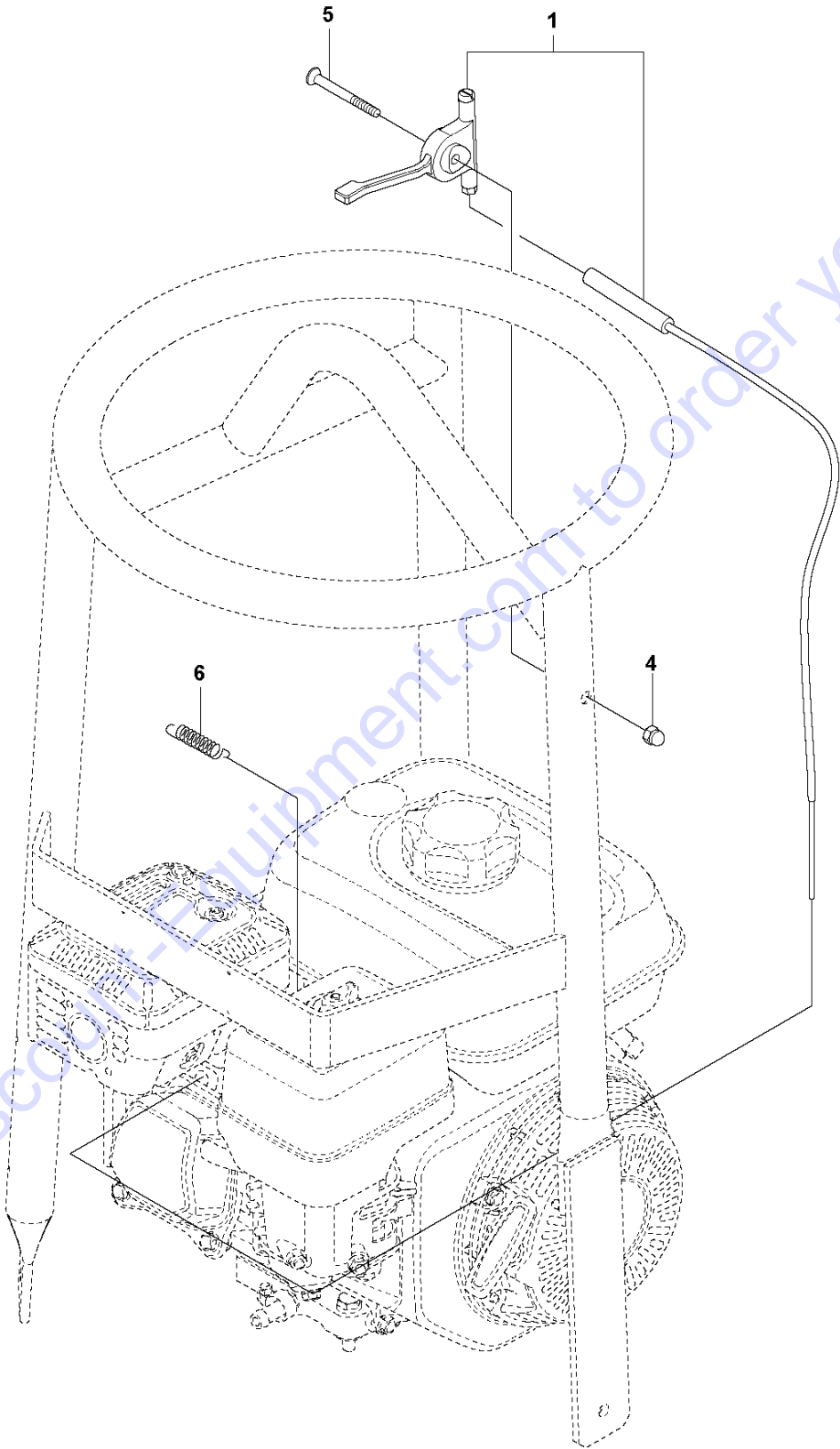
## CENTRIFUGAL CLUTCH

LX 90, 967897101, 2019-06

Ref	Part No	Description	Remark	QTY	KIT
1	594 15 65-01	CENTRIFUGAL CLUTCH		1	
2	595 05 93-01	SCREW		2	1
3	594 14 76-01	CLUTCH COVER		1	1
4	594 58 36-01	SPRING		4	1
5	595 45 32-01	CLUTCH		2	1
6	594 14 77-01	CLUTCH		2	1
7	595 15 99-01	CLUTCH		1	1
8	594 31 31-01	COVER		1	1
9	594 30 88-01	RING		1	1
10	594 58 44-01	RING		1	1
11	594 58 45-01	RING		2	1
12	594 58 43-01	BALL BEARING		1	1
13	594 26 37-01	RING		1	1
14	594 58 04-01	PULLEY		1	1

Go to [Discount-Equipment.com](http://Discount-Equipment.com) to order your parts

**F** LX 90  
THROTTLE CONTROL



Go to [Discount-Equipment.com](http://Discount-Equipment.com) to order your parts

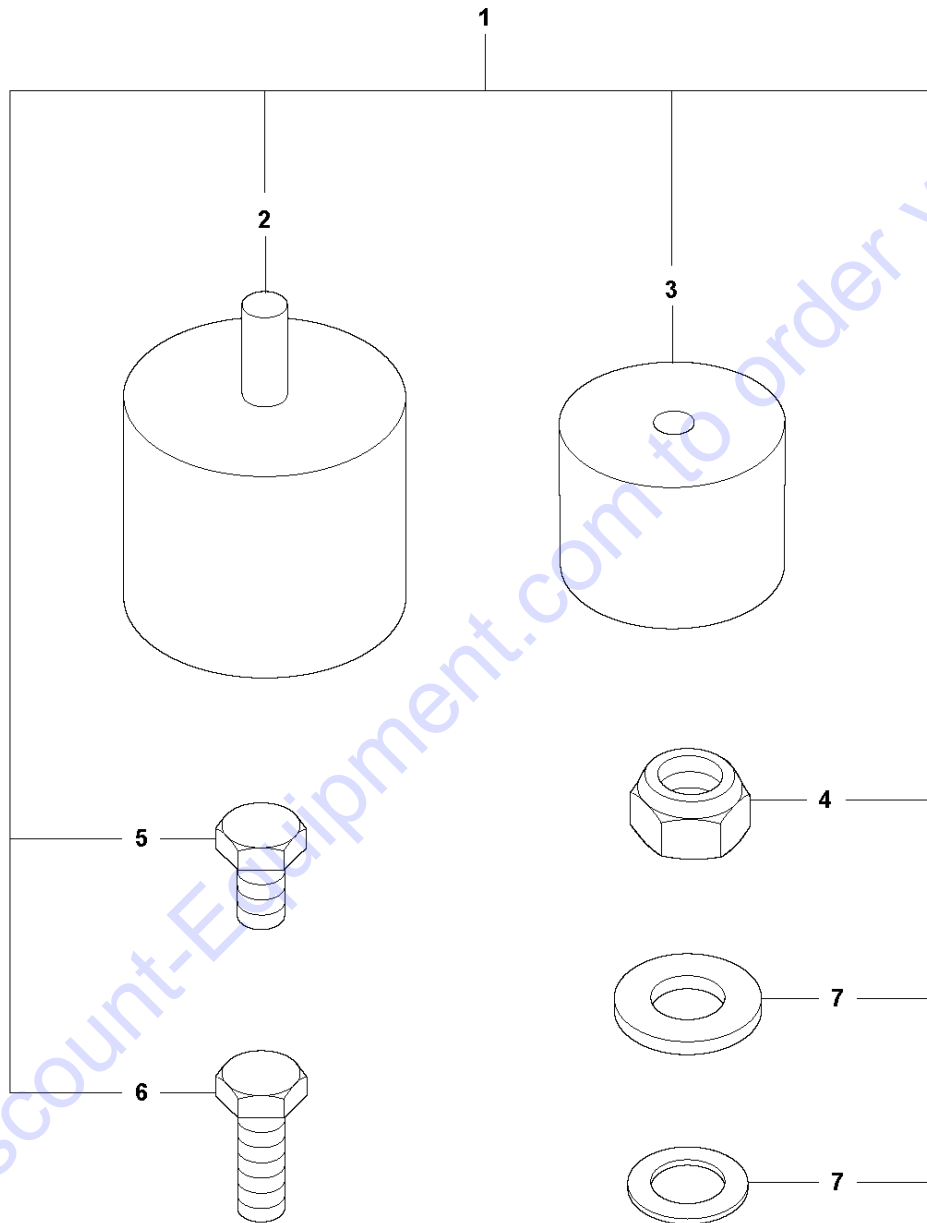
## THROTTLE CONTROL

LX 90, 967897101, 2019-06

Ref	Part No	Description	Remark	QTY KIT
1	594 34 10-01	THROTTLE CONTROL		1
4	595 06 01-01	NUT		1
5	598 07 00-01	SCREW		1
6	594 32 77-01	SPRING		1

Go to [Discount-Equipment.com](https://Discount-Equipment.com) to order your parts

**G** LX 90  
SHOCK ABSORBER REPAIR KIT



Go to Discount-Equipment.com to order your parts

## SHOCK ABSORBER REPAIR KIT

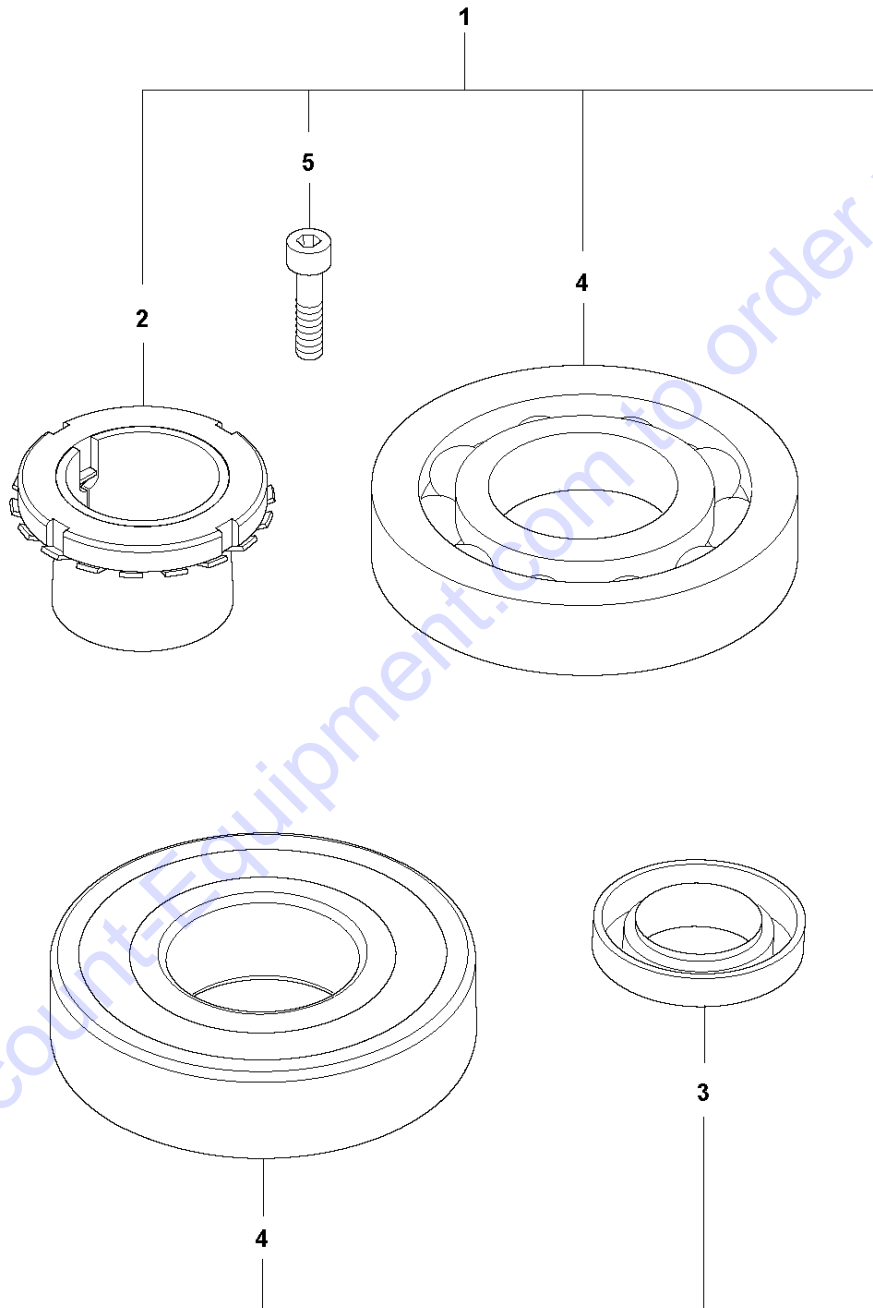
LX 90, 967897101, 2019-06

Ref	Part No	Description	Remark	QTY KIT	
1	594 19 71-01	REPAIR KIT		1	
2	594 15 67-01	ABSORBER		1	1
3	594 42 90-01	ABSORBER		3	1
4	594 12 30-01	LOCK NUT	Nut M08x1,25, -8, A2K (lock nut)	1	1
5	596 88 97-07	SCREW	M8 x 12 mm 8.8 A2K	3	1
6	594 11 79-01	SCREW	M8 x 20	1	1
7	595 11 29-01	WASHER	8.4 x 26 x 4 mm, 0.33 x 1.02 x 0.16 in. 300 HV	3	1
7	595 03 66-01	WASHER	8.4 x 16 x 1.5 mm, 0.33 x 0.63 x 0.06 in. 300 HV	4	1

Go to Discount-Equipment.com to order your parts



**H** LX 90  
ECCENTRIC ELEMENT REPAIR KIT



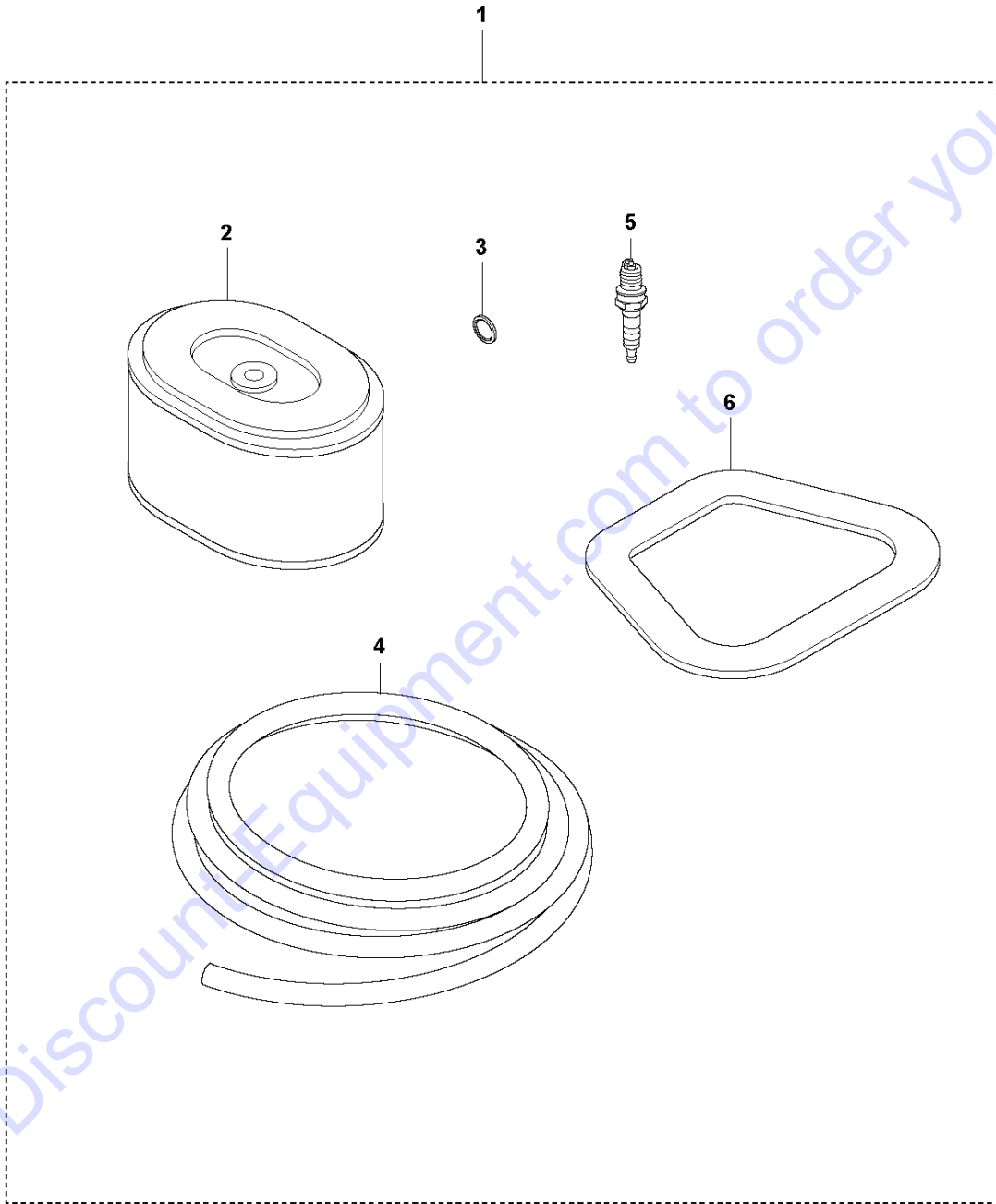
## ECCENTRIC ELEMENT REPAIR KIT

LX 90, 967897101, 2019-06

Ref	Part No	Description	Remark	QTY KIT	
1	594 19 72-01	REPAIR KIT		1	
2	594 15 62-01	CLAMPING SLEEVE		1	1
3	595 04 46-01	SEALING RING		1	1
4	594 15 61-01	BALL BEARING		2	1
5	595 34 80-01	SCREW	M6x20 mm 8.8 A2K	8	1

Go to [Discount-Equipment.com](https://Discount-Equipment.com) to order your parts

**J** LX 90  
SERVICE KIT - HONDA GX 160 UT2 SXS4 OH



Go to DiscountEquipment.com to order your parts

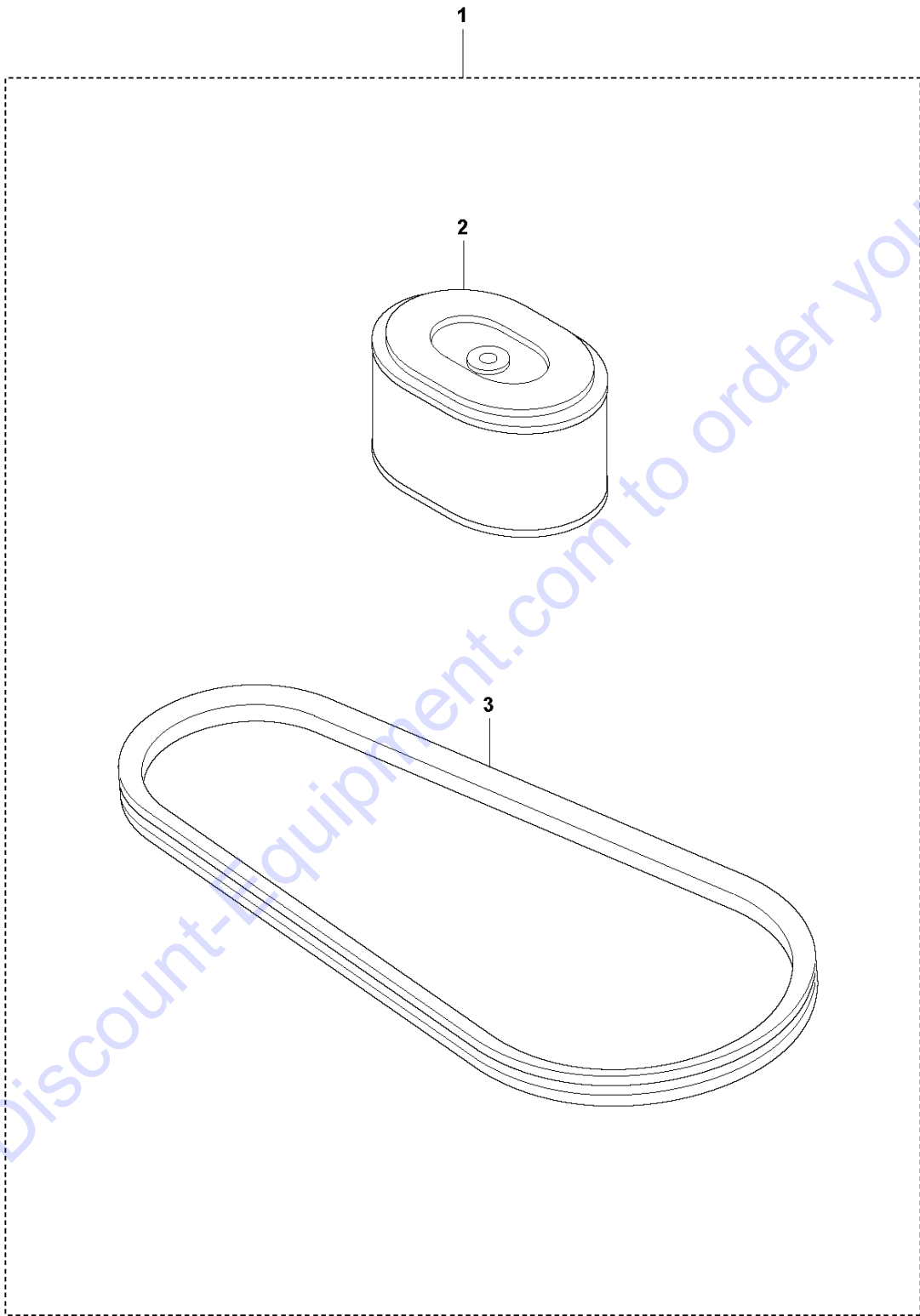
## SERVICE KIT

LX 90, 967897101, 2019-06

Ref	Part No	Description	Remark	QTY	KIT
1	594 20 02-01	SERVICE KIT		1	
2	594 30 21-01	AIR FILTER		1	1
3	595 04 89-01	GASKET		1	1
4	595 04 91-01	ROPE		1	1
5	594 54 43-01	SPARK PLUG		1	1
6	595 04 88-01	GASKET		1	1

Go to [Discount-Equipment.com](http://Discount-Equipment.com) to order your parts

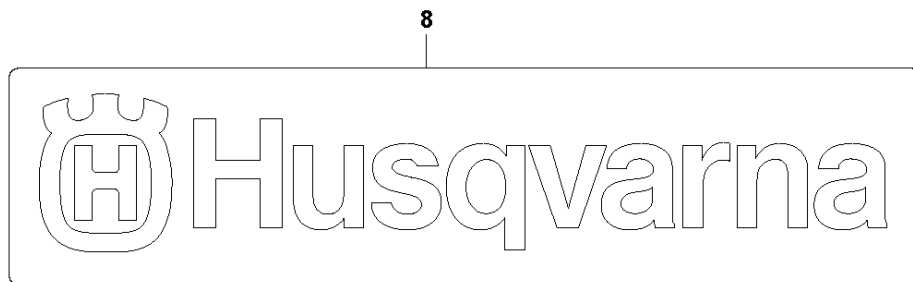
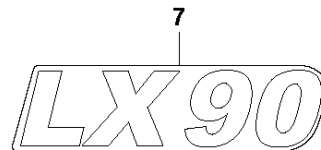
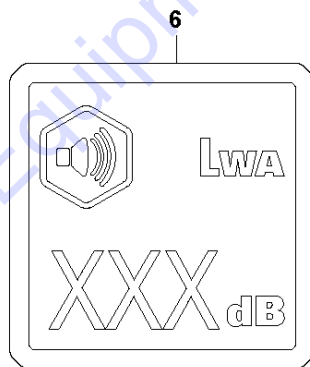
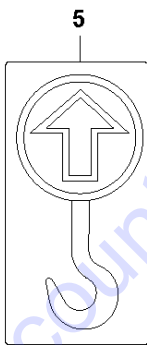
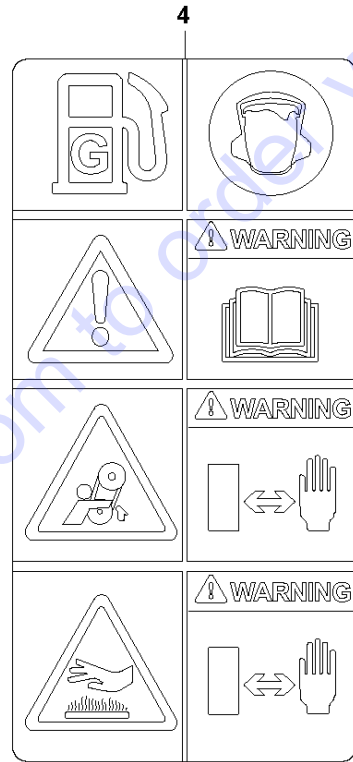
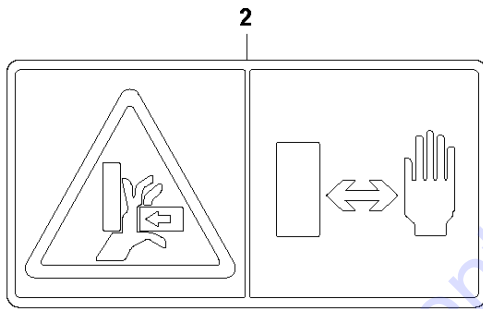
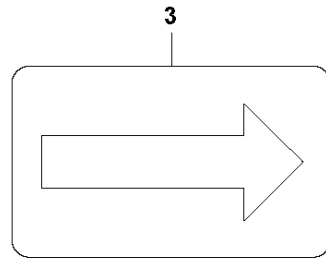
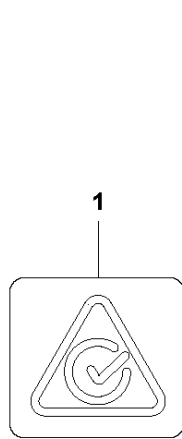
**K** LX 90  
12 MONTHS / 200 HOURS SERVICE KIT



Ref	Part No	Description	Remark	QTY	KIT
1	594 21 61-01	SERVICE KIT		1	
2	594 30 21-01	AIR FILTER		1	1
3	594 29 90-01	V-BELT		1	1

Go to [Discount-Equipment.com](http://Discount-Equipment.com) to order your parts

**L** LX 90  
DECALS



Go to Discount-Equipment.com to order your parts

## DECALS

LX 90, 967897101, 2019-06

Ref	Part No	Description	Remark	QTY KIT
1	596 28 02-01	DECAL	DECAL Compliance RCM	1
2	594 53 64-01	DECAL		3
3	594 34 09-01	DECAL		1
4	595 46 44-01	DECAL	Petrol, ear protection, read instruction manual, crush zone and hot surface.	1
5	595 05 12-01	DECAL		1
6	594 51 55-01	DECAL		1
8	577 46 90-01	DECAL		1
7	595 09 67-01	DECAL		1

Go to [Discount-Equipment.com](https://Discount-Equipment.com) to order your parts



# PARTS FINDER

**Search Website  
by Part Number**



**Search Manual  
Library For Parts  
Manual & Lookup Part  
Numbers – Purchase  
or Request Quote**

**Search Manuals**

Enter your information to help us find the right parts manual for your equipment.

\* Brand:

\* Model:

\* Serial:

\* Part Number:

SEARCH

**Can't Find Part or  
Manual? Request Help  
by Manufacturer,  
Model & Description**

**Parts Order Form**

Please fill in the following information to help us find the right part for your equipment.

Manufacturer:	<input type="text"/>
Model:	<input type="text"/>
Description:	<input type="text"/>
Part Number:	<input type="text"/>
Quantity:	<input type="text"/>
Notes:	<input type="text"/>

Submit

Discount-Equipment.com is your online resource for quality parts & equipment.

Florida: **561-964-4949** Outside Florida TOLL FREE: **877-690-3101**

**Need parts?**

Click on this link: <http://www.discount-equipment.com/category/5443-parts/> and choose one of the options to help get the right parts and equipment you are looking for. Please have the machine model and serial number available in order to help us get you the correct parts. If you don't find the part on the website or on one of the online manuals, please fill out the request form and one of our experienced staff members will get back to you with a quote for the right part that your machine needs.

We sell worldwide for the brands: Genie, Terex, JLG, MultiQuip, Mikasa, Essick, Whiteman, Mayco, Toro Stone, Diamond Products, Generac Magnum, Airman, Haulotte, Barreto, Power Blanket, Nifty Lift, Atlas Copco, Chicago Pneumatic, Allmand, Miller Curber, Skyjack, Lull, Skytrak, Tsurumi, Husquvarna Target, Stow, Wacker, Sakai, Mi-T-M, Sullair, Basic, Dynapac, MBW, Weber, Bartell, Bennar Newman, Haulotte, Ditch Runner, Menegotti, Morrison, Contec, Buddy, Crown, Edco, Wyco, Bomag, Laymor, EZ Trench, Bil-Jax, F.S. Curtis, Gehl Pavers, Heli, Honda, ICS/PowerGrit, IHI, Partner, Imer, Clipper, MMD, Koshin, Rice, CH&E, General Equipment, Amida, Coleman, NAC, Gradall, Square Shooter, Kent, Stanley, Tamco, Toku, Hatz, Kohler, Robin, Wisconsin, Northrock, Oztec, Toker TK, Rol-Air, APT, Wylie, Ingersoll Rand / Doosan, Innovatech, Con X, Ammann, Mecalac, Makinex, Smith Surface Prep, Small Line, Wanco, Yanmar