



SPARE PARTS LIST

LIGHT COMPACTION

LP 9505, 967950801, 2021-09

Go to Discount-Equipment.com to order your parts



PARTS FINDER

**Search Website
by Part Number**



**Search Manual
Library For Parts
Manual & Lookup Part
Numbers – Purchase
or Request Quote**

Search Manuals

Enter your information to help us find the right parts manual for your machine.

* Brand:

* Model:

* Serial:

* Part Number:

SEARCH

**Can't Find Part or
Manual? Request Help
by Manufacturer,
Model & Description**

Parts Order Form

Please fill in the following information to help us find the right part for your machine.

Manufacturer:	<input type="text"/>
Model:	<input type="text"/>
Description:	<input type="text"/>
Part Number:	<input type="text"/>
Quantity:	<input type="text"/>
Notes:	<input type="text"/>
Submit	<input type="button" value="Submit"/>

Discount-Equipment.com is your online resource for quality parts & equipment.

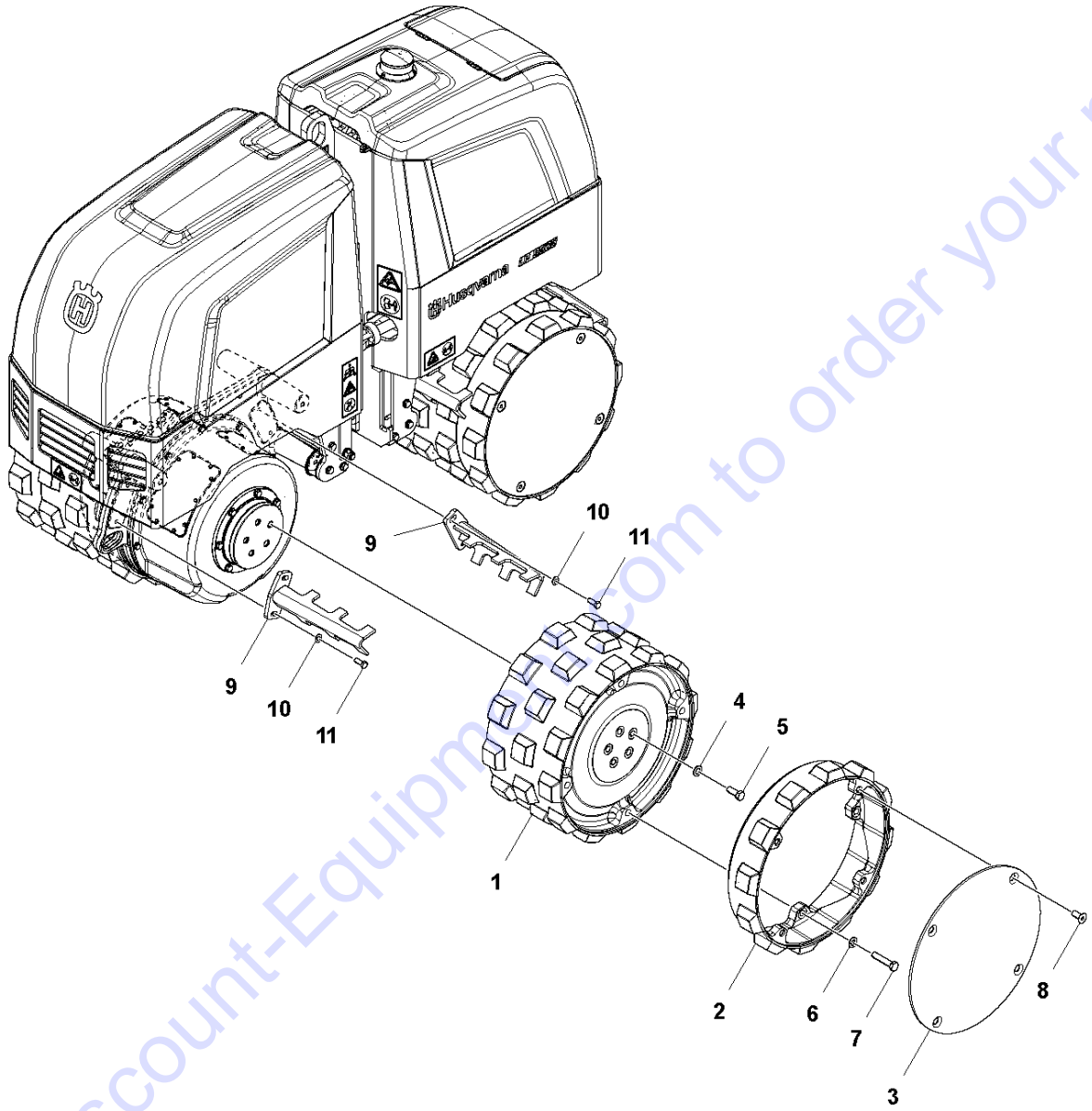
Florida: **561-964-4949** Outside Florida TOLL FREE: **877-690-3101**

Need parts?

Click on this link: <http://www.discount-equipment.com/category/5443-parts/> and choose one of the options to help get the right parts and equipment you are looking for. Please have the machine model and serial number available in order to help us get you the correct parts. If you don't find the part on the website or on one of the online manuals, please fill out the request form and one of our experienced staff members will get back to you with a quote for the right part that your machine needs.

We sell worldwide for the brands: Genie, Terex, JLG, MultiQuip, Mikasa, Essick, Whiteman, Mayco, Toro Stone, Diamond Products, Generac Magnum, Airman, Haulotte, Barreto, Power Blanket, Nifty Lift, Atlas Copco, Chicago Pneumatic, Allmand, Miller Curber, Skyjack, Lull, Skytrak, Tsurumi, Husquvarna Target, Stow, Wacker, Sakai, Mi-T-M, Sullair, Basic, Dynapac, MBW, Weber, Bartell, Bennar Newman, Haulotte, Ditch Runner, Menegotti, Morrison, Contec, Buddy, Crown, Edco, Wyco, Bomag, Laymor, EZ Trench, Bil-Jax, F.S. Curtis, Gehl Pavers, Heli, Honda, ICS/PowerGrit, IHI, Partner, Imer, Clipper, MMD, Koshin, Rice, CH&E, General Equipment, Amida, Coleman, NAC, Gradall, Square Shooter, Kent, Stanley, Tamco, Toku, Hatz, Kohler, Robin, Wisconsin, Northrock, Oztec, Toker TK, Rol-Air, APT, Wylie, Ingersoll Rand / Doosan, Innovatech, Con X, Ammann, Mecalac, Makinex, Smith Surface Prep, Small Line, Wanco, Yanmar

A LP9505
DRUMS & SCRAPERS



Go to Discount-Equipment.com to order your parts

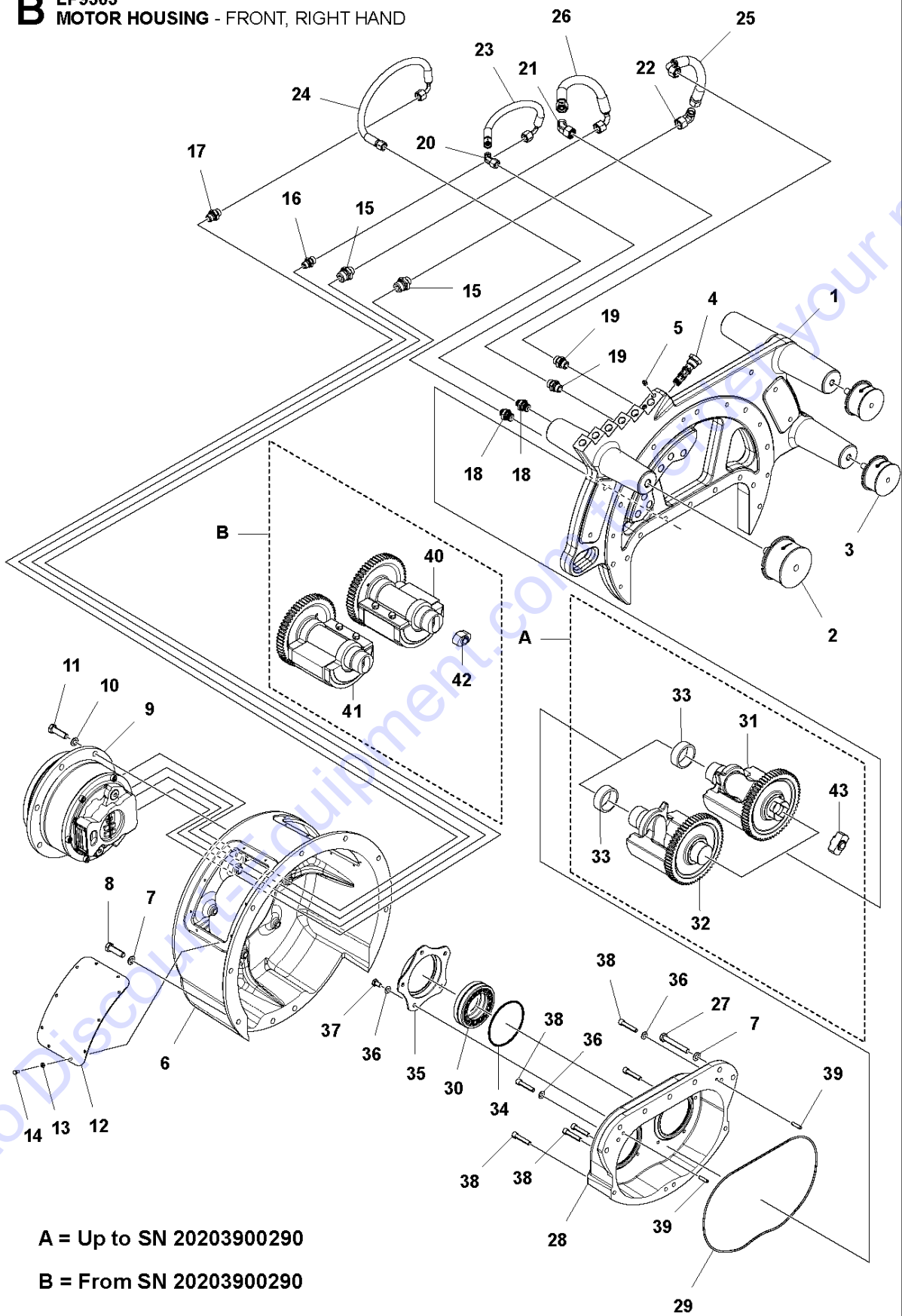
DRUMS & SCRAPERS

LP 9505, 967950801, 2021-09

Ref	Part No	Description	Remark	QTY KIT
1	596 36 33-01	DRUM	DRUM	4
2	596 36 34-01	DRUM	DRUM EXTENSION	4
3	596 37 91-01	DRUM	DRUM COVER	4
4	596 89 31-01	WASHER	WASHER Plain Ø17x30x3 HV300	20
5	596 88 97-03	SCREW	SCREW Hex. Head M6S M16x40 12.9 Geomet ISO4017	20
6	595 03 67-01	WASHER	WASHER	16
7	596 88 97-14	SCREW	SCREW Hex. Head M6S M16x75 8.8 fzb	16
8	596 89 12-02	SCREW	SCREW Countersunk Hex. Sock. MF6S M16x35	16
9	596 37 92-01	SCRAPER	SCRAPER 850 MM	8
10	595 11 34-01	WASHER	WASHER	16
11	594 11 90-01	BOLT	BOLT Hexagon Head M12X30 DIN933 8.8 FZB	16

Go to Discount-Equipment.com to order your parts

B LP9505
MOTOR HOUSING - FRONT, RIGHT HAND

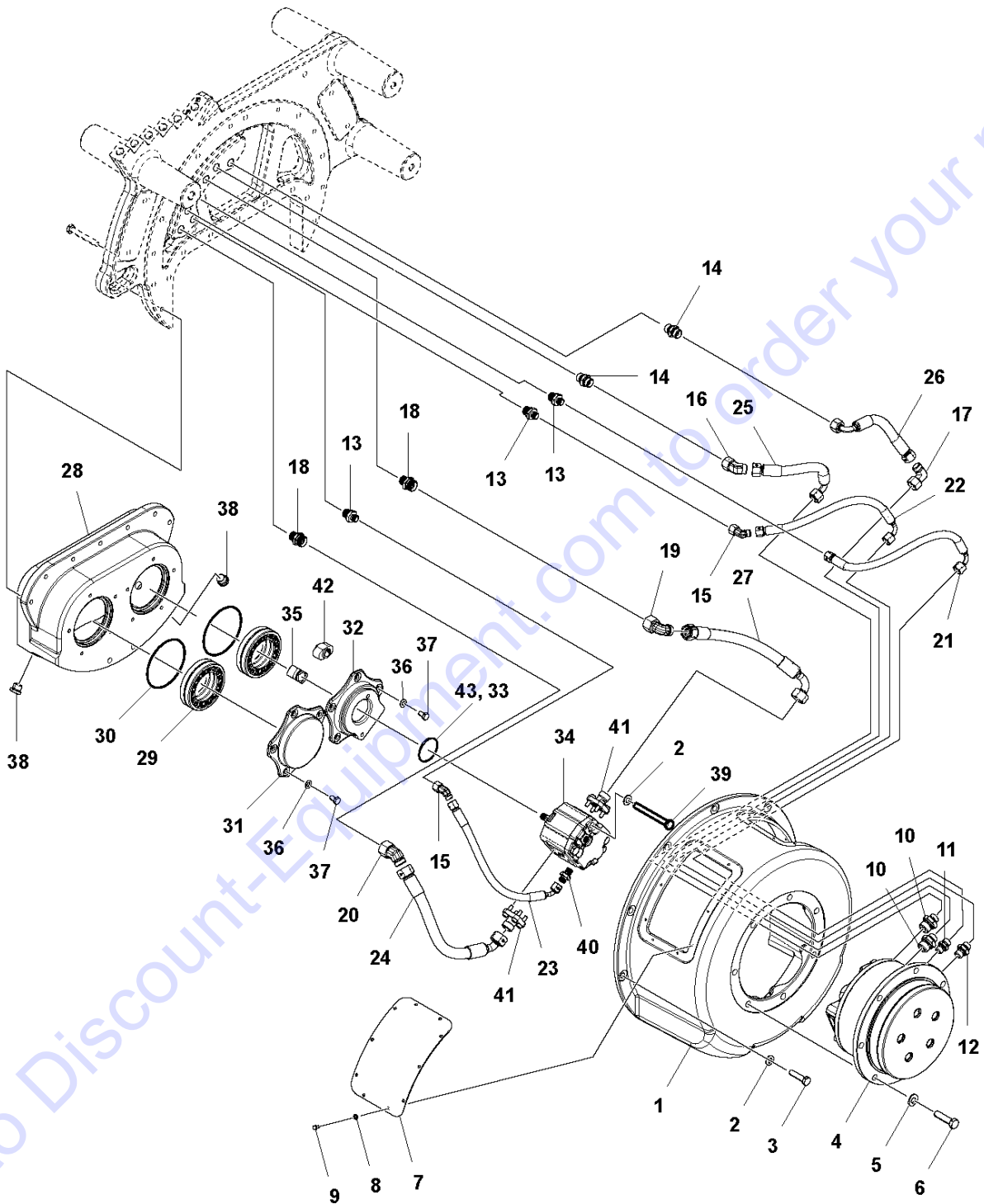


MOTOR HOUSING

LP 9505, 967950801, 2021-09

Ref	Part No	Description	Remark	QTY KIT
1	596 36 38-01	CROSS MEMBER	CROSS MEMBER	1
2	596 37 51-01	DAMPER	RUBBER DAMPER	2
3	596 37 52-01	DAMPER	RUBBER DAMPER	4
4	596 37 32-01	HYDRAULICS SYSTEM	HYDRAULICS SYSTEM Flow divider	1
5	596 37 33-01	PLUG	PLUG	2
6	596 36 39-01	BRACKET	MOTOR BRACKET	1
7	595 11 33-01	WASHER	WASHER	16
8	596 88 97-01	SCREW	SCREW Hex. Head M6S M10x40 12.9 Geomet ISO4017	9
9	597 44 74-01	HYDRAULIC MOTOR	HYDRAULIC MOTOR	1
10	595 11 34-01	WASHER	WASHER	7
11	596 88 97-02	SCREW	SCREW Hex. Head M6S M12x45 12.9 Geomet ISO4017	7
12	596 37 77-01	LID	SERVICE LID	2
13	594 12 38-01	PLANE WASHER	PLANE WASHER	20
14	597 44 75-01	SCREW	SCREW	20
15	596 88 93-09	NIPPLE	NIPPLE STRAIGHT M22x1.5 - M18x1.5	2
16	596 88 93-10	NIPPLE	NIPPLE STRAIGHT M14x1.5 - M16x1.5	1
17	596 88 93-11	NIPPLE	NIPPLE STRAIGHT M16x1.5 - M16x1.5	1
18	596 88 93-08	NIPPLE	NIPPLE STRAIGHT G3/8 - M14x1.5	2
19	595 97 54-01	FITTING	STRAIGHT FITTING G3/8 - M18x1.5	2
20	596 89 16-05	ELBOW	ELBOW SWIVEL 45° M14x1,5	1
21	596 89 16-08	ELBOW	ELBOW SWIVEL 45° M18x1,5	1
22	596 89 16-02	ELBOW	ELBOW SWIVEL 90° M18x1,5	1
23	596 36 98-01	HYDRAULIC HOSE	HYDRAULIC HOSE	1
24	596 36 99-01	HYDRAULIC HOSE	HYDRAULIC HOSE	1
25	596 37 00-01	HYDRAULIC HOSE	HYDRAULIC HOSE	1
26	596 37 01-01	HYDRAULIC HOSE	HYDRAULIC HOSE	1
27	596 88 97-10	SCREW	SCREW Hex. Head M6S M10x70 8.8 fzb	7
28	596 36 36-01	HOUSING	ECCENTRIC HOUSING	1
29	597 44 78-01	O-RING	O-RING	1
30	596 38 34-01	ROLLER BEARING	ROLLER BEARING Spherical roller bearing	2
31	597 54 25-02	EXCENTER	ECCENTRIC WEIGHTS with a keyway and gear cpl.	1
32	597 54 25-03	EXCENTER	ECCENTRIC WEIGHTS and gear cpl.	1
33	596 37 53-01	SPACER	SPACER	2
34	596 88 96-04	O-RING	O-RING Ø100x3	2
35	596 36 32-01	BEARING COVER	BEARING COVER	2
36	595 03 66-01	WASHER	WASHER	12
37	596 88 97-08	SCREW	SCREW Hex. Head M6S M8x14 8.8 fzb	10
38	596 88 97-20	SCREW	SCREW Hex. Sock. MC6S M8x40 8.8 fzb	6
39	595 02 99-01	PIN	PIN PARALLELL	2
40	599 40 72-01	SHAFT ASSY	From SN20203900290	1
41	599 40 72-02	SHAFT ASSY	From SN 20203900290	1
42	599 33 93-01	COUPLING	From SN 20203900290	1
43	596 37 54-01	COUPLING	Up to SN 20203900290	1

C LP9505
MOTOR HOUSING - FRONT, LEFT HAND



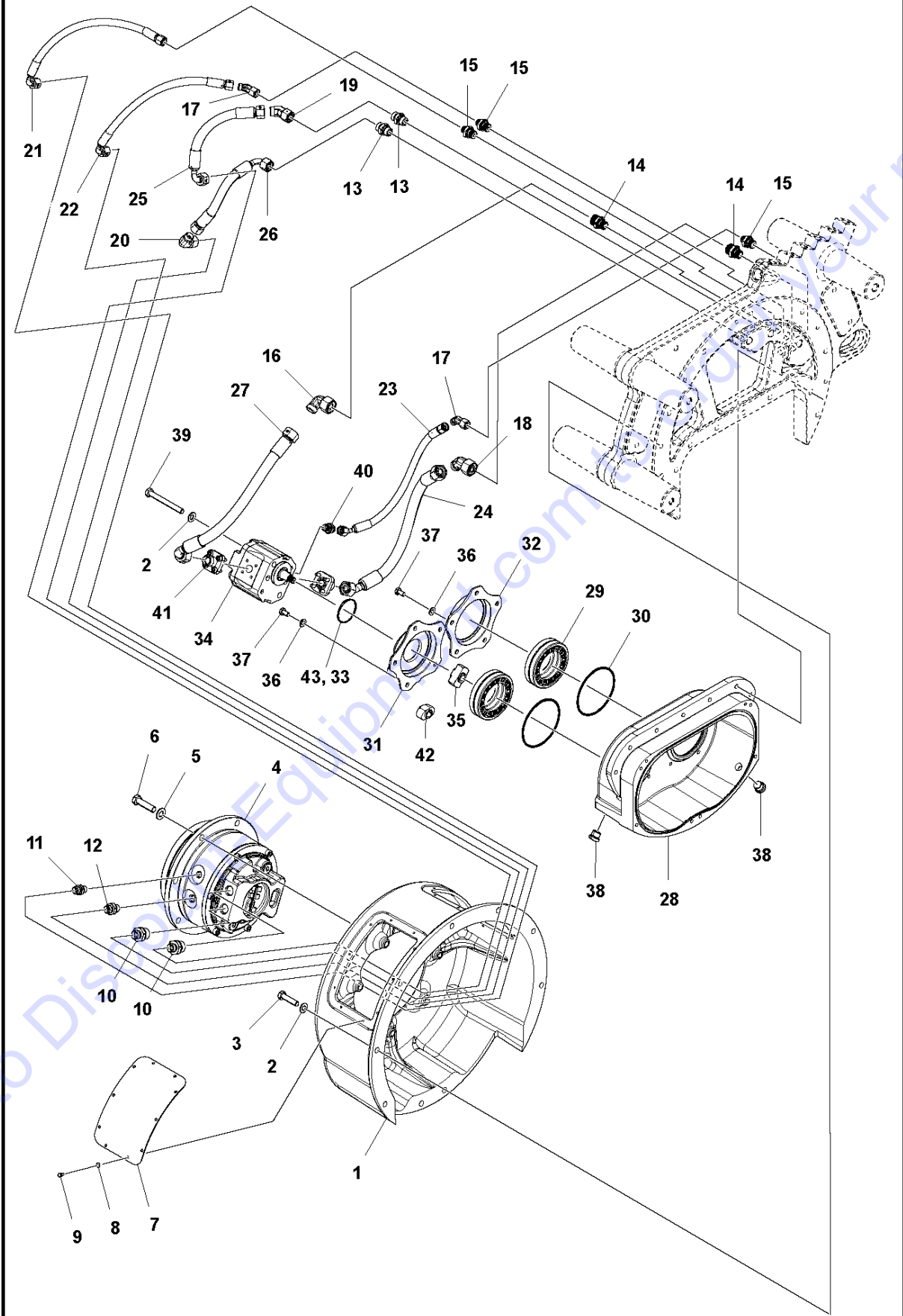
Go to Discount-Equipment.com to order your parts

MOTOR HOUSING

LP 9505, 967950801, 2021-09

Ref	Part No	Description	Remark	QTY KIT
1	596 36 39-01	BRACKET	MOTOR BRACKET	1
2	595 11 33-01	WASHER	WASHER	11
3	596 88 97-01	SCREW	SCREW Hex. Head M6S M10x40 12.9 Geomet ISO4017	9
4	597 44 74-01	HYDRAULIC MOTOR	HYDRAULIC MOTOR	1
5	595 11 34-01	WASHER	WASHER	7
6	596 88 97-02	SCREW	SCREW Hex. Head M6S M12x45 12.9 Geomet ISO4017	7
7	596 37 77-01	LID	SERVICE LID	2
8	594 12 38-01	PLANE WASHER	PLANE WASHER	20
9	597 44 75-01	SCREW	SCREW	20
10	596 88 93-09	NIPPLE	NIPPLE STRAIGHT M22x1.5 - M18x1.5	2
11	596 88 93-10	NIPPLE	NIPPLE STRAIGHT M14x1.5 - M16x1.5	1
12	596 88 93-11	NIPPLE	NIPPLE STRAIGHT M16x1.5 - M16x1.5	1
13	596 88 93-08	NIPPLE	NIPPLE STRAIGHT G3/8 - M14x1.5	3
14	595 97 54-01	FITTING	STRAIGHT FITTING G3/8 - M18x1.5	2
15	596 89 16-05	ELBOW	ELBOW SWIVEL 45° M14x1,5	2
16	596 89 16-08	ELBOW	ELBOW SWIVEL 45° M18x1,5	1
17	596 89 16-02	ELBOW	ELBOW SWIVEL 90° M18x1,5	1
18	596 88 93-05	NIPPLE	NIPPLE STRAIGHT G3/8 - M22x1.5	2
19	596 89 16-03	ELBOW	ELBOW SWIVEL 90° M22x1,5	1
20	596 89 16-06	ELBOW	ELBOW SWIVEL 45° M22x1,5	1
21	596 36 95-01	HYDRAULIC HOSE	HYDRAULIC HOSE	1
22	596 36 96-01	HYDRAULIC HOSE	HYDRAULIC HOSE	1
23	596 36 97-01	HYDRAULIC HOSE	HYDRAULIC HOSE	1
24	596 37 04-01	HYDRAULIC HOSE	HYDRAULIC HOSE	1
25	596 37 02-01	HYDRAULIC HOSE	HYDRAULIC HOSE	1
26	596 37 03-01	HYDRAULIC HOSE	HYDRAULIC HOSE	1
27	596 37 05-01	HYDRAULIC HOSE	HYDRAULIC HOSE	1
28	596 36 35-01	HOUSING	ECCENTRIC HOUSING	1
29	596 38 34-01	ROLLER BEARING	ROLLER BEARING Spherical roller bearing	2
30	596 88 96-04	O-RING	O-RING Ø100x3	2
31	596 36 32-01	BEARING COVER	BEARING COVER	1
32	596 36 37-01	BEARING COVER	BEARING COVER	1
33	596 88 96-02	O-RING	O-RING Ø48x2,5	1
34	596 37 34-01	MOTOR	MOTOR	1
35	596 37 54-01	COUPLING	Up to SN 20203900290	1
36	595 03 66-01	WASHER	WASHER	10
37	596 88 97-08	SCREW	SCREW Hex. Head M6S M8x14 8.8 fzb	10
38	595 04 33-01	PLUG	PLUG HEX SOCK	2
39	535 51 42-01	SCREW	SCREW Hex. Head M6S M10x90 10.9 Geomet	2
40	596 88 93-01	NIPPLE	NIPPLE STRAIGHT G1/4 - M14x1.5	1
41	596 36 92-01	FITTING	FITTING Flange fitting	2
42	599 33 93-01	COUPLING	From SN 20203900290	1
43	595 11 80-01	O-RING	Φ48x2, from SN 20210400001 to SN 20210400010	1

D LP9505
MOTOR HOUSING - REAR, RIGHT HAND



MOTOR HOUSING

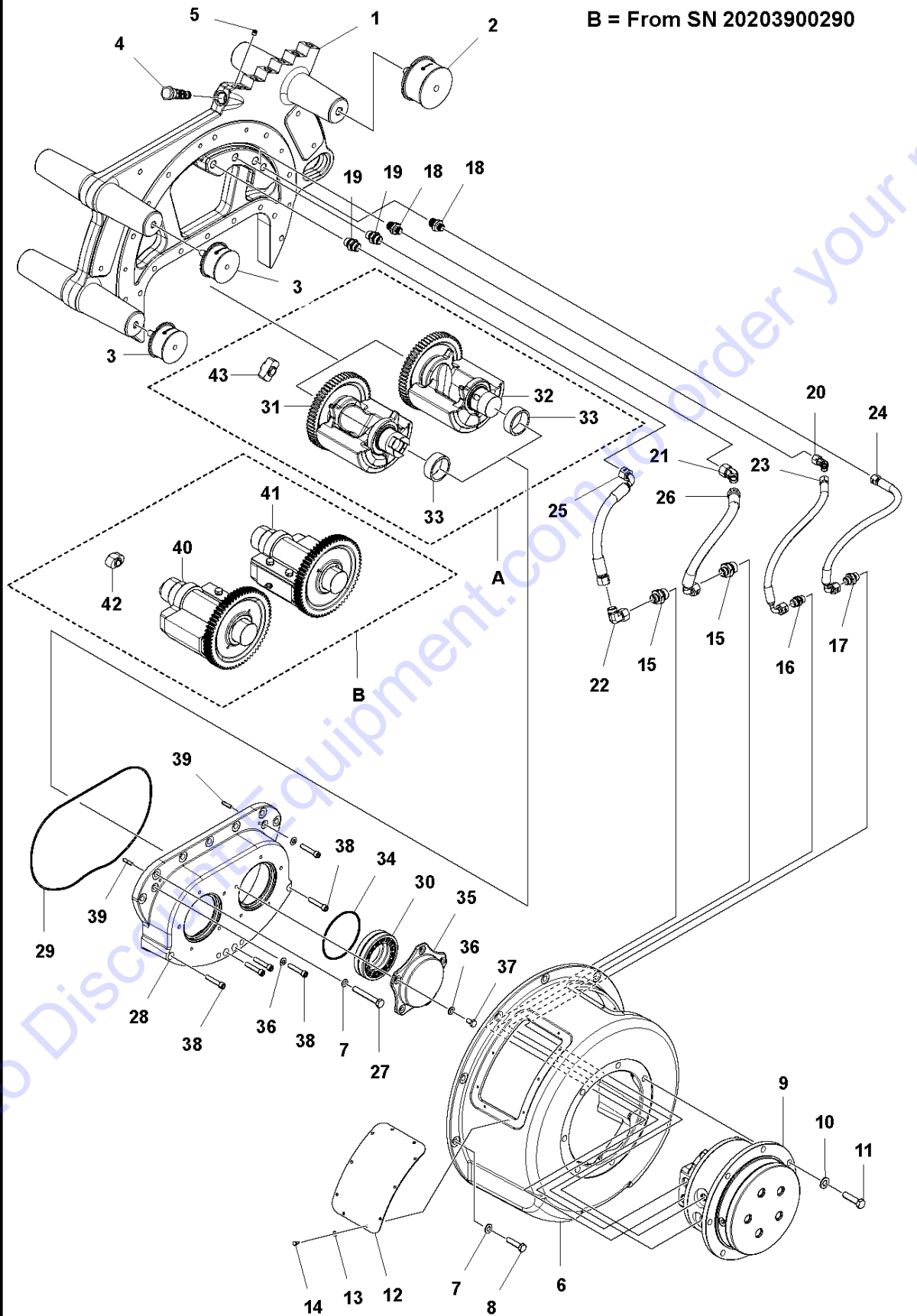
LP 9505, 967950801, 2021-09

Ref	Part No	Description	Remark	QTY KIT
1	596 36 39-01	BRACKET	MOTOR BRACKET	1
2	595 11 33-01	WASHER	WASHER	11
3	596 88 97-01	SCREW	SCREW Hex. Head M6S M10x40 12.9 Geomet ISO4017	9
4	597 44 74-01	HYDRAULIC MOTOR	HYDRAULIC MOTOR	1
5	595 11 34-01	WASHER	WASHER	7
6	596 88 97-02	SCREW	SCREW Hex. Head M6S M12x45 12.9 Geomet ISO4017	7
7	596 37 77-01	LID	SERVICE LID	2
8	594 12 38-01	PLANE WASHER	PLANE WASHER	20
9	597 44 75-01	SCREW	SCREW	20
10	596 88 93-09	NIPPLE	NIPPLE STRAIGHT M22x1.5 - M18x1.5	2
11	596 88 93-10	NIPPLE	NIPPLE STRAIGHT M14x1.5 - M16x1.5	1
12	596 88 93-11	NIPPLE	NIPPLE STRAIGHT M16x1.5 - M16x1.5	1
15	596 88 93-08	NIPPLE	NIPPLE STRAIGHT G3/8 - M14x1.5	3
13	595 97 54-01	FITTING	STRAIGHT FITTING G3/8 - M18x1.5	2
17	596 89 16-05	ELBOW	ELBOW SWIVEL 45° M14x1,5	2
19	596 89 16-08	ELBOW	ELBOW SWIVEL 45° M18x1,5	1
20	596 89 16-02	ELBOW	ELBOW SWIVEL 90° M18x1,5	1
14	596 88 93-05	NIPPLE	NIPPLE STRAIGHT G3/8 - M22x1.5	2
16	596 89 16-03	ELBOW	ELBOW SWIVEL 90° M22x1,5	1
18	596 89 16-06	ELBOW	ELBOW SWIVEL 45° M22x1,5	1
21	596 36 95-01	HYDRAULIC HOSE	HYDRAULIC HOSE	1
22	596 36 96-01	HYDRAULIC HOSE	HYDRAULIC HOSE	1
23	596 36 97-01	HYDRAULIC HOSE	HYDRAULIC HOSE	1
24	596 37 04-01	HYDRAULIC HOSE	HYDRAULIC HOSE	1
25	596 37 02-01	HYDRAULIC HOSE	HYDRAULIC HOSE	1
26	596 37 03-01	HYDRAULIC HOSE	HYDRAULIC HOSE	1
27	596 37 05-01	HYDRAULIC HOSE	HYDRAULIC HOSE	1
28	596 36 35-01	HOUSING	ECCENTRIC HOUSING	1
29	596 38 34-01	ROLLER BEARING	ROLLER BEARING Spherical roller bearing	2
30	596 88 96-04	O-RING	O-RING Ø100x3	2
32	596 36 32-01	BEARING COVER	BEARING COVER	1
31	596 36 37-01	BEARING COVER	BEARING COVER	1
33	596 88 96-02	O-RING	O-RING Ø48x2,5	1
34	596 37 34-01	MOTOR	MOTOR	1
35	596 37 54-01	COUPLING	Up to SN202039000290	1
36	595 03 66-01	WASHER	WASHER	10
37	596 88 97-08	SCREW	SCREW Hex. Head M6S M8x14 8.8 fzb	10
38	595 04 33-01	PLUG	PLUG HEX SOCK	2
39	535 51 42-01	SCREW	SCREW Hex. Head M6S M10x90 10.9 Geomet	2
40	596 88 93-01	NIPPLE	NIPPLE STRAIGHT G1/4 - M14x1.5	1
41	596 36 92-01	FITTING	FITTING Flange fitting	2
42	599 33 93-01	COUPLING	From SN 202039000290	1
43	595 11 80-01	O-RING	Φ48x2, from SN 20210400001 to SN 20210400010	1

E LP9505
MOTOR HOUSING - REAR, LEFT HAND

A = Up to SN 20203900290

B = From SN 20203900290

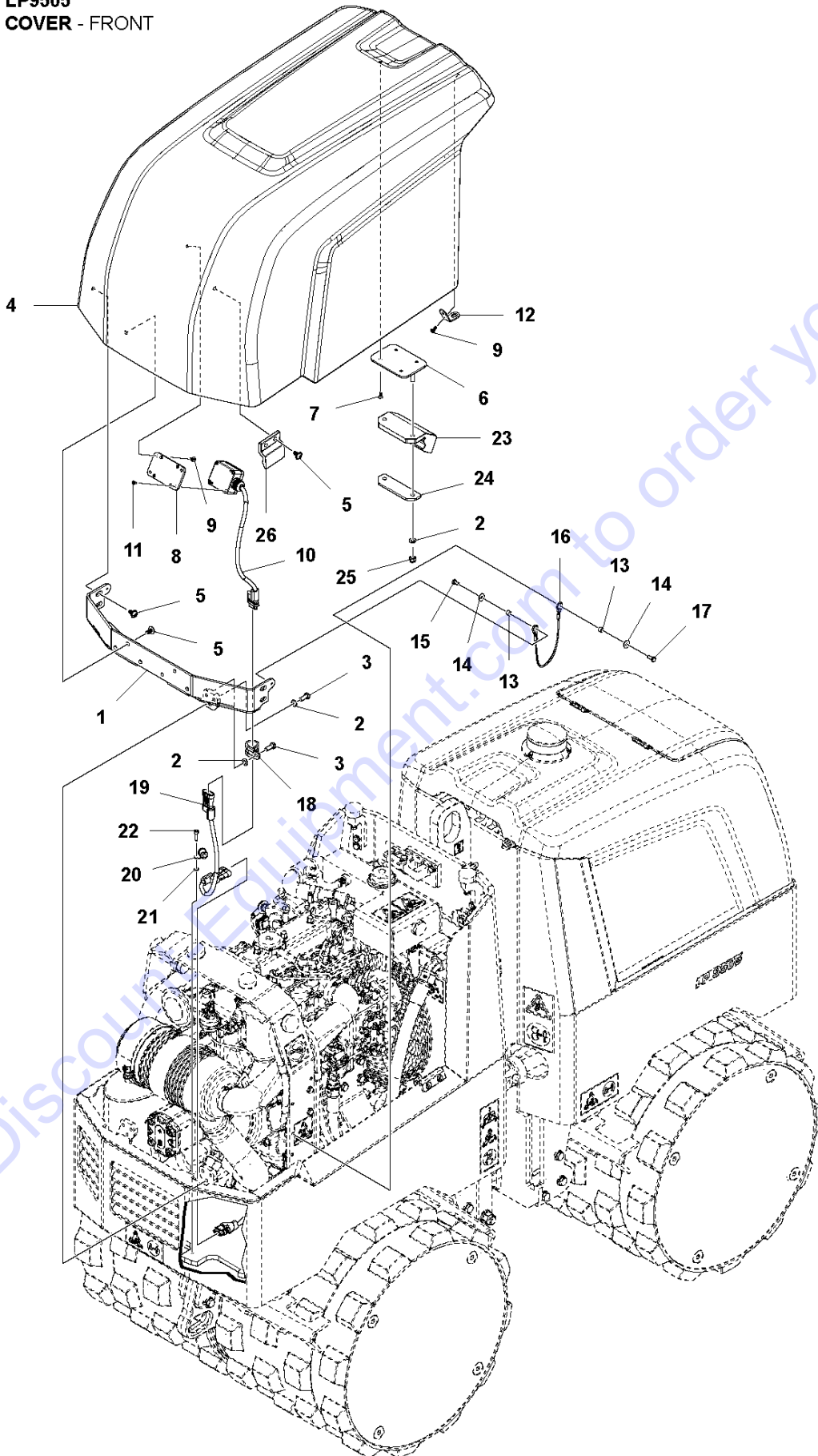


MOTOR HOUSING

LP 9505, 967950801, 2021-09

Ref	Part No	Description	Remark	QTY KIT
1	596 36 38-01	CROSS MEMBER	CROSS MEMBER	1
2	596 37 51-01	DAMPER	RUBBER DAMPER	2
3	596 37 52-01	DAMPER	RUBBER DAMPER	4
4	596 37 32-01	HYDRAULICS SYSTEM	HYDRAULICS SYSTEM Flow divider	1
5	596 37 33-01	PLUG	PLUG	2
6	596 36 39-01	BRACKET	MOTOR BRACKET	1
7	595 11 33-01	WASHER	WASHER	16
8	596 88 97-01	SCREW	SCREW Hex. Head M6S M10x40 12.9 Geomet ISO4017	9
9	597 44 74-01	HYDRAULIC MOTOR	HYDRAULIC MOTOR	1
10	595 11 34-01	WASHER	WASHER	7
11	596 88 97-02	SCREW	SCREW Hex. Head M6S M12x45 12.9 Geomet ISO4017	7
12	596 37 77-01	LID	SERVICE LID	2
13	594 12 38-01	PLANE WASHER	PLANE WASHER	20
14	597 44 75-01	SCREW	SCREW	20
15	596 88 93-09	NIPPLE	NIPPLE STRAIGHT M22x1.5 - M18x1.5	2
16	596 88 93-10	NIPPLE	NIPPLE STRAIGHT M14x1.5 - M16x1.5	1
17	596 88 93-11	NIPPLE	NIPPLE STRAIGHT M16x1.5 - M16x1.5	1
18	596 88 93-08	NIPPLE	NIPPLE STRAIGHT G3/8 - M14x1.5	2
19	595 97 54-01	FITTING	STRAIGHT FITTING G3/8 - M18x1.5	2
20	596 89 16-05	ELBOW	ELBOW SWIVEL 45° M14x1,5	1
21	596 89 16-08	ELBOW	ELBOW SWIVEL 45° M18x1,5	1
22	596 89 16-02	ELBOW	ELBOW SWIVEL 90° M18x1,5	1
23	596 36 98-01	HYDRAULIC HOSE	HYDRAULIC HOSE	1
24	596 36 99-01	HYDRAULIC HOSE	HYDRAULIC HOSE	1
25	596 37 00-01	HYDRAULIC HOSE	HYDRAULIC HOSE	1
26	596 37 01-01	HYDRAULIC HOSE	HYDRAULIC HOSE	1
27	596 88 97-10	SCREW	SCREW Hex. Head M6S M10x70 8.8 fzb	7
28	596 36 36-01	HOUSING	ECCENTRIC HOUSING	1
29	597 44 78-01	O-RING	O-RING	1
30	596 38 34-01	ROLLER BEARING	ROLLER BEARING Spherical roller bearing	2
31	597 54 25-02	EXCENTER	ECCENTRIC WEIGHTS with a keyway and gear cpl.	1
32	597 54 25-03	EXCENTER	ECCENTRIC WEIGHTS and gear cpl.	1
33	596 37 53-01	SPACER	SPACER	2
34	596 88 96-04	O-RING	O-RING Ø100x3	2
35	596 36 32-01	BEARING COVER	BEARING COVER	2
36	595 03 66-01	WASHER	WASHER	12
37	596 88 97-08	SCREW	SCREW Hex. Head M6S M8x14 8.8 fzb	10
38	596 88 97-20	SCREW	SCREW Hex. Sock. MC6S M8x40 8.8 fzb	6
39	595 02 99-01	PIN	PIN PARALLELL	2
40	599 40 72-01	SHAFT ASSY	From SN20203900290	1
41	599 40 72-02	SHAFT ASSY	From SN20203900290	1
42	599 33 93-01	COUPLING	From SN 20203900290	1
43	596 37 54-01	COUPLING	Up to SN 20203900290	1

F LP9505
COVER - FRONT

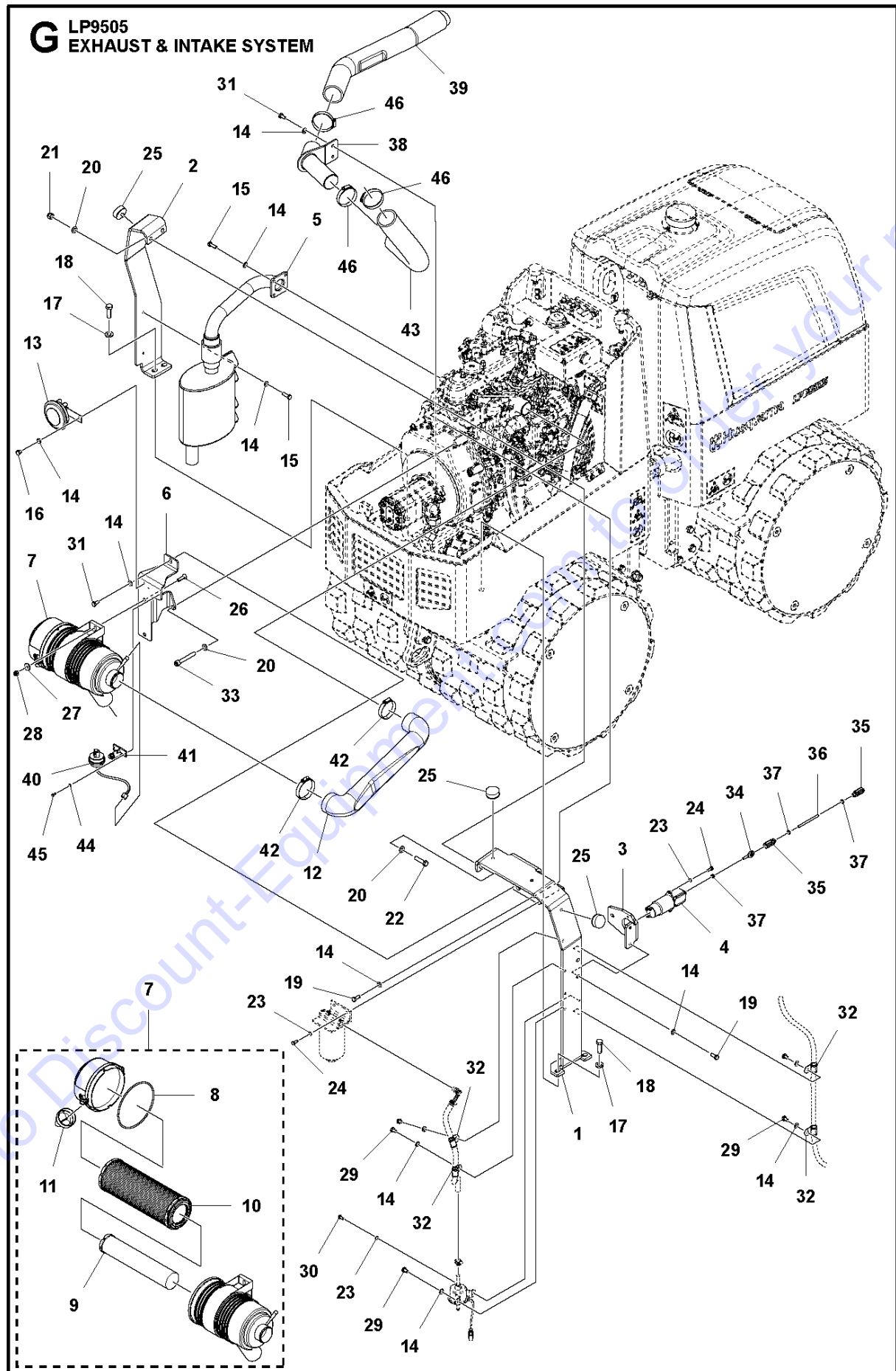


COVER

LP 9505, 967950801, 2021-09

Ref	Part No	Description	Remark	QTY KIT
1	596 38 04-01	SUPPORT	SUPPORT Hood support	1
2	595 03 66-01	WASHER	WASHER	8
3	594 11 79-01	SCREW	SCREW	6
4	595 91 62-01	HOOD	HOOD Front hood	1
5	596 38 42-01	SCREW	THREAD FORMING SCREW	14
6	596 38 17-01	BRACKET	BRACKET Latch bracket	1
7	596 38 43-01	SCREW	THREAD FORMING SCREW	4
8	596 37 69-01	BRACKET	BRACKET Sensor bracket	1
9	596 38 41-01	SCREW	THREAD FORMING SCREW	6
10	596 36 65-01	SENSOR	SENSOR Front MDS	1
11	596 69 51-29	SCREW	SCREW HEX. SOCK. SCREW	4
12	596 38 00-01	LOOP	LOOP Padlock loop	1
13	596 37 60-01	SLEEVE	SLEEVE Distance Sleeve	2
14	595 03 64-01	WASHER	WASHER	2
15	595 34 42-01	SCREW	SCREW	1
16	596 37 44-01	WIRE	WIRE Hood wire	1
17	595 03 32-01	SCREW	SCREW	1
18	595 11 47-01	CLAMP	PIPE CLAMP COVERED	1
19	596 36 69-01	CABLE	CABLE OPS connection cable	1
20	596 89 13-02	PIPE CLAMP	PIPE CLAMP Covered Ø10, M6	1
21	595 03 65-01	PLANE WASHER	WASHER Plain	1
22	595 34 80-01	SCREW	SCREW HEX SOCK	1
23	596 37 64-01	GRIP	GRIP Rubber grip	1
24	596 38 16-01	BRACKET	BRACKET	1
25	595 35 23-01	NUT	NUT LOCK	2
26	596 37 65-01	SUPPORT	SUPPORT Hood support	2

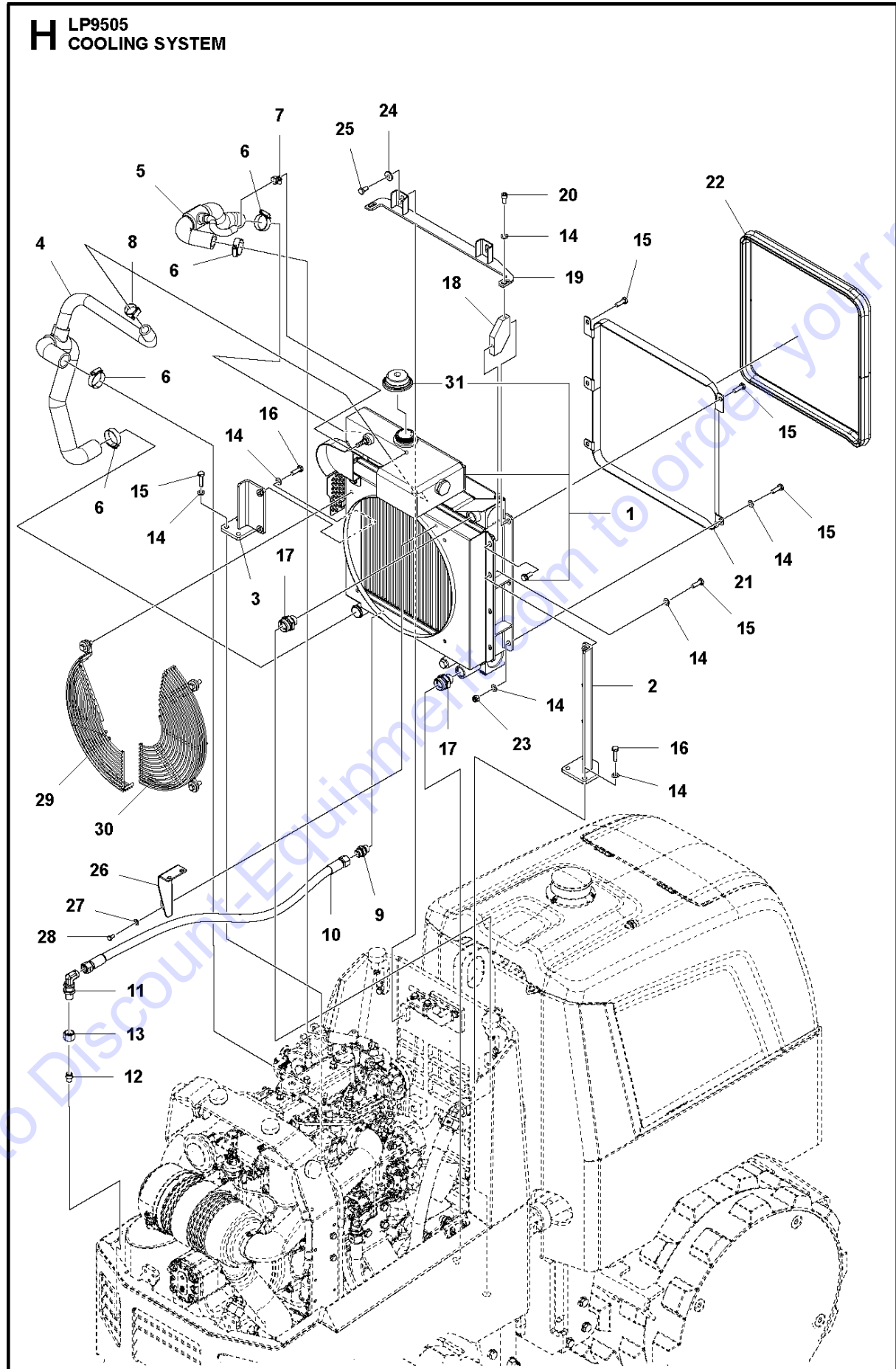
Go to Discount-Equipment.com to order your parts



EXHAUST & INTAKE SYSTEM

LP 9505, 967950801, 2021-09

Ref	Part No	Description	Remark	QTY KIT
1	596 38 11-01	BRACKET	BRACKET Main front bracket	1
2	596 38 07-01	BRACKET	BRACKET Main front bracket	1
3	596 88 63-01	BRACKET	BRACKET Solenoid	1
4	596 36 62-01	THROTTLE	THROTTLE Throttle solenoid	1
5	596 37 50-01	EXHAUST	EXHAUST Exhaust system	1
6	596 38 08-01	BRACKET	BRACKET Air filter bracket	1
7	596 88 65-01	AIR FILTER	AIR FILTER	1
8	597 44 78-02	O-RING	O-RING	1 7
9	597 44 94-01	UNIT	SAFETY ELEMENT	1 7
10	597 44 94-02	UNIT	MAIN ELEMENT	1 7
11	597 44 81-01	CAP	VACUATOR CAP	1 7
12	596 88 57-01	INLET PIPE	INLET PIPE	1
13	595 19 37-01	HORN	HORN	1
14	595 03 66-01	WASHER	WASHER	19
15	595 03 34-01	SCREW	SCREW	6
16	596 88 97-06	SCREW	SCREW Hex. Head M6S M8x10 8.8 fzb	1
17	595 11 30-01	WASHER	WASHER	4
18	595 11 03-01	SCREW	SCREW	4
19	594 11 79-01	SCREW	SCREW	4
20	595 11 33-01	WASHER	WASHER	6
21	594 12 31-01	LOCK NUT	LOCK NUT M10	2
22	594 11 86-01	SCREW	HEX. HEAD SCREW	2
23	595 03 65-01	PLANE WASHER	WASHER Plain	5
24	595 03 32-01	SCREW	SCREW	4
25	596 38 32-01	DAMPER	DAMPER Rubber damper	4
26	596 89 12-01	SCREW	SCREW Countersunk Hex. Sock. MF6S M8x30	2
27	594 12 34-01	WASHER	WASHER 8.4 X2 2 X 3 MM	2
28	595 35 23-01	NUT	NUT LOCK	2
29	596 88 97-07	SCREW	SCREW Hex. Head M6S M8x12 8.8 fzb	5
30	595 34 42-01	SCREW	SCREW	1
31	595 11 01-01	SCREW	SCREW	3
32	594 12 53-01	PIPE CLAMP	PIPE CLAMP	4
33	596 88 97-23	SCREW	SCREW Hex. Sock. Fine Pitch MC6 SM10x1.25x70	2
34	596 38 49-01	ROD	ROD Rod eye	1
35	596 38 50-01	ROD	ROD Rod clevis	2
36	596 37 42-01	ROD	ROD Threaded rod	1
37	595 28 75-01	HEXAGON NUT	HEXAGON NUT	3
38	596 37 67-01	ATTACHMENT	ATTACHMENT Tube attachment	1
39	596 37 47-01	INLET PIPE	INLET PIPE	1
40	596 88 66-01	SENSOR	SENSOR Air filter	1
41	597 44 82-01	BRACKET	BRACKET REMOTE MOUNT	1
42	596 89 14-04	HOSE CLAMP	HOSE CLAMP Ø40-60	2
43	596 37 48-01	INLET PIPE	INLET PIPE	1
44	595 11 32-01	WASHER	WASHER	2
45	596 88 97-04	SCREW	SCREW Hex. Head M6S M4x12 8.8 fzb	2
46	595 45 50-01	CLAMP	HOSE CLAMP, D51-65 MM W. SCREW	3



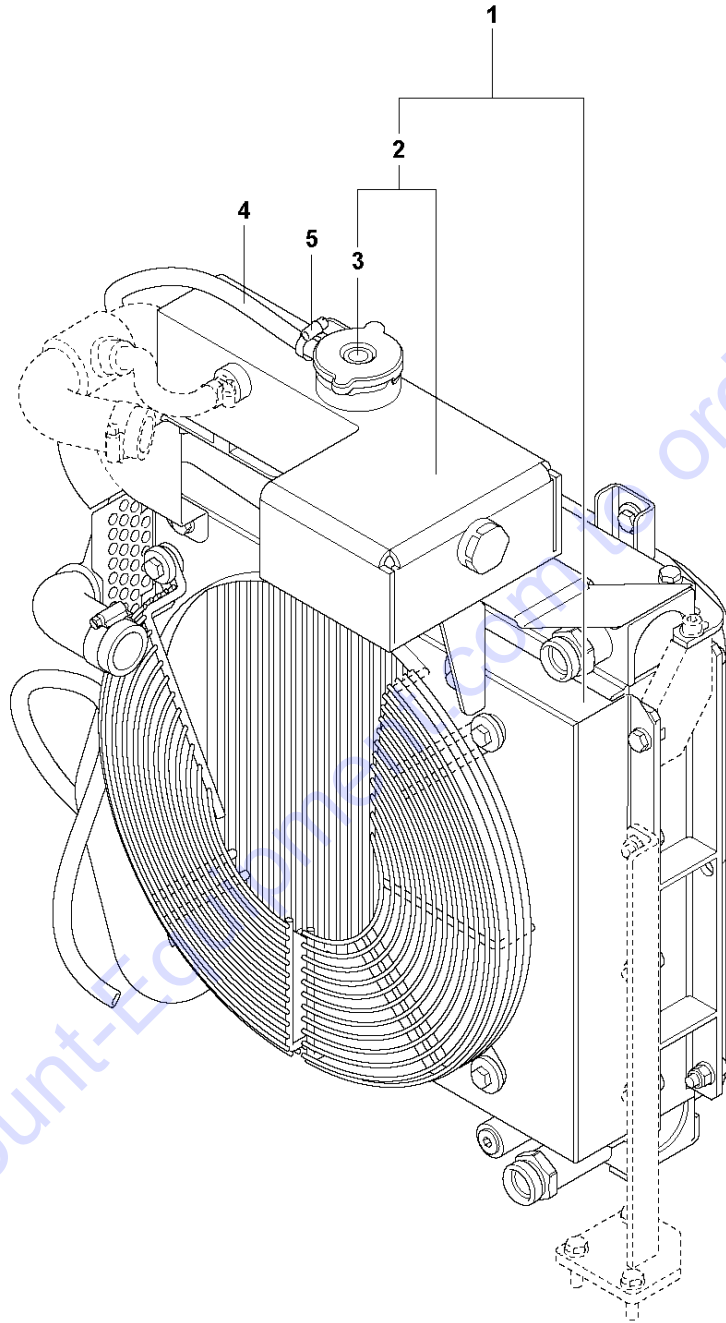
COOLING SYSTEM

LP 9505, 967950801, 2021-09

Ref	Part No	Description	Remark	QTY KIT
1	597 33 91-01	COOLER	COOLER ASSY, Up to SN 20210500646	1
2	596 37 74-01	BRACKET	BRACKET Cooler bracket LHS	1
3	596 37 73-01	BRACKET	BRACKET Cooler bracket RHS	1
4	596 36 42-01	HOSE	HOSE Cooler hose	1
5	596 36 43-01	HOSE	HOSE Cooler hose	1
6	596 89 14-03	HOSE CLAMP	HOSE CLAMP Ø32-44	4
7	596 89 14-01	HOSE CLAMP	HOSE CLAMP Ø12.7-16	1
8	596 89 14-02	HOSE CLAMP	HOSE CLAMP Ø25-32	1
9	595 97 54-01	FITTING	FITTING	1
10	596 37 31-01	HOSE	HOSE Water drain hose	1
11	596 89 36-01	UNIT	UNIT Bulk Head Union M18x1.5	1
12	596 88 90-01	PLUG	PLUG Ø12	1
13	596 88 91-01	NUT	NUT M18x1,5	1
14	595 03 66-01	WASHER	WASHER	19
15	595 03 34-01	SCREW	SCREW	10
16	595 34 43-01	SCREW	SCREW	6
17	596 88 93-07	NIPPLE	NIPPLE STRAIGHT UNF 7/8-14 - M30x2	2
18	596 38 14-01	BRACKET	BRACKET	2
19	596 37 80-01	BRACKET	BRACKET Cooler Bracket	1
20	595 03 44-01	SCREW	SCREW M8X16	2
21	596 37 72-01	BRACKET	BRACKET Rubber Strip Bracket	1
22	596 38 29-01	STRIP	RUBBER STRIP Rubber Strip	1
23	595 35 23-01	NUT	NUT LOCK	3
24	594 12 34-01	WASHER	WASHER 8.4 X2 2 X 3 MM	2
25	595 11 01-01	SCREW	SCREW	2
26	596 37 86-01	BRACKET	BRACKET	1
27	595 03 65-01	PLANE WASHER	WASHER Plain	1
28	595 34 42-01	SCREW	SCREW	1
29	596 36 47-01	GUARD	GUARD Fan guard RHS	1
30	596 36 48-01	GUARD	GUARD Fan guard LHS	1
31	596 36 44-01	CAP	Up to SN 20210500646	1

Go to Discount-Equipment.com to order your parts

LP9505
COOLER - From SN20210500647



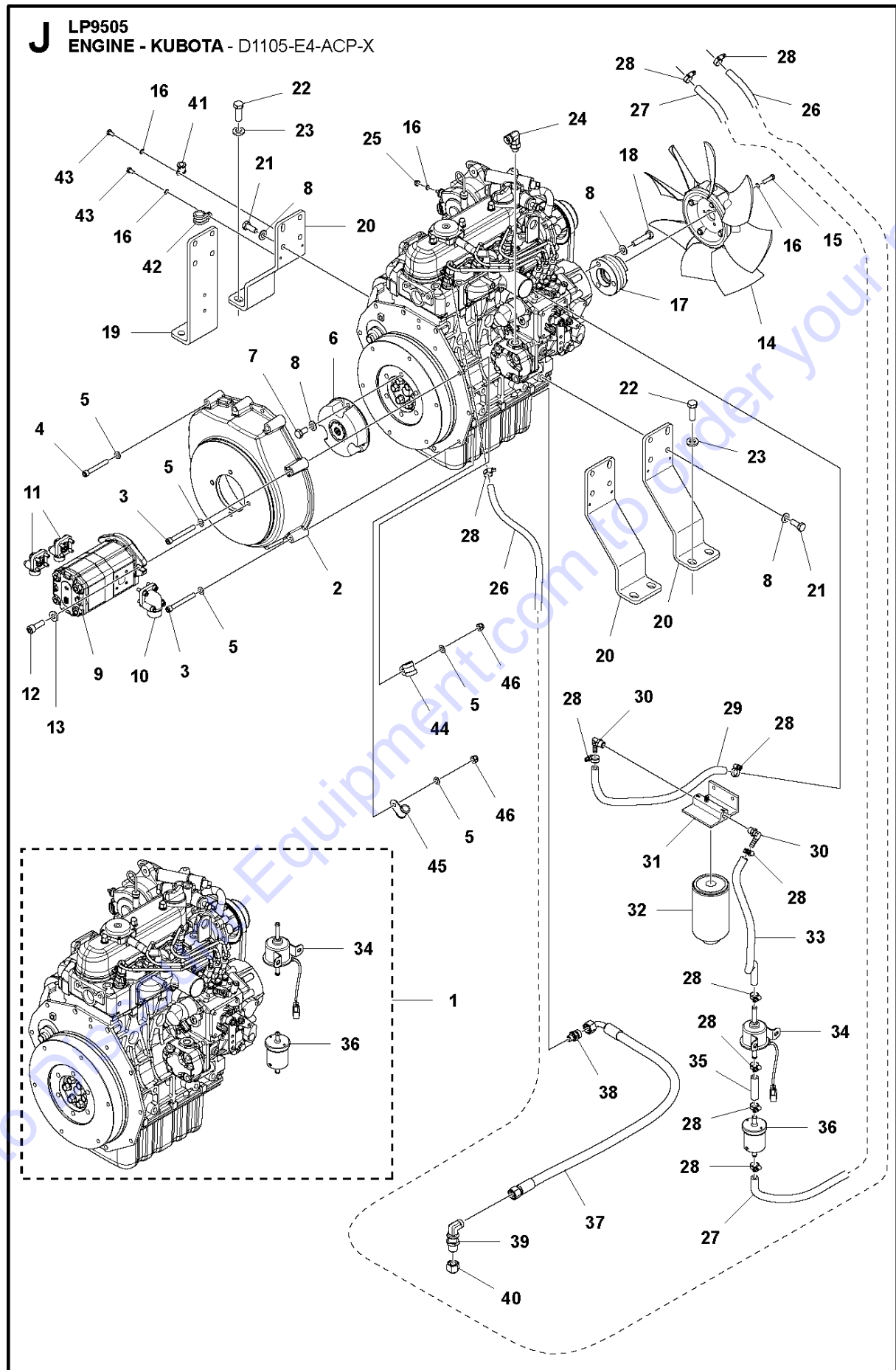
Go to Discount-ECM.com to order your parts

COOLER

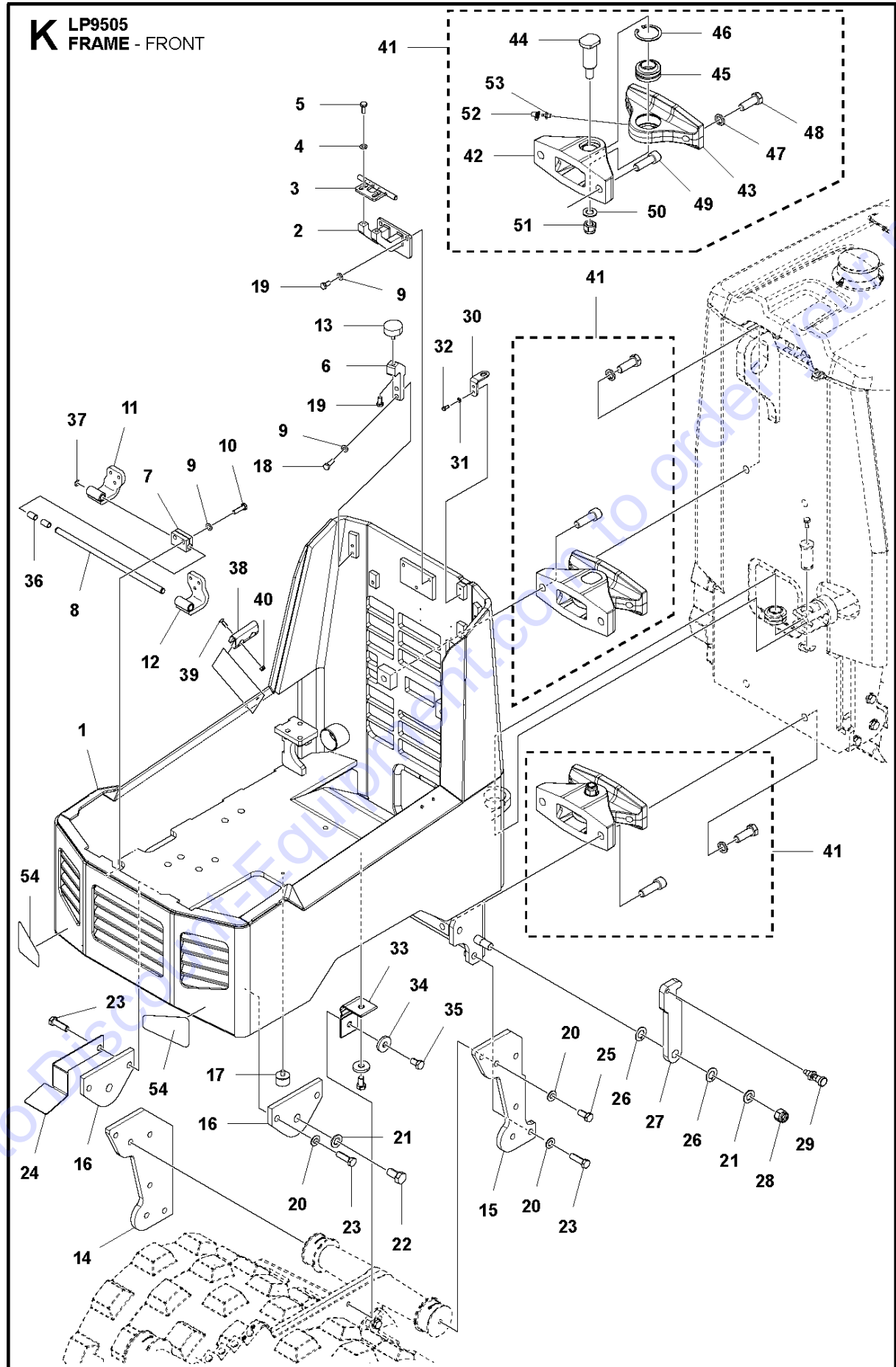
LP 9505, 967950801, 2021-09

Ref	Part No	Description	Remark	QTY	KIT
1	596 36 46-01	COOLER		1	
2	535 52 83-01	EXPANSION TANK		1	1
3	596 36 44-02	CAP		1	1, 2
4	596 38 35-03	BREATHER		1	
5	595 45 46-01	CLAMP		1	

Go to Discount-Equipment.com to order your parts



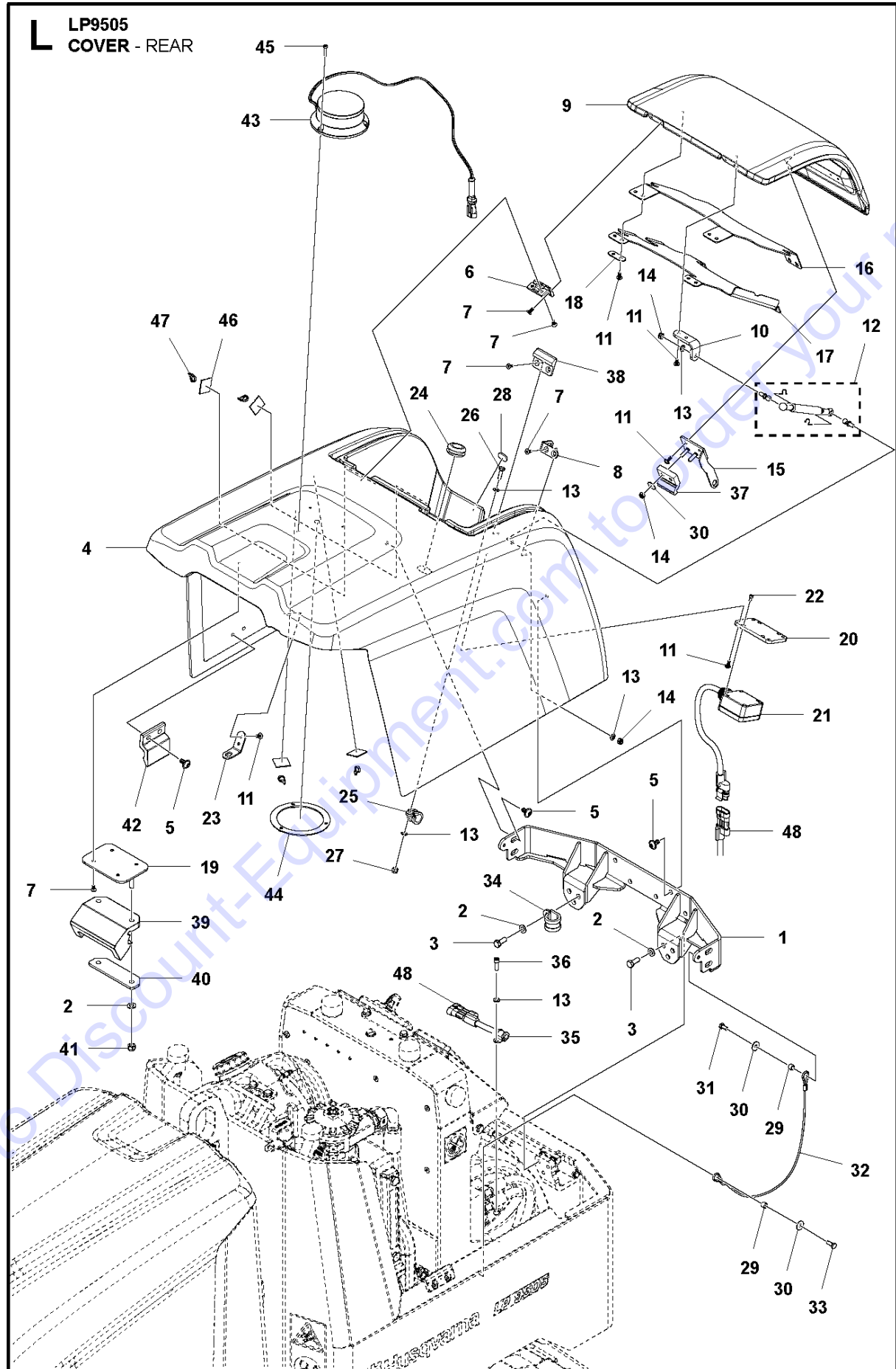
Ref	Part No	Description	Remark	QTY KIT
1	596 38 47-01	ENGINE	ENGINE Diesel engine Kubota D1105-E4-ACP-X	1
2	596 36 50-01	HOUSING	HOUSING Flywheel housing	1
3	596 88 97-21	SCREW	SCREW Hex. Sock. MC6S M8x70 8.8 fzb	2
4	594 12 04-01	SOCKET	SOCKET Hexagon, Screw	6
5	595 03 66-01	WASHER	WASHER	10
6	596 36 49-01	COUPLING	COUPLING	1
7	596 88 97-16	SCREW	SCREW Hex. Head Fine Pitch M6S M10x1.25	3
8	595 11 33-01	WASHER	WASHER	22
9	596 37 35-01	PUMP	PUMP Double pump	1
10	596 36 93-01	FITTING	FITTING Flange fitting	1
11	596 36 91-01	FITTING	FITTING Flange fitting	2
12	594 12 07-01	SCREW	SCREW Hex. Sock	2
13	594 74 73-01	WASHER	WASHER 10.5 X 22 X 4 MM	2
14	596 36 45-01	FAN	FAN	1
15	596 69 50-08	SCREW	HEX. HEAD SCREW	3
16	595 03 65-01	PLANE WASHER	WASHER Plain	6
17	596 37 38-01	FAN	FAN Fan hub	1
18	596 88 97-17	SCREW	SCREW Hex. Head Fine Pitch M6S M10x1.25	3
19	596 37 75-01	STAND	STAND Engine stand	1
20	596 38 09-01	STAND	STAND Engine stand	3
21	596 88 97-15	SCREW	SCREW Hex. Head Fine Pitch M6S M10x1.25	16
22	595 11 03-01	SCREW	SCREW	8
23	595 11 30-01	WASHER	WASHER	8
24	596 88 92-01	NIPPLE	NIPPLE ELBOW 90° UNF 9/16-18 - M18x1.5	1
25	595 35 20-01	LOCK NUT	LOCK NUT M6	1
26	596 38 37-01	FUEL HOSE	FUEL HOSE	1
27	596 38 35-01	FUEL HOSE	FUEL HOSE	1
28	596 89 14-01	HOSE CLAMP	HOSE CLAMP Ø12.7-16	10
29	596 38 35-01	FUEL HOSE	FUEL HOSE	1
30	596 38 51-01	ELBOW	ELBOW Swivel elbow	2
31	597 49 37-01	BRACKET	FUEL FILTER BRACKET	1
32	597 44 80-01	FUEL FILTER	FUEL FILTER ELEMENT	1
33	596 38 35-01	FUEL HOSE	FUEL HOSE	1
34	597 44 86-01	FUEL PUMP	HYDRAULIC PUMP	1 1
35	596 38 35-01	FUEL HOSE	FUEL HOSE	1
36	597 44 80-03	FUEL FILTER	FUEL FILTER	1 1
37	596 37 30-01	HOSE	HOSE Oil drain hose	1
38	596 88 93-12	NIPPLE	NIPPLE STRAIGHT M12x1.25 - M18x1.5	1
39	596 89 36-01	UNIT	UNIT Bulk Head Union M18x1.5	1
40	596 88 91-01	NUT	NUT M18x1,5	1
41	596 89 13-02	PIPE CLAMP	PIPE CLAMP Covered Ø10, M6	1
42	594 12 56-01	PIPE CLAMP	PIPE CLAMP	1
43	595 34 42-01	SCREW	SCREW	2
44	596 89 13-01	PIPE CLAMP	PIPE CLAMP Covered Ø10, M8	1
45	594 12 53-01	PIPE CLAMP	PIPE CLAMP COVERED	1
46	595 35 23-01	NUT	NUT LOCK	2



FRAME

LP 9505, 967950801, 2021-09

Ref	Part No	Description	Remark	QTY	KIT
1	596 38 10-01	FRAME	FRAME Front frame	1	
2	596 88 59-01	BRACKET	BRACKET Hook bracket lower	1	
3	596 88 60-01	BRACKET	BRACKET Hook bracket top	1	
4	595 03 66-01	WASHER	WASHER	2	
5	594 11 79-01	SCREW	SCREW	2	
6	596 37 95-01	BRACKET	BRACKET Support bracket	2	
7	596 38 15-01	HUB	HUB Clamping Hub	2	
8	596 37 61-01	SHAFT	SHAFT	1	
9	595 03 66-01	WASHER	WASHER	11	
10	595 34 43-01	SCREW	SCREW	4	
11	596 38 05-01	HINGE	HINGE	1	
12	596 38 06-01	HINGE	HINGE	1	
13	596 38 31-01	DAMPER	DAMPER Rubber damper	2	
14	596 37 88-01	BRACKET	BRACKET Bracket Rubber Dampers	1	
15	596 38 03-01	BRACKET	BRACKET Bracket rubber damper	1	
16	596 37 89-01	BRACKET	BRACKET Bracket Rubber Damper	2	
17	596 37 41-01	DAMPER	DAMPER Rubber damper	1	
18	595 03 34-01	SCREW	SCREW	4	
19	595 11 01-01	SCREW	SCREW	5	
20	595 11 34-01	WASHER	WASHER	14	
21	595 03 67-01	WASHER	WASHER	3	
22	596 88 97-12	SCREW	SCREW Hex. Head M6S M16x30 8.8 fzb	2	
23	594 11 91-01	SCREW	SCREW	12	
24	597 44 89-01	DEFLECTOR	DEFLECTOR	1	
25	595 34 53-01	SCREW	SCREW Hex. Head	4	
26	596 38 38-01	BUSHING	BUSHING	2	
27	596 37 84-01	HOOK	HOOK	1	
28	595 03 61-01	LOCK NUT	LOCK NUT	1	
29	596 39 32-01	LATCH	LATCH Indexing plunger	1	
30	596 37 99-01	LOOP	LOOP Padlock loop	1	
31	594 12 38-01	PLANE WASHER	PLANE WASHER	2	
32	595 28 70-01	BOLT	BOLT Hexagon	2	
33	596 37 66-01	STRAP	STRAP	2	
34	594 12 40-01	WASHER	WASHER 13X36X6 FZB	4	
35	595 34 52-01	BOLT	BOLT Hexgon	4	
36	598 14 15-01	BEARING	BEARING	4	
37	596 88 89-02	RING	RING Retaining Type RS, size 7	2	
38	596 88 58-01	SUPPORT	SUPPORT Hood	2	
39	597 44 75-02	SCREW	6-P. SOCK SCREW	4	
40	595 35 20-01	LOCK NUT	LOCK NUT M6	4	
41	597 44 90-01	JOINT	ARTICULATING JOINT	2	
42	596 36 30-01	JOINT	JOINT Main joint part	2	41
43	596 36 31-01	JOINT	JOINT Joint part	2	41
44	596 37 40-01	JOINT	JOINT Joint shaft	2	41
45	596 38 19-01	BEARING	BEARING Radial spherical plain bearing	2	41
46	596 88 87-01	CIRCLIP	CIRCLIP Ø55	2	41
47	595 04 40-01	WASHER	WASHER Lock	4	41
48	596 88 97-13	SCREW	SCREW Hex. Head M6S M16x45 8.8 fzb	4	41
49	596 88 97-22	SCREW	SCREW Hex. Sock. MC6S M16x50 8.8 fzb	4	41
50	595 03 67-01	WASHER	WASHER	2	41
51	595 03 61-01	LOCK NUT	LOCK NUT	2	41
52	597 44 81-02	CAP	GREASE NIPPLE CAP	2	41
53	594 12 68-01	LUBRICATION NIPPLE	LUBRICATION NIPPLE Grease	2	41
54	597 49 36-01	DECAL	DECAL REFLECTIVE, WHITE	2	

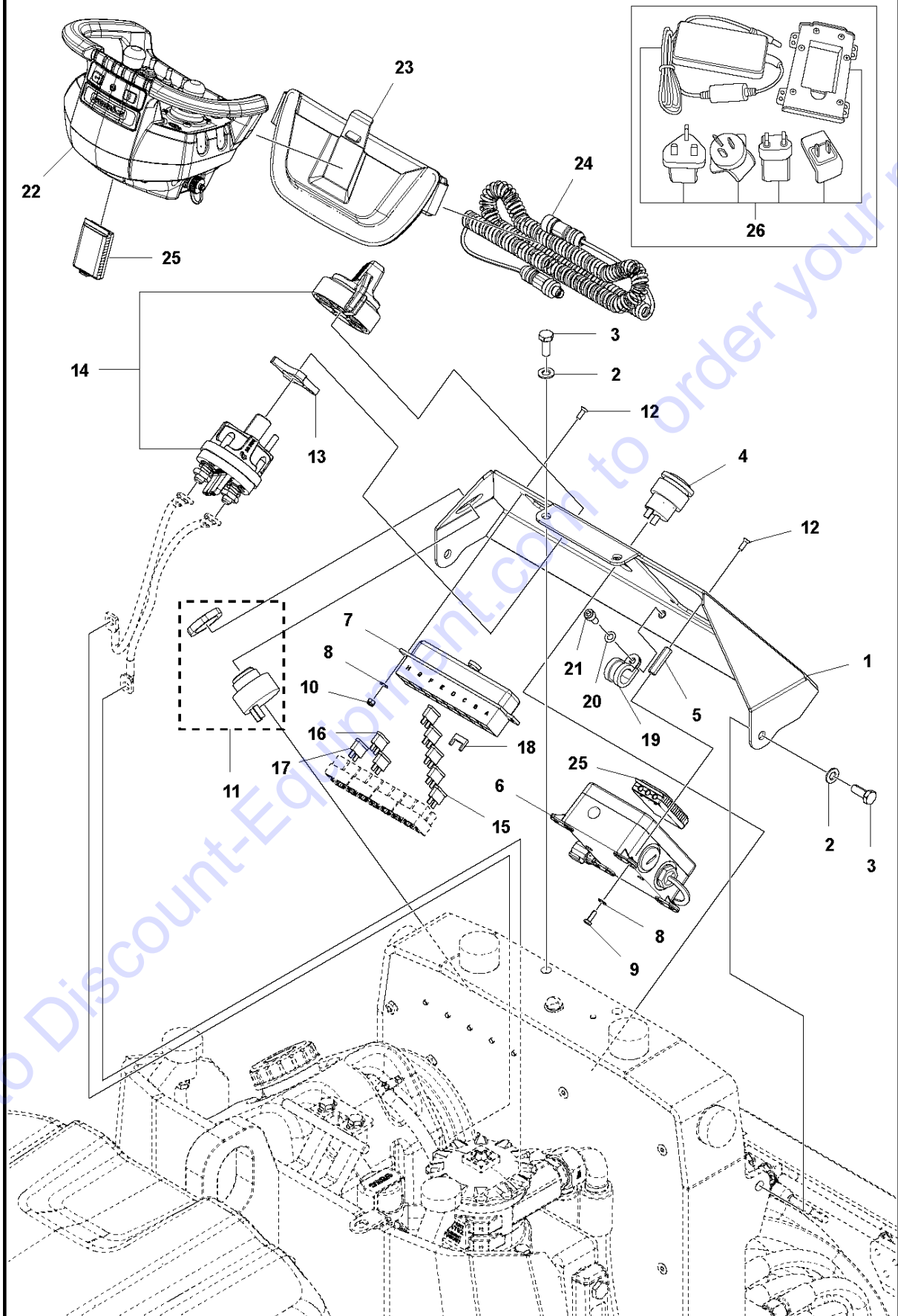


COVER

LP 9505, 967950801, 2021-09

Ref	Part No	Description	Remark	QTY KIT
1	596 38 04-01	SUPPORT	SUPPORT Hood support	1
2	595 03 66-01	WASHER	WASHER	8
3	594 11 79-01	SCREW	SCREW	6
4	595 91 63-01	HOOD	HOOD Rear hood	1
5	596 38 42-01	SCREW	SCREW Screw	14
6	596 38 44-01	HINGE	HINGE Hinge	2
7	596 38 43-01	SCREW	SCREW Screw	16
8	596 37 83-01	LOOP	LOOP Padlock loop	1
9	595 91 64-01	HATCH	HATCH Hatch	1
10	596 37 81-01	BRACKET	BRACKET Gas damper bracket	1
11	596 38 41-01	SCREW	SCREW Screw	18
12	596 38 45-01	GAS SPRING	GAS SPRING Gas spring	1
13	595 03 65-01	PLANE WASHER	WASHER Plain	5
14	595 35 20-01	LOCK NUT	LOCK NUT M6	4
15	596 37 82-01	LOOP	LOOP Padlock loop	1
16	596 38 02-01	HOLDER	HOLDER Document holder	1
17	596 38 01-01	HOLDER	HOLDER Document holder	1
18	596 37 87-01	SPACER	SPACER Spacer	4
19	596 38 17-01	BRACKET	BRACKET Latch bracket	1
20	596 37 69-01	BRACKET	BRACKET Sensor bracket	1
21	596 36 66-01	SENSOR	SENSOR Rear MDS	1
22	596 69 51-29	SCREW	SCREW HEX. SOCK. SCREW	4
23	596 38 00-01	LOOP	LOOP Padlock loop	1
24	596 38 46-01	GROMMET	GROMMET Grommet	1
25	594 12 56-01	PIPE CLAMP	PIPE CLAMP	1
26	595 10 98-01	SCREW	SCREW	1
27	595 03 60-01	LOCK NUT	LOCK NUT	1
28	596 91 19-01	PAD	PAD Adhesive Rubber	2
29	596 37 60-01	SLEEVE	SLEEVE Distance Sleeve	2
30	595 03 64-01	WASHER	WASHER	4
31	595 34 42-01	SCREW	SCREW	2
32	596 37 45-01	WIRE	WIRE Hood wire	1
33	595 03 32-01	SCREW	SCREW	1
34	595 11 47-01	CLAMP	CLAMP	1
35	596 89 13-02	PIPE CLAMP	PIPE CLAMP Covered Ø10, M6	1
36	595 34 80-01	SCREW	SCREW	1
37	596 37 63-01	CLIP	CLIP Clip	1
38	596 37 62-01	LOCK	LOCK Hatch lock	1
39	596 37 64-01	GRIP	GRIP Rubber grip	1
40	596 38 16-01	BRACKET	BRACKET Bracket	1
41	595 35 23-01	NUT	NUT	2
42	596 37 65-01	SUPPORT	SUPPORT Hood support	2
43	596 88 56-01	LIGHT	LIGHT Warning light	1
44	596 88 64-01	BRACKET	BRACKET Warning light	1
45	594 53 12-01	SCREW	SCREW M4x20	3
46	596 88 67-01	MOUNT	MOUNT Cable tie	4
47	594 12 60-01	CABLE	CABLE Tie	4
48	596 36 69-01	CABLE	CABLE OPS connection cable	1

M LP9505
CONTROL PANEL - PANEL, FUSES, RADIO TRANSMITTER & BATTERY



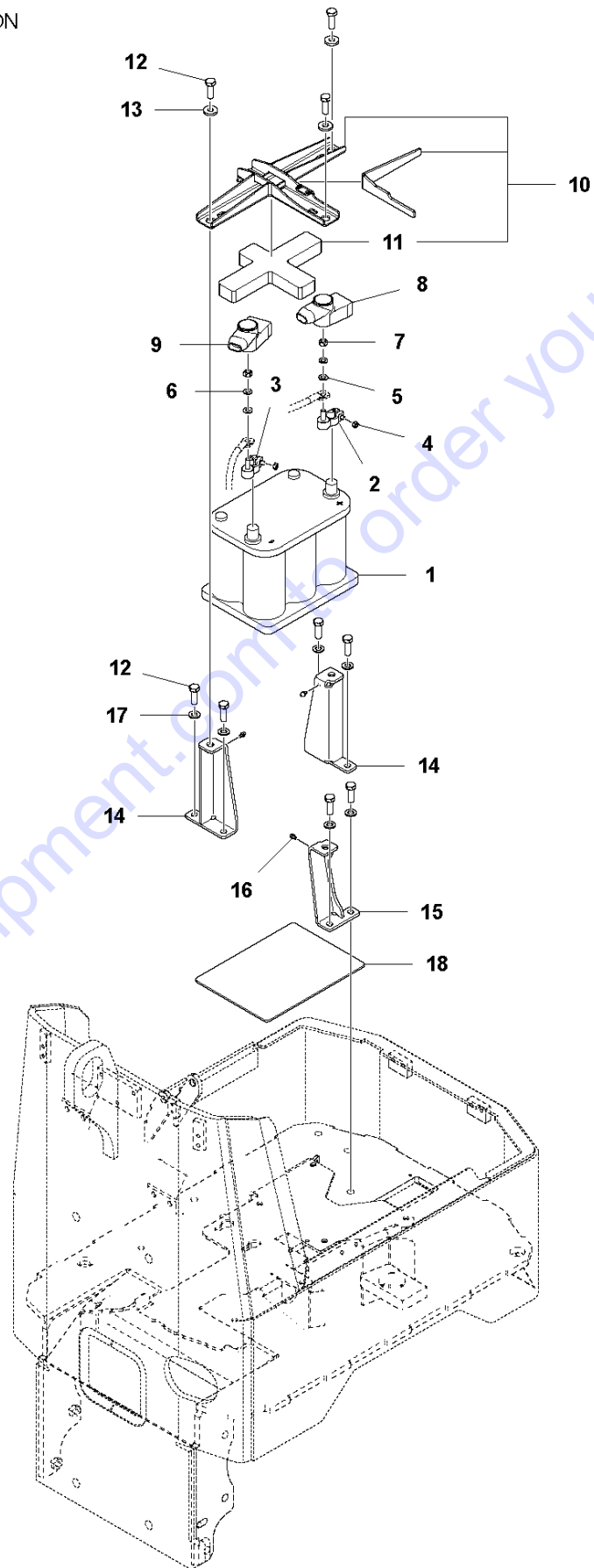
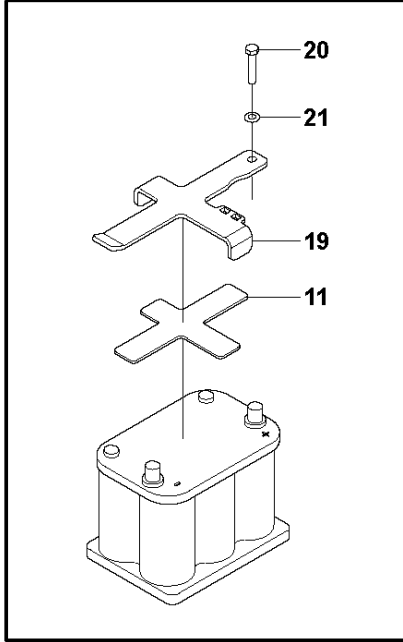
CONTROL PANEL

LP 9505, 967950801, 2021-09

Ref	Part No	Description	Remark	QTY KIT
1	596 37 79-01	COVER	COVER Console cover	1
2	595 03 66-01	WASHER	WASHER	4
3	594 11 79-01	SCREW	SCREW	4
4	595 21 45-01	SOCKET	POWER SOCKET	1
5	596 88 91-03	NUT	NUT Spacing M4x9, L=30	4
6	596 36 75-01	BATTERY CHARGER	BATTERY CHARGER	1
7	596 36 58-01	FUSE HOLDER	FUSE HOLDER	1
8	595 11 32-01	WASHER	WASHER	6
9	596 88 97-04	SCREW	SCREW Hex. Head M6S M4x12 8.8 fzb	4
10	595 35 19-01	LOCK NUT	LOCK NUT M4 CL6 DIN 985	2
11	594 46 34-01	BUZZER	BUZZER	1
12	595 03 53-01	SCREW	COUNTERSUNK HEX. SOCK. SCREW	6
13	596 37 98-01	SPACER	SPACER	1
14	596 36 61-01	BATTERY	BATTERY Battery disconnecter	1
15	596 36 54-01	FUSE	FUSE 7.5 A	5
16	595 18 55-01	FUSE	FUSE 5 A	2
17	595 46 90-01	FUSE	FUSE 10 A	1
18	596 36 55-01	BRIDGE	CONTACT BRIDGE	6
19	594 12 56-01	PIPE CLAMP	PIPE CLAMP	1
20	595 03 65-01	PLANE WASHER	WASHER Plain	1
21	595 34 79-01	SOCKET	SOCKET Hex. Screw	1
22	596 36 76-01	TRANSMITTER	TRANSMISSION Radio transmitter	1
23	596 36 77-01	BELT	TRANSMISSION Belt radio transmitter	1
24	594 86 89-01	CABLE	CONTROL CABLE	1
25	596 36 79-01	BATTERY	BATTERY REMOTE CONTROL	2
26	594 19 52-02	CHARGER		1

Go to Discount-Equipment.com to order your parts

N LP9505
BATTERY - BATTERY INSTALLATION



Go to Discount-Equipment.com to order your parts

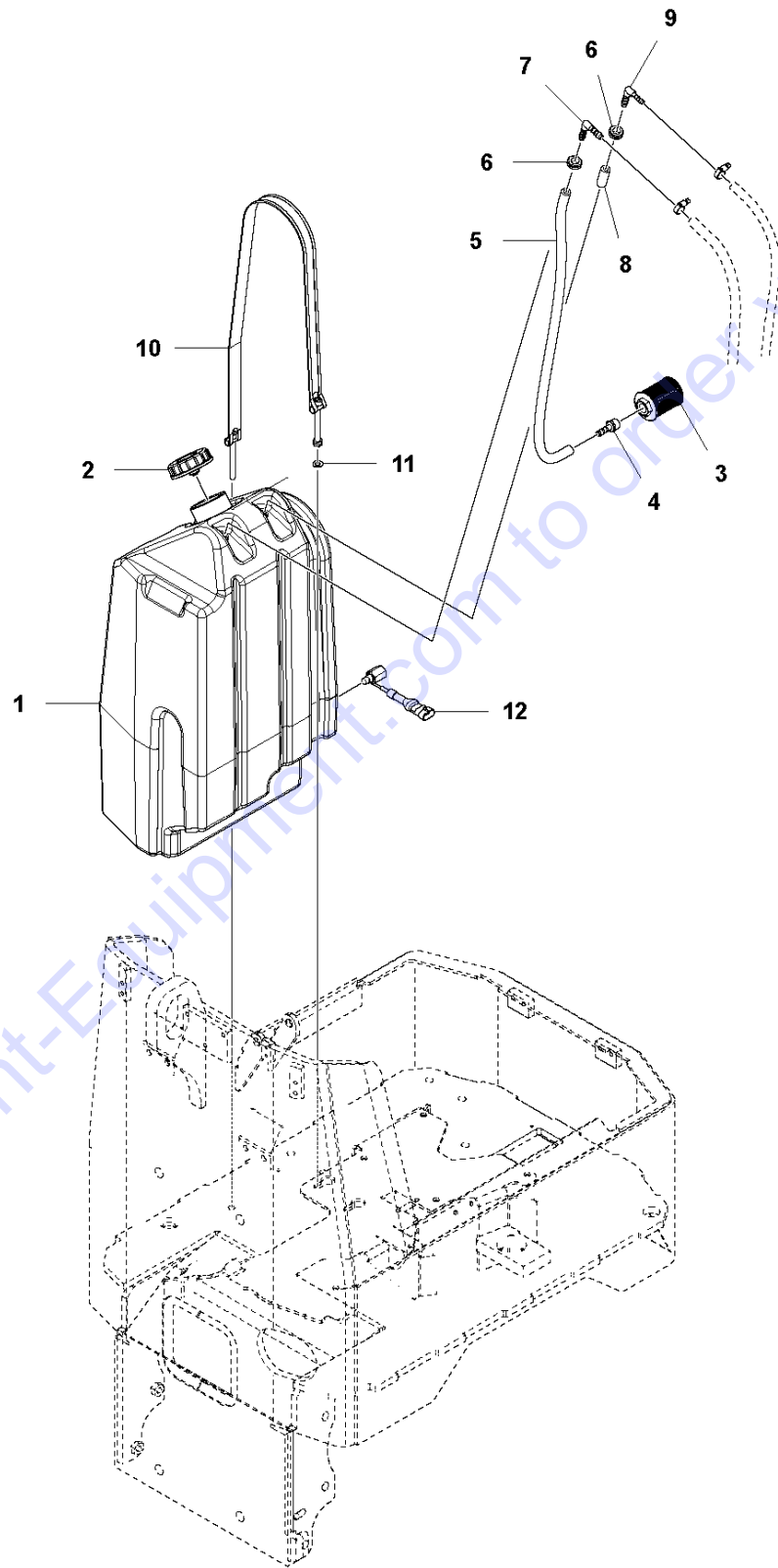
BATTERY

LP 9505, 967950801, 2021-09

Ref	Part No	Description	Remark	QTY	KIT
1	594 48 59-01	BATTERY	BATTERY	1	
2	596 36 80-01	TERMINAL	BATTERY TERMINAL +	1	
3	596 36 81-01	TERMINAL	BATTERY TERMINAL -	1	
4	595 28 75-01	HEXAGON NUT	HEXAGON NUT	2	
5	595 03 66-01	WASHER	WASHER	2	
6	597 44 83-01	SPRING WASHER	SPRING WASHER	2	
7	595 03 57-01	NUT	NUT Hexagon	2	
8	596 36 82-01	TERMINAL	TERMINAL Battery terminal cover +	1	
9	596 36 83-01	TERMINAL	TERMINAL Battery terminal cover -	1	
10	594 49 39-01	SPRING	BATTERY TOP BRACKET ASM. Up to SN 20210600251	1	
11	596 91 20-01	INSULATION	BATTERY INSULATION - INSULATION Battery	1	10
12	594 11 85-01	BOLT	BOLT, up to SN 20210600251	9	
13	597 44 85-01	WASHER	WASHER, up to SN 20210600251	3	
14	596 88 61-01	BRACKET	MOUNT BRACKET 1 ASM. Up to SN 20210600251	2	
15	597 44 82-02	BRACKET	MOUNT BRACKET 2 ASM. Up to SN 20210600251	1	
16	596 91 23-01	DAMPER	DAMPER Rubber, up to SN 20210600251	3	
17	595 11 33-01	WASHER	WASHER, up to SN 20210600251	6	
18	596 91 22-01	BATTERY	BATTERY Damping	1	
19	529 45 16-05	PLATE	From SN 20210600251	1	
20	725 25 01-71	SCREW EHHM	M10X50 HEX FT, From SN 20210600251	1	
21	595 11 33-01	WASHER	From SN 20210600251	1	

Go to Discount-Equipment.com to order your parts

**LP9505
FUEL TANK**

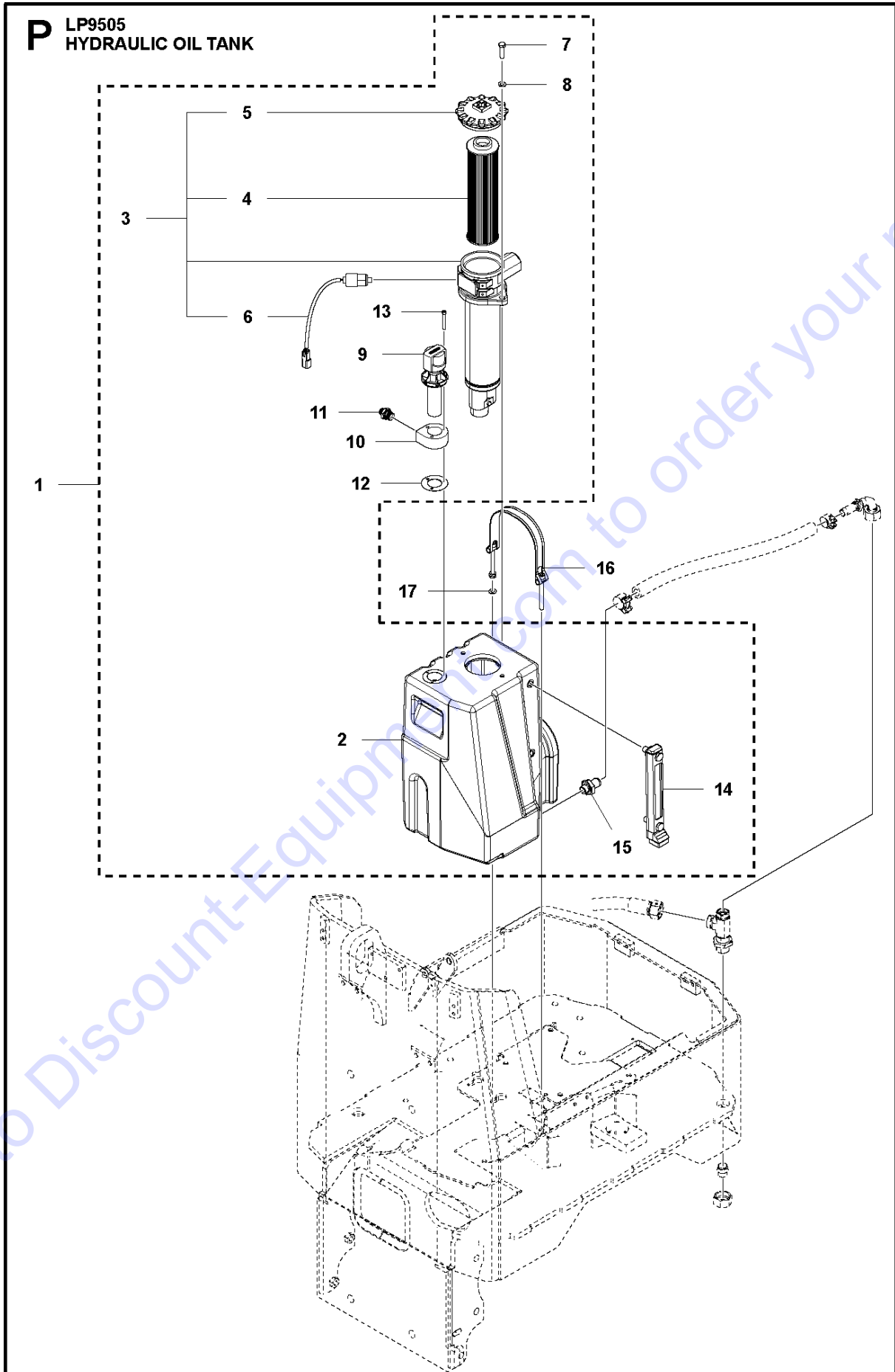


FUEL TANK

LP 9505, 967950801, 2021-09

Ref	Part No	Description	Remark	QTY KIT
1	596 37 70-01	FUEL TANK	FUEL TANK	1
2	596 38 24-01	LID	LID Fuel tank lid	1
3	596 38 22-01	STRAINER	STRAINER Fuel strainer	1
4	596 38 23-01	HOSE	HOSE Hose barb	1
5	596 38 36-01	FUEL HOSE	FUEL HOSE	1
6	596 38 25-01	GROMMET	GROMMET	2
7	596 38 26-01	ELBOW	ELBOW 8-8mm	1
8	596 38 36-01	FUEL HOSE	FUEL HOSE	1
9	596 38 27-01	ELBOW	ELBOW 8-6mm	1
10	596 38 20-01	CLAMP	CLAMP FUEL TANK	1
11	595 03 66-01	WASHER	WASHER	1
12	596 36 64-01	SENSOR	SENSOR Fuel level sensor	1

Go to Discount-Equipment.com to order your parts



HYDRAULIC OIL TANK

LP 9505, 967950801, 2021-09

Ref	Part No	Description	Remark	QTY	KIT
1	597 44 91-01	HYDRAULIC TANK ASSY	HYDRAULIC OIL TANK ASSY	1	
2	596 37 71-01	HYDRAULIC TANK	HYDRAULIC OIL TANK	1	1
3	596 36 88-01	FILTER	HYDRAULIC OIL FILTER ASSY	1	1
4	597 44 93-01	OIL FILTER	HYDRAULIC OIL FILTER	1	1, 3
5	597 44 81-03	CAP	PLASTIC CAP HYRDAULIC FILTER	1	1, 3
6	596 36 89-01	INDICATOR	INDICATOR Oil filter indicator	1	1, 3
7	595 34 43-01	SCREW	SCREW	2	1
8	595 03 66-01	WASHER	WASHER	2	1
9	596 36 86-01	FILTER	FILTER Breather filter	1	1
10	596 37 57-01	FILTER	FILTER Filter adapter	1	1
11	596 88 93-08	NIPPLE	NIPPLE STRAIGHT G3/8 - M14x1.5	1	1
12	596 37 58-01	SEALING	SEALING	1	1
13	596 88 97-18	SCREW	SCREW Hex. Sock. MC6S M5x40 8.8 fzb	3	1
14	596 36 87-01	GUIDE	GUIDE Level glass	1	1
15	596 36 90-01	FITTING	FITTING Hose fitting	1	1
16	596 38 21-01	CLAMP	CLAMP HYDRAULIC OIL TANK	1	
17	595 03 66-01	WASHER	WASHER	1	

Go to Discount-Equipment.com to order your parts

PARTS FINDER

**Search Website
by Part Number**



**Search Manual
Library For Parts
Manual & Lookup Part
Numbers – Purchase
or Request Quote**

Search Manuals

Enter your information to help us find the right parts manual for your machine.

* Brand:

* Model:

* Serial:

* Part Number:

SEARCH

**Can't Find Part or
Manual? Request Help
by Manufacturer,
Model & Description**

Parts Order Form

Please fill in the following information to help us find the right part for your machine.

Manufacturer:	<input type="text"/>
Model:	<input type="text"/>
Description:	<input type="text"/>
Part Number:	<input type="text"/>
Quantity:	<input type="text"/>
Notes:	<input type="text"/>

Submit

Discount-Equipment.com is your online resource for quality parts & equipment.

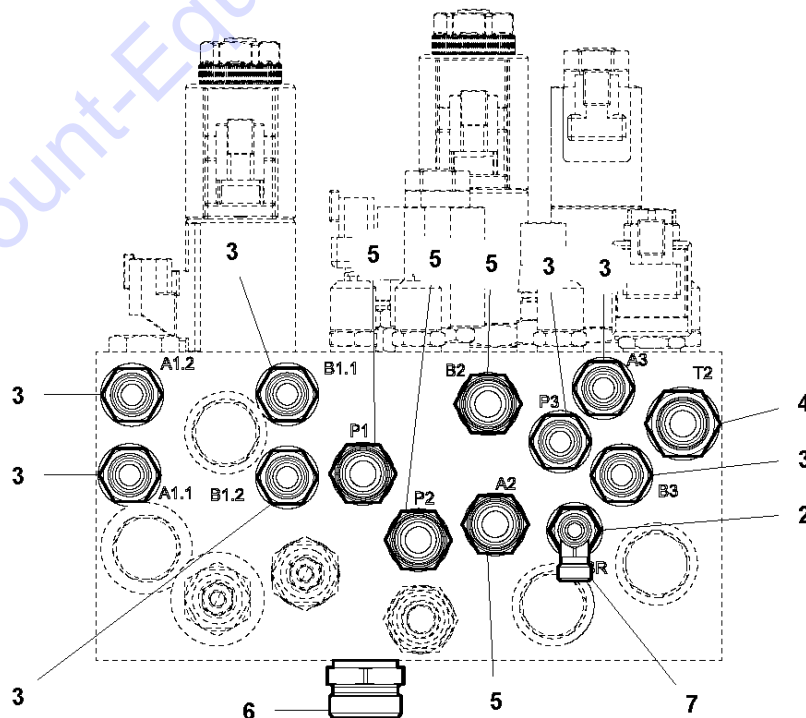
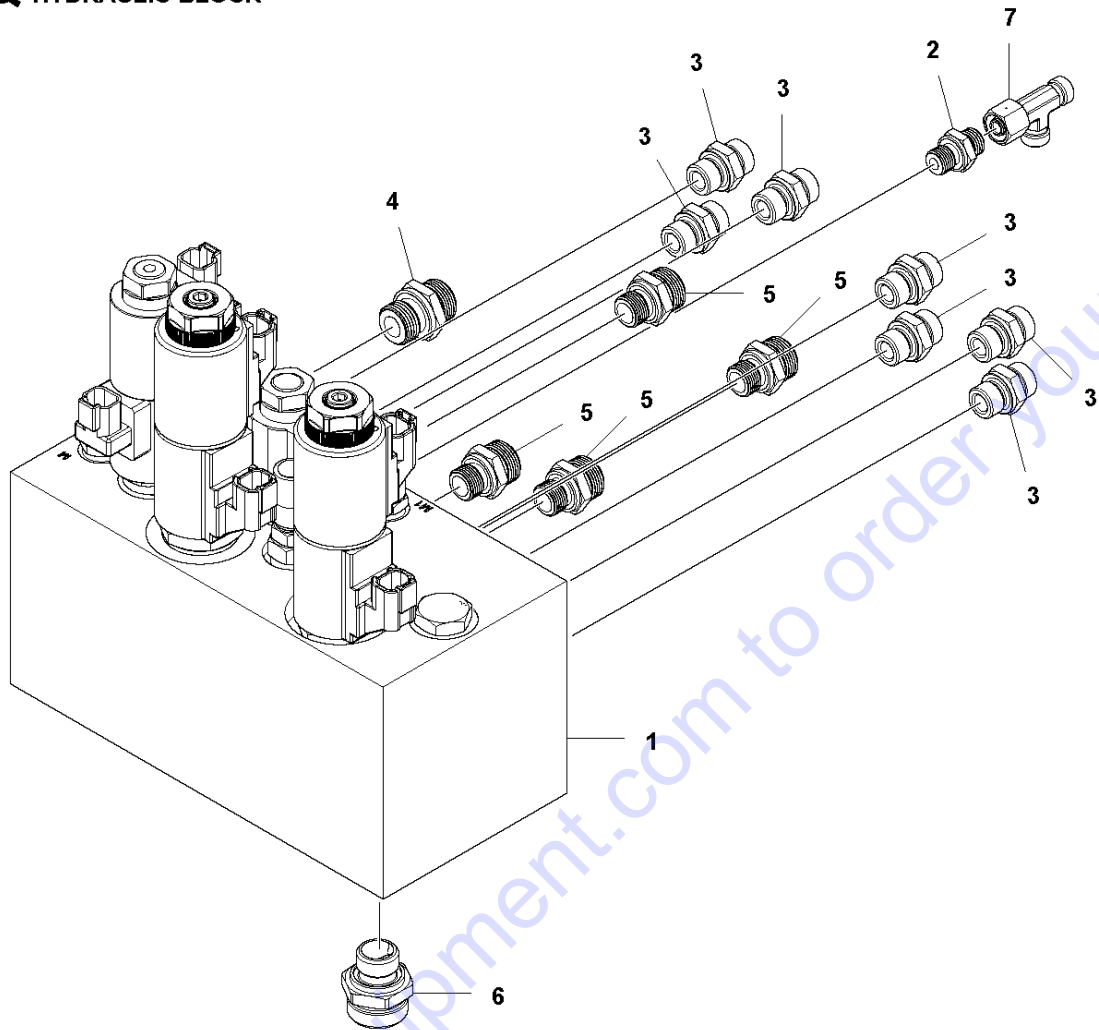
Florida: **561-964-4949** Outside Florida TOLL FREE: **877-690-3101**

Need parts?

Click on this link: <http://www.discount-equipment.com/category/5443-parts/> and choose one of the options to help get the right parts and equipment you are looking for. Please have the machine model and serial number available in order to help us get you the correct parts. If you don't find the part on the website or on one of the online manuals, please fill out the request form and one of our experienced staff members will get back to you with a quote for the right part that your machine needs.

We sell worldwide for the brands: Genie, Terex, JLG, MultiQuip, Mikasa, Essick, Whiteman, Mayco, Toro Stone, Diamond Products, Generac Magnum, Airman, Haulotte, Barreto, Power Blanket, Nifty Lift, Atlas Copco, Chicago Pneumatic, Allmand, Miller Curber, Skyjack, Lull, Skytrak, Tsurumi, Husquvarna Target, Stow, Wacker, Sakai, Mi-T-M, Sullair, Basic, Dynapac, MBW, Weber, Bartell, Bennar Newman, Haulotte, Ditch Runner, Menegotti, Morrison, Contec, Buddy, Crown, Edco, Wyco, Bomag, Laymor, EZ Trench, Bil-Jax, F.S. Curtis, Gehl Pavers, Heli, Honda, ICS/PowerGrit, IHI, Partner, Imer, Clipper, MMD, Koshin, Rice, CH&E, General Equipment, Amida, Coleman, NAC, Gradall, Square Shooter, Kent, Stanley, Tamco, Toku, Hatz, Kohler, Robin, Wisconsin, Northrock, Oztec, Toker TK, Rol-Air, APT, Wylie, Ingersoll Rand / Doosan, Innovatech, Con X, Ammann, Mecalac, Makinex, Smith Surface Prep, Small Line, Wanco, Yanmar

Q LP9505
HYDRAULIC BLOCK



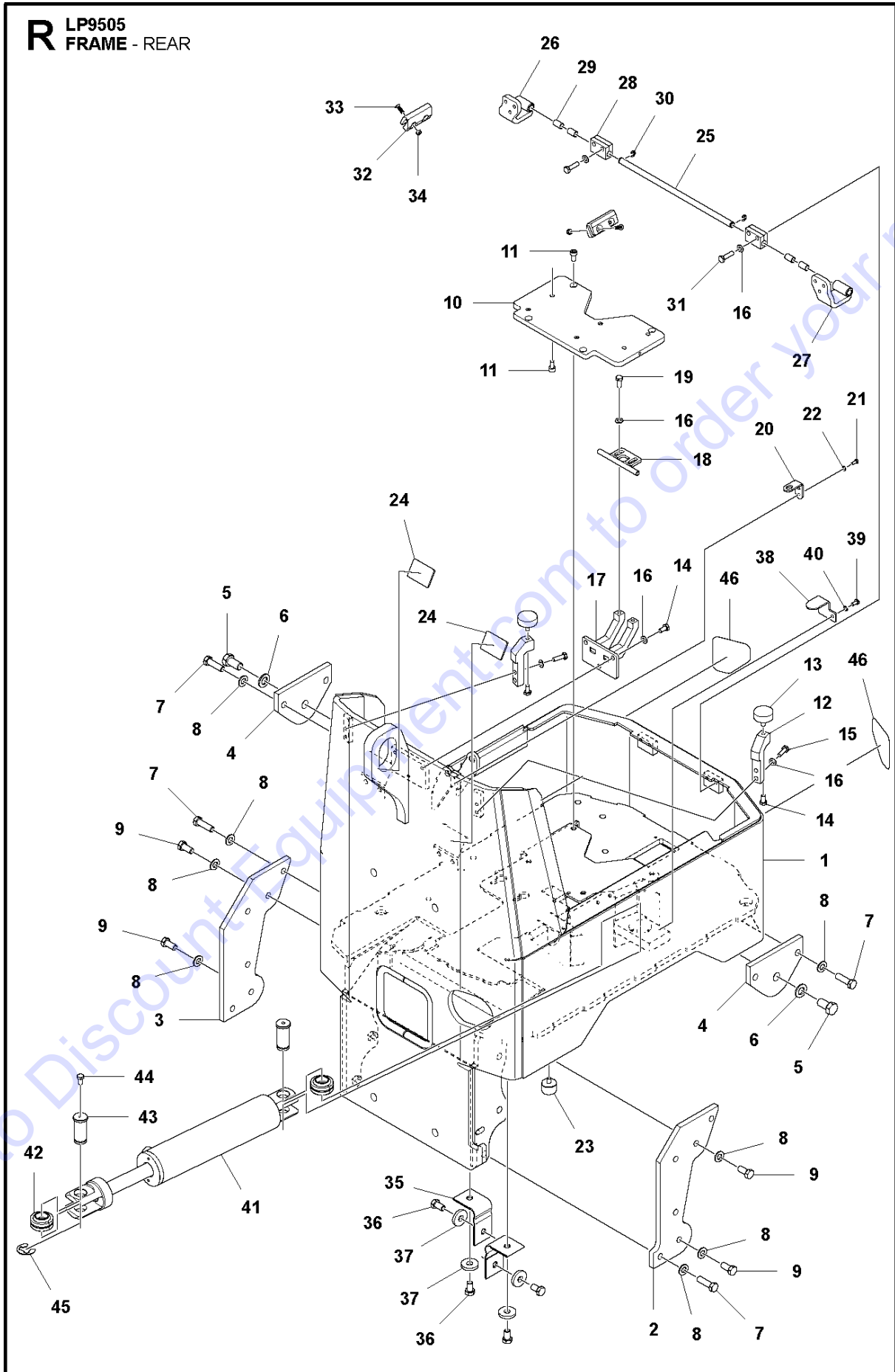
HYDRAULIC BLOCK

LP 9505, 967950801, 2021-09

Ref	Part No	Description	Remark	QTY KIT
1	596 37 36-01	BLOCK	BLOCK Control block	1
2	596 88 93-01	NIPPLE	NIPPLE STRAIGHT G1/4 - M14x1.5	1
3	595 97 54-01	FITTING	STRAIGHT FITTING G3/8 - M18x1.5	7
4	596 88 93-03	NIPPLE	NIPPLE STRAIGHT G1/2 - M22x1.5	1
5	596 88 93-05	NIPPLE	NIPPLE STRAIGHT G3/8 - M22x1.5	4
6	596 88 93-02	NIPPLE	NIPPLE STRAIGHT G1/2 - M30x2	1
7	596 88 95-01	NIPPLE	NIPPLE L JOINT M14x1,5	1

Go to Discount-Equipment.com to order your parts

R LP9505
FRAME - REAR

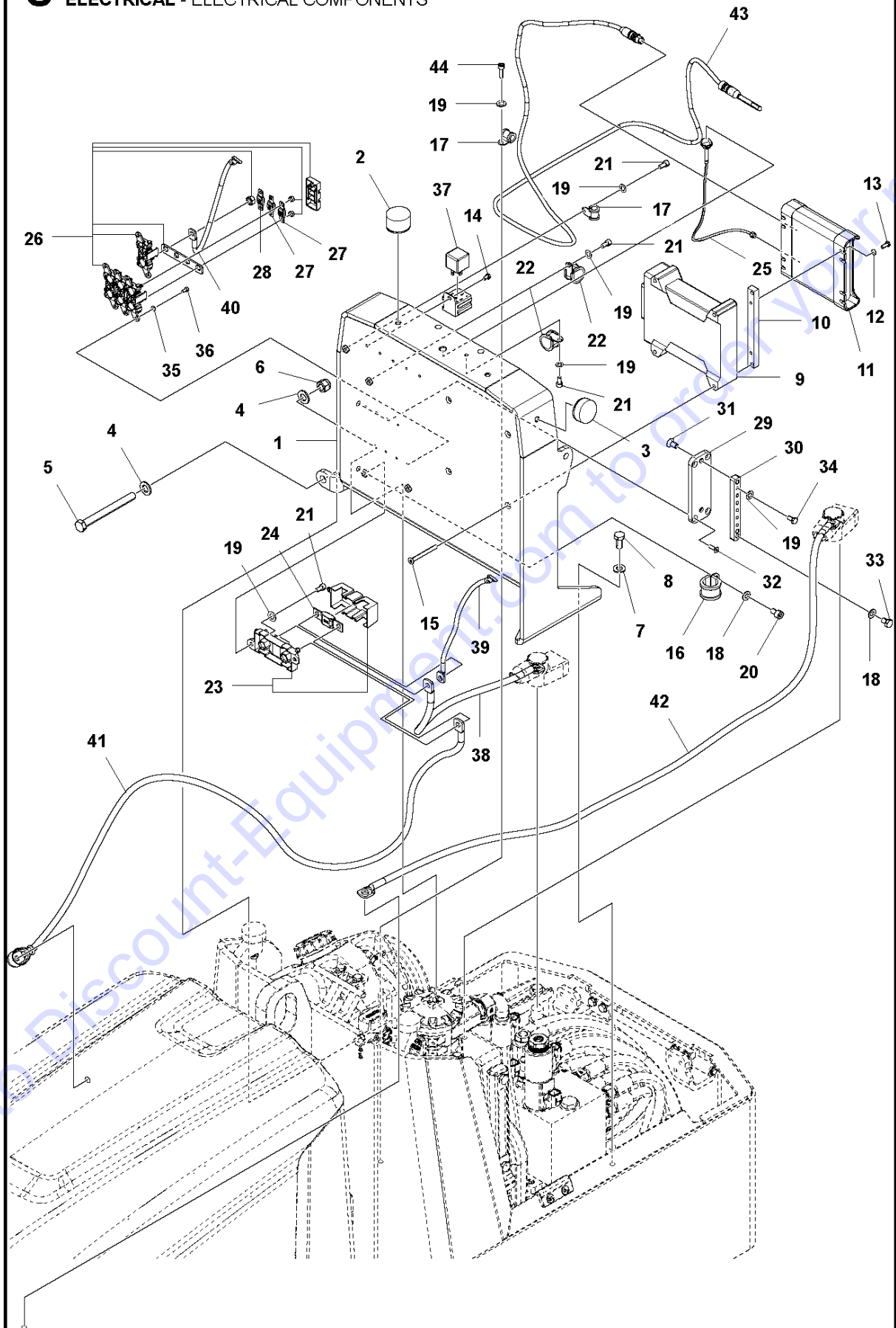


FRAME

LP 9505, 967950801, 2021-09

Ref	Part No	Description	Remark	QTY KIT
1	596 37 90-01	FRAME	FRAME Rear frame	1
2	596 37 85-01	BRACKET	BRACKET Bracket rubber dampers	1
3	596 37 88-01	BRACKET	BRACKET Bracket rubber dampers	1
4	596 37 89-01	BRACKET	BRACKET Bracket Rubber Damper	2
5	596 88 97-12	SCREW	SCREW Hex. Head M6S M16x30 8.8 fzb	2
6	595 03 67-01	WASHER	WASHER	2
7	594 11 91-01	SCREW	SCREW	12
8	595 11 34-01	WASHER	WASHER	16
9	595 34 53-01	SCREW	SCREW Hex. Head	4
10	596 37 96-01	VALVE	VALVE Valve plate	1
11	595 03 44-01	SCREW	SCREW M8X16	4
12	596 37 95-01	BRACKET	BRACKET Support bracket	2
13	596 38 31-01	DAMPER	DAMPER Rubber damper	2
14	595 11 01-01	SCREW	SCREW	5
15	595 03 34-01	SCREW	SCREW	4
16	595 03 66-01	WASHER	WASHER	13
17	596 88 59-01	BRACKET	BRACKET Hook bracket lower	1
18	596 88 60-01	BRACKET	BRACKET Hook bracket top	1
19	594 11 79-01	SCREW	SCREW	2
20	596 37 99-01	LOOP	LOOP Padlock loop	1
21	595 28 70-01	BOLT	BOLT Hexagon	2
22	594 12 38-01	PLANE WASHER	PLANE WASHER	2
23	596 37 41-01	DAMPER	DAMPER Rubber damper	1
24	596 37 49-01	SUPPORT	SUPPORT Tank support	2
25	596 37 61-01	SHAFT	SHAFT	1
26	596 38 06-01	HINGE	HINGE	1
27	596 38 05-01	HINGE	HINGE	1
28	596 38 15-01	HUB	HUB Clamping Hub	2
29	598 14 15-01	BEARING	BEARING	4
30	596 88 89-02	RING	RING Retaining Type RS, size 7	2
31	595 34 43-01	SCREW	SCREW	4
32	596 88 58-01	SUPPORT	SUPPORT Hood	2
33	597 44 75-02	SCREW	6-P. SOCK SCREW	4
34	595 35 20-01	LOCK NUT	LOCK NUT M6	4
35	596 37 66-01	STRAP	STRAP	2
36	595 34 52-01	BOLT	BOLT Hexgon	4
37	594 12 40-01	WASHER	WASHER 13X36X6 FZB	4
38	596 37 76-01	SHAFT LOCK	SHAFT LOCK	1
39	595 34 42-01	SCREW	SCREW	1
40	595 03 65-01	PLANE WASHER	WASHER	1
41	596 36 94-01	HYDRAULIC CYLINDER	HYDRAULIC CYLINDER	1
42	596 38 18-01	BEARING	BEARING Radial spherical plain bearing	2
43	596 37 39-01	SHAFT	SHAFT	2
44	596 88 97-09	SCREW	SCREW Hex. Head M6S M8x16 8.8 ISO A2-70	1
45	596 88 89-01	RING	RING Retaining Type RS, size 19	1
46	597 49 36-02	DECAL	DECAL REFLECTIVE, RED	2

S LP9505
ELECTRICAL - ELECTRICAL COMPONENTS

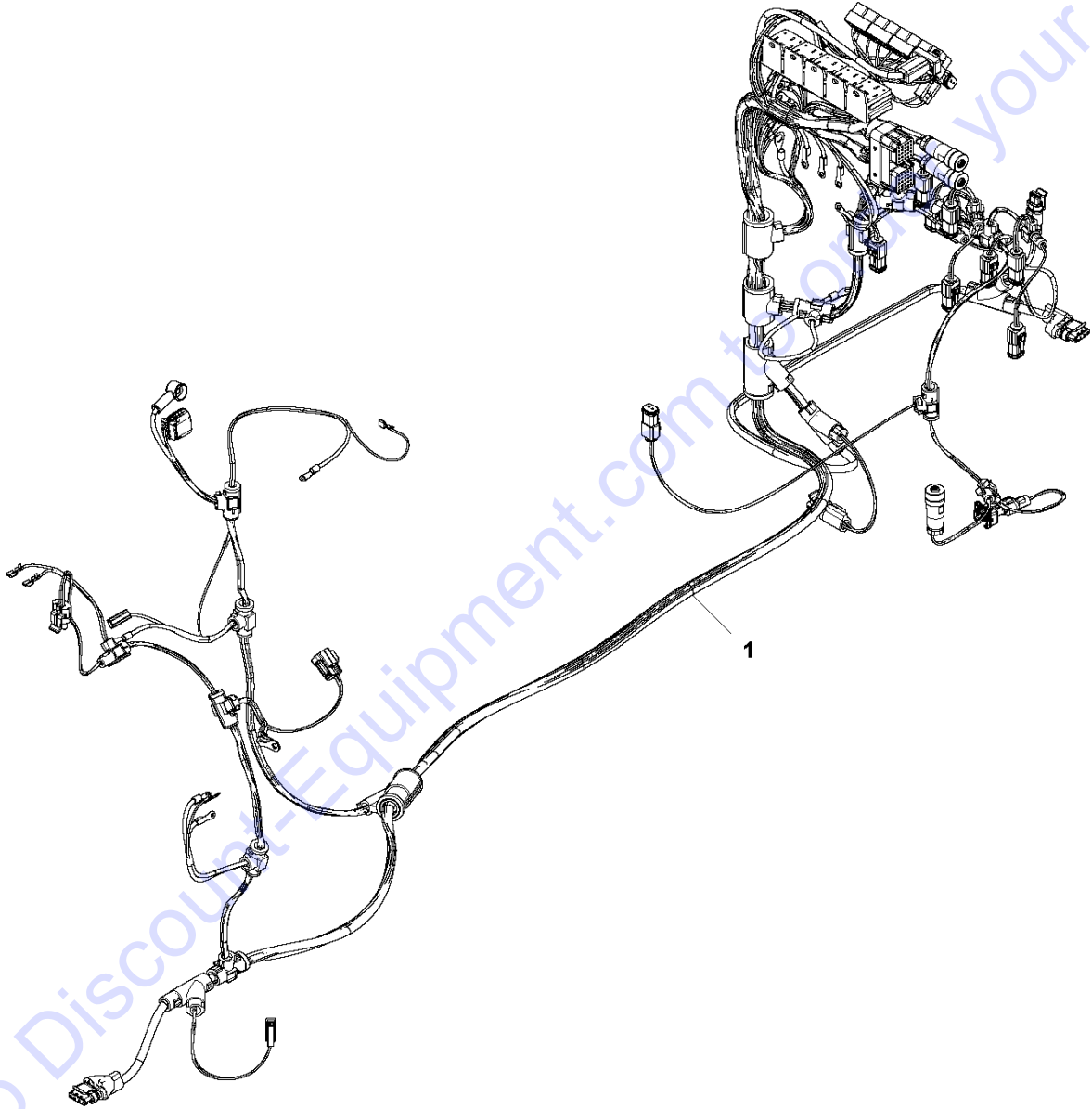


ELECTRICAL

LP 9505, 967950801, 2021-09

Ref	Part No	Description	Remark	QTY KIT
1	596 37 97-01	CONSOLE	CONSOLE	1
2	596 38 33-01	DAMPER	DAMPER Rubber damper	2
3	596 38 32-01	DAMPER	DAMPER Rubber damper	2
4	595 11 34-01	WASHER	WASHER	2
5	596 69 50-01	SCREW	SCREW HEX. HEAD SCREW	1
6	595 11 27-01	NUT	NUT LOCK	1
7	595 11 33-01	WASHER	WASHER	2
8	594 11 84-01	SCREW	SCREW Hex. Head	2
9	596 36 60-01	ELECTRICAL SYSTEM	ELECTRICAL SYSTEM ECU	1
10	595 21 32-01	BRACKET	BRACKET	2
11	596 36 63-01	TRANSMITTER	TRANSMISSION Radio receiver	1
12	594 12 38-01	PLANE WASHER	PLANE WASHER	4
13	595 28 70-01	BOLT	BOLT Hexagon	4
14	596 88 97-05	SCREW	SCREW Hex. Head M6S M5x8 8.8 fzb	5
15	596 89 12-04	SCREW	SCREW Countersunk Hex. Sock. MF6S M6x60	4
16	596 89 13-03	PIPE CLAMP	PIPE CLAMP Covered Ø25, M8	1
17	596 89 13-02	PIPE CLAMP	PIPE CLAMP Covered Ø10, M6	2
18	595 03 66-01	WASHER	WASHER	2
19	595 03 65-01	PLANE WASHER	WASHER Plain	12
20	596 88 97-19	SCREW	SCREW Hex. Sock. MC6S M8x12 8.8 fzb	1
21	595 34 79-01	SOCKET	SOCKET Hex. Screw	6
22	594 12 54-01	PIPE CLAMP	PIPE CLAMP	2
23	596 36 85-01	FUSE HOLDER	FUSE HOLDER	1
24	596 36 51-01	FUSE	FUSE 150A	1
25	596 36 78-01	ANTENNA	ANTENNA	1
26	596 36 59-01	FUSE HOLDER	FUSE HOLDER	1
27	596 36 52-01	FUSE	FUSE 30A	2
28	596 36 53-01	FUSE	FUSE 40A	1
29	596 37 68-01	BASE	BASE Busbar base	1
30	596 37 59-01	STRIP	STRIP Busbar strip	1
31	596 89 12-03	SCREW	SCREW Countersunk Hex. Sock. MF6S M8x16	2
32	595 11 15-01	SCREW	COUNTERSUNK HEX. SOCK. SCREW MF6S M5x16 8.8 FZB	4
33	596 88 97-07	SCREW	SCREW Hex. Head M6S M8x12 8.8 fzb	1
34	595 34 42-01	SCREW	SCREW	6
35	595 11 32-01	WASHER	WASHER	8
36	596 69 51-29	SCREW	SCREW HEX. SOCK. SCREW	8
37	596 36 57-01	RELAY	RELAY	5
38	596 36 70-01	CABLE	CABLE Connection cable	1
39	596 36 71-01	CABLE	CABLE Connection cable	1
40	596 36 72-01	CABLE	CABLE Connection cable	1
41	596 36 73-01	CABLE	CABLE Connection cable	1
42	596 36 74-01	CABLE	CABLE Connection cable	1
43	596 36 84-01	CABLE	CABLE M12 MULTI-CORE	1
44	595 34 80-01	SCREW	SCREW HEX SOCK	1

T LP9505
WIRING HARNESS

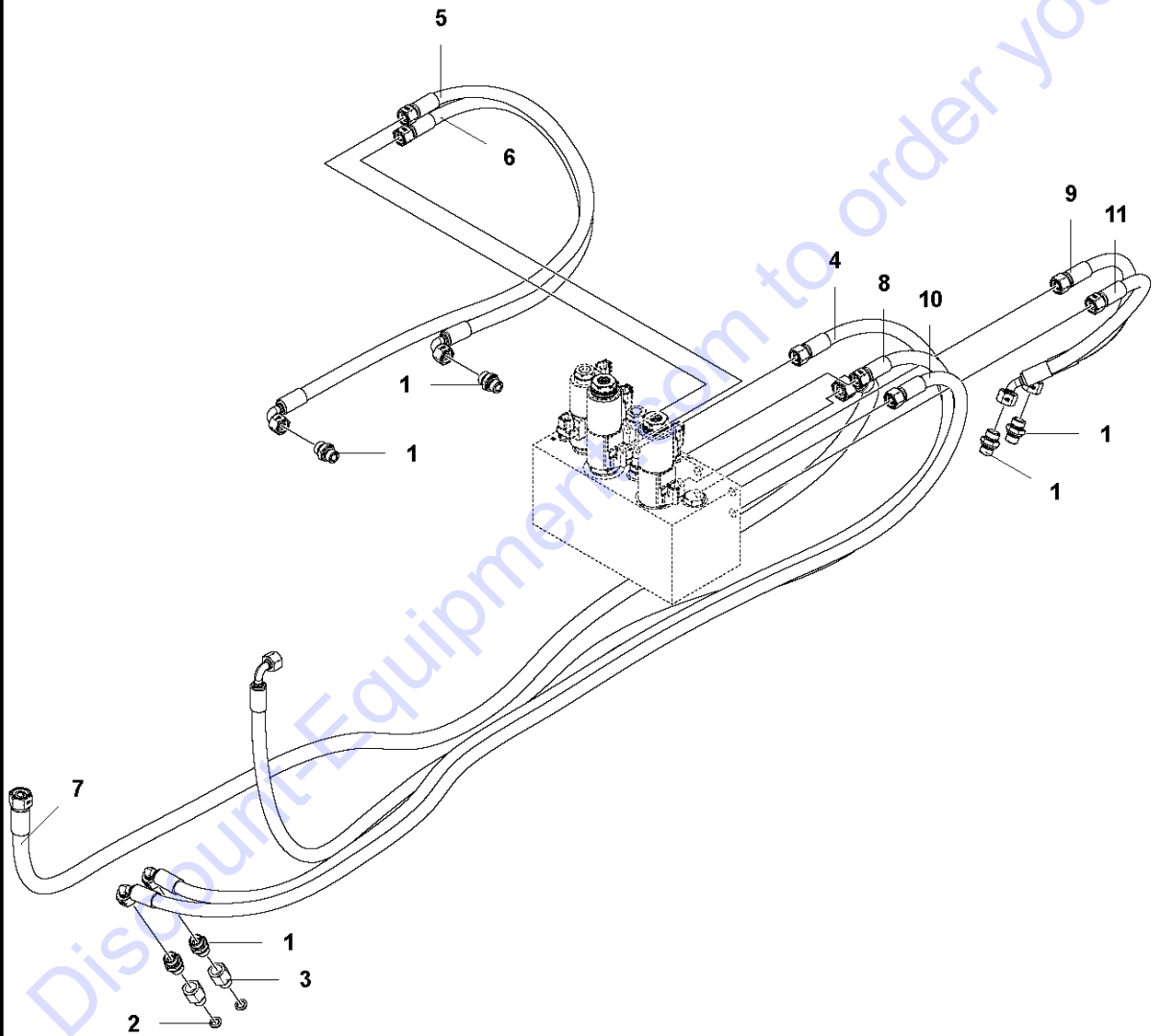


Go to Discount-Equipment.com to order your parts

Ref	Part No	Description	Remark	QTY KIT
1	596 36 68-01	CABLE	CABLE HARNESS	1

Go to Discount-Equipment.com to order your parts

U LP9505
HYDRAULIC HOSES - STEERING AND PROPULSION SYSTEM



Go to Discount-Equipment.com to order your parts

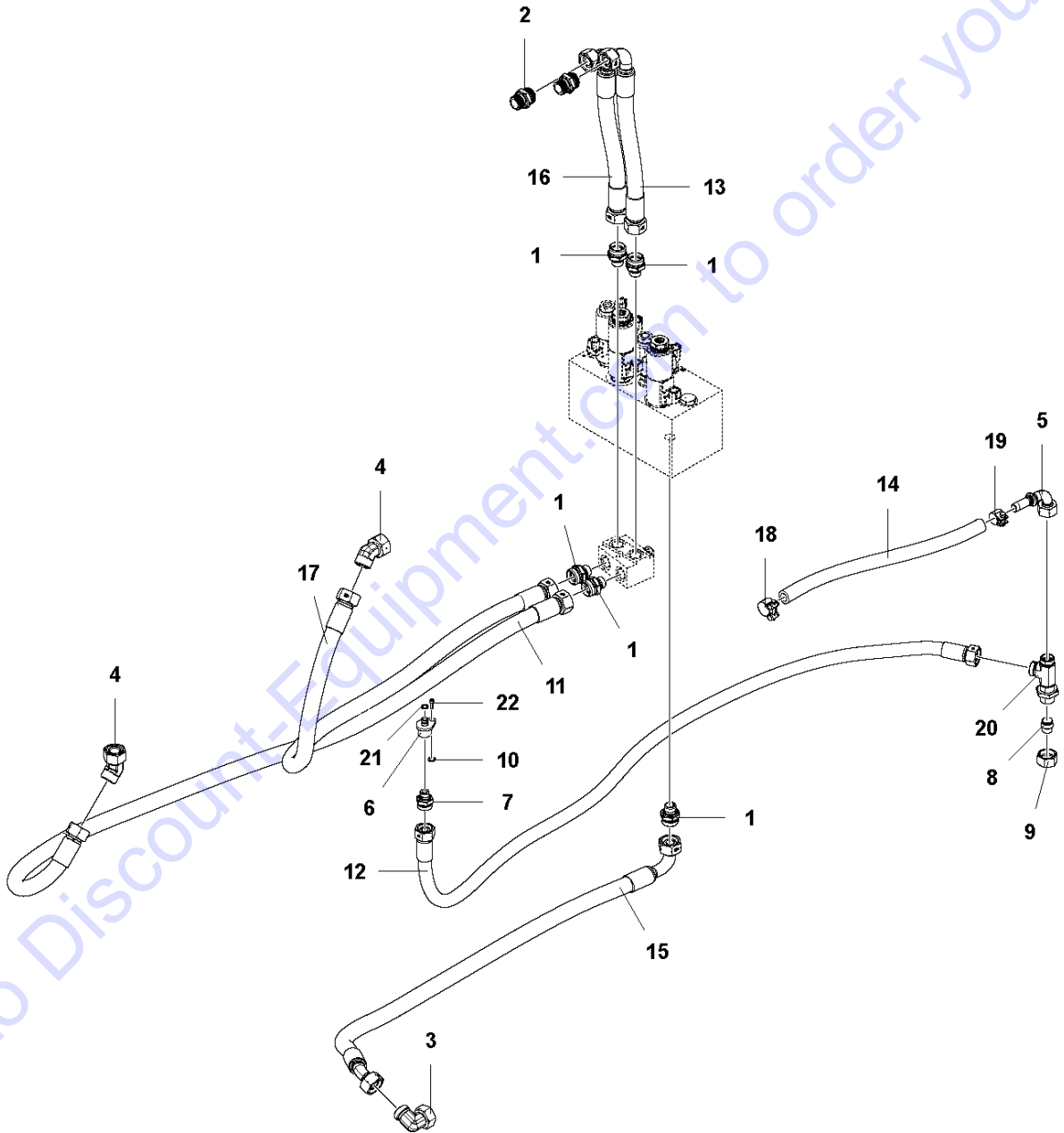
HYDRAULIC HOSES

LP 9505, 967950801, 2021-09

Ref	Part No	Description	Remark	QTY KIT
1	595 97 54-01	FITTING	STRAIGHT FITTING G3/8 - M18x1.5	6
2	595 35 48-01	WASHER	SEAL WASHER 0661 1000 00	2
3	595 11 72-01	CONNECTION	COUPLING 3/8-3/8	2
4	596 37 06-01	HYDRAULIC HOSE	HYDRAULIC HOSE	1
5	596 37 07-01	HYDRAULIC HOSE	HYDRAULIC HOSE	1
6	596 37 08-01	HYDRAULIC HOSE	HYDRAULIC HOSE	1
7	596 37 09-01	HYDRAULIC HOSE	HYDRAULIC HOSE	1
8	596 37 10-01	HYDRAULIC HOSE	HYDRAULIC HOSE	1
9	596 37 11-01	HYDRAULIC HOSE	HYDRAULIC HOSE	1
10	596 37 12-01	HYDRAULIC HOSE	HYDRAULIC HOSE	1
11	596 37 23-01	HYDRAULIC HOSE	HYDRAULIC HOSE	1

Go to Discount-Equipment.com to order your parts

V LP9505
HYDRAULIC HOSES - SUCTION AND COOLING SYSTEM



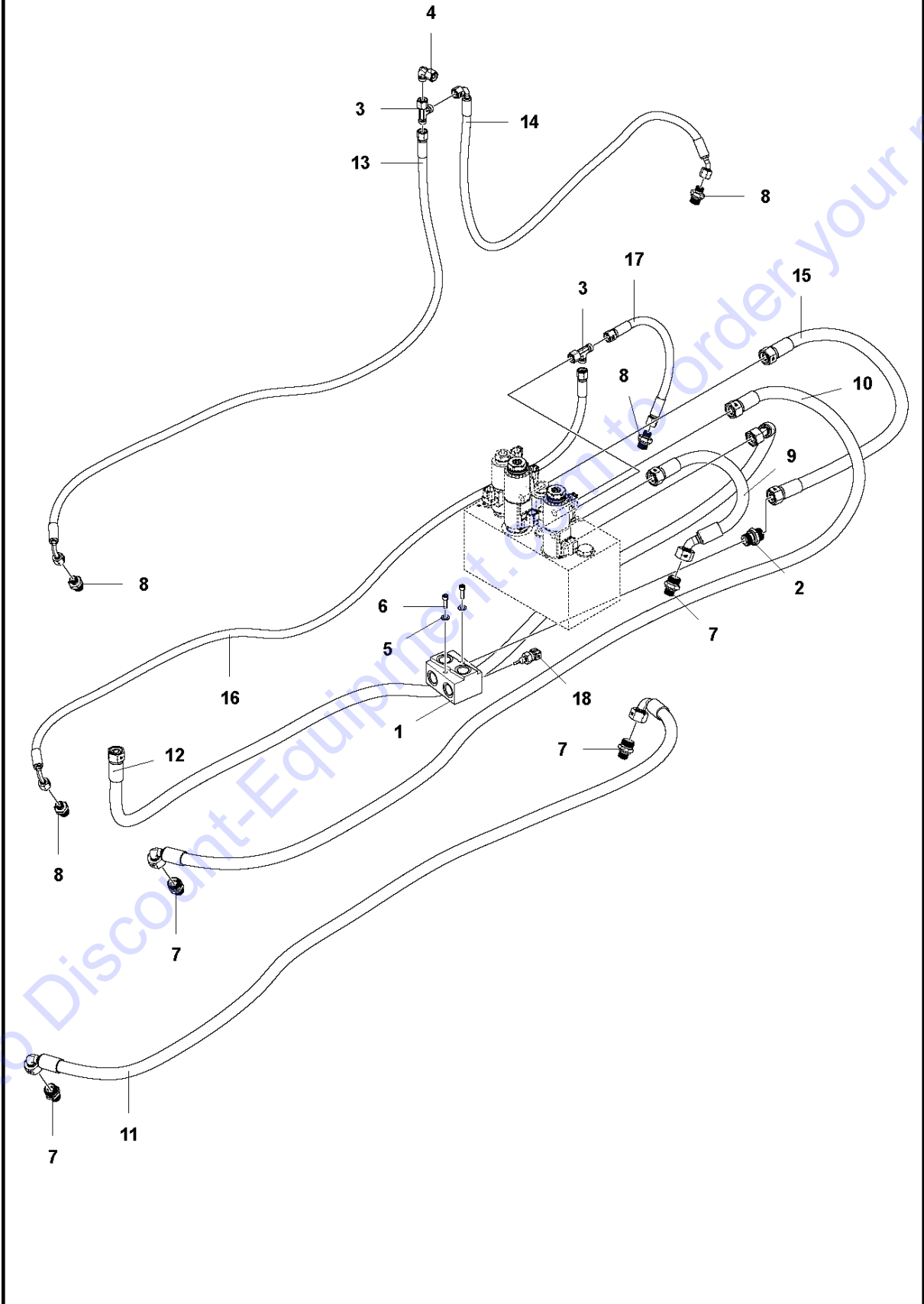
HYDRAULIC HOSES

LP 9505, 967950801, 2021-09

Ref	Part No	Description	Remark	QTY KIT
1	596 88 93-02	NIPPLE	NIPPLE STRAIGHT G1/2 - M30x2	5
2	596 88 93-04	NIPPLE	NIPPLE STRAIGHT G3/4 - M30x2	2
3	596 89 16-04	ELBOW	ELBOW SWIVEL 90° M30x2	1
4	596 89 16-07	ELBOW	ELBOW SWIVEL 45° M30x2	2
5	596 89 34-01	HOSE COUPLING	HOSE COUPLING DIN 90° 5/8 M26x1.5	1
6	596 37 43-01	FITTING	PUMP FITTING	1
7	596 88 93-06	NIPPLE	NIPPLE STRAIGHT G3/8 - M26x1.5	1
8	596 88 90-02	PLUG	PLUG Ø12	1
9	596 88 91-02	NUT	NUT M26x1.5	1
10	595 03 65-01	PLANE WASHER	PLAIN WASHER 0261 1090 00	1
11	596 37 21-01	HYDRAULIC HOSE	HYDRAULIC HOSE	1
12	596 37 22-01	HYDRAULIC HOSE	HYDRAULIC HOSE	1
13	596 37 24-01	HYDRAULIC HOSE	HYDRAULIC HOSE	1
14	596 37 29-01	HYDRAULIC HOSE	HYDRAULIC DRAIN HOSE	1
15	596 37 25-01	HYDRAULIC HOSE	HYDRAULIC HOSE	1
16	596 37 26-01	HYDRAULIC HOSE	HYDRAULIC HOSE	1
17	596 37 27-01	HYDRAULIC HOSE	HYDRAULIC HOSE	1
18	596 89 14-06	HOSE CLAMP	HOSE CLAMP Ø26-28	1
19	596 89 14-05	HOSE CLAMP	HOSE CLAMP Ø23-25	1
20	596 89 36-02	UNIT	UNIT Bulk Head Union M26x1.5	1
21	596 88 96-01	O-RING	O-RING Ø9.1x1.6	1
22	595 11 11-01	SCREW	SCREW HEX SOCKET MC6S M6x14 8.8 fzb	1

Go to Discount-Equipment.com to order your parts

W LP9505
HYDRAULIC HOSES - VIBRATION, BRAKE AND RETURN SYSTEM



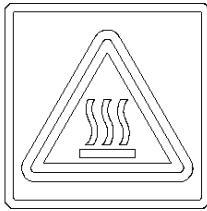
HYDRAULIC HOSES

LP 9505, 967950801, 2021-09

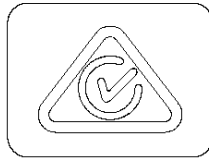
Ref	Part No	Description	Remark	QTY KIT
1	596 37 55-01	BLOCK	HYDRAULIC BLOCK	1
2	596 88 93-03	NIPPLE	NIPPLE STRAIGHT G1/2 - M22x1.5	1
3	596 88 95-01	NIPPLE	NIPPLE L JOINT M14x1,5	2
4	596 89 16-01	ELBOW	ELBOW SWIVEL 90° M14x1,5	1
5	595 03 65-01	PLANE WASHER	PLAIN WASHER	2
6	595 34 80-01	SCREW	SCREW HEX SOCKET	2
7	596 88 93-05	NIPPLE	NIPPLE STRAIGHT G3/8 - M22x1.5	4
8	596 88 93-08	NIPPLE	NIPPLE STRAIGHT G3/8 - M14x1.5	4
9	596 37 13-01	HYDRAULIC HOSE	HYDRAULIC HOSE	1
10	596 37 14-01	HYDRAULIC HOSE	HYDRAULIC HOSE	1
11	596 37 15-01	HYDRAULIC HOSE	HYDRAULIC HOSE	1
12	596 37 28-01	HYDRAULIC HOSE	HYDRAULIC HOSE	1
13	596 37 16-01	HYDRAULIC HOSE	HYDRAULIC HOSE	1
14	596 37 17-01	HYDRAULIC HOSE	HYDRAULIC HOSE	1
15	596 37 18-01	HYDRAULIC HOSE	HYDRAULIC HOSE	1
16	596 37 19-01	HYDRAULIC HOSE	HYDRAULIC HOSE	1
17	596 37 20-01	HYDRAULIC HOSE	HYDRAULIC HOSE	1
18	596 36 56-01	SENSOR	SENSOR Hydraulic Temp Sensor	1

Go to Discount-Equipment.com to order your parts

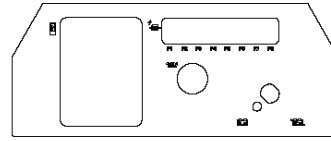
X LP9505
DECALS



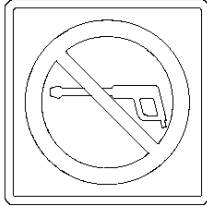
6



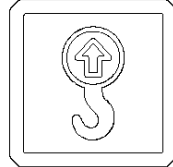
18



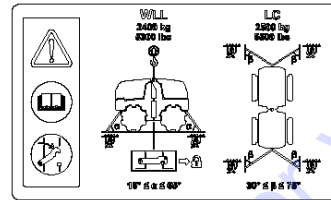
15



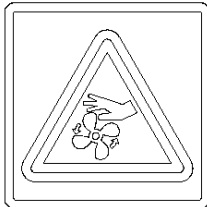
4



1



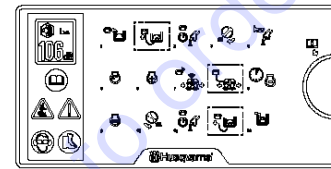
17



8



10



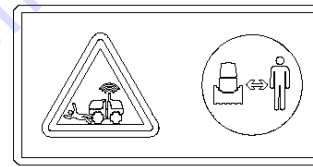
16



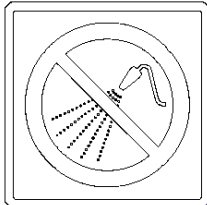
7



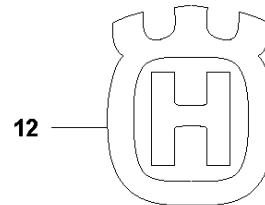
11



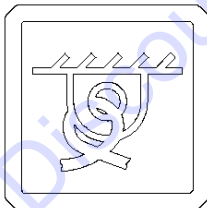
9



5



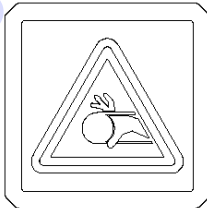
12



2



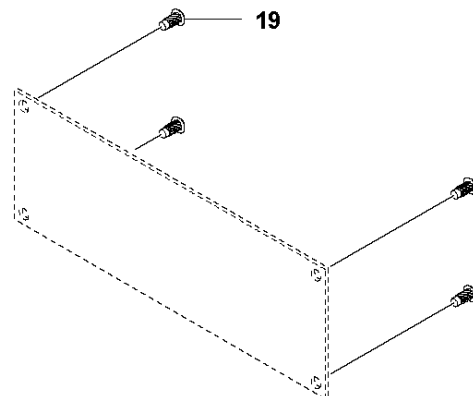
13



3



14



19

Go to Discount-Equipment.com to get your parts

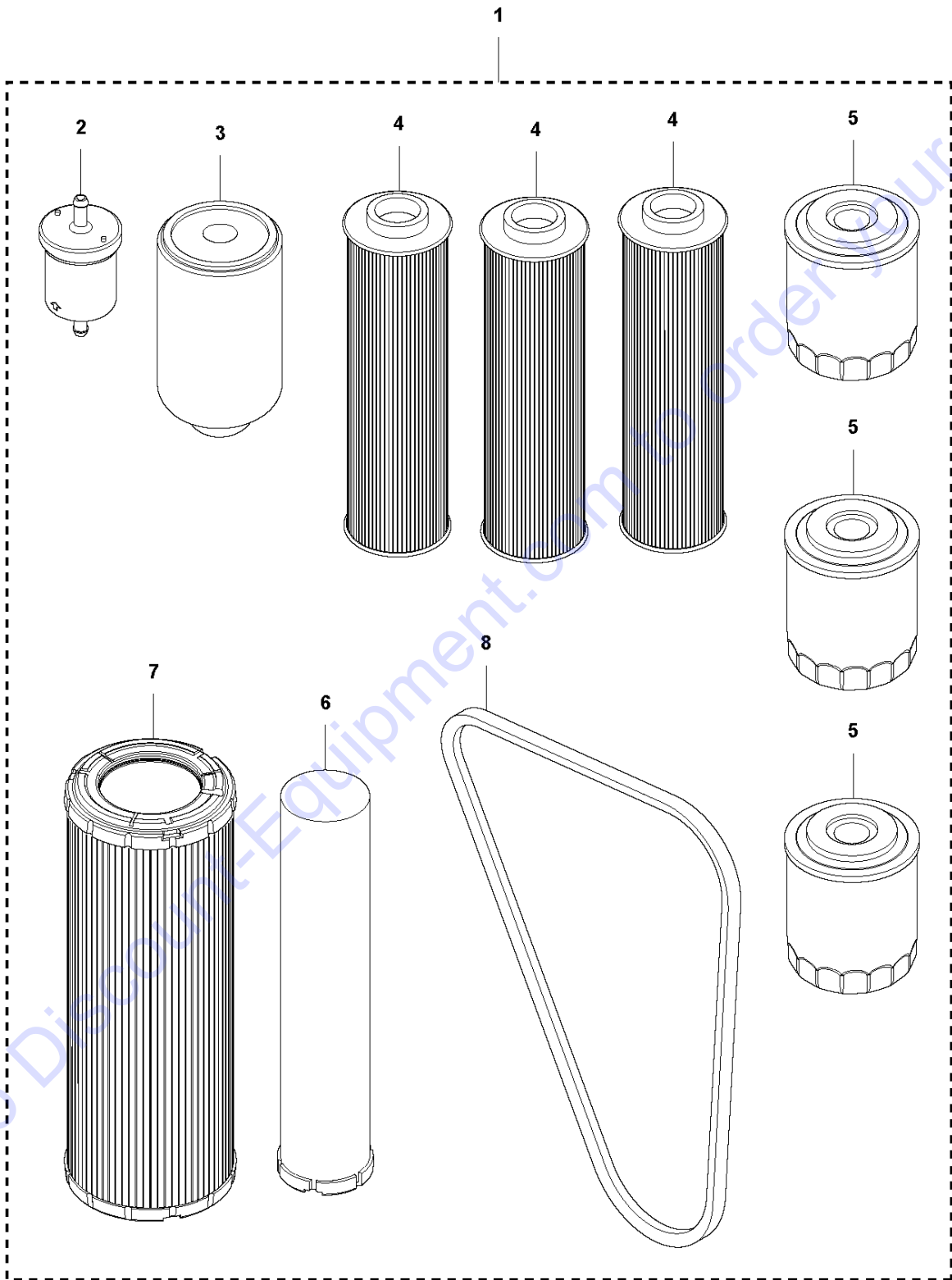
DECALS

LP 9505, 967950801, 2021-09

Ref	Part No	Description	Remark	QTY KIT
1	594 66 09-01	LABEL	LABEL Lifting Point	2
2	594 86 95-01	LABEL	LABEL Securing Point	4
3	594 66 08-01	LABEL	LABEL Safety, Rotating V-Belts	2
4	597 44 73-01	DECAL	DO NOT PRESSURE WASH	2
5	597 44 73-02	DECAL	DO NOT SPRAY WITH WATER	2
6	597 44 73-03	DECAL	HOT SURFACE	3
7	597 44 73-04	DECAL	PRESSURE CAP	1
8	597 44 73-05	DECAL	ROTATING FAN BLADE	1
9	597 44 73-06	DECAL	REMOTE CONTROLLED WARNING	4
10	597 44 73-07	DECAL	ARTICULATION WARNING	4
11	597 44 73-08	DECAL	LIFT AND TRANSPORT WARNING	1
12	585 94 93-01	DECAL	HUSQVARNA CROWN 135	1
13	591 35 74-01	DECAL	HUSQVARNA LOGO	2
14	596 91 25-01	DECAL	DECAL LP9505 Model Code	2
15	596 91 26-01	DECAL	DECAL Overlay electrical panel	1
16	596 91 26-02	DECAL	DECAL Start instruction	1
17	596 91 26-03	DECAL	DECAL Lift and tie down instruction	1
18	596 28 02-01	DECAL	DECAL Compliance RCM	1
19	595 35 10-01	SCREW	DRIVE SCREW	4

Go to Discount-Equipment.com to order your parts

Y LP9505
START UP KIT - KUBOTA



Go to DiggerEquipment.com to order your parts

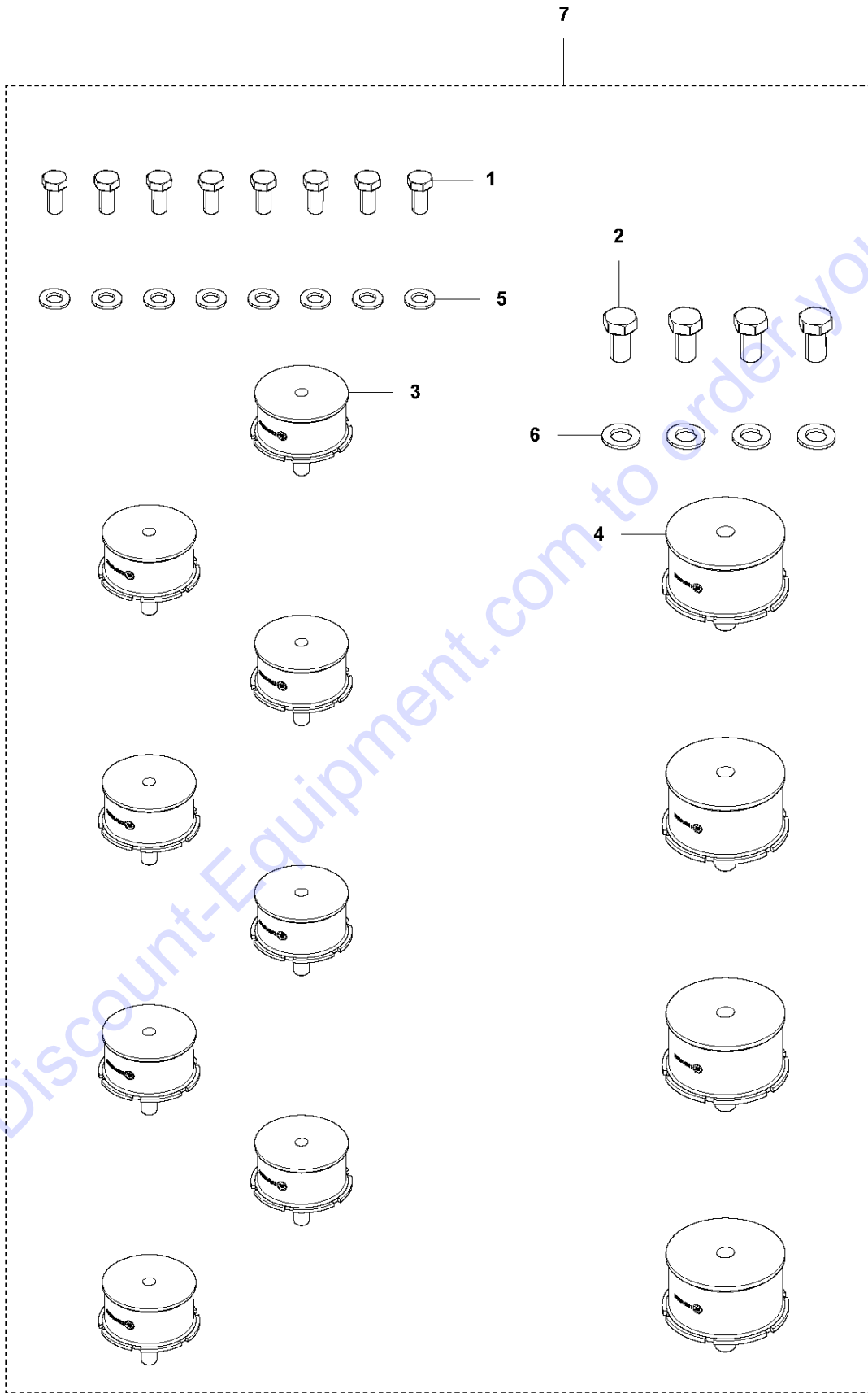
START UP KIT - KUBOTA

LP 9505, 967950801, 2021-09

Ref	Part No	Description	Remark	QTY KIT	
1	597 49 39-01	SERVICE KIT	SERVICE KIT Start up	1	
2	597 44 80-03	FUEL FILTER	Engine fuel filter - pre-fuel filter (ref. 125581-43012)	1	1
3	597 44 80-01	FUEL FILTER	Fuel filter (Donaldson) - ref. P550248	1	1
4	597 44 93-01	OIL FILTER	Hydraulic oil filter (Hydac)	3	1
5	597 44 93-02	OIL FILTER	Engine oil filter (reff. HH160-32093)	3	1
6	597 44 94-01	UNIT	SAFETY ELEMENT	1	1
7	597 44 94-02	UNIT	MAIN ELEMENT	1	1
8	597 44 88-01	V-BELT	V-belt (16282-97013)	1	1

Go to Discount-Equipment.com to order your parts

Z LP9505
SHOCK ABSORBER REPAIR KIT



Go to Discount-Equipment.com to order your parts

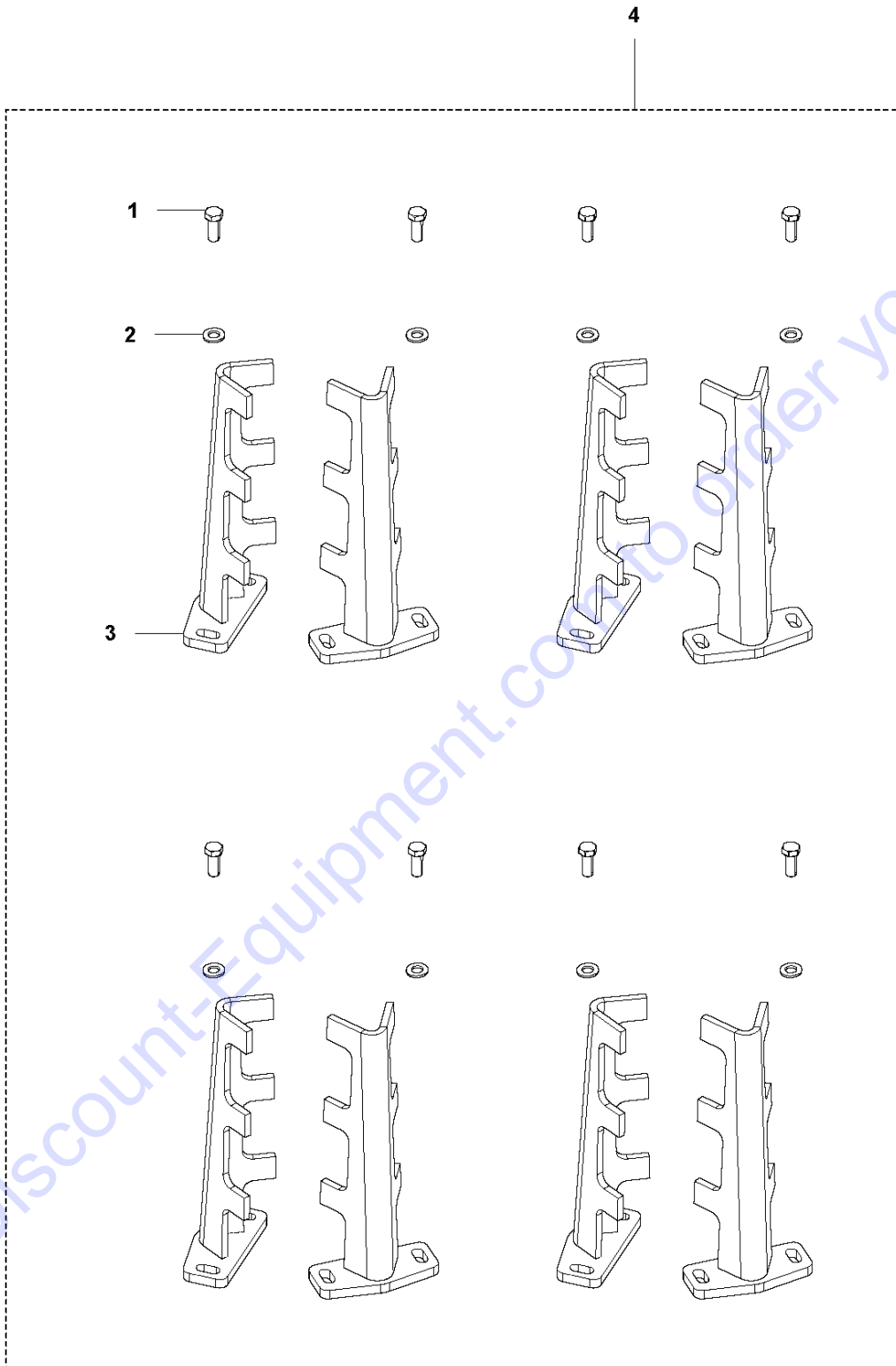
SHOCK ABSORBER REPAIR KIT

LP 9505, 967950801, 2021-09

Ref	Part No	Description	Remark	QTY	KIT
1	595 34 53-01	SCREW	SCREW Hex. Head	8	7
2	596 88 97-12	SCREW	SCREW Hex. Head M6S M16x30 8.8 fzb	4	7
3	596 37 52-01	DAMPER	DAMPER Rubber damper	8	7
4	596 37 51-01	DAMPER	DAMPER Rubber damper	4	7
5	595 11 34-01	WASHER	WASHER	8	7
6	595 03 67-01	WASHER	WASHER	4	7
7	599 61 12-01	REPAIR KIT			1

Go to Discount-Equipment.com to order your parts

AA LP9505
DRUM REPAIR KIT - (850 mm / 33.46 in.)



Go to Discount-Equipment.com to order your parts

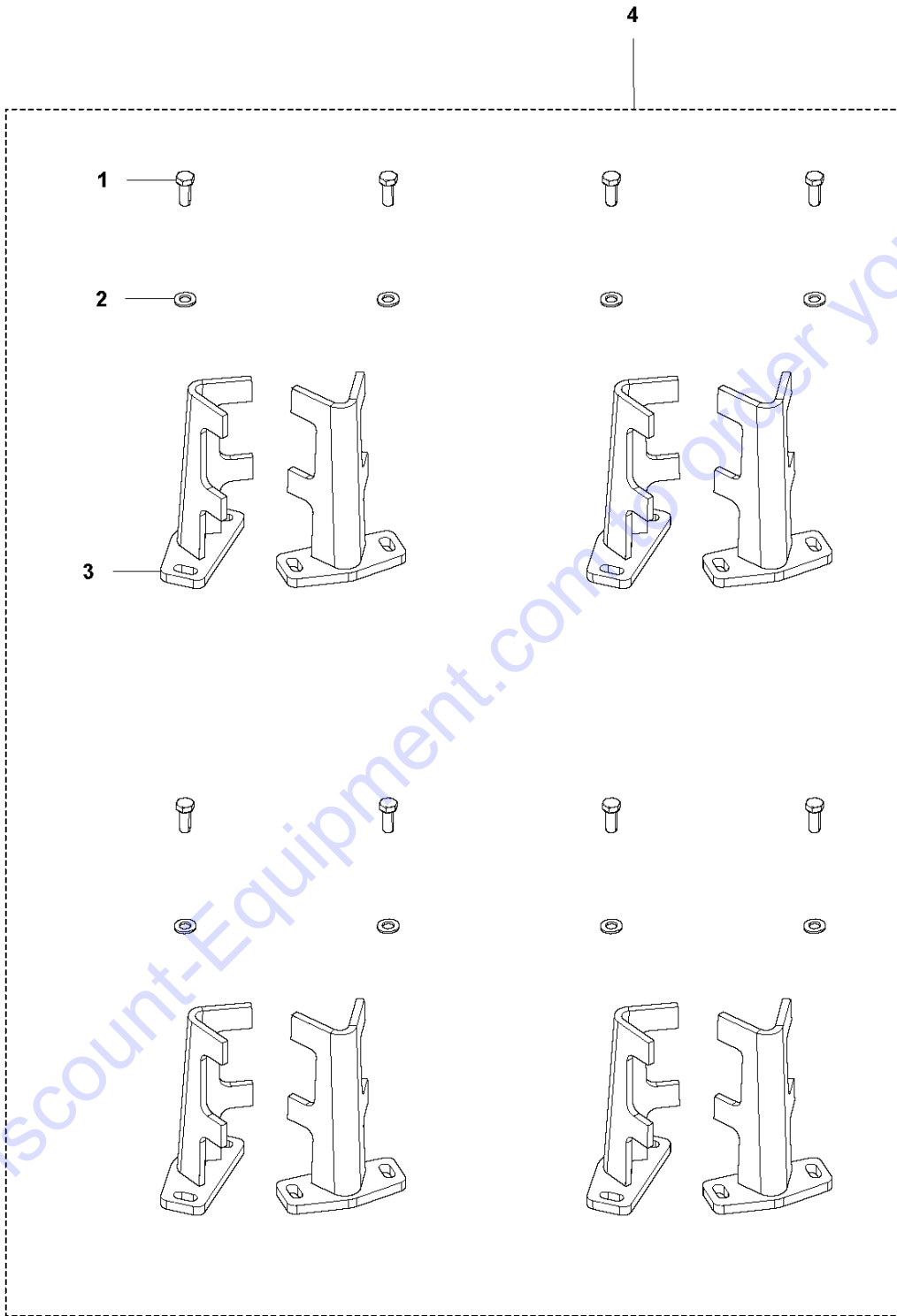
DRUM REPAIR KIT

LP 9505, 967950801, 2021-09

Ref	Part No	Description	Remark	QTY KIT
1	594 11 90-01	BOLT	BOLT Hexagon Head M12X30 DIN933 8.8 FZB	16 4
2	595 11 34-01	WASHER	PLAIN WASHER	16 4
3	596 37 92-01	SCRAPER	SCRAPER 850 MM	8 4
4	599 14 36-02	SCRAPER		1

Go to Discount-Equipment.com to order your parts

AB LP9505
DRUM REPAIR KIT - (630 mm / 24.80 in.)



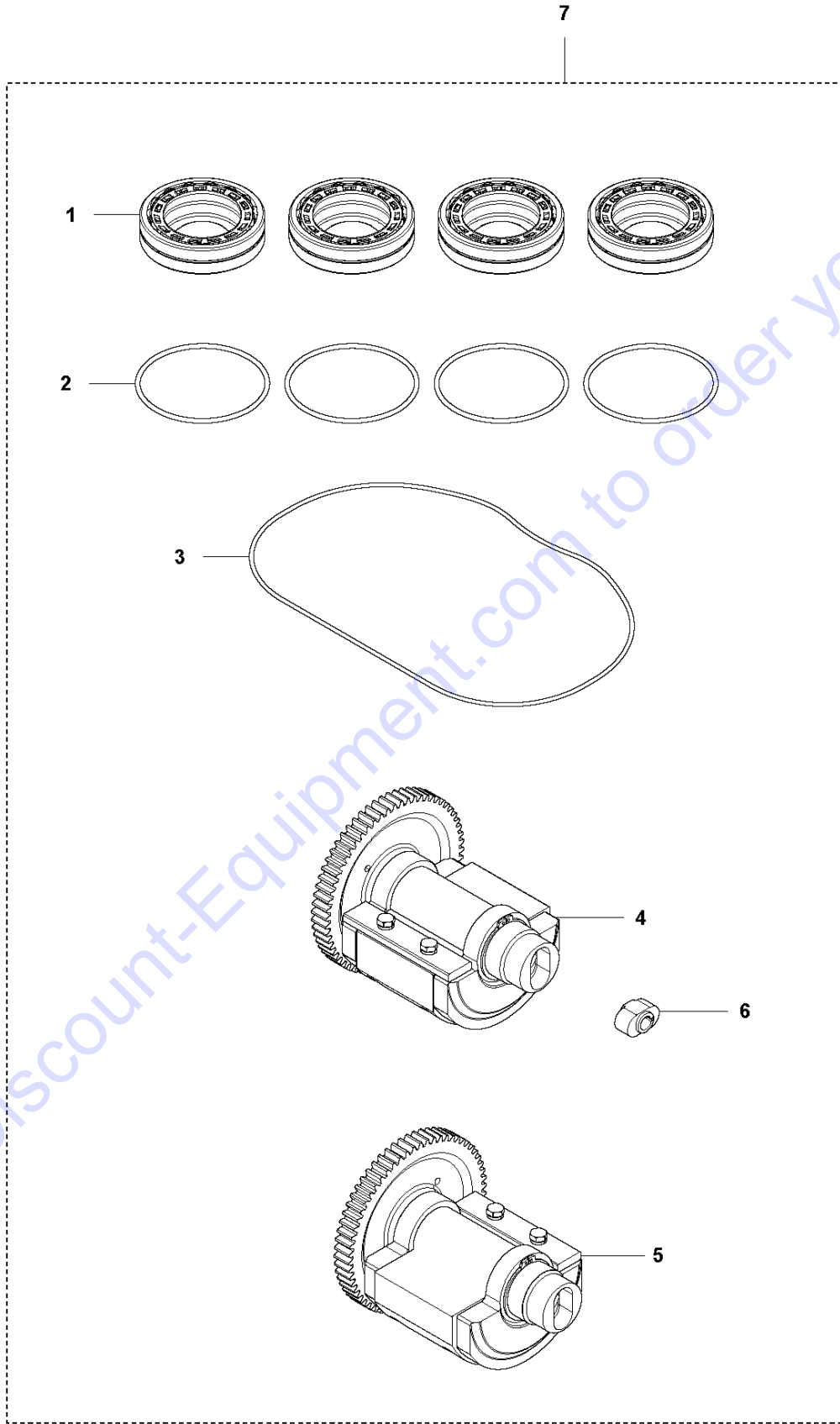
DRUM REPAIR KIT

LP 9505, 967950801, 2021-09

Ref	Part No	Description	Remark	QTY KIT
1	594 11 90-01	BOLT	BOLT Hexagon Head M12X30 DIN933 8.8 FZB	16 4
2	595 11 34-01	WASHER	PLAIN WASHER	16 4
3	596 37 93-01	DRUM	SCRAPER 630 MM	8 4
4	599 14 36-01	SCRAPER		1

Go to Discount-Equipment.com to order your parts

AC LP9505
ECCENTRIC ELEMENT REPAIR KIT



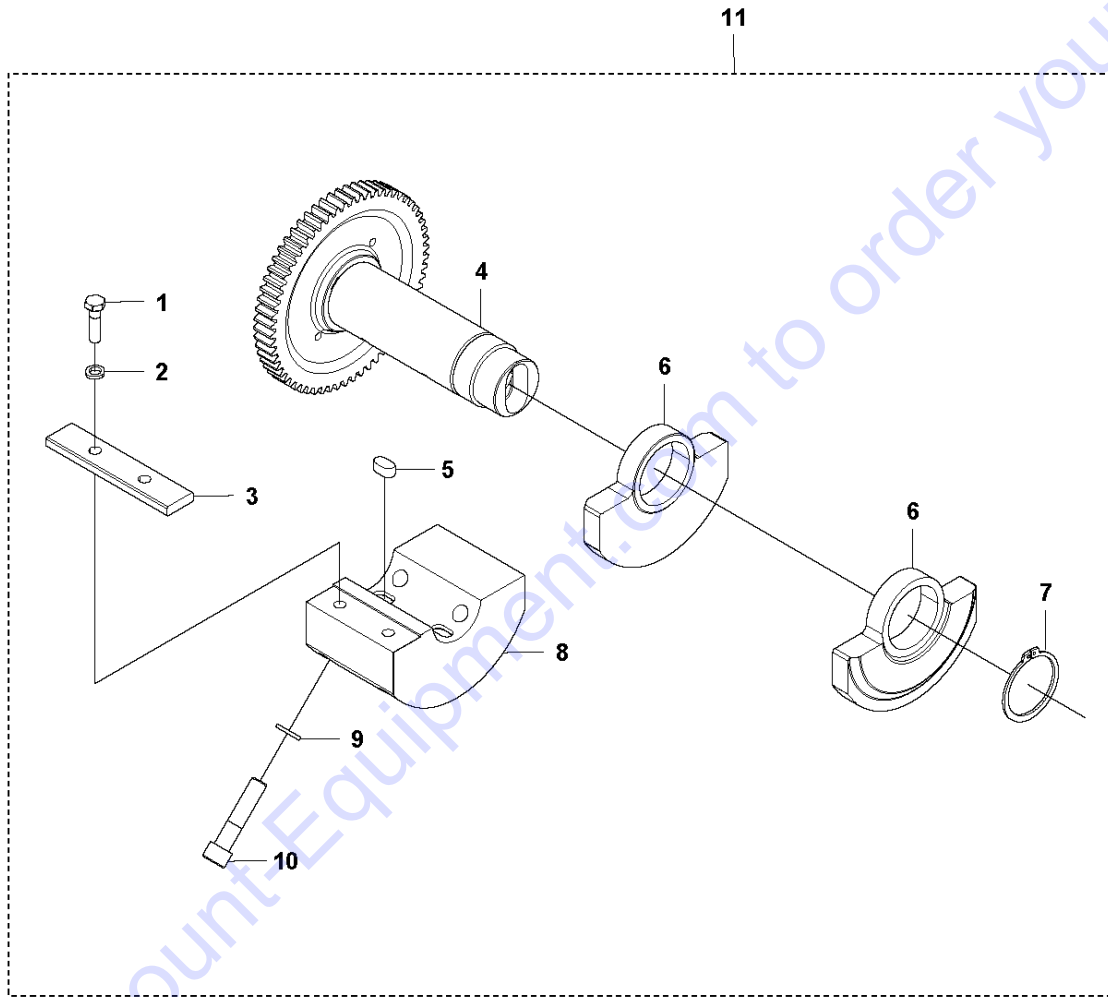
ECCENTRIC ELEMENT REPAIR KIT

LP 9505, 967950801, 2021-09

Ref	Part No	Description	Remark	QTY KIT
1	596 38 34-01	ROLLER BEARING	Spherical roller bearing - Timken 21309 EJW 33 C3	4
2	596 88 96-04	O-RING	O-RING Ø100x3	4
3	597 44 78-01	O-RING	O-RING Ø290x3	1
4	599 40 72-01	SHAFT ASSY		1
5	599 40 72-02	SHAFT ASSY	ECCENTRIC WEIGHTS and gear cpl. repair kit	1
6	596 37 54-01	COUPLING		1
7	597 54 25-04	SERVICE KIT		1

Go to Discount-Equipment.com to order your parts

AD LP9505
ECCENTRIC SHAFT ASSEMBLY



Go to Discount-Equipment.com to order your parts

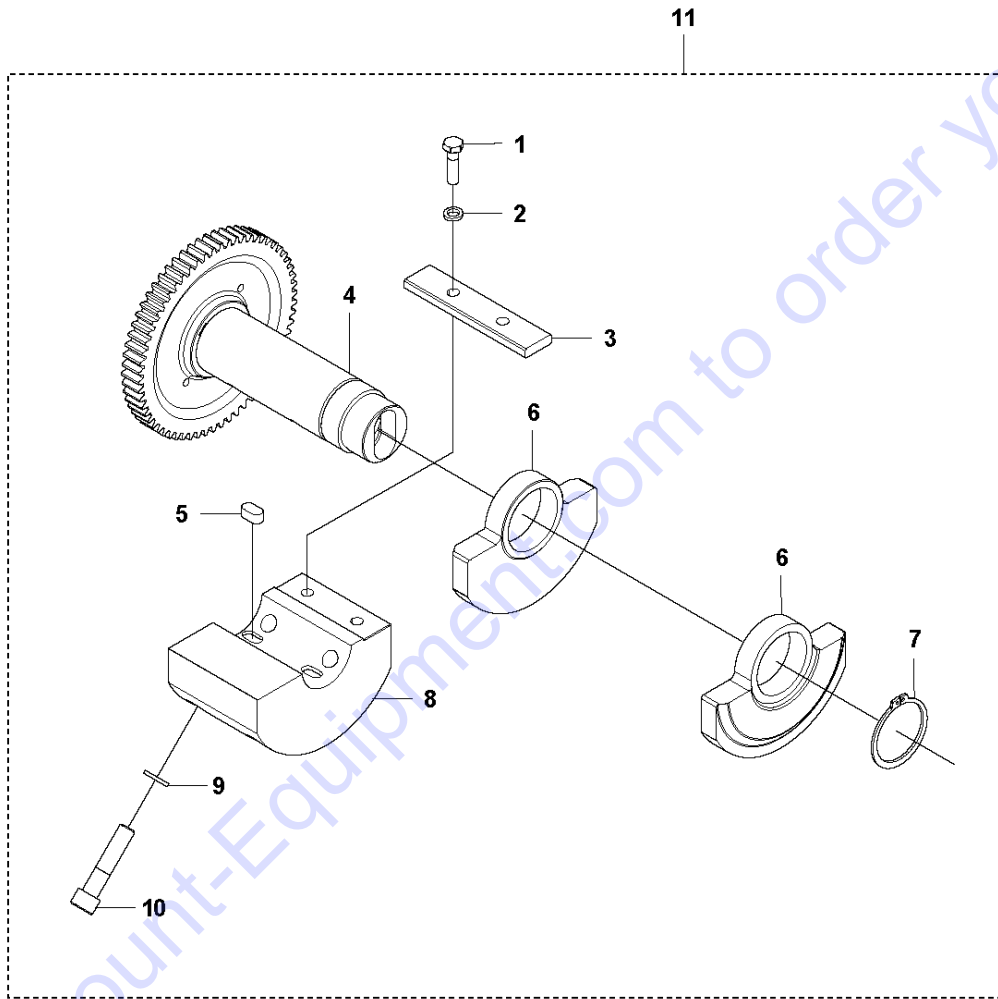
ECCENTRIC ELEMENT REPAIR KIT

LP 9505, 967950801, 2021-09

Ref	Part No	Description	Remark	QTY	KIT
1	595 34 43-01	SCREW		2	11
2	595 04 39-01	WASHER		2	11
3	597 31 21-02	PLATE		1	11
4	529 87 27-01	SHAFT		1	11
5	596 89 35-01	KEY		3	11
6	599 32 14-02	WEIGHT		2	11
7	596 88 88-01	CIRCLIP		1	11
8	599 32 14-01	WEIGHT		1	11
9	595 11 89-01	LOCKWASHER		4	11
10	594 74 69-01	SCREW		4	11
11	599 40 72-01	SHAFT ASSY		1	

Go to Discount-Equipment.com to order your parts

AE LP9505
ECCENTRIC SHAFT ASSEMBLY



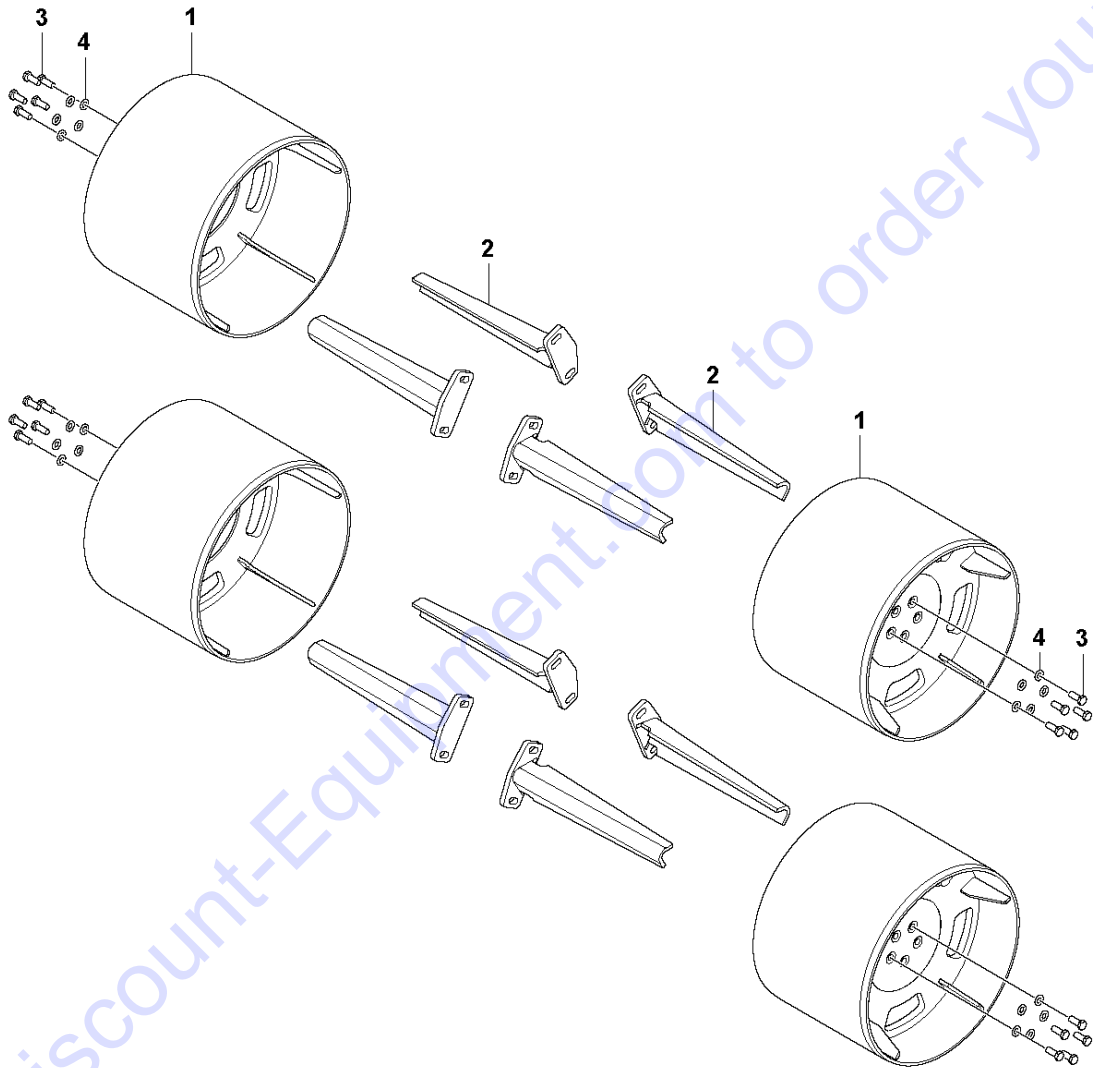
ECCENTRIC ELEMENT REPAIR KIT

LP 9505, 967950801, 2021-09

Ref	Part No	Description	Remark	QTY	KIT
1	595 34 43-01	SCREW		2	11
2	595 04 39-01	WASHER		2	11
3	597 31 21-02	PLATE		1	11
4	529 87 27-01	SHAFT		1	11
5	596 89 35-01	KEY		3	11
6	599 32 14-02	WEIGHT		2	11
7	596 88 88-01	CIRCLIP		1	11
8	599 32 14-01	WEIGHT		1	11
9	595 11 89-01	LOCKWASHER		4	11
10	594 74 69-01	SCREW		4	11
11	599 40 72-02	SHAFT ASSY		1	

Go to Discount-Equipment.com to order your parts

AF LP9505
SMOOTH DRUM KIT



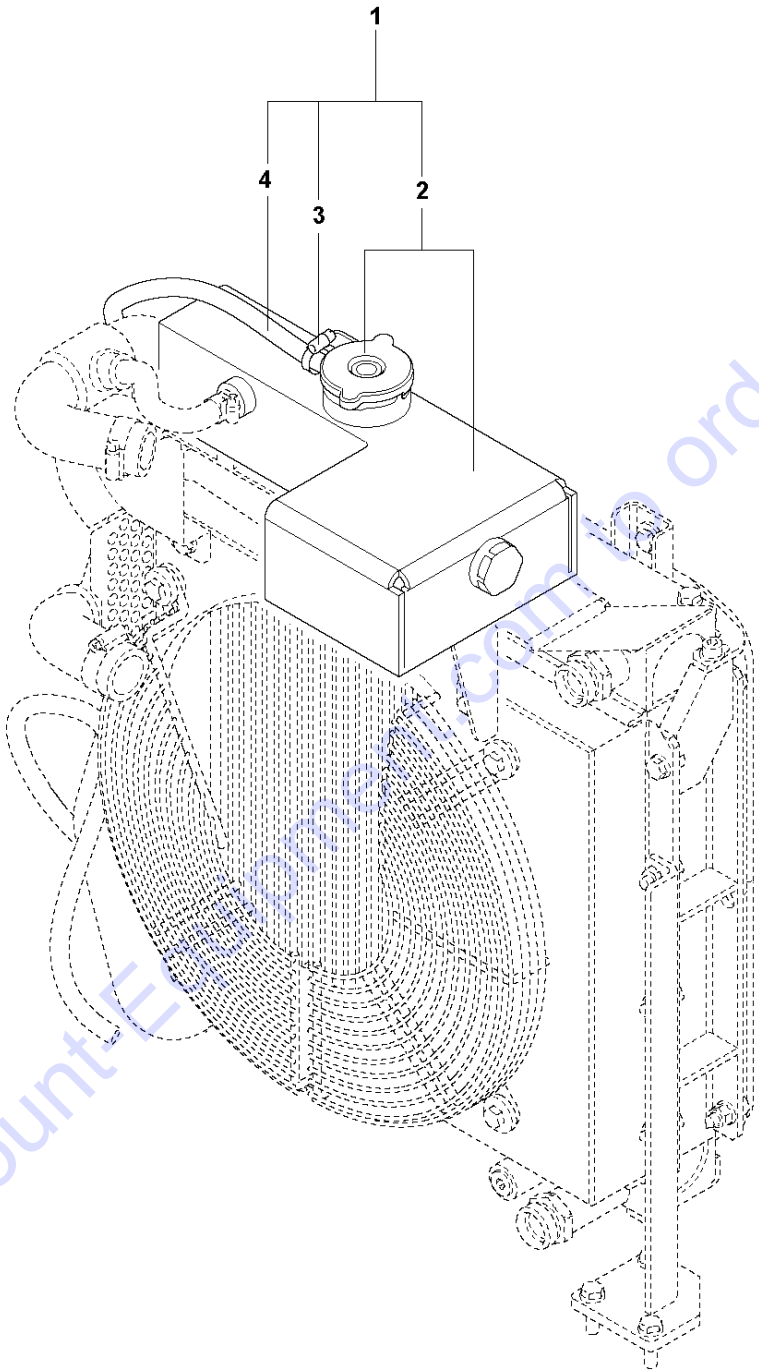
SMOOTH DRUMS KIT

LP 9505, 967950801, 2021-09

Ref	Part No	Description	Remark	QTY KIT
2	529 80 32-01	SCRAPER		8
3	594 11 90-01	BOLT		16
4	595 11 34-01	WASHER		16
1	599 70 02-01	DRUM		4

Go to Discount-Equipment.com to order your parts

AG LP9505
RETROFIT KIT



Go to DiscountEPC.com to order your parts

Ref	Part No	Description	Remark	QTY	KIT
1	535 61 09-01	EXPANSION TANK SYSTEM	RETROFIT KIT	1	
2	535528301	TBD		1	1
3	595 45 46-01	CLAMP		1	1
4	596 38 35-03	BREATHER		1	1

Go to Discount-Equipment.com to order your parts

PARTS FINDER

**Search Website
by Part Number**



**Search Manual
Library For Parts
Manual & Lookup Part
Numbers – Purchase
or Request Quote**

Search Manuals

Enter your information to help us locate the right manual or parts for your machine.

* Brand:

* Model:

* Serial:

* Part Number:

* Submit

**Can't Find Part or
Manual? Request Help
by Manufacturer,
Model & Description**

Parts Order Form

Please fill in the following information to help us locate the right part or manual for your machine.

Manufacturer:	<input type="text"/>
Model:	<input type="text"/>
Description:	<input type="text"/>
Part Number:	<input type="text"/>
Quantity:	<input type="text"/>
Price:	<input type="text"/>
Notes:	<input type="text"/>

Discount-Equipment.com is your online resource for quality parts & equipment.

Florida: **561-964-4949** Outside Florida TOLL FREE: **877-690-3101**

Need parts?

Click on this link: <http://www.discount-equipment.com/category/5443-parts/> and choose one of the options to help get the right parts and equipment you are looking for. Please have the machine model and serial number available in order to help us get you the correct parts. If you don't find the part on the website or on one of the online manuals, please fill out the request form and one of our experienced staff members will get back to you with a quote for the right part that your machine needs.

We sell worldwide for the brands: Genie, Terex, JLG, MultiQuip, Mikasa, Essick, Whiteman, Mayco, Toro Stone, Diamond Products, Generac Magnum, Airman, Haulotte, Barreto, Power Blanket, Nifty Lift, Atlas Copco, Chicago Pneumatic, Allmand, Miller Curber, Skyjack, Lull, Skytrak, Tsurumi, Husquvarna Target, Stow, Wacker, Sakai, Mi-T-M, Sullair, Basic, Dynapac, MBW, Weber, Bartell, Bennar Newman, Haulotte, Ditch Runner, Menegotti, Morrison, Contec, Buddy, Crown, Edco, Wyco, Bomag, Laymor, EZ Trench, Bil-Jax, F.S. Curtis, Gehl Pavers, Heli, Honda, ICS/PowerGrit, IHI, Partner, Imer, Clipper, MMD, Koshin, Rice, CH&E, General Equipment, Amida, Coleman, NAC, Gradall, Square Shooter, Kent, Stanley, Tamco, Toku, Hatz, Kohler, Robin, Wisconsin, Northrock, Oztec, Toker TK, Rol-Air, APT, Wylie, Ingersoll Rand / Doosan, Innovatech, Con X, Ammann, Mecalac, Makinex, Smith Surface Prep, Small Line, Wanco, Yanmar