



SPARE PARTS LIST

LIGHT COMPACTION

LG 400, 967855401, 967855402,
967896401, 967896403, 2019-08

Go to Discount-Equipment.com to order your parts

PARTS FINDER

**Search Website
by Part Number**



**Search Manual
Library For Parts
Manual & Lookup Part
Numbers – Purchase
or Request Quote**

Search Manuals

Enter your information to help us find the right parts manual for your machine.

* Brand:

* Model:

* Serial:

* Part Number:

SEARCH

**Can't Find Part or
Manual? Request Help
by Manufacturer,
Model & Description**

Parts Order Form

Please fill in the following information to help us find the right part for your machine.

Manufacturer:	<input type="text"/>
Model:	<input type="text"/>
Description:	<input type="text"/>
Part Number:	<input type="text"/>
Quantity:	<input type="text"/>
Notes:	<input type="text"/>

Submit

Discount-Equipment.com is your online resource for quality parts & equipment.

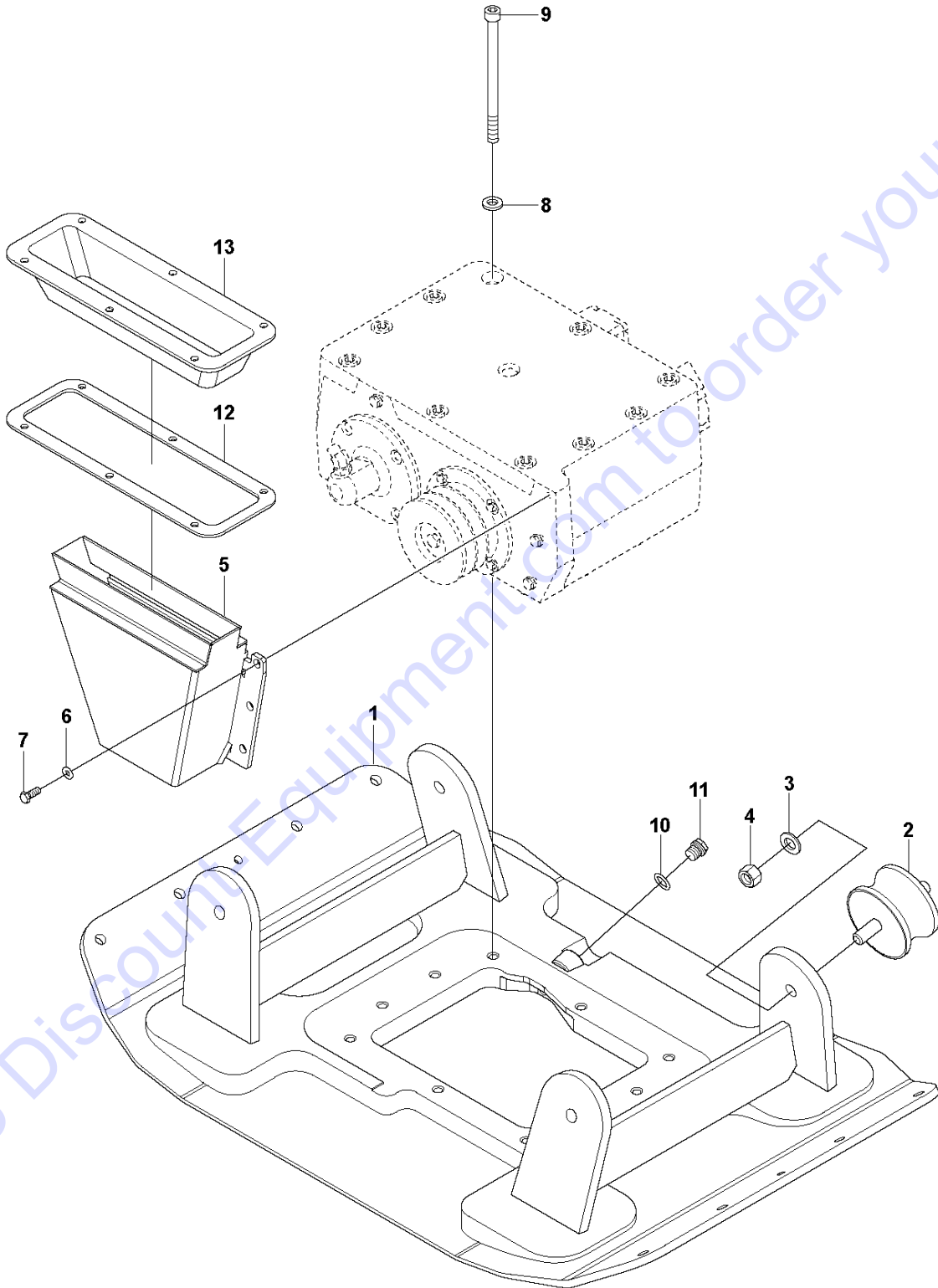
Florida: **561-964-4949** Outside Florida TOLL FREE: **877-690-3101**

Need parts?

Click on this link: <http://www.discount-equipment.com/category/5443-parts/> and choose one of the options to help get the right parts and equipment you are looking for. Please have the machine model and serial number available in order to help us get you the correct parts. If you don't find the part on the website or on one of the online manuals, please fill out the request form and one of our experienced staff members will get back to you with a quote for the right part that your machine needs.

We sell worldwide for the brands: Genie, Terex, JLG, MultiQuip, Mikasa, Essick, Whiteman, Mayco, Toro Stone, Diamond Products, Generac Magnum, Airman, Haulotte, Barreto, Power Blanket, Nifty Lift, Atlas Copco, Chicago Pneumatic, Allmand, Miller Curber, Skyjack, Lull, Skytrak, Tsurumi, Husquvarna Target, Stow, Wacker, Sakai, Mi-T-M, Sullair, Basic, Dynapac, MBW, Weber, Bartell, Bennar Newman, Haulotte, Ditch Runner, Menegotti, Morrison, Contec, Buddy, Crown, Edco, Wyco, Bomag, Laymor, EZ Trench, Bil-Jax, F.S. Curtis, Gehl Pavers, Heli, Honda, ICS/PowerGrit, IHI, Partner, Imer, Clipper, MMD, Koshin, Rice, CH&E, General Equipment, Amida, Coleman, NAC, Gradall, Square Shooter, Kent, Stanley, Tamco, Toku, Hatz, Kohler, Robin, Wisconsin, Northrock, Oztec, Toker TK, Rol-Air, APT, Wylie, Ingersoll Rand / Doosan, Innovatech, Con X, Ammann, Mecalac, Makinex, Smith Surface Prep, Small Line, Wanco, Yanmar

A LG 400
GROUND PLATE & ECCENTRIC ELEMENT INSTALLATION



Go to DiscountEquipment.com to order your parts

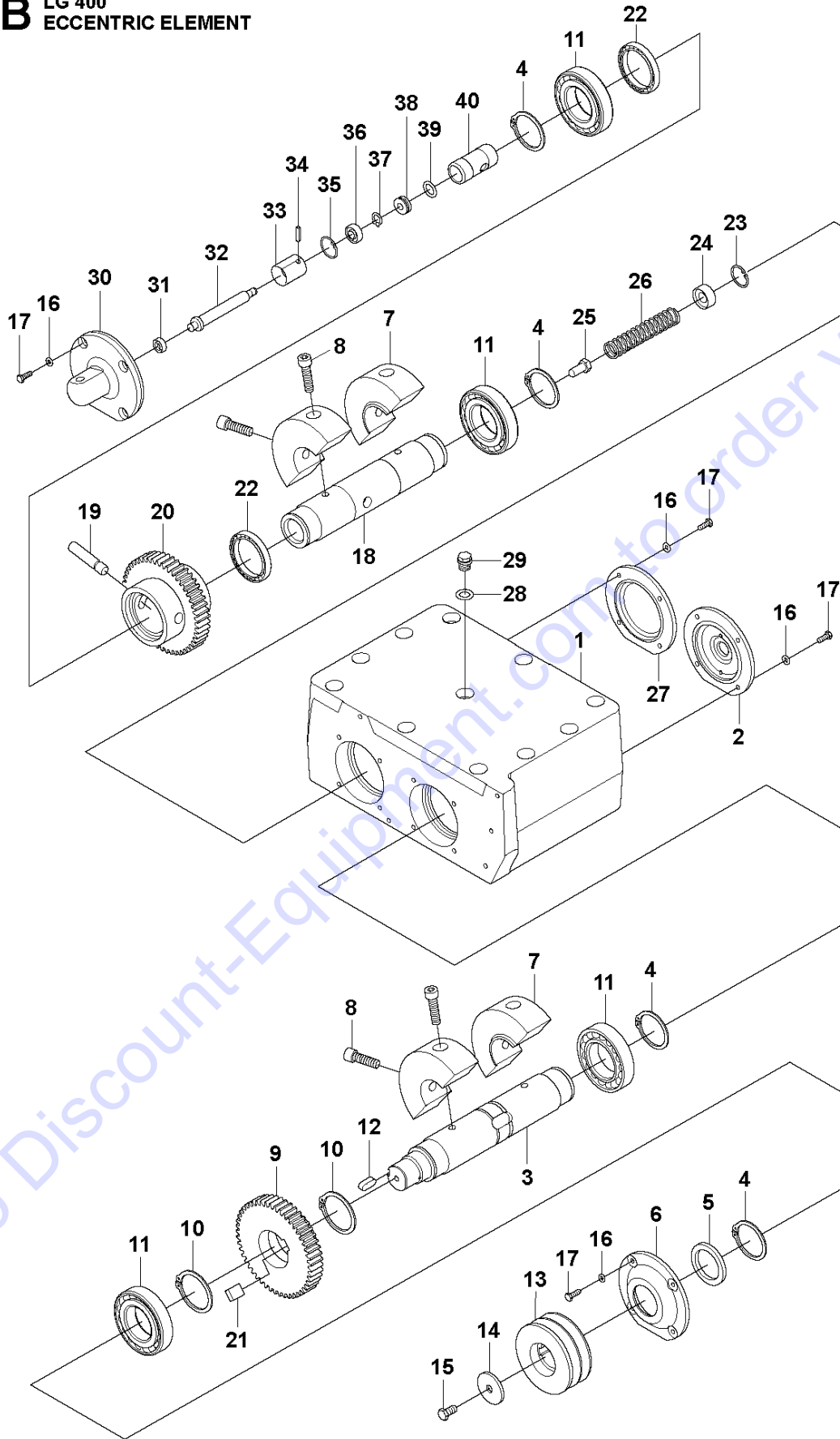
GROUND PLATE & ECCENTRIC ELEMENT INSTALLATION
 967896401, 967896403, 2019-08

LG 400, 967855401, 967855402,

Ref	Part No	Description	Remark	QTY KIT
1	594 64 66-01	GROUND PLATE		1
2	594 32 32-01	ABSORBER		4
3	595 03 67-01	WASHER	17 x 30 x 3 mm, 0.70 x 1.18 x 0.12 in. 300 HV	4
4	595 03 58-01	NUT	M16 A3K	4
5	594 16 44-01	BELT GUARD		1
6	595 03 66-01	WASHER	8.4 x 16 x 1.5 mm, 0.33 x 0.63 x 0.06 in. 300 HV	5
7	594 11 79-01	SCREW	M8 x 20 mm 8.8 A2K	5
8	595 06 79-01	WASHER		10
9	594 83 69-01	SCREW		10
10	595 04 78-01	GASKET		1
11	595 04 83-01	PLUG		1
12	594 75 30-01	FLANGE		1
13	594 16 45-01	PROTECTION		1

Go to Discount-Equipment.com to order your parts

B LG 400
ECCENTRIC ELEMENT



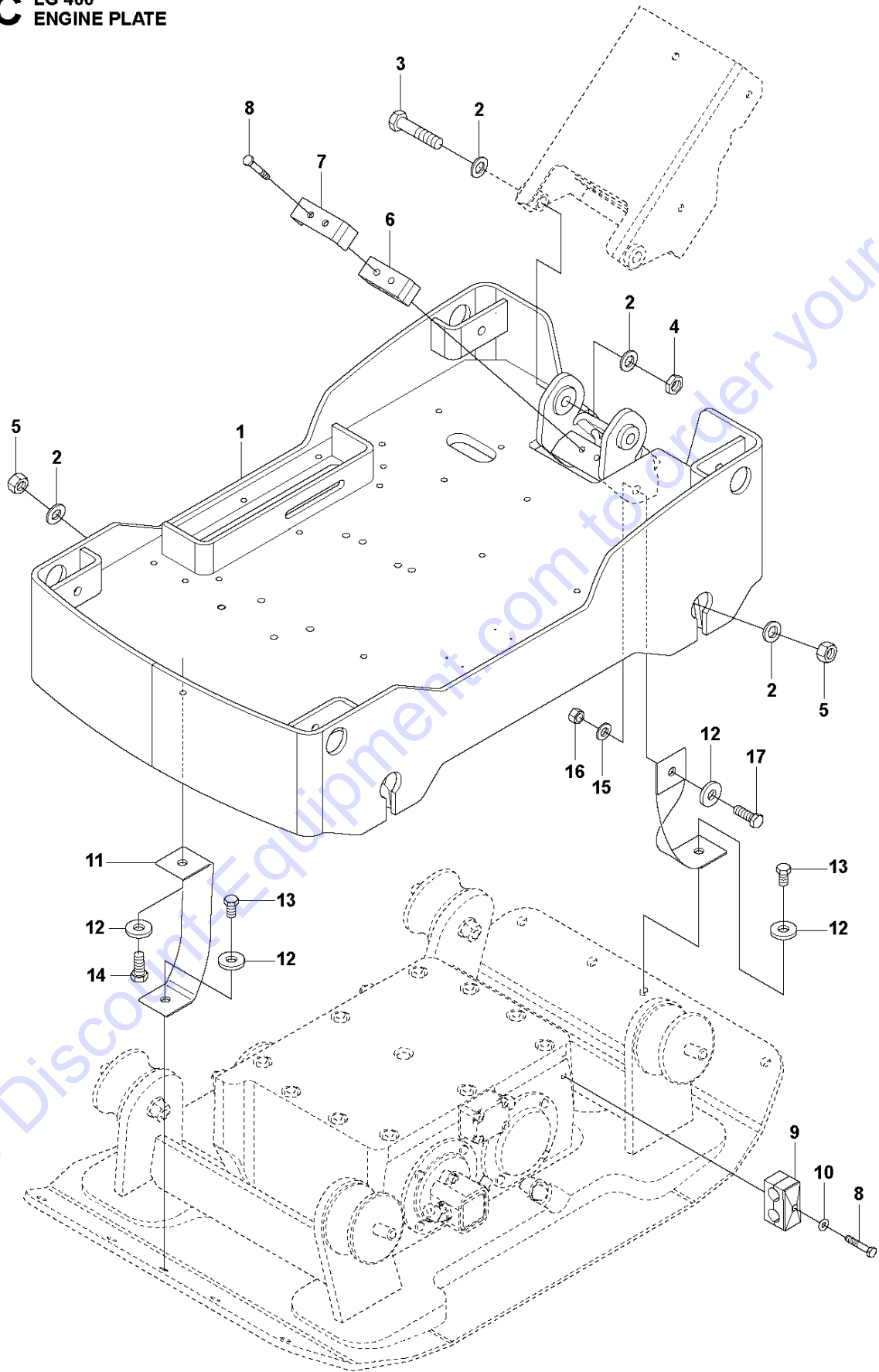
ECCENTRIC ELEMENT

LG 400, 967855401, 967855402, 967896401, 967896403, 2019-08

Ref	Part No	Description	Remark	QTY KIT
1	596 65 47-01	HOUSING		1
2	594 43 50-01	COVER		1
3	594 43 06-01	SHAFT		1
4	594 26 59-01	RING		4
5	594 54 74-01	SEALING		1
6	594 43 51-01	COVER		1
7	594 49 22-01	EXCENTER		4
8	594 54 72-01	SCREW		8
9	594 43 20-01	GEAR		1
10	595 14 45-01	SNAP RING		2
11	594 54 69-01	ROLLER BEARING		4
12	594 54 70-01	KEY		1
13	594 42 96-01	PULLEY		1
14	594 32 16-01	WASHER		1
15	595 05 52-01	SCREW		1
16	595 18 68-01	WASHER		16
17	595 05 50-01	SCREW		16
18	594 64 42-01	SHAFT		1
19	594 32 22-01	PIN		1
20	594 64 47-01	GEAR		1
21	594 32 30-01	KEY		1
22	594 54 76-01	BALL BEARING		2
23	595 18 94-01	SNAP RING		1
24	594 32 28-01	STOP		1
25	594 32 29-01	SCREW		1
26	594 54 78-01	SPRING		1
27	594 43 52-01	COVER		1
28	595 04 78-01	GASKET		1
29	595 04 83-01	PLUG		1
30	594 64 29-01	HYDRAULIC CYLINDER		1
31	594 33 22-01	SEALING		1
32	594 18 30-01	PISTON ROD		1
33	594 64 30-01	CAP		1
34	595 06 26-01	PIN		1
35	594 26 64-01	RING		1
36	594 64 75-01	BALL BEARING		1
37	594 26 56-01	RING		1
38	594 64 76-01	BALL BEARING		1
39	594 64 77-01	SPRING WASHER		1
40	594 64 34-01	PISTON		1

Go to Discount-Equipment.com to order your parts

C LG 400
ENGINE PLATE



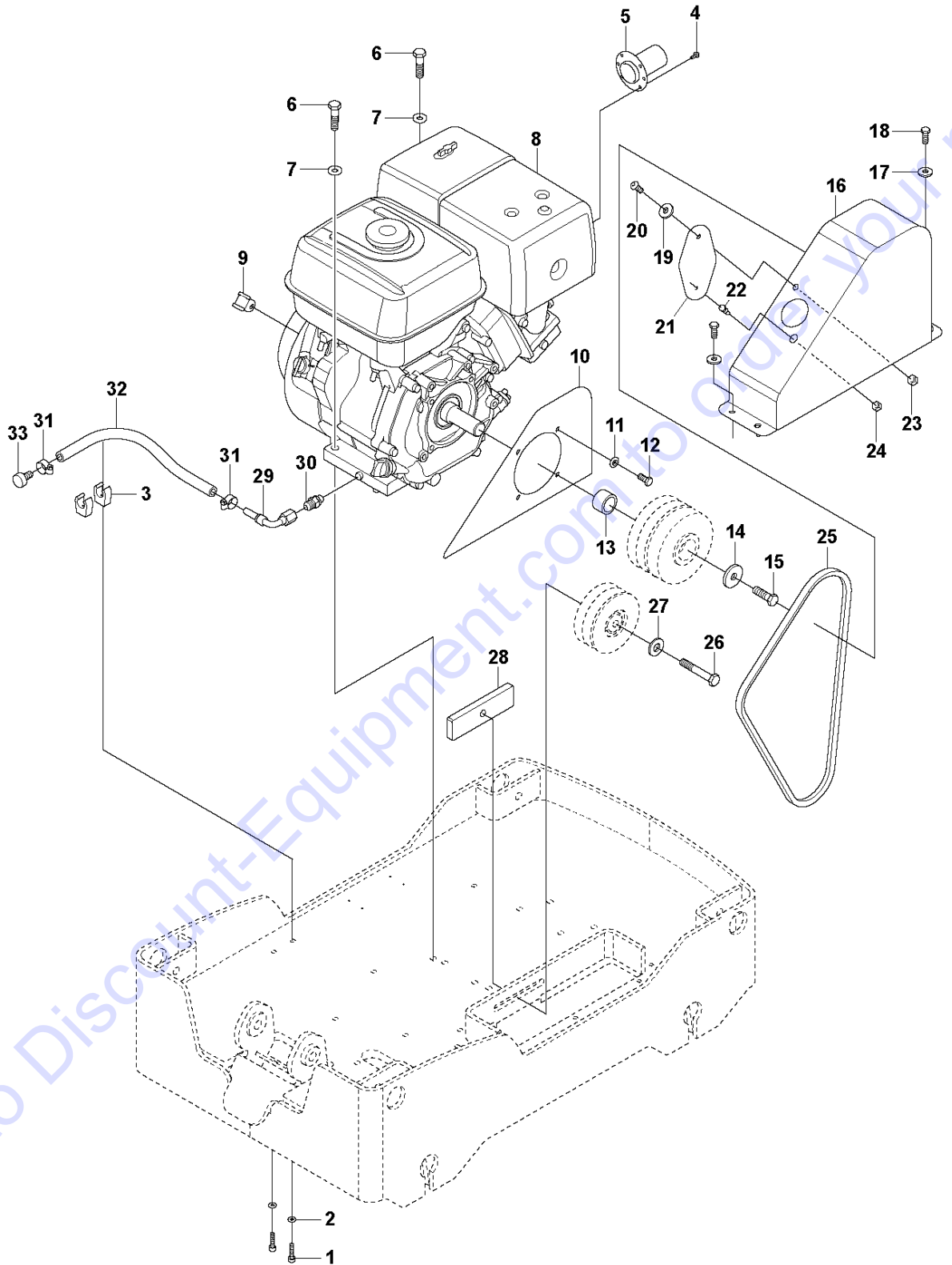
ENGINE PLATE

LG 400, 967855401, 967855402, 967896401, 967896403, 2019-08

Ref	Part No	Description	Remark	QTY KIT
1	595 11 93-01	ENGINE PLATE		1
2	595 03 67-01	WASHER	17 x 30 x 3 mm, 0.70 x 1.18 x 0.12 in. 300 HV	8
3	595 07 05-01	SCREW	M16 x 75 mm 10.9 GEOMET®	2
4	595 05 97-01	NUT	M16x2,00, -5, A3K	2
5	595 03 58-01	NUT	M16x2,00, -8, A3K	4
6	594 32 40-01	BLOCK		1
7	594 14 74-01	BRACKET		1
8	595 28 71-01	SCREW	M8 x 55 mm 8.8 A2K	3
9	594 45 52-01	HOSE		1
10	595 03 66-01	WASHER	8.4 x 16 x 1.5 mm, 0.33 x 0.63 x 0.06 in. 300 HV	1
11	594 14 30-01	STRAP		2
12	594 12 40-01	WASHER	13 x 36 x 6 mm, 0.51 x 1.42 x 0.24 in. 300 HV	4
13	595 34 52-01	BOLT	M8 x 20 mm 8.8 A2K	2
14	595 05 53-01	SCREW	M12x025H, 8.8, A3K	1
15	595 06 68-01	WASHER	13 x 24 x 2 mm, 0.51 x 0.98 x 0.08 in. 300 HV	1
16	595 35 18-01	NUT	M12x1,75, -8, A3K	1
17	595 11 03-01	SCREW	M12 x 35 mm 8.8 A3K	1

Go to Discount-Equipment.com to order your parts

D LG 400
ENGINE INSTALLATION - HONDA

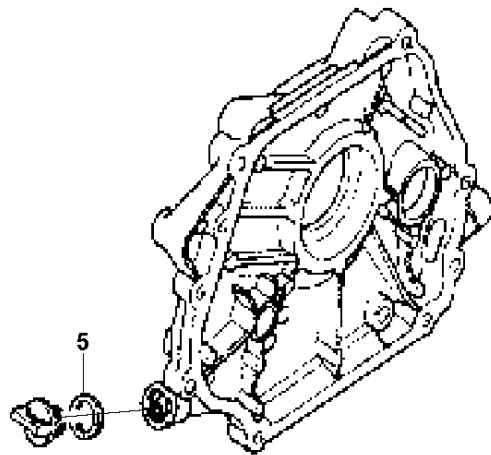
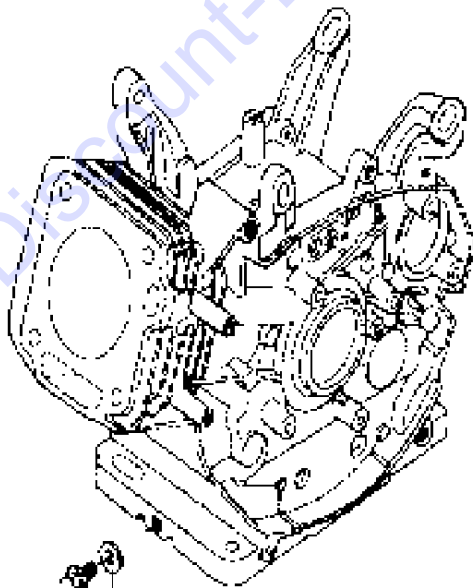
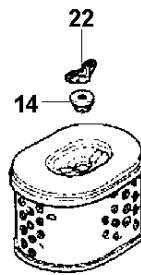
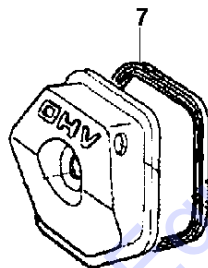
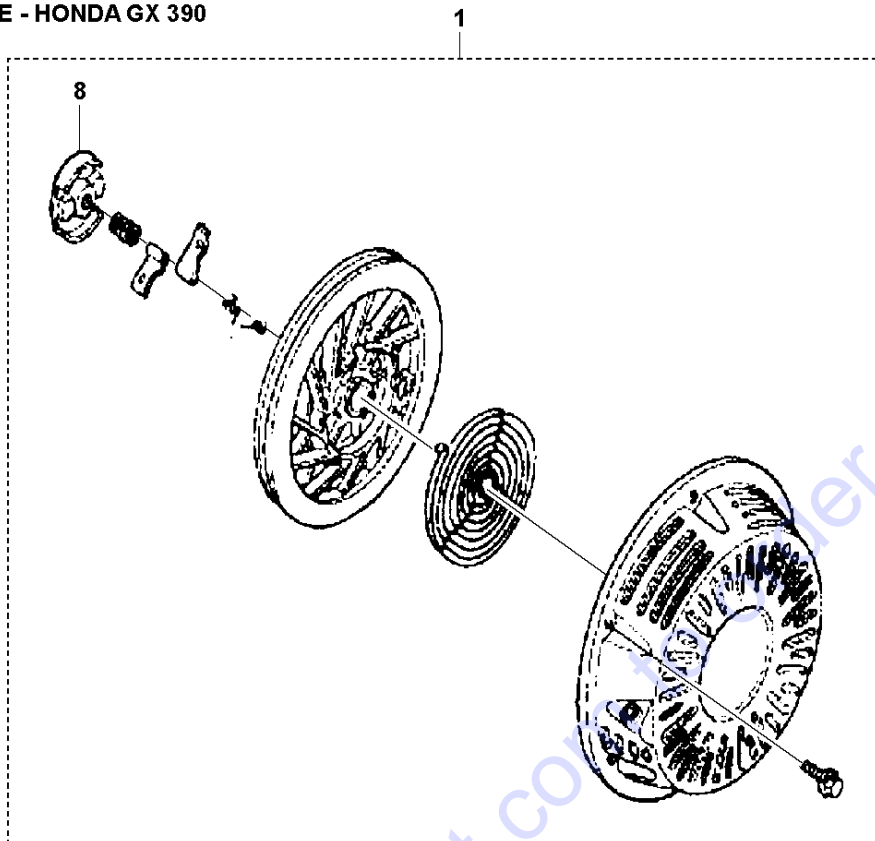


ENGINE INSTALLATION - HONDA LG 400, 967855401, 967855402, 967896401, 967896403, 2019-08

Ref	Part No	Description	Remark	QTY KIT
1	595 34 81-01	SOCKET		2
2	595 03 65-01	WASHER		2
3	594 33 10-01	CLIP		2
4	595 06 40-01	SCREW		6
5	594 49 17-01	EXHAUST PIPE		1
6	595 34 48-01	SCREW		4
7	594 74 74-01	WASHER		4
8	595 17 79-01	ENGINE		1
9	595 03 75-01	CLAMP		2
10	595 50 32-01	GUARD		1
11	595 03 66-01	WASHER		4
12	594 11 79-01	SCREW		4
13	595 21 30-01	SPACER		1
14	595 19 39-01	WASHER		1
15	595 03 34-01	SCREW		1
16	594 95 89-01	COVER		1
17	595 03 66-01	WASHER		4
18	594 11 79-01	SCREW		4
19	594 53 52-01	WASHER		1
20	594 53 50-01	SCREW	M08x25, A2-70, Black	1
21	594 49 11-01	PROTECTION		1
22	594 52 71-01	BALL JOINT		1
23	595 03 57-01	NUT		1
24	595 28 75-01	HEXAGON NUT		1
25	594 65 13-01	V-BELT		2
26	595 34 54-01	SCREW		1
27	595 11 28-01	WASHER		1
28	595 17 77-01	HOLDER		1
29	594 52 29-01	CONNECTOR		1
30	595 18 60-01	ADAPTER		1
31	595 45 46-01	CLAMP		2
32	594 14 78-01	HOSE		1
33	594 14 73-01	PLUG		1

Go to Discount-Equipment.com to order your parts

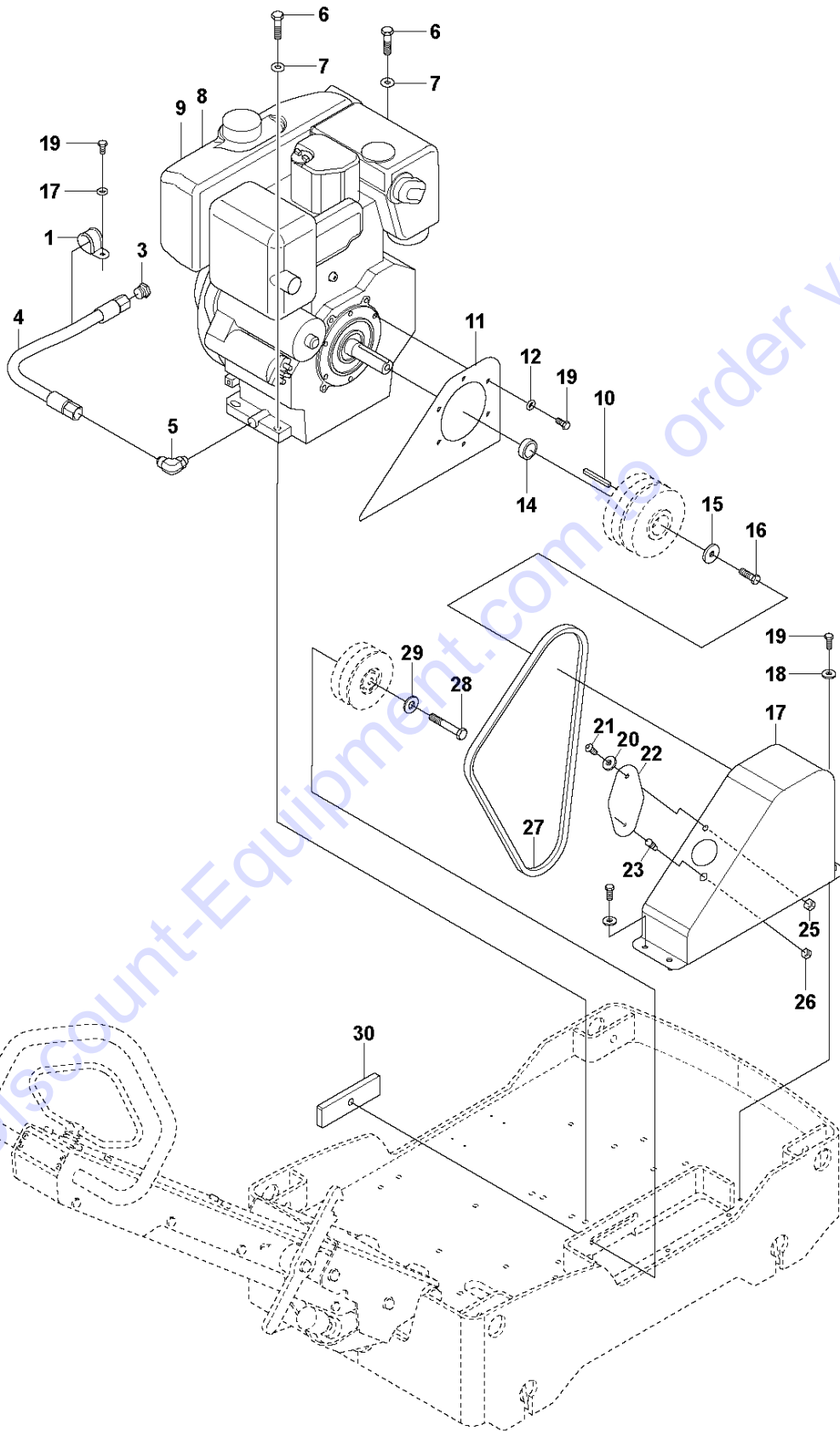
E LG 400
ENGINE - HONDA GX 390



Ref	Part No	Description	Remark	QTY	KIT
1	595 35 92-01	STARTER ASSY	Complete	1	
8	595 19 11-01	SUPPORT		1	1
7	594 76 03-01	GASKET		1	
10	595 05 13-01	SPARK PLUG		1	
13	594 20 40-01	SPARK PLUG		1	
8	595 13 12-01	GASKET		1	
14	595 04 94-01	GASKET		1	
22	595 04 93-01	NUT		1	
2	594 76 06-01	GASKET		2	
5	595 37 42-01	CAP		1	

Go to Discount-Equipment.com to order your parts

F LG 400
ENGINE INSTALLATION - LOMBARDINI

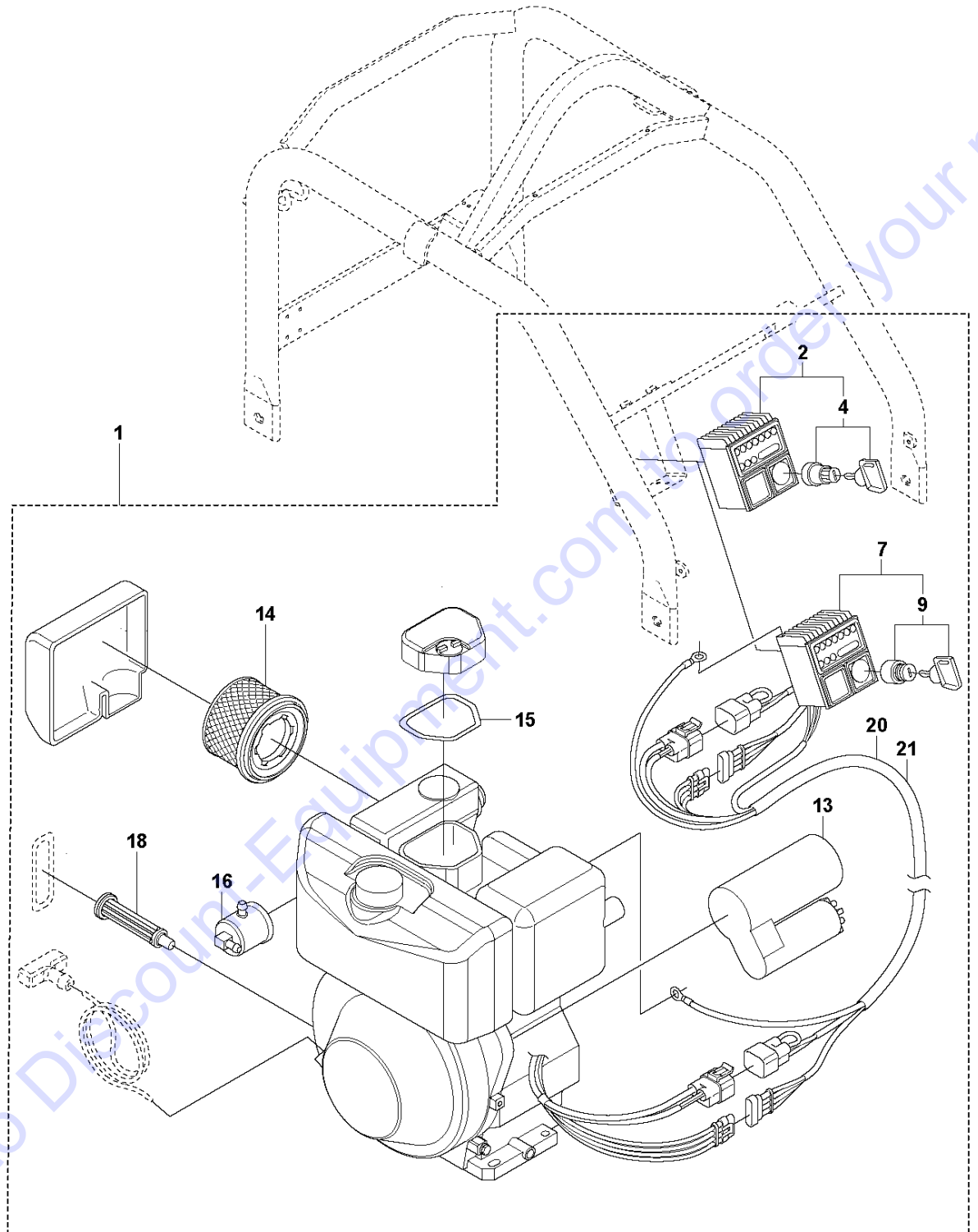


ENGINE INSTALLATION - LOMBARDINI LG 400, 967855401, 967855402, 967896401, 967896403, 2019-08

Ref	Part No	Description	Remark	QTY KIT
1	595 18 86-01	CLAMP		1
3	595 45 25-01	PLUG		1
4	595 17 81-01	HYDRAULIC HOSE		1
5	595 18 80-01	ADAPTER		1
6	595 34 48-01	SCREW		4
7	594 74 74-01	WASHER		4
8	597 23 63-01	ENGINE		1
9	599 73 56-01	ENGINE		1
10	594 36 86-01	KEY		1
11	595 21 29-01	BELT GUARD		1
12	595 03 66-01	WASHER		6
14	595 46 51-01	SPACER		1
15	594 85 88-01	WASHER		1
16	595 46 67-01	SCREW		1
17	594 95 89-01	COVER		1
18	595 03 66-01	WASHER		5
19	594 11 79-01	SCREW		4
20	594 53 52-01	WASHER		1
21	594 53 50-01	SCREW	M08x25, A2-70, Black	1
22	594 49 11-01	PROTECTION		1
23	594 52 71-01	BALL JOINT		1
25	595 03 57-01	NUT		1
26	595 28 75-01	HEXAGON NUT		1
27	594 33 29-01	BELT		2
28	595 34 54-01	SCREW		1
29	595 11 28-01	WASHER		1
30	595 17 77-01	HOLDER		1

Go to Discount-Equipment.com to order your parts

G LG 400
ENGINE - LOMBARDINI 15 LD400 - NON EPA

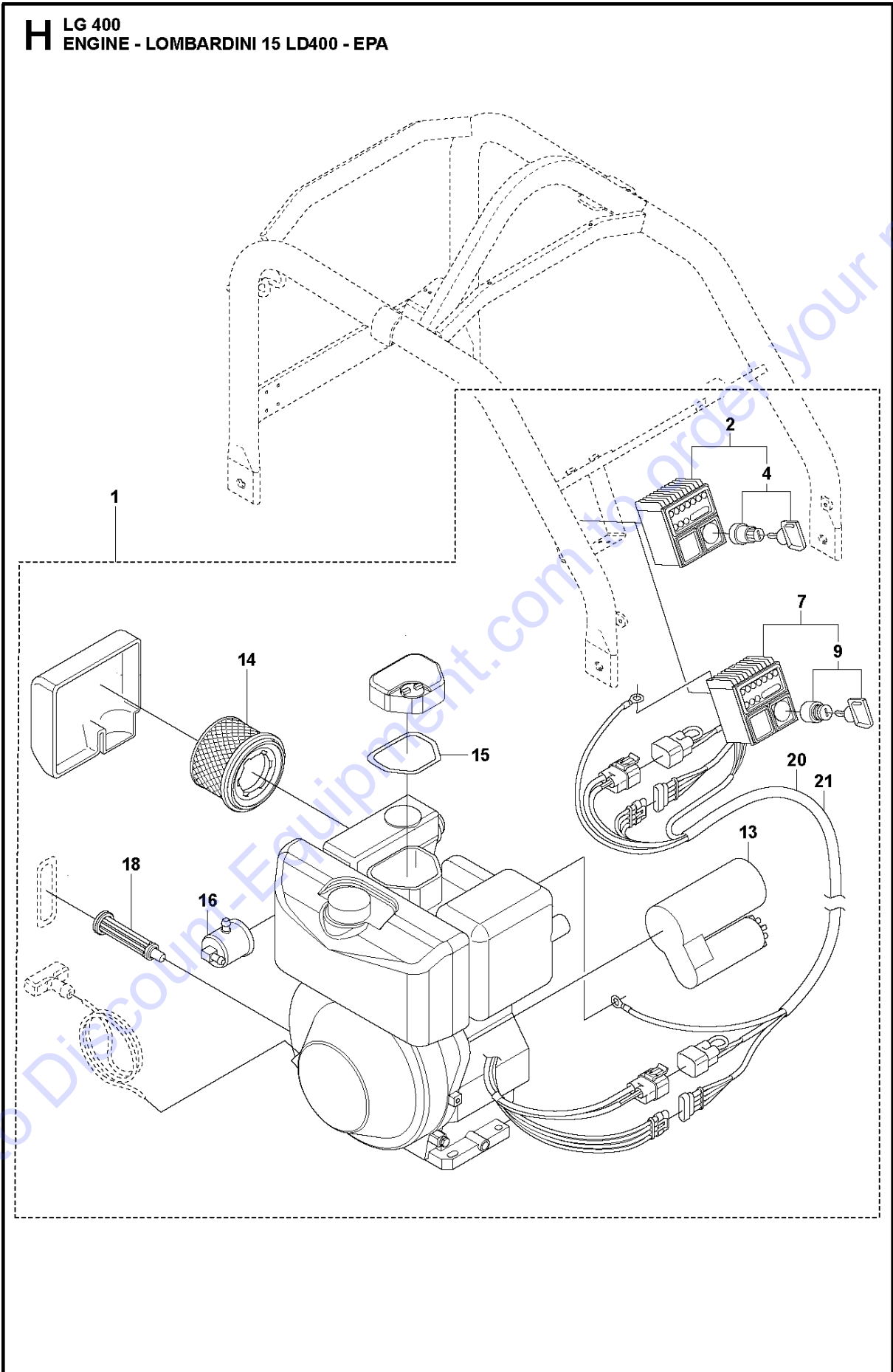


ENGINE - LOMBARDINI - NON EPALG 400, 967855401, 967855402, 967896401, 967896403, 2019-08

Ref	Part No	Description	Remark	QTY	KIT
1	595 50 34-01	ENGINE	Lombardini 15LD440	1	
2	594 21 18-01	BOX		1	1
4	594 20 20-01	IGNITION SWITCH		1	2
7	594 21 40-01	STARTER		1	
9	594 19 14-01	IGNITION SWITCH		1	7
13	594 19 78-01	STARTER		1	
14	594 19 74-01	AIR FILTER		1	
15	594 19 77-01	COVER		1	
16	594 19 73-01	FUEL FILTER		1	
18	594 19 75-01	OIL FILTER		1	
20	594 17 63-01	HARNESS		1	
21	597 16 07-01	EXTENSION CABLE		1	

Go to Discount-Equipment.com to order your parts

H LG 400
ENGINE - LOMBARDINI 15 LD400 - EPA

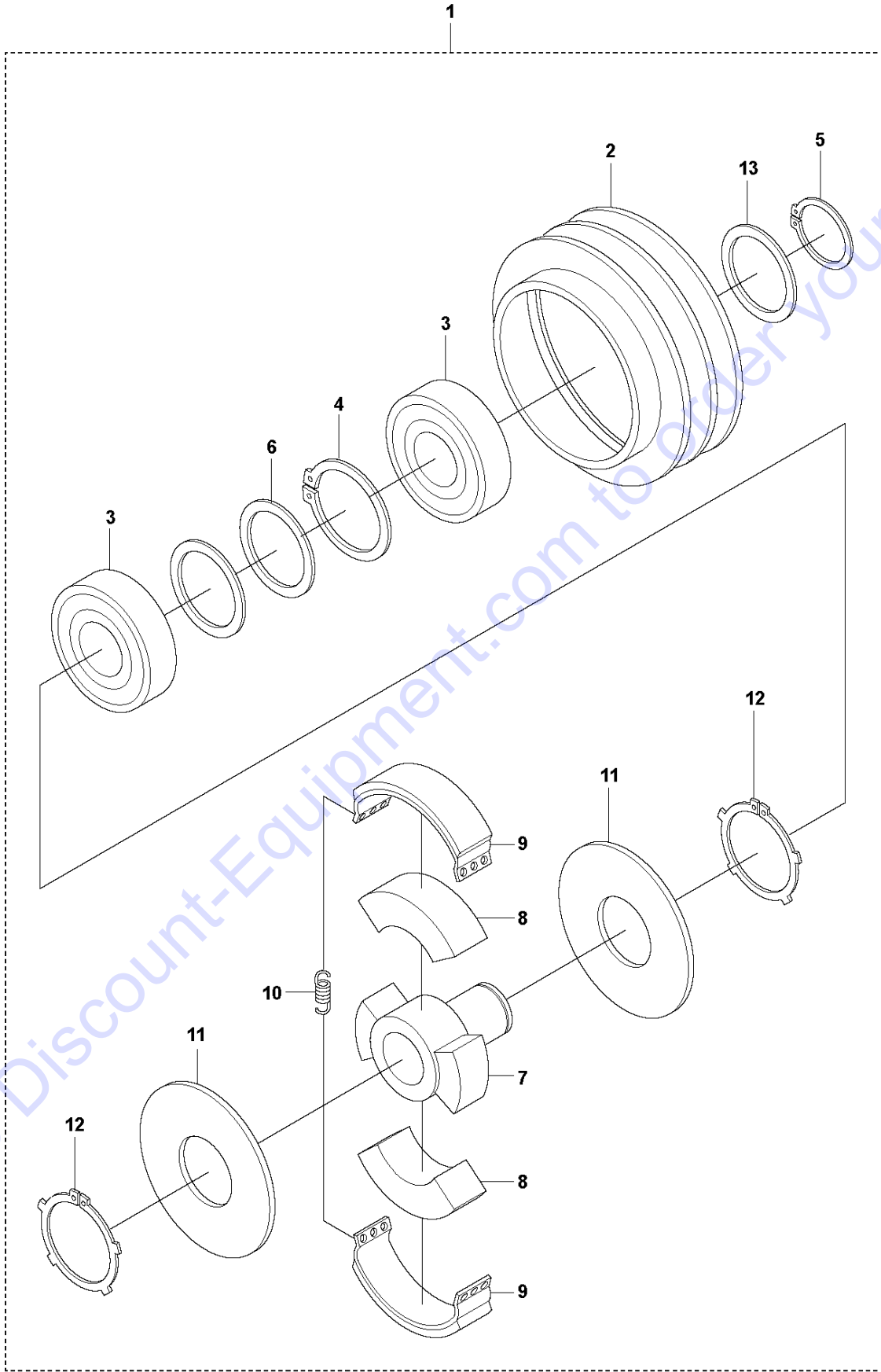


ENGINE - LOMBARDINI - EPA LG 400, 967855401, 967855402, 967896401, 967896403, 2019-08

Ref	Part No	Description	Remark	QTY	KIT
1	594 49 23-01	ENGINE	Lombardini 15LD440 EPA	1	
2	594 21 18-01	BOX		1	1
4	594 20 20-01	IGNITION SWITCH		1	2
7	594 21 40-01	STARTER		1	
9	594 19 14-01	IGNITION SWITCH		1	7
13	594 19 78-01	STARTER		1	
14	594 19 74-01	AIR FILTER		1	
15	594 19 77-01	COVER		1	
16	594 19 73-01	FUEL FILTER		1	
18	594 19 75-01	OIL FILTER		1	
20	594 17 63-01	HARNESS		1	
21	597 16 07-01	EXTENSION CABLE		1	

Go to Discount-Equipment.com to order your parts

J LG 400
CENTRIFUGAL CLUTCH - HONDA

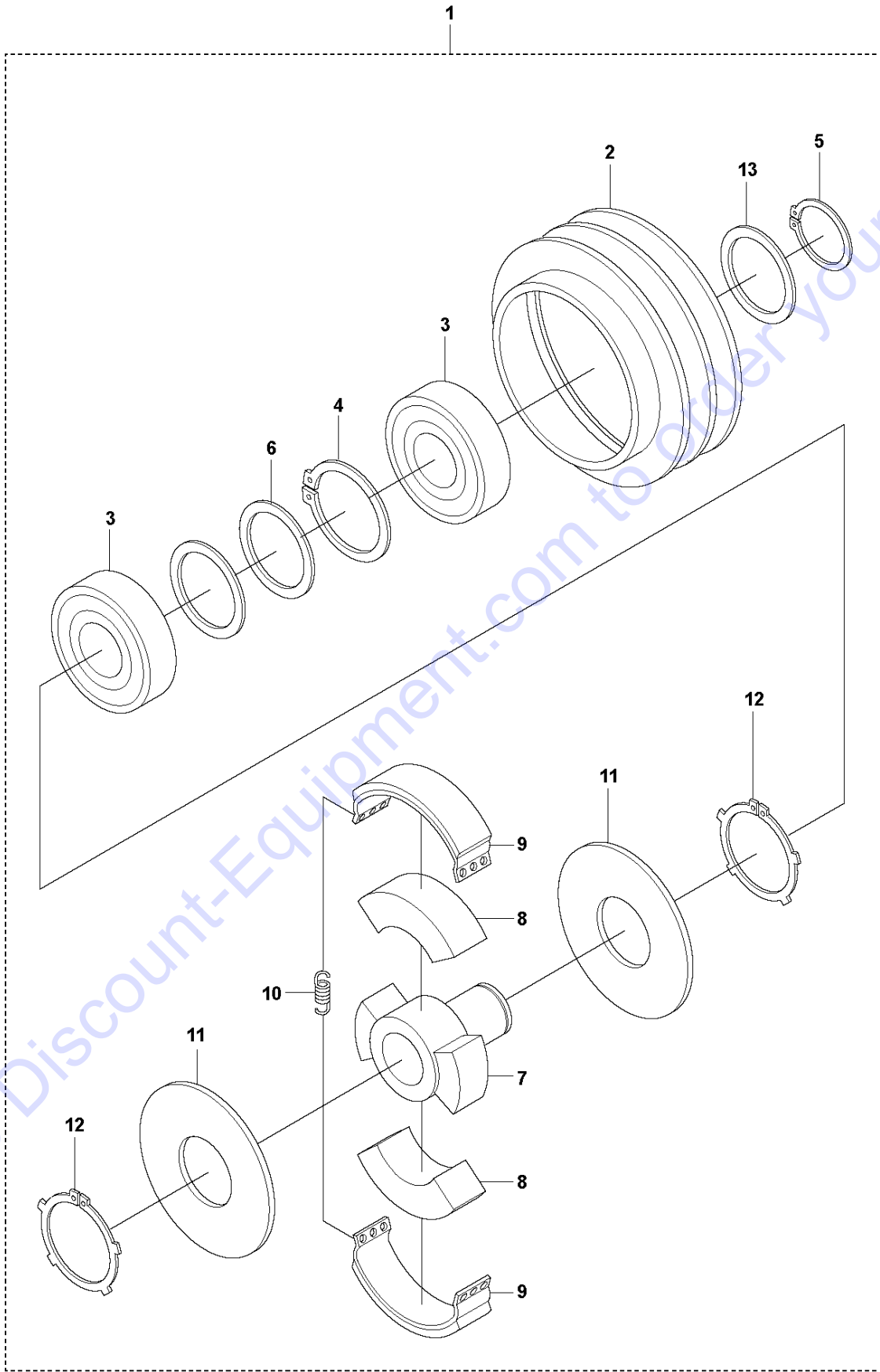


CENTRIFUGAL CLUTCH - HONDA LG 400, 967855401, 967855402, 967896401, 967896403, 2019-08

Ref	Part No	Description	Remark	QTY KIT
1	594 64 57-01	CENTRIFUGAL CLUTCH		1
2	594 65 79-01	PULLEY		1
3	594 60 76-01	BALL BEARING		2
4	595 19 30-01	RING		1
5	594 55 75-01	RETAINER RING		1
6	595 19 31-01	SHIM		2
7	595 50 52-01	HUB		1
8	594 60 78-01	WEIGHT		2
9	594 29 55-01	CLUTCH		2
10	594 65 77-01	SPRING		4
11	594 60 79-01	COVER		2
12	594 60 80-01	RING		2
13	595 19 32-01	SHIM		1

Go to Discount-Equipment.com to order your parts

K LG 400
CENTRIFUGAL CLUTCH - LOMBARDINI



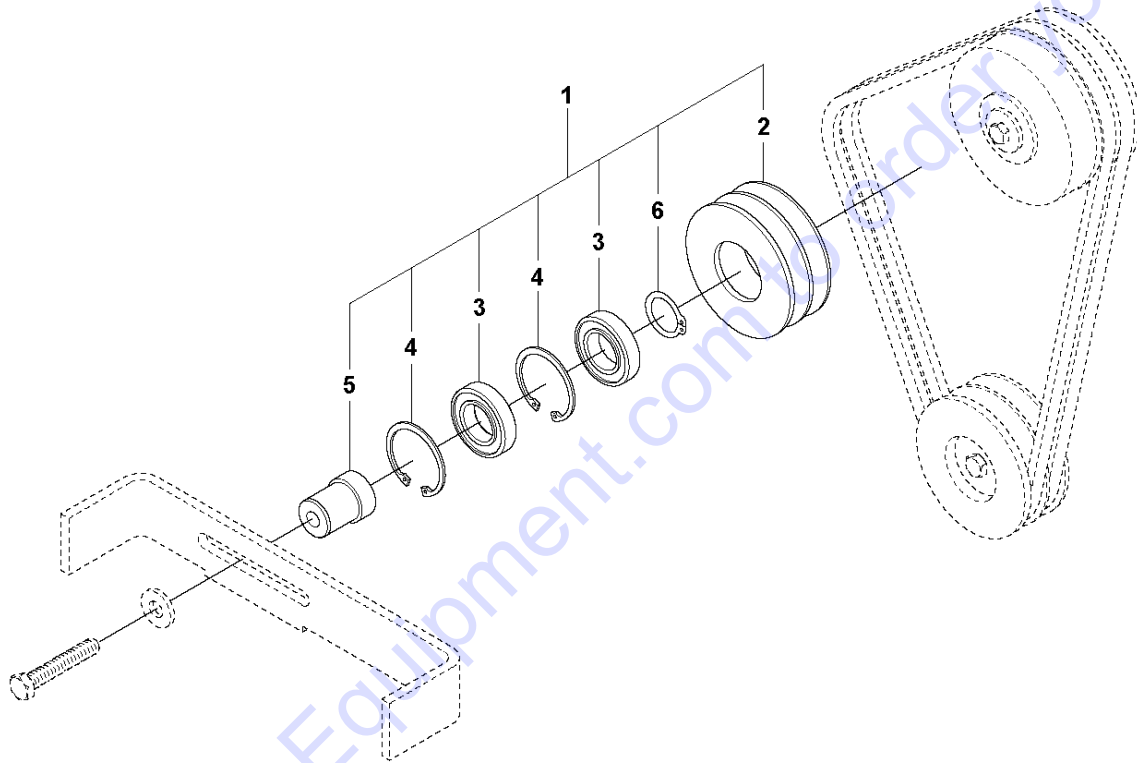
Go to Discount-Equipment.com to order your parts

CENTRIFUGAL CLUTCH - LOMBARDINI LG 400, 967855401, 967855402, 967896401, 967896403, 2019-08

Ref	Part No	Description	Remark	QTY KIT
1	594 64 56-01	CENTRIFUGAL CLUTCH		1
2	594 65 79-01	PULLEY		1
3	594 60 76-01	BALL BEARING		2
4	595 19 30-01	RING		1
5	594 55 75-01	RETAINER RING		1
6	595 19 31-01	SHIM		2
7	594 65 78-01	HUB		1
8	594 60 78-01	WEIGHT		2
9	594 29 55-01	CLUTCH		2
10	594 65 77-01	SPRING		4
11	594 60 79-01	COVER		2
12	594 60 80-01	RING		2
13	595 19 32-01	SHIM		1

Go to Discount-Equipment.com to order your parts

L LG 400
BELT TIGHTENER

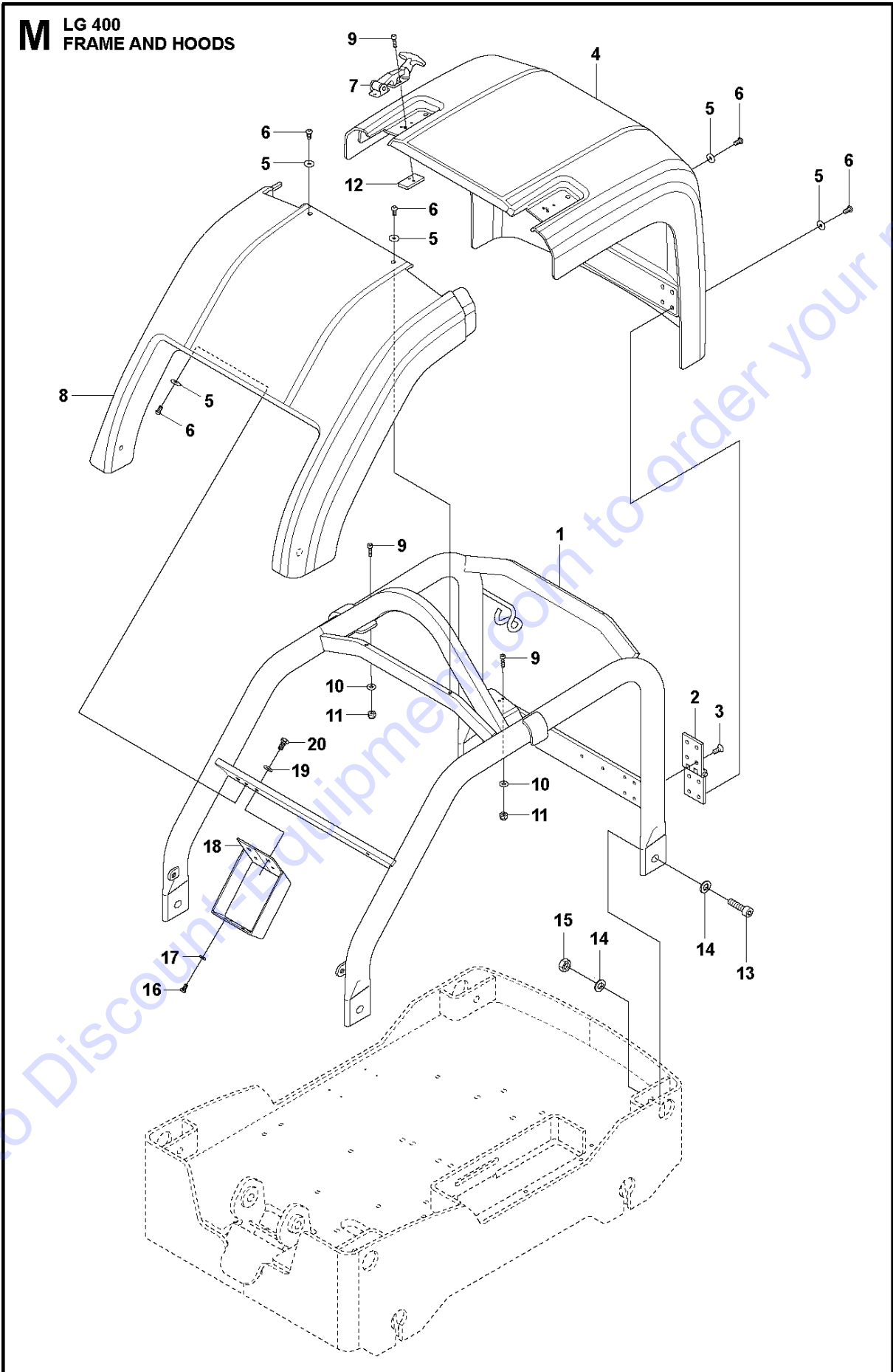


BELT TIGHTENER

LG 400, 967855401, 967855402, 967896401, 967896403, 2019-08

Ref	Part No	Description	Remark	QTY	KIT
1	595 46 50-01	PULLER		1	
2	594 44 01-01	BELT		1	1
3	594 25 91-01	BALL BEARING		2	1
4	595 04 61-01	SNAP RING		2	1
5	594 49 10-01	SHAFT		1	1
6	595 04 55-01	SNAP RING		1	1

Go to Discount-Equipment.com to order your parts



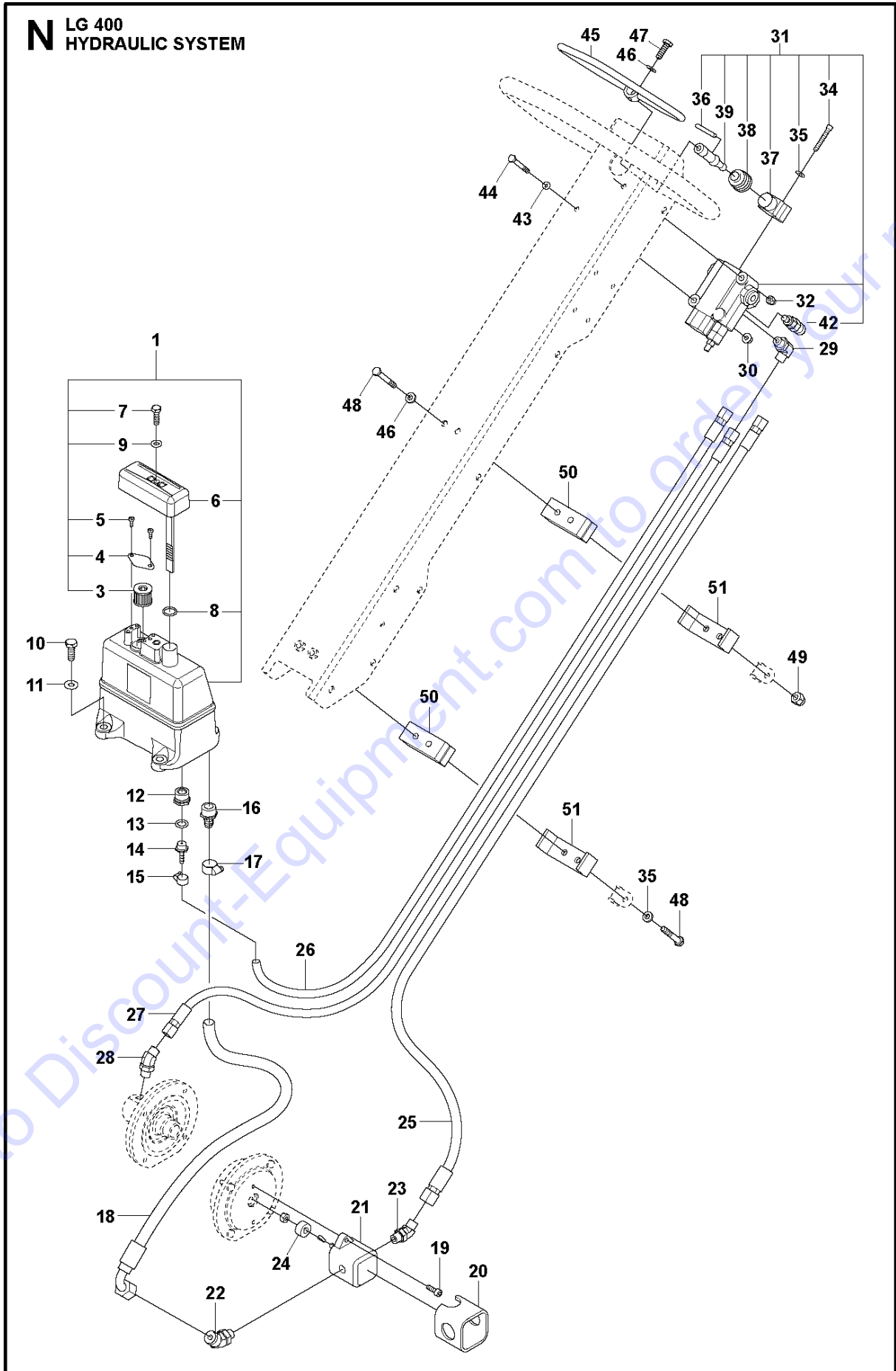
Go to DiscountEquipment.com to order your parts

FRAME & HOODS

LG 400, 967855401, 967855402, 967896401, 967896403, 2019-08

Ref	Part No	Description	Remark	QTY KIT
1	594 14 26-01	FRAME		1
2	594 44 68-01	HINGE		2
3	594 53 49-01	SCREW	M6 x 16 mm A2-70	8
4	594 95 78-01	COVER		1
5	594 53 51-01	WASHER	6 x 18 x 2 mm, 0.24 x 0.71 x 0.08 in. 300 HV	12
6	595 06 77-01	SCREW	M06X12	12
7	594 19 20-01	LATCH		2
8	594 95 79-01	COVER		1
9	595 11 08-01	SCREW	M4 x 16 mm 8.8 A2K	8
10	595 11 32-01	WASHER	M04 4,3x9x0,8 200-300 HV	4
11	595 35 19-01	LOCK NUT	M4 ISO7040	4
12	594 19 16-01	STOP		2
13	594 83 84-01	SCREW	M12 x 45 mm 12.9 GEOMET®	1
14	595 11 28-01	WASHER	13 x 30 x 4 mm, 0.51 x 1.18 x 0.16 in. 300 HV	8
15	594 54 86-01	NUT	M12	4
16	597 44 75-01	SCREW	M5 x 10 mm 8.8 A2K	4
17	594 12 38-01	PLANE WASHER	5.3 x 10 x 1 mm, 0.21 x 0.39 x 0.04 in. 300 HV	4
18	594 49 09-01	BRACKET	Bracket	1
19	595 03 66-01	WASHER	8.4 x 16 x 1.5 mm, 0.33 x 0.63 x 0.06 in. 300 HV	2
20	595 11 01-01	SCREW	M8 x 16 mm 8.8 A2K	2

Go to Discount-Equipment.com to order your parts



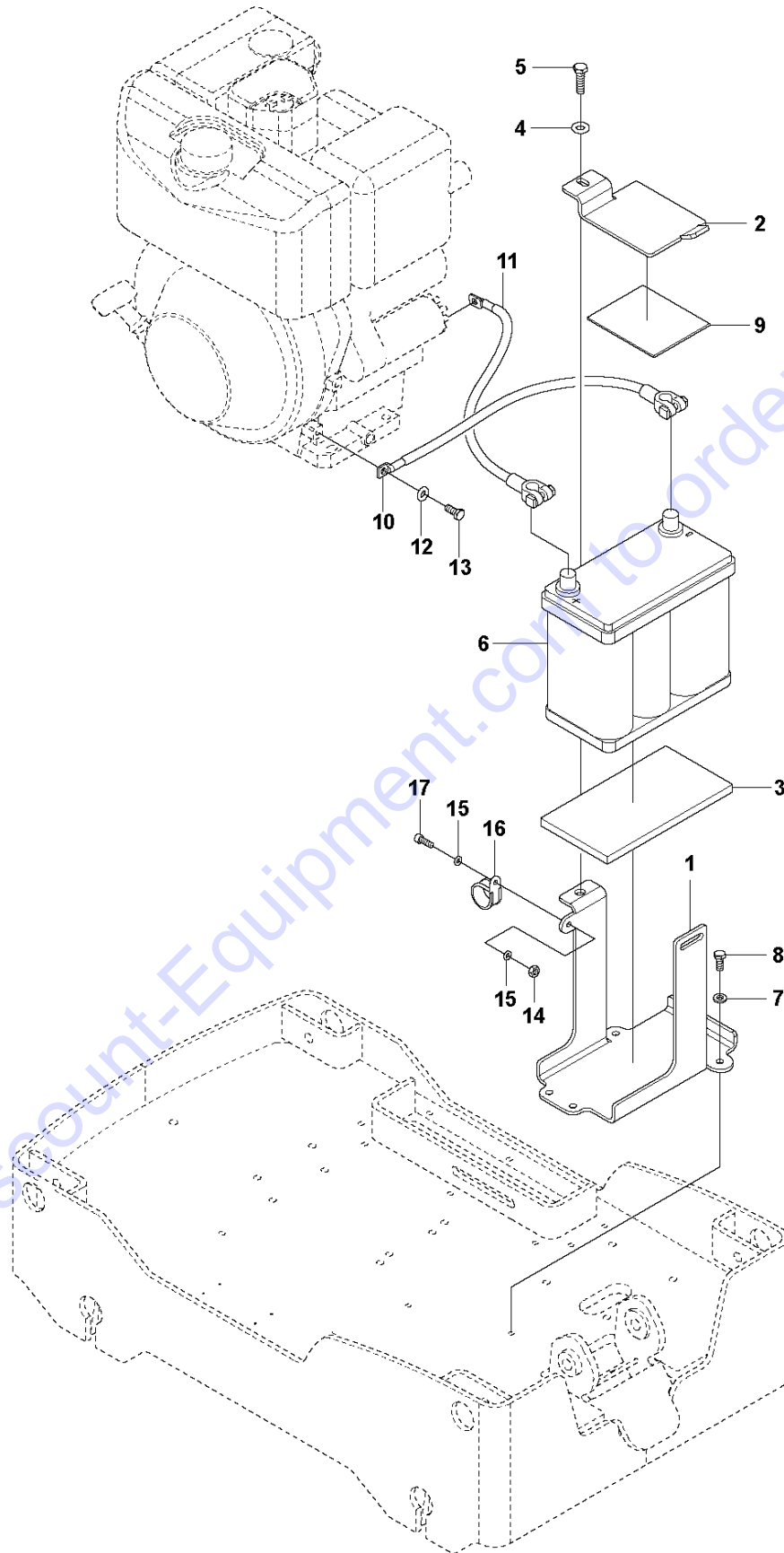
HYDRAULIC SYSTEM

LG 400, 967855401, 967855402, 967896401, 967896403, 2019-08

Ref	Part No	Description	Remark	QTY KIT	
1	594 42 63-01	HYDRAULIC TANK		1	
3	594 44 55-01	AIR FILTER		1	1
4	594 44 54-01	FILTER HOLDER		1	1
5	594 83 88-01	SCREW	K50 x 12 mm Type KX-PT	2	1
6	594 44 31-01	COVER		1	1
7	595 03 34-01	SCREW	M8 x 25 mm 8.8 A2K	1	1
8	595 04 73-01	O-RING		1	1
9	594 12 34-01	WASHER	8.4 x 16 x 1.5 mm, 0.33 x 0.63 x 0.06 in. 300 HV	1	1
10	595 05 44-01	SCREW	M10x30	4	
11	594 74 74-01	WASHER	10.5 x 22 x 2 mm, 0.41 x 0.87 x 0.08 in. 300 HV	4	
12	595 05 21-01	RING		1	
13	595 05 33-01	RING	13.3 x 18.9 x 1.5 mm, 0.52 x 0.74 x 0.06 in. Copper	1	
14	594 45 39-01	HOSE CONNECTOR		1	
15	595 16 07-01	HOSE CLAMP		1	
16	594 45 33-01	NIPPLE		1	
17	595 45 47-01	CLAMP		1	
18	594 43 08-01	HYDRAULIC HOSE		1	
19	595 03 43-01	SCREW	M6 x 20 mm 8.8 A2K	2	
20	594 32 43-01	PROTECTIVE COVER		1	
21	594 45 53-01	PUMP		1	
22	594 52 37-01	ELBOW		1	
23	595 06 33-01	ELBOW		1	
24	594 54 89-01	GEAR		1	
25	594 61 40-01	HYDRAULIC HOSE		1	
26	594 48 76-01	HYDRAULIC HOSE		1	
27	594 61 41-01	HYDRAULIC HOSE		1	
28	595 06 33-01	ELBOW		1	
29	594 51 86-01	ADAPTER		3	
30	595 11 26-01	NUT	M6 x 1 mm A2K	2	
31	594 33 32-01	VALVE		1	
32	595 03 60-01	LOCK NUT	M6 - 8 FZB	1	
34	594 20 90-01	SCREW		2	31
35	594 20 91-01	WASHER		4	31
36	594 20 87-01	PIN		1	31
37	594 20 86-01	LEVER		1	31
38	594 20 89-01	COVER		1	31
39	594 20 88-01	LEVER		1	31
42	594 20 96-01	NIPPLE		1	31
43	595 03 65-01	WASHER	6.4 x 12 x 1.5 mm, 0.25 x 0.47 x 0.06 in. 300 HV	4	
44	595 05 58-01	SCREW	M6 x 50 mm 8.8 A2K	2	
45	594 64 26-01	CONTROL LEVER		1	
46	595 03 66-01	WASHER	8.4 x 16 x 1.5 mm, 0.33 x 0.63 x 0.06 in. 300 HV	5	
47	595 03 34-01	SCREW	M8 x 25 mm 8.8 A2K	1	
48	595 28 71-01	SCREW	M8 x 50 mm 8.8 A2K	4	
49	595 03 66-01	WASHER	M8	2	
50	594 32 40-01	BLOCK		2	
51	594 14 74-01	BRACKET		2	

Go to DisassemblyEquipment.com to order your parts

P LG 400
BATTERY INSTALLATION



Go to Discount-Equipment.com to order your parts

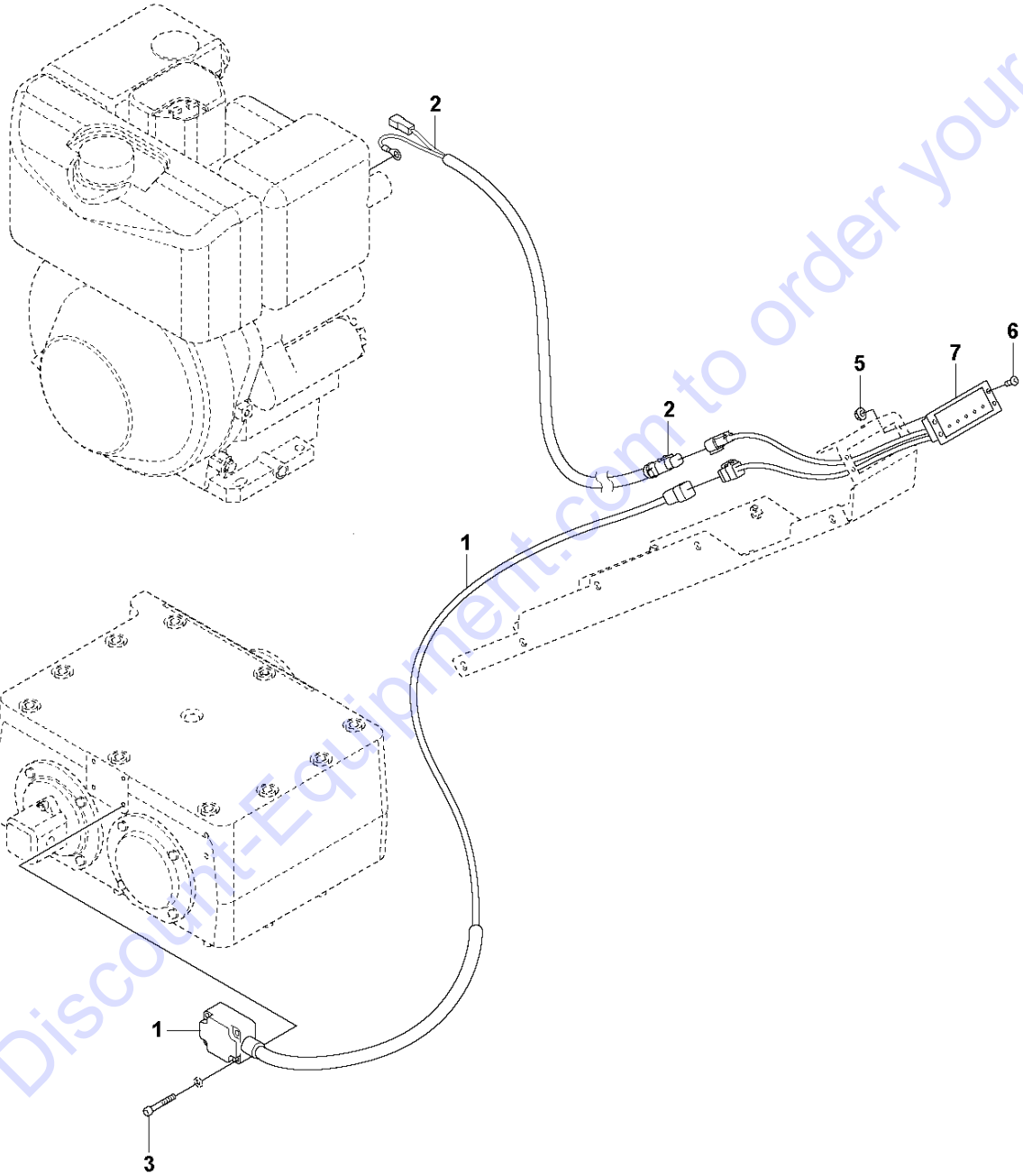
BATTERY

LG 400, 967855401, 967855402, 967896401, 967896403, 2019-08

Ref	Part No	Description	Remark	QTY KIT
1	594 48 93-01	HOLDER		1
2	594 48 92-01	BRACKET		1
3	594 48 90-01	INSULATION		1
4	594 74 74-01	WASHER	10.5 x 22 x 2 mm, 0.41 x 0.87 x 0.08 in. 300 HV	1
5	594 11 85-01	BOLT	M10 x 30 mm 8.8 A3K	1
6	594 43 35-01	BATTERY		1
7	595 03 66-01	WASHER	8.4 x 16 x 3 mm, 0.33 x 0.63 x 0.12 in. 300 HV	4
8	594 11 79-01	SCREW	M8 x 20 mm 8.8 A2K	4
9	594 48 94-01	SHROUD		1
10	595 18 49-01	CABLE		1
11	594 83 70-01	CABLE		1
12	595 03 66-01	WASHER	8.4 x 16 x 1.5 mm, 0.33 x 0.63 x 0.06 in. 300 HV	1
13	594 11 79-01	SCREW	M8 x 16 mm 8.8 A2K	1
14	595 11 26-01	NUT	M8 A2K	1
15	595 03 65-01	WASHER	6.4 x 12 x 1.5 mm, 0.25 x 0.47 x 0.06 in. 300 HV	2
16	595 46 96-01	CLAMP		1
17	595 34 80-01	SCREW	M6 x 16 mm 8.8 A2K	1

Go to Discount-Equipment.com to order your parts

Q LG 400
COMPACTION INDICATOR



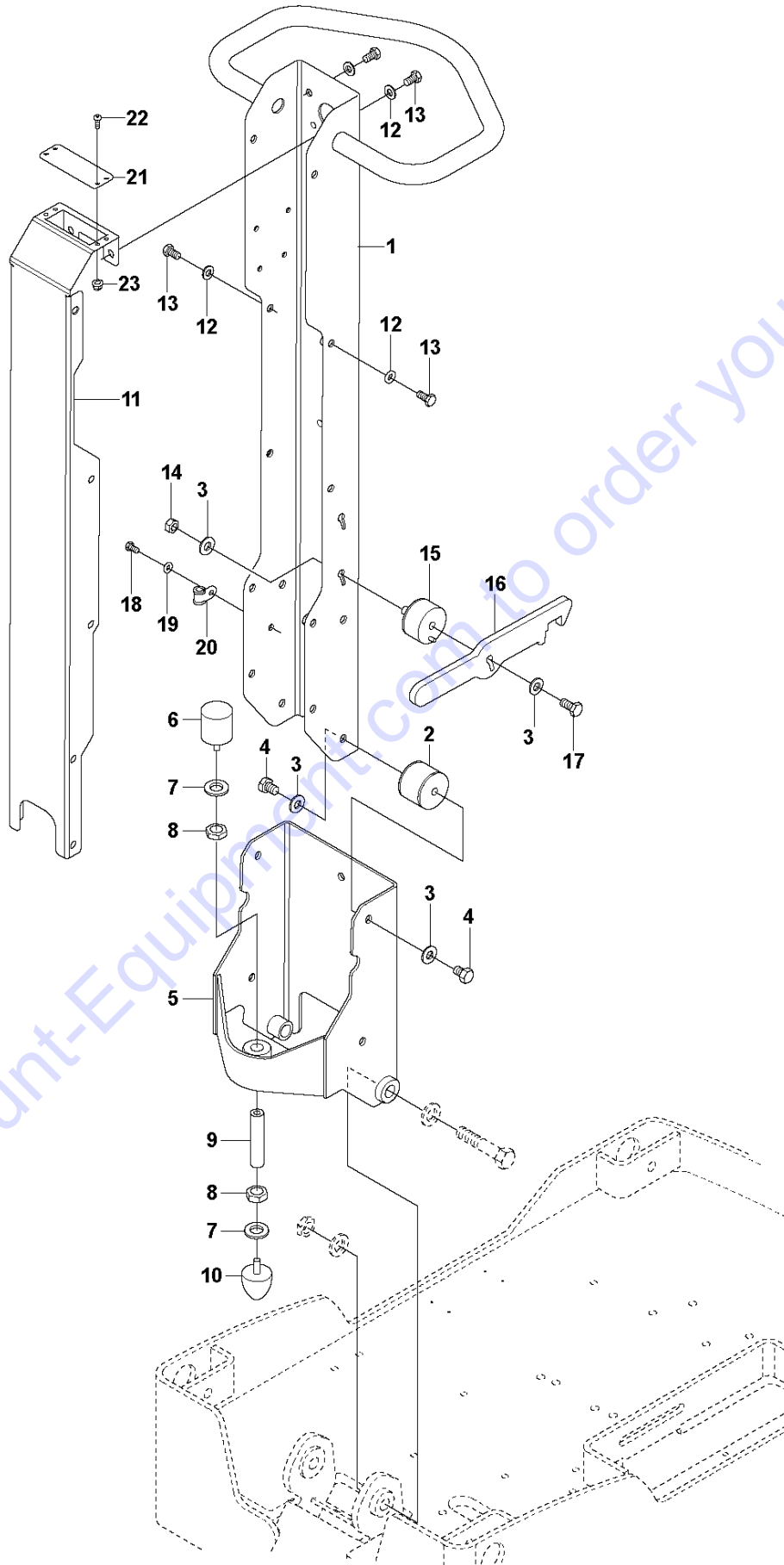
COMPACTION INDICATOR

LG 400, 967855401, 967855402, 967896401, 967896403, 2019-08

Ref	Part No	Description	Remark	QTY KIT
1	594 64 84-01	UNIT		1
2	594 64 83-01	HARNES		1
3	595 11 12-01	SCREW	M6 x 40 mm 8.8 A2K	4
5	595 35 24-01	NUT	M5 A2K	4
6	594 53 57-01	SCREW	M5 x 14 A2-70	4
7	594 17 67-01	INDICATOR		1

Go to Discount-Equipment.com to order your parts

R LG 400
HANDLE



Go to Discount-Equipment.com to order your parts

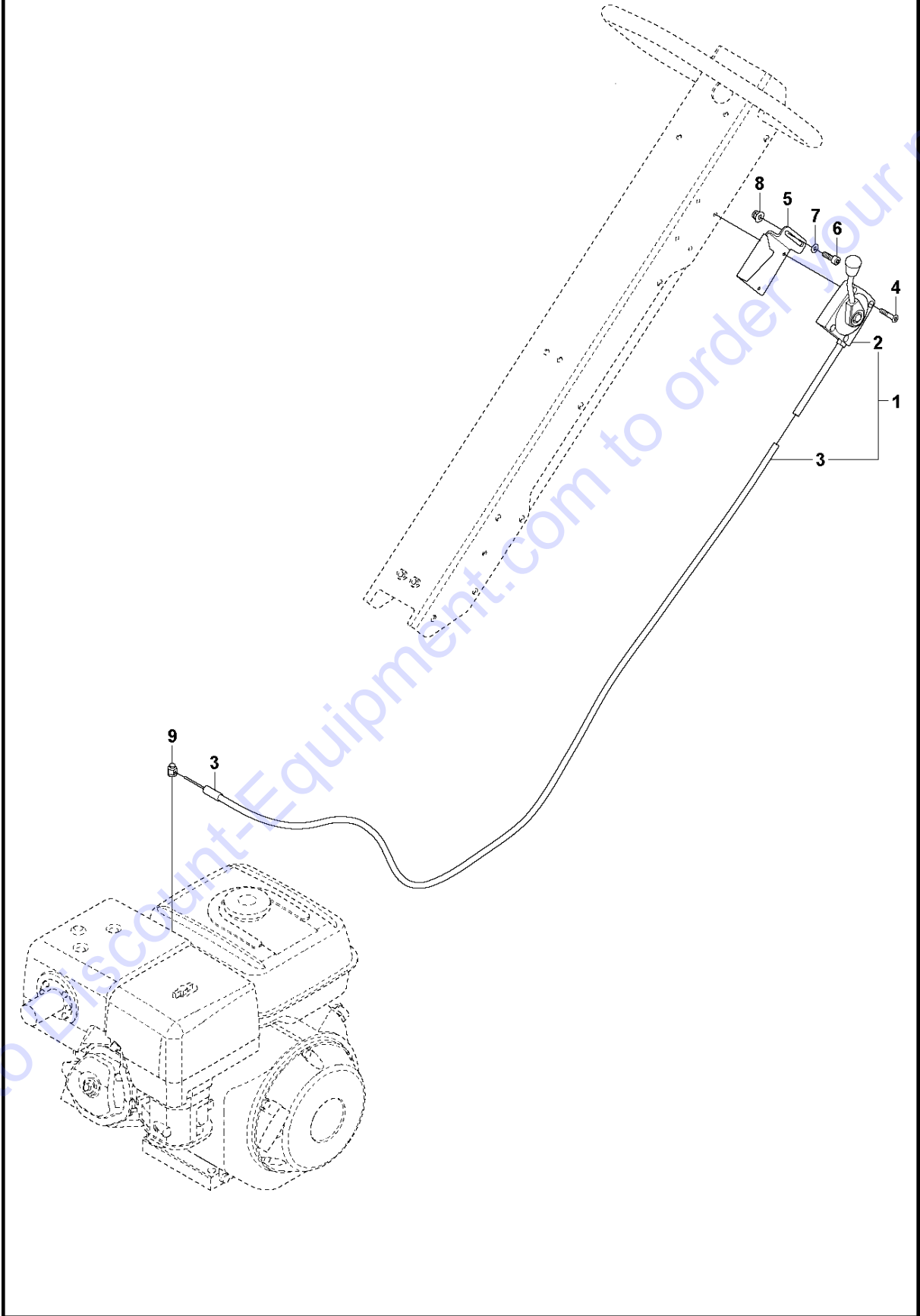
HANDLE

LG 400, 967855401, 967855402, 967896401, 967896403, 2019-08

Ref	Part No	Description	Remark	QTY KIT
1	594 14 29-01	HANDLE		1
2	594 14 75-01	ABSORBER		4
3	594 74 74-01	WASHER	10.5 x 22 x 2 mm, 0.41 x 0.87 x 0.08 in. 300 HV	10
4	594 11 83-01	CAP	M10 x 14 mm 8.8 A3K	8
5	595 11 94-01	BRACKET		1
6	594 52 72-01	ABSORBER		1
7	595 03 67-01	WASHER	17 x 30 x 3 mm, 0.70 x 1.18 x 0.12 in. 300 HV	2
8	595 05 97-01	NUT	M16 A3K	2
9	594 49 24-01	STUD		1
10	594 52 72-01	ABSORBER		1
11	594 64 86-01	COVER		1
12	595 03 66-01	WASHER	8.4 x 16 x 1.5 mm, 0.33 x 0.63 x 0.06 in. 300 HV	12
13	595 11 01-01	SCREW	M8 x 16 mm 8.8 A2K	12
14	595 02 94-01	NUT	M10 A3K	1
15	594 46 27-01	ABSORBER		1
16	594 43 41-01	HOOK		1
17	594 11 84-01	SCREW	M10 x 20 mm 8.8 A3K	1
18	595 03 32-01	SCREW		1
19	595 03 65-01	WASHER	6.4 x 12 x 1.5 mm, 0.25 x 0.47 x 0.06 in. 300 HV	1
20	595 18 87-01	CLAMP		1
21	594 64 71-01	COVER		1
22	594 53 57-01	SCREW	M5 x 14 A2-70	4
23	595 35 24-01	NUT	M5 A2K	1

Go to Discount-Equipment.com to order your parts

S LG 400
THROTTLE CONTROL - HONDA



THROTTLE CONTROL - HONDA LG 400, 967855401, 967855402, 967896401, 967896403, 2019-08

Ref	Part No	Description	Remark	QTY KIT
1	594 64 62-01	THROTTLE CONTROL		1
2	594 49 07-01	LEVER		1
3	594 64 63-01	CABLE		1
4	594 74 71-01	SCREW	M5 x 30 mm A2-70	4
5	594 64 51-01	BRACKET		1
6	595 03 42-01	SCREW	M6 x 16 mm 8.8 A2K	1
7	595 03 65-01	WASHER	6.4 x 12 x 1.5 mm, 0.25 x 0.47 x 0.06 in. 300 HV	1
8	595 11 26-01	NUT	M6 x 1 mm A2K	1
9	594 64 69-01	HOLDER		1

Go to Discount-Equipment.com to order your parts

PARTS FINDER

**Search Website
by Part Number**



**Search Manual
Library For Parts
Manual & Lookup Part
Numbers – Purchase
or Request Quote**

Search Manuals

Enter your information to search for a manual or to purchase a manual or parts.

* Brand:

* Model:

* Serial:

* Part Number:

SEARCH

**Can't Find Part or
Manual? Request Help
by Manufacturer,
Model & Description**

Parts Order Form

Please fill in the information below to request help finding a part or manual.

Manufacturer:

Model:

Description:

Quantity:

Part Number:

Part Name:

Part Description:

Part Category:

Part Location:

Part Status:

Part Condition:

Part Material:

Part Color:

Part Weight:

Part Dimensions:

Part Price:

Part Availability:

Part Lead Time:

Part Notes:

Submit

Discount-Equipment.com is your online resource for quality parts & equipment.

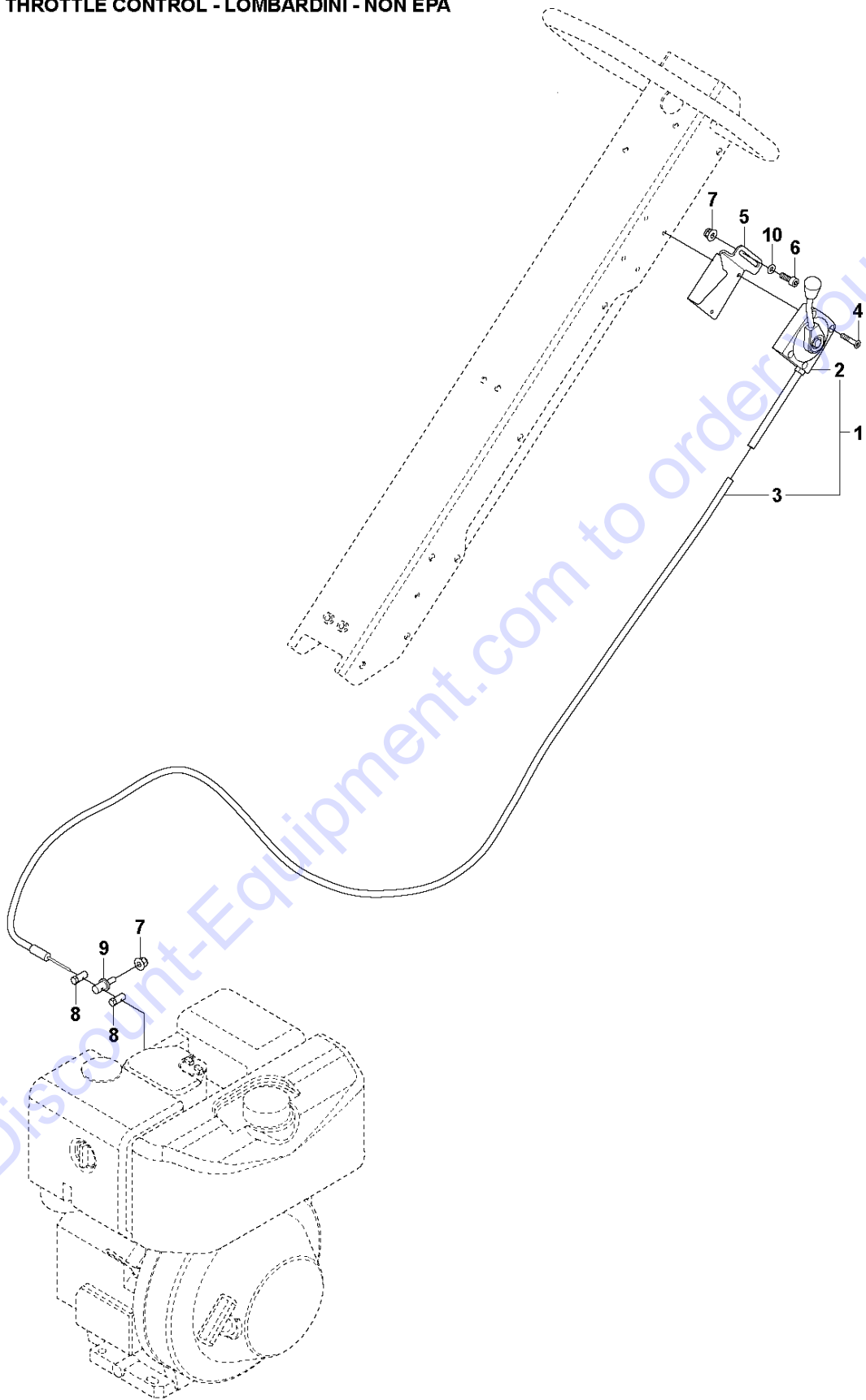
Florida: **561-964-4949** Outside Florida TOLL FREE: **877-690-3101**

Need parts?

Click on this link: <http://www.discount-equipment.com/category/5443-parts/> and choose one of the options to help get the right parts and equipment you are looking for. Please have the machine model and serial number available in order to help us get you the correct parts. If you don't find the part on the website or on one of the online manuals, please fill out the request form and one of our experienced staff members will get back to you with a quote for the right part that your machine needs.

We sell worldwide for the brands: Genie, Terex, JLG, MultiQuip, Mikasa, Essick, Whiteman, Mayco, Toro Stone, Diamond Products, Generac Magnum, Airman, Haulotte, Barreto, Power Blanket, Nifty Lift, Atlas Copco, Chicago Pneumatic, Allmand, Miller Curber, Skyjack, Lull, Skytrak, Tsurumi, Husquvarna Target, Stow, Wacker, Sakai, Mi-T-M, Sullair, Basic, Dynapac, MBW, Weber, Bartell, Bennar Newman, Haulotte, Ditch Runner, Menegotti, Morrison, Contec, Buddy, Crown, Edco, Wyco, Bomag, Laymor, EZ Trench, Bil-Jax, F.S. Curtis, Gehl Pavers, Heli, Honda, ICS/PowerGrit, IHI, Partner, Imer, Clipper, MMD, Koshin, Rice, CH&E, General Equipment, Amida, Coleman, NAC, Gradall, Square Shooter, Kent, Stanley, Tamco, Toku, Hatz, Kohler, Robin, Wisconsin, Northrock, Oztec, Toker TK, Rol-Air, APT, Wylie, Ingersoll Rand / Doosan, Innovatech, Con X, Ammann, Mecalac, Makinex, Smith Surface Prep, Small Line, Wanco, Yanmar

T LG 400
THROTTLE CONTROL - LOMBARDINI - NON EPA

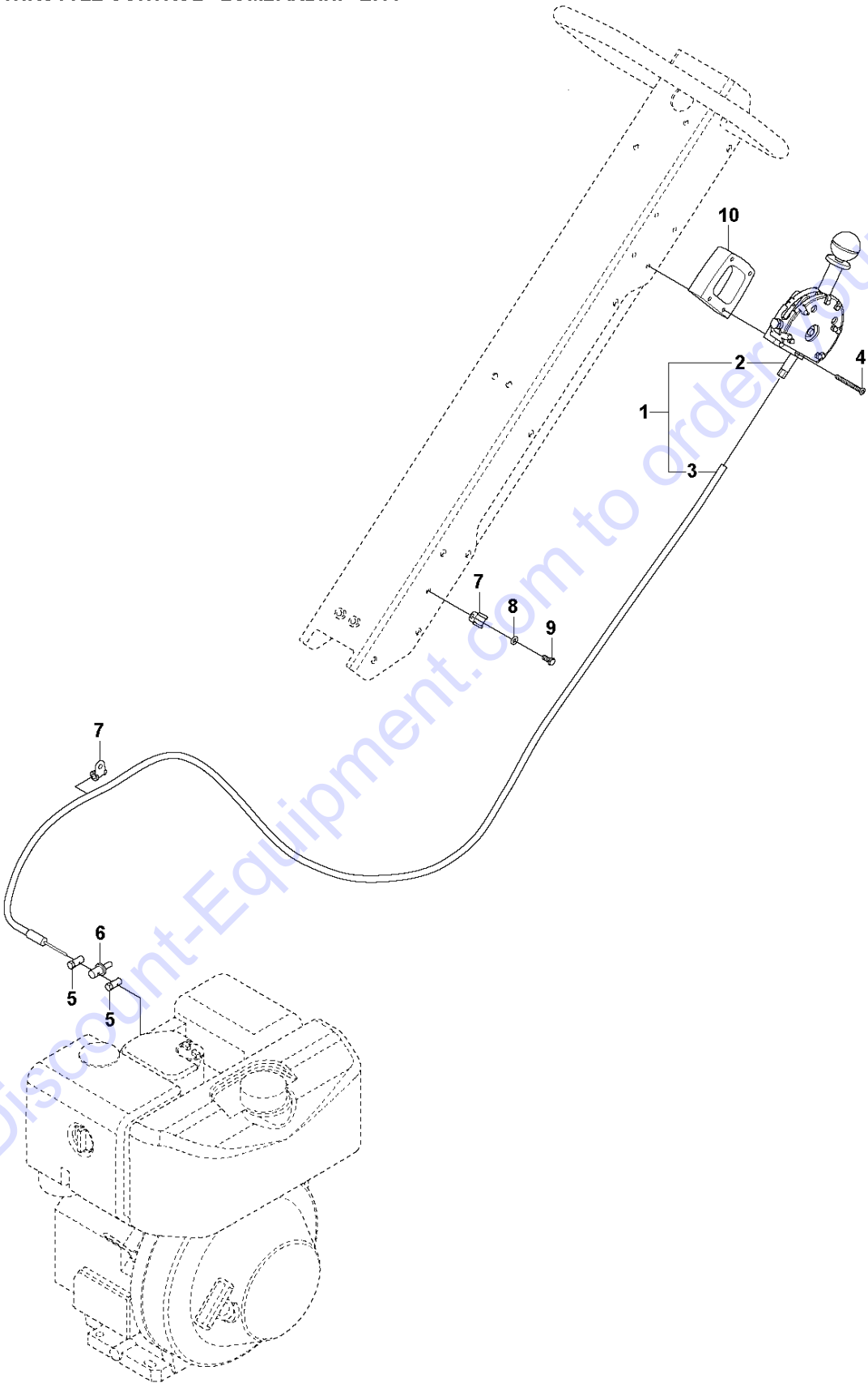


THROTTLE CONTROL - LOMBARDINI - NON EPA LG 400, 967855401, 967855402, 967896401, 967896403, 2019-08

Ref	Part No	Description	Remark	QTY	KIT
1	594 64 64-01	THROTTLE CONTROL		1	
2	594 49 07-01	LEVER		1	1
3	594 65 14-01	CABLE		1	1
4	594 74 71-01	SCREW	M5 x 30 mm A2-70	4	
5	594 64 51-01	BRACKET		1	
6	595 03 42-01	SCREW	M6 x 16 mm 8.8 A2K	1	
7	595 11 26-01	NUT	M6 x 1 mm A2K	2	
8	594 33 12-01	NIPPLE		2	
9	594 64 65-01	NIPPLE		1	
10	595 03 65-01	WASHER	6.4 x 12 x 1.5 mm, 0.25 x 0.47 x 0.06 in. 300 HV	1	

Go to Discount-Equipment.com to order your parts

U LG 400
THROTTLE CONTROL - LOMBARDINI - EPA



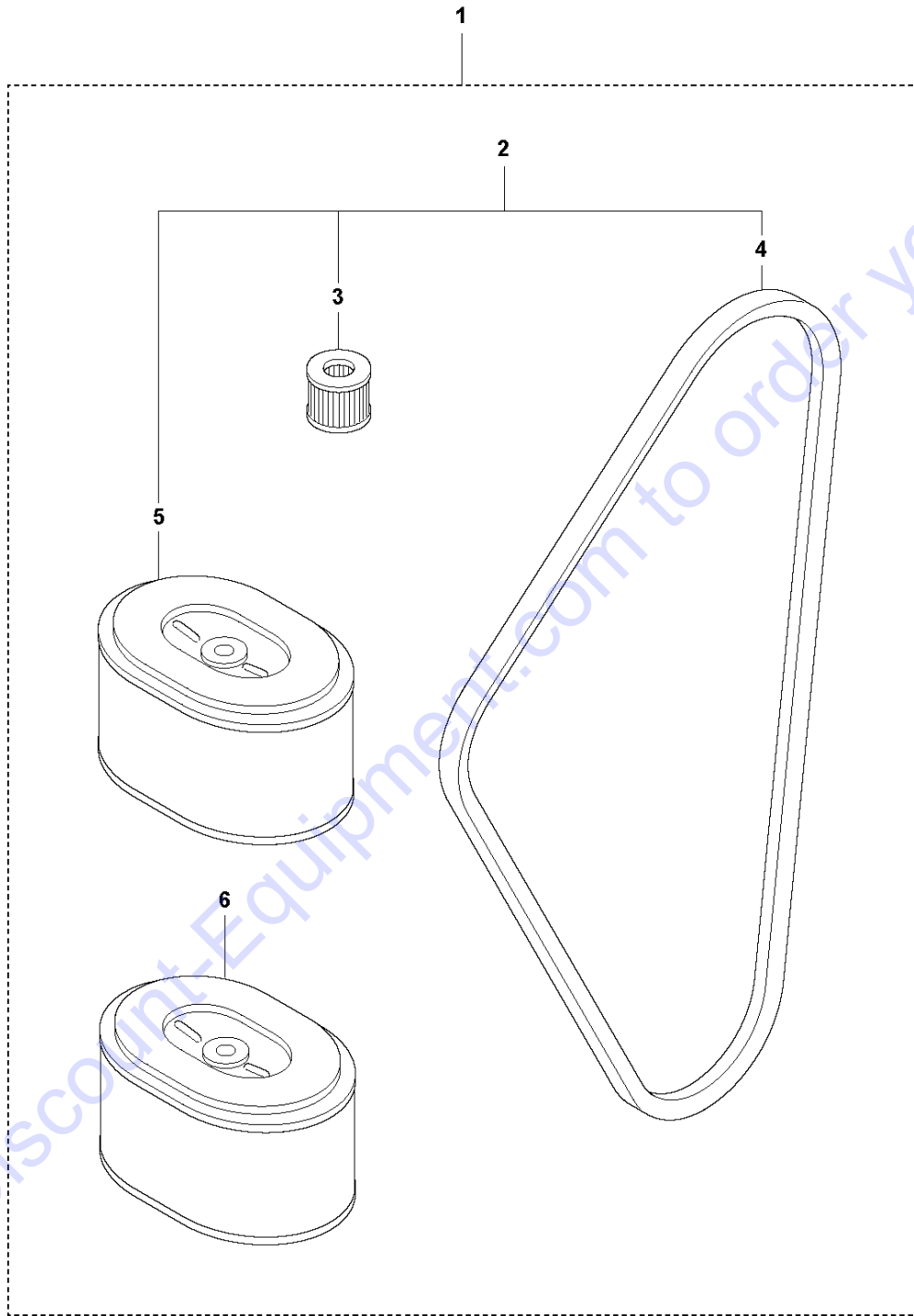
THROTTLE CONTROL - LOMBARDINI - EPA
967896403, 2019-08

LG 400, 967855401, 967855402, 967896401,

Ref	Part No	Description	Remark	QTY	KIT
1	594 17 57-01	THROTTLE CONTROL		1	
2	598 28 73-01	THROTTLE CONTROL		1	1
3	594 21 00-01	THROTTLE CABLE		1	1
4	595 35 00-01	SCREW		4	
5	594 33 12-01	NIPPLE		2	
6	594 64 65-01	NIPPLE		1	
7	595 03 75-01	CLAMP		2	
8	595 03 65-01	WASHER		1	
9	595 03 32-01	SCREW		1	
10	595 37 59-01	SPACER		1	

Go to Discount-Equipment.com to order your parts

V LG 400
START UP KIT - HONDA

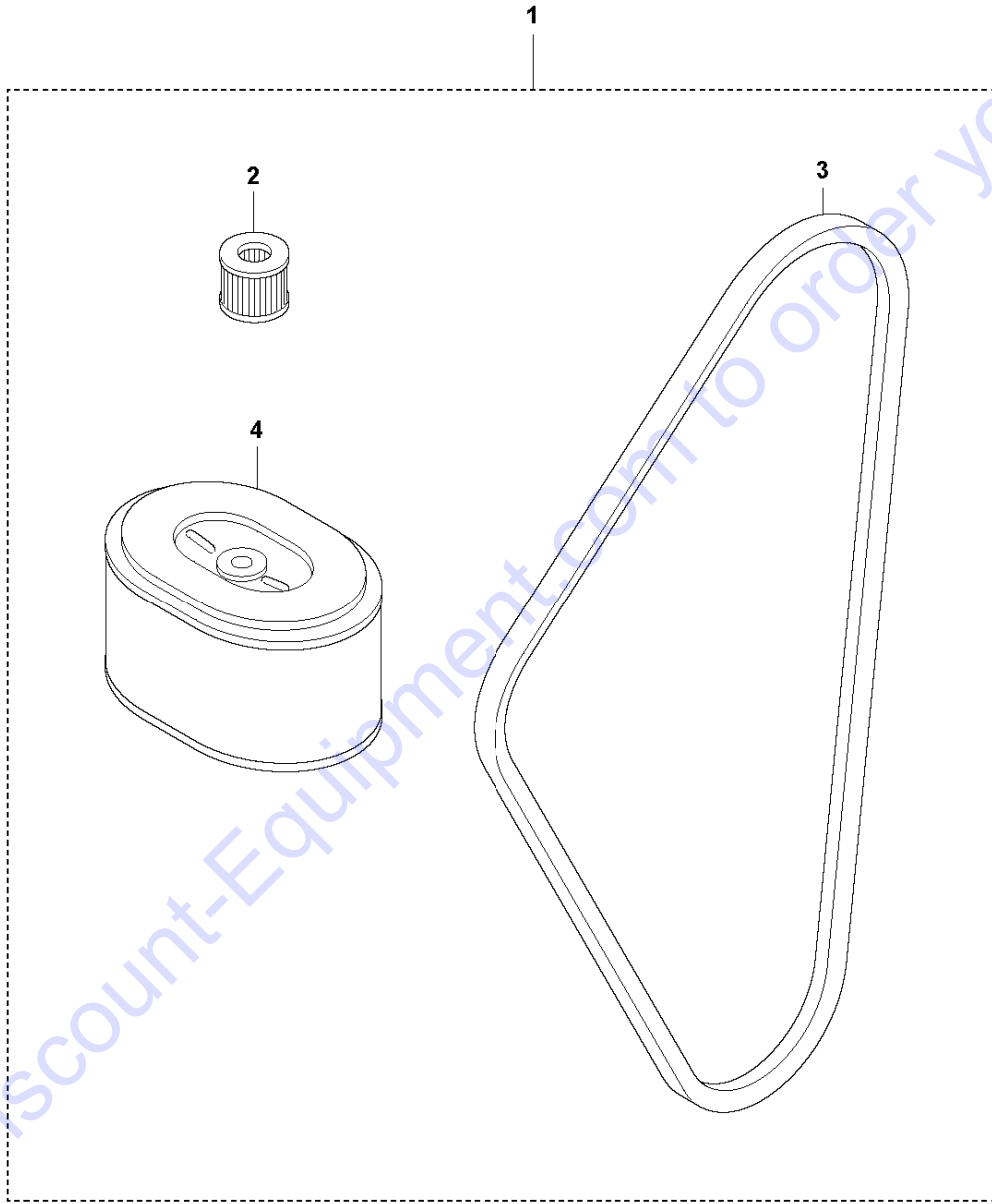


Go to DiscountEquipment.com to order your parts

Ref	Part No	Description	Remark	QTY	KIT
1	595 13 27-01	SERVICE KIT		1	
2	595 38 42-01	SERVICE KIT		1	1
3	594 44 55-01	AIR FILTER		1	1, 2
4	594 65 13-01	V-BELT		2	1, 2
5	594 19 81-01	AIR FILTER		1	1, 2
6	594 19 81-01	AIR FILTER		1	1

Go to Discount-Equipment.com to order your parts

W LG 400
12 MONTHS / 500 HOURS SERVICE KIT - HONDA

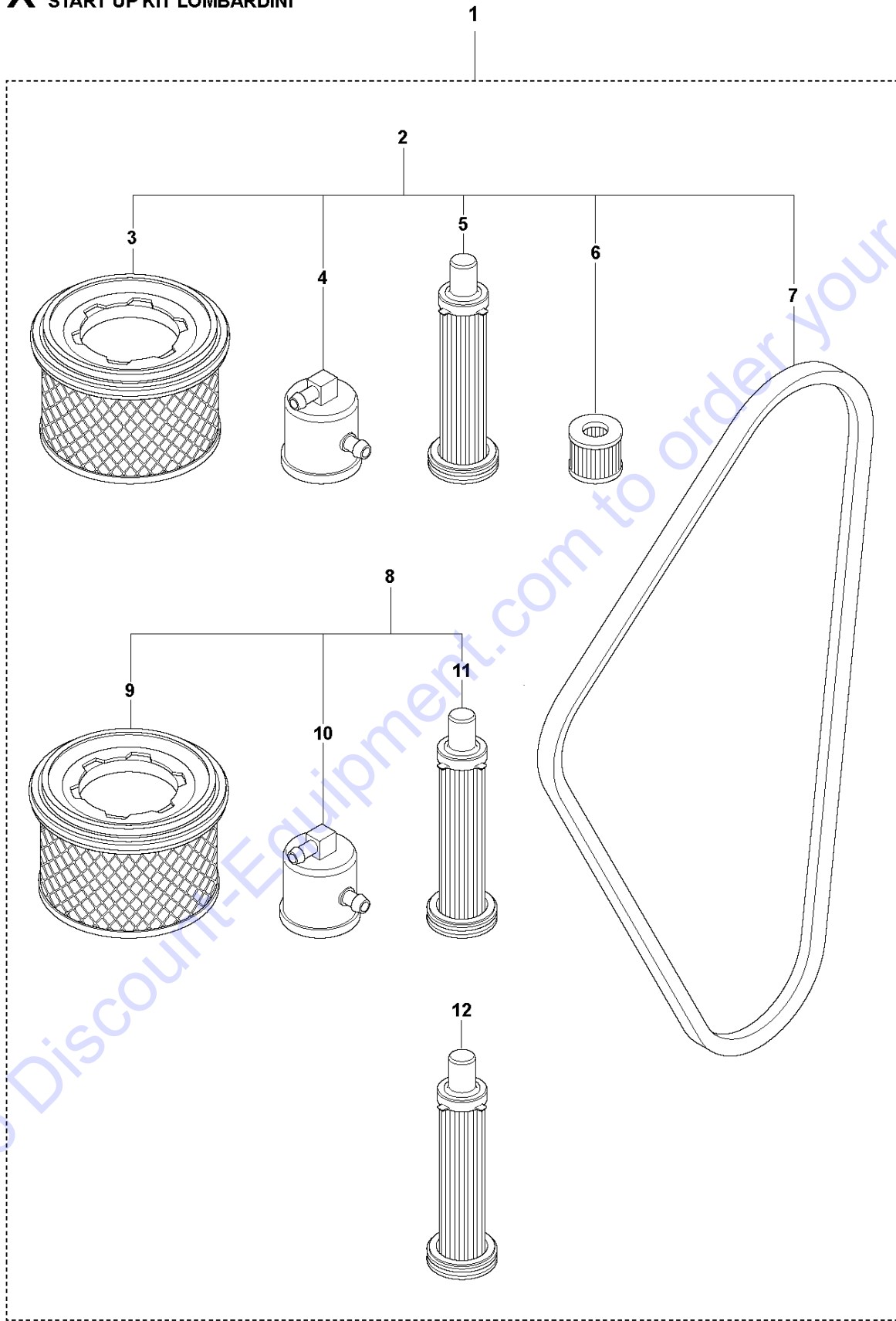


12 MONTHS / 500 HOURS SERVICE KIT - HONDA LG 400, 967855401, 967855402, 967896401, 967896403, 2019-08

Ref	Part No	Description	Remark	QTY KIT	
1	595 38 42-01	SERVICE KIT		1	
2	594 44 55-01	AIR FILTER		1	1
3	594 65 13-01	V-BELT		2	1
4	594 19 81-01	AIR FILTER		1	1

Go to Discount-Equipment.com to order your parts

X LG 400
START UP KIT LOMBARDINI



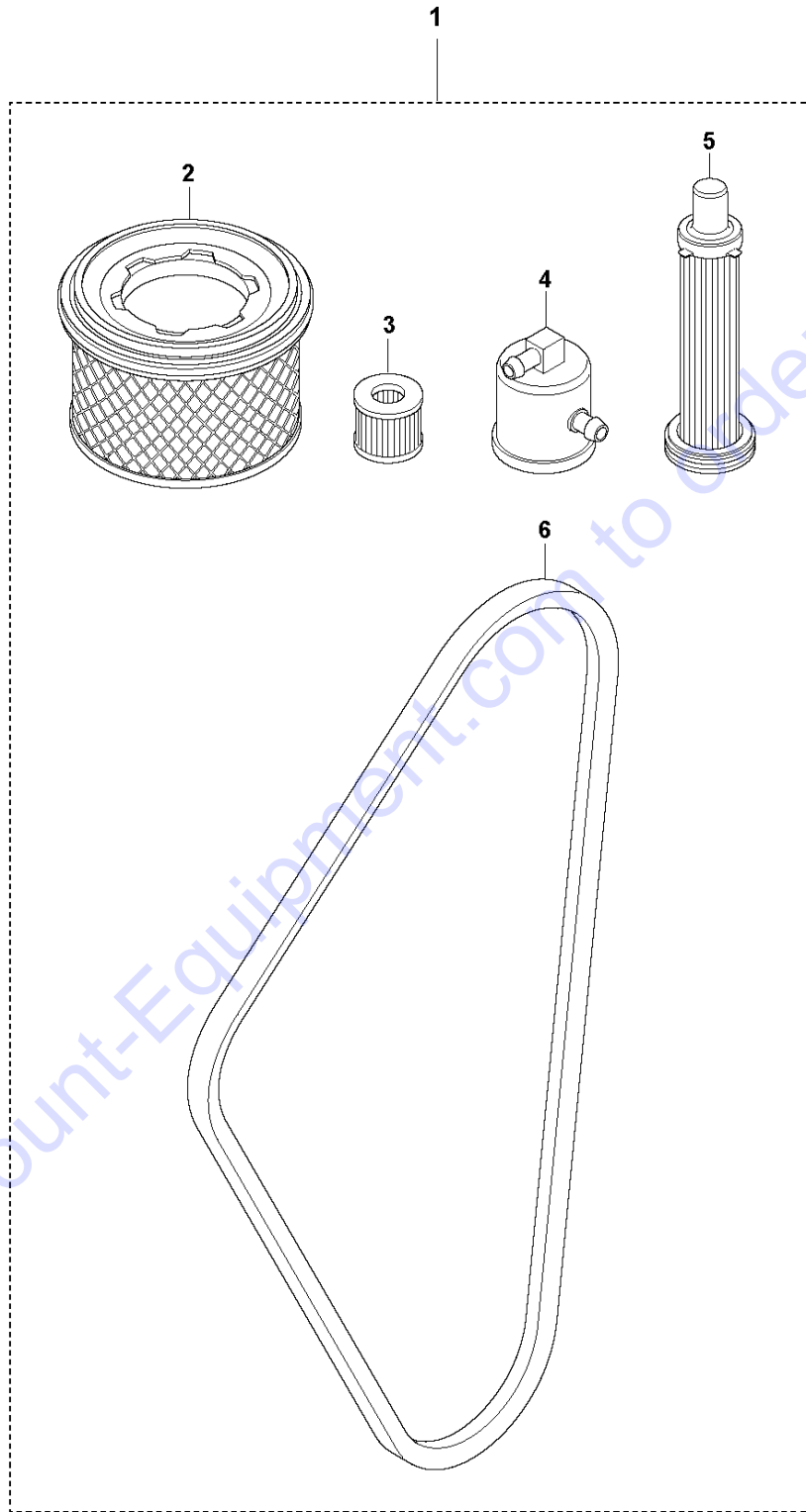
Go to Discount-Equipment.com to order your parts

START UP KIT - LOMBARDINI LG 400, 967855401, 967855402, 967896401, 967896403, 2019-08

Ref	Part No	Description	Remark	QTY KIT	
1	594 21 74-01	SERVICE KIT		1	
2	594 21 53-01	SERVICE KIT		1	1
3	594 19 74-01	AIR FILTER		1	1, 2
4	594 19 73-01	FUEL FILTER		1	1, 2
5	594 19 75-01	OIL FILTER		1	1, 2
6	594 44 55-01	AIR FILTER		1	1, 2
7	594 33 29-01	BELT		2	1, 2
8	595 13 24-01	SERVICE KIT		1	1
9	594 19 74-01	AIR FILTER		1	1, 8
10	594 19 73-01	FUEL FILTER		1	1, 8
11	594 19 75-01	OIL FILTER		1	1, 8
12	594 19 75-01	OIL FILTER		1	1

Go to Discount-Equipment.com to order your parts

Y LG 400
12 MONTHS / 500 HOURS SERVICE KIT - LOMBARDINI



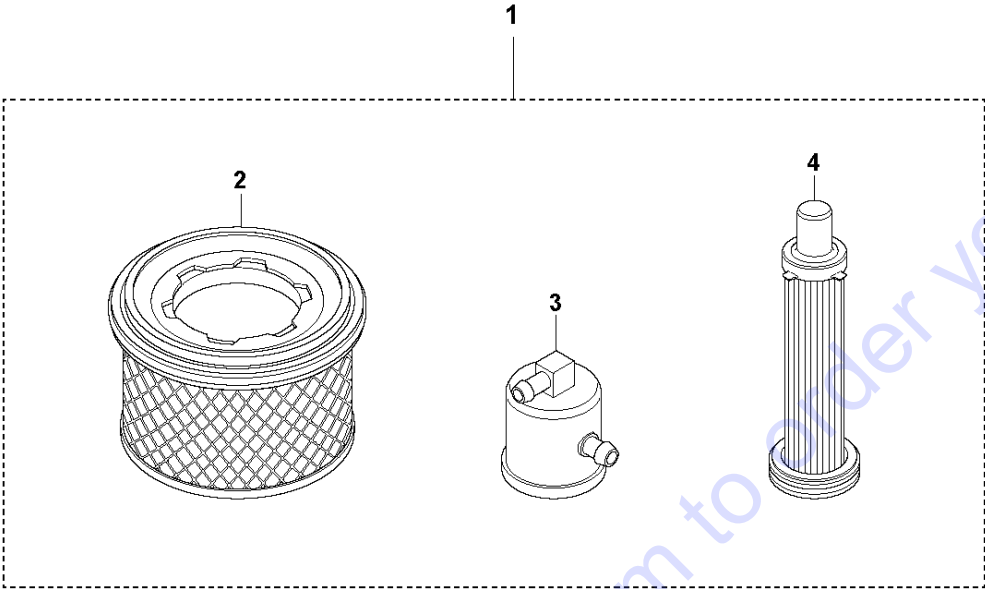
12 MONTHS / 500 HOURS SERVICE KIT - LOMBARDINI
967896401, 967896403, 2019-08

LG 400, 967855401, 967855402,

Ref	Part No	Description	Remark	QTY KIT	
1	594 21 53-01	SERVICE KIT	12 months	1	
3	594 44 55-01	AIR FILTER		1	1
2	594 19 74-01	AIR FILTER		1	1
4	594 19 73-01	FUEL FILTER		1	1
5	594 19 75-01	OIL FILTER	Internal	1	1
6	594 33 29-01	BELT		2	1

Go to Discount-Equipment.com to order your parts

Z LG 400
6 MONTHS / 250 HOURS SERVICE KIT LOMBARDINI

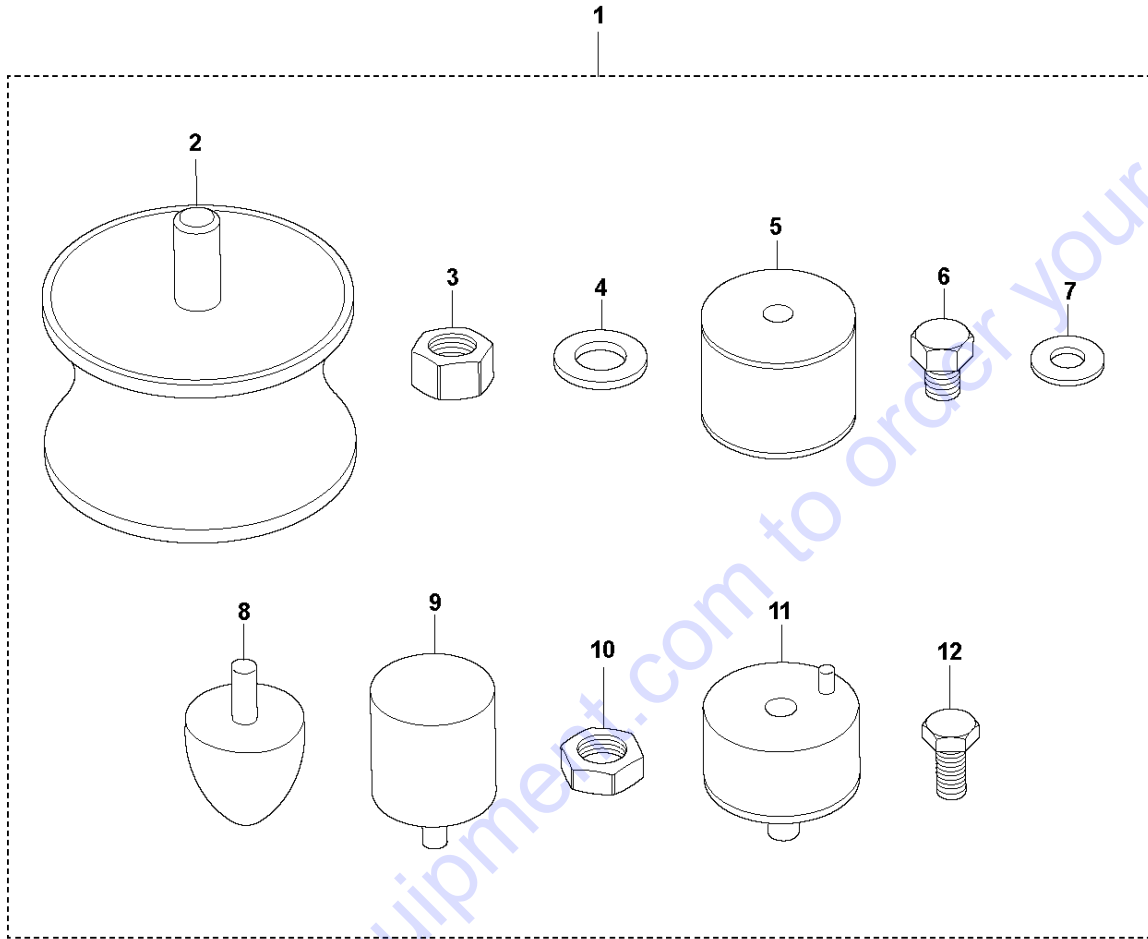


6 MONTHS / EVERY 250 HOURS KIT - LOMBARDINI LG 400, 967855401, 967855402, 967896401, 967896403, 2019-08

Ref	Part No	Description	Remark	QTY KIT	
1	595 13 24-01	SERVICE KIT	6 months	1	
2	594 19 74-01	AIR FILTER		1	1
3	594 19 73-01	FUEL FILTER		1	1
4	594 19 75-01	OIL FILTER	Internal	1	1

Go to Discount-Equipment.com to order your parts

AA LG 400
SHOCK ABSORBER REPAIR KIT



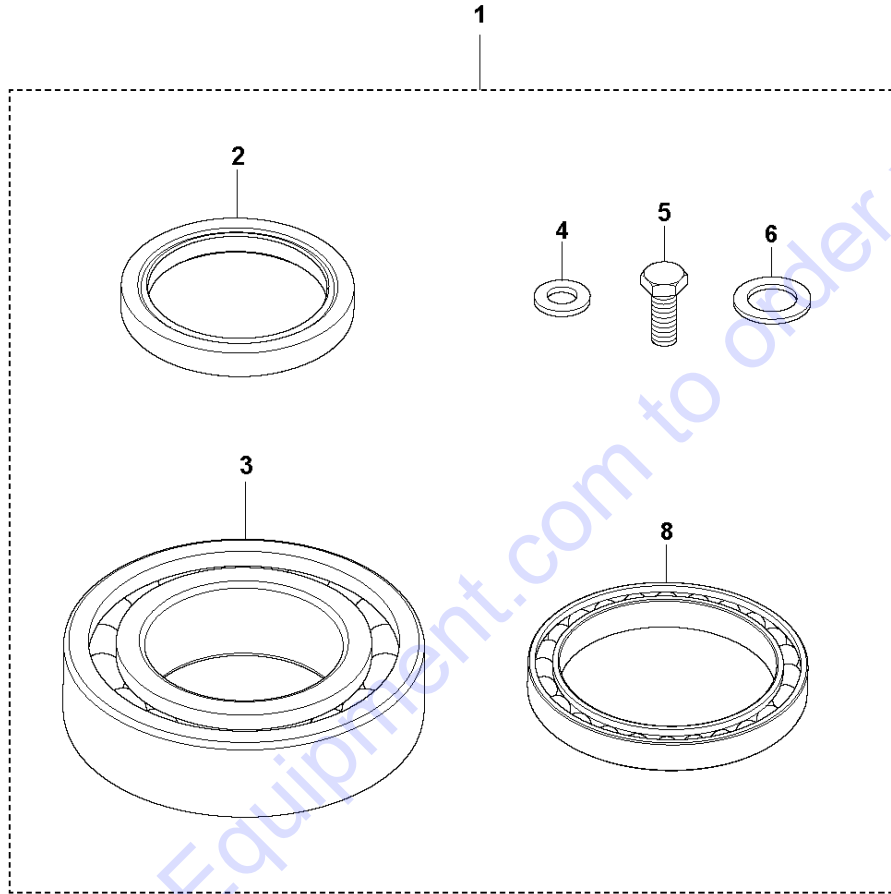
Go to Discount-Equipment.com to order your parts

SHOCK ABSORBER REPAIR KITLG 400, 967855401, 967855402, 967896401, 967896403, 2019-08

Ref	Part No	Description	Remark	QTY KIT	
1	594 19 63-01	REPAIR KIT		1	
2	594 32 32-01	ABSORBER		4	1
3	595 03 58-01	NUT		8	1
4	595 03 67-01	WASHER		4	1
5	594 14 75-01	ABSORBER		4	1
6	594 11 83-01	CAP	M10x14 din 933 - 8.8 zn	8	1
7	594 74 74-01	WASHER		10	1
8	594 52 73-01	ABSORBER		1	1
9	594 52 72-01	ABSORBER		1	1
10	595 11 22-01	HEXAGON NUT		2	1
11	594 46 27-01	ABSORBER		1	1
12	594 11 84-01	SCREW		1	1

Go to Discount-Equipment.com to order your parts

AB LG 400
ECCENTRIC ELEMENT REPAIR KIT



Go to Discount-Equipment.com to order your parts

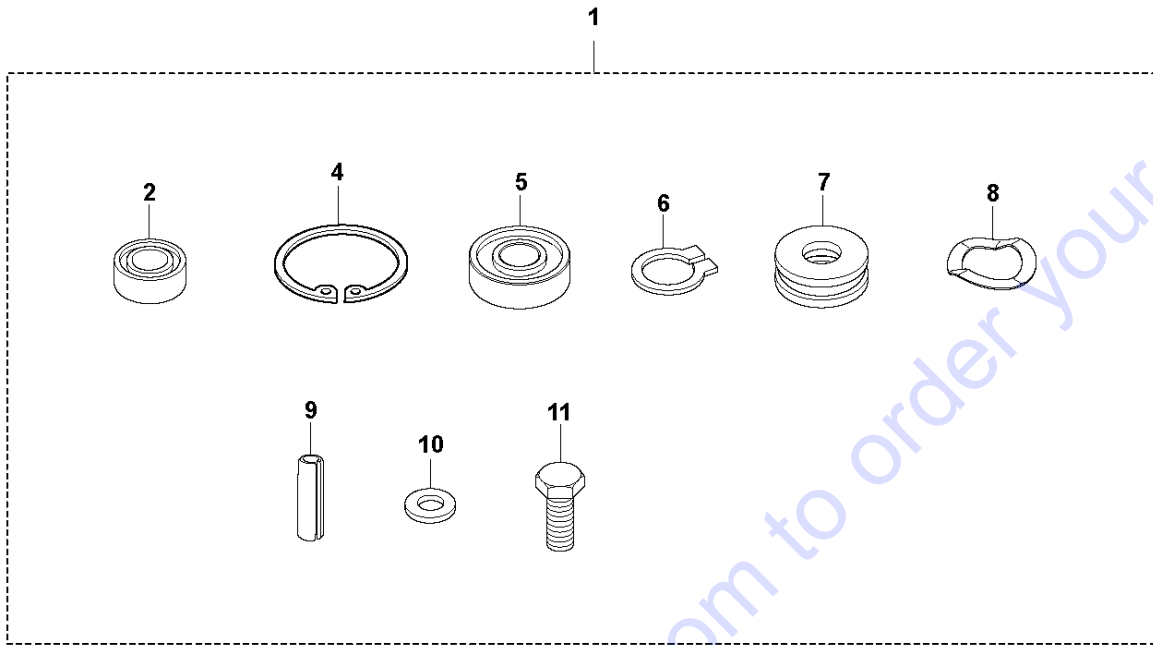
ECCENTRIC ELEMENT REPAIR KIT
2019-08

LG 400, 967855401, 967855402, 967896401, 967896403,

Ref	Part No	Description	Remark	QTY	KIT
1	594 19 68-01	REPAIR KIT		1	
2	594 54 74-01	SEALING		1	1
3	594 54 69-01	ROLLER BEARING		4	1
4	595 03 65-01	WASHER		16	1
5	595 10 98-01	SCREW		16	1
6	595 51 43-01	WASHER		1	1
8	594 54 76-01	BALL BEARING		2	1

Go to Discount-Equipment.com to order your parts

AC LG 400
FORWARD AND REVERSE PISTON REPAIR KIT



Go to Discount-Equipment.com to order your parts

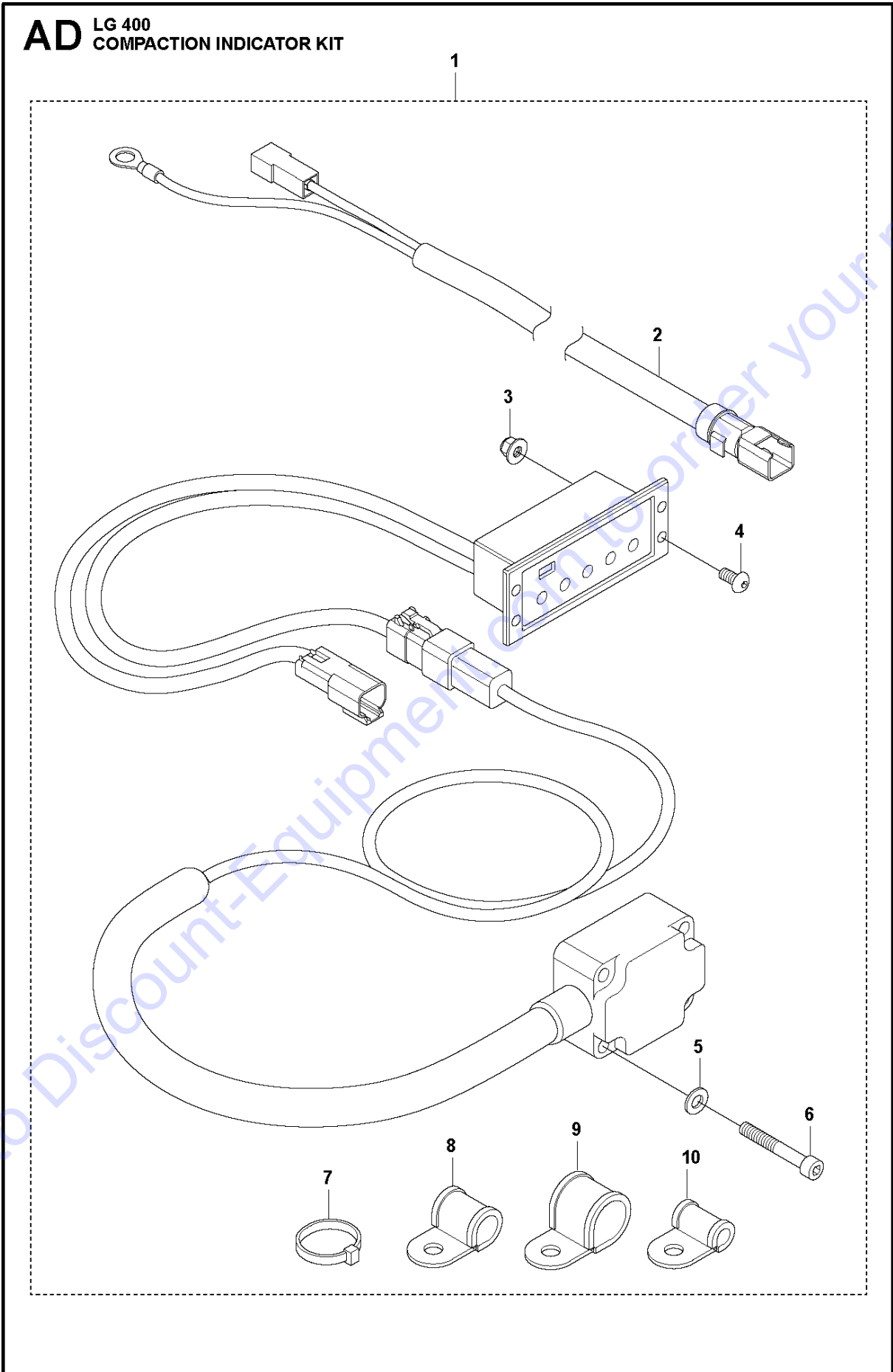
FORWARD & REVERSE PISTON REPAIR KIT
967896403, 2019-08

LG 400, 967855401, 967855402, 967896401,

Ref	Part No	Description	Remark	QTY KIT	
1	594 19 66-01	REPAIR KIT		1	
2	594 33 22-01	SEALING		1	1
4	594 26 64-01	RING		1	1
5	594 64 75-01	BALL BEARING		1	1
6	594 26 56-01	RING		1	1
7	594 64 76-01	BALL BEARING		1	1
8	594 64 77-01	SPRING WASHER		1	1
9	595 06 26-01	PIN		1	1
10	595 03 65-01	WASHER		4	1
11	595 10 98-01	SCREW		4	1

Go to Discount-Equipment.com to order your parts

AD LG 400
COMPACTION INDICATOR KIT



COMPACTION INDICATOR KIT LG 400, 967855401, 967855402, 967896401, 967896403, 2019-08

Ref	Part No	Description	Remark	QTY KIT	
1	595 52 66-01	METER	Complete	1	
2	594 64 83-01	HARNES		1	1
3	595 35 24-01	NUT	flanged M05x0,80, -8, A2K	4	1
4	594 53 57-01	SCREW	M05 x 14, A2-70, Black	4	1
5	595 03 65-01	WASHER		4	1
6	594 12 03-01	SCREW	M6 x 35	4	1
7	594 54 47-01	CABLE		8	1
8	594 12 53-01	PIPE CLAMP	13.0 8.4 20.0	3	1
9	595 29 36-01	CLAMP	20.0 8.4 20.0	1	1
10	598 19 72-01	PIPE CLAMP	08.0 8.4 20.0	3	1

Go to Discount-Equipment.com to order your parts

AE LG 400
GOLD KIT - HONDA

1

1	595389901	Gold Kit LG 400 Honda	
Ground Plate -Eccentric-Handling System LG 400 Honda			
2	Eccentric System	Shock absorber repair kit	1
3		Eccentric Element Repair Kit	1
4		Forward and reverse piston repair kit	1
5		Pulley	1
6		Hydraulic hose	1
7		Hydraulic hose	1
8		Hydraulic hose	1
9		Hydraulic hose	1
Cover			
10	Cover	Front hood	1
11		Rear Hood	1
12		Screw	14
13		Washer	14
14		Latch, complete	2
15		Screw	8
Belt Guard			
16	Belt Guard	V-belt cover	1
17		Washer	1
18		Screw	1
19		Rubber protection	1
20		Ball Joint	1
21		Washer	1
22		Nut	1
23		Bolt	4
24		Washer	5
Handle System			
25	Handle System	Lever	1
26		Bolt	7
27		Rubber cover	1
28		Rubber cover	1
29		Lever	1
30		Housing	1
31		Lever housing	1
32		Measuring nipple	1
33		Measuring nipple	1
34		Screw	2
35		Washer	2
Labeling			
36		Pin	1
37	Labeling	Label Kit LG 400 Honda	1
Engine			
38	Service Kit	One Year Service Kit Honda	1

GOLD KIT - HONDA

LG 400, 967855401, 967855402, 967896401, 967896403, 2019-08

Ref	Part No	Description	Remark	QTY KIT
1	595 38 99-01	SERVICE KIT	For LG 400 with Honda engine	1

Go to Discount-Equipment.com to order your parts

AF LG 400
SILVER KIT - HONDA

1

1	595389801	Silver Kit Silver Kit LG 400 Honda	
Ground Plate and Eccentric System			
2	Eccentric System	Shock absorber repair kit	1
3		Eccentric Element Repair Kit	1
4		Forward and reverse piston repair kit	1
5		Pulley	1
6		Hydraulic hose	1
7		Hydraulic hose	1
8		Hydraulic hose	1
9		Hydraulic hose	1
Engine			
10	Service Kit	One Year Service Kit Honda	1

SILVER KIT - HONDA

LG 400, 967855401, 967855402, 967896401, 967896403, 2019-08

Ref	Part No	Description	Remark	QTY KIT
1	595 38 98-01	SERVICE KIT	For LG 400 with Honda engine	1

Go to Discount-Equipment.com to order your parts

AG LG 400
COSMETIC KIT - HONDA

1

1	595387401	Cosmetic Kit LG 400 Honda	
2	Cover	Front hood	1
3		Rear Hood	1
4		Screw	14
5		Washer	14
6		Latch, complete	2
7		Screw	8
8		Belt Guard	V-belt cover
9	Washer		1
10	Screw		1
11	Rubber protection		1
12	Ball Joint		1
13	Washer		1
14	Nut		1
15	Handle System	Bolt	4
16		Washer	5
17		Lever	1
18		Bolt	7
19		Rubber cover	1
20		Rubber cover	1
21		Lever	1
22		Housing	1
23		Lever housing	1
24		Measuring nipple	1
25	Measuring nipple	1	
26	Screw	2	
27	Washer	2	
28	Pin	1	
29	Labeling	Label Kit LG 400 Honda	1

Go to [PartsCount-Equipment.com](http://www.PartsCount-Equipment.com) to order your parts

Ref	Part No	Description	Remark	QTY KIT
1	595 38 74-01	SERVICE KIT	For LG 400 with Honda engine	1

Go to Discount-Equipment.com to order your parts

AH LG 400
GOLD KIT - LOMBARDINI

1

1	595390101	Gold Kit LG 400 Honda	
Ground Plate -Eccentric-Handling System LG 400 Honda			
2	Eccentric System	Shock absorber repair kit	1
3		Eccentric Element Repair Kit	1
4		Forward and reverse piston repair kit	1
5		Pulley	1
6		Clutch	1
7		Hydraulic hose	1
8		Hydraulic hose	1
9		Hydraulic hose	1
Cosmetic Kit LG 400 Lombardini			
11	Cover	Front hood	1
12		Rear Hood	1
13		Screw	14
14		Washer	14
15		Latch, complete	2
16		Screw	8
17	Belt Guard	V-belt cover	1
18		Washer	1
19		Screw	1
20		Rubber protection	1
21		Ball Joint	1
22		Washer	1
23		Nut	1
24		Bolt	4
25		Washer	5
26		Lever	1
27	Bolt	7	
28	Rubber cover	1	
29	Rubber cover	1	
30	Lever	1	
31	Handle System	Housing	1
32		Lever housing	1
33		Measuring nipple	1
34		Measuring nipple	1
35		Screw	2
36		Washer	2
37		Pin	1
38		Labeling	Label Kit LG 400 Lombardini
Engine			
39	Service Kit	One Year Service Kit Lombardini	1

Go to Discount-Equipment.com to order your parts

GOLD KIT - LOMBARDINI - EPA LG 400, 967855401, 967855402, 967896401, 967896403, 2019-08

Ref	Part No	Description	Remark	QTY KIT
1	595 39 01-01	SERVICE KIT	For LG 400 with Lombardini engine, EPA version	1

Go to Discount-Equipment.com to order your parts

AJ LG 400
SILVER KIT - LOMBARDINI

1

1	595390001	Silver Kit LG 400 Lombardini EPA,	
Ground Plate -Eccentric-Handling System LG 400 Lombardini			
2	Eccentric System	Shock absorber repair kit	1
3		Eccentric Element Repair Kit	1
4		Forward and reverse piston repair kit	1
5		Pulley	1
6		Clutch	1
7		Hydraulic hose	1
8		Hydraulic hose	1
9		Hydraulic hose	1
10		Hydraulic hose	1
Engine			
11	Service Kit	One Year Service Kit Lombardini	1

Go to Discount-Equipment.com to order your parts

SILVER KIT - LOMBARDINI - EPA LG 400, 967855401, 967855402, 967896401, 967896403, 2019-08

Ref	Part No	Description	Remark	QTY KIT
1	595 39 00-01	SERVICE KIT	For LG 400 with Lombardini engine, EPA version	1

Go to Discount-Equipment.com to order your parts

AK LG 400
COSMETIC KIT - LOMBARDINI

1

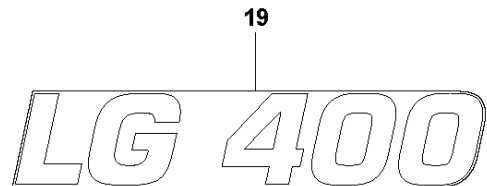
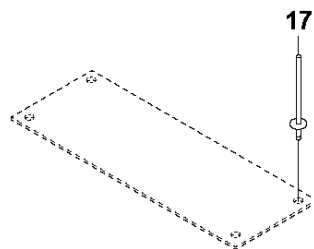
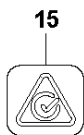
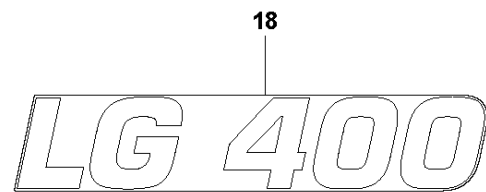
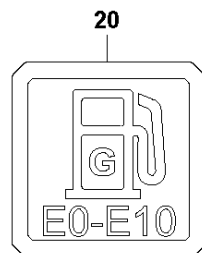
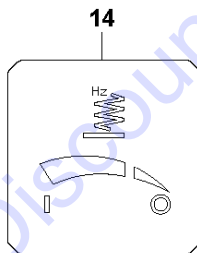
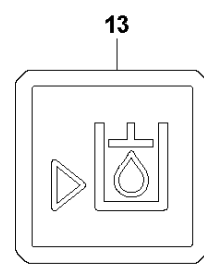
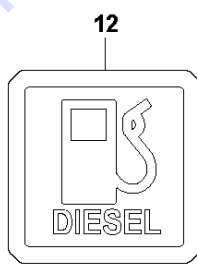
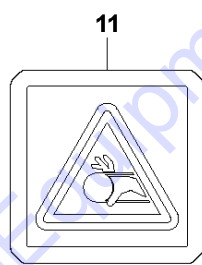
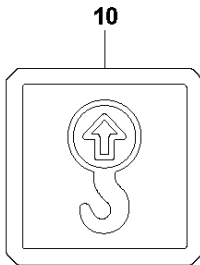
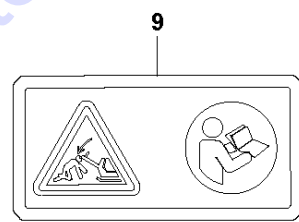
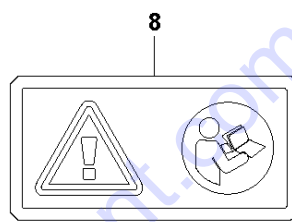
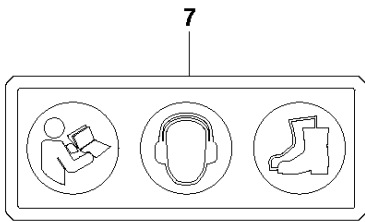
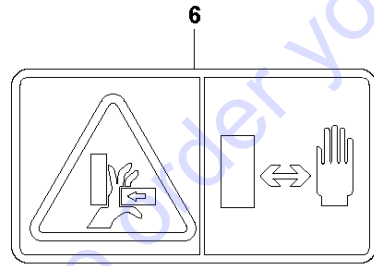
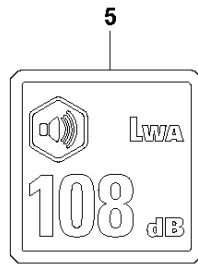
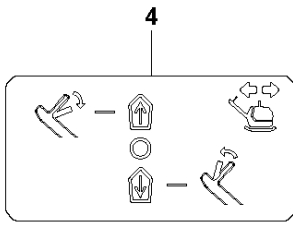
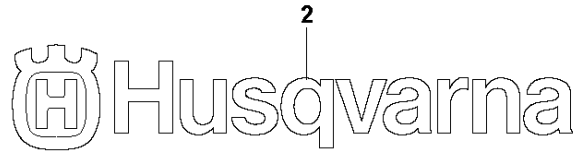
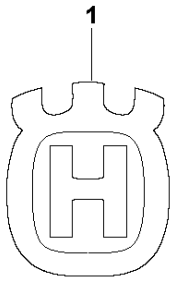
1	595387301	Cosmetic Kit LG 400 Lombardini EPA,	
2	Cover	Front hood	1
3		Rear Hood	1
4		Screw	14
5		Washer	14
6		Latch, complete	2
7		Screw	8
8		Belt Guard	V-belt cover
9	Washer		1
10	Screw		1
11	Rubber protection		1
12	Ball Joint		1
13	Washer		1
14	Nut		1
15	Bolt		4
16	Handle System	Washer	5
17		Lever	1
18		Bolt	7
19		Rubber cover	1
20		Rubber cover	1
21		Lever	1
22		Housing	1
23		Lever housing	1
24		Measuring nipple	1
25		Measuring nipple	1
26	Screw	2	
27	Washer	2	
28	Pin	1	
29	Labeling	Label Kit LG 400Lombardini	1

COSMETIC KIT - LOMBARDINI - EPA LG 400, 967855401, 967855402, 967896401, 967896403,
2019-08

Ref	Part No	Description	Remark	QTY KIT
1	595 38 73-01	SERVICE KIT	For LG 400 with Lombardini engine, EPA version	1

Go to Discount-Equipment.com to order your parts

AL LG 400
DECALS



DECALS

LG 400, 967855401, 967855402, 967896401, 967896403, 2019-08

Ref	Part No	Description	Remark	QTY KIT
1	595 37 54-01	DECAL		1
2	595 37 53-01	DECAL		1
4	594 35 39-01	DECAL		1
5	594 33 71-01	DECAL		1
6	594 53 53-01	DECAL		1
7	594 65 96-01	LABEL		1
8	595 06 57-01	DECAL		1
9	594 51 59-01	DECAL		1
10	594 35 38-01	DECAL		2
11	594 66 08-01	LABEL		4
12	594 66 16-01	LABEL	Lombardini versions only	1
13	595 04 97-01	DECAL		1
14	594 51 78-01	DECAL		1
15	595 05 12-01	DECAL		2
17	595 17 29-01	DECAL		4
18	595 37 61-01	DECAL		1
19	595 37 62-01	DECAL		1
20	594 66 02-01	LABEL	Honda versions only	1

Go to Discount-Equipment.com to order your parts

PARTS FINDER

**Search Website
by Part Number**



**Search Manual
Library For Parts
Manual & Lookup Part
Numbers – Purchase
or Request Quote**

Search Manuals

Enter your information to help us find the right parts manual for your machine.

* Brand:

* Model:

* Serial:

* Part Number:

SEARCH

**Can't Find Part or
Manual? Request Help
by Manufacturer,
Model & Description**

Parts Order Form

Please fill in the following information to help us find the right part for your machine.

Manufacturer:	<input type="text"/>
Model:	<input type="text"/>
Description:	<input type="text"/>
Part Number:	<input type="text"/>
Quantity:	<input type="text"/>
Notes:	<input type="text"/>

Submit

Discount-Equipment.com is your online resource for quality parts & equipment.

Florida: **561-964-4949** Outside Florida TOLL FREE: **877-690-3101**

Need parts?

Click on this link: <http://www.discount-equipment.com/category/5443-parts/> and choose one of the options to help get the right parts and equipment you are looking for. Please have the machine model and serial number available in order to help us get you the correct parts. If you don't find the part on the website or on one of the online manuals, please fill out the request form and one of our experienced staff members will get back to you with a quote for the right part that your machine needs.

We sell worldwide for the brands: Genie, Terex, JLG, MultiQuip, Mikasa, Essick, Whiteman, Mayco, Toro Stone, Diamond Products, Generac Magnum, Airman, Haulotte, Barreto, Power Blanket, Nifty Lift, Atlas Copco, Chicago Pneumatic, Allmand, Miller Curber, Skyjack, Lull, Skytrak, Tsurumi, Husquvarna Target, Stow, Wacker, Sakai, Mi-T-M, Sullair, Basic, Dynapac, MBW, Weber, Bartell, Bennar Newman, Haulotte, Ditch Runner, Menegotti, Morrison, Contec, Buddy, Crown, Edco, Wyco, Bomag, Laymor, EZ Trench, Bil-Jax, F.S. Curtis, Gehl Pavers, Heli, Honda, ICS/PowerGrit, IHI, Partner, Imer, Clipper, MMD, Koshin, Rice, CH&E, General Equipment, Amida, Coleman, NAC, Gradall, Square Shooter, Kent, Stanley, Tamco, Toku, Hatz, Kohler, Robin, Wisconsin, Northrock, Oztec, Toker TK, Rol-Air, APT, Wylie, Ingersoll Rand / Doosan, Innovatech, Con X, Ammann, Mecalac, Makinex, Smith Surface Prep, Small Line, Wanco, Yanmar