



# ***Operator's Manual***

***GS-1530***

***GS-1532***

***GS-1930***

***GS-1932***

***GS-2032***

***GS-2632***

***GS-3232***

***GS-2046***

***GS-2646***

***GS-3246***

CE

with  
Maintenance  
Information

Fifth Edition  
Third Printing  
Part No. 114313

---

## Important

Read, understand and obey these safety rules and operating instructions before operating this machine. Only trained and authorized personnel shall be permitted to operate this machine. This manual should be considered a permanent part of your machine and should remain with the machine at all times. If you have any questions, call Genie Industries.

---

## Contents

|  | Page |
|--|------|
| Introduction .....                             | 1    |
| Symbol and Hazard Pictorials Definitions ..... | 3    |
| General Safety .....                           | 5    |
| Personal Safety .....                          | 7    |
| Work Area Safety .....                         | 8    |
| Legend .....                                   | 16   |
| Controls .....                                 | 19   |
| Inspections .....                              | 23   |
| Operating Instructions .....                   | 38   |
| Transport and Lifting Instructions .....       | 46   |
| Maintenance .....                              | 50   |
| Specifications .....                           | 52   |

---

## Contact us:

Internet: [www.genielift.com](http://www.genielift.com)  
 e-mail: [techpub@genieind.com](mailto:techpub@genieind.com)

---

Copyright © 1997 by Genie Industries

Fifth Edition: Third Printing, February 2008

"Genie" is a registered trademark of Genie Industries in the U.S.A. and many other countries. "GS" is a trademark of Genie Industries.



Printed on recycled paper

Printed in U.S.A.



## Introduction

### Owners, Users and Operators:

Genie appreciates your choice of our machine for your application. Our number one priority is user safety, which is best achieved by our joint efforts. We feel that you make a major contribution to safety if you, as the equipment users and operators:

- 1 Comply** with employer, job site and governmental rules.
- 2 Read, understand and follow** the instructions in this and other manuals supplied with this machine.
- 3 Use good safe work practices** in a commonsense way.
- 4 Only have trained/certified operators**, directed by informed and knowledgeable supervision, running the machine.

If there is anything in this manual that is not clear or which you believe should be added, please contact us.

Internet: [www.genielift.com](http://www.genielift.com)

E-mail: [techpub@genieind.com](mailto:techpub@genieind.com)



---

### Danger

Failure to obey the instructions and safety rules in this manual will result in death or serious injury.

---

### Do Not Operate Unless:

- You learn and practice the principles of safe machine operation contained in this operator's manual.

#### 1 Avoid hazardous situations.

**Know and understand the safety rules before going on to the next section.**

- 2 Always perform a pre-operation inspection.
- 3 Always perform function tests prior to use.
- 4 Inspect the workplace.
- 5 Only use the machine as it was intended.

- You read, understand and obey the manufacturer's instructions and safety rules—safety and operator's manuals and machine decals.
- You read, understand and obey employer's safety rules and work site regulations.
- You read, understand and obey all applicable governmental regulations.
- You are properly trained to safely operate the machine.

## Introduction

### Hazard Classification

Genie uses symbols, color coding and signal words to identify the following:



Safety alert symbol—used to alert you to potential personal injury hazards. Obey all safety messages that follow this symbol to avoid possible injury or death.

#### **▲ DANGER**

Red

Indicates a hazardous situation which, if not avoided, will result in death or serious injury.

#### **▲ WARNING**

Orange

Indicates a hazardous situation which, if not avoided, could result in death or serious injury.

#### **▲ CAUTION**

Yellow

Indicates a hazardous situation which, if not avoided, could result in minor or moderate injury.

#### **NOTICE**

Blue

Indicates a hazardous situation which, if not avoided, could result in property damage.


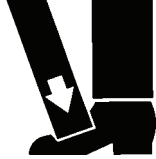

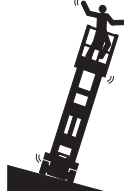


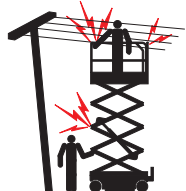




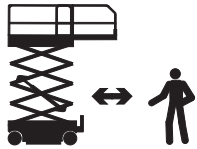



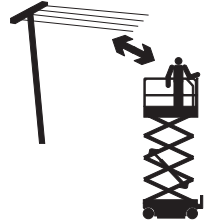


### Intended Use

This machine is intended to be used only to lift personnel, along with their tools and materials to an aerial work site.

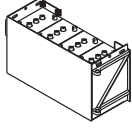


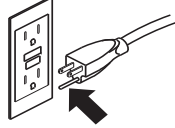


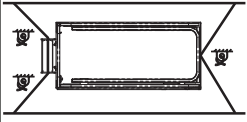



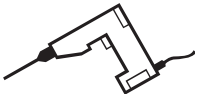
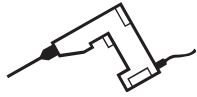
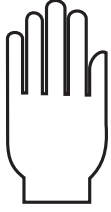
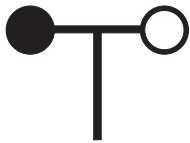

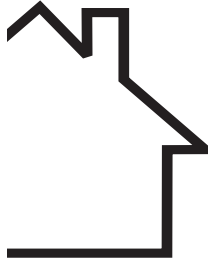
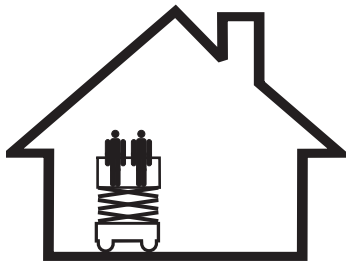
### Safety Sign Maintenance

Replace any missing or damaged safety signs. Keep operator safety in mind at all times. Use mild soap and water to clean safety signs. Do not use solvent-based cleaners because they may damage the safety sign material.

## Symbol and Hazard Pictorials Definitions

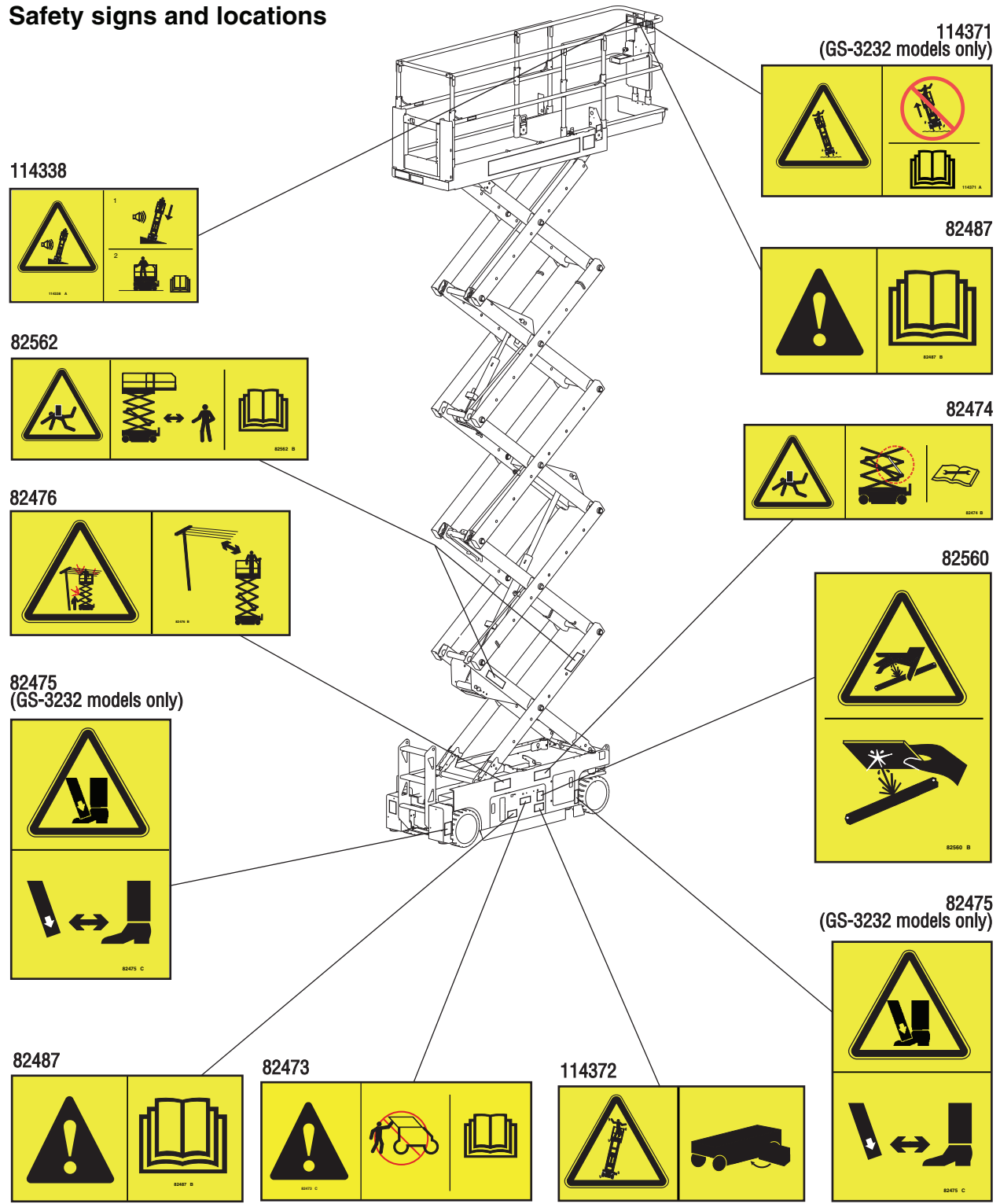
|   |   |   |  |   |
|---|---|---|--|---|
|    |    |    |    |    |
| Read the operator's manual  | Read the service manual   | Crush hazard  | Crush hazard   | Collision hazard  |
|    |    |    |   |    |
| Tip-over hazard   | Tip-over hazard   | Tip-over hazard   | Tip-over hazard  | Electrocution hazard  |
|   |   |   |   |   |
| Electrocution hazard  | Explosion hazard  | Fire hazard   | Burn hazard  | Skin injection hazard   |
|  |  |  |  |  |
| Engage safety arm   | Keep away from moving parts   | Keep clear of outriggers and tires  | Move machine to level ground   | Close chassis tray  |
|  |  |  |  |  |
| Lower the platform  | Do not set up where it cannot be leveled with outriggers                            | Maintain required clearance   | Only trained maintenance personnel should access compartments                        | Use a piece of cardboard or paper to search for leaks                                 |

## Symbol and Hazard Pictorials Definitions

|  |  |   |  |  |
|--|--|---|--|--|
|  <p>Batteries used as counterweights</p>      |  <p>Chock the wheels</p>                          |  <p>Release brakes</p> |  <p>Grounded AC 3-wire only</p>  |  <p>Replace damaged wires and cords</p> |
|  <p>Wheel load</p>                            |  <p>Transport diagram</p>                         |  <p>Tiedown</p>        |  <p>Lanyard attachment point</p> |  <p>No smoking</p>                      |
|  <p>Voltage rating for power to platform</p> |  <p>Pressure rating for air line to platform</p> |  <p>Side force</p>    |  <p>Windspeed</p>              |  |
|  <p>Maximum capacity</p>                    |  <p>Outdoor</p>                                 |   |  <p>Indoor</p>                |  |

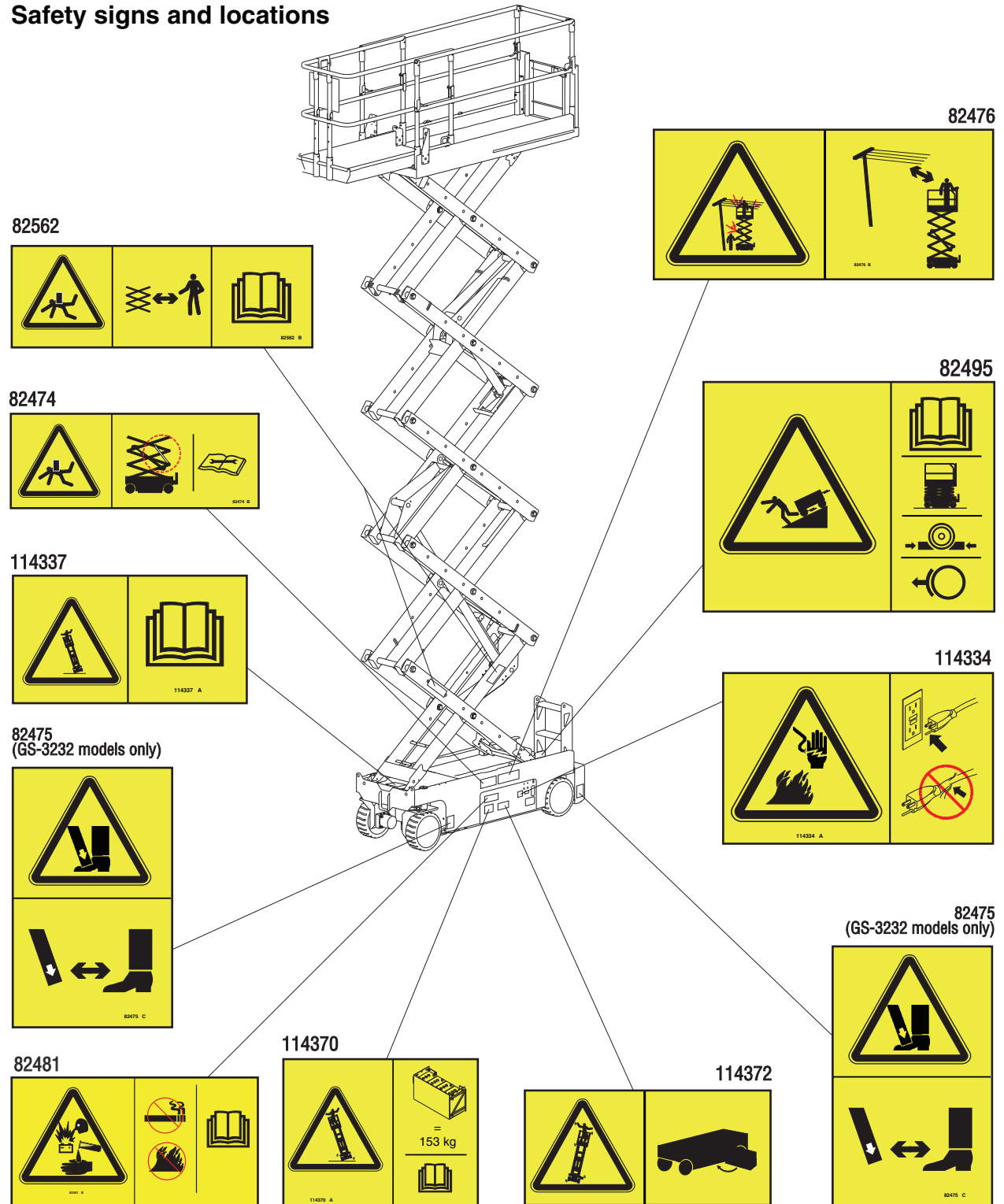
# General Safety

## Safety signs and locations



# General Safety

## Safety signs and locations





## Personal Safety

### Fall Protection

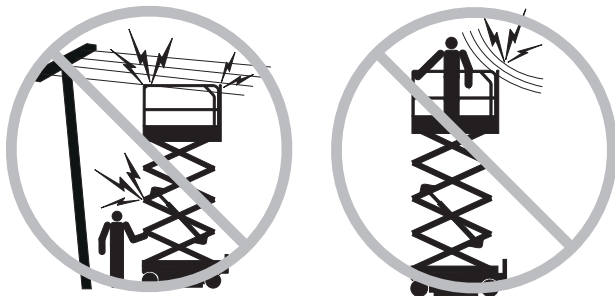
Personal fall protection equipment (PFPE) is not required when operating this machine. If PFPE is required by job site or employer rules, the following shall apply:

All PFPE must comply with applicable governmental regulations and must be inspected and used in accordance with the manufacturer's instructions.

## Work Area Safety

### ⚠️ Electrocuting Hazards

This machine is not electrically insulated and will not provide protection from contact with or proximity to electrical current.



Maintain safe distances from electrical power lines and apparatus in accordance with applicable governmental regulations and the following chart.

| Line Voltage    | Required Clearance |
|-----------------|--------------------|
| 0 to 50KV       | 3.05 m             |
| 50KV to 200KV   | 4.60 m             |
| 200KV to 350KV  | 6.10 m             |
| 350KV to 500KV  | 7.62 m             |
| 500KV to 750KV  | 10.67 m            |
| 750KV to 1000KV | 13.72 m            |

Allow for platform movement, electrical line sway or sag and beware of strong or gusty winds.

Keep away from the machine if it contacts energized power lines. Personnel on the ground or in the platform must not touch or operate the machine until energized power lines are shut off.

Do not operate the machine during lightning or storms.

Do not use the machine as a ground for welding.

### ⚠️ Tip-over Hazards

Occupants, equipment and materials must not exceed the maximum platform capacity.

#### Models without capacity indicator:

| Maximum Capacity    |        |
|---------------------|--------|
| GS-1530 and GS-1532 | 272 kg |
| GS-1930 and GS-1932 | 227 kg |
| GS-2032             | 363 kg |
| GS-2632             | 227 kg |
| GS-3232             | 227 kg |
| GS-2046             | 544 kg |
| GS-2646             | 454 kg |
| GS-3246             | 318 kg |

#### Models with capacity indicator:

The maximum capacity varies with the height of the platform.

| Maximum Capacity - GS-1530 and GS-1532 |                  |
|--|------------------|
| Height of platform                     | Maximum Capacity |
| 4.6 m                                  | 272 kg           |
| 4 m                                    | 390 kg           |
| 2.8 m                                  | 484 kg           |
| 1.6 m                                  | 390 kg           |
| 1 m                                    | 344 kg           |

| Maximum Capacity - GS-1930 and GS-1932 |                  |
|--|------------------|
| Height of platform                     | Maximum Capacity |
| 5.8 m                                  | 227 kg           |
| 5.2 m                                  | 320 kg           |
| 3.7 m                                  | 435 kg           |
| 1.6 m                                  | 320 kg           |
| 1 m                                    | 227 kg           |

## Work Area Safety

### Maximum Capacity - GS-2032

| Height of platform | Maximum Capacity |
|--------------------|------------------|
| 6 m                | 363 kg           |
| 5.7 m              | 512 kg           |
| 3.5 m              | 693 kg           |
| 2.4 m              | 608 kg           |
| 1 m                | 454 kg           |

### Maximum Capacity - GS-2632

| Height of platform | Maximum Capacity |
|--------------------|------------------|
| 7.9 m              | 227 kg           |
| 6.4 m              | 442 kg           |
| 4.5 m              | 479 kg           |
| 2.8 m              | 409 kg           |
| 1 m                | 281 kg           |

### Maximum Capacity - GS-3232

| Height of platform | Maximum Capacity |
|--------------------|------------------|
| 9.8 m              | 227 kg           |
| 9.1 m              | 344 kg           |
| 5.4 m              | 498 kg           |
| 3.5 m              | 433 kg           |
| 1 m                | 227 kg           |

### Maximum Capacity - GS-2046

| Height of platform | Maximum Capacity |
|--------------------|------------------|
| 6 m                | 544 kg           |
| 5.7 m              | 744 kg           |
| 3.5 m              | 985 kg           |
| 2.4 m              | 873 kg           |
| 1 m                | 635 kg           |

### Maximum Capacity - GS-2646

| Height of platform | Maximum Capacity |
|--------------------|------------------|
| 7.9 m              | 454 kg           |
| 5.9 m              | 744 kg           |
| 4.5 m              | 798 kg           |
| 2.8 m              | 701 kg           |
| 1 m                | 454 kg           |

### Maximum Capacity - GS-3246

| Height of platform | Maximum Capacity |
|--------------------|------------------|
| 9.8 m              | 318 kg           |
| 9.1 m              | 483 kg           |
| 5.4 m              | 699 kg           |
| 3.5 m              | 608 kg           |
| 1 m                | 318 kg           |

## Work Area Safety

Do not raise the platform unless the machine is on a firm, level surface.



Do not depend on the tilt alarm as a level indicator. The tilt alarm sounds on the chassis only when the machine is on a slope.

If the tilt alarm sounds:

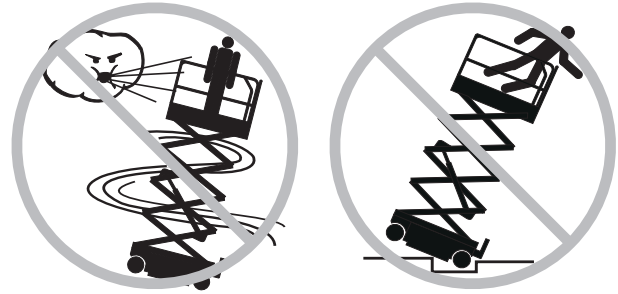
Lower the platform. Move the machine to a firm, level surface. If the tilt alarm sounds when the platform is raised, use extreme caution to lower the platform.

Do not drive over 0.8 km/h with the platform raised.

**Outdoor Use:** Do not raise the platform when wind speeds may exceed 12.5 m/s. If wind speeds exceed 12.5 m/s when the platform is raised, lower the platform and do not continue to operate the machine.

**Indoor Use:** When raising the platform, follow ratings for allowable side force and number of occupants on the next page.

Do not operate the machine in strong or gusty winds. Do not increase the surface area of the platform or the load. Increasing the area exposed to the wind will decrease machine stability.



Use extreme care and slow speeds while driving the machine in a stowed position across uneven terrain, debris, unstable or slippery surfaces and near holes and drop-offs.

Do not drive the machine on or near uneven terrain, unstable surfaces or other hazardous conditions with the platform raised.

Do not use the machine as a crane.

Do not push the machine or other objects with the platform.

Do not contact adjacent structures with the platform.

Do not tie the platform to adjacent structures.

Do not place loads outside the platform perimeter.

Do not operate the machine with the chassis trays open.

## Work Area Safety

Do not push off or pull toward any object outside of the platform.



Do not replace items critical to machine stability with items of different weight or specification.

Do not use batteries that weigh less than the original equipment. Batteries are used as counterweight and are critical to machine stability. Each battery must weigh 29.5 kg. Battery box including batteries must weigh a minimum of 152 kg.

Do not modify or alter an aerial work platform without prior written permission from the manufacturer. Mounting attachments for holding tools or other materials onto the platform, toeboards or guard rail system can increase the weight in the platform and the surface area of the platform or the load.

Do not place or attach fixed or overhanging loads to any part of this machine.

### Maximum allowable manual force

| Model   | Manual Force   | Maximum Occupants         |
|---------|----------------|---------------------------|
| GS-1530 | 400 N          | Indoor use only - 2       |
| GS-1532 | 400 N<br>200 N | Indoor - 2<br>Outdoor - 1 |
| GS-1930 | 400 N          | Indoor use only - 2       |
| GS-1932 | 400 N<br>200 N | Indoor - 2<br>Outdoor - 1 |
| GS-2032 | 400 N<br>200 N | Indoor - 2<br>Outdoor - 1 |
| GS-2632 | 400 N          | Indoor use only - 2       |
| GS-3232 | 400 N          | Indoor use only - 2       |
| GS-2046 | 400 N          | Indoor/Outdoor - 2        |
| GS-2646 | 400 N          | Indoor/Outdoor - 2        |
| GS-3246 | 400 N<br>200 N | Indoor - 2<br>Outdoor - 1 |



Do not place ladders or scaffolds in the platform or against any part of this machine.

Do not transport tools and materials unless they are evenly distributed and can be safely handled by person(s) in the platform.

Do not use the machine on a moving or mobile surface or vehicle.

Be sure all tires are in good condition, castle nuts are properly tightened and cotter pins are properly installed.

Do not alter or disable the limit switches.

Do not alter or disable machine components that in any way affect safety and stability.

## Work Area Safety

### If equipped with outriggers

Do not set the machine up where it cannot be leveled using only the outriggers.

Do not adjust the outriggers while the platform is raised.

Do not drive while the outriggers are lowered.

### ⚠️ Crushing Hazard

Keep hands and limbs out of scissors.

Keep hands clear when folding rails.

Do not work under the platform or in the scissor links without the safety arm in place.

Use common sense and planning when operating the machine with the controller from the ground. Maintain safe distances between the operator, the machine and fixed objects.

### ⚠️ Operation on Slopes Hazards

Do not drive the machine on a slope that exceeds the slope and side slope rating of the machine. Slope rating applies to machines in the stowed position.

| Model   | Maximum slope rating stowed position | Maximum side slope rating stowed position |
|---------|--------------------------------------|---|
| GS-1530 | 30% (17°)                            | 30% (17°)                                 |
| GS-1532 | 30% (17°)                            | 30% (17°)                                 |
| GS-1930 | 25% (14°)                            | 25% (14°)                                 |
| GS-1932 | 25% (14°)                            | 25% (14°)                                 |
| GS-2032 | 30% (17°)                            | 30% (17°)                                 |
| GS-2632 | 25% (14°)                            | 25% (14°)                                 |
| GS-3232 | 25% (14°)                            | 25% (14°)                                 |
| GS-2046 | 30% (17°)                            | 30% (17°)                                 |
| GS-2646 | 30% (17°)                            | 30% (17°)                                 |
| GS-3246 | 25% (14°)                            | 25% (14°)                                 |

Note: Slope rating is subject to ground conditions and adequate traction.

### ⚠️ Fall Hazards

The guard rail system provides fall protection. If occupants of the platform are required to wear personal fall protection equipment (PFPE) due to job site or employer rules, PFPE and its use shall be in accordance with the PFPE manufacturer's instructions and applicable governmental requirements. Use approved lanyard attachment point provided.

Keep the platform floor clear of debris.

Attach the platform entry chain or close the entry gate before operating.

Do not operate the machine unless the guard rails are properly installed and the entry is secured for operation.

Do not sit, stand or climb on the platform guard rails. Maintain a firm footing on the platform floor at all times.

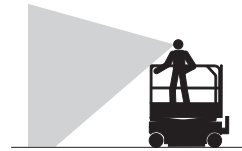


Do not climb down from the platform when raised.

Do not enter or exit the platform unless the machine is in the stowed position.

## Work Area Safety

### Collision Hazards

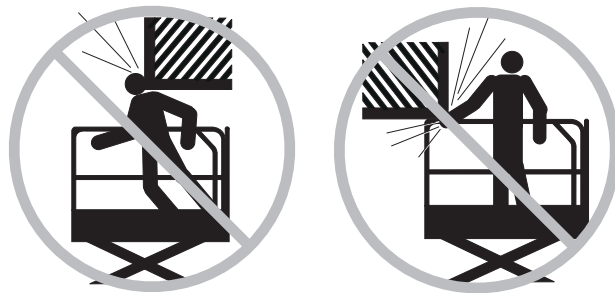


Be aware of limited sight distance and blind spots when driving or operating.

Be aware of extended platform position when moving the machine.

The machine must be on a level surface or secured before releasing the brakes.

Check the work area for overhead obstructions or other possible hazards.



Be aware of crushing hazards when grasping the platform guard rail.

Operators must comply with employer, job site and governmental rules regarding use of personal protective equipment.

Do not lower the platform unless the area below is clear of personnel and obstructions.



Limit travel speed according to the condition of the ground surface, congestion, slope, location of personnel, and any other factors which may cause collision.

Do not operate a machine in the path of any crane or moving overhead machinery unless the controls of the crane have been locked out and/or precautions have been taken to prevent any potential collision.

No stunt driving or horseplay while operating a machine.

## Work Area Safety

### **⚠ Bodily Injury Hazard**

Do not operate the machine with a hydraulic oil or air leak. An air leak or hydraulic leak can penetrate and/or burn skin.

Improper contact with components under any cover will cause serious injury. Only trained maintenance personnel should access compartments. Access by the operator is only advised when performing a pre-operation inspection. All compartments must remain closed and secured during operation.

### **⚠ Explosion and Fire Hazards**

Do not operate the machine or charge the battery in hazardous locations or locations where potentially flammable or explosive gases or particles may be present.

### **⚠ Damaged Machine Hazards**

Do not use a damaged or malfunctioning machine.

Conduct a thorough pre-operation inspection of the machine and test all functions before each work shift. Immediately tag and remove from service a damaged or malfunctioning machine.

Be sure all maintenance has been performed as specified in this manual and the appropriate service manual.

Be sure all decals are in place and legible.

Be sure the operator's, safety, and responsibilities manuals are complete, legible and in the storage container located on the platform.

### **⚠ Component Damage Hazards**

Do not use any battery charger greater than 24V to charge the batteries.

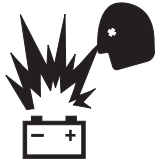
Do not use the machine as a ground for welding.



## Work Area Safety

### **⚠ Battery Safety**

#### **Burn Hazards**



Batteries contain acid. Always wear protective clothing and eye wear when working with batteries.



Avoid spilling or contacting battery acid. Neutralize battery acid spills with baking soda and water.

Do not expose the batteries or the charger to water or rain during charging.

#### **Explosion Hazards**



Keep sparks, flames and lighted tobacco away from batteries. Batteries emit an explosive gas.



The battery tray should remain open during the entire charging cycle.

Do not contact the battery terminals or the cable clamps with tools that may cause sparks.

#### **Component Damage Hazard**

Do not use any battery charger greater than 24V to charge the batteries.

#### **Electrocution/Burn Hazards**



Connect the battery charger to a grounded, AC 3-wire electrical outlet only.

Inspect daily for damaged cords, cables and wires. Replace damaged items before operating.

Avoid electrical shock from contact with battery terminals. Remove all rings, watches and other jewelry.

#### **Tip-over Hazard**

Do not use batteries that weigh less than the original equipment. Batteries are used as counterweight and are critical to machine stability. Each battery must weigh 29.5 kg. Battery tray including batteries must weigh a minimum of 152 kg.

#### **Lifting Hazard**

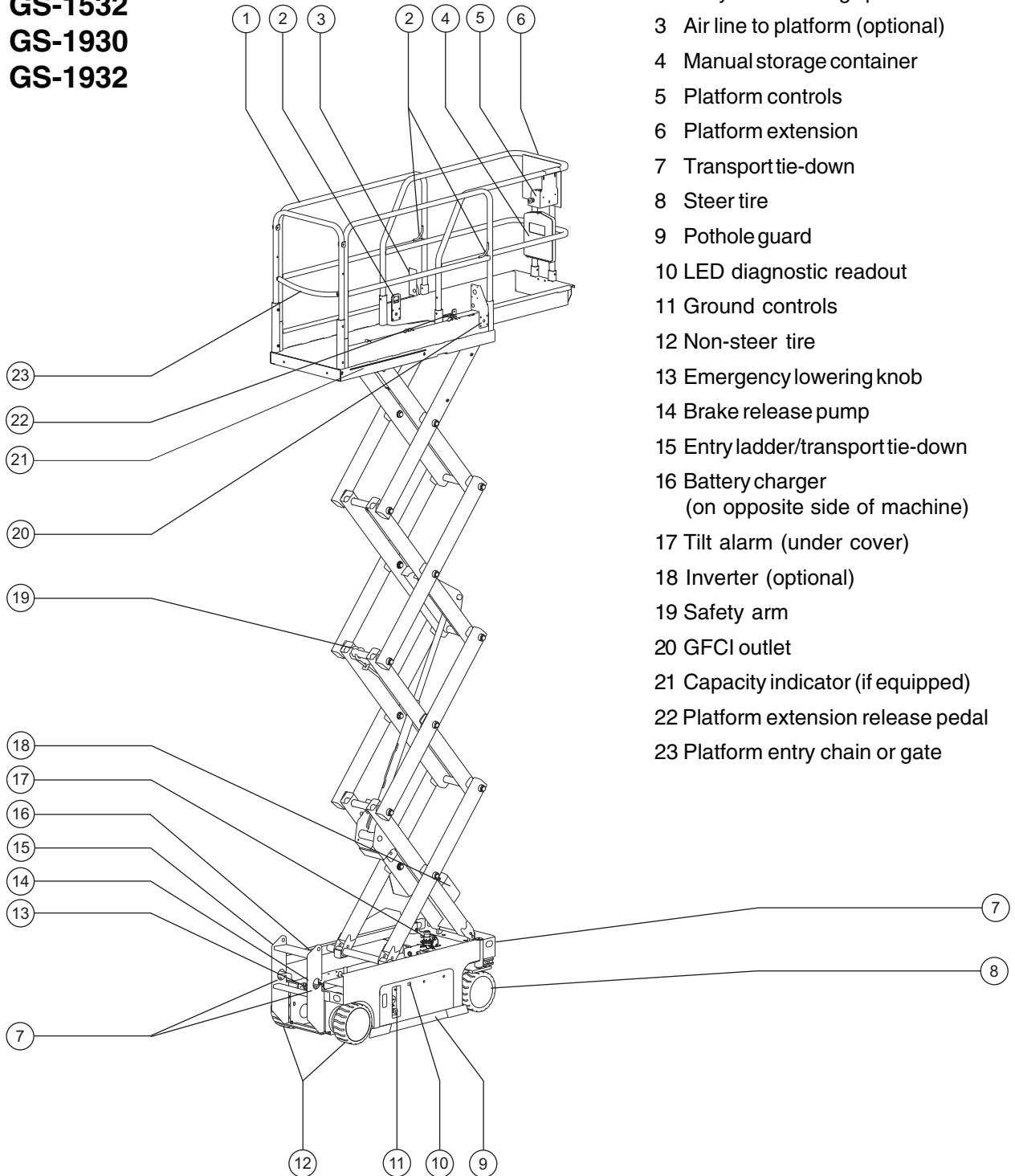
Use the appropriate number of people and proper lifting techniques when lifting batteries.

#### **Lockout After Each Use**

- 1 Select a safe parking location—firm level surface, clear of obstruction and traffic.
- 2 Lower the platform.
- 3 Turn the key switch to the off position and remove the key to secure from unauthorized use.
- 4 Chock the wheels.
- 5 Charge the batteries.

### Legend

**GS-1530**  
**GS-1532**  
**GS-1930**  
**GS-1932**

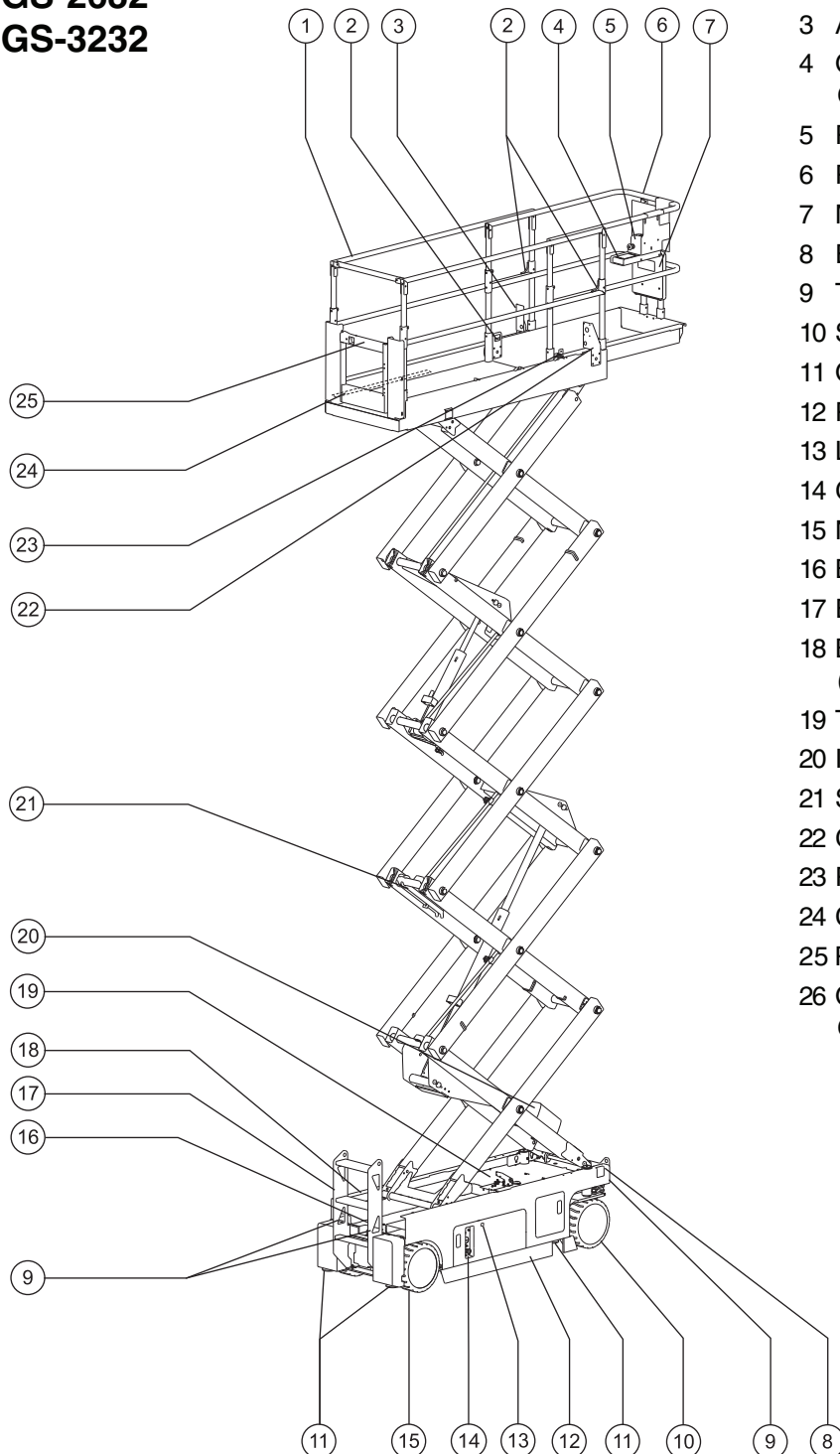


- 1 Platform guard rails
- 2 Lanyard anchorage point
- 3 Air line to platform (optional)
- 4 Manual storage container
- 5 Platform controls
- 6 Platform extension
- 7 Transport tie-down
- 8 Steer tire
- 9 Pothole guard
- 10 LED diagnostic readout
- 11 Ground controls
- 12 Non-steer tire
- 13 Emergency lowering knob
- 14 Brake release pump
- 15 Entry ladder/transport tie-down
- 16 Battery charger  
(on opposite side of machine)
- 17 Tilt alarm (under cover)
- 18 Inverter (optional)
- 19 Safety arm
- 20 GFCI outlet
- 21 Capacity indicator (if equipped)
- 22 Platform extension release pedal
- 23 Platform entry chain or gate

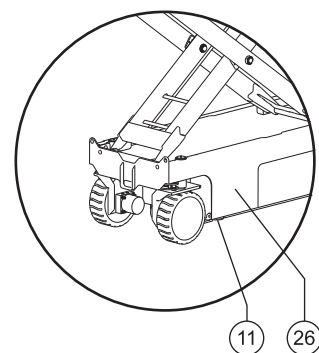


### Legend

**GS-2032**  
**GS-2632**  
**GS-3232**

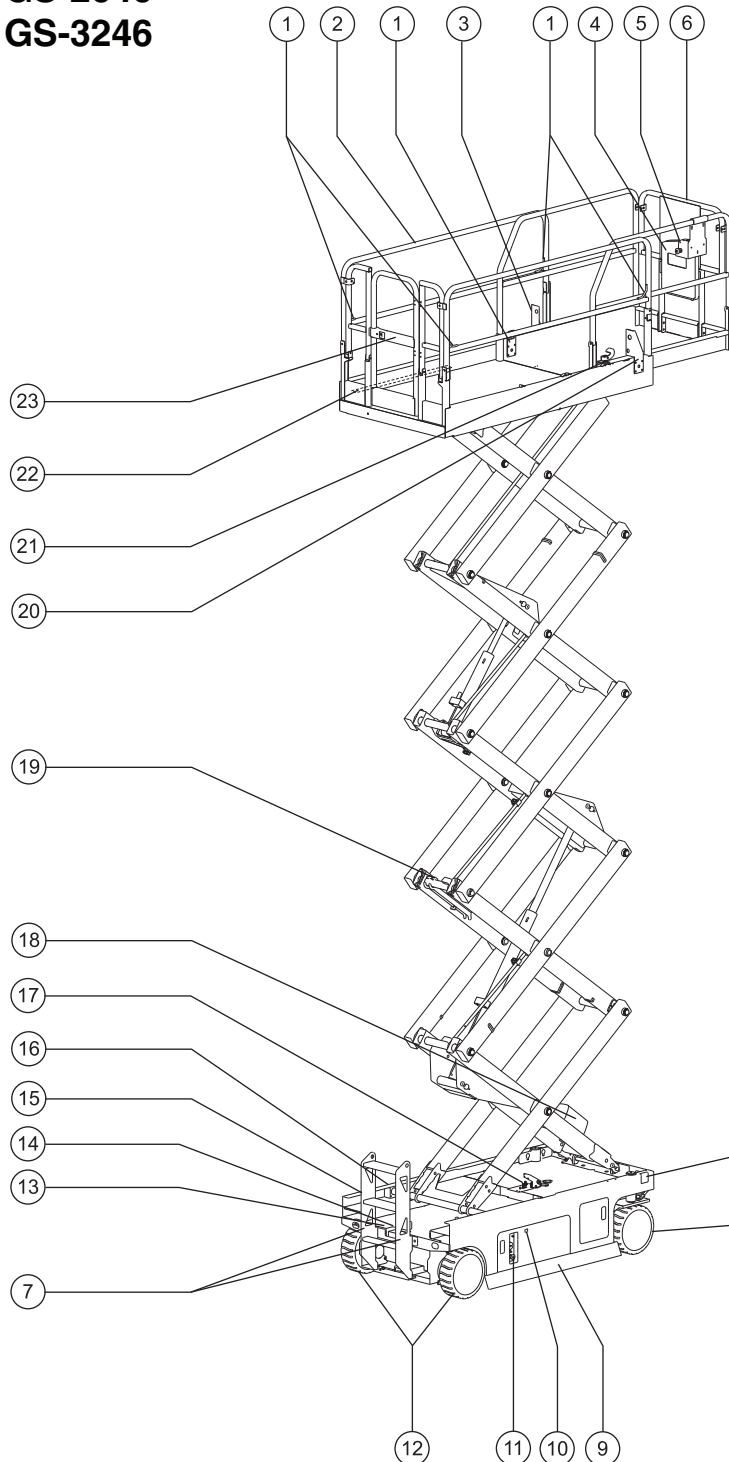


- 1 Platform guard rails
- 2 Lanyard anchorage point
- 3 Air line to platform (optional)
- 4 Outrigger controls - GS-3232 models
- 5 Platform controls
- 6 Platform extension
- 7 Manual storage container
- 8 Emergency lowering knob
- 9 Transport tie-down
- 10 Steer tire
- 11 Outrigger - GS-3232 models
- 12 Pothole guard
- 13 LED diagnostic readout
- 14 Ground controls
- 15 Non-steer tire
- 16 Brake release pump
- 17 Entry ladder/transport tie-down
- 18 Battery charger (on opposite side of machine)
- 19 Tilt alarm (under cover)
- 20 Inverter (optional)
- 21 Safety arm
- 22 GFCI outlet
- 23 Platform extension release pedal
- 24 Capacity indicator (if equipped)
- 25 Platform entry chain or gate
- 26 Outrigger control ECM - GS-3232 models



### Legend

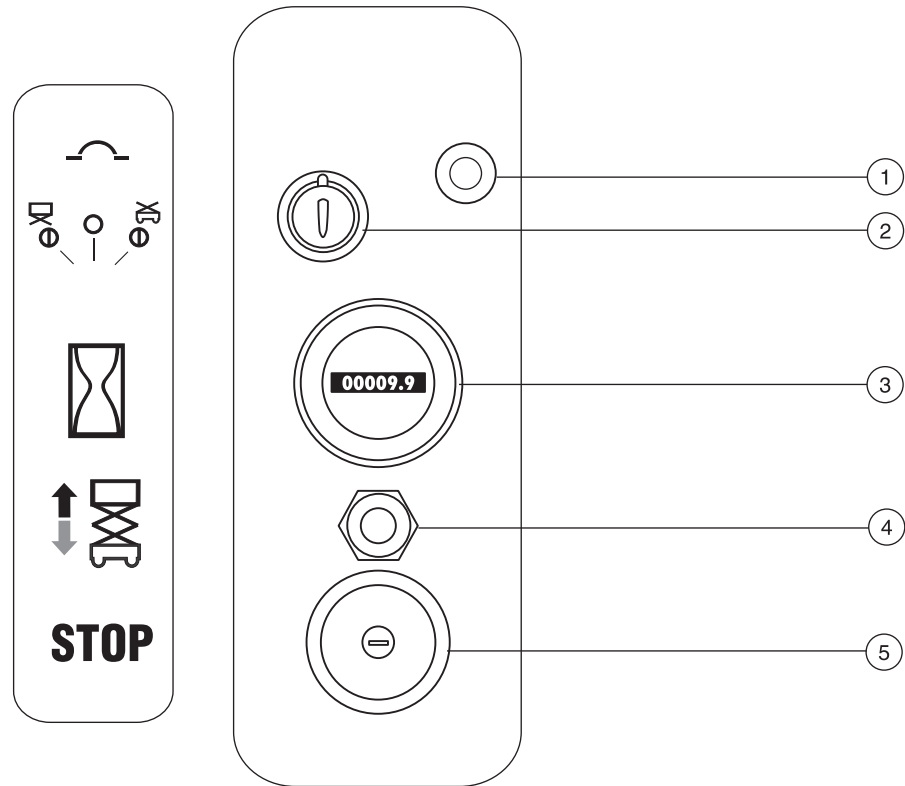
**GS-2046**  
**GS-2646**  
**GS-3246**



- 1 Lanyard anchorage point
- 2 Platform guard rails
- 3 Air line to platform (optional)
- 4 Manual storage container
- 5 Platform controls
- 6 Platform extension
- 7 Transport tie-down
- 8 Steer tire
- 9 Pothole guard
- 10 LED diagnostic readout
- 11 Ground controls
- 12 Non-steer tire
- 13 Emergency lowering knob
- 14 Brake release pump
- 15 Entry ladder/transport tie-down
- 16 Battery charger  
(on opposite side of machine)
- 17 Tilt alarm (under cover)
- 18 Inverter (optional)
- 19 Safety arm
- 20 GFCI outlet
- 21 Platform extension release pedal
- 22 Capacity indicator (if equipped)
- 23 Platform entry chain or gate



## Controls



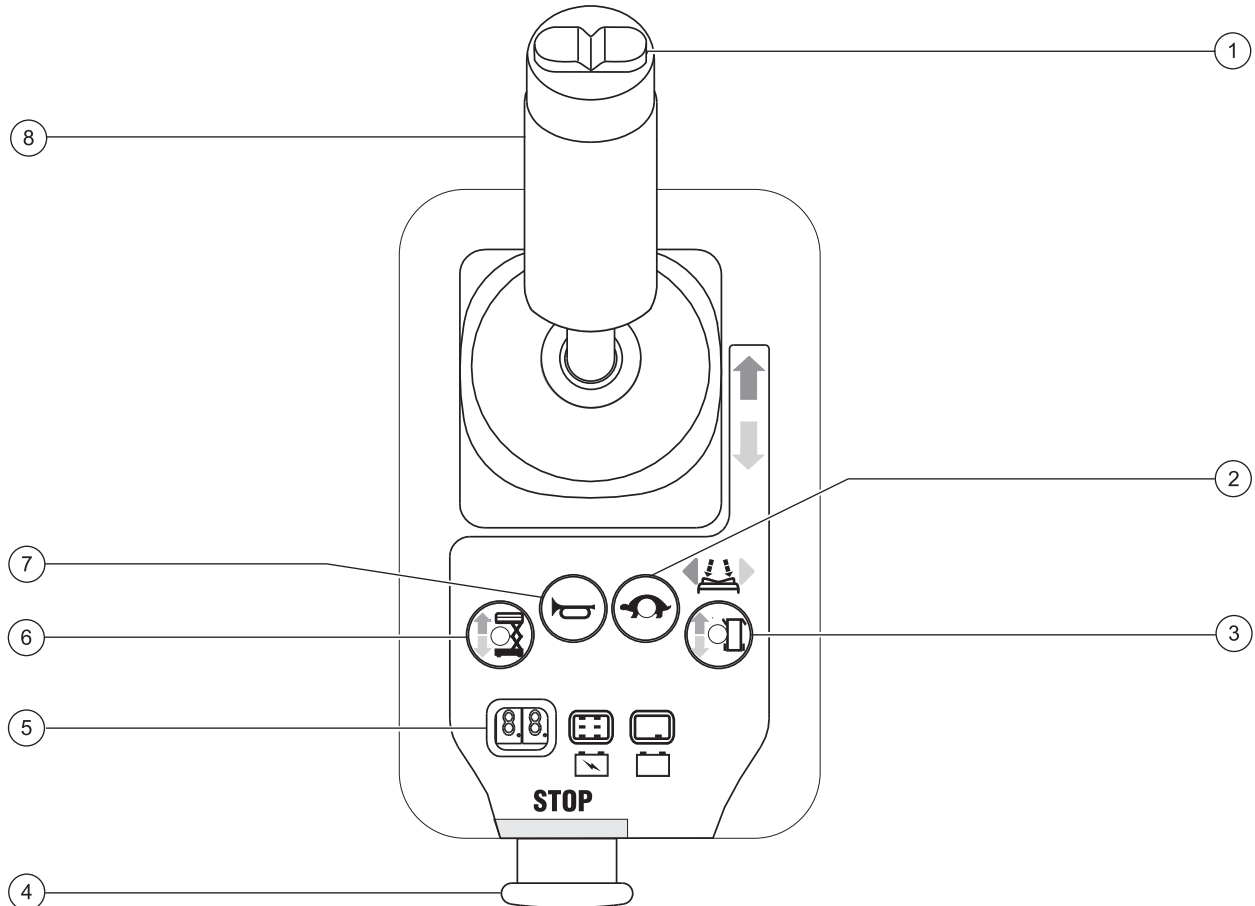
### Ground Control Panel

- 1 7 amp breaker for electric circuits
- 2 Key switch for platform/off/ground selection  
Turn the key switch to the platform position and the platform controls will operate. Turn the key switch to the off position and the machine will be off. Turn the key switch to the base position and the ground controls will operate.
- 3 Hour meter  
Indicates the number of hours the machine has been put into use.

- 4 Platform up/down toggle switch  
Move the switch up and the platform will raise. Move the switch down and the platform will lower.
- 5 Red Emergency Stop button  
Push in the red Emergency Stop button to the off position to stop all functions. Pull out the red Emergency Stop button to the on position to operate the machine.



## Controls



### Platform Control Panel

- |   |   |
|---|---|
| 1 Thumb rocker switch for steer functions | 5 LED   |
| 2 Drive speed button                      | 6 Lift function select button   |
| 3 Drive function select button            | 7 Horn button   |
| 4 Red Emergency Stop button               | 8 Proportional control handle and function enable switch for lift and drive functions |

## Controls

### Platform Control Panel

- 1 Thumb rocker switch for steer functions

Press the thumb rocker switch in either direction to activate steer function.

- 2 Drive speed button

Press this button to activate the slow or fast drive function.

- 3 Drive function select button

Press this button to activate the drive function.



- 4 Red Emergency Stop button

Push in the red Emergency Stop button to the off position to stop all functions. Pull out the red Emergency Stop button to the on position to operate the machine.

- 5 LED

Diagnostic read out, battery charge indicator and platform overload indicator.

- 6 Lift function select button

Press this button to activate the lift function.



- 7 Horn Button

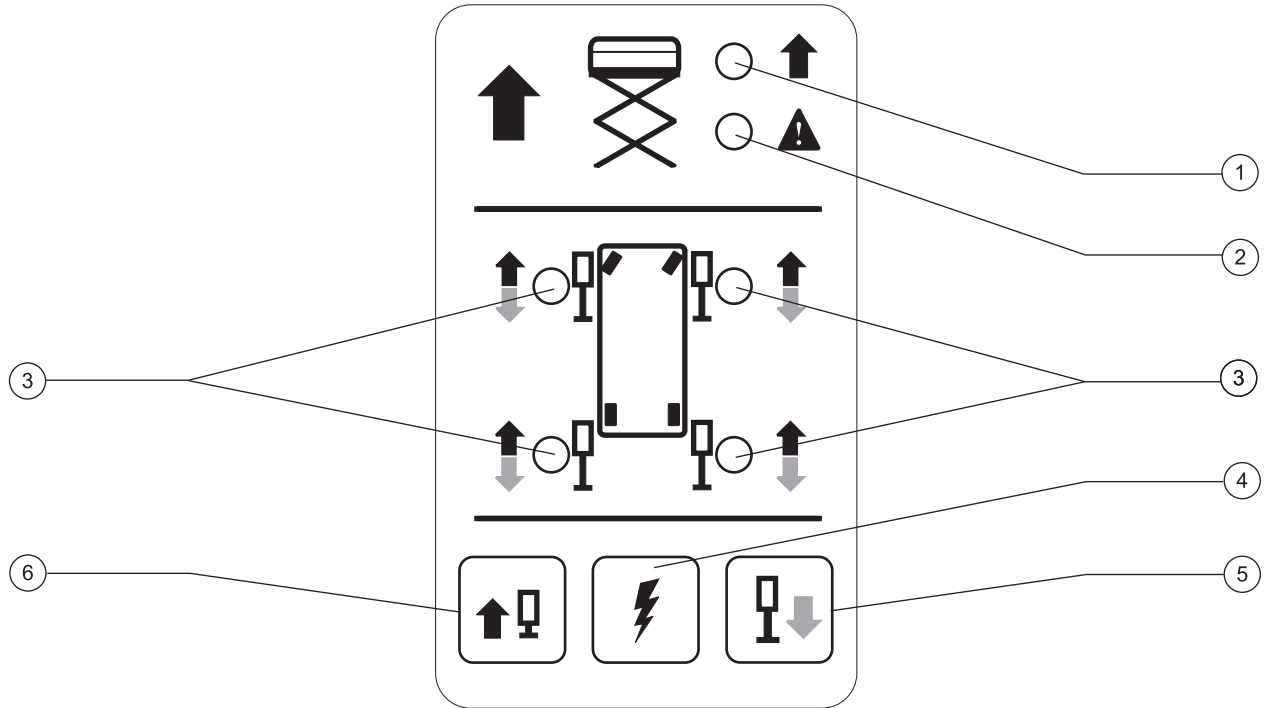
Push the horn button and the horn will sound. Release the horn button and the horn will stop.

- 8 Proportional control handle and function enable switch for lift and drive functions

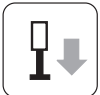

Lift function: Move the control handle in the direction indicated by the blue arrow and the platform will raise. Move the control handle in the direction indicated by the yellow arrow and the platform will lower. The descent alarm will sound while the platform is lowering.

Drive function: Move the control handle in the direction indicated by the blue arrow on the control panel and the machine will move in the direction that the blue arrow points. Move the control handle in the direction indicated by the yellow arrow on the control panel and the machine will move in the direction that the yellow arrow points.

## Controls



### Outrigger Control Panel, GS-3232 models

- |   |   |   |
|---|---|---|
| <p>1 Lift enable indicator<br/>Turns green to indicate that the up/down functions can be operated.</p> <p>2 Lift error indicator light<br/>Turns red to indicate that the up/down functions cannot be operated.</p> <p>3 Individual outrigger function indicator lights<br/>Turns solid green to indicate the outriggers made contact with the ground. Flashes red or solid red to indicate an error.</p> | <p>4 Function enable button<br/>Press and hold the button to activate the outrigger extend or outrigger retract button.</p> <p>5 Outrigger extend button<br/>Press this button and the outriggers will extend.</p> <p>6 Outrigger retract button<br/>Press this button and the outriggers will retract.</p> |  |
|   |   |  |



## Inspections



---

### Do Not Operate Unless:

- You learn and practice the principles of safe machine operation contained in this operator's manual.
  - 1 Avoid hazardous situations.
  - 2 Always perform a pre-operation inspection.**
- Know and understand the pre-operation inspection before going on to the next section.**
- 3 Always perform function tests prior to use.
- 4 Inspect the workplace.
- 5 Only use the machine as it was intended.

### Pre-operation Inspection Fundamentals

It is the responsibility of the operator to perform a pre-operation inspection and routine maintenance.

The pre-operation inspection is a visual inspection performed by the operator prior to each work shift. The inspection is designed to discover if anything is apparently wrong with a machine before the operator performs the function tests.

The pre-operation inspection also serves to determine if routine maintenance procedures are required. Only routine maintenance items specified in this manual may be performed by the operator.

Refer to the list on the next page and check each of the items.

If damage or any unauthorized variation from factory delivered condition is discovered, the machine must be tagged and removed from service.

Repairs to the machine may only be made by a qualified service technician, according to the manufacturer's specifications. After repairs are completed, the operator must perform a pre-operation inspection again before going on to the function tests.

Scheduled maintenance inspections shall be performed by qualified service technicians, according to the manufacturer's specifications and the requirements listed in the responsibilities manual.

## Inspections

### Pre-operation Inspection

- ❑ Be sure that the operator's, safety and responsibilities manuals are complete, legible and in the storage container located in the platform.
- ❑ Be sure that all decals are legible and in place. See Inspections section.
- ❑ Check for hydraulic oil leaks and proper oil level. Add oil if needed. See Maintenance section.
- ❑ Check for battery fluid leaks and proper fluid level. Add distilled water if needed. See Maintenance section.

Check the following components or areas for damage, improperly installed or missing parts and unauthorized modifications:

- ❑ Electrical components, wiring and electrical cables
- ❑ Hydraulic hoses, fittings, cylinders and manifolds
- ❑ Battery pack and connections
- ❑ Drive motors
- ❑ Wear pads
- ❑ Tires and wheels
- ❑ Ground strap
- ❑ Limit switches, alarms and horn
- ❑ Alarms and beacons (if equipped)
- ❑ Nuts, bolts and other fasteners
- ❑ Platform entry chain or gate
- ❑ Brake release components
- ❑ Safety arm
- ❑ Platform overload components

- ❑ Pothole guards
- ❑ Platform extension
- ❑ Scissor pins and retaining fasteners
- ❑ Platform control joystick

Check entire machine for:

- ❑ Cracks in welds or structural components
- ❑ Dents or damage to machine
- ❑ Excessive rust, corrosion or oxidation
- ❑ Be sure that all structural and other critical components are present and all associated fasteners and pins are in place and properly tightened.
- ❑ Be sure side rails are installed and bolts are fastened.
- ❑ Be sure that the chassis trays are closed and latched and the batteries are properly connected.

Note: If the platform must be raised to inspect the machine, make sure the safety arm is in place. See Operating Instructions section.

## Inspections



---

### Do Not Operate Unless:

- You learn and practice the principles of safe machine operation contained in this operator's manual.
  - 1 Avoid hazardous situations.
  - 2 Always perform a pre-operation inspection.
  - 3 Always perform function tests prior to use.**
- Know and understand the function tests before going on to the next section.**
  - 4 Inspect the workplace.
  - 5 Only use the machine as it was intended.

### Function Test Fundamentals

The function tests are designed to discover any malfunctions before the machine is put into service. The operator must follow the step-by-step instructions to test all machine functions.

A malfunctioning machine must never be used. If malfunctions are discovered, the machine must be tagged and removed from service. Repairs to the machine may only be made by a qualified service technician, according to the manufacturer's specifications.

After repairs are completed, the operator must perform a pre-operation inspection and function tests again before putting the machine into service.

## Inspections

- 1 Select a test area that is firm, level and free of obstruction.
- 2 Be sure the battery pack is connected.

### At the Ground Controls

- 3 Pull out the platform and ground red Emergency Stop buttons to the on position.
- 4 Turn the key switch to ground control.
- 5 Observe the diagnostic LED readout on the platform controls.

- ⦿ Result: The LED should look like the picture at right.



### Test Emergency Stop

- 6 Push in the ground red Emergency Stop button to the off position.
- ⦿ Result: No functions should operate.
- 7 Pull out the red Emergency Stop button to the on position.

### Test the Up/Down Functions

The audible warnings on this machine and the standard horn all come from the same central alarm. The horn is a constant tone. The descent alarm sounds at 60 beeps per minute. The alarm that goes off when the pothole guards have not deployed sounds at 300 beeps per minute. The alarm that goes off when the machine is not level sounds at 600 beeps per minute. An optional automotive-style horn is also available.

- 8 Activate the up function.

- ⦿ Result: The platform should raise.

- 9 Activate the down function.

- ⦿ Result: The platform should lower. The descent alarm should sound while the platform is lowering.

### Test Emergency Lowering

- 10 Activate the up function and raise the platform approximately 60 cm.

- 11 Pull the emergency lowering knob located behind the entry ladder.

- ⦿ Result: The platform should lower. The descent alarm will not sound.

- 12 Turn the key switch to platform control.

## At the Platform Controls

### Test Emergency Stop

- 13 Push in the platform red Emergency Stop button to the off position.

- ⦿ Result: No functions should operate.

### Test the Horn

- 14 Pull out the red Emergency Stop button to the on position.

- 15 Push the horn button.

- ⦿ Result: The horn should sound.

## Inspections

### Test the Function Enable Switch

- 16 Do not hold the function enable switch on the control handle.
- 17 Slowly move the control handle in the direction indicated by the blue arrow, then in the direction indicated by the yellow arrow.
- ⦿ Result: No functions should operate.

### Test the Up/Down Functions

- 18 Press the lift function select button.
- 19 Press and hold the function enable switch on the control handle.
- 20 Slowly move the control handle in the direction indicated by the blue arrow.
- ⦿ Result: The platform should raise. The pothole guards should deploy.
- 21 Release the control handle.
- ⦿ Result: The platform should stop raising.
- 22 Press and hold the function enable switch. Slowly move the control handle in the direction indicated by the yellow arrow.
- ⦿ Result: The platform should lower. The descent alarm should sound while the platform is lowering.



### Test the Steering

Note: When performing the steer and drive function tests, stand in the platform facing the steer end of the machine.

- 23 Press the drive function select switch.
- 24 Press and hold the function enable switch on the control handle.



- 25 Depress the thumb rocker switch on top of the control handle in the direction identified by the blue triangle on the control panel.
- ⦿ Result: The steer wheels should turn in the direction that the blue triangle points on the control panel.
- 26 Depress the thumb rocker switch in the direction identified by the yellow triangle on the control panel.
- ⦿ Result: The steer wheels should turn in the direction that the yellow triangle points on the control panel.

When lowering the platform, the platform should stop when it is approximately 2.1 m from the ground. Be sure the area below the platform is clear of personnel and obstructions before continuing. To continue lowering, release the control handle, wait 5 seconds, then move the control handle again.

## Inspections

### Test Drive and Braking

- 27 Press and hold the function enable switch.
- 28 Slowly move the control handle in the direction indicated by the blue arrow on the control panel until the machine begins to move, then return the handle to the center position.
  - ⦿ Result: The machine should move in the direction that the blue arrow points on the control panel, then come to an abrupt stop.
- 29 Slowly move the control handle in the direction indicated by the yellow arrow on the control panel until the machine begins to move, then return the handle to the center position.
  - ⦿ Result: The machine should move in the direction that the yellow arrow points on the control panel, then come to an abrupt stop.

Note: The brakes must be able to hold the machine on any slope it is able to climb.

### Test the Tilt Sensor Operation

Note: Perform this test from the ground with the platform controller. Do not stand in the platform.

- 30 Fully lower the platform.
- 31 Place a 2x4 or similar piece of wood under both wheels on one side and drive the machine up onto them.
- 32 Raise the platform approximately 2.1 m from the ground.
  - ⦿ Result: The platform should stop elevating and the tilt alarm will sound at 600 beeps per minute.
- 33 Move the drive control handle in the direction indicated by the blue arrow, then move the drive control handle in the direction indicated by the yellow arrow.
  - ⦿ Result: The drive function should not work in either direction.
- 34 Lower the platform and remove both pieces of wood.

## Inspections

### Test Limited Drive Speed

- 35 Press the lift function select button.
- 36 Press and hold the function enable switch.  
Raise the platform approximately 1.2 m from the ground.
  - ⦿ Result: The pothole guards should deploy.
- 37 Press the drive function select switch.
- 38 Press and hold the function enable switch.  
Slowly move the control handle to the full drive position.
  - ⦿ Result: The maximum achievable drive speed with the platform raised should not exceed 20 cm/s.

If the drive speed with the platform raised exceeds 20 cm/s, immediately tag and remove the machine from service.

### Test the Pothole Guards

Note: The pothole guards should automatically deploy when the platform is raised. The pothole guards activate another limit switch which allows the machine to continue to function. If the pothole guards do not deploy, an alarm sounds and the machine will not drive.

- 39 Raise the platform.
  - ⦿ Result: When the platform is raised 1.2 m from the ground, the pothole guards should deploy.
- 40 Press on the pothole guards on one side, and then the other.
  - ⦿ Result: The pothole guards should not move.
- 41 Lower the platform.
  - ⦿ Result: The pothole guards should return to the stowed position.
- 42 Place a 2x4 or similar piece of wood under a pothole guard. Raise the platform.
  - ⦿ Result: Before the platform is raised 2.1 m from the ground, an alarm should sound and the drive function should not work.
- 43 Lower the platform and remove the 2x4.

## Inspections

### Test the Outrigger System

44 Press the lift function select button.

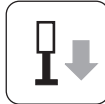
45 Press and hold the function enable switch on the control handle.

46 Slowly move the control handle in the direction indicated by the blue arrow.

⦿ Result: The platform should raise to 6.7 m and stop. The lift error indicator light will turn on.

47 Fully lower the platform.

48 Press and hold the outrigger extend button.



⦿ Result: The outriggers should not extend.

49 Press and hold the function enable button. Press and hold the outrigger extend button.



⦿ Result: The outriggers should extend. The individual outrigger LED indicator lights will turn green as the corresponding outrigger makes contact with the ground.

Continue pressing the function enable and the outrigger extend buttons until the lift enable indicator light turns green and a beep is heard. The machine is now level. At this point, the drive and steer functions are disabled.

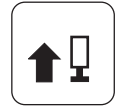
50 Press and hold the function enable switch on the control handle.

51 Slowly move the control handle in the direction indicated by the blue arrow.

⦿ Result: The platform should raise to 32 ft / 9.8 m and stop.

52 Fully lower the platform.

53 Press and hold the outrigger retract button.



⦿ Result: The outriggers should not retract.

54 Press and hold the function enable button. Press and hold the outrigger retract button.

⦿ Result: The outriggers should start retracting.

Release the function enable and the outrigger retract buttons once the outriggers are off the ground. After approximately 5 seconds, the outrigger indicator lights will turn off. All functions are now restored.

Note: The machine drive speeds are reduced the first time the drive function is enabled after retracting the outriggers. The drive speeds are restored to normal after driving for approximately 6 seconds.



## Inspections



### Do Not Operate Unless:

- You learn and practice the principles of safe machine operation contained in this operator's manual.

- 1 Avoid hazardous situations.
- 2 Always perform a pre-operation inspection.
- 3 Always perform function tests prior to use.

#### 4 Inspect the workplace.

**Know and understand the workplace inspection before going on to the next section.**

- 5 Only use the machine as it was intended.

### Fundamentals

The workplace inspection helps the operator determine if the workplace is suitable for safe machine operation. It should be performed by the operator prior to moving the machine to the workplace.

It is the operator's responsibility to read and remember the workplace hazards, then watch for and avoid them while moving, setting up and operating the machine.

### Workplace Inspection

Be aware of and avoid the following hazardous situations:

- drop-offs or holes
- bumps, floor obstructions or debris
- sloped surfaces
- unstable or slippery surfaces
- overhead obstructions and high voltage conductors
- hazardous locations
- inadequate surface support to withstand all load forces imposed by the machine
- wind and weather conditions
- the presence of unauthorized personnel
- other possible unsafe conditions

## Inspections

### Decal Inspection for models GS-1530, GS-1532, GS-1930 and GS-1932

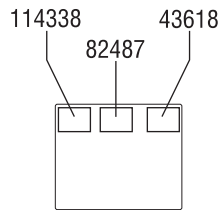
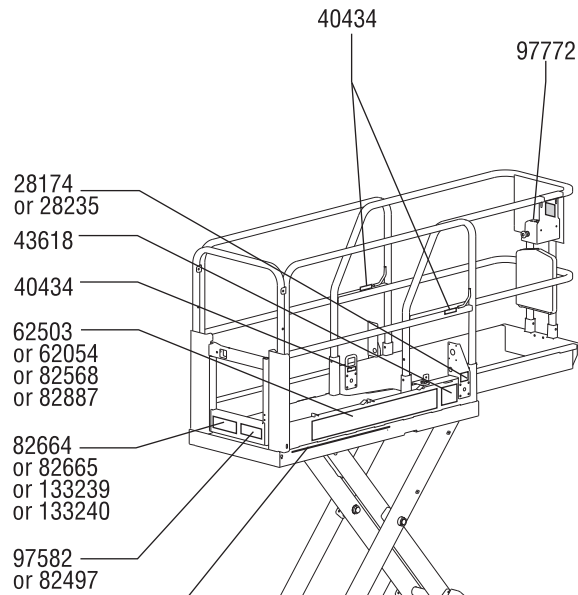
Use the pictures on the next page to verify that all decals are legible and in place.

Below is a numerical list with quantities and descriptions.

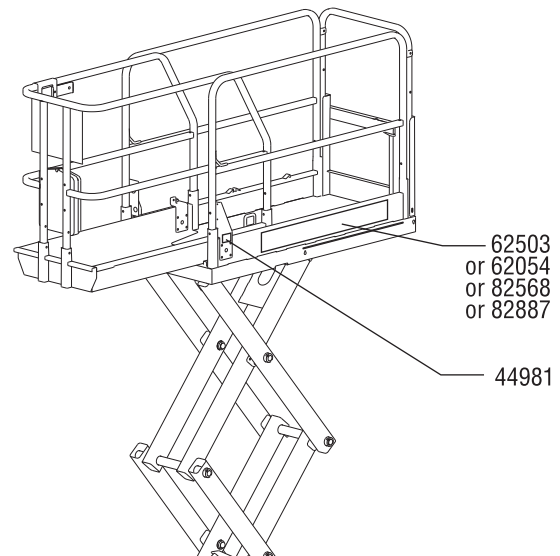
| Part No. | Description   | Quantity |
|----------|---|----------|
| 28174    | Label - Power to Platform, 230V                         | 2        |
| 28235    | Label - Power to Platform, 115V                         | 2        |
| 40434    | Label - Lanyard Anchorage                               | 5        |
| 43618    | Label - Directional Arrows                              | 2        |
| 43658    | Label - Power to Charger, 230V                          | 1        |
| 44980    | Label - Power to Charger, 115V                          | 1        |
| 44981    | Label - Air to Platform, 110 PSI                        | 2        |
| 52475    | Label - Transport Tie-down                              | 5        |
| 62053    | Cosmetic - Genie GS-1530                                | 2        |
| 62054    | Cosmetic - Genie GS-1930                                | 2        |
| 72086    | Label - Lifting Eye                                     | 4        |
| 72143    | Label - Emergency Stop                                  | 1        |
| 82287    | Cosmetic - Genie GS-1932                                | 2        |
| 82473    | Label - Compartment Access                              | 1        |
| 82474    | Label - Use Safety Chock                                | 2        |
| 82476    | Label - Electrocutation Hazard                          | 2        |
| 82481    | Label - Battery/Charger Safety                          | 1        |
| 82482    | Label - Emergency Lowering                              | 1        |
| 82487    | Label - Read the Manual                                 | 2        |
| 82495    | Label - Brake Release Safety and Operating Instructions | 2        |
| 82497    | Label - Manual Force, 200N/400N, GS-1532 and GS-1932    | 1        |
| 82502    | Label - LED Diagnostic Readout                          | 1        |
| 82560    | Label - Skin Injection Hazard                           | 1        |
| 82562    | Label - Crushing Hazard                                 | 4        |

| Part No. | Description   | Quantity |
|----------|---|----------|
| 82567    | Ground Control Panel  | 1        |
| 82568    | Cosmetic - Genie GS-1532                                      | 2        |
| 82570    | Label - Wheel Load, GS-1530 and GS-1532                       | 4        |
| 82571    | Label - Wheel Load, GS-1930 and GS-1932                       | 4        |
| 82664    | Label - Maximum Capacity, GS-1530 and GS-1532                 | 1        |
| 82665    | Label - Maximum Capacity, GS-1930 and GS-1932                 | 1        |
| 82668    | Label - Capacity Indicator, GS-1530 and GS-1532 (if equipped) | 1        |
| 82669    | Label - Capacity Indicator, GS-1930 and GS-1932 (if equipped) | 1        |
| 97582    | Label - Manual Force, 400N, GS-1530 and GS-1930               | 1        |
| 97719    | Label - Safety Arm  | 1        |
| 97772    | Platform Control Panel  | 1        |
| 114334   | Label - Electrocutation hazard, Plug                          | 1        |
| 114337   | Label - Tip-over Hazard, Limit Switch                         | 1        |
| 114338   | Label - Tip-over Hazard, Tilt Alarm                           | 1        |
| 114361   | Label - Transport Diagram                                     | 2        |
| 114370   | Label - Tip-over Hazard, Batteries                            | 1        |
| 114371   | Label - Outrigger Safety                                      | 1        |
| 114372   | Label - Tip-over Hazard, Open Trays                           | 2        |
| 133239   | Label - Maximum Capacity, GS-1530 & GS-1532                   | 1        |
| 133240   | Label - Maximum Capacity, GS-1930 & GS-1932                   | 1        |

# Inspections

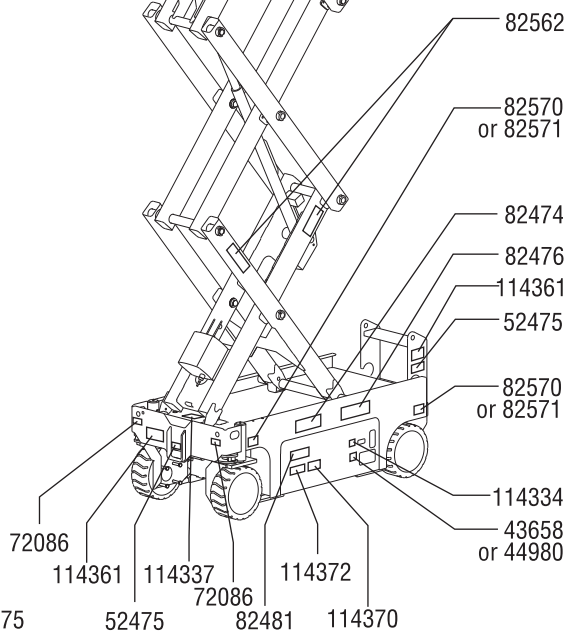
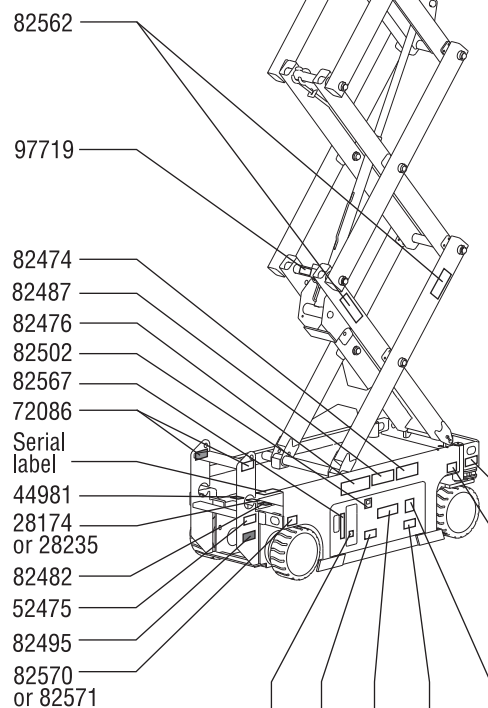


**Decal Plate**



**Ground Controls Side**

**Battery Side**



## Inspections

### Decal Inspection for models GS-2032, GS-2632 and GS-3232

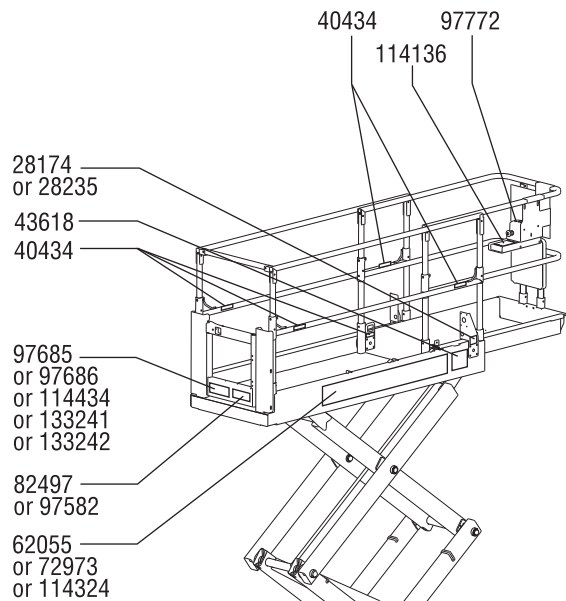
Use the pictures on the next page to verify that all decals are legible and in place.

Below is a numerical list with quantities and descriptions.

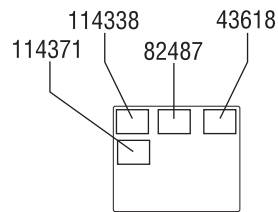
| Part No. | Description   | Quantity |
|----------|---|----------|
| 28174    | Label - Power to Platform, 230V                         | 2        |
| 28235    | Label - Power to Platform, 115V                         | 2        |
| 40434    | Label - Lanyard Anchorage                               | 5        |
| 43618    | Label - Directional Arrows                              | 2        |
| 43658    | Label - Power to Charger, 230V                          | 1        |
| 44980    | Label - Power to Charger, 115V                          | 1        |
| 44981    | Label - Air to Platform, 110 PSI                        | 2        |
| 52475    | Label - Transport Tie-down                              | 5        |
| 62055    | Cosmetic - Genie GS-2032                                | 2        |
| 72086    | Label - Lifting Eye                                     | 4        |
| 72143    | Label - Emergency Stop                                  | 1        |
| 72973    | Cosmetic - Genie GS-2632                                | 2        |
| 82473    | Label - Compartment Access                              | 1        |
| 82474    | Label - Use Safety Chock                                | 2        |
| 82475    | Label - Foot Crushing Hazard                            | 4        |
| 82476    | Label - Electrocution Hazard                            | 2        |
| 82481    | Label - Battery/Charger Safety                          | 1        |
| 82482    | Label - Emergency Lowering                              | 1        |
| 82487    | Label - Read the Manual                                 | 2        |
| 82495    | Label - Brake Release Safety and Operating Instructions | 1        |
| 82497    | Label - Manual Force, GS-2032                           | 1        |
| 82502    | Label - LED Diagnostic Readout                          | 1        |
| 82560    | Label - Skin Injection Hazard                           | 1        |
| 82562    | Label - Crushing Hazard                                 | 4        |
| 82567    | Ground Control Panel                                    | 1        |
| 97582    | Label - Manual Force, GS-2632 and GS-3232               | 1        |
| 97683    | Label - Capacity Indicator, GS-2032 (if equipped)       | 1        |

| Part No. | Description                                       | Quantity |
|----------|---|----------|
| 97684    | Label - Capacity Indicator, GS-2632 (if equipped) | 1        |
| 97685    | Label - Maximum Capacity, GS-2032                 | 1        |
| 97686    | Label - Maximum Capacity, GS-2632                 | 1        |
| 97692    | Label - Wheel Load, GS-2032                       | 4        |
| 97693    | Label - Wheel Load, GS-2632                       | 4        |
| 97719    | Label - Safety Arm                                | 1        |
| 97772    | Platform Control Panel                            | 1        |
| 114136   | Outrigger Control Panel                           | 1        |
| 114324   | Cosmetic - Genie GS-3232                          | 2        |
| 114334   | Label - Electrocution hazard, Plug                | 1        |
| 114337   | Label - Tip-over Hazard, Limit Switch             | 1        |
| 114338   | Label - Tip-over Hazard, Tilt Alarm               | 1        |
| 114361   | Label - Transport Diagram                         | 2        |
| 114362   | Label - Wheel Load, GS-3232                       | 4        |
| 114368   | Label - Capacity Indicator, GS-3232 (if equipped) | 1        |
| 114370   | Label - Tip-over Hazard, Batteries                | 1        |
| 114371   | Label - Outrigger Safety                          | 1        |
| 114372   | Label - Tip-over Hazard, Open Trays               | 2        |
| 114434   | Label - Maximum Capacity, GS-3232                 | 1        |
| 133241   | Label - Maximum Capacity, GS-2032                 | 1        |
| 133242   | Label - Maximum Capacity, GS-2632 & GS-3232       | 1        |

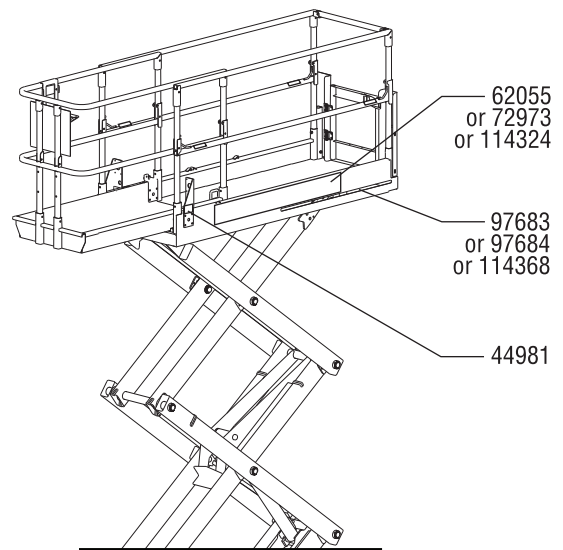
# Inspections



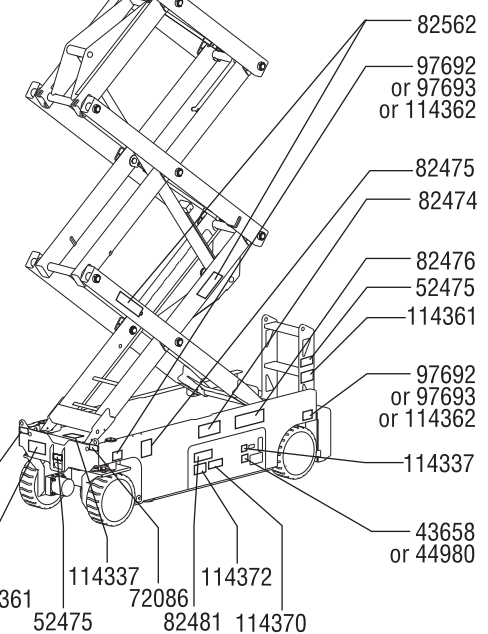
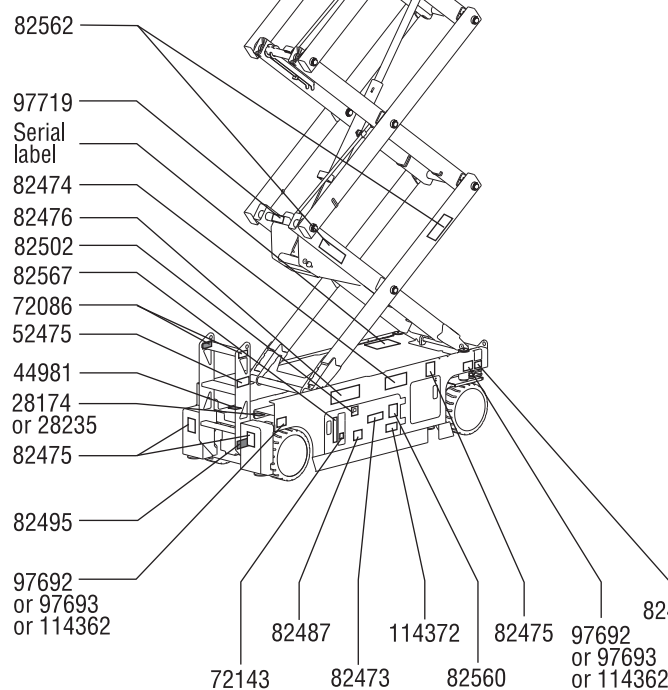
**Ground Controls Side**



**Decal Plate**



**Battery Side**



## Inspections

### Decal Inspection for models GS-2046, GS-2646 and GS-3246

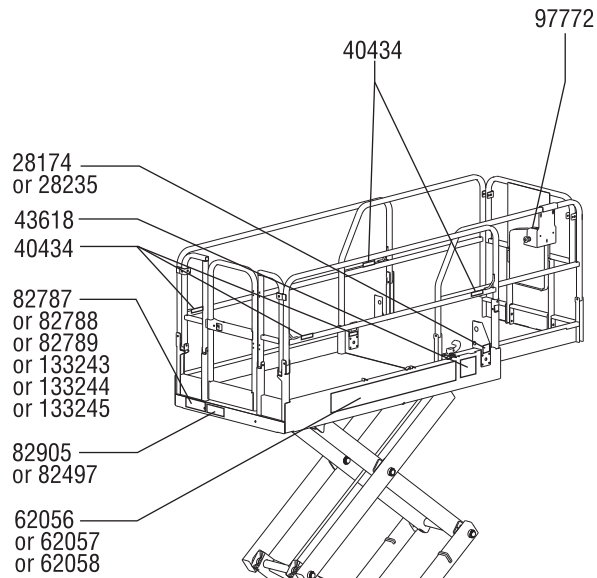
Use the pictures on the next page to verify that all decals are legible and in place.

Below is a numerical list with quantities and descriptions.

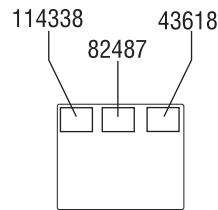
| Part No. | Description   | Quantity |
|----------|---|----------|
| 28174    | Label - Power to Platform, 230V                         | 2        |
| 28235    | Label - Power to Platform, 115V                         | 2        |
| 40434    | Label - Lanyard Anchorage                               | 5        |
| 43618    | Label - Directional Arrows                              | 2        |
| 43658    | Label - Power to Charger, 230V                          | 1        |
| 44980    | Label - Power to Charger, 115V                          | 1        |
| 44981    | Label - Air to Platform, 110 PSI                        | 2        |
| 52475    | Label - Transport Tie-down                              | 5        |
| 62056    | Cosmetic - Genie GS-2046                                | 2        |
| 62057    | Cosmetic - Genie GS-2646                                | 2        |
| 62058    | Cosmetic - Genie GS-3246                                | 2        |
| 72086    | Label - Lifting Eye                                     | 4        |
| 72143    | Label - Emergency Stop                                  | 1        |
| 82473    | Label - Compartment Access                              | 1        |
| 82474    | Label - Use Safety Chock                                | 2        |
| 82476    | Label - Electrocution Hazard                            | 2        |
| 82481    | Label - Battery/Charger Safety                          | 1        |
| 82482    | Label - Emergency Lowering                              | 1        |
| 82487    | Label - Read the Manual                                 | 2        |
| 82495    | Label - Brake Release Safety and Operating Instructions | 1        |
| 82497    | Label - Manual Force, GS-3246                           | 1        |
| 82502    | Label - LED Diagnostic Readout                          | 1        |
| 82560    | Label - Skin Injection Hazard                           | 1        |
| 82562    | Label - Crushing Hazard                                 | 4        |
| 82567    | Ground Control Panel                                    | 1        |
| 82703    | Label - Wheel Load, GS-2046                             | 4        |
| 82704    | Label - Wheel Load, GS-2646                             | 4        |

| Part No. | Description                                       | Quantity |
|----------|---|----------|
| 82705    | Label - Wheel Load, GS-3246                       | 4        |
| 82787    | Label - Maximum Capacity, GS-2046                 | 1        |
| 82788    | Label - Maximum Capacity, GS-2646                 | 1        |
| 82789    | Label - Maximum Capacity, GS-3246                 | 1        |
| 82790    | Label - Capacity Indicator, GS-2046 (if equipped) | 1        |
| 82791    | Label - Capacity Indicator, GS-2646 (if equipped) | 1        |
| 82792    | Label - Capacity Indicator, GS-3246 (if equipped) | 1        |
| 82905    | Label - Manual Force, GS-2046, GS-2646            | 1        |
| 97719    | Label - Safety Arm                                | 1        |
| 97772    | Platform Control Panel                            | 1        |
| 114334   | Label - Electrocution hazard, Plug                | 1        |
| 114337   | Label - Tip-over Hazard, Limit Switch             | 1        |
| 114338   | Label - Tip-over Hazard, Tilt Alarm               | 1        |
| 114361   | Label - Transport Diagram                         | 2        |
| 114370   | Label - Tip-over Hazard, Batteries                | 1        |
| 114372   | Label - Tip-over Hazard, Open Trays               | 2        |
| 133243   | Label - Maximum Capacity, GS-2046                 | 1        |
| 133244   | Label - Maximum Capacity, GS-2646                 | 1        |
| 133245   | Label - Maximum Capacity, GS-3246                 | 1        |

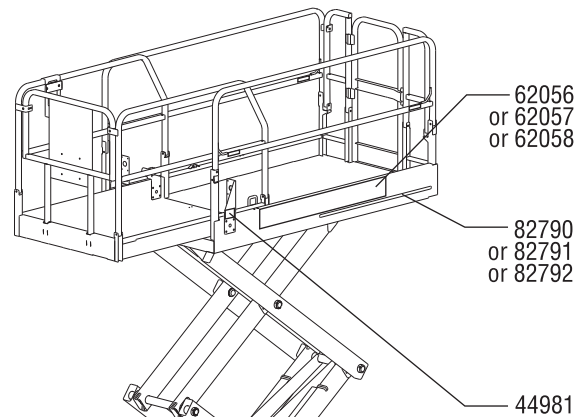
# Inspections



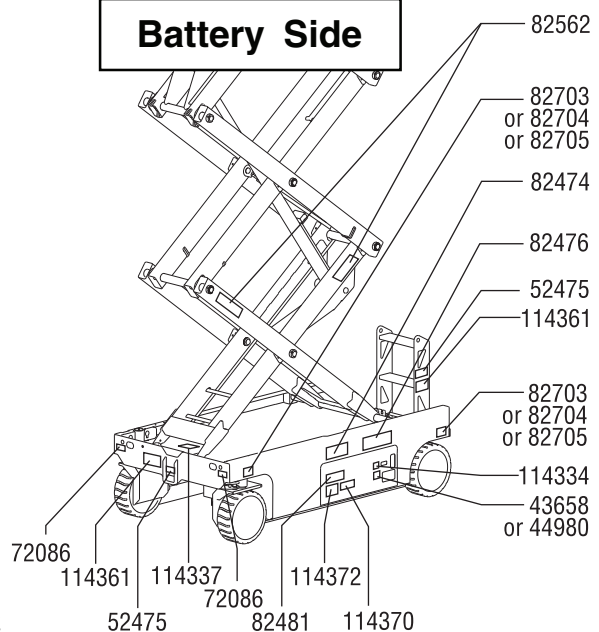
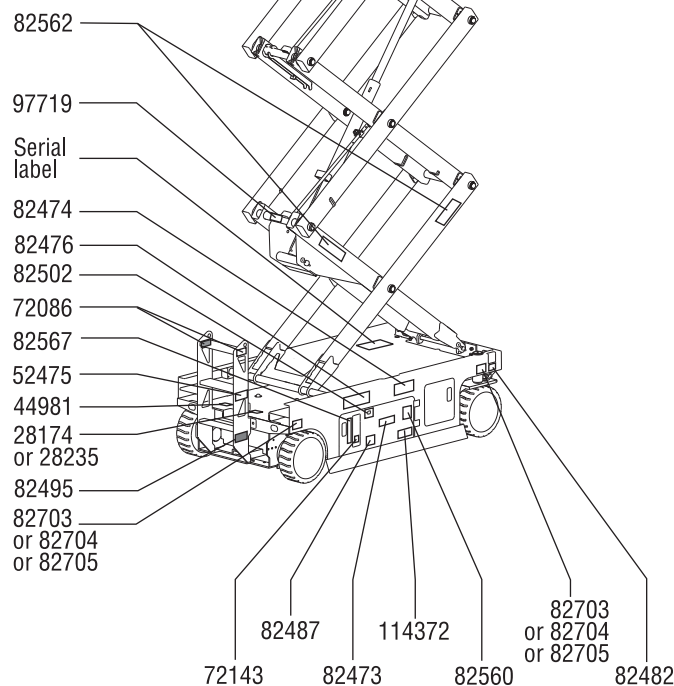
**Ground Controls Side**



**Decal Plate**



**Battery Side**



## Operating Instructions



---

### Do Not Operate Unless:

- You learn and practice the principles of safe machine operation contained in this operator's manual.
  - 1 Avoid hazardous situations.
  - 2 Always perform a pre-operation inspection.
  - 3 Always perform function tests prior to use.
  - 4 Inspect the workplace.
  - 5 Only use the machine as it was intended.**

### Fundamentals

The Operating Instructions section provides instructions for each aspect of machine operation. It is the operator's responsibility to follow all the safety rules and instructions in the operator's, safety and responsibilities manuals.

Using the machine for anything other than lifting personnel, along with their tools and materials, to an aerial work site is unsafe and dangerous.

Only trained and authorized personnel should be permitted to operate a machine. If more than one operator is expected to use a machine at different times in the same work shift, they must all be qualified operators and are all expected to follow all safety rules and instructions in the operator's, safety and responsibilities manuals. That means every new operator should perform a pre-operation inspection, function tests, and a workplace inspection before using the machine.



## Operating Instructions

### Emergency Stop

Push in the red Emergency Stop button to the off position at the ground controls or the platform controls to stop all functions.

Repair any function that operates when either Emergency Stop button is pushed in.

### Emergency Lowering

- 1 Pull the emergency lowering knob.

### Operation From Ground

- 1 Turn the key switch to ground control.
- 2 Pull out the platform and ground red Emergency Stop buttons to the on position.
- 3 Be sure the battery pack is connected before operating the machine.

#### To Position Platform

- 1 Move the up/down toggle switch according to the markings on the control panel.

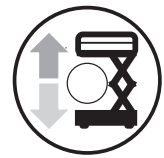
Drive and steer functions are not available from the ground controls.

### Operation From Platform

- 1 Turn the key switch to platform control.
- 2 Pull out the ground and platform red Emergency Stop buttons to the on position.
- 3 Be sure the battery pack is connected before operating the machine.

#### To Position Platform

- 1 Press the lift function select button.
- 2 Press and hold the function enable switch on the control handle.
- 3 Move the control handle according to the markings on the control panel.



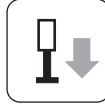
When lowering the platform, the platform should stop when it is approximately 2.1 m from the ground. Be sure the area below the platform is clear of personnel and obstructions before continuing. To continue lowering, release the control handle, wait 5 seconds, then move the control handle again.

## Operating Instructions

### To Position with Outriggers (GS-3232 models)

To extend the outriggers:

- 1 Press and hold the function enable button.
- 2 Press and hold the outrigger extend button.



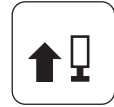
The outriggers will begin to extend. The individual outrigger indicator light will turn solid green as the corresponding outrigger makes contact with the ground. Continue pressing the function enable and the outrigger extend buttons until the lift enable indicator light turns green and a beep is heard. The machine is now level.

When the lift error indicator light turns red, the up/down and drive functions are disabled. The lift error indicator light will turn red under the following conditions.

- The platform is raised to 6.7 m and the outriggers are not deployed.
- Not all outriggers are in contact with the ground.
- All four outriggers are in contact with the ground but the machine is not level.
- Error code.

To retract the outrigger:

- 1 Press and hold the function enable button.
- 2 Press and hold the outrigger retract button.



Release the function enable and the outrigger retract buttons once the outriggers are off the ground. After approximately 5 seconds, the outrigger indicator lights will turn off. All functions are now restored.

Note: The machine drive speeds are reduced the first time the drive function is enabled after retracting the outriggers. The drive speeds are restored to normal after driving for approximately 6 seconds.

## Operating Instructions

### To Steer

- 1 Press the drive function select button.
- 2 Press and hold the function enable switch on the control handle.
- 3 Turn the steer wheels with the thumb rocker switch located on the top of the control handle.



### To reduce drive speed

The drive controls can operate in two different drive speed modes. When the drive speed button light is on, slow drive speed mode is active. When the button light is off, fast drive speed mode is active.

Press the drive speed button to select the desired drive speed.

### To Drive

- 1 Press the drive function select button.
- 2 Press and hold the function enable switch on the control handle.
- 3 Increase speed: Slowly move the control handle off center.

Decrease speed: Slowly move the control handle toward center.

Stop: Return the control handle to center or release the function enable switch.

Use the color-coded direction arrows on the platform controls and on the platform to identify the direction the machine will travel.



Machine travel speed is restricted when the platform is raised.



Battery condition will affect machine performance. Machine drive speed and function speed will drop when the battery level indicator is flashing.

## Operating Instructions

### Driving on a slope

Determine the slope and side slope ratings for the machine and determine the slope grade.

|   |   |
|---|---|
|  | <b>GS-1530, GS-1532, GS-2032, GS-2046 and GS-2646</b> |
|  | <b>Maximum slope rating, stowed</b> 30% (17°)         |
|   | <b>Maximum side slope rating, stowed</b> 30% (17°)    |

|  |   |
|--|---|
|   | <b>GS-1930, GS-1932, GS-2632, GS-3232 and GS-3246</b> |
|  | <b>Maximum slope rating, stowed</b> 25% (14°)         |
|  | <b>Maximum side slope rating, stowed</b> 25% (14°)    |

Note: Slope rating is subject to ground conditions and adequate traction.

Press the drive speed button to the fast drive speed mode.

### To determine the slope grade:

Measure the slope with a digital inclinometer OR use the following procedure.

You will need:

- carpenter's level
- straight piece of wood, at least 1 m long
- tape measure

Lay the piece of wood on the slope.

At the downhill end, lay the level on the top edge of the piece of wood and lift the end until the piece of wood is level.

While holding the piece of wood level, measure the distance from the bottom of the piece of wood to the ground.

Divide the tape measure distance (rise) by the length of the piece of wood (run) and multiply by 100.

Example:



$$\text{Run} = 3.6 \text{ m}$$

$$\text{Rise} = 0.3 \text{ m}$$

$$0.3 \text{ m} \div 3.6 \text{ m} = 0.083 \times 100 = 8.3\%$$

If the slope exceeds the maximum slope or side slope rating, the machine must be winched or transported up or down the slope. See Transport and Lifting section.

## Operating Instructions

### Error indicator readout



If the LED diagnostic readout displays an error code, such as LL, push in and pull out the red Emergency Stop button to reset the system.

### ECM Fault Codes

| Code | Condition                                |
|------|--|
| --   | Condition Normal                         |
| 01   | Internal ECM Error                       |
| 02   | ECM/Platform Communication Error         |
| 03   | Undefined Platform Dip Switch Setting    |
| 12   | Chassis Up/Down Toggle Closed At Startup |
| 18   | Pothole Guard Failure                    |
| 42   | Platform Left Turn Switch Fault          |
| 43   | Platform Right Turn Switch Fault         |
| 46   | Platform Drive Enable Switch Fault       |
| 47   | Platform Joystick Fault                  |
| 52   | Forward Coil Fault                       |
| 53   | Reverse Coil Fault                       |
| 54   | Up Coil Fault                            |
| 55   | Down Coil Fault                          |
| 56   | Right Coil Fault                         |
| 57   | Left Coil Fault                          |
| 58   | Brake Coil Fault                         |
| 59   | Parallel/Series Coil Fault               |
| 68   | Low Battery Voltage                      |
| LL   | Off-Level                                |
| OL   | Overload Cutout                          |

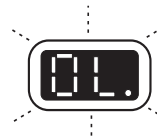
For more information, please consult the appropriate Genie Service Manual.

### Operation From Ground with Controller

Maintain safe distances between the operator, machine and fixed objects.

Be aware of the direction the machine will travel when using the controller.

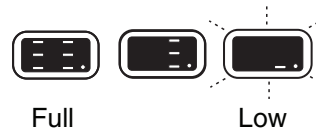
### Platform Overload



Flashing OL in the LED diagnostic readout indicates the platform is overloaded and no functions will operate. An alarm will sound.

- 1 Push in the Red Emergency stop button to the off position.
- 2 Remove weight from the platform.
- 3 Pull out the Red Emergency stop button to the on position.

### Battery Level Indicator



Use the LED diagnostic readout to determine the battery level.

### How to Use the Safety Arm

- 1 Raise the platform approximately 2.4 m from the ground.
- 2 Rotate the safety arm away from the machine and let it hang down.
- 3 Lower the platform until the safety arm rests securely on the link. Keep clear of the safety arm when lowering the platform.

## Operating Instructions

### How to Fold Down the Guardrails

#### GS-1530, GS-1532, GS-1930, GS-1932, GS-2032, GS-2632 and GS-3232

The platform railing system consists of one fold down rail section for the extension deck and one section for the main deck. All sections are held in place by four wire lock pins.

- 1 Fully lower the platform and retract the platform extension.
- 2 Remove the platform controls.
- 3 From inside the platform, remove the two rear extension deck wire lock pins.
- 4 From the rear of the extension deck railing, fold down the front rail assembly. Keep hands free of pinch points.
- 5 Replace the two removed pins back into each side rail bracket.
- 6 At the rear of the main deck, remove the two lower wire lock pins.
- 7 Carefully open the gate and move to the rear step or the ground.
- 8 From the rear step or from the ground, fold down the main deck railing assembly. Keep hands free of pinch points.
- 9 Replace the two removed pins back into each side rail bracket.

Note: To assist in the removal and replacement of the wire lock pins, pull or push back on the railing to compress the rubber bumpers.

#### GS-2046, GS-2646 and GS-3246

The platform railing system consists of three fold down rail sections for the extension deck and three sections for the main deck. All six sections are held in place by four wire lock pins.

- 1 Fully lower the platform and retract the platform extension.
- 2 Remove the platform controls.
- 3 From inside the platform, remove the two front wire lock pins.
- 4 Fold down the front rail assembly. Keep hands clear of pinch points.
- 5 Replace the two removed pins back into each side rail bracket.
- 6 Fold down each side rail assembly. Keep hands clear of pinch points.
- 7 At the rear of the main deck, remove the two wire lock pins.
- 8 Carefully open the gate and move to the ground.
- 9 Fold down the rear gate and entry side rails as one unit. Keep hands clear of pinch points.
- 10 Fold down the left and right side rails. Keep hands clear of pinch points.
- 11 Replace the two removed pins back into each side rail bracket.

### How to Raise the Guardrails

Follow the fold down instructions but in reverse order.



## Battery and Charger Instructions

### Observe and Obey:

- Do not use an external charger or booster battery.
- Charge the battery in a well-ventilated area.
- Use proper AC input voltage for charging as indicated on the charger.
- Use only a Genie authorized battery and charger.

### To Charge Battery

- 1 Be sure the batteries are connected before charging the batteries.
- 2 Open the battery compartment. The compartment should remain open for the entire charging cycle.

#### Maintenance - free batteries

- 3 Connect the battery charger to a grounded AC circuit.
- 4 The charger will indicate when the battery is fully charged.

## Operating Instructions

### Standard Batteries

- 3 Remove the battery vent caps and check the battery acid level. If necessary, add only enough distilled water to cover the plates. Do not overfill prior to the charge cycle.
- 4 Replace the battery vent caps.
- 5 Connect the battery charger to a grounded AC circuit.
- 6 The charger will indicate when the battery is fully charged.
- 7 Check the battery acid level when the charging cycle is complete. Replenish with distilled water to the bottom of the fill tube. Do not overfill.

### Dry Battery Filling and Charging Instructions

- 1 Remove the battery vent caps and permanently remove the plastic seal from the battery vent openings.
- 2 Fill each cell with battery acid (electrolyte) until the level is sufficient to cover the plates.

Do not fill to maximum level until the battery charge cycle is complete. Overfilling can cause the battery acid to overflow during charging. Neutralize battery acid spills with baking soda and water.

- 3 Install the battery vent caps.
- 4 Charge the battery.
- 5 Check the battery acid level when the charging cycle is complete. Replenish with distilled water to the bottom of the fill tube. Do not overfill.

## Transport and Lifting Instructions



### Observe and Obey:

- ☑ Genie Industries provides this securement information as a recommendation. Drivers are solely responsible for making sure machines are properly secured and the correct trailer is selected pursuant to US Department of Transportation regulations, other localized regulations, and their company policy.
- ☑ Genie customers needing to containerize any lift or Genie product should source a qualified freight forwarder with expertise in preparing, loading and securing construction and lifting equipment for international shipment.
- ☑ Only qualified aerial lift operators should move the machine on or off the truck.
- ☑ The transport vehicle must be parked on a level surface.
- ☑ The transport vehicle must be secured to prevent rolling while the machine is being loaded.
- ☑ Be sure the vehicle capacity, loading surfaces and chains or straps are sufficient to withstand the machine weight. Genie lifts are very heavy relative to their size. See the serial label for the machine weight.
- ☑ The machine must be on a level surface or secured before releasing the brakes.
- ☑ Do not allow the rails to fall when the snap pins are removed. Maintain a firm grasp on the rails when the rails are lowered.

- ☑ Do not drive the machine on a slope that exceeds the uphill, downhill or side slope rating. See Driving on a Slope in the Operating Instructions section.
- ☑ If the slope of the transport vehicle exceeds the maximum slope rating, the machine must be loaded and unloaded using a winch as described in the brake release operation.

### Brake Release Operation



- 1 Chock the wheels to prevent the machine from rolling.
- 2 Be sure the winch line is properly secured to the drive chassis tie points and the path is clear of all obstructions.
- 3 Push in the black brake release knob to open the brake valve.
- 4 Pump the red brake release pump knob.

After the machine is loaded:

- 1 Chock the wheels to prevent the machine from rolling.
- 2 Pull the red Emergency Stop buttons on both the ground and platform controls to the on position.
- 3 Press the drive function select button. Press and hold the function enable switch on the control handle. Move the control handle off center and immediately release it to reset the brakes.
- 4 Push the red Emergency stop buttons on both the ground and platform controls to the off position.

Towing the Genie GS-1530, GS-1532, GS-1930, GS-1932, GS-2032, GS-2632, GS-3232, GS-2046, GS-2646 and GS-3246 is not recommended. If the machine must be towed, do not exceed 3.2 km/h.



## Transport and Lifting Instructions

### **⚠ Securing to Truck or Trailer for Transit**

Always use the extension deck lock when the machine is transported.

Turn the key switch to the off position and remove the key before transporting.

Inspect the entire machine for loose or unsecured items.

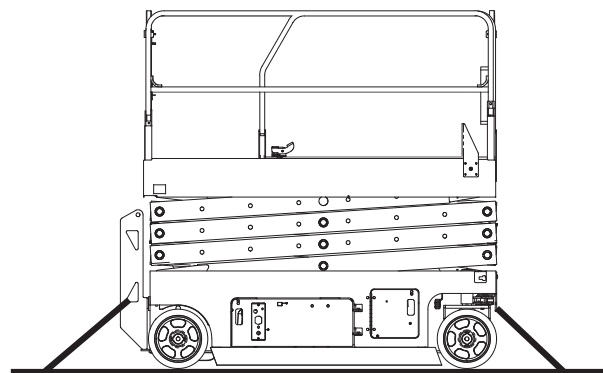
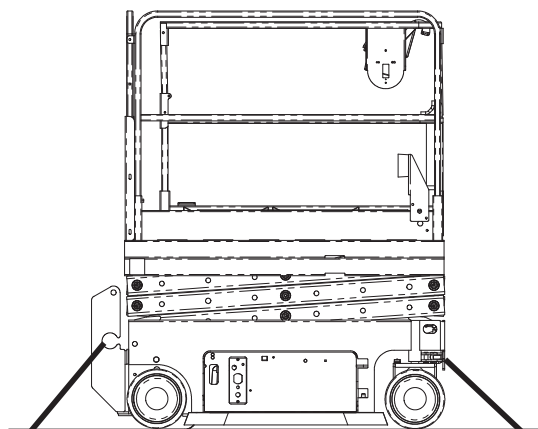
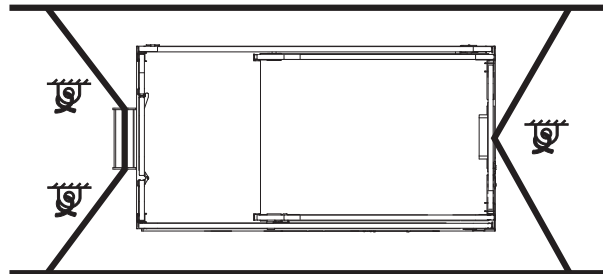
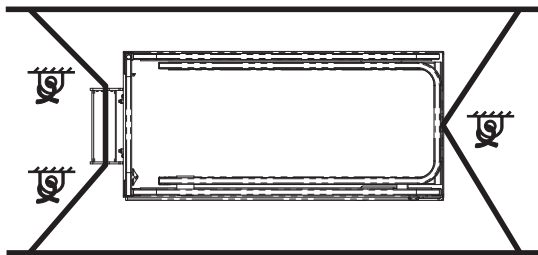
Use chains or straps of ample load capacity.

Use a minimum of 2 chains or straps.

Adjust the rigging to prevent damage to the chains.

GS-1530  
GS-1532  
GS-1930  
GS-1932

GS-2032 GS-2046  
GS-2632 GS-2646  
GS-3232 GS-3246



## Transport and Lifting Instructions



### Observe and Obey:

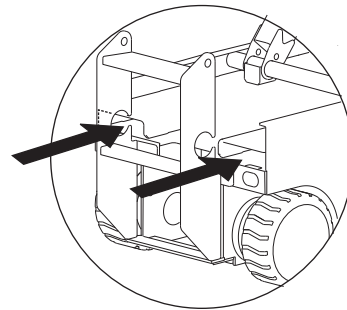
- ☑ Only qualified riggers should rig and lift the machine.
- ☑ Only qualified forklift operators should lift the machine with a forklift.
- ☑ Be sure the crane capacity, loading surfaces and straps or lines are sufficient to withstand the machine weight. See the serial label for the machine weight.

### Lifting the Machine with a Forklift

Be sure the extension deck, controls and component trays are secure. Remove all loose items on the machine.

Fully lower the platform. The platform must remain lowered during all loading and transport procedures.

Use the forklift pockets located on both sides of the ladder.



Position the forklift forks in position with the forklift pockets.

Drive forward to the full extent of the forks.

Raise the machine 6 in / 15 cm and then tilt the forks back slightly to keep the machine secure.

Be sure the machine is level when lowering the forks.

**NOTICE** Lifting the machine from the side can result in component damage.

## Transport and Lifting Instructions

### Lifting Instructions

Fully lower the platform. Be sure the extension deck, controls and component trays are secure. Remove all loose items on the machine.

Determine the center of gravity of your machine using the table below and the pictures on the next page.

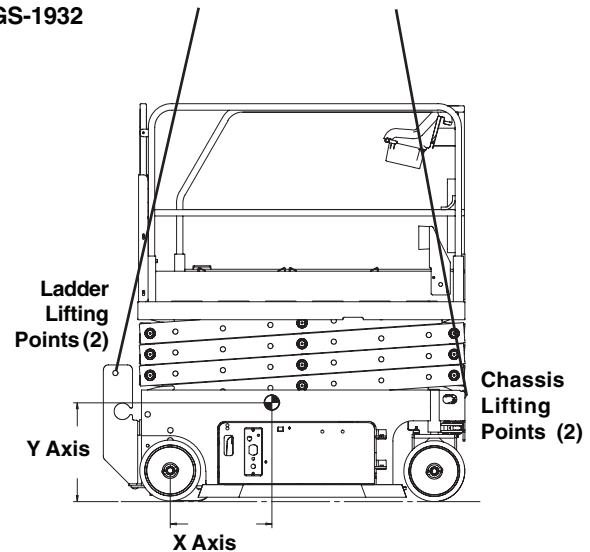
Attach the rigging only to the designated lifting points on the machine. There are two 2.5 cm holes on the front of the machine and two holes in the ladder for lifting.

Adjust the rigging to prevent damage to the machine and to keep the machine level.

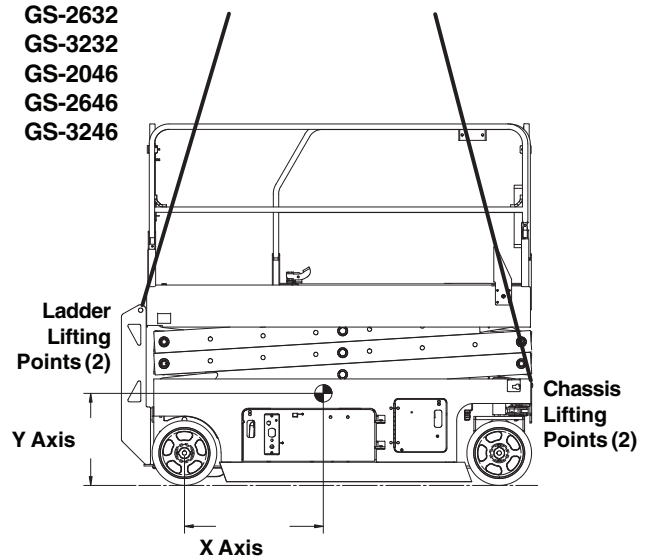
#### Center of Gravity Table

| Model   | X Axis  | Y Axis  |
|---------|---------|---------|
| GS-1530 | 49.8 cm | 47.2 cm |
| GS-1532 | 49.8 cm | 47.2 cm |
| GS-1930 | 50.8 cm | 49.5 cm |
| GS-1932 | 50.8 cm | 49.5 cm |
| GS-2032 | 80.9 cm | 53.9 cm |
| GS-2632 | 82.2 cm | 59.3 cm |
| GS-3232 | 78.7 cm | 67.3 cm |
| GS-2046 | 82.7 cm | 56.8 cm |
| GS-2646 | 88.2 cm | 56.4 cm |
| GS-3246 | 83.7 cm | 59.9 cm |

GS-1530  
GS-1532  
GS-1930  
GS-1932



GS-2032  
GS-2632  
GS-3232  
GS-2046  
GS-2646  
GS-3246



## Maintenance



### Observe and Obey:

- ☑ Only routine maintenance items specified in this manual shall be performed by the operator.
- ☑ Scheduled maintenance inspections shall be completed by qualified service technicians, according to the manufacturer's specifications and the requirements specified in the responsibilities manual.
- ☑ Use only Genie approved replacement parts.

### Maintenance Symbols Legend

The following symbols have been used in this manual to help communicate the intent of the instructions. When one or more of the symbols appear at the beginning of a maintenance procedure, it conveys the meaning below.



Indicates that tools will be required to perform this procedure.



Indicates that new parts will be required to perform this procedure.

## Check the Hydraulic Oil Level



Maintaining the hydraulic oil at the proper levels is essential to machine operation. Improper hydraulic oil levels can damage hydraulic components. Daily checks allow the inspector to identify changes in oil level that might indicate the presence of hydraulic system problems.

Note: Perform this procedure with the platform in the stowed position.

- 1 Visually inspect the oil level in the hydraulic tank.
- ⦿ Result: The hydraulic oil level should be as marked on the tank.
- 2 Add oil if necessary. Do not overfill.

---

### Hydraulic oil specifications

---

|                    |  |
|--------------------|--|
| Hydraulic oil type | Chevron Rykon<br>Premium MV equivalent |
|--------------------|--|

---

## Maintenance

### Check the Batteries



Proper battery condition is essential to good machine performance and operational safety. Improper fluid levels or damaged cables and connections can result in component damage and hazardous conditions.

Note: This procedure does not need to be performed on machines with sealed or maintenance - free batteries.

**⚠** Electrocutation hazard. Contact with hot or live circuits may result in death or serious injury. Remove all rings, watches and other jewelry.

**⚠** Bodily injury hazard. Batteries contain acid. Avoid spilling or contacting battery acid. Neutralize battery acid spills with baking soda and water.

Note: Perform this test after fully charging the batteries.

- 1 Put on protective clothing and eye wear.
- 2 Be sure that the battery cable connections are tight and free of corrosion.
- 3 Be sure that the battery hold-down bars are in place and secure.
- 4 Remove the battery vent caps.
- 5 Check the battery acid level of each battery. If needed, replenish with distilled water to the bottom of the battery fill tube. Do not overfill.
- 6 Install the vent caps.

Note: Adding terminal protectors and a corrosion preventative sealant will help eliminate the corrosion on the battery terminals and cables.

### Scheduled Maintenance

Maintenance performed quarterly, annually and every two years must be completed by a person trained and qualified to perform maintenance on this machine according to the procedures found in the service manual for this machine.

Machines that have been out of service for more than three months must receive the quarterly inspection before they are put back into service.

## Specifications

| Model  | GS-1530 and GS-1532   |
|--|-----------------------|
| Height, working maximum  | 6.4 m                 |
| Height, platform maximum   | 4.6 m                 |
| Height, stowed maximum   | 2.07 m                |
| Height, stowed maximum rails folded  | 1.72 m                |
| Platform height, stowed maximum  | 97 cm                 |
| Height, guard rails  | 1.10 m                |
| Width  |                       |
| GS-1530  | 76 cm                 |
| GS-1532  | 81 cm                 |
| Length, stowed   | 1.83 m                |
| Length, platform extended  | 2.72 m                |
| Platform extension length  | 88.9 cm               |
| Platform dimensions, (length x width)  | 1.6 m x 75 cm         |
| Maximum load capacity, models without capacity indicator   | 272 kg                |
| Maximum load capacity, models with capacity indicator  | 272 - 484 kg          |
| Maximum wind speed, GS-1530  | 0 m/s                 |
| Maximum wind speed, GS-1532  | 12.5 m/s              |
| Wheelbase  | 1.32 m                |
| Turning radius (outside)   | 1.55 m                |
| Turning radius (inside)  | 0 cm                  |
| Ground clearance   | 6.1 cm                |
| Ground clearance Pothole guards deployed   | 1.9 cm                |
| Weight   |                       |
| GS-1530  | 1257 kg               |
| GS-1532  | 1269 kg               |
| (Machine weights vary with option configurations. See serial label for specific machine weight.) |                       |
| Power source   | 4 Batteries, 6V 225AH |
| System voltage   | 24V                   |

| Controls  | Proportional                          |
|---|---------------------------------------|
| AC outlet in platform   | standard                              |
| Maximum hydraulic pressure (functions)  | 3500 psi 241 bar                      |
| Tire size   | 12 x 4.5 x 8 in                       |
| Airborne noise emissions  | <70 dB                                |
| Maximum sound level at normal operating workstations (A-weighted)   |                                       |
| Vibration value does not exceed 2.5 m/s <sup>2</sup>  |                                       |
| <b>Maximum slope rating, stowed position</b>  | 30% (17°)                             |
| <b>Maximum side slope rating, stowed position</b>   | 30% (17°)                             |
| Note: Slope rating is subject to ground conditions and adequate traction.   |                                       |
| <b>Drive speeds</b>   |                                       |
| Stowed, maximum   | 4.0 km/h                              |
| Platform raised, maximum  | 0.8 km/h<br>12.5 m/55 sec             |
| <b>Floor loading information, GS-1530</b>   |                                       |
| Tire load, maximum  | 547 kg                                |
| Tire contact pressure   | 9.40 kg / cm <sup>2</sup><br>921 kPa  |
| Occupied floor pressure   | 1216 kg / m <sup>2</sup><br>11.92 kPa |
| <b>Floor loading information, GS-1532</b>   |                                       |
| Tire load, maximum  | 547 kg                                |
| Tire contact pressure   | 9.43 kg / cm <sup>2</sup><br>924 kPa  |
| Occupied floor pressure   | 1142 kg / m <sup>2</sup><br>11.2 kPa  |
| Note: Floor loading information is approximate and does not incorporate different option configurations. It should be used only with adequate safety factors. |                                       |

Continuous improvement of our products is a Genie policy. Product specifications are subject to change without notice or obligation.



## Specifications

| Model  | GS-1930 and GS-1932   |
|--|-----------------------|
| Height, working maximum  | 7.6 m                 |
| Height, platform maximum   | 5.8 m                 |
| Height, stowed maximum   | 2.10 m                |
| Height, stowed maximum rails folded  | 1.75 cm               |
| Platform height, stowed maximum  | 1.0 m                 |
| Height, guard rails  | 1.10 m                |
| Width  |                       |
| GS-1930  | 76 cm                 |
| GS-1932  | 81 cm                 |
| Length, stowed   | 1.83 m                |
| Length, platform extended  | 2.72 m                |
| Platform extension length  | 88.9 cm               |
| Platform dimensions, (length x width)  | 1.6 m x 75 cm         |
| Maximum load capacity, models without capacity indicator   | 227 kg                |
| Maximum load capacity, models with capacity indicator  | 227 - 435 kg          |
| Maximum wind speed, GS-1930  | 0 m/s                 |
| Maximum wind speed, GS-1932  | 12.5 m/s              |
| Wheelbase  | 1.32 m                |
| Turning radius (outside)   | 1.55 m                |
| Turning radius (inside)  | 0 cm                  |
| Ground clearance   | 6.1 cm                |
| Ground clearance Pothole guards deployed   | 1.9 cm                |
| Weight   |                       |
| GS-1930  | 1476 kg               |
| GS-1932  | 1483 kg               |
| (Machine weights vary with option configurations. See serial label for specific machine weight.) |                       |
| Power source   | 4 Batteries, 6V 225AH |
| System voltage   | 24V                   |

|   |  |
|---|--|
| Controls  | Proportional                           |
| AC outlet in platform   | standard                               |
| Maximum hydraulic pressure (functions)  | 241 bar                                |
| Tire size   | 12 x 4.5 x 8 in                        |
| Airborne noise emissions  | <70 dB                                 |
| Maximum sound level at normal operating workstations (A-weighted)   |  |
| Vibration value does not exceed 2.5 m/s <sup>2</sup>  |  |
| <b>Maximum slope rating, stowed position</b>  | 25% (14°)                              |
| <b>Maximum side slope rating, stowed position</b>   | 25% (14°)                              |
| Note: Slope rating is subject to ground conditions and adequate traction.   |  |
| <b>Drive speeds</b>   |  |
| Stowed, maximum   | 4.0 km/h                               |
| Platform raised, maximum  | 0.8 km/h<br>12.5 m/55 sec              |
| <b>Floor loading information, GS-1930</b>   |  |
| Tire load, maximum  | 600 kg                                 |
| Tire contact pressure   | 10.35 kg / cm <sup>2</sup><br>1014 kPa |
| Occupied floor pressure   | 1391 kg / m <sup>2</sup><br>13.65 kPa  |
| <b>Floor loading information, GS-1932</b>   |  |
| Tire load, maximum  | 600 kg                                 |
| Tire contact pressure   | 10.35 kg / cm <sup>2</sup><br>1014 kPa |
| Occupied floor pressure   | 1313 kg / m <sup>2</sup><br>12.88 kPa  |
| Note: Floor loading information is approximate and does not incorporate different option configurations. It should be used only with adequate safety factors. |  |
| Continuous improvement of our products is a Genie policy. Product specifications are subject to change without notice or obligation.                          |  |



## Specifications

|   |                |   |   |
|---|----------------|---|---|
| <b>Model</b>  | <b>GS-2032</b> | <b>Power source</b>   | 4 Batteries, 6V 225AH                   |
| Height, working maximum   | 7.9 m          | <b>Controls</b>   | Proportional                            |
| Height, platform maximum  | 6.1 m          | <b>AC outlet in platform</b>  | standard                                |
| Height, stowed maximum  | 2.13 m         | <b>Maximum hydraulic pressure (functions)</b>   | 241.3 bar                               |
| Height, stowed maximum rails folded   | 1.78 m         | <b>System voltage</b>   | 24V                                     |
| Platform height, stowed maximum   | 1.03 m         | <b>Tire size</b>  | 15 x 5 x 11 <sup>1</sup> / <sub>4</sub> |
| Height, guard rails   | 1.10 m         | <b>Airborne noise emissions</b>   | <70 dB                                  |
| Width   | 81 cm          | <b>Maximum sound level at normal operating workstations (A-weighted)</b>  |   |
| Length, stowed  | 2.44 m         | Vibration value does not exceed 2.5 m/s <sup>2</sup>  |   |
| Length, platform extended   | 3.33 m         | <b>Maximum slope rating, stowed position</b>  | 30% (17°)                               |
| Platform extension length   | 88.9 cm        | <b>Maximum side slope rating, stowed position</b>   | 30% (17°)                               |
| Platform dimensions, (length x width)   | 2.26 m x 81 cm | Note: Slope rating is subject to ground conditions and adequate traction.   |   |
| Maximum load capacity, models without capacity indicator  | 363 kg         | <b>Drive speeds</b>   |   |
| Maximum load capacity, models with capacity indicator   | 363 - 693 kg   | Stowed, maximum   | 3.5 km/h                                |
| Maximum wind speed  | 12.5 m/s       | Platform raised, maximum  | 0.8 km/h<br>12.2 m/54 sec               |
| Wheelbase   | 1.85 m         | <b>Floor loading information</b>  |   |
| Turning radius (outside)  | 2.12 m         | Tire load, maximum  | 802 kg                                  |
| Turning radius (inside)   | 0 cm           | Tire contact pressure   | 12.44 kg / cm <sup>2</sup><br>1219 kPa  |
| Ground clearance  | 8.9 cm         | Occupied floor pressure   | 1119 kg / m <sup>2</sup><br>11.68 kPa   |
| Ground clearance Pothole guards deployed  | 2.2 cm         | Note: Floor loading information is approximate and does not incorporate different option configurations. It should be used only with adequate safety factors. |   |
| Weight (Machine weights vary with option configurations. See serial label for specific machine weight.) | 1830 kg        |   |   |

Continuous improvement of our products is a Genie policy. Product specifications are subject to change without notice or obligation.





## Specifications

| <b>Model</b>   | <b>GS-2632</b> |
|--|----------------|
| Height, working maximum  | 9.8 m          |
| Height, platform maximum   | 7.9 m          |
| Height, stowed maximum   | 2.26 m         |
| Height, stowed maximum rails folded  | 1.91 m         |
| Platform height, stowed maximum  | 1.16 m         |
| Height, guard rails  | 1.10 m         |
| Width  | 81 cm          |
| Length, stowed   | 2.44 m         |
| Length, platform extended  | 3.33 m         |
| Platform extension length  | 88.9 cm        |
| Platform dimensions, (length x width)  | 2.26 m x 81 cm |
| Maximum load capacity, models without capacity indicator   | 227 kg         |
| Maximum load capacity, models with capacity indicator  | 227 - 479 kg   |
| Maximum wind speed   | 0 m/s          |
| Wheelbase  | 1.85 m         |
| Turning radius (outside)   | 2.13 m         |
| Turning radius (inside)  | 0 cm           |
| Ground clearance   | 8.9 cm         |
| Ground clearance Pothole guards deployed   | 2.2 cm         |
| Weight<br>(Machine weights vary with option configurations. See serial label for specific machine weight.) | 1985 kg        |

|   |   |
|---|---|
| Power source  | 4 Batteries, 6V 225AH                   |
| Controls  | Proportional                            |
| AC outlet in platform   | standard                                |
| Maximum hydraulic pressure (functions)                                    | 241.3 bar                               |
| System voltage  | 24V                                     |
| Tire size   | 15 x 5 x 11 <sup>1</sup> / <sub>4</sub> |
| Airborne noise emissions  | <70 dB                                  |
| Maximum sound level at normal operating workstations (A-weighted)         |   |
| Vibration value does not exceed   | 2.5 m/s <sup>2</sup>                    |
| <b>Maximum slope rating, stowed position</b>                              | 25% (14°)                               |
| <b>Maximum side slope rating, stowed position</b>                         | 25% (14°)                               |
| Note: Slope rating is subject to ground conditions and adequate traction. |   |
| <b>Drive speeds</b>   |   |
| Stowed, maximum   | 3.5 km/h                                |
| Platform raised, maximum  | 0.8 km/h<br>12.2 m/54 sec               |
| <b>Floor loading information</b>  |   |
| Tire load, maximum  | 830 kg                                  |
| Tire contact pressure   | 12.87 kg / cm <sup>2</sup><br>1262 kPa  |
| Occupied floor pressure   | 1187 kg / m <sup>2</sup><br>11.65 kPa   |

Note: Floor loading information is approximate and does not incorporate different option configurations. It should be used only with adequate safety factors.

Continuous improvement of our products is a Genie policy. Product specifications are subject to change without notice or obligation.



## Specifications

| Model  | GS-3232        |
|--|----------------|
| Height, working maximum  | 11.6 m         |
| Height, working, drivable  | 8.5 m          |
| Height, platform maximum   | 9.8 m          |
| Height, platform, drivable   | 6.7 m          |
| Height, stowed maximum   | 2.38 m         |
| Height, stowed maximum rails folded  | 2.04 m         |
| Platform height, stowed maximum  | 1.28 m         |
| Height, guard rails  | 1.10 m         |
| Width  | 81 cm          |
| Length, stowed   | 2.44 m         |
| Length, platform extended  | 3.33 m         |
| Platform extension length  | 88.9 cm        |
| Platform dimensions, (length x width)  | 2.26 m x 81 cm |
| Maximum load capacity, models without capacity indicator   | 227 kg         |
| Maximum load capacity, models with capacity indicator  | 227 - 498 kg   |
| Maximum wind speed   | 0 m/s          |
| Wheelbase  | 1.85 m         |
| Turning radius (outside)   | 2.13 m         |
| Turning radius (inside)  | 0 cm           |
| Ground clearance   | 8.9 cm         |
| Ground clearance Pothole guards deployed   | 2.2 cm         |
| Weight<br>(Machine weights vary with option configurations. See serial label for specific machine weight.) | 2352 kg        |

|   |   |
|---|---|
| Power source  | 4 Batteries, 6V 225AH                   |
| Controls  | Proportional                            |
| AC outlet in platform   | standard                                |
| Maximum hydraulic pressure (functions)  | 241.3 bar                               |
| System voltage  | 24V                                     |
| Tire size   | 15 x 5 x 11 <sup>1</sup> / <sub>4</sub> |
| Airborne noise emissions<br>Maximum sound level at normal operating workstations (A-weighted) | <70 dB                                  |
| Vibration value does not exceed   | 2.5 m/s <sup>2</sup>                    |

**Maximum slope rating, stowed position** 25% (14°)

**Maximum side slope rating, stowed position** 25% (14°)

Note: Slope rating is subject to ground conditions and adequate traction.

### Drive speeds

|                          |                           |
|--------------------------|---------------------------|
| Stowed, maximum          | 3.5 km/h                  |
| Platform raised, maximum | 0.8 km/h<br>12.2 m/54 sec |

### Floor loading information

|                         |                                      |
|-------------------------|--------------------------------------|
| Tire load, maximum      | 804 kg                               |
| Tire contact pressure   | 12.48 kg/cm <sup>2</sup><br>1223 kPA |
| Occupied floor pressure | 1401 kg/m <sup>2</sup><br>13.76 kPA  |

Note: Floor loading information is approximate and does not incorporate different option configurations. It should be used only with adequate safety factors.

Continuous improvement of our products is a Genie policy. Product specifications are subject to change without notice or obligation.



## Specifications

| Model  | GS-2046       |
|--|---------------|
| Height, working maximum  | 7.9 m         |
| Height, platform maximum   | 6.1 m         |
| Height, stowed maximum   | 2.14 m        |
| Height, stowed maximum rails folded  | 1.55 m        |
| Platform height, stowed maximum  | 1.04 m        |
| Height, guard rails  | 1.10 m        |
| Width  | 1.16 m        |
| Length, stowed   | 2.44 m        |
| Length, platform extended  | 3.33 m        |
| Platform extension length  | 88.9 cm       |
| Platform dimensions, (length x width)  | 2.26 x 1.16 m |
| Maximum load capacity, models without capacity indicator   | 544 kg        |
| Maximum load capacity, models with capacity indicator  | 544 - 985 kg  |
| Maximum wind speed   | 12.5 m/s      |
| Wheelbase  | 1.85 m        |
| Turning radius (outside)   | 2.29 m        |
| Turning radius (inside)  | 0 cm          |
| Ground clearance   | 10.2 cm       |
| Ground clearance Pothole guards deployed   | 1.9 cm        |
| Weight<br>(Machine weights vary with option configurations. See serial label for specific machine weight.) | 1945 kg       |

|   |   |
|---|---|
| Power source  | 4 Batteries, 6V 225AH                   |
| Controls  | Proportional                            |
| AC outlet in platform   | standard                                |
| Maximum hydraulic pressure (functions)                                    | 3500 psi      241 bar                   |
| System voltage  | 24V                                     |
| Tire size   | 15 x 5 x 11 <sup>1</sup> / <sub>4</sub> |
| Airborne noise emissions  | <70 dB                                  |
| Maximum sound level at normal operating workstations (A-weighted)         |   |
| Vibration value does not exceed   | 2.5 m/s <sup>2</sup>                    |
| <b>Maximum slope rating, stowed position</b>                              | 30%(17°)                                |
| <b>Maximum side slope rating, stowed position</b>                         | 30%(17°)                                |
| Note: Slope rating is subject to ground conditions and adequate traction. |   |
| <b>Drive speeds</b>   |   |
| Stowed, maximum   | 3.4 km/h                                |
| Platform raised, maximum  | 0.8 km/h<br>12.2 m/45 sec               |
| <b>Floor loading information</b>  |   |
| Tire load, maximum  | 964 kg                                  |
| Tire contact pressure   | 14.96 kg / cm <sup>2</sup><br>1465 kPa  |
| Occupied floor pressure   | 963 kg / m <sup>2</sup><br>9.45 kPa     |

Note: Floor loading information is approximate and does not incorporate different option configurations. It should be used only with adequate safety factors.

Continuous improvement of our products is a Genie policy. Product specifications are subject to change without notice or obligation.



## Specifications

| Model  | GS-2646       |
|--|---------------|
| Height, working maximum  | 9.8 m         |
| Height, platform maximum   | 7.9 m         |
| Height, stowed maximum   | 2.26 m        |
| Height, stowed maximum rails folded  | 1.68 m        |
| Platform height, stowed maximum  | 1.16 m        |
| Height, guard rails  | 1.10 m        |
| Width  | 1.17 m        |
| Length, stowed   | 2.44 m        |
| Length, platform extended  | 3.33 m        |
| Platform extension length  | 88.9 cm       |
| Platform dimensions, (length x width)  | 2.26 x 1.16 m |
| Maximum load capacity, models without capacity indicator   | 454 kg        |
| Maximum load capacity, models with capacity indicator  | 454 - 798 kg  |
| Maximum wind speed   | 12.5 m/s      |
| Wheelbase  | 1.85 m        |
| Turning radius (outside)   | 2.29 m        |
| Turning radius (inside)  | 0 cm          |
| Ground clearance   | 10.2 cm       |
| Ground clearance Pothole guards deployed   | 1.9 cm        |
| Weight<br>(Machine weights vary with option configurations. See serial label for specific machine weight.) | 2468 kg       |

|   |   |
|---|---|
| Power source  | 4 Batteries, 6V 225AH                   |
| Controls  | Proportional                            |
| AC outlet in platform   | standard                                |
| Maximum hydraulic pressure (functions)                                    | 241 bar                                 |
| System voltage  | 24V                                     |
| Tire size   | 15 x 5 x 11 <sup>1</sup> / <sub>4</sub> |
| Airborne noise emissions  | <70 dB                                  |
| Maximum sound level at normal operating workstations (A-weighted)         |   |
| Vibration value does not exceed 2.5 m/s <sup>2</sup>                      |   |
| <b>Maximum slope rating, stowed position</b>                              | 30%(17°)                                |
| <b>Maximum side slope rating, stowed position</b>                         | 30%(17°)                                |
| Note: Slope rating is subject to ground conditions and adequate traction. |   |
| <b>Drive speeds</b>   |   |
| Stowed, maximum   | 3.5 km/h                                |
| Platform raised, maximum  | 0.8 km/h<br>12.2 m/45 sec               |
| <b>Floor loading information</b>  |   |
| Tire load, maximum  | 1136 kg                                 |
| Tire contact pressure   | 17.63 kg / cm <sup>2</sup><br>1727 kPa  |
| Occupied floor pressure   | 1110 kg / m <sup>2</sup><br>10.89 kPa   |

Note: Floor loading information is approximate and does not incorporate different option configurations. It should be used only with adequate safety factors.

Continuous improvement of our products is a Genie policy. Product specifications are subject to change without notice or obligation.



## Specifications

| Model  | GS-3246       |
|--|---------------|
| Height, working maximum  | 11.6 m        |
| Height, platform maximum   | 9.8 m         |
| Height, stowed maximum   | 2.37 m        |
| Height, stowed maximum rails folded  | 1.80 m        |
| Platform height, stowed maximum  | 1.28 m        |
| Height, guard rails  | 1.10 m        |
| Width  | 1.17 m        |
| Length, stowed   | 2.44 m        |
| Length, platform extended  | 3.33 m        |
| Platform extension length  | 88.9 cm       |
| Platform dimensions, (length x width)  | 2.26 x 1.16 m |
| Maximum load capacity, models without capacity indicator   | 318 kg        |
| Maximum load capacity, models with capacity indicator  | 318 - 699 kg  |
| Maximum wind speed   | 12.5 m/s      |
| Wheelbase  | 1.85 m        |
| Turning radius (outside)   | 2.29 m        |
| Turning radius (inside)  | 0 cm          |
| Ground clearance   | 10.2 cm       |
| Ground clearance Pothole guards deployed   | 1.9 cm        |
| Weight<br>(Machine weights vary with option configurations. See serial label for specific machine weight.) | 2796 kg       |

|   |   |
|---|---|
| Power source  | 4 Batteries, 6V 225AH                   |
| Controls  | Proportional                            |
| AC outlet in platform   | standard                                |
| Maximum hydraulic pressure (functions)  | 3500 psi      241 bar                   |
| System voltage  | 24V                                     |
| Tire size   | 15 x 5 x 11 <sup>1</sup> / <sub>4</sub> |
| Airborne noise emissions<br>Maximum sound level at normal operating workstations (A-weighted) | <70 dB                                  |
| Vibration value does not exceed   | 2.5 m/s <sup>2</sup>                    |
| <b>Maximum slope rating, stowed position</b>  | 25%(14°)                                |
| <b>Maximum side slope rating, stowed position</b>   | 25%(14°)                                |
| Note: Slope rating is subject to ground conditions and adequate traction.                     |   |
| <b>Drive speeds</b>   |   |
| Stowed, maximum   | 3.5 km/h                                |
| Platform raised, maximum  | 0.8 km/h<br>12.2 m/45 sec               |
| <b>Floor loading information</b>  |   |
| Tire load, maximum  | 1183 kg                                 |
| Tire contact pressure   | 18.36 kg / cm <sup>2</sup><br>1799 kPa  |
| Occupied floor pressure   | 1198 kg / m <sup>2</sup><br>11.75 kPa   |

Note: Floor loading information is approximate and does not incorporate different option configurations. It should be used only with adequate safety factors.

Continuous improvement of our products is a Genie policy. Product specifications are subject to change without notice or obligation.



---

**Genie Scandinavia**

**Phone** +46 31 575100  
**Fax** +46 31 579020

---

**Genie France**

**Phone** +33 (0)2 37 26 09 99  
**Fax** +33 (0)2 37 26 09 98

---

**Genie Iberica**

**Phone** +34 93 579 5042  
**Fax** +34 93 579 5059

---

**Genie Germany**

**Phone** +49 (0)4202 88520  
**Fax** +49 (0)4202 8852-20

---

**Genie U.K.**

**Phone** +44 (0)1476 584333  
**Fax** +44 (0)1476 584334

---

**Genie Mexico City**

**Phone** +52 55 5666 5242  
**Fax** +52 55 5666 3241

---

**Genie North America**

**Phone** 425.881.1800  
**Toll Free** USA and Canada  
800.536.1800  
**Fax** 425.883.3475

---

**Genie Australia Pty Ltd.**

**Phone** +61 7 3375 1660  
**Fax** +61 7 3375 1002

---

**Genie China**

**Phone** +86 21 53852570  
**Fax** +86 21 53852569

---

**Genie Malaysia**

**Phone** +65 98 480 775  
**Fax** +65 67 533 544

---

**Genie Japan**

**Phone** +81 3 3453 6082  
**Fax** +81 3 3453 6083

---

**Genie Korea**

**Phone** +82 25 587 267  
**Fax** +82 25 583 910

---

**Genie Brasil**

**Phone** +55 11 41 665 755  
**Fax** +55 11 41 665 754

---

**Genie Holland**

**Phone** +31 183 581 102  
**Fax** +31 183 581 566

Distributed By: