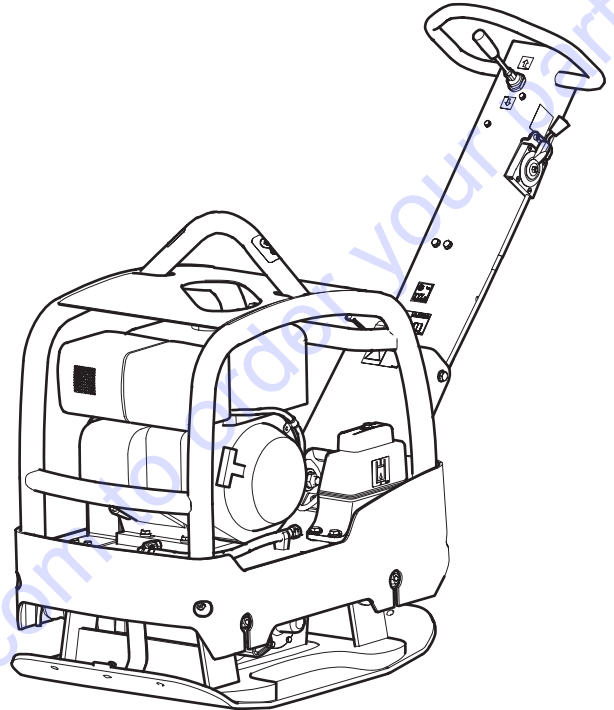


Spare parts list

Forward and reversible plate

| | Valid from serial number |
|---------------------------------------|--------------------------|
| LG 300 Honda Manual start 500 mm | 13003001 |
| LG 300 Honda Manual start 500 mm Bio | 13003001 |
| LG 300 Honda Manual start 600 mm | 13003001 |
| LG 300 Honda Manual start 600 mm Bio | 13003001 |
| LG 300 Hatz Electric start 500 mm | 13003001 |
| LG 300 Hatz Electric start 500 mm Bio | 13003001 |
| LG 300 Hatz Electric start 600 mm | 13003001 |
| LG 300 Hatz Electric start 600 mm Bio | 13003001 |
| LG 300 Hatz Manual start 500 mm | 13003001 |
| LG 300 Hatz Manual start 500 mm Bio | 13003001 |
| LG 300 Hatz Manual start 600 mm | 13003001 |
| LG 300 Hatz Manual start 600 mm Bio | 13003001 |
| LG 300 Honda Manual start 500 mm | BGF000001 |
| LG 300 Honda Manual start 500 mm Bio | BGF000001 |
| LG 300 Honda Manual start 600 mm | BGF000001 |
| LG 300 Honda Manual start 600 mm Bio | BGF000001 |
| LG 300 Hatz Electric start 500 mm | BGF000001 |
| LG 300 Hatz Electric start 500 mm Bio | BGF000001 |
| LG 300 Hatz Electric start 600 mm | BGF000001 |
| LG 300 Hatz Electric start 600 mm Bio | BGF000001 |
| LG 300 Hatz Manual start 500 mm | BGF000001 |
| LG 300 Hatz Manual start 500 mm Bio | BGF000001 |
| LG 300 Hatz Manual start 600 mm | BGF000001 |
| LG 300 Hatz Manual start 600 mm Bio | BGF000001 |
| LG 300 Hatz Electric start 500 mm EPA | BGF000001 |
| LG 300 Hatz Electric start 600 mm EPA | BGF000001 |



PARTS FINDER

**Search Website
by Part Number**



**Search Manual
Library For Parts
Manual & Lookup Part
Numbers – Purchase
or Request Quote**

Search Manuals

Enter your information to help us find the right parts manual for your machine.

* Brand:

* Model:

* Serial:

* Part Number:

SEARCH

**Can't Find Part or
Manual? Request Help
by Manufacturer,
Model & Description**

Parts Order Form

Please fill in the following information to help us find the right part for your machine.

| | |
|---------------|----------------------|
| Manufacturer: | <input type="text"/> |
| Model: | <input type="text"/> |
| Description: | <input type="text"/> |
| Part Number: | <input type="text"/> |
| Quantity: | <input type="text"/> |
| Notes: | <input type="text"/> |

Submit

Discount-Equipment.com is your online resource for quality parts & equipment.

Florida: **561-964-4949** Outside Florida TOLL FREE: **877-690-3101**

Need parts?

Click on this link: <http://www.discount-equipment.com/category/5443-parts/> and choose one of the options to help get the right parts and equipment you are looking for. Please have the machine model and serial number available in order to help us get you the correct parts. If you don't find the part on the website or on one of the online manuals, please fill out the request form and one of our experienced staff members will get back to you with a quote for the right part that your machine needs.

We sell worldwide for the brands: Genie, Terex, JLG, MultiQuip, Mikasa, Essick, Whiteman, Mayco, Toro Stone, Diamond Products, Generac Magnum, Airman, Haulotte, Barreto, Power Blanket, Nifty Lift, Atlas Copco, Chicago Pneumatic, Allmand, Miller Curber, Skyjack, Lull, Skytrak, Tsurumi, Husquvarna Target, Stow, Wacker, Sakai, Mi-T-M, Sullair, Basic, Dynapac, MBW, Weber, Bartell, Bennar Newman, Haulotte, Ditch Runner, Menegotti, Morrison, Contec, Buddy, Crown, Edco, Wyco, Bomag, Laymor, EZ Trench, Bil-Jax, F.S. Curtis, Gehl Pavers, Heli, Honda, ICS/PowerGrit, IHI, Partner, Imer, Clipper, MMD, Koshin, Rice, CH&E, General Equipment, Amida, Coleman, NAC, Gradall, Square Shooter, Kent, Stanley, Tamco, Toku, Hatz, Kohler, Robin, Wisconsin, Northrock, Oztec, Toker TK, Rol-Air, APT, Wylie, Ingersoll Rand / Doosan, Innovatech, Con X, Ammann, Mecalac, Makinex, Smith Surface Prep, Small Line, Wanco, Yanmar

General information

This spare parts list applies to the following:

| Part number | Description |
|--------------|----------------------------------------------------------------------------------|
| 3382 0000 39 | Forward and reversing plate LG 300 Honda Manual start 500 mm (19.68 in.) |
| 3382 0000 45 | Forward and reversing plate LG 300 Honda Manual start 500 mm (19.68 in.) Bio |
| 3382 0000 41 | Forward and reversing plate LG 300 Honda Manual start 600 mm (23.62 in.) |
| 3382 0000 47 | Forward and reversing plate LG 300 Honda Manual start 600 mm (23.62 in.) Bio |
| 3382 0000 38 | Forward and reversing plate LG 300 Hatz Electric start 500 mm (19.68 in.) |
| 3382 0000 44 | Forward and reversing plate LG 300 Hatz Electric start 500 mm (19.68 in.) Bio |
| 3382 0000 36 | Forward and reversing plate LG 300 Hatz Electric start 600 mm (23.62 in.) |
| 3382 0000 42 | Forward and reversing plate LG 300 Hatz Electric start 600 mm (23.62 in.) Bio |
| 3382 0000 37 | Forward and reversing plate LG 300 Hatz Manual start 500 mm (19.68 in.) |
| 3382 0000 46 | Forward and reversing plate LG 300 Hatz Manual start 500 mm (19.68 in.) Bio |
| 3382 0000 40 | Forward and reversing plate LG 300 Hatz Manual start 600 mm (23.62 in.) |
| 3382 0000 48 | Forward and reversing plate LG 300 Hatz Manual start 600 mm (23.62 in.) Bio |
| 3382 0002 78 | Forward and reversing plate LG 300 Hatz Electric start 600 mm (23.62 in.) EPA |
| 3382 0002 77 | Forward and reversing plate LG 300 Hatz Electric start 500 mm (19.68 in.) EPA |

Use only authorized parts. Any damage or malfunction caused by the use of unauthorized parts is not covered by Warranty or Product Liability. Any unauthorized use or copying of the contents or any part thereof is prohibited. This applies in particular to trademarks, model denominations, part numbers, and drawings.

Instructions for use

This spare parts list contains no safety regulations and is merely intended to assist in the ordering of spare parts.

For information about operating, servicing, or repairing, the relevant Safety and operating instructions must be consulted at all costs.

Please observe the safety instructions listed in the relevant Safety and operating instructions!

Contents

Spare parts list

Frame, Honda .1.

Frame and hoods, Hatz .3.

Engine plate .5.

Ground plate and eccentric element installation .7.

Block paving plate 500 mm(19.7 in.) .9.

Block paving plate 600 mm (23.6 in.) .11.

Transport device .13.

Eccentric element .15.

Engine installation, Honda .19.

Engine, Honda GX 270 UT SWS4 .21.

Engine installation, Hatz .25.

Engine, Hatz 1B30 electric start .27.

Engine, Hatz 1B30 electric start, EPA version .36.

Engine, Hatz 1B30 manual start .43.

Fuel tank, Hatz 1B30 .52.

Centrifugal clutch, Honda .56.

Centrifugal clutch, Hatz .59.

Belt tightener .61.

Hydraulic system .63.

Battery installation .67.

Handle .69.

Throttle control, Honda .71.

Throttle control, Hatz, Non EPA version .73.

Throttle control, Hatz, EPA version .75.

Labels, Honda .77.

Labels, Hatz .79.

Kits

One year service kit, Honda .81.

One year service kit, Hatz .83.

Shock absorber repair kit .85.

Forward and reverse piston repair kit .87.

Eccentric element repair kit .89.

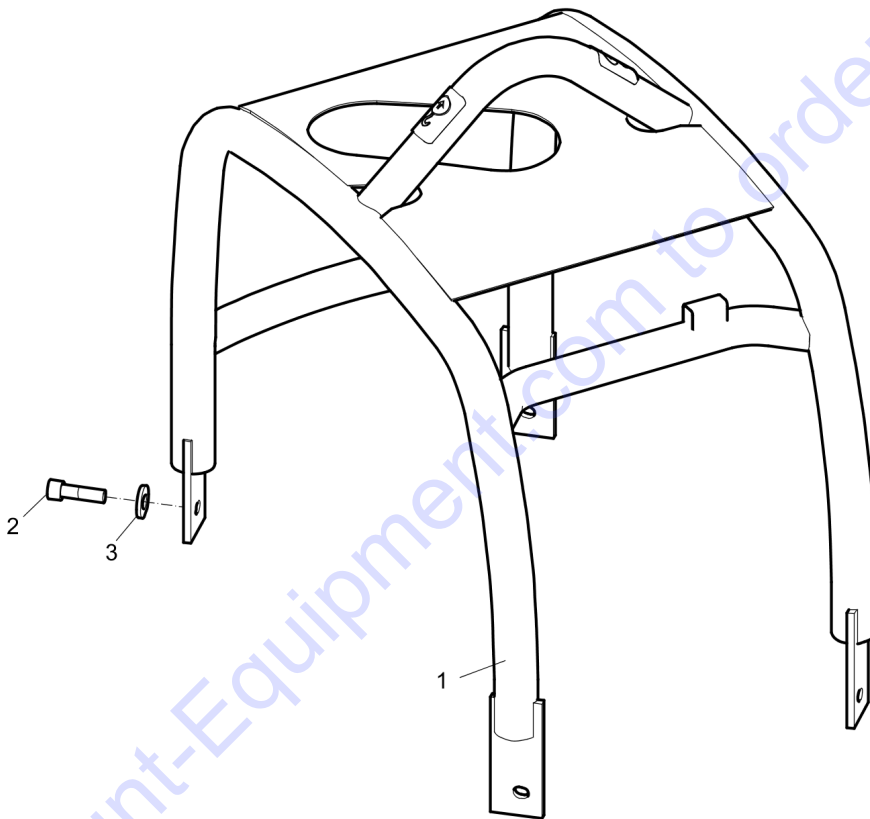
Block paving plate kit 500 mm (19.7 in.) .91.

Block paving plate kit 600 mm (23.6 in.) .93.

Transport device kit .95.

Go to Discount-Equipment.com to order your parts

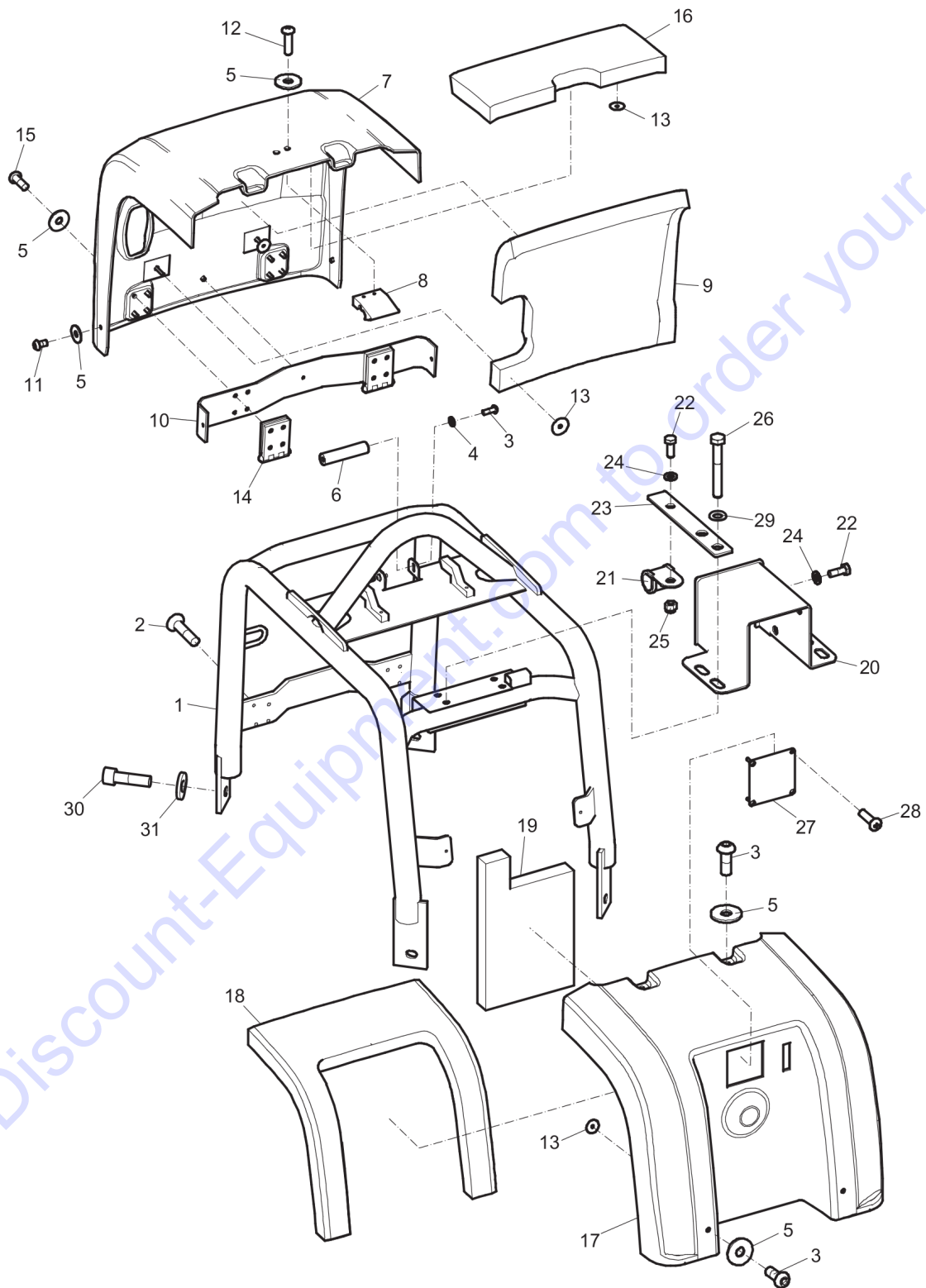
Spare parts list Frame, Honda



| Item | Part No. | Name | Qty | L |
|------|------------|--------------------------------|-----|---|
| 1 | 3382010159 | Protective frame | 1 | |
| 2 | 4700508063 | Screw, M12x40 mm 8.8 | 4 | |
| 3 | 4700904213 | Steel plain washer M12 13X30X4 | 4 | |

Go to Discount-Equipment.com to order your parts

Spare parts list Frame and hoods, Hatz

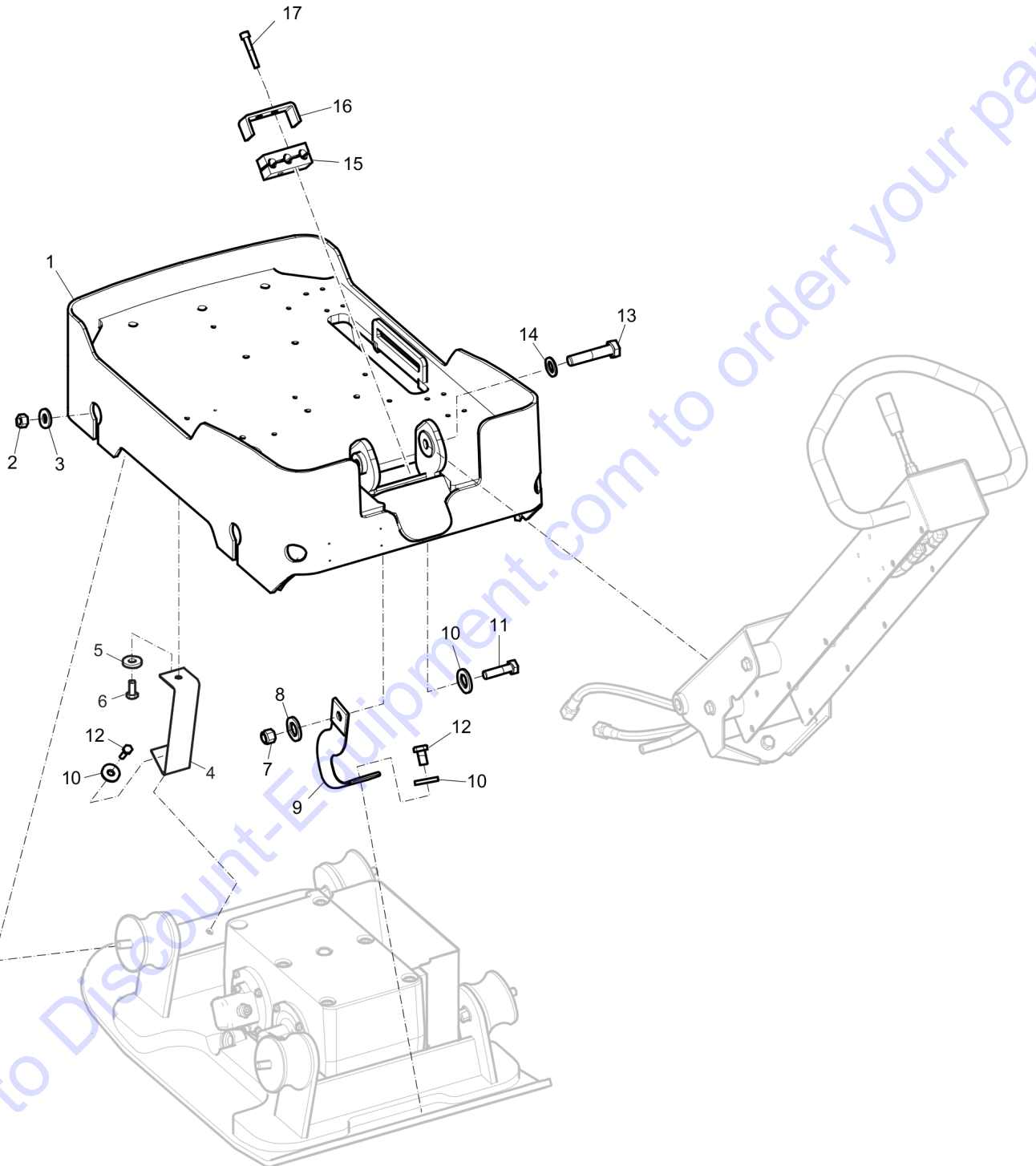


Refer to Parts Online for the most up to date information. The printed information might be outdated.

Wed Jan 13 06:13:30 MST 2016

| Item | Part No. | Name | Qty | L |
|------|------------|----------------------------------------------------------|-----|---|
| 1 | 3382010168 | Protective frame | 1 | |
| 2 | - | Screw, M6 x 16 mm A2-70 | 1 | |
| 3 | - | Screw, M6 x 16 mm A2-70 | 4 | |
| 4 | - | Washer, 6.4 x 12 x 1.5 mm, 0.25 x 0.47 x 0.06 in. 300 HV | 1 | |
| 5 | - | Washer, 6 x 18 x 2 mm, 0.24 x 0.71 x 0.08 in. 300 HV | 5 | |
| 6 | 4700379433 | Bar | 1 | |
| 7 | 3382010172 | Front hood | 1 | |
| 8 | 4700378927 | Clip | 1 | |
| 9 | 4700379045 | Insulation | 1 | |
| 10 | 4700379402 | Holder | 1 | |
| 11 | - | Screw, M6 x 10 mm A2-70 | 3 | |
| 12 | - | Screw, K50 x 18 mm | 2 | |
| 13 | 4700791234 | Insulation washer, 25 mm Type S3 | 14 | |
| 14 | 4700381882 | Hinge | 2 | |
| 15 | - | Screw, M6 x 16 mm A2-70 | 8 | |
| 16 | 4700390485 | Insulation | 1 | |
| 17 | 3382010173 | Hood | 1 | |
| 18 | 4700379046 | Insulation | 1 | |
| 19 | 4700379047 | Insulation | 1 | |
| 20 | 4700378756 | Holder | 1 | |
| 21 | 4700921031 | Clamp | 2 | |
| 22 | - | Screw, M6 x 16 mm 8.8 A2K | 6 | |
| 23 | 4700390487 | Bracket | 1 | |
| 24 | - | Washer, 6.4 x 12 x 1.5 mm, 0.25 x 0.47 x 0.06 in. 300 HV | 4 | |
| 25 | - | Lock nut, M6 ISO7040 | 2 | |
| 26 | - | Screw, M8 x 60 mm 8.8 A2K | 4 | |
| 27 | 3382010156 | Cover | 1 | |
| 28 | - | Screw, K50 x 18 mm | 4 | |
| 29 | - | Washer, 8.4 x 16 x 1.5 mm, 0.33 x 0.63 x 0.06 in. 300 HV | 4 | |
| 30 | - | Screw, M12 x 40 mm 8.8 A3K | 4 | |
| 31 | - | Washer, 13 x 30 x 4 mm, 0.51 x 1.18 x 0.16 in. 300 HV | 4 | |

Spare parts list Engine plate



Refer to Parts Online for the most up to date information. The printed information might be outdated.

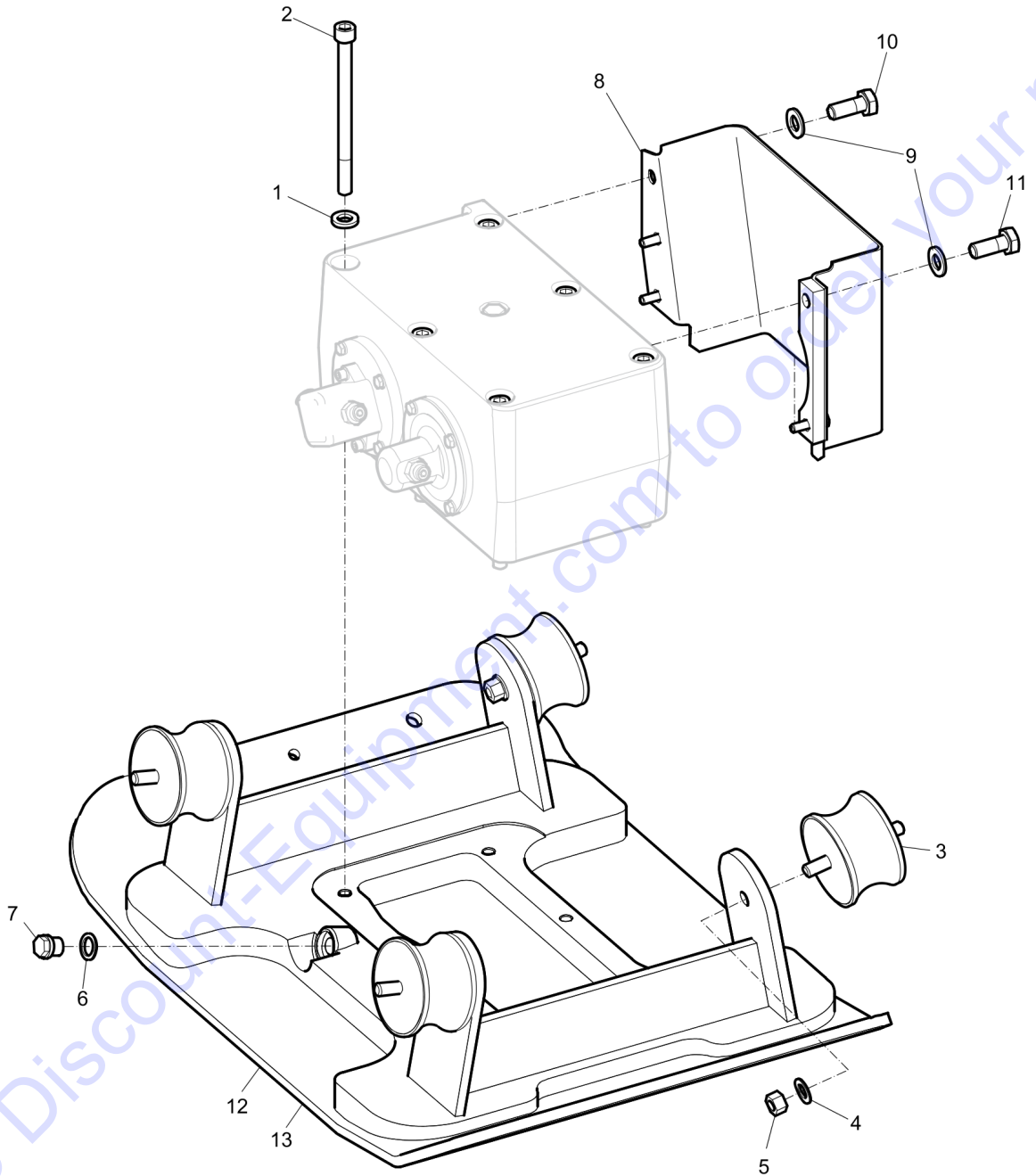
Wed Jan 13 06:13:31 MST 2016

| Item | Part No. | Name | Qty | L |
|------|------------|---------------------------------------------------------|-----|---|
| 1 | 3382010169 | Engine plate | 1 | |
| 2 | - | Nut, M12 A3K | 4 | |
| 3 | - | Washer, 13 x 30 x 4 mm, 0.51 x 1.18 x 0.16 in. 300 HV | 4 | |
| 4 | 3382010059 | Strap | 1 | |
| 5 | - | Washer, 13 x 36 x 6 mm, 0.51 x 1.42 x 0.24 in. 300 HV | 1 | |
| 6 | - | Screw, M12 x 25 mm 8.8 A3K | 1 | |
| 7 | - | Lock nut, M12 | 1 | |
| 8 | - | Washer, 13 x 24 x 2 mm, 0.51 x 0.94 x 0.08 in. 300 HV | 1 | |
| 9 | 3382010021 | Strap | 1 | |
| 10 | - | Washer, 13 x 36 x 6 mm, 0.51 x 1.42 x 0.24 in. 300 HV | 3 | |
| 11 | - | Screw, M12 x 45 mm 8.8 A3K | 2 | |
| 12 | - | Screw, M12 x 20 mm 8.8 A3K | 2 | |
| 13 | 4700947700 | Screw, M16 x 80 mm 10.9 GEOMET® | 2 | |
| 14 | - | Washer, 10.5 x 22 x 2 mm, 0.41 x 0.87 x 0.08 in. 300 HV | 4 | |
| 15 | 4700280534 | Rubber block | 1 | |
| 16 | 3382010182 | Bracket | 1 | |
| 17 | - | Screw, M8 x 50 mm 8.8 A2K | 2 | |

Comments for Page: Engine plate

GEOMET is a registered trademark of Nof Metal Coatings North America Inc.

Spare parts list Ground plate and eccentric element installation



Refer to Parts Online for the most up to date information. The printed information might be outdated.

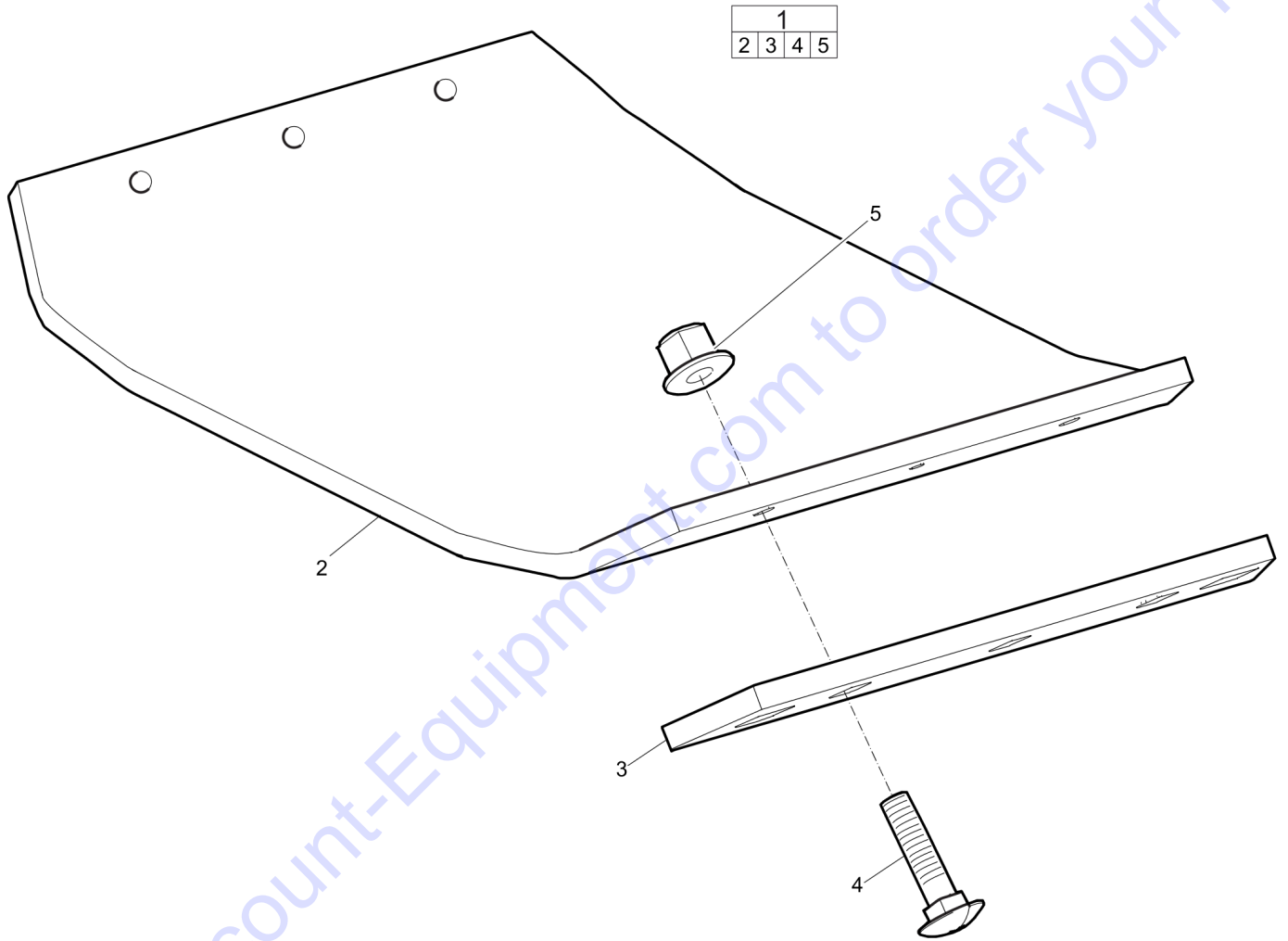
Wed Jan 13 06:13:33 MST 2016

| Item | Part No. | Name | Qty | L |
|------|------------|----------------------------------------------------------------|-----|---|
| 1 | - | Washer, 13 x 24 x 6 mm, 0.51 x 0.95 x 0.16 in. 300 HV | 6 | |
| 2 | 4700929454 | Screw, M12 x 160 mm 12.9GEOMET® | 6 | |
| 3 | 4700280750 | Shock absorber | 4 | |
| 4 | - | Washer, 13 x 24 x 2 mm, 0.51 x 0.94 x 0.08 in. 300 HV | 4 | |
| 5 | - | Nut, M12 A3K | 4 | |
| 6 | - | Washer, 16.7 x 24 x 1.5 mm, 0.66 x 0.94 x 0.06 in. TYPE A, M16 | 1 | |
| 7 | 4700232143 | Plug, M16 | 1 | |
| 8 | 4700378048 | Belt Guard | 1 | |
| 9 | - | Washer, 8.4 x 16 x 1.5 mm, 0.33 x 0.63 x 0.06 in. 300 HV | 5 | |
| 10 | 4700500053 | Screw, M8x20 mm 8.8 A2K | 3 | |
| 11 | - | Screw, M8 x 30 mm 8.8 A2K | 2 | |
| 12 | 4812070674 | Ground plate, 500 mm, 19.68 in. | 1 | |
| 13 | 4812070076 | Ground plate, 600 mm, 23.62 in. | 1 | |

Comments for Page: Ground plate and eccentric element installation

GEOMET is a registered trademark of Nof Metal Coatings North America Inc.

Spare parts list Block paving plate 500 mm(19.7 in.)



Refer to Parts Online for the most up to date information. The printed information might be outdated.

Wed Jan 13 06:13:35 MST 2016

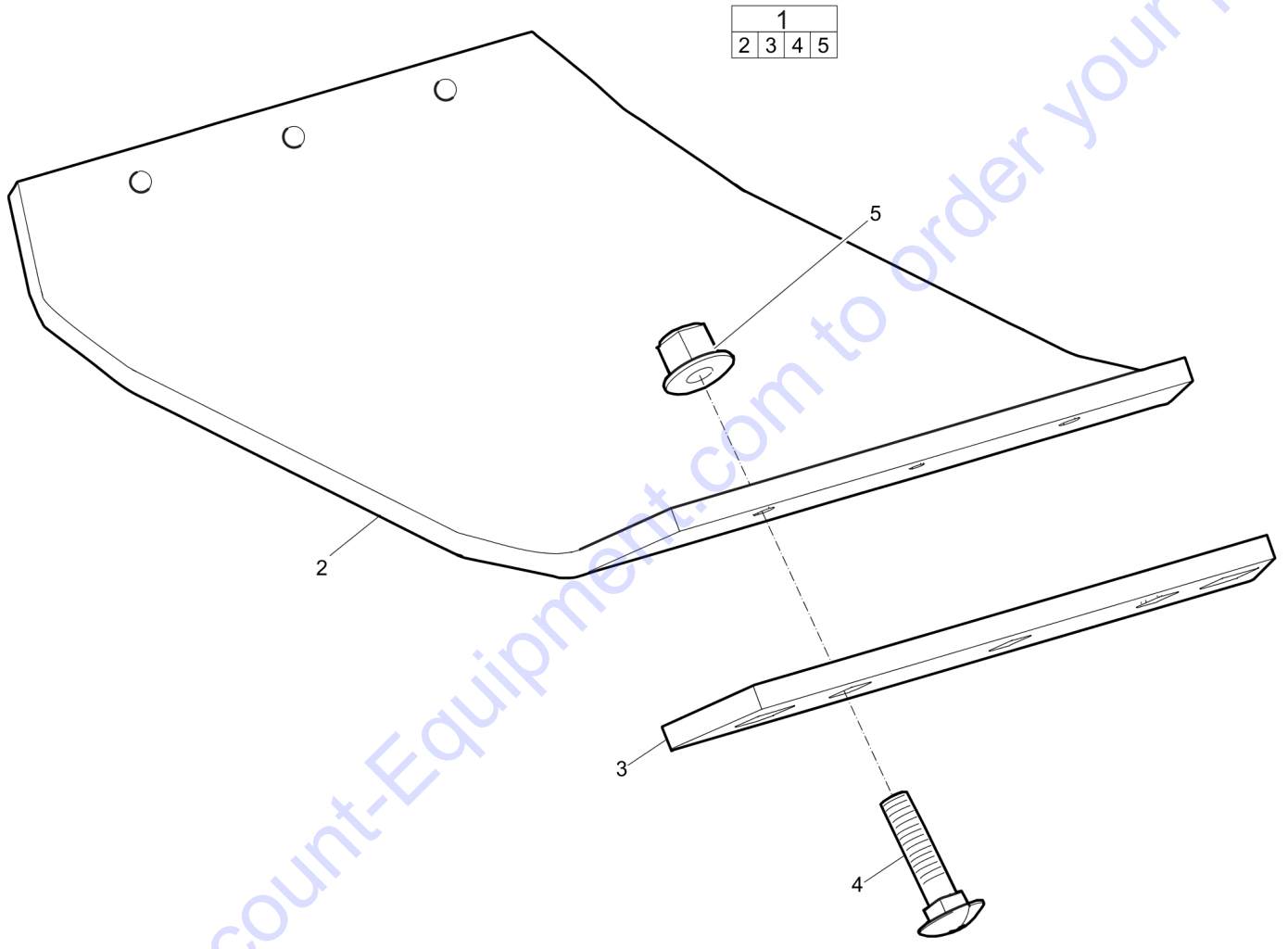
| Item | Part No. | Name | Qty | L |
|------|------------|------------------------|-----|---|
| 1 | 4700394461 | Block paving plate kit | 1 | |
| 2 | 4700391211 | Polyurethane plate | 1 | A |
| 3 | 4700381954 | Bracket | 2 | |
| 4 | 4700904341 | Coach bolt | 4 | |
| 5 | -- | Nut, M10 x 1.5 mm A3K | 4 | |

Comments for Page: Block paving plate 500 mm(19.7 in.)

(L)OCAL REMARKS

A | Polyurethane

Spare parts list Block paving plate 600 mm (23.6 in.)



Go to Discount-Equipment.com to order your parts

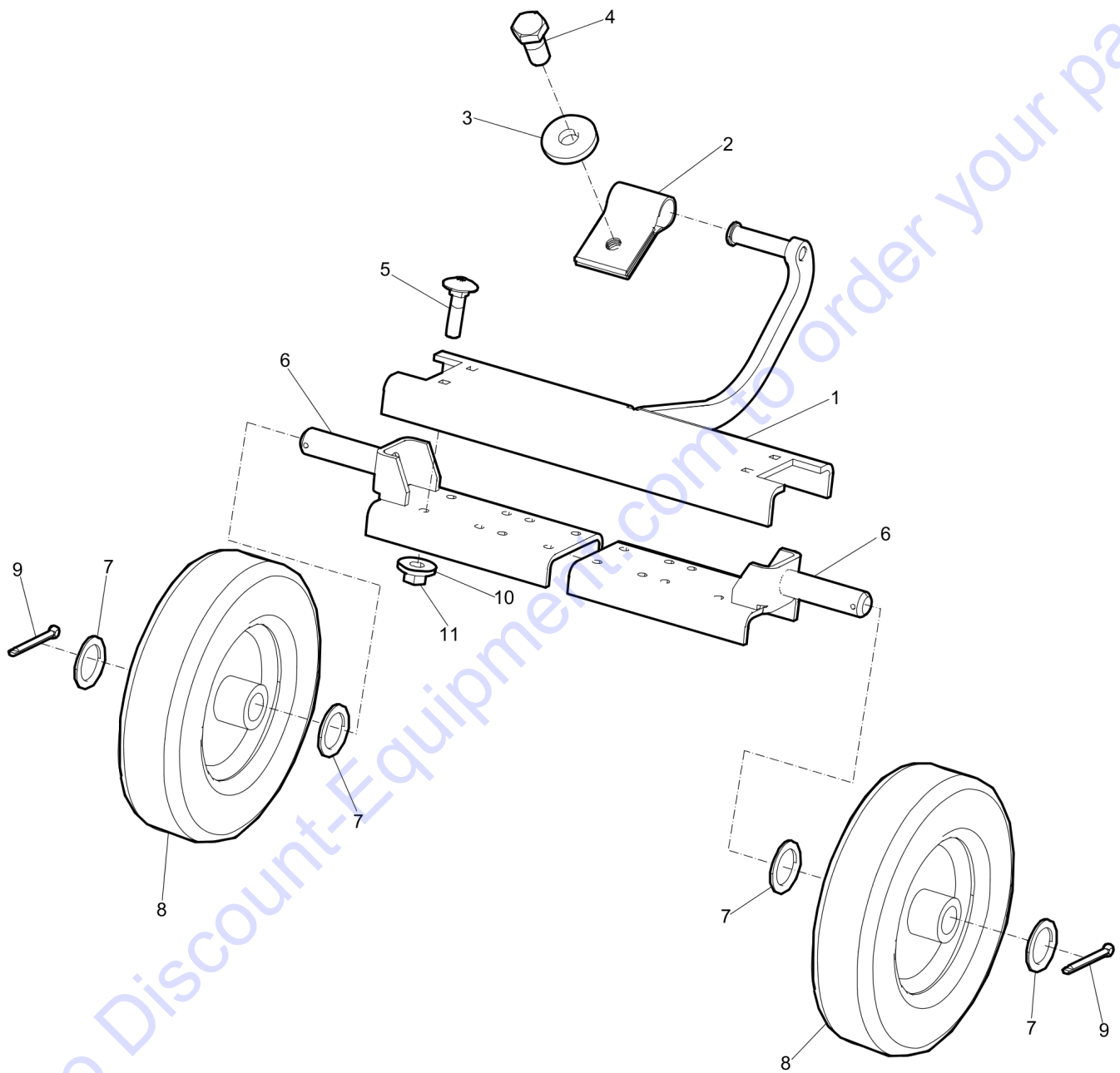
| Item | Part No. | Name | Qty | L |
|------|------------|------------------------|-----|---|
| 1 | 4700394461 | Block paving plate kit | 1 | |
| 2 | 4700391212 | Polyurethane plate | 1 | A |
| 3 | 4700381954 | Bracket | 2 | |
| 4 | 4700904341 | Coach bolt | 4 | |
| 5 | -- | Nut, M10 x 1.5 mm A3K | 4 | |

Comments for Page: Block paving plate 600 mm (23.6 in.)

(L)OCAL REMARKS

A | Polyurethane

Spare parts list Transport device

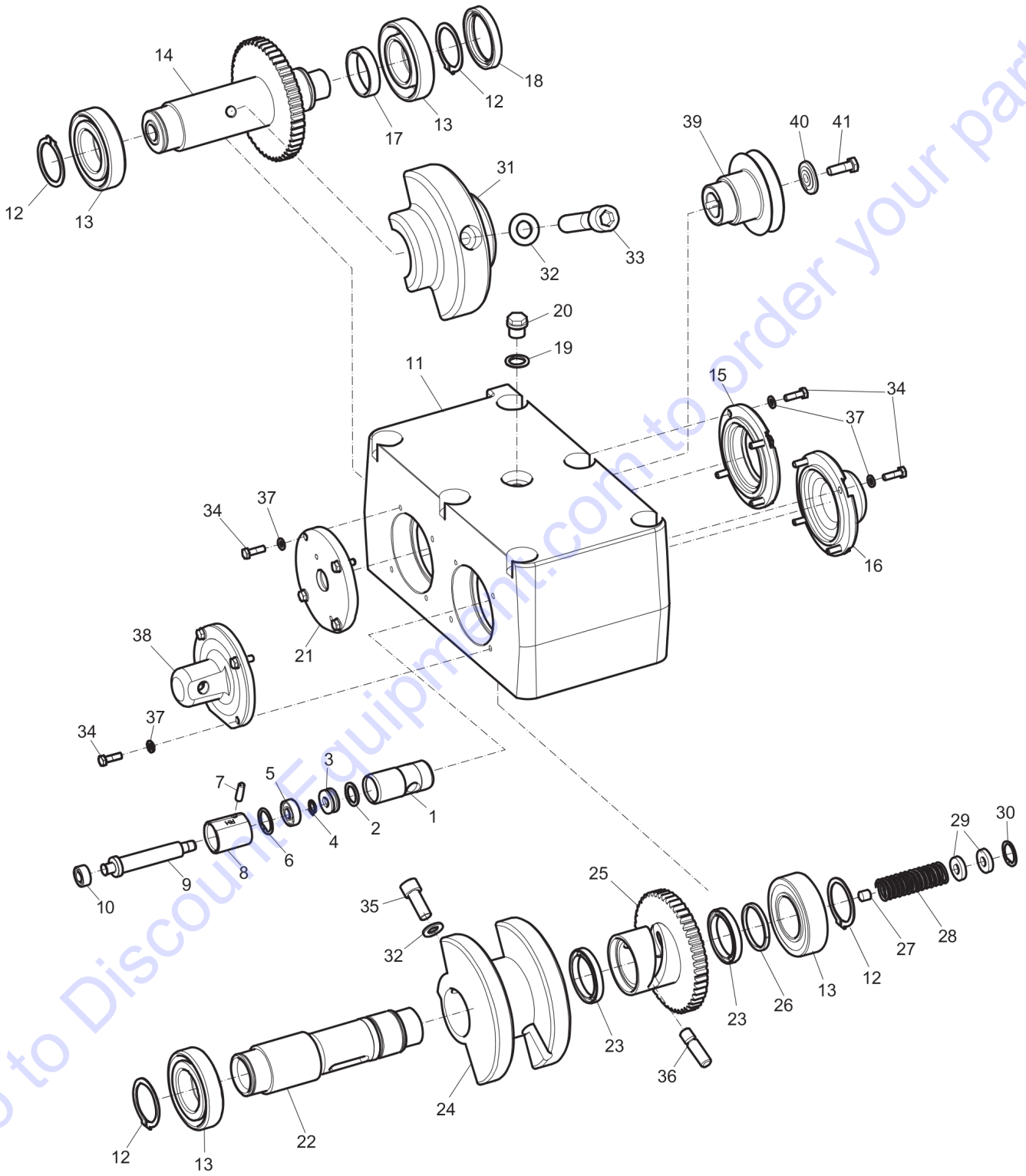


Refer to Parts Online for the most up to date information. The printed information might be outdated.

Wed Jan 13 06:13:39 MST 2016

| Item | Part No. | Name | Qty | L |
|------|------------|--------------------------------------------------------|-----|---|
| 1 | 4700394933 | Transport device | 1 | |
| 2 | 4700280417 | Strap | 1 | |
| 3 | - | Washer, 13 x 36 x 6 mm, 0.51 x 1.42 x 0.24 in. 300 HV | 1 | |
| 4 | - | Screw, M12 x 25 mm 8.8 A3K | 1 | |
| 5 | - | Screw, M8 x 30 mm 8.8 | 4 | |
| 6 | 4700394985 | Wheel bracket | 2 | |
| 7 | 4700271032 | Washer | 4 | |
| 8 | 4700383598 | Wheel | 2 | |
| 9 | 4700630015 | Split pin | 2 | |
| 10 | - | Washer, 8.4 x 22 x 3 mm, 0.33 x 0.87 x 0.12 in. 300 HV | 4 | |
| 11 | | Nut, M8 A2K | 4 | |

Spare parts list Eccentric element



Refer to Parts Online for the most up to date information. The printed information might be outdated.

Wed Jan 13 06:13:40 MST 2016

| Item | Part No. | Name | Qty | L |
|------|------------|----------------------------------------------------------------------|-----|---|
| 1 | 4812070053 | Piston | 1 | |
| 2 | 4812070363 | Spring washer | 1 | |
| 3 | 4812070362 | Thrust ball bearing | 1 | |
| 4 | 4700150002 | Retaining ring | 1 | |
| 5 | 4812070359 | Ball bearing | 1 | |
| 6 | 4700151039 | Retaining ring | 1 | |
| 7 | 4700629062 | Spring pin | 1 | |
| 8 | 4812070097 | Cap | 1 | |
| 9 | 4812070051 | Piston rod | 1 | |
| 10 | 4700281276 | Sealing ring | 1 | |
| 11 | 4700379175 | Eccentric housing | 1 | |
| 12 | 4700150017 | Retaining ring | 4 | |
| 13 | 4700903363 | Ball bearing | 4 | |
| 14 | 4700395060 | Shaft, cpl | 1 | |
| 15 | 4700379167 | Cover | 1 | |
| 16 | 4812070055 | Cover | 1 | |
| 17 | 4700280645 | Spacer ring | 1 | |
| 18 | 4700928794 | Sealing ring | 1 | |
| 19 | 4700162011 | Washer, 16.7x24x1.5 mm Type A M16 | 1 | |
| 20 | 4700232143 | Plug, M16 | 1 | |
| 21 | 4700379168 | Cover | 1 | |
| 22 | 4812070054 | Eccentric shaft | 1 | |
| 23 | 4700929287 | Ball bearing | 2 | |
| 24 | 4700280669 | Eccentric | 1 | |
| 25 | 4812070096 | Gear wheel | 1 | |
| 26 | 4700280646 | Spacer | 1 | |
| 27 | - | Socket screw, M10 x 12 mm | 1 | |
| 28 | 4700280677 | Spring | 1 | |
| 29 | 4700280648 | Washer | 2 | |
| 30 | 4700151007 | Retaining ring | 1 | |
| 31 | 4700286380 | Weight | 1 | |
| 32 | - | Steel plain washer, 12 x 22 x 2 mm, 0.47 x 0.87 x 0.08 in. 300 HV | 2 | |
| 33 | 4700792724 | Screw, M12 x 60 mm 10.9GEOMET® | 1 | |
| 34 | - | Screw, M6 x 20 mm 8.8 A2K | 16 | |
| 35 | 4700792723 | Screw, M12 x 30mm 10.9GEOMET® | 1 | |
| 36 | 4700280644 | Pin | 1 | |
| 37 | - | Steel plain washer, 6.4 x 12 x 1.5 mm, 0.25 x 0.47 x 0.06 in. 300 HV | 16 | |

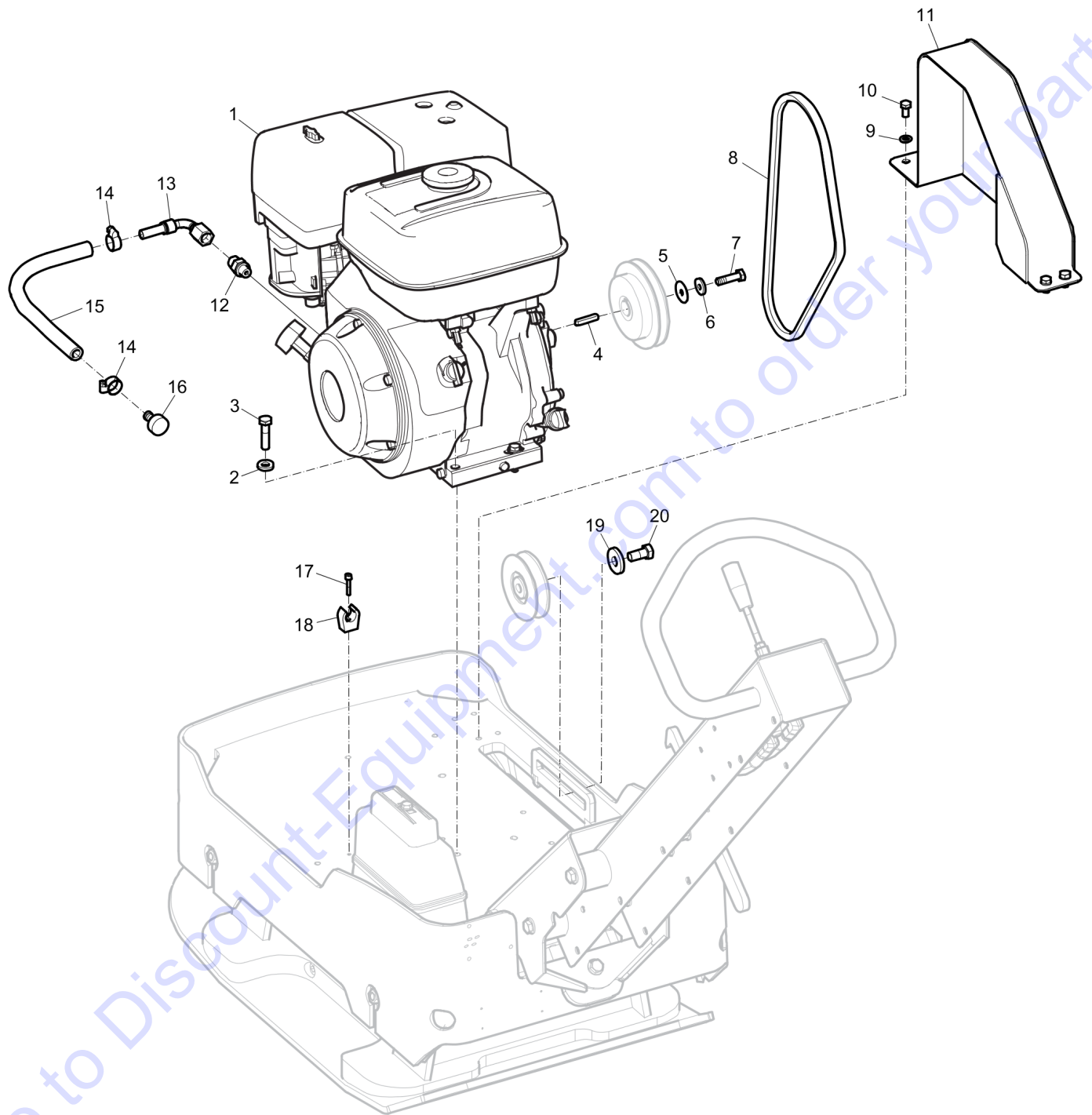
Refer to Parts Online for the most up to date information. The printed information might be outdated.

Wed Jan 13 06:13:40 MST 2016

| Item | Part No. | Name | Qty | L |
|------|------------|--------------------|-----|---|
| 38 | 4812070050 | Hydraulic cylinder | 1 | |
| 39 | 4700377911 | Pulley | 1 | |
| 40 | 4700280654 | Washer | 1 | |
| 41 | - | Screw, M10 x 25 mm | 1 | |

Go to Discount-Equipment.com to order your parts

Spare parts list Engine installation, Honda

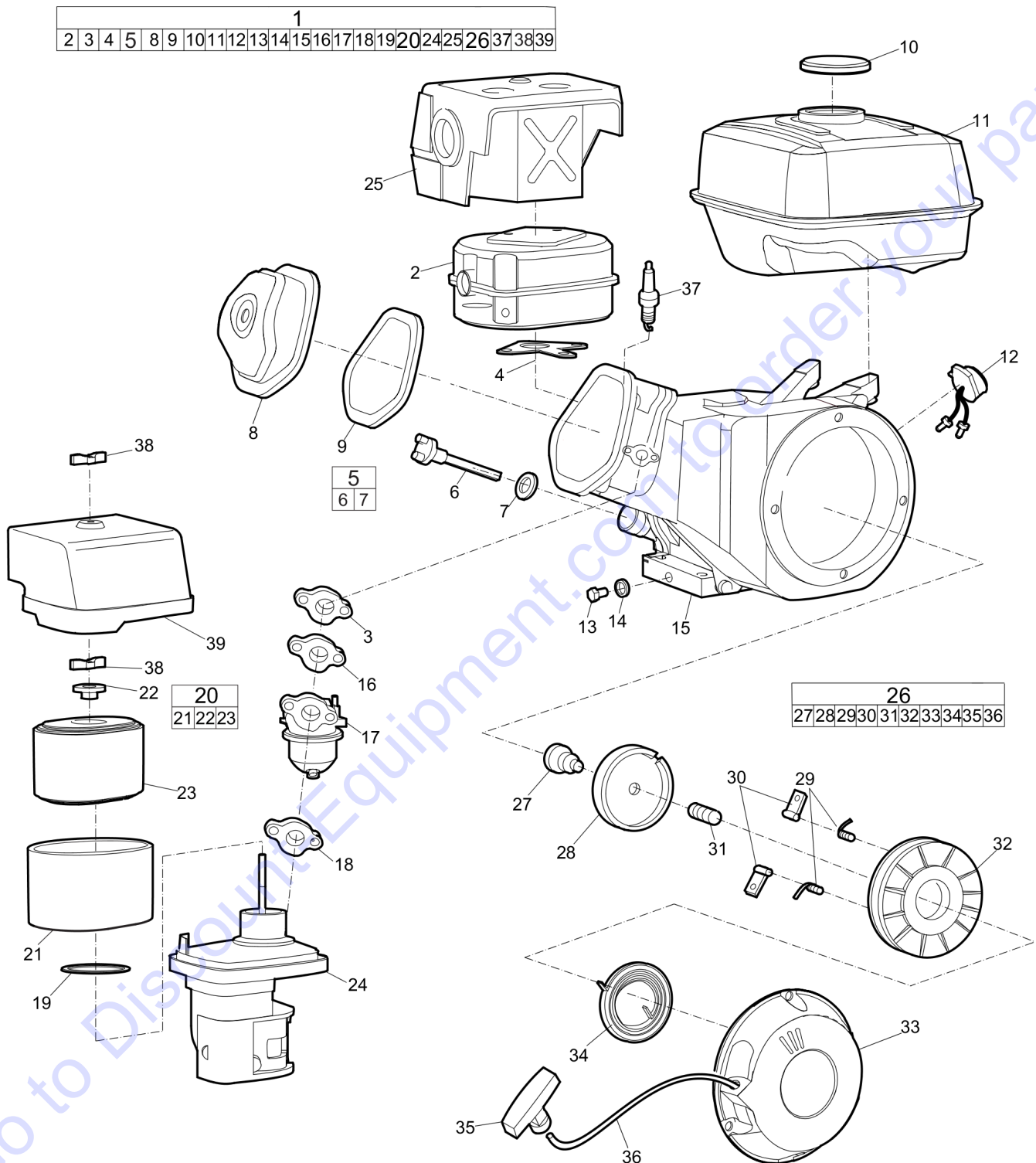


Refer to Parts Online for the most up to date information. The printed information might be outdated.

Wed Jan 13 06:13:44 MST 2016

| Item | Part No. | Name | Qty | L |
|------|------------|----------------------------------------------------------|-----|---|
| 1 | 4700284115 | Engine | 1 | |
| 2 | - | Washer, 10.5 x 22 x 4 mm , 0.33 x 0.87 x 0.16 in. 300 HV | 4 | |
| 3 | - | Screw, M10 x 40 mm 8.8 A3K | 4 | |
| 4 | - | Key | 1 | |
| 5 | - | Washer, 9 x 35 x 2 mm SR | 1 | |
| 6 | - | Washer, 8.4 x 26 x 4 mm, 0.33 x 1.02 x 0.16 in. 300 HV | 1 | |
| 7 | - | Screw, M8 x 30 mm 8.8 A2K | 1 | |
| 8 | 4700281336 | V-belt | 1 | |
| 9 | - | Washer, 8.4 x 16 x 1.5 mm, 0.33 x 0.63 x 0.06 in. 300 HV | 4 | |
| 10 | - | Screw, M8 x 16 mm 8.8 A2K | 4 | |
| 11 | 3382010166 | V-belt cover | 1 | |
| 12 | 4700903268 | Connector | 1 | |
| 13 | 4700792099 | Connector | 1 | |
| 14 | 4700313001 | Hose clamp | 2 | |
| 15 | 3382010186 | Hose | 1 | |
| 16 | 3382010180 | Plug | 1 | |
| 17 | - | Screw, M5 x 25 mm 8.8 A2K | 1 | |
| 18 | 4700281234 | Ryw-clips | 1 | |
| 19 | - | Washer, 13 x 36 x 6 mm, 0.51 x 1.42 x 0.24 in. 300 HV | 1 | |
| 20 | - | Screw, M12 x 30 mm 8.8 A3K | 1 | |

Spare parts list Engine, Honda GX 270 UT SWS4



Refer to Parts Online for the most up to date information. The printed information might be outdated.

Wed Jan 13 06:13:47 MST 2016

| Item | Part No. | Name | Qty | L |
|------|------------|--------------------------|-----|---|
| 1 | 4700284115 | Engine | 1 | |
| 2 | 4700937502 | Muffler | 1 | |
| 3 | 4700937487 | Gasket | 1 | |
| 4 | 3382100198 | Gasket | 1 | |
| 5 | 3382100199 | Oil dipstick, complete | 1 | |
| 6 | --- | Oil dipstick | 1 | |
| 7 | 3382100166 | Gasket | 1 | |
| 8 | 3382100200 | Valve cover | 1 | |
| 9 | 3382100022 | Gasket | 1 | |
| 10 | 4700950168 | Fuel cap | 1 | |
| 11 | 3382100197 | Fuel tank | 1 | |
| 12 | 3382100201 | Engine switch | 1 | |
| 13 | 3382100202 | Oil drain plug | 1 | |
| 14 | 3382100058 | Gasket | 1 | |
| 15 | -- | Crankcase | 1 | |
| 16 | 4700937486 | Gasket | 1 | |
| 17 | 3382100203 | Carburetor | 1 | |
| 18 | 4700937485 | Spacer | 1 | |
| 19 | 4700937498 | Gasket | 1 | |
| 20 | 4700937499 | Air filter, cpl | 1 | |
| 21 | 4700361267 | Outer filter | 1 | |
| 22 | 4700239772 | Grommet | 1 | |
| 23 | --- | Inner filter | 1 | |
| 24 | 3382100204 | Air filter housing | 1 | |
| 25 | 3382100205 | Silencer cover | 1 | |
| 26 | 3382100206 | Recoil starter, complete | 1 | |
| 27 | 4700937471 | Screw | 1 | |
| 28 | 4700937467 | Guide | 1 | |
| 29 | 4700937466 | Spring | 2 | |
| 30 | 4700937463 | Ratchet | 2 | |
| 31 | 4700937464 | Spring | 1 | |
| 32 | 4700937462 | Reel | 1 | |
| 33 | --- | Cover | 1 | |
| 34 | 4700937465 | Spring | 1 | |
| 35 | 4700937468 | Knob | 1 | |
| 36 | 4700937469 | Valve block seal kit | 1 | |
| 37 | 4700937476 | Spark plug | 1 | |

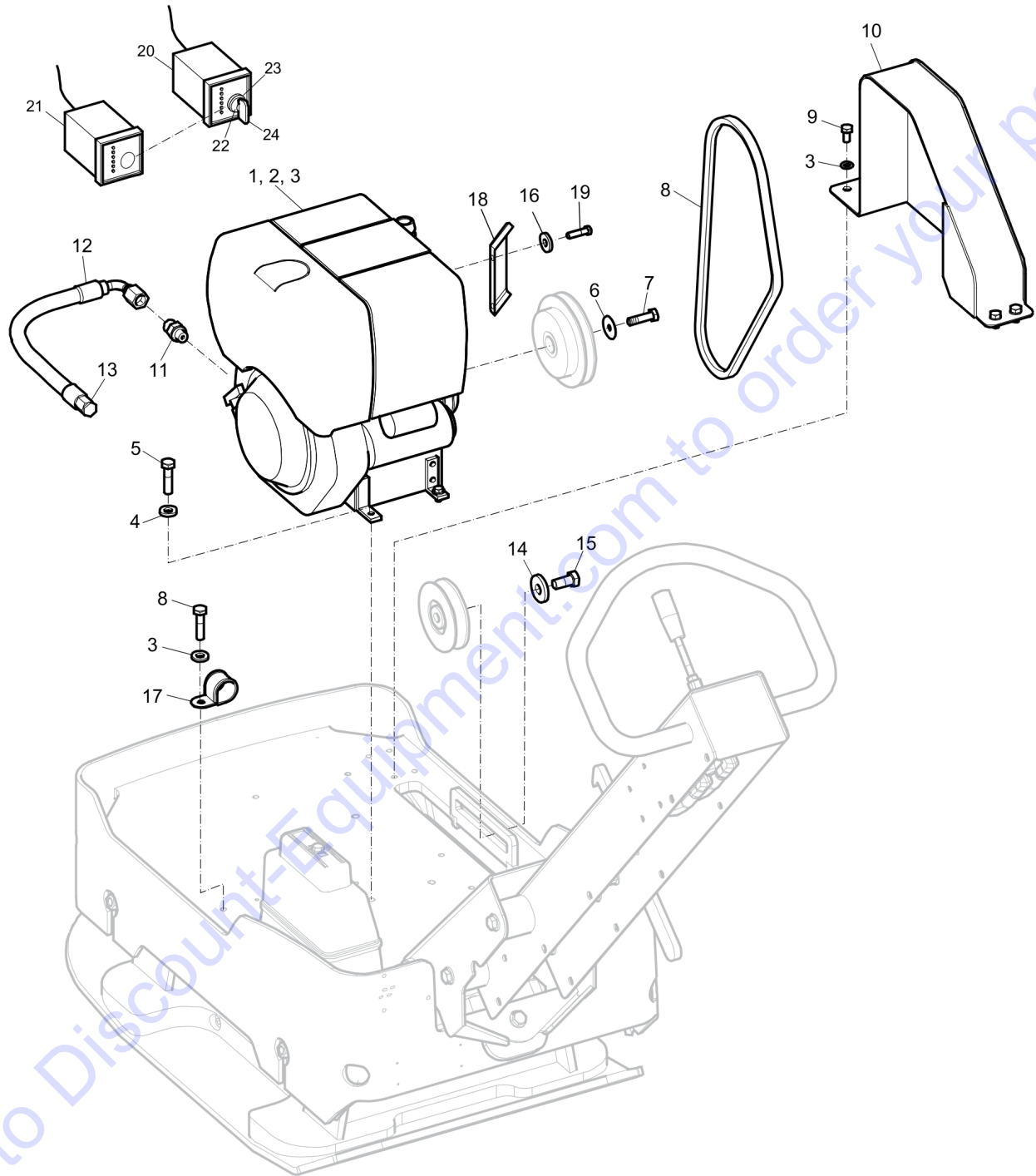
Refer to Parts Online for the most up to date information. The printed information might be outdated.

Wed Jan 13 06:13:47 MST 2016

| Item | Part No. | Name | Qty | L |
|------|------------|------------------|-----|---|
| 38 | 4700239771 | Nut | 2 | |
| 39 | 3382100062 | Air filter cover | 1 | |

Go to Discount-Equipment.com to order your parts

Spare parts list Engine installation, Hatz



Refer to Parts Online for the most up to date information. The printed information might be outdated.

Wed Jan 13 06:13:48 MST 2016

| Item | Part No. | Name | Qty | L |
|------|------------|----------------------------------------------------------|-----|---|
| 1 | 4700377894 | Diesel engine, manual | 1 | |
| 2 | 4700377893 | Diesel engine, electric | 1 | |
| 3 | 3382012249 | Diesel engine, Hatz 1B30 electric start, EPA-version | | A |
| 4 | - | Washer, 8.4 x 16 x 1.5 mm, 0.33 x 0.63 x 0.06 in. 300 HV | 9 | |
| 5 | - | Screw, M8 x 20 mm 8.8 A2K | 4 | |
| 6 | - | Washer, 8.4 x 26 x 4 mm, 0.33 x 1.02 x 0.16 in. 300 HV | 1 | |
| 7 | - | Screw, M8 x 25 mm 8.8 A2K | 1 | |
| 8 | 4700281258 | V-belt | 1 | |
| 9 | - | Screw, M8 x 16 mm 8.8 A2K | 5 | |
| 10 | 3382010167 | V-belt cover | 1 | |
| 11 | 4700903925 | Connector | 1 | |
| 12 | 4700482539 | Hydraulic hose | 1 | |
| 13 | 4700232095 | Plug | 1 | |
| 14 | - | Washer, 13 x 30 x 4 mm, 0.51 x 1.18 x 0.16 in. 300 HV | 1 | |
| 15 | - | Screw | 1 | |
| 16 | 4700904228 | Washer 6.4x12x1.5 mm 300 HV | 2 | |
| 17 | 4700921044 | Clamp | 1 | |
| 18 | 4700390560 | Deflector | 1 | |
| 19 | 4700508002 | Cylinder screw | 2 | |
| 20 | 4700378071 | Control box | 1 | B |
| 21 | 4700378072 | Control box | 1 | C |
| 22 | 4700379028 | Dirt shield | 1 | |
| 23 | 4700938146 | Ignition switch | 1 | |
| 24 | 4700938086 | Ignition key | 1 | |

Comments for Page: Engine installation, Hatz

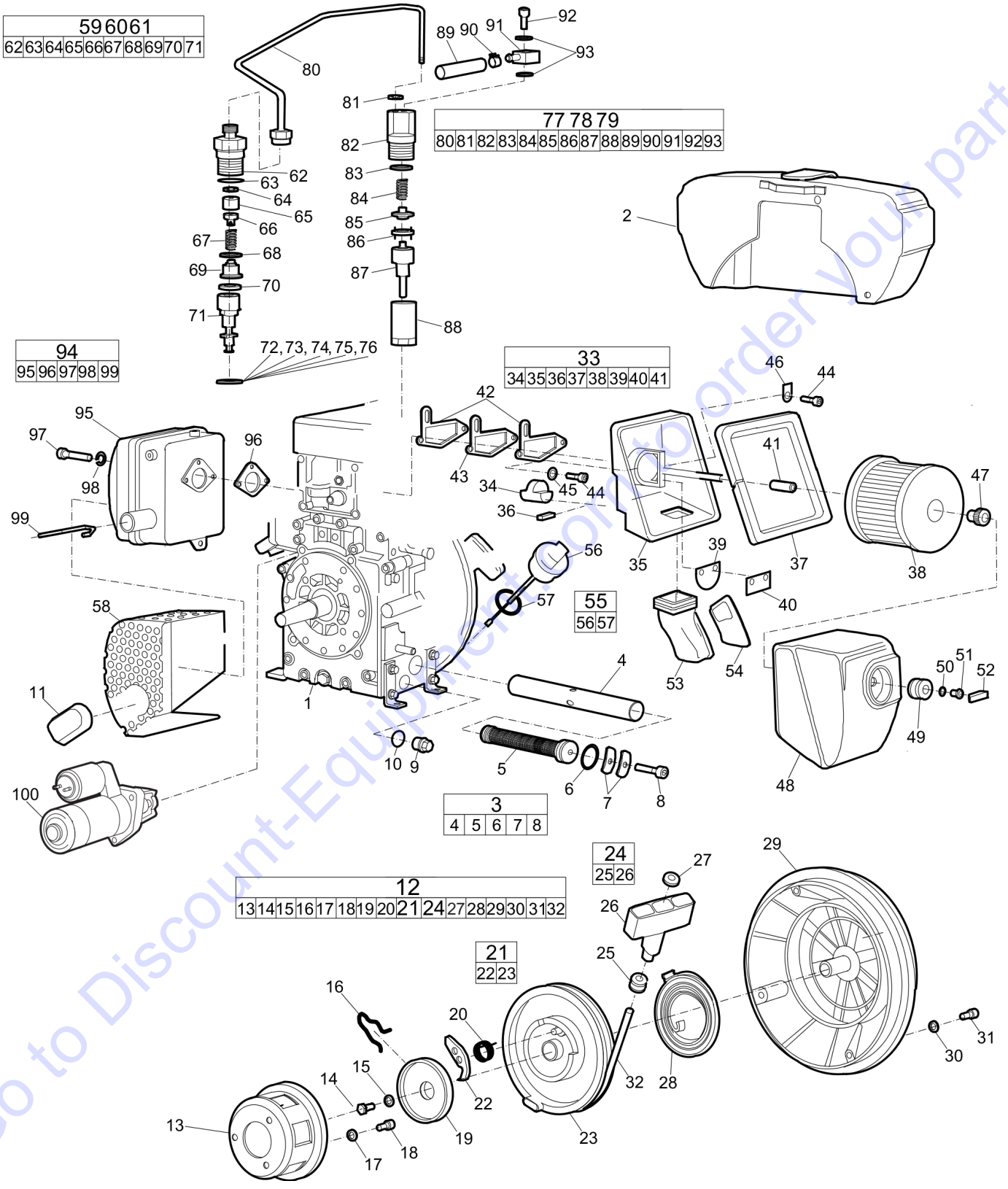
(L)OCAL REMARKS

A | For US and Canada market

B | Standard

C | Option

Spare parts list Engine, Hatz 1B30 electric start



Refer to Parts Online for the most up to date information. The printed information might be outdated.

Wed Jan 13 06:13:55 MST 2016

| Item | Part No. | Name | Qty | L |
|------|------------|--------------------------|-----|---|
| 1 | 4700377893 | Diesel engine, electric | 1 | A |
| 2 | - | Fuel tank | 1 | B |
| 3 | 4700937001 | Oil strainer, cpl | 1 | |
| 4 | -- | Tube | 1 | |
| 5 | -- | Oil strainer | 1 | |
| 6 | 3382100143 | O-ring | 1 | |
| 7 | 3382100144 | Washer | 2 | |
| 8 | -- | Screw, M6 x 10 mm | 1 | |
| 9 | 4700937002 | Plug | 1 | |
| 10 | 4700748479 | Washer | 1 | |
| 11 | 4700937004 | Exhaust pipe | 1 | |
| 12 | 4700936982 | Recoil starter, cpl | 1 | |
| 13 | 4700936999 | Starter pulley | 1 | |
| 14 | -- | Screw, M6 x 18 mm | 1 | |
| 15 | -- | Washer, M6 | 1 | |
| 16 | 4700936991 | Spring | 1 | |
| 17 | -- | Spring washer, M6 | 1 | |
| 18 | -- | Screw, M6 x 10 mm | 1 | |
| 18 | -- | Screw, M6 x 10 mm | 1 | |
| 19 | 4700936992 | Friction plate | 1 | |
| 20 | 4700936996 | O-ring | 1 | |
| 21 | 4700936990 | Reel | 1 | |
| 22 | 4700936995 | Ratchet | 1 | |
| 23 | --- | Start pulley | 1 | |
| 24 | 4700936983 | Handle, complete | 1 | |
| 25 | --- | Sleeve | 1 | |
| 26 | --- | Handle | 1 | |
| 27 | 3382100146 | Washer, 5.3 mm, 0.21 in. | 1 | |
| 28 | 4700936985 | Spiral spring | 1 | |
| 29 | 4700936986 | Housing | 1 | |
| 30 | -- | Washer, M6 | 4 | |
| 30 | -- | Washer, M6 | 4 | |
| 31 | -- | Screw, M6 | 4 | |
| 32 | 4700936989 | Rope | 1 | |
| 33 | 3382100207 | Air filter housing | 1 | |
| 34 | 4700937024 | Vent nipple | 1 | |
| 35 | -- | Housing | 1 | |

Refer to Parts Online for the most up to date information. The printed information might be outdated.

Wed Jan 13 06:13:55 MST 2016

| Item | Part No. | Name | Qty | L |
|------|------------|--------------------------|-----|---|
| 36 | 3382100147 | Sealing strip | 1 | |
| 37 | 4700940829 | Sealing strip | 1 | |
| 38 | 4700937013 | Filter element | 1 | |
| 39 | -- | Valve plate | 1 | C |
| 40 | -- | Valve plate | 1 | D |
| 40 | -- | Valve plate | 1 | D |
| 41 | 3382100148 | Rubber sleeve | 1 | |
| 40 | -- | Valve plate | 1 | D |
| 42 | 4700937022 | Gasket | 2 | |
| 43 | 4700937023 | Gasket | 1 | |
| 44 | - | Screw | 3 | |
| 45 | - | Washer, M8 | 2 | |
| 46 | 4700937011 | Washer | 1 | |
| 47 | 4700937014 | Nut | 1 | |
| 48 | 4700937348 | Protecting cover | 1 | |
| 49 | 4700937016 | Rubber sleeve | 1 | |
| 50 | 3382100149 | Shim | 1 | |
| 51 | - | Rivet | 1 | |
| 52 | 4700937017 | Nut | 1 | |
| 53 | 4700937019 | Rubber hose | 1 | |
| 54 | - | Cover | 1 | |
| 55 | 4700937608 | Oil dipstick | 1 | |
| 56 | -- | Dipstick | 1 | |
| 57 | 4700945425 | O-ring | 1 | |
| 58 | 4700939220 | Protecting cover | 1 | |
| 59 | 3382100208 | Injection pump, complete | 1 | E |
| 60 | 3382100209 | Injection pump, complete | 1 | F |
| 61 | 4700937346 | Injection pump | 1 | G |
| 62 | -- | Pump part | 1 | |
| 63 | -- | Pump part | 1 | |
| 63 | -- | Pump part | 1 | |
| 64 | -- | Pump part | 1 | |
| 64 | -- | Pump part | 1 | |
| 65 | -- | Pump part | 1 | |
| 65 | -- | Pump part | 1 | |
| 66 | -- | Pump part | 1 | |
| 66 | -- | Pump part | 1 | |

Refer to Parts Online for the most up to date information. The printed information might be outdated.

Wed Jan 13 06:13:55 MST 2016

| Item | Part No. | Name | Qty | L |
|------|------------|--------------------|-----|---|
| 67 | -- | Pump part | 1 | |
| 67 | -- | Pump part | 1 | |
| 68 | -- | Pump part | 1 | |
| 68 | -- | Pump part | 1 | |
| 69 | -- | Pump part | 1 | |
| 69 | -- | Pump part | 1 | |
| 70 | -- | Pump part | 1 | |
| 70 | -- | Pump part | 1 | |
| 71 | -- | Pump part | 1 | |
| 71 | -- | Pump part | 1 | |
| 72 | 4700936977 | O-ring 0,2 mm | 1 | |
| 73 | 4700936978 | O-ring 0,3 mm | 1 | |
| 74 | 4700936979 | O-ring 0,4 mm | 1 | |
| 75 | 4700936980 | O-ring 0,5 mm | 1 | |
| 76 | 4700936981 | O-ring 0,6 mm | 1 | |
| 63 | -- | Pump part | 1 | |
| 64 | -- | Pump part | 1 | |
| 65 | -- | Pump part | 1 | |
| 66 | -- | Pump part | 1 | |
| 67 | -- | Pump part | 1 | |
| 68 | -- | Pump part | 1 | |
| 69 | -- | Pump part | 1 | |
| 70 | -- | Pump part | 1 | |
| 71 | -- | Pump part | 1 | |
| 77 | 3382100210 | Injector, complete | 1 | H |
| 78 | 3382100211 | Injector, complete | 1 | I |
| 79 | 4700939763 | Injector, complete | 1 | J |
| 80 | -- | Injector part | 1 | |
| 81 | -- | Injector part | 1 | |
| 81 | -- | Injector part | 1 | |
| 82 | -- | Injector part | 1 | |
| 82 | -- | Injector part | 1 | |
| 83 | -- | Injector part | 1 | |
| 83 | -- | Injector part | 1 | |
| 84 | -- | Injector part | 1 | |
| 84 | -- | Injector part | 1 | |
| 85 | -- | Injector part | 1 | |

Refer to Parts Online for the most up to date information. The printed information might be outdated.

Wed Jan 13 06:13:56 MST 2016

| Item | Part No. | Name | Qty | L |
|------|------------|-------------------|-----|---|
| 85 | -- | Injector part | 1 | |
| 86 | -- | Injector part | 1 | |
| 86 | -- | Injector part | 1 | |
| 87 | -- | Injector part | 1 | |
| 87 | -- | Injector part | 1 | |
| 88 | -- | Injector part | 1 | |
| 88 | -- | Injector part | 1 | |
| 89 | -- | Injector part | 1 | |
| 89 | -- | Injector part | 1 | |
| 90 | -- | Injector part | 1 | |
| 90 | -- | Injector part | 1 | |
| 91 | -- | Injector part | 1 | |
| 91 | -- | Injector part | 1 | |
| 92 | -- | Injector part | 1 | |
| 92 | -- | Injector part | 1 | |
| 93 | -- | Injector part | 1 | |
| 93 | -- | Injector part | 1 | |
| 81 | -- | Injector part | 1 | |
| 82 | -- | Injector part | 1 | |
| 83 | -- | Injector part | 1 | |
| 84 | -- | Injector part | 1 | |
| 85 | -- | Injector part | 1 | |
| 86 | -- | Injector part | 1 | |
| 87 | -- | Injector part | 1 | |
| 88 | -- | Injector part | 1 | |
| 89 | -- | Injector part | 1 | |
| 90 | -- | Injector part | 1 | |
| 91 | -- | Injector part | 1 | |
| 92 | -- | Injector part | 1 | |
| 93 | -- | Injector part | 1 | |
| 94 | 4700939638 | Muffler | 1 | |
| 95 | -- | Silencer | 1 | |
| 96 | 4700937354 | Gasket | 1 | |
| 97 | -- | Screw, M8 x 25 mm | 1 | |
| 98 | -- | Washer, M8 | 1 | |
| 99 | 3382100151 | Hook | 1 | |
| 100 | 4700938935 | Starter | 1 | |

Refer to Parts Online for the most up to date information. The printed information might be outdated.

Wed Jan 13 06:13:57 MST 2016

Comments for Page: Engine, Hatz 1B30 electric start

(L)OCAL REMARKS

A | Consist of item 2 to 100.

B | See section "Fuel tank"

C | Black

D | Red

E | Valid from engine serial number 10127xxxxxxx

Consist of item 62 to 71.

F | Valid from engine serial number 10126xxxxxxx and 10125xxxxxxx

Consist of item 62 to 71.

G | Valid from engine serial number 10124xxxxxxx to 10110xxxxxxx

Consist of item 62 to 71.

H | Valid from engine serial number 10127xxxxxxx

Consist of item 80 to 93.

I | Valid from engine serial number 10126xxxxxxx and 10125xxxxxxx

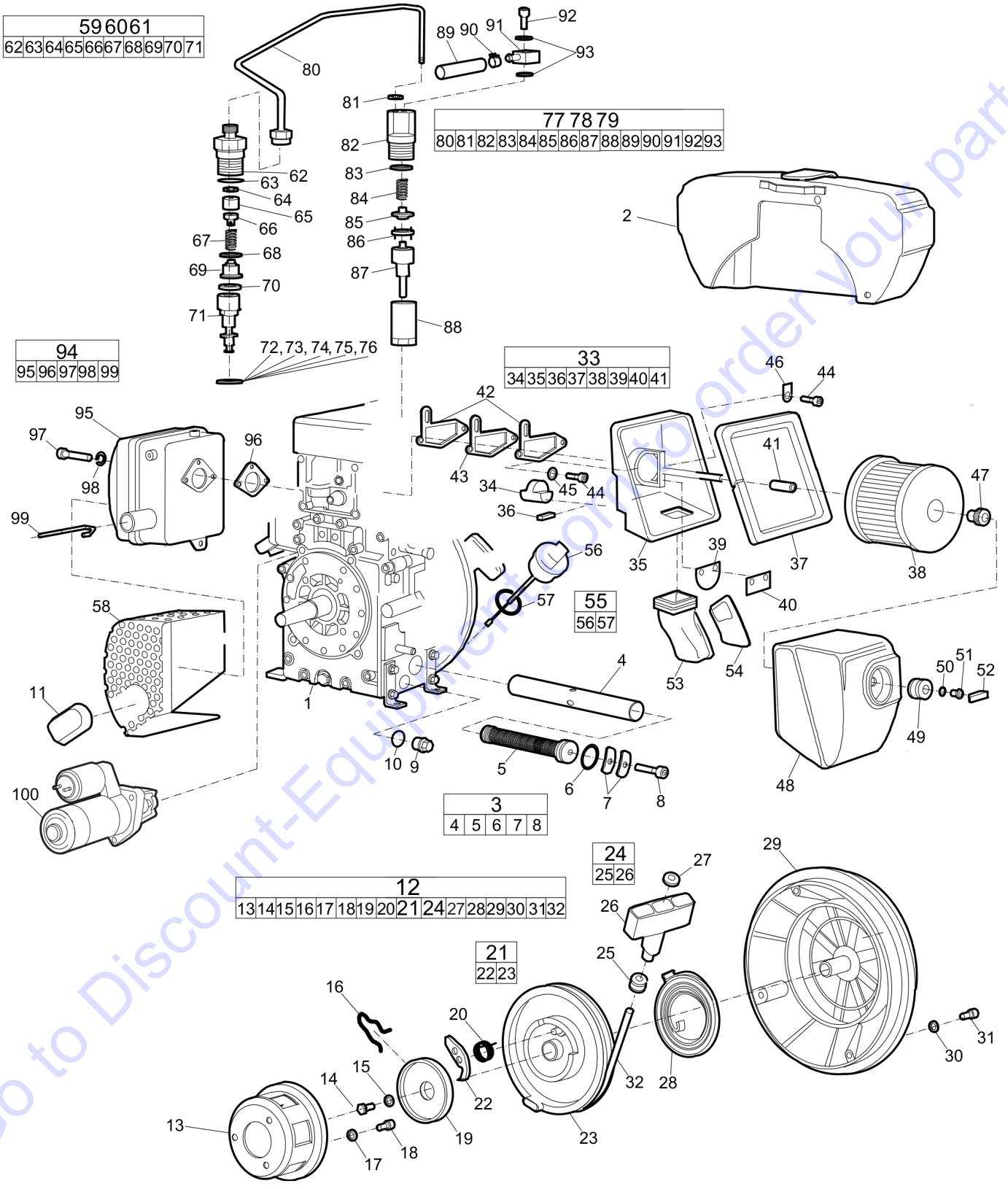
Consist of item 62 to 71.

J | Valid from engine serial number 10124xxxxxxx to 10110xxxxxxx

Consist of item 62 to 71.

Go to Discount-Equipment.com to order your parts

Spare parts list Engine, Hatz 1B30 electric start, EPA version



Refer to Parts Online for the most up to date information. The printed information might be outdated.

Wed Jan 13 06:13:59 MST 2016

| Item | Part No. | Name | Qty | L |
|------|------------|------------------------------------------------------|-----|---|
| 1 | 3382012249 | Diesel engine, Hatz 1B30 electric start, EPA-version | 1 | A |
| 2 | - | Fuel tank | 1 | B |
| 3 | 4700937001 | Oil strainer, cpl | 1 | |
| 4 | - | Tube | 1 | |
| 5 | - | Oil strainer | 1 | |
| 6 | 3382100143 | O-ring | 1 | |
| 7 | 3382100144 | Washer | 2 | |
| 8 | - | Screw, M6 x 10 mm | 1 | |
| 9 | 4700937002 | Plug | 1 | |
| 10 | 4700748479 | Washer | 1 | |
| 11 | 4700937004 | Exhaust pipe | 1 | |
| 12 | 4700936982 | Recoil starter, cpl | 1 | |
| 13 | 4700936999 | Starter pulley | 1 | |
| 14 | - | Screw, M6 x 18 mm | 1 | |
| 15 | - | Washer, M6 | 1 | |
| 16 | 4700936991 | Spring | 1 | |
| 17 | - | Spring washer, M6 | 1 | |
| 18 | - | Screw, M6 x 10 mm | 1 | |
| 19 | 4700936992 | Friction plate | 1 | |
| 20 | 4700936996 | O-ring | 1 | |
| 21 | 4700936990 | Reel | 1 | |
| 22 | 4700936995 | Ratchet | 1 | |
| 23 | - | Start pulley | 1 | |
| 24 | 4700936983 | Handle, complete | 1 | |
| 25 | - | Sleeve | 1 | |
| 26 | - | Handle | 1 | |
| 27 | 3382100146 | Washer, 5.3 mm, 0.21 in. | 1 | |
| 28 | 4700936985 | Spiral spring | 1 | |
| 29 | 4700936986 | Housing | 1 | |
| 30 | - | Washer, M6 | 4 | |
| 31 | - | Screw, M6 | 4 | |
| 32 | 4700936989 | Rope | 1 | |
| 33 | 3382100207 | Air filter housing | 1 | |
| 34 | 4700937024 | Vent nipple | 1 | |
| 35 | - | Housing | 1 | |
| 36 | 3382100147 | Sealing strip | 1 | |
| 37 | 4700940829 | Sealing strip | 1 | |

Refer to Parts Online for the most up to date information. The printed information might be outdated.

Wed Jan 13 06:13:59 MST 2016

| Item | Part No. | Name | Qty | L |
|------|------------|---------------------------------|-----|---|
| 38 | 4700937013 | Filter element | 1 | |
| 39 | - | Valve plate, black | 1 | |
| 40 | - | Valve plate, red | 1 | |
| 41 | 3382100148 | Rubber sleeve | 1 | |
| 42 | 4700937022 | Gasket | 2 | |
| 43 | 4700937023 | Gasket | 1 | |
| 44 | - | Screw, M8 | 3 | |
| 45 | - | Washer M8 ISO 7089, 13/25,4x3,4 | 2 | |
| 46 | 4700937011 | Washer | 1 | |
| 47 | 4700937014 | Nut | 1 | |
| 48 | 4700937348 | Protecting cover | 1 | |
| 49 | 4700937016 | Rubber sleeve | 1 | |
| 50 | 3382100149 | Shim | 1 | |
| 51 | - | Rivet | 1 | |
| 52 | 4700937017 | Nut | 1 | |
| 53 | 4700937019 | Rubber hose | 1 | |
| 54 | - | Cover | 1 | |
| 55 | 4700937608 | Oil dipstick | 1 | |
| 56 | - | Dipstick | 1 | |
| 57 | 4700945425 | O-ring | 1 | |
| 58 | 4700939220 | Protecting cover | 1 | |
| 59 | 3382100208 | Injection pump, complete | 1 | C |
| 60 | 3382100209 | Injection pump, complete | 1 | D |
| 61 | 4700937346 | Injection pump | 1 | E |
| 62 | - | Pump part | 1 | |
| 63 | - | Pump part | 1 | |
| 64 | - | Pump part | 1 | |
| 65 | - | Pump part | 1 | |
| 66 | - | Pump part | 1 | |
| 67 | - | Pump part | 1 | |
| 68 | - | Pump part | 1 | |
| 69 | - | Pump part | 1 | |
| 70 | - | Pump part | 1 | |
| 71 | - | Pump part | 1 | |
| 72 | 4700936977 | O-ring 0,2 mm | 1 | |
| 73 | 4700936978 | O-ring 0,3 mm | 1 | |
| 74 | 4700936979 | O-ring 0,4 mm | 1 | |

Refer to Parts Online for the most up to date information. The printed information might be outdated.

Wed Jan 13 06:14:00 MST 2016

| Item | Part No. | Name | Qty | L |
|------|------------|--------------------|-----|---|
| 75 | 4700936980 | O-ring 0,5 mm | 1 | |
| 76 | 4700936981 | O-ring 0,6 mm | 1 | |
| 77 | 3382100210 | Injector, complete | 1 | F |
| 78 | 3382100211 | Injector, complete | 1 | G |
| 79 | 4700939763 | Injector, complete | 1 | H |
| 80 | - | Injector part | 1 | |
| 81 | - | Injector part | 1 | |
| 82 | - | Injector part | 1 | |
| 83 | - | Injector part | 1 | |
| 84 | - | Injector part | 1 | |
| 85 | - | Injector part | 1 | |
| 86 | - | Injector part | 1 | |
| 87 | - | Injector part | 1 | |
| 88 | - | Injector part | 1 | |
| 89 | - | Injector part | 1 | |
| 90 | - | Injector part | 1 | |
| 91 | - | Injector part | 1 | |
| 92 | - | Injector part | 1 | |
| 93 | - | Injector part | 1 | |
| 94 | 4700939638 | Muffler | 1 | |
| 95 | - | Silencer | 1 | |
| 96 | 4700937354 | Gasket | 1 | |
| 97 | - | Screw, M8 x 25 mm | 1 | |
| 98 | - | Washer, M8 | 1 | |
| 99 | 3382100151 | Hook | 1 | |
| 100 | 4700938935 | Starter | 1 | |

Comments for Page: Engine, Hatz 1B30 electric start, EPA version

A | Consist of item 2 to 100.

B | See section "Fuel tank"

C | Valid from engine serial number 10127xxxxxxx, Consist of item 62 to 71.

D | Valid from engine serial number 10126xxxxxxx and 10125xxxxxxx, Consist of item 62 to 71.

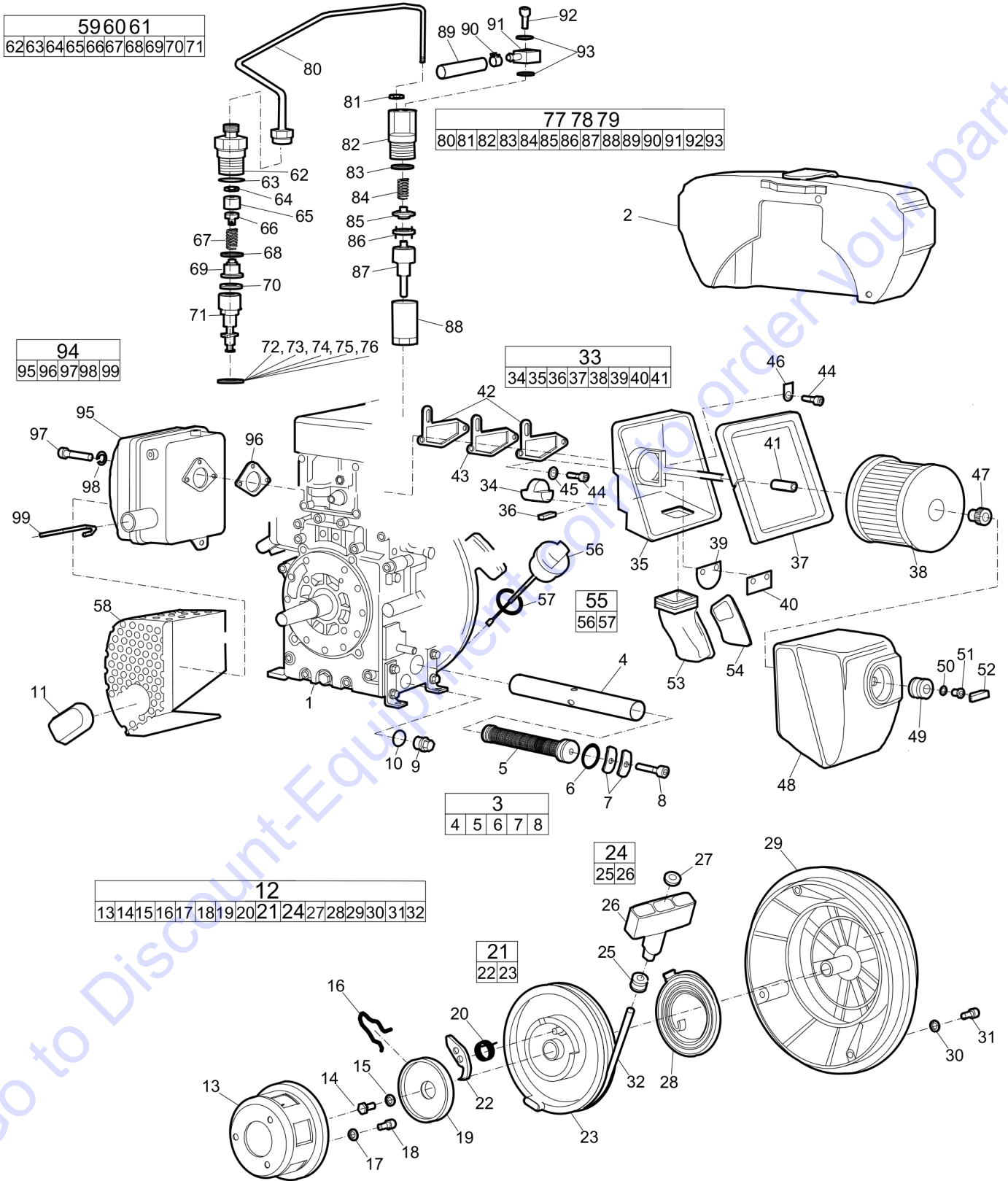
E | Valid from engine serial number 10124xxxxxxx to 10110xxxxxxx, Consist of item 62 to 71.

F | Valid from engine serial number 10127xxxxxxx, Consist of item 80 to 93.

G | Valid from engine serial number 10126xxxxxxx and 10125xxxxxxx, Consist of item 62 to 71.

H | Valid from engine serial number 10124xxxxxxx to 10110xxxxxxx, Consist of item 62 to 71.

Spare parts list Engine, Hatz 1B30 manual start



Refer to Parts Online for the most up to date information. The printed information might be outdated.

Wed Jan 13 06:14:04 MST 2016

| Item | Part No. | Name | Qty | L |
|------|------------|--------------------------|-----|---|
| 1 | 4700377894 | Diesel engine, manual | 1 | A |
| 2 | - | Fuel tank | 1 | B |
| 3 | 4700937001 | Oil strainer, cpl | 1 | |
| 4 | -- | Tube | 1 | |
| 5 | -- | Oil strainer | 1 | |
| 6 | 3382100143 | O-ring | 1 | |
| 7 | 3382100144 | Washer | 2 | |
| 8 | -- | Screw, M6 x 16 mm | 1 | |
| 9 | 4700937002 | Plug | 1 | |
| 10 | 4700748479 | Washer | 1 | |
| 11 | 4700937004 | Exhaust pipe | 1 | |
| 12 | 4700936982 | Recoil starter, cpl | 1 | |
| 13 | 4700936999 | Starter pulley | 1 | |
| 14 | -- | Screw, M6 x 18 mm | 1 | |
| 15 | -- | Washer, M6 | 1 | |
| 16 | 4700936991 | Spring | 1 | |
| 17 | -- | Spring washer | 1 | |
| 18 | -- | Screw | 1 | |
| 19 | 4700936992 | Friction plate | 1 | |
| 20 | 4700936996 | O-ring | 1 | |
| 21 | 4700936990 | Reel | 1 | |
| 22 | 4700936995 | Ratchet | 1 | |
| 23 | --- | Start pulley | 1 | |
| 24 | 4700936983 | Handle, complete | 1 | |
| 25 | 3382100145 | Sleeve | 1 | |
| 26 | --- | Handle | 1 | |
| 27 | 3382100146 | Washer, 5.3 mm, 0.21 in. | 1 | |
| 28 | 4700936985 | Spiral spring | 1 | |
| 29 | 4700936986 | Housing | 1 | |
| 30 | -- | Washer, M6 | 4 | |
| 30 | -- | Washer, M6 | 4 | |
| 31 | -- | Screw, M6 | 4 | |
| 32 | 4700936989 | Rope | 1 | |
| 33 | 3382100207 | Air filter housing | 1 | |
| 34 | 4700937024 | Vent nipple | 1 | |
| 35 | -- | Housing | 1 | |
| 36 | 3382100147 | Sealing strip | 1 | |

Refer to Parts Online for the most up to date information. The printed information might be outdated.

Wed Jan 13 06:14:04 MST 2016

| Item | Part No. | Name | Qty | L |
|------|------------|--------------------------|-----|---|
| 37 | 4700940829 | Sealing strip | 1 | |
| 38 | 4700937013 | Filter element | 1 | |
| 39 | -- | Valve plate | 1 | C |
| 40 | -- | Valve plate | 1 | D |
| 40 | -- | Valve plate | 1 | D |
| 41 | 3382100148 | Rubber sleeve | 1 | |
| 40 | -- | Valve plate | 1 | D |
| 42 | 4700937022 | Gasket | 2 | |
| 43 | 4700937023 | Gasket | 1 | |
| 44 | - | Screw | 3 | |
| 45 | - | Washer, M8 | 2 | |
| 46 | 4700937011 | Washer | 1 | |
| 47 | 4700937014 | Nut | 1 | |
| 48 | 4700937348 | Protecting cover | 1 | |
| 49 | 4700937016 | Rubber sleeve | 1 | |
| 50 | 3382100149 | Shim | 1 | |
| 51 | - | Rivet | 1 | |
| 52 | 4700937017 | Nut | 1 | |
| 53 | 4700937019 | Rubber hose | 1 | |
| 54 | - | Cover | 1 | |
| 55 | 4700937608 | Oil dipstick | 1 | |
| 56 | -- | Dipstick | 1 | |
| 57 | 4700945425 | O-ring | 1 | |
| 58 | 4700939220 | Protecting cover | 1 | |
| 59 | 3382100208 | Injection pump, complete | 1 | E |
| 60 | 3382100209 | Injection pump, complete | 1 | F |
| 61 | 4700937346 | Injection pump | 1 | G |
| 62 | -- | Pump part | 1 | |
| 63 | -- | Pump part | 1 | |
| 63 | -- | Pump part | 1 | |
| 64 | -- | Pump part | 1 | |
| 64 | -- | Pump part | 1 | |
| 65 | -- | Pump part | 1 | |
| 65 | -- | Pump part | 1 | |
| 66 | -- | Pump part | 1 | |
| 66 | -- | Pump part | 1 | |
| 67 | -- | Pump part | 1 | |

Refer to Parts Online for the most up to date information. The printed information might be outdated.

Wed Jan 13 06:14:04 MST 2016

| Item | Part No. | Name | Qty | L |
|------|------------|--------------------|-----|---|
| 67 | -- | Pump part | 1 | |
| 68 | -- | Pump part | 1 | |
| 68 | -- | Pump part | 1 | |
| 69 | -- | Pump part | 1 | |
| 69 | -- | Pump part | 1 | |
| 70 | -- | Pump part | 1 | |
| 70 | -- | Pump part | 1 | |
| 71 | -- | Pump part | 1 | |
| 71 | -- | Pump part | 1 | |
| 72 | 4700936977 | O-ring 0,2 mm | 1 | |
| 73 | 4700936978 | O-ring 0,3 mm | 1 | |
| 74 | 4700936979 | O-ring 0,4 mm | 1 | |
| 75 | 4700936980 | O-ring 0,5 mm | 1 | |
| 76 | 4700936981 | O-ring 0,6 mm | 1 | |
| 63 | -- | Pump part | 1 | |
| 64 | -- | Pump part | 1 | |
| 65 | -- | Pump part | 1 | |
| 66 | -- | Pump part | 1 | |
| 67 | -- | Pump part | 1 | |
| 68 | -- | Pump part | 1 | |
| 69 | -- | Pump part | 1 | |
| 70 | -- | Pump part | 1 | |
| 71 | -- | Pump part | 1 | |
| 77 | 3382100210 | Injector, complete | 1 | H |
| 78 | 3382100211 | Injector, complete | 1 | I |
| 79 | 4700939763 | Injector, complete | 1 | J |
| 80 | -- | Injector part | 1 | |
| 81 | -- | Injector part | 1 | |
| 81 | -- | Injector part | 1 | |
| 82 | -- | Injector part | 1 | |
| 82 | -- | Injector part | 1 | |
| 83 | -- | Injector part | 1 | |
| 83 | -- | Injector part | 1 | |
| 84 | -- | Injector part | 1 | |
| 84 | -- | Injector part | 1 | |
| 85 | -- | Injector part | 1 | |
| 85 | -- | Injector part | 1 | |

Refer to Parts Online for the most up to date information. The printed information might be outdated.

Wed Jan 13 06:14:04 MST 2016

| Item | Part No. | Name | Qty | L |
|------|------------|-------------------|-----|---|
| 86 | -- | Injector part | 1 | |
| 86 | -- | Injector part | 1 | |
| 87 | -- | Injector part | 1 | |
| 87 | -- | Injector part | 1 | |
| 88 | -- | Injector part | 1 | |
| 88 | -- | Injector part | 1 | |
| 89 | -- | Injector part | 1 | |
| 89 | -- | Injector part | 1 | |
| 90 | -- | Injector part | 1 | |
| 90 | -- | Injector part | 1 | |
| 91 | -- | Injector part | 1 | |
| 91 | -- | Injector part | 1 | |
| 92 | -- | Injector part | 1 | |
| 92 | -- | Injector part | 1 | |
| 93 | -- | Injector part | 1 | |
| 93 | -- | Injector part | 1 | |
| 81 | -- | Injector part | 1 | |
| 82 | -- | Injector part | 1 | |
| 83 | -- | Injector part | 1 | |
| 84 | -- | Injector part | 1 | |
| 85 | -- | Injector part | 1 | |
| 86 | -- | Injector part | 1 | |
| 87 | -- | Injector part | 1 | |
| 88 | -- | Injector part | 1 | |
| 89 | -- | Injector part | 1 | |
| 90 | -- | Injector part | 1 | |
| 91 | -- | Injector part | 1 | |
| 92 | -- | Injector part | 1 | |
| 93 | -- | Injector part | 1 | |
| 94 | 4700939638 | Muffler | 1 | |
| 95 | -- | Silencer | 1 | |
| 96 | 4700937354 | Gasket | 1 | |
| 97 | -- | Screw, M8 x 25 mm | 1 | |
| 98 | -- | Washer, M8 | 1 | |
| 99 | 3382100151 | Hook | 1 | |

Comments for Page: Engine, Hatz 1B30 manual start

(LOCAL REMARKS

A | Consist of item 2 to 112.

B | See section "Fuel tank"

C | Black

D | Red

E | Valid from engine serial number 10127xxxxxxx

Consist of item 62 to 71.

F | Valid from engine serial number 10126xxxxxxx and 10125xxxxxxx

Consist of item 62 to 71.

G | Valid from engine serial number 10124xxxxxxx to 10110xxxxxxx

Consist of item 62 to 71.

H | Valid from engine serial number 10127xxxxxxx

Consist of item 80 to 93.

I | Valid from engine serial number 10126xxxxxxx and 10125xxxxxxx

Consist of item 62 to 71.

J | Valid from engine serial number 10124xxxxxxx to 10110xxxxxxx

Consist of item 62 to 71.

Go to Discount-Equipment.com to order your parts

PARTS FINDER

**Search Website
by Part Number**



**Search Manual
Library For Parts
Manual & Lookup Part
Numbers – Purchase
or Request Quote**

Search Manuals

Enter your information to help us find the right parts manual for your machine.

* Brand:

* Model:

* Serial:

* Part Number:

SEARCH

**Can't Find Part or
Manual? Request Help
by Manufacturer,
Model & Description**

Parts Order Form

Please fill in the following information to help us find the right part for your machine.

| | |
|---------------|----------------------|
| Manufacturer: | <input type="text"/> |
| Model: | <input type="text"/> |
| Description: | <input type="text"/> |
| Part Number: | <input type="text"/> |
| Quantity: | <input type="text"/> |
| Notes: | <input type="text"/> |

Submit

Discount-Equipment.com is your online resource for quality parts & equipment.

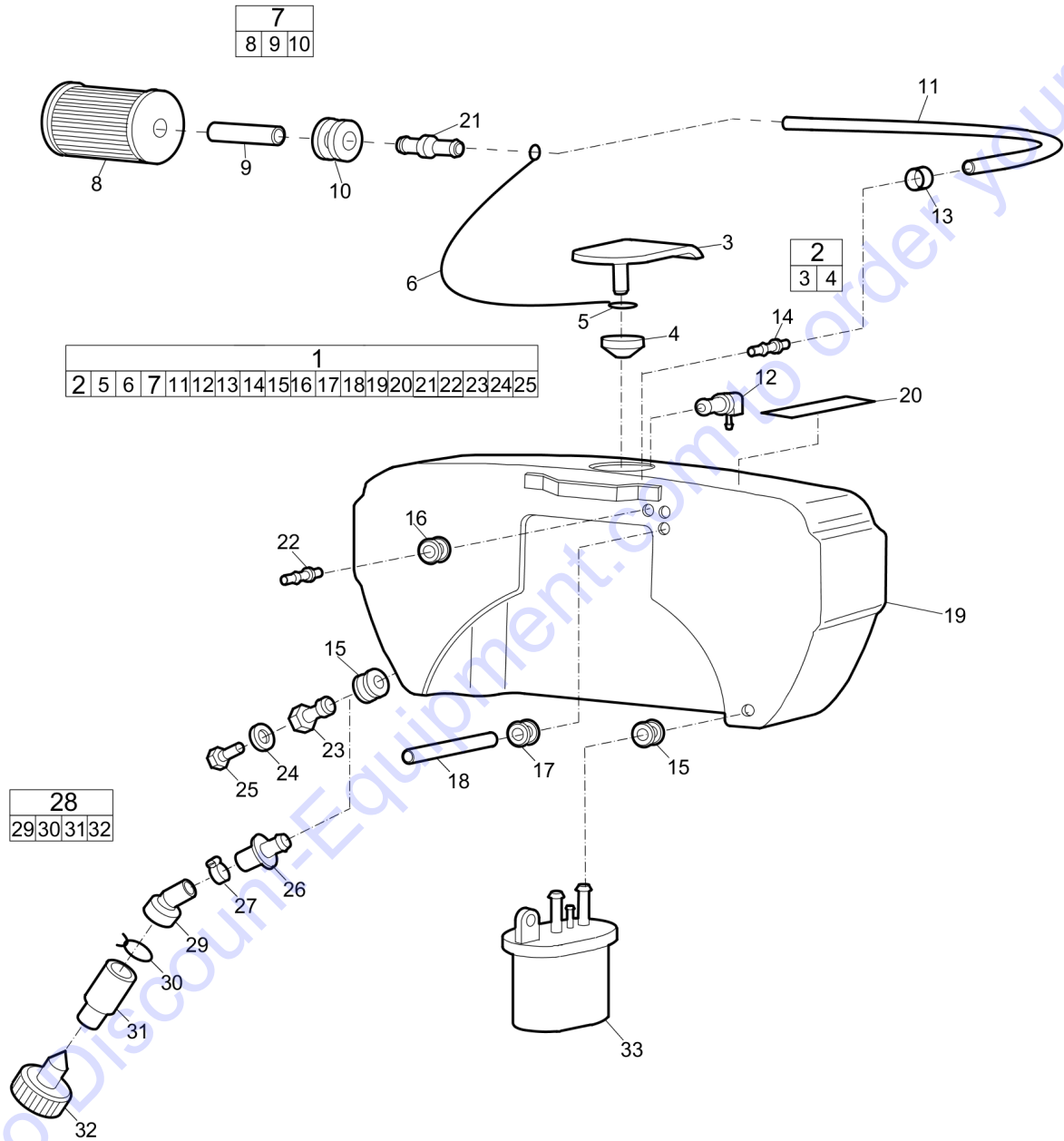
Florida: **561-964-4949** Outside Florida TOLL FREE: **877-690-3101**

Need parts?

Click on this link: <http://www.discount-equipment.com/category/5443-parts/> and choose one of the options to help get the right parts and equipment you are looking for. Please have the machine model and serial number available in order to help us get you the correct parts. If you don't find the part on the website or on one of the online manuals, please fill out the request form and one of our experienced staff members will get back to you with a quote for the right part that your machine needs.

We sell worldwide for the brands: Genie, Terex, JLG, MultiQuip, Mikasa, Essick, Whiteman, Mayco, Toro Stone, Diamond Products, Generac Magnum, Airman, Haulotte, Barreto, Power Blanket, Nifty Lift, Atlas Copco, Chicago Pneumatic, Allmand, Miller Curber, Skyjack, Lull, Skytrak, Tsurumi, Husquvarna Target, Stow, Wacker, Sakai, Mi-T-M, Sullair, Basic, Dynapac, MBW, Weber, Bartell, Bennar Newman, Haulotte, Ditch Runner, Menegotti, Morrison, Contec, Buddy, Crown, Edco, Wyco, Bomag, Laymor, EZ Trench, Bil-Jax, F.S. Curtis, Gehl Pavers, Heli, Honda, ICS/PowerGrit, IHI, Partner, Imer, Clipper, MMD, Koshin, Rice, CH&E, General Equipment, Amida, Coleman, NAC, Gradall, Square Shooter, Kent, Stanley, Tamco, Toku, Hatz, Kohler, Robin, Wisconsin, Northrock, Oztec, Toker TK, Rol-Air, APT, Wylie, Ingersoll Rand / Doosan, Innovatech, Con X, Ammann, Mecalac, Makinex, Smith Surface Prep, Small Line, Wanco, Yanmar

Spare parts list Fuel tank, Hatz 1B30



| Item | Part No. | Name | Qty | L |
|------|------------|----------------------|-----|---|
| 1 | 4700938922 | Fuel tank, complete | 1 | |
| 2 | 4700936947 | Fuel cap | 1 | |
| 3 | --- | Cap | 1 | |
| 4 | --- | Gasket | 1 | |
| 5 | 3382100162 | Circlip | 1 | |
| 6 | 3382100161 | Rope | 1 | |
| 7 | 4700939618 | Fuel filter | 1 | |
| 8 | --- | Filter element | 1 | |
| 9 | --- | Pipe | 1 | |
| 10 | 4700936962 | Gasket | 1 | |
| 11 | 3382100212 | Fuel hose | 1 | |
| 12 | 4700936952 | Ventilation valve | 1 | |
| 13 | 4700936972 | Hose clamp | 1 | |
| 14 | 4700936954 | Adapter | 1 | |
| 15 | 4700936955 | Gasket | 2 | |
| 16 | 4700938119 | Rubber sleeve | 1 | |
| 17 | 4700936962 | Gasket | 1 | |
| 18 | 4700936963 | Pipe | 1 | |
| 19 | -- | Fuel tank | 1 | |
| 20 | -- | Label | 1 | |
| 21 | 4700945226 | Nipple | 1 | |
| 22 | 4700945441 | Nipple | 1 | |
| 23 | 3382100213 | Nipple | 1 | |
| 24 | 4700238387 | Joint | 1 | |
| 25 | 3382100159 | Ventilating screw | 1 | |
| 26 | 3382100158 | Nipple | 1 | |
| 27 | 3382100157 | Clamp | 1 | |
| 28 | 4700938339 | Water separator, cpl | 1 | |
| 29 | -- | Hose | 1 | |
| 30 | --- | Hose clip | 1 | |
| 31 | -- | Water separator | 1 | |
| 32 | -- | Drain screw | 1 | |
| 33 | 4700940494 | Fuel filter | 1 | A |

Comments for Page: Fuel tank, Hatz 1B30

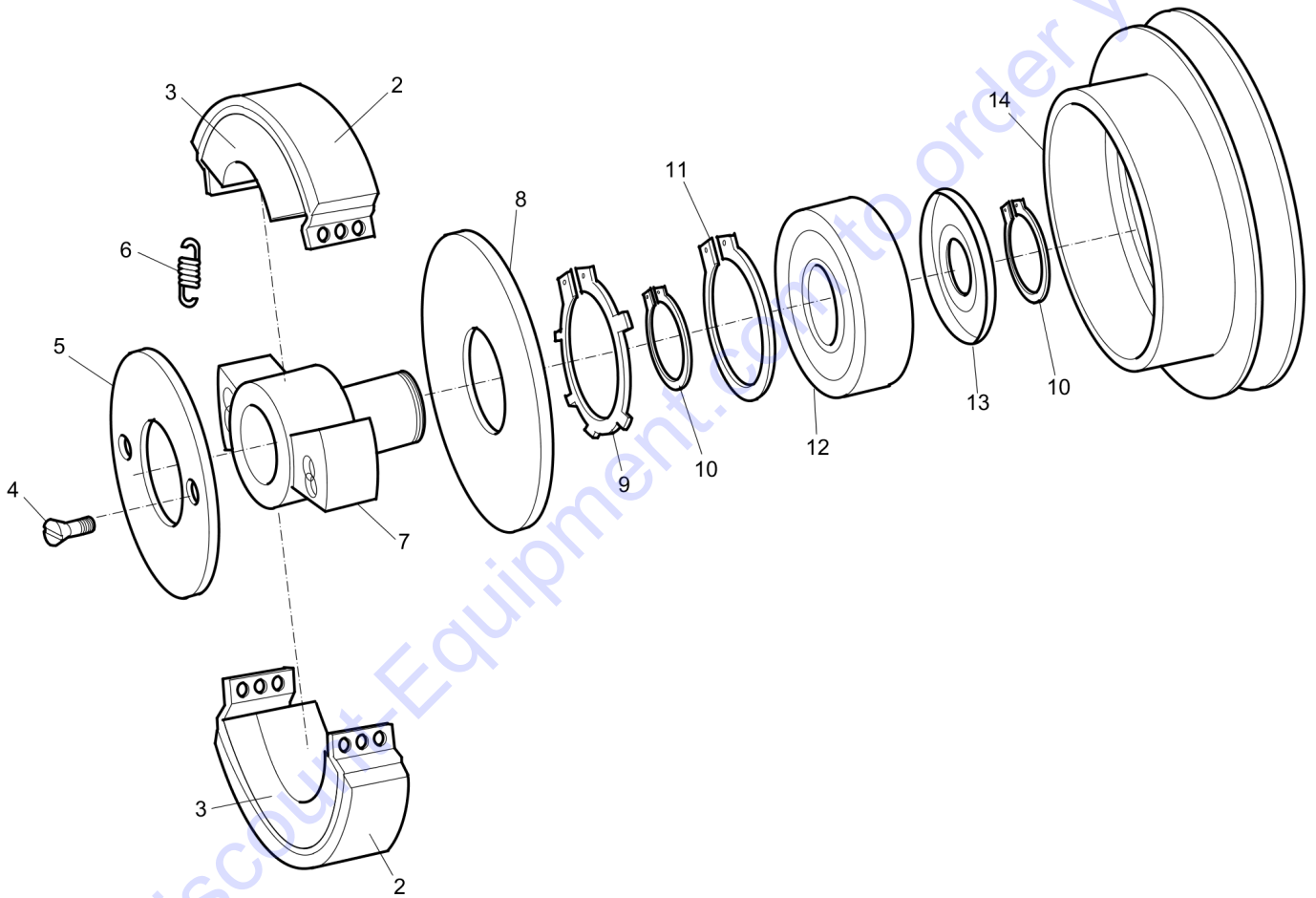
(L)OCAL REMARKS

A | Not for ordinary maintenance.

Go to Discount-Equipment.com to order your parts

Spare parts list Centrifugal clutch, Honda

| | | | | | | | | | | | | | |
|---|---|---|---|---|---|---|---|----|----|----|----|----|--|
| 1 | | | | | | | | | | | | | |
| 2 | 3 | 4 | 5 | 6 | 7 | 8 | 9 | 10 | 11 | 12 | 13 | 14 | |



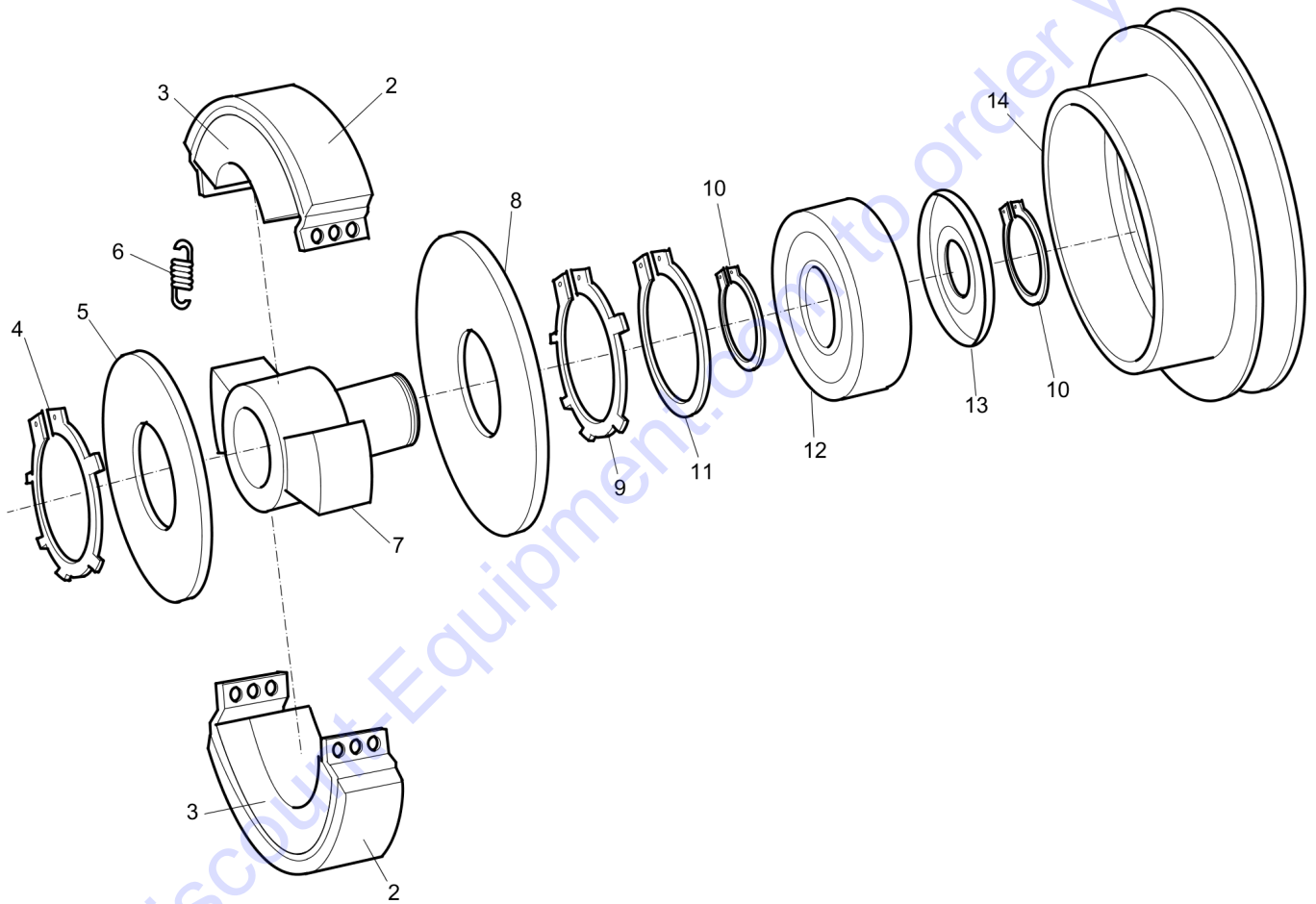
Refer to Parts Online for the most up to date information. The printed information might be outdated.

Wed Jan 13 06:14:12 MST 2016

| Item | Part No. | Name | Qty | L |
|------|------------|----------------|-----|---|
| 1 | 4700377988 | Clutch, cpl | 1 | |
| 2 | 4700945260 | Clutch lining | 2 | |
| 3 | 3382010185 | Clutch weight | 2 | |
| 4 | 4700535002 | Screw | 2 | |
| 5 | 3382010184 | Cover | 1 | |
| 6 | 4700937527 | Spring | 4 | |
| 7 | 4700945111 | Hub | 1 | |
| 8 | 4700239857 | Cover | 1 | |
| 9 | 4700239539 | Retaining ring | 1 | |
| 10 | 4700938726 | Snap ring | 2 | |
| 11 | 4700938725 | Retaining ring | 1 | |
| 12 | 4700938724 | Ball bearing | 1 | |
| 13 | 4700134036 | Nilos ring | 1 | |
| 14 | 4700945110 | V-belt pulley | 1 | |

Spare parts list Centrifugal clutch, Hatz

| | | | | | | | | | | | | | |
|---|---|---|---|---|---|---|---|----|----|----|----|----|--|
| 1 | | | | | | | | | | | | | |
| 2 | 3 | 4 | 5 | 6 | 7 | 8 | 9 | 10 | 11 | 12 | 13 | 14 | |

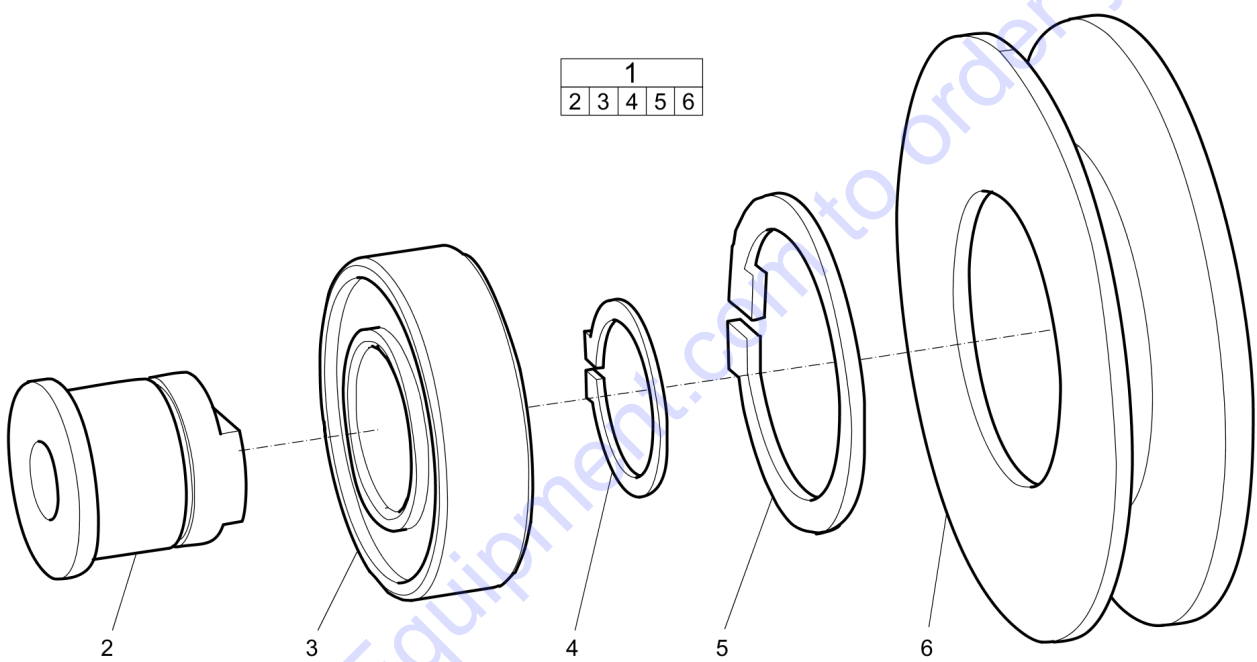


Refer to Parts Online for the most up to date information. The printed information might be outdated.

Wed Jan 13 06:14:14 MST 2016

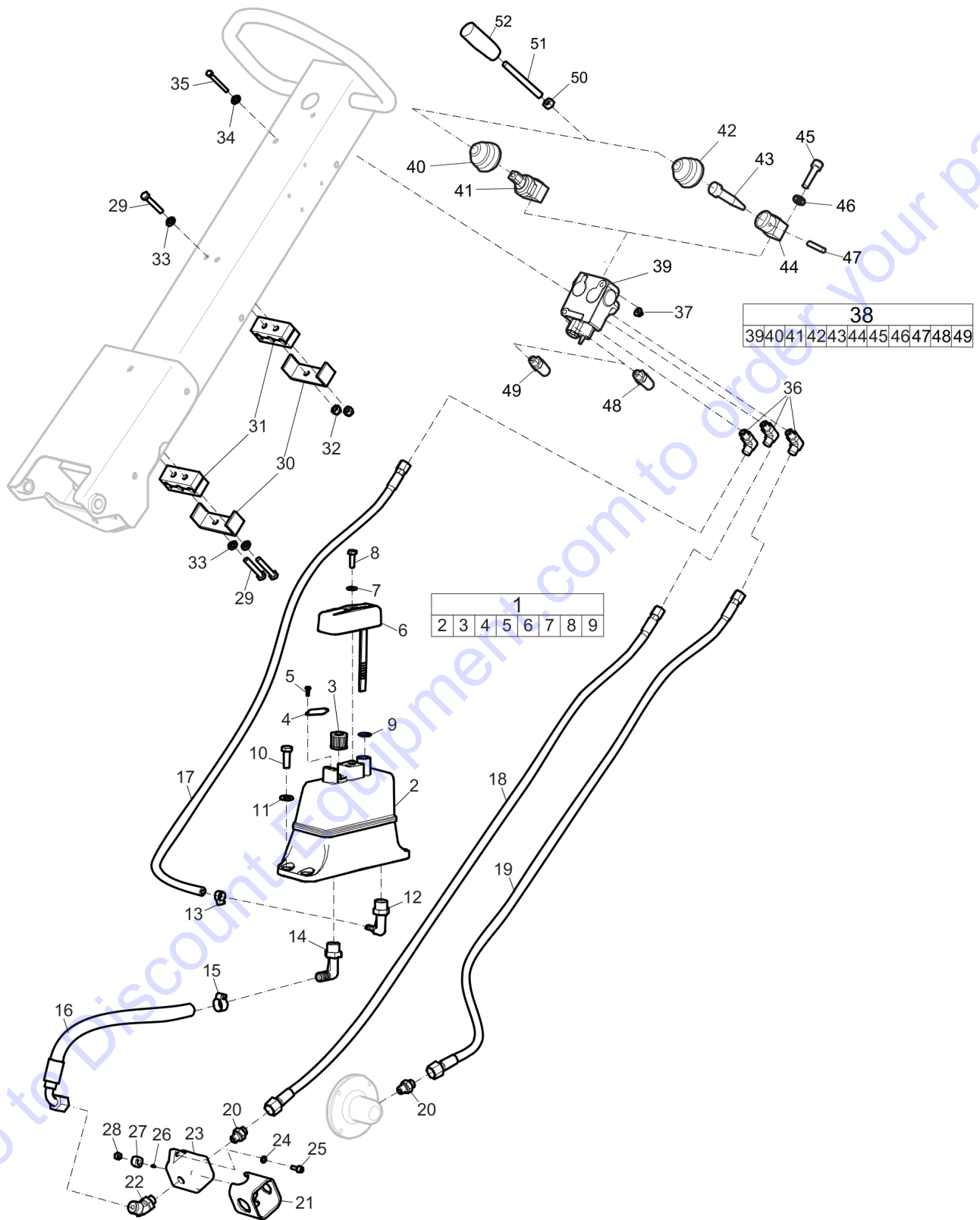
| Item | Part No. | Name | Qty | L |
|------|------------|----------------|-----|---|
| 1 | 4700378033 | Clutch, cpl | 1 | |
| 2 | 4700945612 | Clutch lining | 2 | |
| 3 | 3382010185 | Clutch weight | 2 | |
| 4 | 4700239734 | Retaining ring | 1 | |
| 5 | 4700239768 | Cover | 1 | |
| 6 | 4700937527 | Spring | 4 | |
| 7 | 4700937031 | Hub | 1 | |
| 8 | 4700239857 | Cover | 1 | |
| 9 | 4700239539 | Retaining ring | 1 | |
| 10 | 4700938726 | Snap ring | 2 | |
| 11 | 4700938725 | Retaining ring | 1 | |
| 12 | 4700938724 | Ball bearing | 1 | |
| 13 | 4700134036 | Nilos ring | 1 | |
| 14 | 4700937029 | V-belt pulley | 1 | |

Spare parts list Belt tightener



| Item | Part No. | Name | Qty | L |
|------|------------|----------------------------------------|-----|---|
| 1 | 4700280835 | Idler, cpl | 1 | |
| 2 | 4700280837 | Shaft | 1 | |
| 3 | 4700111114 | Ball bearing | 1 | |
| 4 | 4700160009 | O-ring, 26.2 x 3.0 mm, 1.03 x 0.12 in. | 1 | |
| 5 | 4700151017 | Snap ring | 1 | |
| 6 | 4700280836 | V-belt pulley | 1 | |

Spare parts list Hydraulic system



Refer to Parts Online for the most up to date information. The printed information might be outdated.

Wed Jan 13 06:14:17 MST 2016

| Item | Part No. | Name | Qty | L |
|------|------------|----------------------------------------------------------|-----|---|
| 1 | 4700376676 | Hydraulic oil tank, cpl | 1 | |
| 2 | -- | Tank | 1 | |
| 3 | 4700381566 | Air filter | 1 | |
| 4 | 4700381563 | Holder | 1 | |
| 5 | -- | Screw, K50 x 12 mm Type KX-PT | 2 | |
| 6 | 4700381385 | Cover with oil dipstick | 1 | |
| 7 | 4700904229 | Steel plain washer 8.4X16X1.5 | 1 | |
| 8 | 4700500021 | Hex. screw | 1 | |
| 9 | 4700160110 | O-ring | 1 | |
| 10 | - | Screw, M10 x 30 mm 8.8 A3K | 4 | |
| 11 | - | Washer, 10.5 x 22 x 2 mm, 0.41 x 0.87 x 0.08 in. 300 HV | 4 | |
| 12 | 4700376674 | Adapter | 1 | |
| 13 | 4700313108 | Hose clamp | 1 | |
| 14 | 4700376675 | Adapter | 1 | |
| 15 | 4700313003 | Hose clamp | 1 | |
| 16 | 4700379235 | Hydraulic hose | 1 | |
| 17 | 4700379659 | Hydraulic hose | 1 | A |
| 18 | 4700483899 | Hydraulic hose | 1 | B |
| 19 | 4700483900 | Hydraulic hose | 1 | C |
| 20 | 4700791537 | Straight connector | 2 | |
| 21 | 4700280540 | Cover | 1 | |
| 22 | 4700792253 | Elbow | 1 | |
| 23 | 4700383562 | Hydraulic pump | 1 | |
| 24 | - | Washer, 6.4 x 12 x 1.5 mm, 0.25 x 0.47 x 0.06 in. 300 HV | 1 | |
| 25 | - | Screw, M6 x 20 mm 8.8 A2K | 2 | |
| 26 | - | Key | 1 | D |
| 27 | 4700928894 | Sleeve | 1 | |
| 28 | - | Nut | 1 | E |
| 29 | 4700500025 | Screw, M8 x 50 mm 8.8 A2K | 4 | |
| 30 | 3382010182 | Bracket | 2 | |
| 31 | 4700280534 | Rubber block | 2 | |
| 32 | 4700586003 | Nut, M8 | 2 | |
| 33 | 4700904229 | Steel plain washer 8.4X16X1.5 | 4 | |
| 34 | - | Washer, 6.4 x 12 x 1.5 mm, 0.25 x 0.47 x 0.06 in. 300 HV | 2 | |
| 35 | - | Screw, M6 x 55 mm 8.8 A2K | 2 | |
| 36 | 4700791397 | Elbow 90, O-ring | 3 | F |
| 37 | - | Nut, M6 x 1 mm A2K | 1 | |

Refer to Parts Online for the most up to date information. The printed information might be outdated.

Wed Jan 13 06:14:17 MST 2016

| Item | Part No. | Name | Qty | L |
|------|------------|------------------|-----|---|
| 38 | 4700282993 | Valve, complete | 1 | |
| 39 | - | Valve | | |
| 40 | 4700936595 | Rubber cover | | G |
| 41 | 4700937924 | Lever housing | | G |
| 42 | 3382100271 | Rubber cover | | H |
| 43 | 3382100270 | Lever | | H |
| 44 | 3382100268 | Housing | | H |
| 45 | 3382100272 | Screw | 2 | H |
| 46 | 3382100273 | Washer | 4 | H |
| 47 | 3382100269 | Pin | 1 | H |
| 48 | 4700938163 | Measuring nipple | 1 | G |
| 49 | 3382100288 | Measuring nipple | | H |
| 50 | | Nut, M8 A2K | 1 | |
| 51 | 4700390450 | Rod | 1 | |
| 52 | 4700903821 | Grab handle | 1 | |

Comments for Page: Hydraulic system

(L)OCAL REMARKS

A | Connected to port "T"

B | Connected to port "P"

C | Connected to port "A"

D | Supplied with hydraulic pump

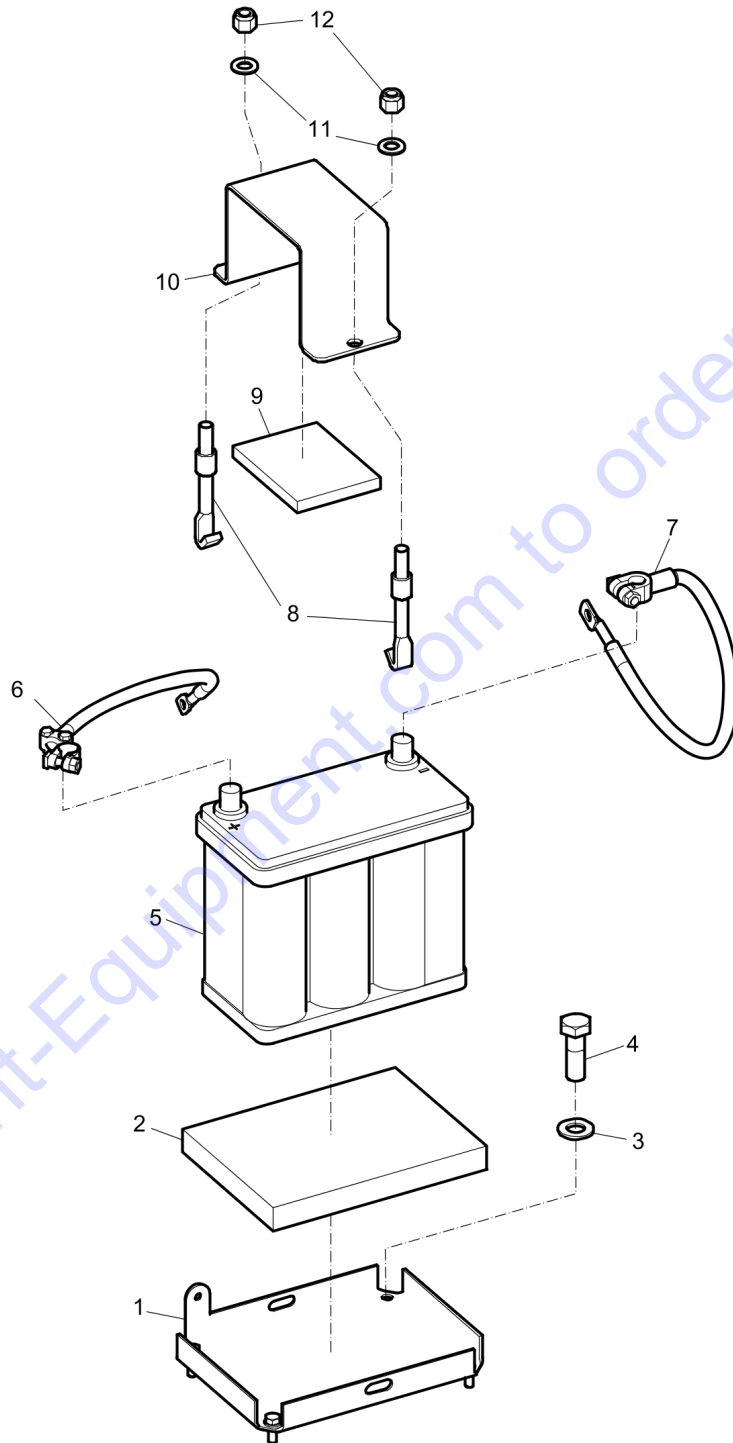
E | Supplied with hydraulic pump

F | 90°

G | Old version

H | New version, for valve, complete marked with "Caproni".

Spare parts list Battery installation



Refer to Parts Online for the most up to date information. The printed information might be outdated.

Wed Jan 13 06:14:24 MST 2016

| Item | Part No. | Name | Qty | L |
|------|------------|--------------------------------------------------------|-----|---|
| 1 | 4700379243 | Plate | 1 | |
| 2 | 4700379061 | Insulation | 1 | |
| 3 | - | Washer, 8.4 x16 x1.5 mm, 0.33 x 0.63 x 0.06 in. 300 HV | 4 | |
| 4 | - | Screw, M8 x 25 mm 8.8 A2K | 4 | |
| 5 | 4700378719 | Battery | 1 | |
| 6 | 4700792234 | Battery cable + | 1 | A |
| 7 | 4700791752 | Battery cable - | 1 | B |
| 8 | 4700393849 | Battery screw | 2 | |
| 9 | 4700379062 | Insulation | 1 | |
| 10 | 4700393848 | Holder | 1 | |
| 11 | - | Washer, 13 x 24 x 2 mm, 0.51 x 0.98 x 0.08 in. 300 HV | 2 | |
| 12 | - | Screw, M12X20H 8.8 A3K | 2 | |

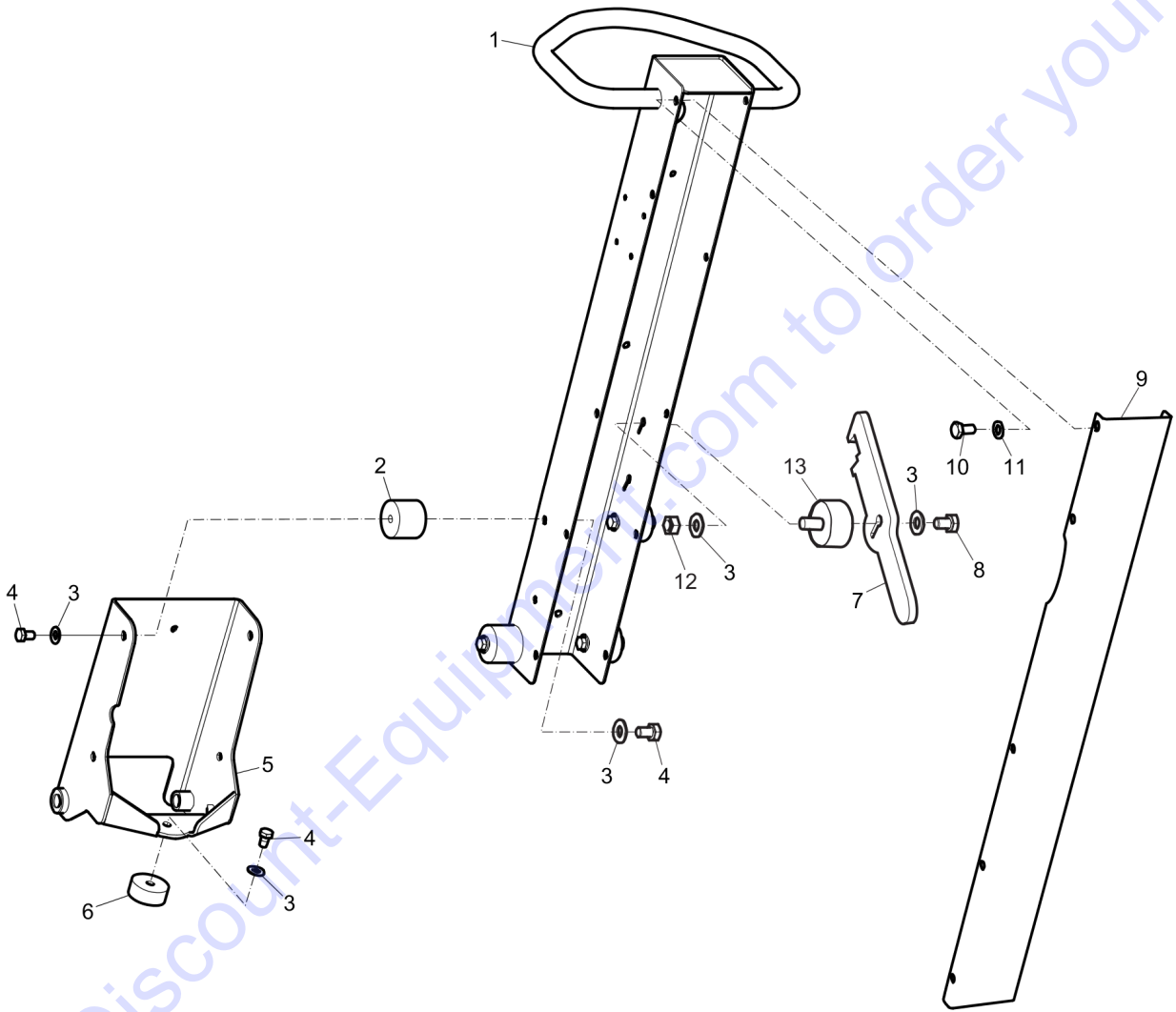
Comments for Page: Battery installation

(L)OCAL REMARKS

A | Connected to positive terminal of battery

B | Connected to negative terminal of battery

Spare parts list Handle



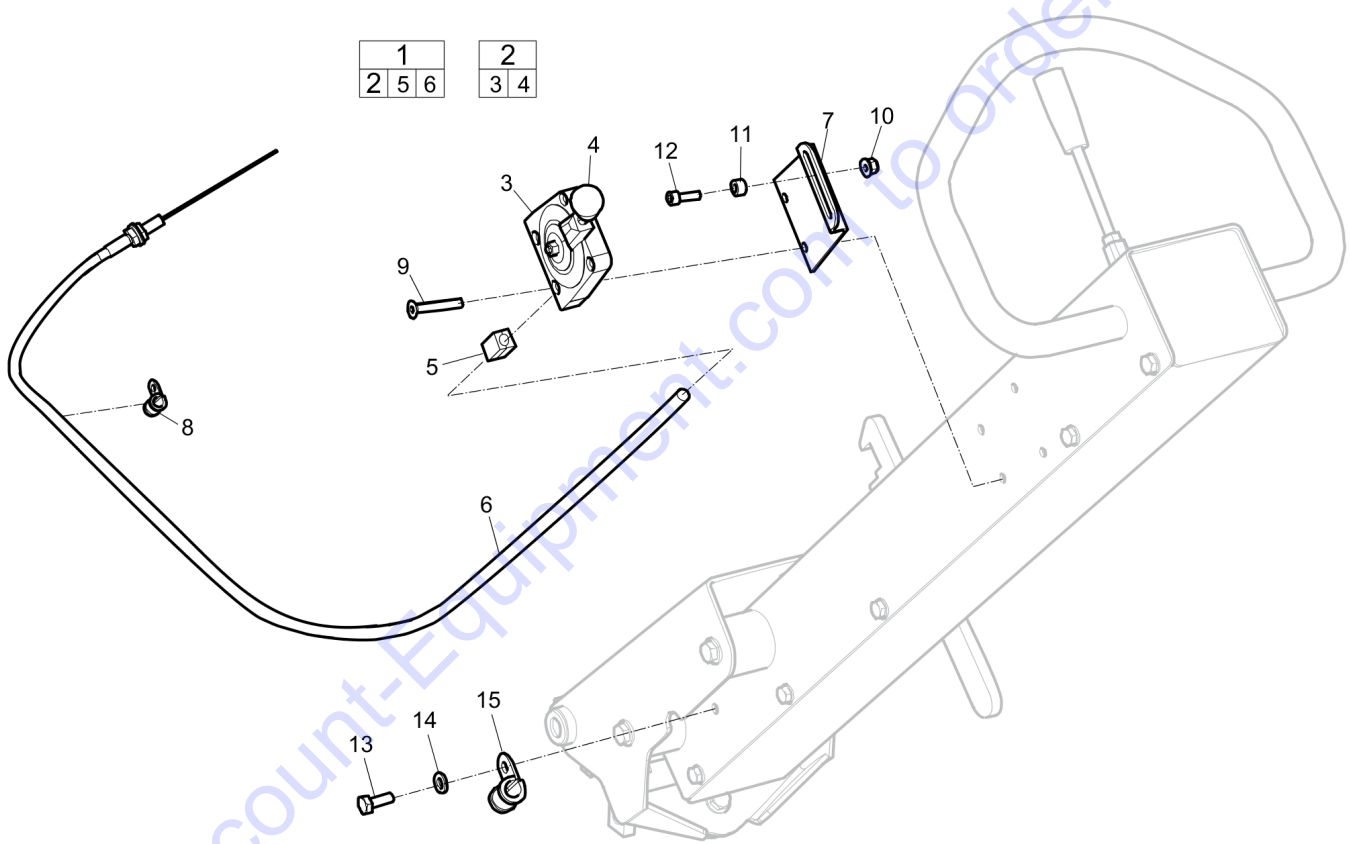
Refer to Parts Online for the most up to date information. The printed information might be outdated.

Wed Jan 13 06:14:34 MST 2016

| Item | Part No. | Name | Qty | L |
|------|------------|----------------------------------------------------------------------|-----|---|
| 1 | 3382010170 | Handle | 1 | |
| 2 | 3382010183 | Shock absorber | 4 | |
| 3 | - | Steel plain washer, 10.5 x 22 x 2 mm, 0.41 x 0.87 x 0.08 in. 300 HV | 11 | |
| 4 | - | Screw, M10 x 16 mm 8.8 A3K | 9 | |
| 5 | 3382010171 | Bracket | 1 | |
| 6 | 4700791373 | Shock absorber | 1 | B |
| 7 | 4700379004 | Hook | 1 | |
| 8 | - | Screw, M10 x 20 mm 8.8 A3K | 1 | |
| 9 | 3382010187 | Cover | 1 | |
| 10 | - | Screw, M8 x 16 mm 8.8 A2K | 10 | |
| 11 | - | Steel plain washer, 8.4 x 16 x 1.5 mm, 0.33 x 0.63 x 0.06 in. 300 HV | 10 | |
| 12 | - | Nut, M10 A3K | 1 | |
| 13 | 4700385387 | Shock absorber | 1 | B |

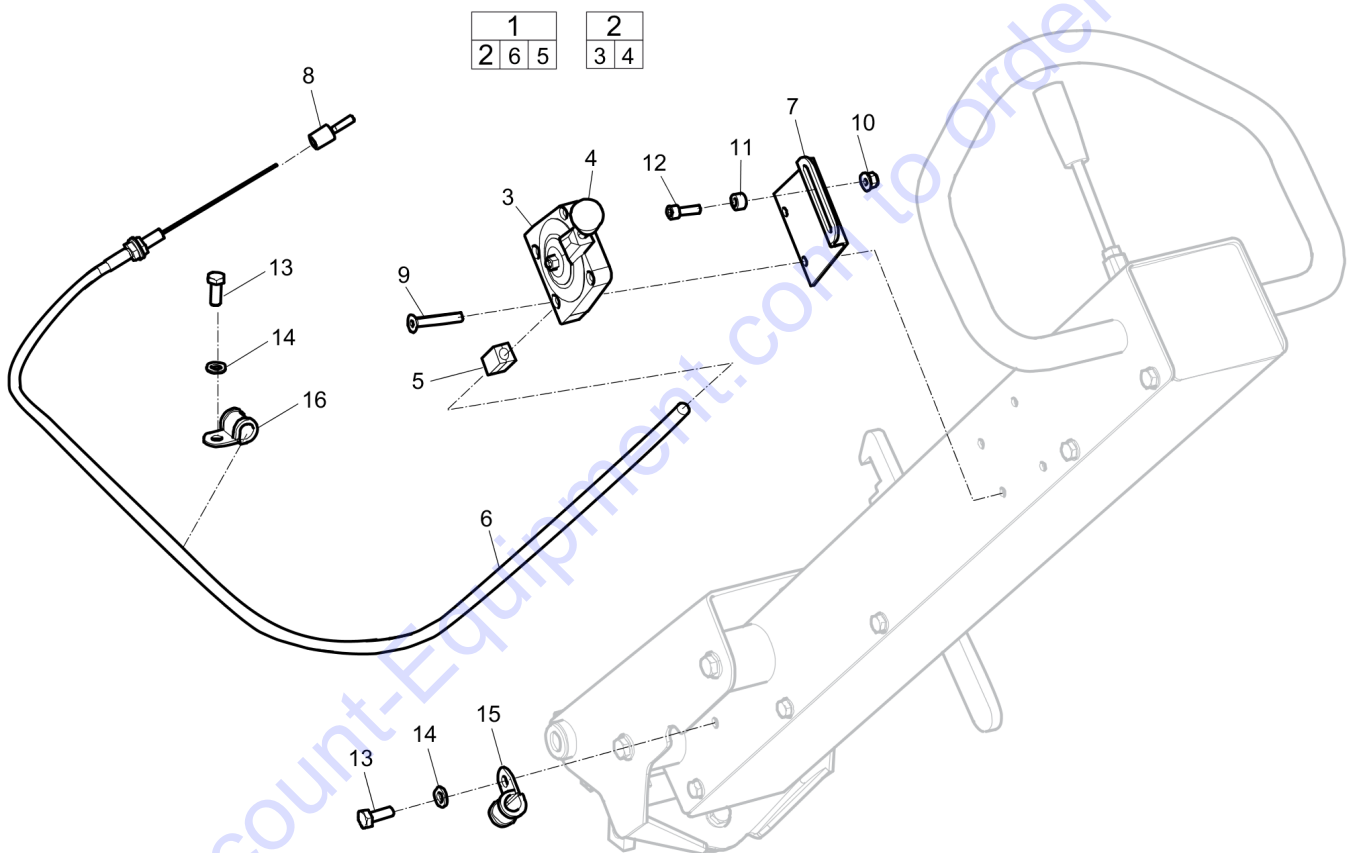
Spare parts list Throttle control, Honda

| | |
|-------|-----|
| 1 | 2 |
| 2 5 6 | 3 4 |



| Item | Part No. | Name | Qty | L |
|------|------------|-----------------------------|-----|---|
| 1 | 4700286452 | Throttle control, cpl | 1 | |
| 2 | 4700455019 | Throttle handle | 1 | |
| 3 | --- | Throttle | 1 | |
| 4 | 4700945655 | Knob | 1 | |
| 5 | 4700238443 | Square nipple | 1 | |
| 6 | 4700286445 | Throttle cable | 1 | |
| 7 | 4700284365 | Bracket | 1 | |
| 8 | - | Throttle | 1 | |
| 9 | - | Screw, M5 x 30 mm A2-70 | 4 | |
| 10 | - | Nut, M6 x 1 mm A2K | 1 | |
| 11 | 4700394417 | Spacer | 1 | |
| 12 | - | Screw, M6 x 20 mm 8.8 A2K | 1 | |
| 13 | - | Screw, M6 x 16 mm 8.8 A2K | 1 | |
| 14 | 4700904228 | Washer 6.4x12x1.5 mm 300 HV | 1 | |
| 15 | 4700791341 | Pipe clamp | 1 | |

Spare parts list Throttle control, Hatz, Non EPA version

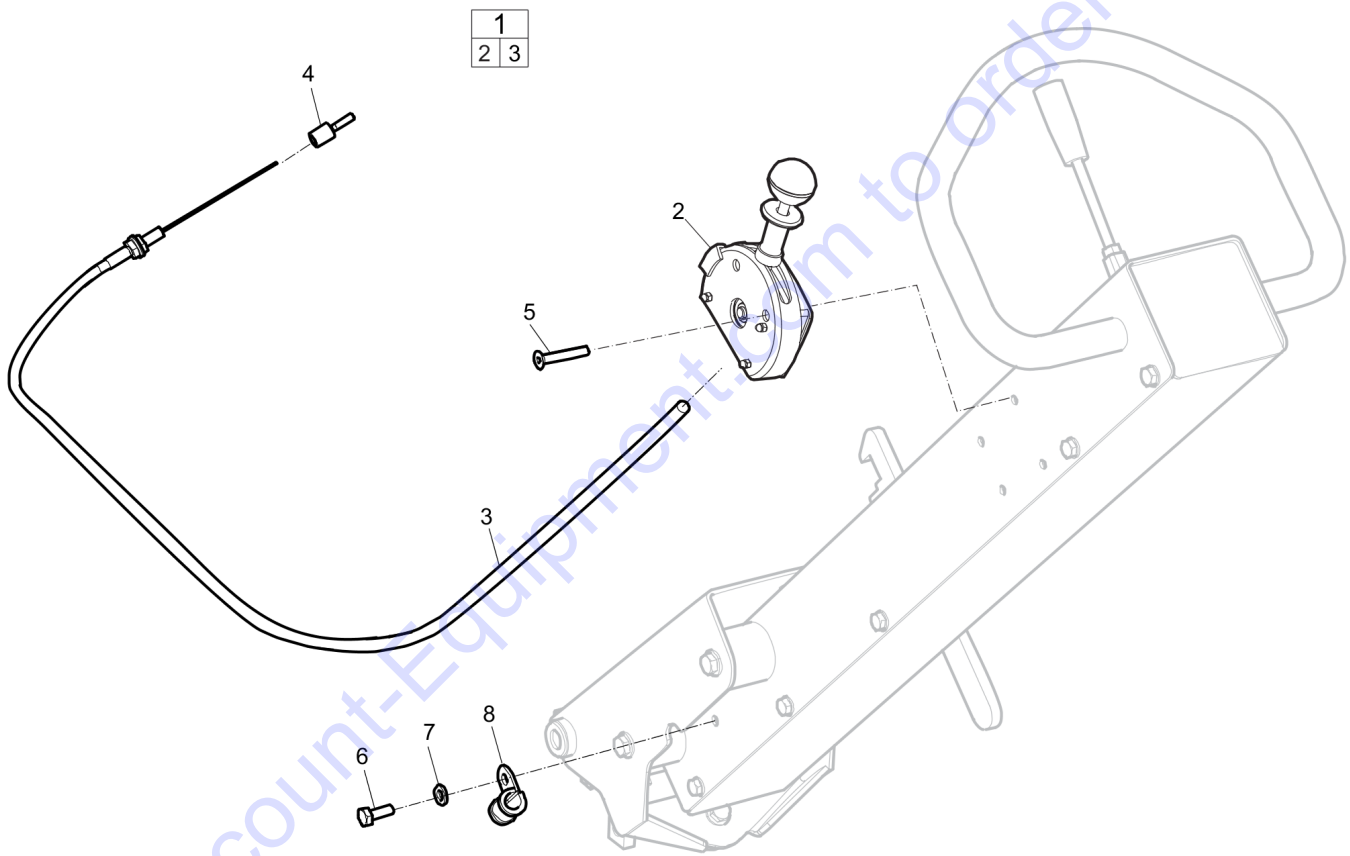


Refer to Parts Online for the most up to date information. The printed information might be outdated.

Wed Jan 13 06:14:36 MST 2016

| Item | Part No. | Name | Qty | L |
|------|------------|----------------------------------------------------------|-----|---|
| 1 | 4700379300 | Throttle control, cpl | 1 | |
| 2 | 4700455019 | Throttle handle | 1 | |
| 3 | --- | Throttle part | 1 | |
| 4 | 4700945655 | Knob | 1 | |
| 5 | 4700238443 | Square nipple | 1 | |
| 6 | 4700379299 | Throttle cable | 1 | |
| 7 | 4700284365 | Bracket | 1 | |
| 8 | 4700284107 | Nipple | 1 | |
| 9 | - | Screw, M5 x 30 mm A2-70 | 4 | |
| 10 | - | Nut, M6 x 1 mm A2K | 1 | |
| 11 | 4700394417 | Spacer | 1 | |
| 12 | - | Screw, M6 x 20 mm 8.8 A2K | 1 | |
| 13 | - | Screw, M6 x 16 mm 8.8 A2K | 2 | |
| 14 | - | Washer, 6.4 x 12 x 1.5 mm, 0.25 x 0.47 x 0.06 in. 300 HV | 2 | |
| 15 | 4700791341 | Pipe clamp | 1 | |
| 16 | 4700921031 | Clamp | 1 | |

Spare parts list Throttle control, Hatz, EPA version

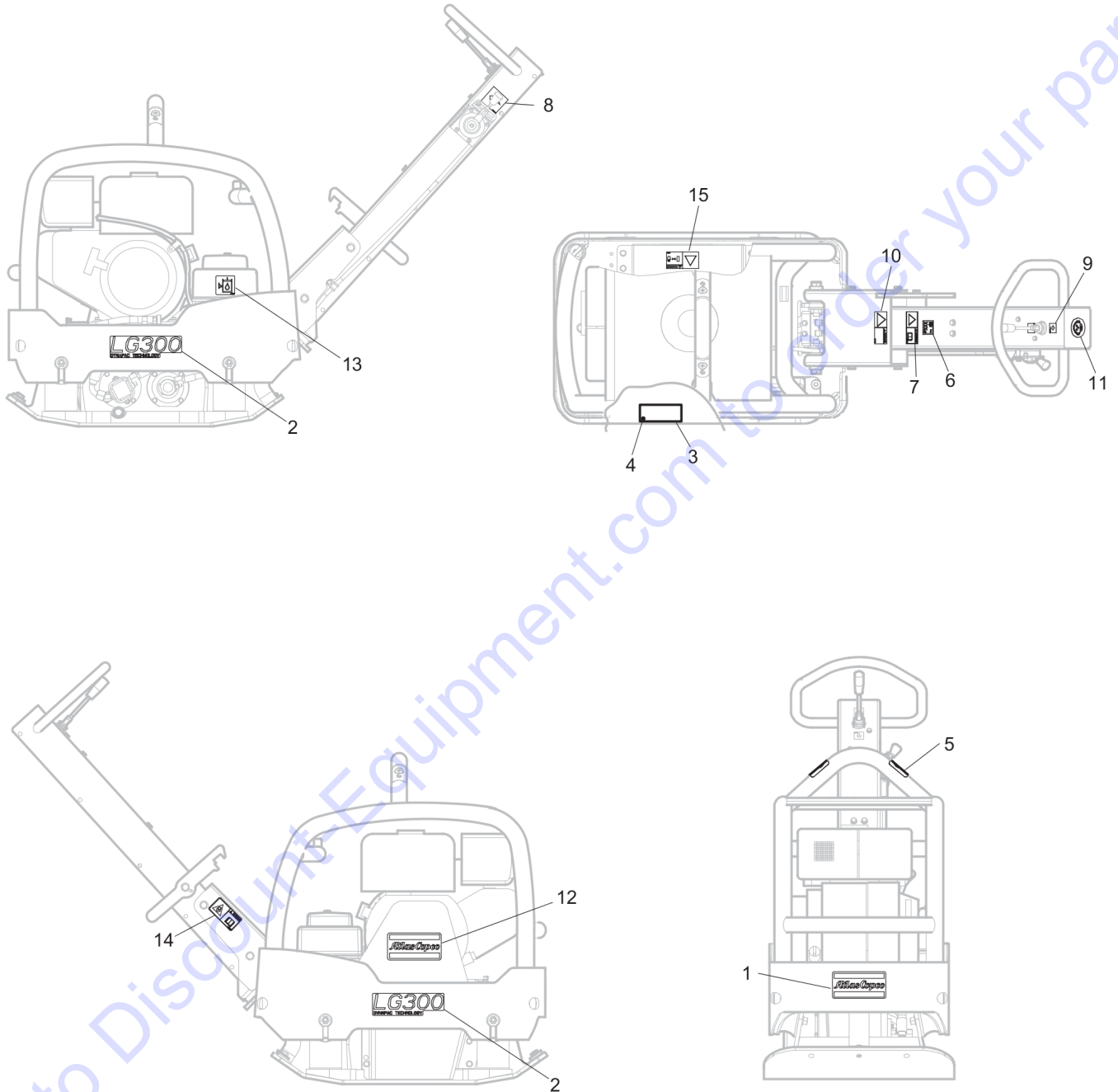


| Item | Part No. | Name | Qty | L |
|------|------------|---------------------------------|-----|---|
| 1 | 3382012116 | Throttle control, complete | 1 | A |
| 2 | - | Handle | 1 | |
| 3 | 3382100298 | Throttle cable | 1 | |
| 4 | 4700284107 | Nipple | 1 | |
| 5 | - | Screw | 4 | |
| 6 | - | Screw | 1 | |
| 7 | - | Washer M8 ISO 7089, 13/25,4x3,4 | 1 | |
| 8 | 4700791341 | Pipe clamp | 1 | |

Comments for Page: Throttle control, Hatz, EPA version

A | Hatz, EPA version with three fixed positions.

Spare parts list Labels, Honda

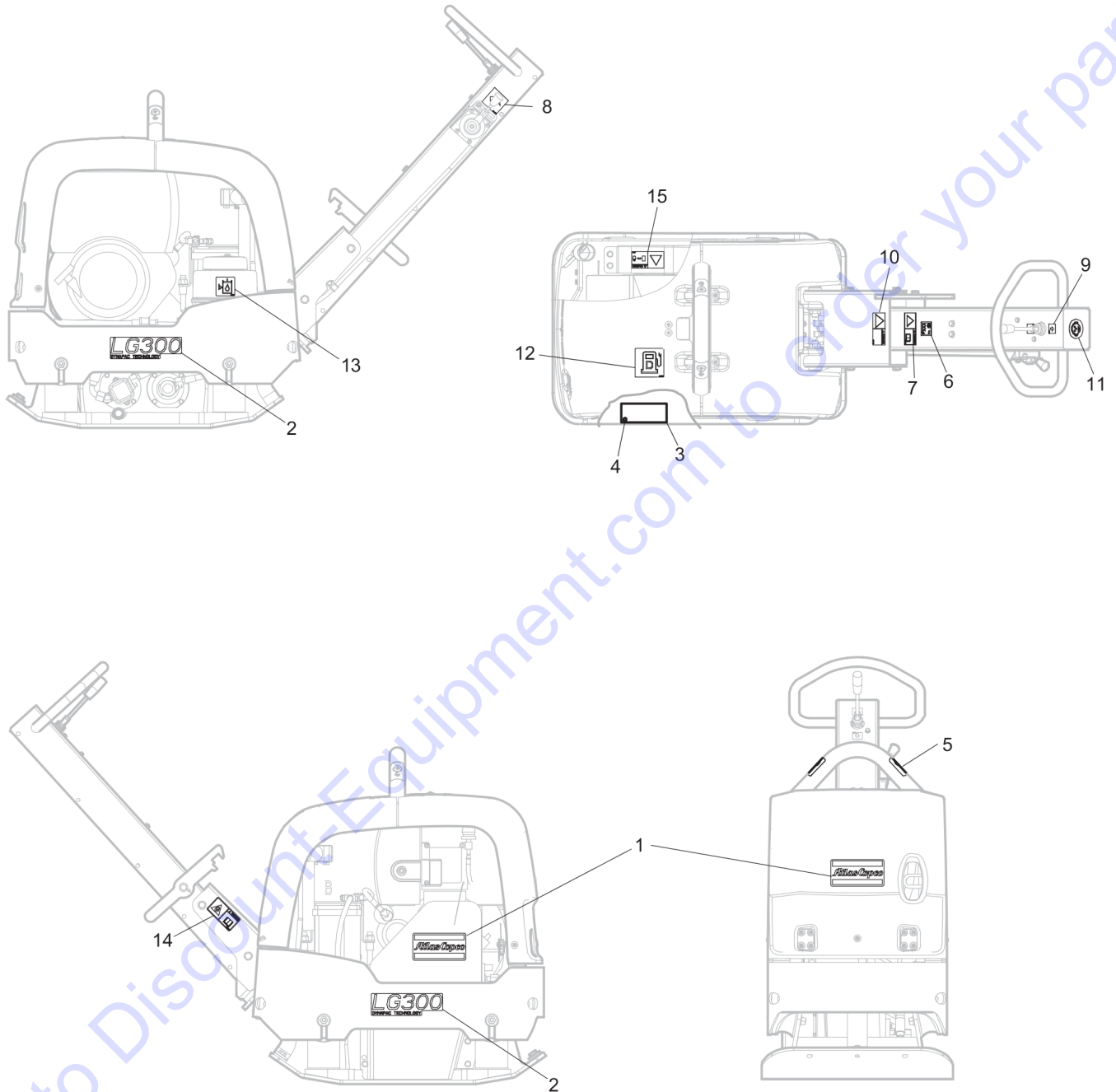


Refer to Parts Online for the most up to date information. The printed information might be outdated.

Wed Jan 13 06:14:39 MST 2016

| Item | Part No. | Name | Qty | L |
|------|------------|---------------------------------------|-----|---|
| 1 | 3382010078 | Product label, "Atlas Copco" | 1 | |
| 2 | 3382010174 | Product label, "LG 300" | 2 | |
| 3 | - | Data plate | 1 | |
| 4 | - | Drive screw | 4 | |
| 5 | 4700357587 | Label lifting point | 2 | |
| 6 | 4700791296 | Sound power label | 1 | |
| 7 | 4700904680 | Safety label, read instruction manual | 1 | D |
| 8 | 4700284285 | Label, engine speed | 1 | |
| 9 | 4700284278 | Label, direction | 2 | |
| 10 | 4700904785 | Safety label, risk of crushing | 1 | |
| 11 | 4700281898 | Label, use ear protectors | 1 | |
| 12 | 3382010175 | Product label, "Atlas Copco" | 1 | |
| 13 | 4700272373 | Label, hydraulic oil level | 1 | J |
| 14 | 4700791366 | Safety label, lock handle | 1 | |
| 15 | 4700903832 | Safety decal | 1 | |

Spare parts list Labels, Hatz

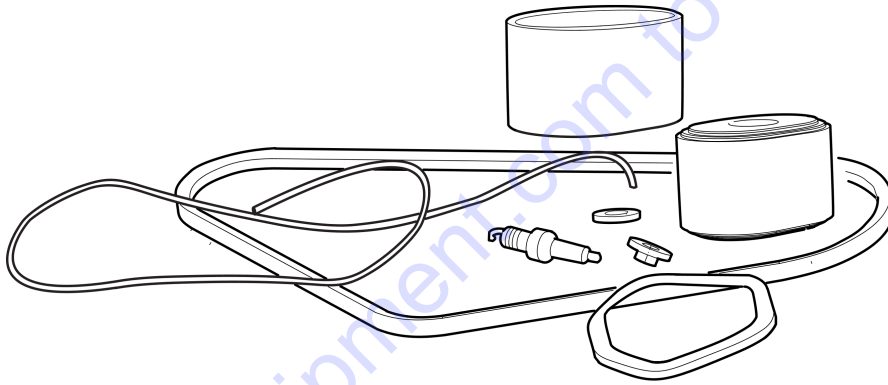


Refer to Parts Online for the most up to date information. The printed information might be outdated.

Wed Jan 13 06:14:40 MST 2016

| Item | Part No. | Name | Qty | L |
|------|------------|---------------------------------------|-----|---|
| 1 | 3382010078 | Product label, "Atlas Copco" | 2 | |
| 2 | 3382010174 | Product label, "LG 300" | 2 | |
| 3 | - | Data plate | 1 | |
| 4 | - | Drive screw | 4 | |
| 5 | 4700357587 | Label lifting point | 2 | |
| 6 | 4700791296 | Sound power label | 1 | |
| 7 | 4700904680 | Safety label, read instruction manual | 1 | |
| 8 | 4700284285 | Label, engine speed | 1 | |
| 9 | 4700284278 | Label, direction | 2 | |
| 10 | 4700904785 | Safety label, risk of crushing | 1 | |
| 11 | 4700281898 | Label, use ear protectors | 1 | |
| 12 | 4700991658 | Decal "FUEL" | 1 | |
| 13 | 4700272373 | Label, hydraulic oil level | 1 | |
| 14 | 4700791366 | Safety label, lock handle | 1 | |
| 15 | 4700903832 | Safety decal | 1 | |

Kits One year service kit, Honda



| Item | Part No. | Name | Qty | L |
|------|------------|----------------------|-----|---|
| 1 | 3382100025 | One year service kit | 1 | |
| 2 | 4700937499 | Air filter, cpl | 5 | |
| 3 | 4700238303 | Gasket | 1 | A |
| 4 | 4700239374 | Starter rope | 1 | |
| 5 | 4700937716 | Spark plug | 1 | |
| 7 | 4700281336 | V-belt | 1 | B |
| 8 | 3382100022 | Gasket | 1 | C |

Comments for Page: One year service kit, Honda

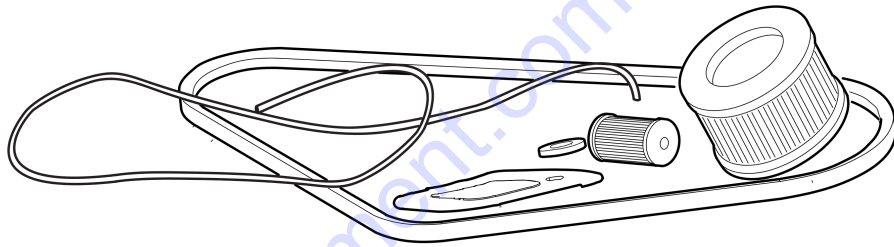
A | For oil dipstick.

B | See section "Engine installation".

C | For valve cover.

Go to Discount-Equipment.com to order your parts

Kits One year service kit, Hatz



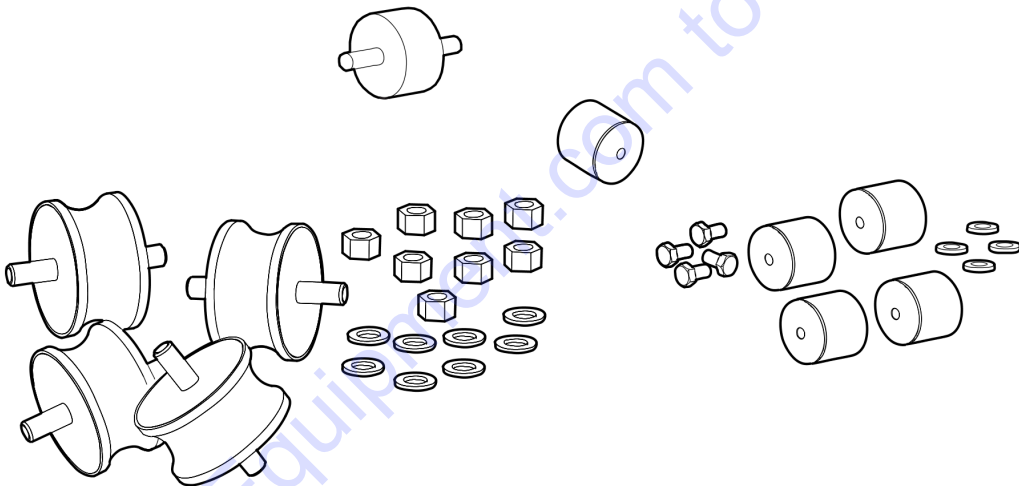
| Item | Part No. | Name | Qty | L |
|------|------------|----------------------|-----|---|
| 1 | 3382100026 | One year service kit | | |
| 2 | 4700937013 | Filter element | 5 | |
| 3 | 4700939618 | Fuel filter | 5 | |
| 4 | 4700937003 | O-ring | 1 | |
| 5 | 4700936989 | Rope | 1 | |
| 6 | 4700281258 | V-belt | 1 | A |
| 7 | 4700950424 | Gasket | 1 | B |

Comments for Page: One year service kit, Hatz

A | See section "Engine installation".

B | For valve cover.

Kits Shock absorber repair kit



| Item | Part No. | Name | Qty | L |
|------|------------|---------------------------------------------------------|-----|------|
| 1 | 3382100031 | Shock absorber repair kit | 1 | |
| 2 | 4700280750 | Shock absorber | 4 | A |
| 3 | - | Nut, M12 A3K | 8 | A |
| 4 | - | Washer, 13 x 30 x 4 mm, 0.51 x 1.18 x 0.16 in. 300 HV | 4 | B |
| 5 | - | Washer, 13 x 24 x 2 mm, 0.51 x 0.94 x 0.08 in. 300 HV | 4 | A |
| 6 | 3382010183 | Shock absorber | 4 | C |
| 7 | - | Screw, M10 x 16 mm 8.8 A3K | 4 | C |
| 8 | - | Washer, 10.5 x 22 x 2 mm, 0.41 x 0.87 x 0.08 in. 300 HV | 4 | C |
| 9 | 4700791373 | Shock absorber | 1 | B, C |
| 10 | 4700385387 | Shock absorber | 1 | B, C |

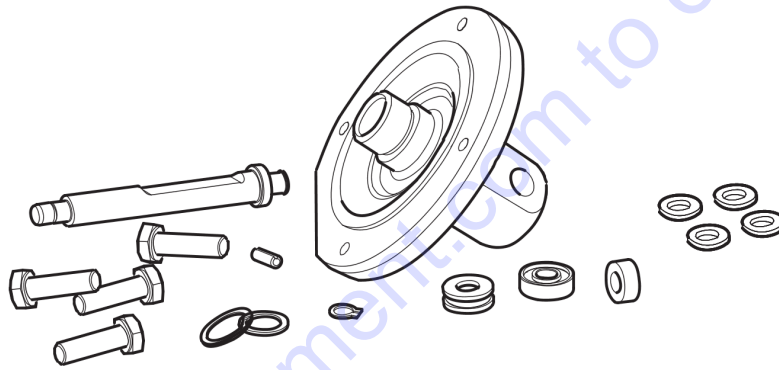
Comments for Page: Shock absorber repair kit

A | See section "Ground plate and eccentric element installation".

B | See section "Engine plate".

C | See section "Handle".

Kits Forward and reverse piston repair kit



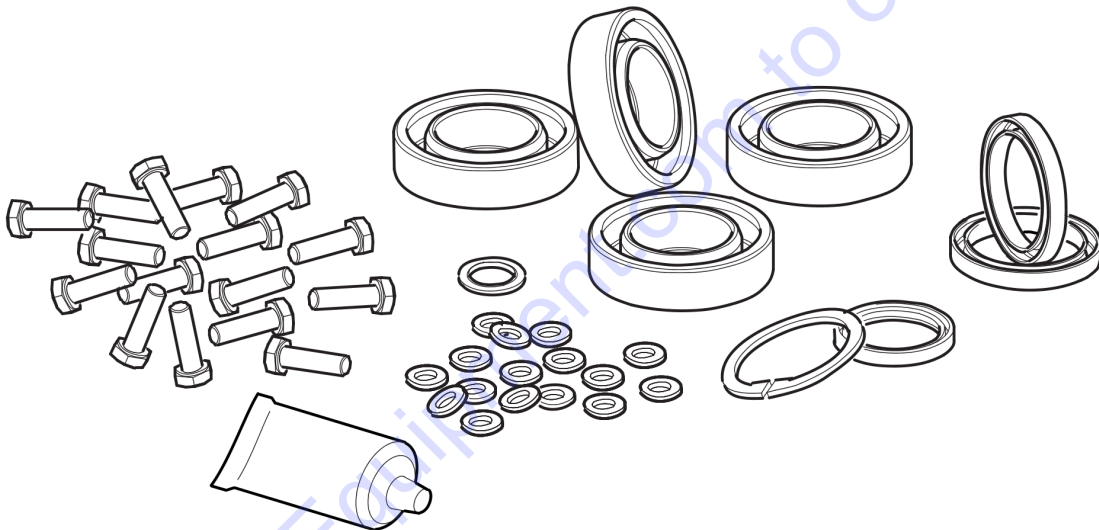
Go to Discount-Equipment.com to order your parts

| Item | Part No. | Name | Qty | L |
|------|------------|---------------------------------------------------------|-----|---|
| 1 | 3382100034 | Forward and reverse piston repair kit | 1 | |
| 2 | 4700281276 | Sealing ring | 1 | A |
| 3 | 4812070051 | Piston rod | 1 | A |
| 4 | 4700151039 | Retaining ring | 1 | A |
| 5 | 4812070359 | Ball bearing | 1 | A |
| 6 | 4700150002 | Retaining ring | 1 | A |
| 7 | 4812070362 | Thrust ball bearing | 1 | A |
| 8 | 4812070363 | Spring washer | 1 | A |
| 9 | 4812070050 | Hydraulic cylinder | 1 | A |
| 10 | 4700629062 | Spring pin | 1 | A |
| 11 | - | Washer, 6.4 x 12 x 1.5 mm 0.25 x 0.47 x 0.06 in. 300 HV | 4 | A |
| 12 | - | Screw, M6 x 20 mm 8.8 A2K | 4 | A |

Comments for Page: Forward and reverse piston repair kit

A | See section "Eccentric element".

Kits Eccentric element repair kit

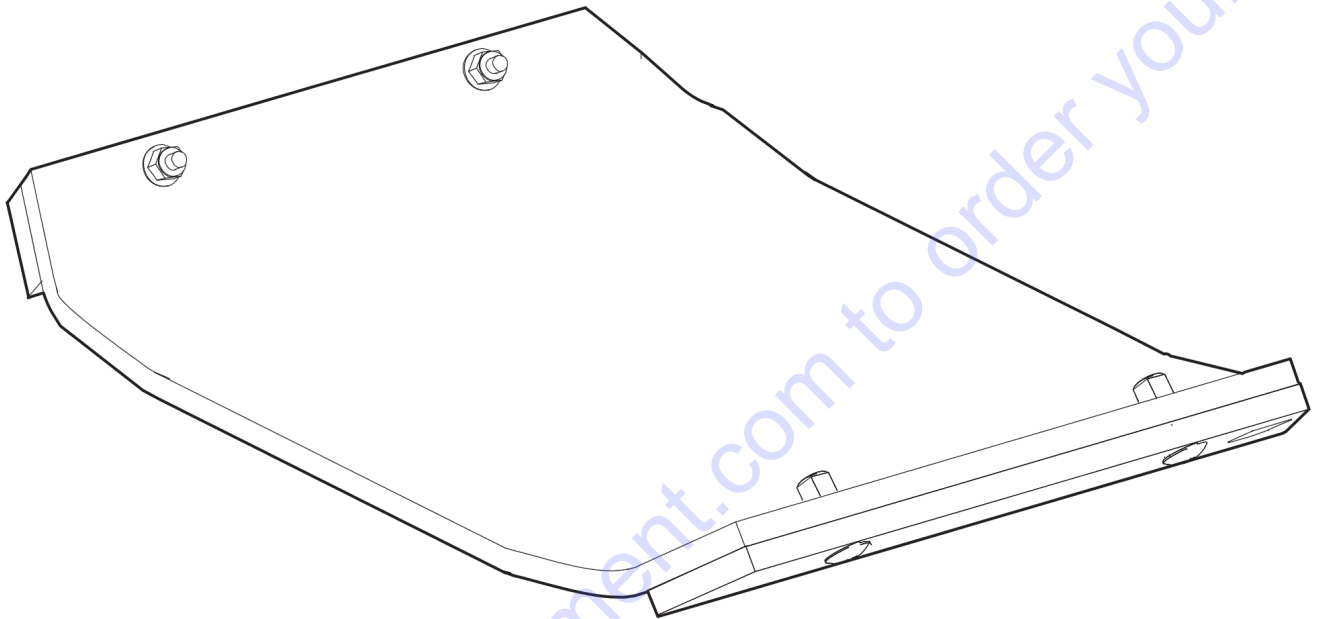


| Item | Part No. | Name | Qty | L |
|------|------------|-----------------------------------------------------------------------|-----|---|
| 1 | 3382100036 | Eccentric element repair kit | 1 | |
| 2 | 4700903363 | Ball bearing | 4 | A |
| 3 | 4700928794 | Sealing ring | 1 | A |
| 4 | 4700929287 | Ball bearing | 2 | A |
| 5 | 4700151007 | Retaining ring | 1 | A |
| 6 | - | Washer, 6.4 x 12 x 1.5 mm, 0.25 x 0.47 x 0.06 in. 300 HV | 16 | A |
| 7 | - | Screw, M6 x 20 mm 8.8 A2K | 16 | A |
| 8 | 4700929906 | Packing | 1 | |
| 9 | - | Copper washer, 16.7 x 24 x 1.5 mm, 0.66 x 0.94 x 0.06 in. TYPE A, M16 | 1 | A |

Comments for Page: Eccentric element repair kit

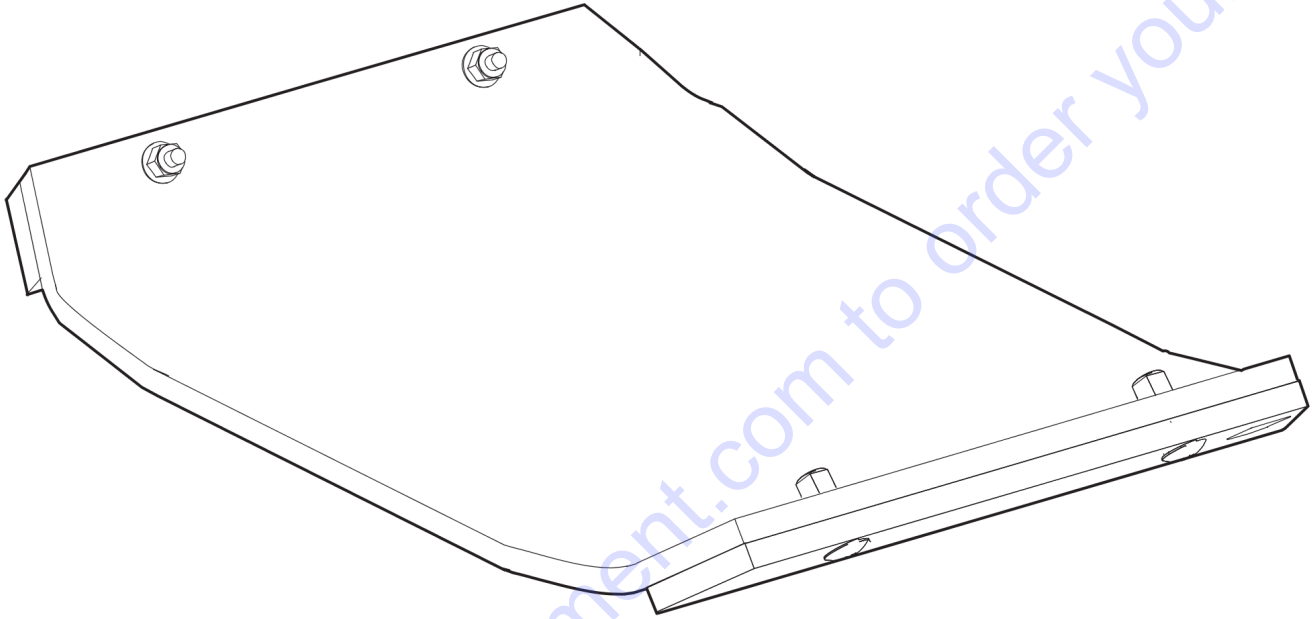
A | See section "Eccentric element".

Kits Block paving plate kit 500 mm (19.7 in.)



| Item | Part No. | Name | Qty | L |
|-----------|------------|--------------------------------------|-----|---|
| 1 | 4700394465 | Block paving plate kit | 1 | |
| Not Shown | - | Polyurethane plate, 500 mm, 19.7 in. | 1 | |
| Not Shown | - | Bracket | 2 | |
| Not Shown | - | Nut, M10 x 1.5 mm A3K | 4 | |
| Not Shown | - | Screw, M10 x 45 mm 4.6 A3K | 4 | |

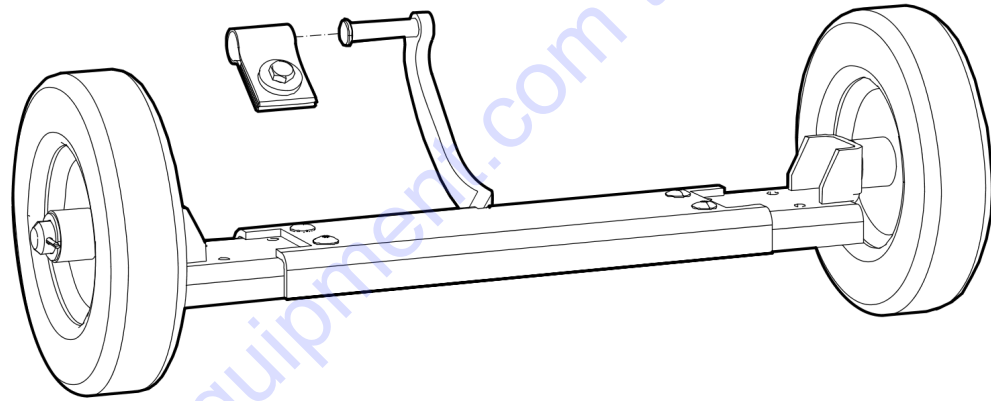
Kits Block paving plate kit 600 mm (23.6 in.)



Go to Discount-Equipment.com to order your parts

| Item | Part No. | Name | Qty | L |
|-----------|------------|--------------------------------------|-----|---|
| 1 | 4700394467 | Block paving plate kit | 1 | |
| Not Shown | - | Polyurethane plate, 600 mm, 23.6 in. | 1 | |
| Not Shown | - | Bracket | 2 | |
| Not Shown | - | Nut, M10 x 1.5 mm A3K | 4 | |
| Not Shown | - | Screw, M10 x 45 mm 4.6 A3K | 4 | |

Kits Transport device kit



| Item | Part No. | Name | Qty | L |
|-----------|------------|--------------------------------------------------------|-----|---|
| 1 | 4700394969 | Transport device kit | 1 | |
| Not Shown | - | Transport device | 1 | |
| Not Shown | - | Strap | 1 | |
| Not Shown | - | Washer, 13 x 36 x 6 mm, 0.51 x 1.42 x 0.24 in. 300 HV | 1 | |
| Not Shown | - | Screw, M12 x 25 mm 8.8 A3K | 1 | |
| Not Shown | - | Screw, M8 x 30 mm 8.8 | 4 | |
| Not Shown | - | Wheel shaft | 2 | |
| Not Shown | - | Washer M8 ISO 7089, 13/25,4x3,4 | 4 | |
| Not Shown | - | Wheel | 2 | |
| Not Shown | - | Split pin | 2 | |
| Not Shown | - | Washer, 8.4 x 22 x 3 mm, 0.33 x 0.87 x 0.12 in. 300 HV | 4 | |
| Not Shown | - | Nut, M8 A2K | 4 | |

PARTS FINDER

**Search Website
by Part Number**



**Search Manual
Library For Parts
Manual & Lookup Part
Numbers – Purchase
or Request Quote**

Search Manuals

Enter your information to help us find the right parts manual for your machine.

* Brand:

* Model:

* Serial:

* Part Number:

SEARCH

**Can't Find Part or
Manual? Request Help
by Manufacturer,
Model & Description**

Parts Order Form

Please fill in the following information to help us find the right part for your machine.

| | |
|---------------|----------------------|
| Manufacturer: | <input type="text"/> |
| Model: | <input type="text"/> |
| Description: | <input type="text"/> |
| Part Number: | <input type="text"/> |
| Quantity: | <input type="text"/> |
| Notes: | <input type="text"/> |

Submit

Discount-Equipment.com is your online resource for quality parts & equipment.

Florida: **561-964-4949** Outside Florida TOLL FREE: **877-690-3101**

Need parts?

Click on this link: <http://www.discount-equipment.com/category/5443-parts/> and choose one of the options to help get the right parts and equipment you are looking for. Please have the machine model and serial number available in order to help us get you the correct parts. If you don't find the part on the website or on one of the online manuals, please fill out the request form and one of our experienced staff members will get back to you with a quote for the right part that your machine needs.

We sell worldwide for the brands: Genie, Terex, JLG, MultiQuip, Mikasa, Essick, Whiteman, Mayco, Toro Stone, Diamond Products, Generac Magnum, Airman, Haulotte, Barreto, Power Blanket, Nifty Lift, Atlas Copco, Chicago Pneumatic, Allmand, Miller Curber, Skyjack, Lull, Skytrak, Tsurumi, Husquvarna Target, Stow, Wacker, Sakai, Mi-T-M, Sullair, Basic, Dynapac, MBW, Weber, Bartell, Bennar Newman, Haulotte, Ditch Runner, Menegotti, Morrison, Contec, Buddy, Crown, Edco, Wyco, Bomag, Laymor, EZ Trench, Bil-Jax, F.S. Curtis, Gehl Pavers, Heli, Honda, ICS/PowerGrit, IHI, Partner, Imer, Clipper, MMD, Koshin, Rice, CH&E, General Equipment, Amida, Coleman, NAC, Gradall, Square Shooter, Kent, Stanley, Tamco, Toku, Hatz, Kohler, Robin, Wisconsin, Northrock, Oztec, Toker TK, Rol-Air, APT, Wylie, Ingersoll Rand / Doosan, Innovatech, Con X, Ammann, Mecalac, Makinex, Smith Surface Prep, Small Line, Wanco, Yanmar